

Switch TWT Amp in use ON
 File: H_LEO_TTC_TWT1.xls
 Author: E. Picallo



Procedure Summary

Objectives

This procedure describes the steps needed to re-inforce the switch of the TWT Amp in use ON.

Summary of Constraints

The S/C separation Sequence commands the TWTA ON 19 sec after separation. This action is performed by the CDMU RM. Thus the related entry in the UIU table is not updated i.e TWT Amp 1 remains OFF in the UIU.

Therefore the TWT Amp in use needs to be set ON in the UIU table by Ground during the first visibility period.

Spacecraft Configuration

Start of Procedure

CDMU in default configuration;
 TWT Amp 1 status ON;
 TWT Amp 1 mark OFF in the UIU

End of Procedure

CDMU in default configuration;
 TWT Amp 1 status ON;
 TWT Amp 1 mark ON in the UIU

Reference File(s)

Input Command Sequences

Output Command Sequences

HLRTWT1

Referenced Displays

ANDs **GRDs** **SLDs**
 ZAZ7J999
 ZAZ7M999

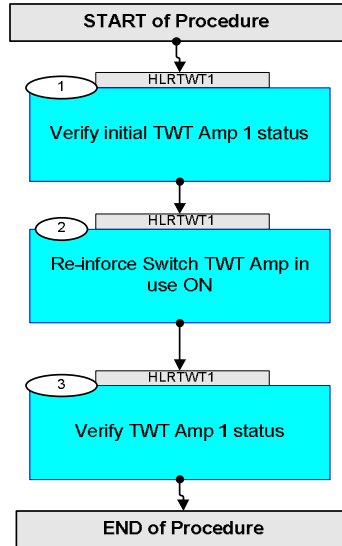
Configuration Control Information

DATE	FOP ISSUE	VERSION	MODIFICATION DESCRIPTION	AUTHOR	SPR REF
24/09/08	2	1	Created	E. Picallo	

Switch TWT Amp in use ON
File: H_LEO_TTC_TWT1.xls
Author: E. Picallo



Procedure Flowchart Overview



Switch TWT Amp in use ON
 File: H_LEO_TTC_TWT1.xls
 Author: E. Picallo



Step No.	Time	Activity/Remarks	TC/TLM	Display/ Branch
Beginning of Procedure				
TC Seq. Name :HLRTWT1 (Switch TWTamp ON)				
TimeTag Type: N Sub Schedule ID: □				
1		Verify initial TWT Amp 1 status		Next Step: 2
		Verify TWT1 Status Telemetry TWT1_ONOFF_STS RMB09439	= ON	AND=ZAZ7J999
		Verify Telemetry TwtAmp1FuncSts DEH13170	= Off	AND=ZAZ7M999
2		Re-inforce Switch TWT Amp in use ON		Next Step: 3
Switching ON TWT Amplifier, marks it ON in UIU table				
		Execute Telecommand TtcCommandUnitOn_Templ Command Parameter(s) : TTCUnitCode DH016170 TC Control Flags : GBM IL DSE --Y -- --- Subsch. ID : 10 Det. descr. : TEMPLATE Ttc Command Unit On TC(8,4,115,2)	DCT13170 TWTamp in use	
3		Verify TWT Amp 1 status		Next Step: END
		Verify TWT1 Status Telemetry TWT1_ONOFF_STS RMB09439	= ON	AND=ZAZ7J999
		Verify Telemetry TwtAmp1FuncSts DEH13170	= On	AND=ZAZ7M999
End of Procedure				