

SMEC_OFF - Switch OFF the SMEC
 File: H_FCP_SPI_SMCF.xls
 Author: R. Biggins



Procedure Summary

Objectives

The objective of this procedure is to switch OFF the spectrometer mechanism (SMEC)

Summary of Constraints

n/a

Spacecraft Configuration

Start of Procedure

SPIRE is in SMEC_ON mode

End of Procedure

SPIRE is in SMEC_OFF mode

Reference File(s)

Input Command Sequences

Output Command Sequences

HFSSMCF

Referenced Displays

ANDs **GRDs** **SLDs**
 ZAZ94999

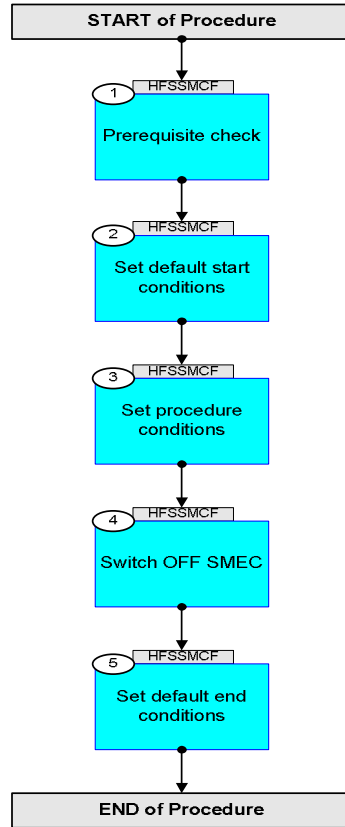
Configuration Control Information

DATE	FOP ISSUE	VERSION	MODIFICATION DESCRIPTION	AUTHOR	SPR REF
07/08/07		1	Created	R. Biggins	
15/01/08		2	Update due to initial testing against the simulator: - TCs updated due to new DB	R. Biggins	
23/01/08		3	Update due to changes in input file (SMEC_OFF: version 3) - Execution times removed	R. Biggins	
22/02/08		4	<input type="checkbox"/> Update due to testing against MOC Simulator: - Time Tags updated - BBID/OBSID TM checks added - Editorial updates	R. Biggins	
03/03/08		5	Update due to comments by S. Sidher: - Set_OBS_Mode telecommadn moved from step 3 to step 4	R. Biggins	
19/05/08	1	6	Updates due to SVT-1 testing: - TM checks added to RESET_DRCU_COUNTERS TC - radices for telemetry parameters in step 4 updated - Default OBISD value updated to 0x0000 0000 - flags updated - comment added - AND updated for all TM parameters	R. Biggins	

SMEC_OFF - Switch OFF the SMEC
File: H_FCP_SPI_SMCF.xls
Author: R. Biggins



Procedure Flowchart Overview



SMEC_OFF - Switch OFF the SMEC
 File: H_FCP_SPI_SMCF.xls
 Author: R. Biggins



Step No.	Time	Activity/Remarks	TC/TLM	Display/ Branch
Beginning of Procedure				
HFSSMCF Switch OFF SMEC				
SSID :				
1		Prerequisite check		Next Step: 2
		Verify Telemetry MODE SM00M500	= SDET_OFF	AND=ZAZ94999
2		Set default start conditions		Next Step: 3
		Note that a TM(5,1) packet [New_Step_Report] is generated after each of the following SET_OBS_STEP telecommands		
	ET=+ UT=+00.00.00	SET_OBS_STEP Command Parameter(s) : OBSERVATION_STEP SP03N500 SSID : 370	SET_OBS_STEP SC003500 0 <hex>	
	ET=+ UT=+00.00.01	SET_BBID Command Parameter(s) : BUILDING_BLOCK_ID SP01N500 SSID : 370	SET_BBID SC001500 80010001 <hex>	
		Verify Telemetry BBFULLTYPE SM2LN500	= ClearObs	AND=ZAZ94999
	ET=+ UT=+00.00.00	SET_OBS_STEP Command Parameter(s) : OBSERVATION_STEP SP03N500 SSID : 370	SET_OBS_STEP SC003500 1 <hex>	
	ET=+ UT=+00.00.01	SET_OBSID Command Parameter(s) : OBSERVATION_ID SP00N500 SSID : 370	SET_OBSID SC000500 B0000000 <hex>	
		Verify Telemetry OBSID SM10N500	= B0000000 <hex>	AND=ZAZ94999

SMEC_OFF - Switch OFF the SMEC
 File: H_FCP_SPI_SMCF.xls
 Author: R. Biggins



Step No.	Time	Activity/Remarks	TC/TLM	Display/ Branch
	ET=+ UT=+00.00.00	SET_OBS_STEP SET_OBS_STEP Command Parameter(s) : OBSERVATION_STEP SP03N500 SSID : 370	SC003500 0 <hex>	
	ET=+ UT=+00.00.01	SET_BBID SET_BBID Command Parameter(s) : BUILDING_BLOCK_ID SP01N500 SSID : 370	SC001500 80000000 <hex>	
		Verify Telemetry BBFULLTYPE SM2LN500	= Null	AND=ZAZ94999
	ET=+ UT=+00.00.00	SET_OBS_STEP SET_OBS_STEP Command Parameter(s) : OBSERVATION_STEP SP03N500 SSID : 370	SC003500 0 <hex>	
	ET=+ UT=+00.00.01	SET_BBID SET_BBID Command Parameter(s) : BUILDING_BLOCK_ID SP01N500 SSID : 370	SC001500 80020001 <hex>	
		Verify Telemetry BBFULLTYPE SM2LN500	= StartObs	AND=ZAZ94999
3		Set procedure conditions		Next Step: 4
	ET=+ UT=+00.00.00	RESET_DRCU_COUNTERS RESET_DRCU_COUNTERS SSID : 370	SCD00505	
		Verify that the TRESET parameter has the same value as the THSK parameter TRESET SM01T500	same as THSK	AND=ZAZ94999
		THSK SM00T500	any	AND=ZAZ94999
		Note that a TM(5,1) packet [New_Step_Report] is generated after each of the following SET_OBS_STEP telecommands		

SMEC_OFF - Switch OFF the SMEC
 File: H_FCP_SPI_SMCF.xls
 Author: R. Biggins



Step No.	Time	Activity/Remarks	TC/TLM	Display/ Branch
	ET=+ UT=+00.00.00	SET_OBS_STEP Command Parameter(s) : OBSERVATION_STEP SSID : 370	SET_OBS_STEP SP03N500 1 <hex>	SC003500
	ET=+ UT=+00.00.01	SET_OBSID Command Parameter(s) : OBSERVATION_ID SSID : 370	SET_OBSID SP00N500 OBS_ID	SC000500
		Verify Telemetry OBSID SM10N500	OBS_ID	AND=ZAZ94999
	ET=+ UT=+00.00.00	SET_OBS_STEP Command Parameter(s) : OBSERVATION_STEP SSID : 370	SET_OBS_STEP SP03N500 0 <hex>	SC003500
	ET=+ UT=+00.00.01	SET_BBID Command Parameter(s) : BUILDING_BLOCK_ID SSID : 370	SET_BBID SP01N500 80000000 <hex>	SC001500
		Verify Telemetry BBFULLTYPE SM2LN500	= Null	AND=ZAZ94999
	ET=+ UT=+00.00.00	SET_OBS_STEP Command Parameter(s) : OBSERVATION_STEP SSID : 370	SET_OBS_STEP SP03N500 0 <hex>	SC003500
	ET=+ UT=+00.00.01	SET_BBID Command Parameter(s) : BUILDING_BLOCK_ID SSID : 370	SET_BBID SP01N500 820A0001 <hex>	SC001500
		Verify Telemetry BBFULLTYPE SM2LN500	= SMEC_Off	AND=ZAZ94999
4		Switch OFF SMEC		Next Step: 5

SMEC_OFF - Switch OFF the SMEC
 File: H_FCP_SPI_SMCF.xls
 Author: R. Biggins



Step No.	Time	Activity/Remarks	TC/TLM	Display/ Branch
	ET=+ UT=+00.00.01	Sent DRCU command to SetSTrajMode SEND_DRCU_COMMAND Command Parameter(s) : DRCUCOMMAND SPD4N505 OVERRIDE SPD9N505 SSID : 370	SCD06505 90490000 <hex> 0 <hex> (Def)	
		Verify Telemetry SCANMODE SMS2M515	= STOP	AND=ZAZ94999
	ET=+ UT=+00.00.01	Sent DRCU command to SetSTrajEndPosition SEND_DRCU_COMMAND Command Parameter(s) : DRCUCOMMAND SPD4N505 OVERRIDE SPD9N505 SSID : 370	SCD06505 904503E8 <hex> 0 <hex> (Def)	
		Verify Telemetry SCANEND SMS1P515	= 1.0000 mm	AND=ZAZ94999
	ET=+ UT=+00.00.01	Sent DRCU command to SetSTrajStartPosition SEND_DRCU_COMMAND Command Parameter(s) : DRCUCOMMAND SPD4N505 OVERRIDE SPD9N505 SSID : 370	SCD06505 90460000 <hex> 0 <hex> (Def)	
		Verify Telemetry SCANSTART SMS0P515	= 0.0000 mm	AND=ZAZ94999
	ET=+ UT=+00.00.01	Sent DRCU command to SetScanFwdSpeed SEND_DRCU_COMMAND Command Parameter(s) : DRCUCOMMAND SPD4N505 OVERRIDE SPD9N505 SSID : 370	SCD06505 90471388 <hex> 0 <hex> (Def)	
		Verify Telemetry SCANFSPEED SMS0S515	= 0.5000 mm/s	AND=ZAZ94999
	ET=+ UT=+00.00.01	Sent DRCU command to SetSTrajMode SEND_DRCU_COMMAND Command Parameter(s) : DRCUCOMMAND SPD4N505 OVERRIDE SPD9N505 SSID : 370	SCD06505 90490001 <hex> 0 <hex> (Def)	
		Verify Telemetry SCANMODE SMS2M515	= STEP	AND=ZAZ94999

SMEC_OFF - Switch OFF the SMEC
 File: H_FCP_SPI_SMCF.xls
 Author: R. Biggins



Step No.	Time	Activity/Remarks	TC/TLM	Display/ Branch
	ET=+ UT=+00.00.10	Sent DRCU command to SetSLoopMode SEND_DRCU_COMMAND Command Parameter(s) : DRCUCOMMAND SPD4N505 OVERRIDE SPD9N505 SSID : 370	SCD06505 90440006 <hex> 0 <hex> (Def)	
		Verify Telemetry SMECLOOPMODE SMS1M515	= OPENFEEDCBEMF	AND=ZAZ94999
	ET=+ UT=+00.00.01	Sent DRCU command to SetSEncoderPwr SEND_DRCU_COMMAND Command Parameter(s) : DRCUCOMMAND SPD4N505 OVERRIDE SPD9N505 SSID : 370	SCD06505 90400000 <hex> 0 <hex> (Def)	
		Verify Telemetry SMECENCPWR SMS0W515	= 0.00 uW	AND=ZAZ94999
	ET=+ UT=+00.00.01	Sent DRCU command to SetSLVDPwr SEND_DRCU_COMMAND Command Parameter(s) : DRCUCOMMAND SPD4N505 OVERRIDE SPD9N505 SSID : 370	SCD06505 90410000 <hex> 0 <hex> (Def)	
		Verify Telemetry SMECLVDPWR SMS1W515	= OFF	AND=ZAZ94999
	ET=+ UT=+00.00.00	SET_OBS_MODE SET_OBS_MODE Command Parameter(s) : OBSERVING_MODE SP02N500 SSID : 370	SC002500 2FC <hex>	
		Verify Telemetry MODE SM00M500	= SMEC_OFF	AND=ZAZ94999
5		Set default end conditions		Next Step: END
		Note that a TM(5,1) packet [New_Step_Report] is generated after each of the following SET_OBS_STEP telecommands		

SMEC_OFF - Switch OFF the SMEC
 File: H_FCP_SPI_SMCF.xls
 Author: R. Biggins



Step No.	Time	Activity/Remarks	TC/TLM	Display/ Branch
	ET=+ UT=+00.00.00	SET_OBS_STEP SET_OBS_STEP Command Parameter(s) : OBSERVATION_STEP SP03N500 SSID : 370	SC003500 0 <hex>	
	ET=+ UT=+00.00.01	SET_BBID SET_BBID Command Parameter(s) : BUILDING_BLOCK_ID SP01N500 SSID : 370	SC001500 80000000 <hex>	
		Verify Telemetry BBFULLTYPE SM2LN500	= Null	AND=ZAZ94999
	ET=+ UT=+00.00.00	SET_OBS_STEP SET_OBS_STEP Command Parameter(s) : OBSERVATION_STEP SP03N500 SSID : 370	SC003500 0 <hex>	
	ET=+ UT=+00.00.01	SET_BBID SET_BBID Command Parameter(s) : BUILDING_BLOCK_ID SP01N500 SSID : 370	SC001500 80030001 <hex>	
		Verify Telemetry BBFULLTYPE SM2LN500	= EndObs	AND=ZAZ94999
	ET=+ UT=+00.00.00	SET_OBS_STEP SET_OBS_STEP Command Parameter(s) : OBSERVATION_STEP SP03N500 SSID : 370	SC003500 1 <hex>	
	ET=+ UT=+00.00.01	SET_OBSID SET_OBSID Command Parameter(s) : OBSERVATION_ID SP00N500 SSID : 370	SC000500 00000000 <hex>	
		Verify Telemetry OBSID SM10N500	= 00000000 <hex>	AND=ZAZ94999

SMEC_OFF - Switch OFF the SMEC
 File: H_FCP_SPI_SMCF.xls
 Author: R. Biggins



Step No.	Time	Activity/Remarks	TC/TLM	Display/ Branch
	ET=+ UT=+00.00.00	SET_OBS_STEP SET_OBS_STEP Command Parameter(s) : OBSERVATION_STEP SP03N500 SSID : 370	SC003500 0 <hex>	
	ET=+ UT=+00.00.01	SET_BBID SET_BBID Command Parameter(s) : BUILDING_BLOCK_ID SP01N500 SSID : 370	SC001500 80000000 <hex>	
		Verify Telemetry BBFULLTYPE SM2LN500	= Null	AND=ZAZ94999
End of Procedure				