

SDET\_OFF - Switch OFF the Spectrometer  
 File: H\_FCP\_SPI\_SDEF.xls  
 Author: R. Biggins



## Procedure Summary

### Objectives

The objective of this procedure is to switch OFF the Spectrometer Detectors (SDET)

### Summary of Constraints

n/a

### Spacecraft Configuration

#### Start of Procedure

SPIRE is in SPECSTBY mode

#### End of Procedure

SPIRE is in SDET\_OFF mode

### Reference File(s)

#### Input Command Sequences

#### Output Command Sequences

HFSSDEF

### Referenced Displays

**ANDs**      **GRDs**      **SLDs**  
 ZAZ93999

### Configuration Control Information

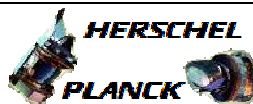
| DATE     | FOP ISSUE | VERSION | MODIFICATION DESCRIPTION   | AUTHOR     | SPR REF |
|----------|-----------|---------|--|------------|---------|
| 07/08/07 |           | 1       | Created  | R. Biggins |         |
| 15/01/08 |           | 2       | Update due to initial testing against the simulator:<br>- TCs updated due to new DB  | R. Biggins |         |
| 24/01/08 |           | 3       | Update due to changes in input file (SDET_OFF: version 4)<br>- Execution times removed<br>- Update to DRCU Commands<br>- Additional DRCU Command TCs added | R. Biggins |         |
| 22/02/08 |           | 4       | Update due to testing against MOC Simulator:<br>- Time Tags updated<br>- BBID/OBSID TM checks added<br>- Editorial updates                                 | R. Biggins |         |
| 03/03/08 |           | 5       | Update due to comments by S. Sidher:<br>- Editorial updates  | R. Biggins |         |

SDET\_OFF - Switch OFF the Spectrometer  
 File: H\_FCP\_SPI\_SDEF.xls  
 Author: R. Biggins

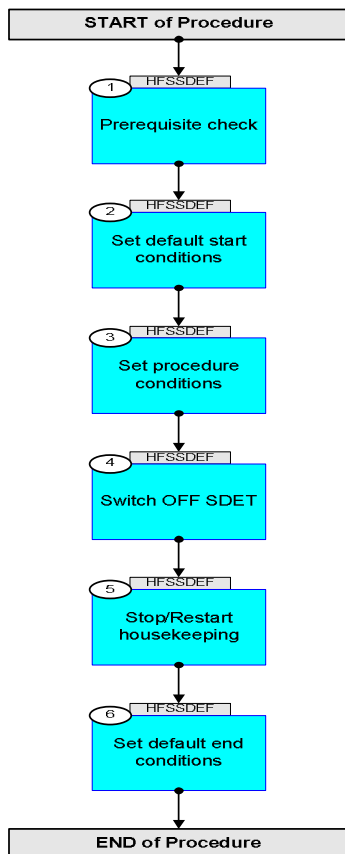


|          |     |      |   |            |  |
|----------|-----|------|---|------------|--|
|          |     |      | Updates due to SVT-1 testing: <ul style="list-style-type: none"> <li>- TM checks added to RESET_DRCU_COUNTERS TC</li> <li>- All DRCU commands in step 4.1 have been set for automatic dispatch with telemetry checks being moved to step 4.2</li> <li>- Telecommands to stop/start Nominal HK packet production is moved to new step (5)</li> <li>- DEFINE_NEW_HK_REPORT parameter [TABLE_ID] updated (=1)</li> <li>- Default OBSID value updated to 0x0000 0000</li> <li>- flags updated</li> <li>- comments added/updated</li> <li>- AND updated for all TM parameters</li> </ul> |            |  |
| 19/05/08 | 1   | 6    |   | R. Biggins |  |
| 25/03/09 | 2.2 | 6.01 | Validation : Automatic SPID Update  | L.Lucas-hp |  |

SDET\_OFF - Switch OFF the Spectrometer  
File: H\_FCP\_SPI\_SDEF.xls  
Author: R. Biggins



### Procedure Flowchart Overview



SDET\_OFF - Switch OFF the Spectrometer  
 File: H\_FCP\_SPI\_SDEF.xls  
 Author: R. Biggins



| Step No.                                     | Time                 | Activity/Remarks   | TC/TLM   | Display/ Branch |
|--|----------------------|--|--|-----------------|
| <b>Beginning of Procedure</b>                |                      |  |  |                 |
| TC Seq. Name : HFSSDEF (Switch OFF SDET)     |                      |  |  |                 |
| TimeTag Type: N<br>Sub Schedule ID:<br><br>□ |                      |  |  |                 |
| 1  |                      | Prerequisite check   |  | Next Step:<br>2 |
|  |                      | Verify Telemetry<br><br><b>MODE</b> <b>SM00M500</b>  | <b>= SPECSTBY</b>                                  | AND=ZAZ93999    |
| 2  |                      | Set default start conditions   |  | Next Step:<br>3 |
|  |                      | Note that a <b>TM(5,1)</b> packet [New_Step_Report] is generated after each of the following SET_OBS_STEP telecommands   |  |                 |
|  | ET=+<br>UT=+00.00.00 | SET_OBS_STEP<br><br><b>SET_OBS_STEP</b><br><br>Command Parameter(s) :<br><b>OBSERVATION_STEP</b> <b>SP03N500</b><br><br>Subsch. ID : 370<br>Det. descr. : SET OBSERVATION STEP   | <b>SC003500</b><br><br><b>0 &lt;hex&gt;</b>        |                 |
|  | ET=+<br>UT=+00.00.01 | SET_BBID<br><br><b>SET_BBID</b><br><br>Command Parameter(s) :<br><b>BUILDING_BLOCK_ID</b> <b>SP01N500</b><br><br>Subsch. ID : 370<br>Det. descr. : SET BUILDING BLOCK IDENTIFIER | <b>SC001500</b><br><br><b>80010001 &lt;hex&gt;</b> |                 |
|  |                      | Verify Telemetry<br><br><b>BBFULLTYPE</b> <b>SM2LN500</b>  | <b>= ClearObs</b>                                  | AND=ZAZ93999    |
|  | ET=+<br>UT=+00.00.00 | SET_OBS_STEP<br><br><b>SET_OBS_STEP</b><br><br>Command Parameter(s) :<br><b>OBSERVATION_STEP</b> <b>SP03N500</b><br><br>Subsch. ID : 370<br>Det. descr. : SET OBSERVATION STEP   | <b>SC003500</b><br><br><b>1 &lt;hex&gt;</b>        |                 |
|  | ET=+<br>UT=+00.00.01 | SET_OBSID<br><br><b>SET_OBSID</b><br><br>Command Parameter(s) :<br><b>OBSERVATION_ID</b> <b>SP00N500</b><br><br>Subsch. ID : 370<br>Det. descr. : SET OBSERVATION IDENTIFIER     | <b>SC000500</b><br><br><b>00000000 &lt;hex&gt;</b> |                 |

SDET\_OFF - Switch OFF the Spectrometer  
 File: H\_FCP\_SPI\_SDEF.xls  
 Author: R. Biggins



| Step No. | Time                 | Activity/Remarks  | TC/TLM                     | Display/ Branch |
|----------|----------------------|---|----------------------------|-----------------|
|          |                      | Verify Telemetry<br>OBSID SM10N500  | = 00000000 <hex>           | AND=ZAZ93999    |
|          | ET=+<br>UT=+00.00.00 | SET_OBS_STEP<br>SET_OBS_STEP<br>Command Parameter(s) :<br>OBSERVATION_STEP SP03N500<br>Subsch. ID : 370<br>Det. descr. : SET OBSERVATION STEP   | SC003500<br>0 <hex>        |                 |
|          | ET=+<br>UT=+00.00.01 | SET_BBID<br>SET_BBID<br>Command Parameter(s) :<br>BUILDING_BLOCK_ID SP01N500<br>Subsch. ID : 370<br>Det. descr. : SET BUILDING BLOCK IDENTIFIER | SC001500<br>80000000 <hex> |                 |
|          |                      | Verify Telemetry<br>BBFULLTYPE SM2LN500   | = Null                     | AND=ZAZ93999    |
|          | ET=+<br>UT=+00.00.00 | SET_OBS_STEP<br>SET_OBS_STEP<br>Command Parameter(s) :<br>OBSERVATION_STEP SP03N500<br>Subsch. ID : 370<br>Det. descr. : SET OBSERVATION STEP   | SC003500<br>0 <hex>        |                 |
|          | ET=+<br>UT=+00.00.01 | SET_BBID<br>SET_BBID<br>Command Parameter(s) :<br>BUILDING_BLOCK_ID SP01N500<br>Subsch. ID : 370<br>Det. descr. : SET BUILDING BLOCK IDENTIFIER | SC001500<br>80020001 <hex> |                 |
|          |                      | Verify Telemetry<br>BBFULLTYPE SM2LN500   | = StartObs                 | AND=ZAZ93999    |
| 3        |                      | Set procedure conditions  |                            | Next Step:<br>4 |
|          | ET=+<br>UT=+00.00.00 | RESET_DRCU_COUNTERS<br>RESET_DRCU_COUNTERS<br>Subsch. ID : 370<br>Det. descr. : RESET DRCU COUNTERS   | SCD00505                   |                 |
|          |                      | Verify that the TRESET parameter has the same value as the THSK parameter<br>TRESET SM01T500  | same as THSK               | AND=ZAZ93999    |
|          |                      | THSK SM00T500   | any                        | AND=ZAZ93999    |

SDET\_OFF - Switch OFF the Spectrometer  
 File: H\_FCP\_SPI\_SDEF.xls  
 Author: R. Biggins



| Step No. | Time                 | Activity/Remarks   | TC/TLM                         | Display/ Branch |
|----------|----------------------|--|--------------------------------|-----------------|
|          |                      | Note that a <b>TM(5,1)</b> packet [New_Step_Report] is generated after each of the following SET_OBS_STEP telecommands   |                                |                 |
|          | ET=+<br>UT=+00.00.00 | SET_OBS_STEP<br><br>Command Parameter(s) :<br>OBSERVATION_STEP                      SP03N500<br><br>Subsch. ID : 370<br>Det. descr. : SET OBSERVATION STEP       | SC003500<br><br>1 <hex>        |                 |
|          | ET=+<br>UT=+00.00.01 | SET_OBSID<br><br>Command Parameter(s) :<br>OBSERVATION_ID                      SP00N500<br><br>Subsch. ID : 370<br>Det. descr. : SET OBSERVATION IDENTIFIER      | SC000500<br><br>OBS_ID         |                 |
|          |                      | Verify Telemetry<br><br>OBSID                      SM10N500  | OBS_ID                         | AND=ZAZ93999    |
|          | ET=+<br>UT=+00.00.00 | SET_OBS_STEP<br><br>Command Parameter(s) :<br>OBSERVATION_STEP                      SP03N500<br><br>Subsch. ID : 370<br>Det. descr. : SET OBSERVATION STEP       | SC003500<br><br>0 <hex>        |                 |
|          | ET=+<br>UT=+00.00.01 | SET_BBID<br><br>Command Parameter(s) :<br>BUILDING_BLOCK_ID                      SP01N500<br><br>Subsch. ID : 370<br>Det. descr. : SET BUILDING BLOCK IDENTIFIER | SC001500<br><br>80000000 <hex> |                 |
|          |                      | Verify Telemetry<br><br>BBFULLTYPE                      SM2LN500   | = Null                         | AND=ZAZ93999    |
|          | ET=+<br>UT=+00.00.00 | SET_OBS_STEP<br><br>Command Parameter(s) :<br>OBSERVATION_STEP                      SP03N500<br><br>Subsch. ID : 370<br>Det. descr. : SET OBSERVATION STEP       | SC003500<br><br>0 <hex>        |                 |

SDET\_OFF - Switch OFF the Spectrometer  
 File: H\_FCP\_SPI\_SDEF.xls  
 Author: R. Biggins



| Step No. | Time                 | Activity/Remarks   | TC/TLM  | Display/ Branch              |
|----------|----------------------|--|---|------------------------------|
|          | ET=+<br>UT=+00.00.01 | SET_BBID<br><br>Command Parameter(s) :<br>BUILDING_BLOCK_ID<br><br>Subsch. ID : 370<br>Det. descr. : SET BUILDING BLOCK IDENTIFIER   | SET_BBID<br><br>SP01N500<br><br>86030001 <hex>              | SC001500                     |
|          |                      | Verify Telemetry<br><br>BBFULLTYPE   | SM2LN500  | = SF_BDA_Off<br>AND=ZAZ93999 |
|          | ET=+<br>UT=+00.00.00 | SET_OBS_MODE<br><br>Command Parameter(s) :<br>OBSERVING_MODE<br><br>Subsch. ID : 370<br>Det. descr. : SET OBSERVING MODE   | SET_OBS_MODE<br><br>SP02N500<br><br>2fd <hex>               | SC002500                     |
|          |                      | Verify Telemetry<br><br>MODE   | SM00M500  | = SDET_OFF<br>AND=ZAZ93999   |
| 4        |                      | Switch OFF SDET  |   | Next Step:<br>5              |
| 4.1      |                      | Send DRCU commands   |   | <input type="checkbox"/>     |
|          | ET=+<br>UT=+00.00.01 | SetSLW/SSW JFET Drain Bias Voltage settings<br><br>SEND_DRCU_COMMAND<br><br>Command Parameter(s) :<br>DRCUCOMMAND<br>OVERRIDE<br><br>Subsch. ID : 370<br>Det. descr. : SEND A SINGLE COMMAND TO THE DRCU | SPD4N505<br>SPD9N505<br><br>84370001 <hex><br>0 <hex> (Def) | SCD06505                     |
|          | ET=+<br>UT=+00.00.01 | SetSSW JFET Source Voltage for Channel 1<br><br>SEND_DRCU_COMMAND<br><br>Command Parameter(s) :<br>DRCUCOMMAND<br>OVERRIDE<br><br>Subsch. ID : 370<br>Det. descr. : SEND A SINGLE COMMAND TO THE DRCU    | SPD4N505<br>SPD9N505<br><br>84350000 <hex><br>0 <hex> (Def) | SCD06505                     |
|          | ET=+<br>UT=+00.00.01 | SetSSW JFET Source Voltage for Channel 2<br><br>SEND_DRCU_COMMAND<br><br>Command Parameter(s) :<br>DRCUCOMMAND<br>OVERRIDE<br><br>Subsch. ID : 370<br>Det. descr. : SEND A SINGLE COMMAND TO THE DRCU    | SPD4N505<br>SPD9N505<br><br>84360000 <hex><br>0 <hex> (Def) | SCD06505                     |

SDET\_OFF - Switch OFF the Spectrometer  
 File: H\_FCP\_SPI\_SDEF.xls  
 Author: R. Biggins



| Step No. | Time                 | Activity/Remarks  | TC/TLM  | Display/ Branch |
|----------|----------------------|---|---|-----------------|
|          | ET=+<br>UT=+00.00.01 | SetSLW/SSW JFET Drain Bias Voltage settings<br>SEND_DRCU_COMMAND<br><br>Command Parameter(s) :<br>DRCUCOMMAND                   SPD4N505<br>OVERRIDE                   SPD9N505<br><br>Subsch. ID : 370<br>Det. descr. : SEND A SINGLE COMMAND TO THE DRCU            | SCD06505<br><br>84370000 <hex><br>0 <hex> (Def) |                 |
|          | ET=+<br>UT=+00.00.01 | Send DRCU command<br>SEND_DRCU_COMMAND<br><br>Command Parameter(s) :<br>DRCUCOMMAND                   SPD4N505<br>OVERRIDE                   SPD9N505<br><br>Subsch. ID : 370<br>Det. descr. : SEND A SINGLE COMMAND TO THE DRCU                                      | SCD06505<br><br>84340000 <hex><br>0 <hex> (Def) |                 |
|          | ET=+<br>UT=+00.00.01 | Send DRCU command to SetPhaseShift for Spectro SW<br>SEND_DRCU_COMMAND<br><br>Command Parameter(s) :<br>DRCUCOMMAND                   SPD4N505<br>OVERRIDE                   SPD9N505<br><br>Subsch. ID : 370<br>Det. descr. : SEND A SINGLE COMMAND TO THE DRCU      | SCD06505<br><br>843A0000 <hex><br>0 <hex> (Def) |                 |
|          | ET=+<br>UT=+00.00.01 | Send DRCU command to SetPhaseShift for Spectro LW<br>SEND_DRCU_COMMAND<br><br>Command Parameter(s) :<br>DRCUCOMMAND                   SPD4N505<br>OVERRIDE                   SPD9N505<br><br>Subsch. ID : 370<br>Det. descr. : SEND A SINGLE COMMAND TO THE DRCU      | SCD06505<br><br>843B0000 <hex><br>0 <hex> (Def) |                 |
|          | ET=+<br>UT=+00.00.01 | Send DRCU command to SetSpectroBiasAmpl for Spectro SW<br>SEND_DRCU_COMMAND<br><br>Command Parameter(s) :<br>DRCUCOMMAND                   SPD4N505<br>OVERRIDE                   SPD9N505<br><br>Subsch. ID : 370<br>Det. descr. : SEND A SINGLE COMMAND TO THE DRCU | SCD06505<br><br>84310000 <hex><br>0 <hex> (Def) |                 |
|          | ET=+<br>UT=+00.00.01 | Send DRCU command to SetSpectroBiasAmpl for Spectro LW<br>SEND_DRCU_COMMAND<br><br>Command Parameter(s) :<br>DRCUCOMMAND                   SPD4N505<br>OVERRIDE                   SPD9N505<br><br>Subsch. ID : 370<br>Det. descr. : SEND A SINGLE COMMAND TO THE DRCU | SCD06505<br><br>84320000 <hex><br>0 <hex> (Def) |                 |

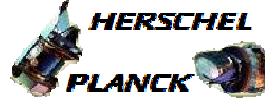


SDET\_OFF - Switch OFF the Spectrometer  
 File: H\_FCP\_SPI\_SDEF.xls  
 Author: R. Biggins



| Step No. | Time                 | Activity/Remarks   | TC/TLM  | Display/ Branch          |
|----------|----------------------|--|---|--------------------------|
|          | ET=+<br>UT=+00.00.01 | Send DRCU command to SetDRelOnOff<br><b>SEND_DRCU_COMMAND</b><br><br>Command Parameter(s) :<br>DRCUCOMMAND                   SPD4N505<br>OVERRIDE                        SPD9N505<br><br>Subsch. ID : 370<br>Det. descr. : SEND A SINGLE COMMAND TO THE DRCU | SCD06505<br><br>A0870004 <hex><br>0 <hex> (Def) |                          |
| 4.2      |                      | Verify telemetry   |   | <input type="checkbox"/> |
|          |                      | Verify Telemetry<br><b>SLIABITSTAT</b> <b>SM_1X520</b>   | = OFF   | AND=ZAZ93999             |
|          |                      | Verify Telemetry<br><b>SPECJFETSTAT</b> <b>SMF0F510</b>  | = 0 <hex>                                       | AND=ZAZ93999             |
|          |                      | Verify Telemetry<br><b>SSWJFET1V</b> <b>SM00V510</b>   | = 0.0 V   | AND=ZAZ93999             |
|          |                      | Verify Telemetry<br><b>SSWJFET2V</b> <b>SM01V510</b>   | = 0.0 V   | AND=ZAZ93999             |
|          |                      | Verify Telemetry<br><b>SLWJFET1V</b> <b>SM10V510</b>   | = 0.0 V   | AND=ZAZ93999             |
|          |                      | Verify Telemetry<br><b>SLIAP5V</b> <b>SML3V510</b>   | = 0.0 V   | AND=ZAZ93999             |
|          |                      | Verify Telemetry<br><b>SLIAP9V</b> <b>SML4V510</b>   | = 0.0 V   | AND=ZAZ93999             |
|          |                      | Verify Telemetry<br><b>SLIAM9V</b> <b>SML5V510</b>   | = 0.0 V   | AND=ZAZ93999             |
| 4.3      |                      | Set Mode   |   | <input type="checkbox"/> |
|          | ET=+<br>UT=+00.00.00 | SET_OBS_MODE<br><b>SET_OBS_MODE</b><br><br>Command Parameter(s) :<br>OBSERVING_MODE                   SP02N500<br><br>Subsch. ID : 370<br>Det. descr. : SET OBSERVING MODE   | SC002500<br><br>2FD <hex>                       |                          |
|          |                      | Verify Telemetry<br><b>MODE</b> <b>SM00M500</b>  | = SDET_OFF                                      | AND=ZAZ93999             |
| 5        |                      | Stop/Restart housekeeping  |   | Next Step:<br>6          |

SDET\_OFF - Switch OFF the Spectrometer  
 File: H\_FCP\_SPI\_SDEF.xls  
 Author: R. Biggins



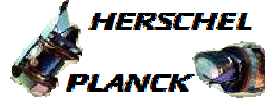
| Step No. | Time                 | Activity/Remarks   | TC/TLM  | Display/ Branch   |
|----------|----------------------|--|---|-------------------|
|          | ET=+<br>UT=+00.00.00 | Execute Telecommand<br><br>CLEAR_HK_REPORT<br><br>Command Parameter(s) :<br>PCKTID_CLEARHK SPR6N500<br><br>Subsch. ID : 370<br>Det. descr. : CLEAR HOUSEKEEPING PARAMETER REPORT DEFINITION  | SCR01500<br><br>301 <hex>   |                   |
|          |                      | Verify: Packet has stopped being produced<br>Nominal_HK_Parameter_Report<br>Packet Details:<br>APID: 1282<br>Type: 3<br>Subtype: 25<br>PI1: 769<br>PI2:  | SNOMHK000559  |                   |
|          | ET=+<br>UT=+00.00.10 | Execute Telecommand<br><br>DEFINE_NEW_HK_REPORT<br><br>Command Parameter(s) :<br>HKPCKTID_DEFINENEWHK SPR0N500<br>HKSID_DEFINENEWHK SPR1N500<br>HKINTERVAL_DEFINENEWHK SPR2N500<br>HKREPEAT_DEFINENEWHK SPR3N500<br>TABLEID_DEFINENEWHK SPR4N500<br><br>Subsch. ID : 370<br>Det. descr. : DEFINE NEW HOUSEKEEPING PARAMETER REPORT | SCR00500<br><br>301 <hex><br>301 <hex><br>FA0 <hex><br>1 <hex><br>1 <hex> |                   |
|          |                      | Verify: Packet is being produced<br>Nominal_HK_Parameter_Report<br>Packet Details:<br>APID: 1282<br>Type: 3<br>Subtype: 25<br>PI1: 769<br>PI2:   | SNOMHK000559  |                   |
| 6        |                      | Set default end conditions   |   | Next Step:<br>END |
|          |                      | Note that a <b>TM(5,1)</b> packet [New_Step_Report] is generated after each of the following SET_OBS_STEP telecommands   |   |                   |
|          | ET=+<br>UT=+00.00.00 | SET_OBS_STEP<br><br>SET_OBS_STEP<br><br>Command Parameter(s) :<br>OBSERVATION_STEP SP03N500<br><br>Subsch. ID : 370<br>Det. descr. : SET OBSERVATION STEP  | SC003500<br><br>0 <hex>   |                   |

SDET\_OFF - Switch OFF the Spectrometer  
 File: H\_FCP\_SPI\_SDEF.xls  
 Author: R. Biggins



| Step No. | Time                 | Activity/Remarks   | TC/TLM  | Display/ Branch |  |
|----------|----------------------|--|---|-----------------|--|
|          | ET=+<br>UT=+00.00.01 | SET_BBID<br><br>Command Parameter(s) :<br>BUILDING_BLOCK_ID<br><br>Subsch. ID : 370<br>Det. descr. : SET BUILDING BLOCK IDENTIFIER | SET_BBID<br><br>SP01N500<br><br>80000000 <hex>  | SC001500        |  |
|          |                      | Verify Telemetry<br><br>BBFULLTYPE   | SM2LN500<br><br>= Null                          | AND=ZAZ93999    |  |
|          | ET=+<br>UT=+00.00.00 | SET_OBS_STEP<br><br>Command Parameter(s) :<br>OBSERVATION_STEP<br><br>Subsch. ID : 370<br>Det. descr. : SET OBSERVATION STEP       | SET_OBS_STEP<br><br>SP03N500<br><br>0 <hex>     | SC003500        |  |
|          | ET=+<br>UT=+00.00.01 | SET_BBID<br><br>Command Parameter(s) :<br>BUILDING_BLOCK_ID<br><br>Subsch. ID : 370<br>Det. descr. : SET BUILDING BLOCK IDENTIFIER | SET_BBID<br><br>SP01N500<br><br>80030001 <hex>  | SC001500        |  |
|          |                      | Verify Telemetry<br><br>BBFULLTYPE   | SM2LN500<br><br>= EndObs                        | AND=ZAZ93999    |  |
|          | ET=+<br>UT=+00.00.00 | SET_OBS_STEP<br><br>Command Parameter(s) :<br>OBSERVATION_STEP<br><br>Subsch. ID : 370<br>Det. descr. : SET OBSERVATION STEP       | SET_OBS_STEP<br><br>SP03N500<br><br>1 <hex>     | SC003500        |  |
|          | ET=+<br>UT=+00.00.01 | SET_OBSID<br><br>Command Parameter(s) :<br>OBSERVATION_ID<br><br>Subsch. ID : 370<br>Det. descr. : SET OBSERVATION IDENTIFIER      | SET_OBSID<br><br>SP00N500<br><br>00000000 <hex> | SC000500        |  |
|          |                      | Verify Telemetry<br><br>OBSID  | SM10N500<br><br>= 00000000 <hex>                | AND=ZAZ93999    |  |

SDET\_OFF - Switch OFF the Spectrometer  
 File: H\_FCP\_SPI\_SDEF.xls  
 Author: R. Biggins



| Step No.                | Time                 | Activity/Remarks  | TC/TLM                         | Display/ Branch |
|-------------------------|----------------------|---|--------------------------------|-----------------|
|                         | ET=+<br>UT=+00.00.00 | SET_OBS_STEP<br><br>Command Parameter(s) :<br>OBSERVATION_STEP           SP03N500<br><br>Subsch. ID : 370<br>Det. descr. : SET OBSERVATION STEP       | SC003500<br><br>0 <hex>        |                 |
|                         | ET=+<br>UT=+00.00.01 | SET_BBID<br><br>Command Parameter(s) :<br>BUILDING_BLOCK_ID           SP01N500<br><br>Subsch. ID : 370<br>Det. descr. : SET BUILDING BLOCK IDENTIFIER | SC001500<br><br>80000000 <hex> |                 |
|                         |                      | Verify Telemetry<br><br>BBFULLTYPE                   SM2LN500   | = Null                         | AND=ZAZ93999    |
| <b>End of Procedure</b> |                      |   |                                |                 |