

Switch OFF the redundant SPIRE units  
 File: H\_FCP\_SPI\_RSOF.xls  
 Author: L.Lucas-hp



## Procedure Summary

### Objectives

The objective of this procedure is to switch off the redundant SPIRE units

### Summary of Constraints

### Spacecraft Configuration

**Start of Procedure**

SPIRE is in DRCU\_OFF mode with the SDB FDIR disabled

**End of Procedure**

SPIRE is OFF

### Reference File(s)

**Input Command Sequences**

**Output Command Sequences**

HFSRSOF

### Referenced Displays

**ANDs**      **GRDs**      **SLDs**  
 ZAZ96999

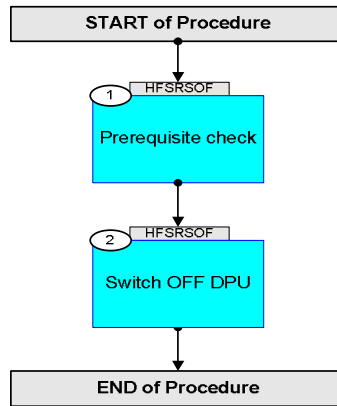
### Configuration Control Information

DATE	FOP ISSUE	VERSION	MODIFICATION DESCRIPTION	AUTHOR	SPR REF
12/11/07		1	Created	R. Biggins	
15/01/08		2	Update due to initial testing against the simulator:□ - TCs updated due to new DB	R. Biggins	
03/03/08		3	Update due to comments by S. Sidher:□ - Initial conditions updated (FDIR disabled, no Housekeeping telemetry)	R. Biggins	
19/05/08	1	4	Updates due to SVT-1 testing:□ - FDIR status check removed (step 1)□ - TM checks added to step 1 □ - Step 2.3 removed (TC to enable SDB FDIR)□ - AND updated for all TM parameters	R. Biggins	
04/03/09		4.01	Validation : checking if Updates needed	L.Lucas-hp	
04/03/09		5	Updated SDBFDIR as command now has two new parameters M12, F 12	L.Lucas-hp	
04/03/09	2.1	5.01	Validation : Text updates only	L.Lucas-hp	

Switch OFF the redundant SPIRE units  
File: H\_FCP\_SPI\_RSOF.xls  
Author: L.Lucas-hp



## Procedure Flowchart Overview



Switch OFF the redundant SPIRE units  
 File: H\_FCP\_SPI\_RSOF.xls  
 Author: L.Lucas-hp



Step No.	Time	Activity/Remarks	TC/TLM	Display/ Branch
<b>Beginning of Procedure</b>				
TC Seq. Name : HFSRSOF (Switch OFF (Red))				
TimeTag Type: N Sub Schedule ID:  <input type="checkbox"/>				
1		Prerequisite check		Next Step: 2
		Verify Telemetry  <b>MODE</b> <b>SM00M500</b>	= DPU_ON	AND=ZAZ96999
		Verify Telemetry  <b>SpirHsfr_L52_1S</b> <b>WM72C565</b>	= OFF	AND=ZAZ96999
2		Switch OFF DPU		Next Step: END
2.1		Stop instrument RT interrogations		<input type="checkbox"/>
		Execute Telecommand  <b>ConfiguresDBFDIR</b>	DC005161	
		Command Parameter(s) :		
		RTA                      DH011161	SPIRE B	
		M0                      DH030161	Update status	
		M1                      DH031161	Ignore Flag	
		M2                      DH032161	Ignore Flag	
		M3                      DH033161	Ignore Flag	
		M4                      DH034161	Update status	
		M5                      DH035161	Ignore Flag	
		M6                      DH036161	Ignore Flag	
		M7                      DH037161	Ignore Flag	
		F0                      DH018161	OFF	
		F1                      DH019161	Alive	
		F2                      DH020161	Well TC	
		F3                      DH021161	Well TM	
		F4                      DH022161	Invalid	
		F5                      DH023161	Non-vital	
		F6                      DH024161	REDUNDANT	
		F7                      DH025161	ON	
		M12                      DH051161	Ignore Flag	
		M_C                      DH043161	Ignore CNT	
		M8                      DH038161	Ignore Flag	
		M9                      DH039161	Ignore Flag	
		M10                      DH040161	Ignore Flag	
		M11                      DH041161	Ignore Flag	
		F12                      DH050161	ENABLED	
		CNT                      DH042161	LoopCnt1	
		F8                      DH026161	Bus A	

Switch OFF the redundant SPIRE units  
 File: H\_FCP\_SPI\_RSOF.xls  
 Author: L.Lucas-hp



Step No.	Time	Activity/Remarks	TC/TLM	Display/ Branch
		F9 DH027161 F10 DH028161 F11 DH029161  TC Control Flags :  Subsch. ID : 10 Det. descr. : Configure SDB FDIR	Healthy Healthy DISABLED	
		Wait up to 1 minute for the generation of the D_Hk_P64 packet from the CDMU (APID = 18)		
		Verify Telemetry SPIREB_OnOff DED21161	= OFF	AND=ZAZ96999
		Verify Telemetry SPIREB_ValidInv DED25161	= Invalid	AND=ZAZ96999
2.2		Power OFF DPU		<input type="checkbox"/>
		Execute Telecommand SwOff_SpireHSPDU_R_L12  TC Control Flags :  Subsch. ID : 10 Det. descr. : PCDU: TC(8,4,112,3) SPIRE HSDPU Red - switch LCL_12 off	DC12B170	
		Verify: DPU LCL status SpirHsdR_L12_1S WM82C565	= OFF	AND=ZAZ96999
		Verify: DPU LCL current SpireHsdR_L12_I WM808565	= 0.0 A	AND=ZAZ96999
<b>End of Procedure</b>				