

PDET\_ON - Switch ON the Photometer  
 File: H\_FCP\_SPI\_PHON.xls  
 Author: R. Biggins



## Procedure Summary

### Objectives

The objective of this procedure is to switch ON the Photometer Detectors (PDET)

### Summary of Constraints

n/a

### Spacecraft Configuration

#### Start of Procedure

SPIRE is in BSM\_INIT mode

#### End of Procedure

SPIRE is in PHOTOSTBY mode

### Reference File(s)

#### Input Command Sequences

#### Output Command Sequences

HFSPHON

### Referenced Displays

**ANDs**      **GRDs**      **SLDs**  
 ZAZ92999

### Configuration Control Information

DATE	FOP ISSUE	VERSION	MODIFICATION DESCRIPTION	AUTHOR	SPR REF
07/08/07		1	Created	R. Biggins	
15/01/08		2	Update due to initial testing against the simulator: - TCs updated due to new DB	R. Biggins	
29/01/08		3	Update due to changes in input file (PDET_ON: version 3) □ - TC and TM parameters updated □ - Execution times removed	R. Biggins	
22/02/08		4	□ Update due to testing against MOC Simulator: - Time Tags updated□ - BBID/OBSID TM checks added□ - Editorial updates	R. Biggins	
03/03/08		5	Update due to comments by S. Sidher: - Telecommand parameter value updated with corresponding Telemetry update	R. Biggins	

PDET\_ON - Switch ON the Photometer  
 File: H\_FCP\_SPI\_PHON.xls  
 Author: R. Biggins

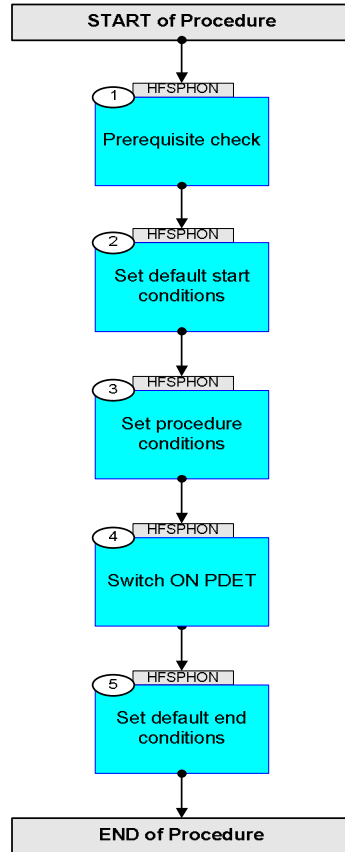


19/05/08	1	6	Updates due to SVT-1 testing: <ul style="list-style-type: none"> <li>- Last SET_OBS_STEP in step 2 removed</li> <li>- TM checks added to RESET_DRCU_COUNTERS TC</li> <li>- All DRCU commands in step 4.1 have been set for automatic dispatch with telemetry checks being moved to step 4.2</li> <li>- Default OBSID value updated to 0x0000 0000</li> <li>- Flags updated</li> <li>- Comments added/updated</li> <li>- AND updated for all TM parameters</li> </ul>	R. Biggins	
----------	---	---	--	------------	--

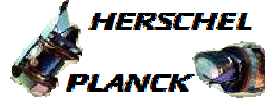
PDET\_ON - Switch ON the Photometer  
File: H\_FCP\_SPI\_PHON.xls  
Author: R. Biggins



## Procedure Flowchart Overview



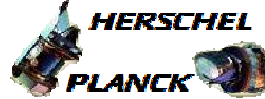
PDET\_ON - Switch ON the Photometer  
 File: H\_FCP\_SPI\_PHON.xls  
 Author: R. Biggins



Step No.	Time	Activity/Remarks	TC/TLM	Display/ Branch
<b>Beginning of Procedure</b>				
HFSPHON Switch ON PDET				
SSID :				
1		Prerequisite check		Next Step: 2
		Verify Telemetry MODE SM00M500	= BSM_INIT	AND=ZAZ92999
		Verify Telemetry PLIABITSTAT SM_0X520	= OFF	AND=ZAZ92999
		Verify Telemetry PSWJFETSTAT SM20F510	= 0 <hex>	AND=ZAZ92999
		Verify Telemetry PMLWJFETSTAT SM80F510	= 0 <hex>	AND=ZAZ92999
		Verify Telemetry PSWJFET1V SM20V510	= 0.0 V	AND=ZAZ92999
		Verify Telemetry PSWJFET2V SM21V510	= 0.0 V	AND=ZAZ92999
		Verify Telemetry PSWJFET3V SM22V510	= 0.0 V	AND=ZAZ92999
		Verify Telemetry PSWJFET4V SM23V510	= 0.0 V	AND=ZAZ92999
		Verify Telemetry PSWJFET5V SM24V510	= 0.0 V	AND=ZAZ92999
		Verify Telemetry PSWJFET6V SM25V510	= 0.0 V	AND=ZAZ92999
		Verify Telemetry PMWJFET1V SM30V510	= 0.0 V	AND=ZAZ92999
		Verify Telemetry PMWJFET2V SM31V510	= 0.0 V	AND=ZAZ92999
		Verify Telemetry PMWJFET3V SM32V510	= 0.0 V	AND=ZAZ92999
		Verify Telemetry PMWJFET4V SM33V510	= 0.0 V	AND=ZAZ92999
		Verify Telemetry PLWJFET1V SM50V510	= 0.0 V	AND=ZAZ92999
		Verify Telemetry PLWJFET2V SM51V510	= 0.0 V	AND=ZAZ92999
		Verify Telemetry PLIAP5V SML0V510	= 0.0 V	AND=ZAZ92999



PDET\_ON - Switch ON the Photometer  
 File: H\_FCP\_SPI\_PHON.xls  
 Author: R. Biggins



Step No.	Time	Activity/Remarks	TC/TLM	Display/ Branch
	ET=+ UT=+00.00.00	SET_OBS_STEP  SET_OBS_STEP  Command Parameter(s) : OBSERVATION_STEP SP03N500  SSID : 370	SC003500  0 <hex>	
	ET=+ UT=+00.00.01	SET_BBID  SET_BBID  Command Parameter(s) : BUILDING_BLOCK_ID SP01N500  SSID : 370	SC001500  80000000 <hex>	
		Verify Telemetry  BBFULLTYPE SM2LN500	= Null	AND=ZAZ92999
	ET=+ UT=+00.00.00	SET_OBS_STEP  SET_OBS_STEP  Command Parameter(s) : OBSERVATION_STEP SP03N500  SSID : 370	SC003500  0 <hex>	
	ET=+ UT=+00.00.01	SET_BBID  SET_BBID  Command Parameter(s) : BUILDING_BLOCK_ID SP01N500  SSID : 370	SC001500  80020001 <hex>	
		Verify Telemetry  BBFULLTYPE SM2LN500	= StartObs	AND=ZAZ92999
3		Set procedure conditions		Next Step: 4
	ET=+ UT=+00.00.00	RESET_DRCU_COUNTERS  RESET_DRCU_COUNTERS  SSID : 370	SCD00505	
		Verify that the TRESET parameter has the same value as the THSK parameter  TRESET SM01T500	same as THSK	AND=ZAZ92999
		THSK SM00T500	any	AND=ZAZ92999
		Note that a TM(5,1) packet [New_Step_Report] is generated after each of the following SET_OBS_STEP telecommands		

PDET\_ON - Switch ON the Photometer  
 File: H\_FCP\_SPI\_PHON.xls  
 Author: R. Biggins



Step No.	Time	Activity/Remarks	TC/TLM	Display/ Branch
	ET=+ UT=+00.00.00	SET_OBS_STEP  Command Parameter(s) : OBSERVATION_STEP  SSID : 370	SET_OBS_STEP  SP03N500  1 <hex>	SC003500
	ET=+ UT=+00.00.01	SET_OBSID  Command Parameter(s) : OBSERVATION_ID  SSID : 370	SET_OBSID  SP00N500  OBS_ID	SC000500
		Verify Telemetry  OBSID  SM10N500	OBS_ID	AND=ZAZ92999
	ET=+ UT=+00.00.00	SET_OBS_STEP  Command Parameter(s) : OBSERVATION_STEP  SSID : 370	SET_OBS_STEP  SP03N500  0 <hex>	SC003500
	ET=+ UT=+00.00.01	SET_BBID  Command Parameter(s) : BUILDING_BLOCK_ID  SSID : 370	SET_BBID  SP01N500  80000000 <hex>	SC001500
		Verify Telemetry  BBFULLTYPE  SM2LN500	= Null	AND=ZAZ92999
	ET=+ UT=+00.00.00	SET_OBS_STEP  Command Parameter(s) : OBSERVATION_STEP  SSID : 370	SET_OBS_STEP  SP03N500  0 <hex>	SC003500
	ET=+ UT=+00.00.01	SET_BBID  Command Parameter(s) : BUILDING_BLOCK_ID  SSID : 370	SET_BBID  SP01N500  85000001 <hex>	SC001500
		Verify Telemetry  BBFULLTYPE  SM2LN500	= PF_BDA_On	AND=ZAZ92999

PDET\_ON - Switch ON the Photometer  
 File: H\_FCP\_SPI\_PHON.xls  
 Author: R. Biggins



Step No.	Time	Activity/Remarks	TC/TLM	Display/ Branch
	ET=+ UT=+00.00.00	SET_OBS_MODE  SET_OBS_MODE  Command Parameter(s) : OBSERVING_MODE                   SP02N500  SSID : 370	SC002500  203 <hex>	
		Verify Telemetry  MODE                   SM00M500	= PDET_ON	AND=ZAZ92999
4		Switch ON PDET		Next Step: 5
4.1		Send DRCU commands		<input type="checkbox"/>
		<b>WARNING:</b> All the TCs in this step should be sent automatically with the defined times between uplink.		
	ET=+ UT=+00.00.01	Send DRCU command to SetDRelOnOff  SEND_DRCU_COMMAND  Command Parameter(s) : DRCUCOMMAND                   SPD4N505 OVERRIDE                        SPD9N505  SSID : 370	SCD06505  A0870005 <hex> 0 <hex> (Def)	
	ET=+ UT=+00.00.01	Send DRCU command to SetPhotoBiasMode  SEND_DRCU_COMMAND  Command Parameter(s) : DRCUCOMMAND                   SPD4N505 OVERRIDE                        SPD9N505  SSID : 370	SCD06505  840000FF <hex> 0 <hex> (Def)	
	ET=+ UT=+00.00.00	Send DRCU command to SetPhotoMClkDiv  SEND_DRCU_COMMAND  Command Parameter(s) : DRCUCOMMAND                   SPD4N505 OVERRIDE                        SPD9N505  SSID : 370	SCD06505  84190095 <hex> 0 <hex> (Def)	
	ET=+ UT=+00.00.01	Send DRCU command to SetPhotoBiasDiv  SEND_DRCU_COMMAND  Command Parameter(s) : DRCUCOMMAND                   SPD4N505 OVERRIDE                        SPD9N505  SSID : 370	SCD06505  84180006 <hex> 0 <hex> (Def)	



PDET\_ON - Switch ON the Photometer  
 File: H\_FCP\_SPI\_PHON.xls  
 Author: R. Biggins



Step No.	Time	Activity/Remarks	TC/TLM	Display/ Branch
	ET=+ UT=+00.00.00	Send DRCU command to SetPhotoBias (SW Channels) SEND_DRCU_COMMAND  Command Parameter(s) : DRCUCOMMAND                   SPD4N505 OVERRIDE                        SPD9N505  SSID : 370	SCD06505  84010002 <hex> 0 <hex> (Def)	
	ET=+ UT=+00.00.01	Send DRCU command to SetPhotoBiasAmpl (MW Channels) SEND_DRCU_COMMAND  Command Parameter(s) : DRCUCOMMAND                   SPD4N505 OVERRIDE                        SPD9N505  SSID : 370	SCD06505  84020002 <hex> 0 <hex> (Def)	
	ET=+ UT=+00.00.00	Send DRCU command to SetPhotoBiasAmpl (LW Channels) SEND_DRCU_COMMAND  Command Parameter(s) : DRCUCOMMAND                   SPD4N505 OVERRIDE                        SPD9N505  SSID : 370	SCD06505  84030002 <hex> 0 <hex> (Def)	
	ET=+ UT=+00.00.01	Send DRCU command to SetPhotoBiasAmpl (TC Channels) SEND_DRCU_COMMAND  Command Parameter(s) : DRCUCOMMAND                   SPD4N505 OVERRIDE                        SPD9N505  SSID : 370	SCD06505  84040002 <hex> 0 <hex> (Def)	
	ET=+ UT=+00.00.00	Send DRCU command to SetPhaseShift (SW Channels) SEND_DRCU_COMMAND  Command Parameter(s) : DRCUCOMMAND                   SPD4N505 OVERRIDE                        SPD9N505  SSID : 370	SCD06505  841A0080 <hex> 0 <hex> (Def)	
	ET=+ UT=+00.00.01	Send DRCU command to SetPhaseShift (MW Channels) SEND_DRCU_COMMAND  Command Parameter(s) : DRCUCOMMAND                   SPD4N505 OVERRIDE                        SPD9N505  SSID : 370	SCD06505  841B0080 <hex> 0 <hex> (Def)	

PDET\_ON - Switch ON the Photometer  
 File: H\_FCP\_SPI\_PHON.xls  
 Author: R. Biggins



Step No.	Time	Activity/Remarks	TC/TLM	Display/ Branch
	ET=+ UT=+00.00.00	Send DRCU command to SetPhaseShift (LW Channels) SEND_DRCU_COMMAND  Command Parameter(s) : DRCUCOMMAND                   SPD4N505 OVERRIDE                        SPD9N505  SSID : 370	SCD06505  841C0080 <hex> 0 <hex> (Def)	
	ET=+ UT=+00.00.01	Send DRCU command to SetPhaseShift (TC Channels) SEND_DRCU_COMMAND  Command Parameter(s) : DRCUCOMMAND                   SPD4N505 OVERRIDE                        SPD9N505  SSID : 370	SCD06505  841D0080 <hex> 0 <hex> (Def)	
	ET=+ UT=+00.00.01	Send DRCU command to SetDCUDataMode SEND_DRCU_COMMAND  Command Parameter(s) : DRCUCOMMAND                   SPD4N505 OVERRIDE                        SPD9N505  SSID : 370	SCD06505  843C0010 <hex> 0 <hex> (Def)	
	ET=+ UT=+00.00.01	Send DRCU command to SetDCUStartFrame SEND_DRCU_COMMAND  Command Parameter(s) : DRCUCOMMAND                   SPD4N505 OVERRIDE                        SPD9N505  SSID : 370	SCD06505  843E0001 <hex> 0 <hex> (Def)	
	ET=+ UT=+00.00.02	Send DRCU command to SetDCUStartFrame SEND_DRCU_COMMAND  Command Parameter(s) : DRCUCOMMAND                   SPD4N505 OVERRIDE                        SPD9N505  SSID : 370	SCD06505  843E0000 <hex> 0 <hex> (Def)	
	ET=+ UT=+00.00.00	Send DRCU command to SetDCUDataMode SEND_DRCU_COMMAND  Command Parameter(s) : DRCUCOMMAND                   SPD4N505 OVERRIDE                        SPD9N505  SSID : 370	SCD06505  843C0018 <hex> 0 <hex> (Def)	

PDET\_ON - Switch ON the Photometer  
 File: H\_FCP\_SPI\_PHON.xls  
 Author: R. Biggins



Step No.	Time	Activity/Remarks	TC/TLM	Display/ Branch
	ET=+ UT=+00.00.01	Send DRCU command to SetDCUStartFrame SEND_DRCU_COMMAND  Command Parameter(s) : DRCUCOMMAND                   SPD4N505 OVERRIDE                   SPD9N505  SSID : 370	SCD06505  843E0001 <hex> 0 <hex> (Def)	
	ET=+ UT=+00.00.03	Send DRCU command to SetDCUStartFrame SEND_DRCU_COMMAND  Command Parameter(s) : DRCUCOMMAND                   SPD4N505 OVERRIDE                   SPD9N505  SSID : 370	SCD06505  843E0000 <hex> 0 <hex> (Def)	
	ET=+ UT=+00.00.00	FLUSH_FIFO  FLUSH_FIFO  Command Parameter(s) : FIFOFLAGS                   SPD0N505  SSID : 370	SCD01505  1000 <hex>	
	ET=+ UT=+00.00.01	Send DRCU command to SetDCUDataMode SEND_DRCU_COMMAND  Command Parameter(s) : DRCUCOMMAND                   SPD4N505 OVERRIDE                   SPD9N505  SSID : 370	SCD06505  843C0000 <hex> 0 <hex> (Def)	
	ET=+ UT=+00.00.00	Send DRCU command to SetDCUFrameCount SEND_DRCU_COMMAND  Command Parameter(s) : DRCUCOMMAND                   SPD4N505 OVERRIDE                   SPD9N505  SSID : 370	SCD06505  843D0000 <hex> 0 <hex> (Def)	
	ET=+ UT=+00.00.01	Send DRCU command to SetDCUStartFrame SEND_DRCU_COMMAND  Command Parameter(s) : DRCUCOMMAND                   SPD4N505 OVERRIDE                   SPD9N505  SSID : 370	SCD06505  843E0001 <hex> 0 <hex> (Def)	

PDET\_ON - Switch ON the Photometer  
 File: H\_FCP\_SPI\_PHON.xls  
 Author: R. Biggins



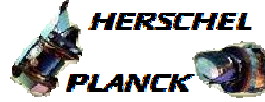
Step No.	Time	Activity/Remarks	TC/TLM	Display/ Branch
	ET=+ UT=+00.00.03	Send DRCU command to SetPSW JFET Source Voltage (Ch 1) SEND_DRCU_COMMAND  Command Parameter(s) : DRCUCOMMAND                   SPD4N505 OVERRIDE           SPD9N505  SSID : 370	SCD06505  8405004C <hex> 0 <hex> (Def)	
	ET=+ UT=+00.00.00	Send DRCU command to Set Drain Bias Voltage settings SEND_DRCU_COMMAND  Command Parameter(s) : DRCUCOMMAND                   SPD4N505 OVERRIDE           SPD9N505  SSID : 370	SCD06505  84120001 <hex> 0 <hex> (Def)	
	ET=+ UT=+00.00.01	Send DRCU command to SetPSW JFET Source Voltage (Ch 2) SEND_DRCU_COMMAND  Command Parameter(s) : DRCUCOMMAND                   SPD4N505 OVERRIDE           SPD9N505  SSID : 370	SCD06505  8406004C <hex> 0 <hex> (Def)	
	ET=+ UT=+00.00.00	Send DRCU command to Set Drain Bias Voltage settings SEND_DRCU_COMMAND  Command Parameter(s) : DRCUCOMMAND                   SPD4N505 OVERRIDE           SPD9N505  SSID : 370	SCD06505  84120003 <hex> 0 <hex> (Def)	
	ET=+ UT=+00.00.01	Send DRCU command to SetPSW JFET Source Voltage (Ch 3) SEND_DRCU_COMMAND  Command Parameter(s) : DRCUCOMMAND                   SPD4N505 OVERRIDE           SPD9N505  SSID : 370	SCD06505  8407004C <hex> 0 <hex> (Def)	
	ET=+ UT=+00.00.00	Send DRCU command to Set Drain Bias Voltage settings SEND_DRCU_COMMAND  Command Parameter(s) : DRCUCOMMAND                   SPD4N505 OVERRIDE           SPD9N505  SSID : 370	SCD06505  84120007 <hex> 0 <hex> (Def)	

PDET\_ON - Switch ON the Photometer  
 File: H\_FCP\_SPI\_PHON.xls  
 Author: R. Biggins



Step No.	Time	Activity/Remarks	TC/TLM	Display/ Branch
	ET=+ UT=+00.00.01	Send DRCU command to SetPSW JFET Source Voltage (Ch 4) SEND_DRCU_COMMAND  Command Parameter(s) : DRCUCOMMAND                   SPD4N505 OVERRIDE                   SPD9N505  SSID : 370	SCD06505  8408004C <hex> 0 <hex> (Def)	
	ET=+ UT=+00.00.00	Send DRCU command to Set Drain Bias Voltage settings SEND_DRCU_COMMAND  Command Parameter(s) : DRCUCOMMAND                   SPD4N505 OVERRIDE                   SPD9N505  SSID : 370	SCD06505  8412000F <hex> 0 <hex> (Def)	
	ET=+ UT=+00.00.01	Send DRCU command to SetPSW JFET Source Voltage (Ch 5) SEND_DRCU_COMMAND  Command Parameter(s) : DRCUCOMMAND                   SPD4N505 OVERRIDE                   SPD9N505  SSID : 370	SCD06505  8409004C <hex> 0 <hex> (Def)	
	ET=+ UT=+00.00.00	Send DRCU command to Set Drain Bias Voltage settings SEND_DRCU_COMMAND  Command Parameter(s) : DRCUCOMMAND                   SPD4N505 OVERRIDE                   SPD9N505  SSID : 370	SCD06505  8412001F <hex> 0 <hex> (Def)	
	ET=+ UT=+00.00.01	Send DRCU command to SetPSW JFET Source Voltage (Ch 6) SEND_DRCU_COMMAND  Command Parameter(s) : DRCUCOMMAND                   SPD4N505 OVERRIDE                   SPD9N505  SSID : 370	SCD06505  840A004C <hex> 0 <hex> (Def)	
	ET=+ UT=+00.00.00	Send DRCU command to Set Drain Bias Voltage settings SEND_DRCU_COMMAND  Command Parameter(s) : DRCUCOMMAND                   SPD4N505 OVERRIDE                   SPD9N505  SSID : 370	SCD06505  8412003F <hex> 0 <hex> (Def)	

PDET\_ON - Switch ON the Photometer  
 File: H\_FCP\_SPI\_PHON.xls  
 Author: R. Biggins



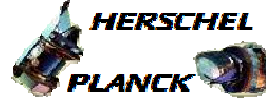
Step No.	Time	Activity/Remarks	TC/TLM	Display/ Branch
	ET=+ UT=+00.00.01	Send DRCU command to SetPMW JFET Source Voltage (Ch 1) SEND_DRCU_COMMAND  Command Parameter(s) : DRCUCOMMAND                   SPD4N505 OVERRIDE                        SPD9N505  SSID : 370	SCD06505  840B004C <hex> 0 <hex> (Def)	
	ET=+ UT=+00.00.00	Send DRCU command to Set Drain Bias Voltage settings SEND_DRCU_COMMAND  Command Parameter(s) : DRCUCOMMAND                   SPD4N505 OVERRIDE                        SPD9N505  SSID : 370	SCD06505  84130001 <hex> 0 <hex> (Def)	
	ET=+ UT=+00.00.01	Send DRCU command to SetPMW JFET Source Voltage (Ch 2) SEND_DRCU_COMMAND  Command Parameter(s) : DRCUCOMMAND                   SPD4N505 OVERRIDE                        SPD9N505  SSID : 370	SCD06505  840C004C <hex> 0 <hex> (Def)	
	ET=+ UT=+00.00.00	Send DRCU command to Set Drain Bias Voltage settings SEND_DRCU_COMMAND  Command Parameter(s) : DRCUCOMMAND                   SPD4N505 OVERRIDE                        SPD9N505  SSID : 370	SCD06505  84130003 <hex> 0 <hex> (Def)	
	ET=+ UT=+00.00.01	Send DRCU command to SetPMW JFET Source Voltage (Ch 3) SEND_DRCU_COMMAND  Command Parameter(s) : DRCUCOMMAND                   SPD4N505 OVERRIDE                        SPD9N505  SSID : 370	SCD06505  840D004C <hex> 0 <hex> (Def)	
	ET=+ UT=+00.00.00	Send DRCU command to Set Drain Bias Voltage settings SEND_DRCU_COMMAND  Command Parameter(s) : DRCUCOMMAND                   SPD4N505 OVERRIDE                        SPD9N505  SSID : 370	SCD06505  84130007 <hex> 0 <hex> (Def)	

PDET\_ON - Switch ON the Photometer  
 File: H\_FCP\_SPI\_PHON.xls  
 Author: R. Biggins



Step No.	Time	Activity/Remarks	TC/TLM	Display/ Branch
	ET=+ UT=+00.00.01	Send DRCU command to SetPMW JFET Source Voltage (Ch 4) SEND_DRCU_COMMAND  Command Parameter(s) : DRCUCOMMAND                   SPD4N505 OVERRIDE           SPD9N505  SSID : 370	SCD06505  840E004C <hex> 0 <hex> (Def)	
	ET=+ UT=+00.00.00	Send DRCU command to Set Drain Bias Voltage settings SEND_DRCU_COMMAND  Command Parameter(s) : DRCUCOMMAND                   SPD4N505 OVERRIDE           SPD9N505  SSID : 370	SCD06505  8413000F <hex> 0 <hex> (Def)	
	ET=+ UT=+00.00.01	Send DRCU command to SetPLW JFET Source Voltage (Ch 1) SEND_DRCU_COMMAND  Command Parameter(s) : DRCUCOMMAND                   SPD4N505 OVERRIDE           SPD9N505  SSID : 370	SCD06505  840F004C <hex> 0 <hex> (Def)	
	ET=+ UT=+00.00.00	Send DRCU command to Set Drain Bias Voltage settings SEND_DRCU_COMMAND  Command Parameter(s) : DRCUCOMMAND                   SPD4N505 OVERRIDE           SPD9N505  SSID : 370	SCD06505  8413001F <hex> 0 <hex> (Def)	
	ET=+ UT=+00.00.01	Send DRCU command to SetPMW JFET Source Voltage (Ch 2) SEND_DRCU_COMMAND  Command Parameter(s) : DRCUCOMMAND                   SPD4N505 OVERRIDE           SPD9N505  SSID : 370	SCD06505  8410004C <hex> 0 <hex> (Def)	
	ET=+ UT=+00.00.00	Send DRCU command to Set Drain Bias Voltage settings SEND_DRCU_COMMAND  Command Parameter(s) : DRCUCOMMAND                   SPD4N505 OVERRIDE           SPD9N505  SSID : 370	SCD06505  8413003F <hex> 0 <hex> (Def)	

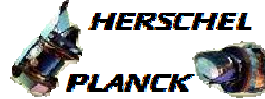
PDET\_ON - Switch ON the Photometer  
 File: H\_FCP\_SPI\_PHON.xls  
 Author: R. Biggins



Step No.	Time	Activity/Remarks	TC/TLM	Display/ Branch
	ET=+ UT=+00.00.01	Send DRCU command to SetTC JFET Source Voltage SEND_DRCU_COMMAND  Command Parameter(s) : DRCUCOMMAND                   SPD4N505 OVERRIDE                        SPD9N505  SSID : 370	SCD06505  8414004C <hex> 0 <hex> (Def)	
	ET=+ UT=+00.00.00	Send DRCU command to Set Drain Bias Voltage settings SEND_DRCU_COMMAND  Command Parameter(s) : DRCUCOMMAND                   SPD4N505 OVERRIDE                        SPD9N505  SSID : 370	SCD06505  8413007F <hex> 0 <hex> (Def)	
4.2		Verify Telemetry		<input type="checkbox"/>
		Verify Telemetry PLIABITSTAT                   SM_0X520	= ON	AND=ZAZ92999
		Verify Telemetry PLIAP5V                        SML0V510	= 5.0 V	AND=ZAZ92999
		Verify Telemetry PLIAP9V                        SML1V510	= 11.5 V	AND=ZAZ92999
		Verify Telemetry PLIAM9V                        SML2V510	= -11.5 V	AND=ZAZ92999
		NOTE: The following Voltages should all be between -1 and -3V		
		Verify Telemetry PSWJFET1V                   SM20V510	= -1.47 V	AND=ZAZ92999
		Verify Telemetry PSWJFET2V                   SM21V510	= -1.47 V	AND=ZAZ92999
		Verify Telemetry PSWJFET3V                   SM22V510	= -1.47 V	AND=ZAZ92999
		Verify Telemetry PSWJFET4V                   SM23V510	= -1.47 V	AND=ZAZ92999
		Verify Telemetry PSWJFET5V                   SM24V510	= -1.47 V	AND=ZAZ92999
		Verify Telemetry PSWJFET6V                   SM25V510	= -1.47 V	AND=ZAZ92999
		Verify Telemetry PMWJFET1V                   SM30V510	= -1.47 V	AND=ZAZ92999
		Verify Telemetry PMWJFET2V                   SM31V510	= -1.47 V	AND=ZAZ92999



PDET\_ON - Switch ON the Photometer  
 File: H\_FCP\_SPI\_PHON.xls  
 Author: R. Biggins



Step No.	Time	Activity/Remarks	TC/TLM	Display/ Branch
		Verify Telemetry <b>PMWJFET3V</b> <b>SM32V510</b>	= -1.47 V	AND=ZAZ92999
		Verify Telemetry <b>PMWJFET4V</b> <b>SM33V510</b>	= -1.47 V	AND=ZAZ92999
		Verify Telemetry <b>PLWJFET1V</b> <b>SM50V510</b>	= -1.47 V	AND=ZAZ92999
		Verify Telemetry <b>PLWJFET2V</b> <b>SM51V510</b>	= -1.47 V	AND=ZAZ92999
		Verify Telemetry <b>TCJFETV</b> <b>SMT0V510</b>	= -1.47 V	AND=ZAZ92999
4.3		Set Mode		☐
	ET=+ UT=+00.00.00	SET_OBS_MODE  <b>SET_OBS_MODE</b> Command Parameter(s) : <b>OBSERVING_MODE</b> <b>SP02N500</b>  SSID : 370	SC002500  300 <hex>	
		Verify Telemetry <b>MODE</b> <b>SM00M500</b>	= PHOTSTBY	AND=ZAZ92999
5		Set default end conditions		Next Step: END
		Note that a <b>TM(5,1)</b> packet [New_Step_Report] is generated after each of the following SET_OBS_STEP telecommands		
	ET=+ UT=+00.00.00	SET_OBS_STEP  <b>SET_OBS_STEP</b> Command Parameter(s) : <b>OBSERVATION_STEP</b> <b>SP03N500</b>  SSID : 370	SC003500  0 <hex>	
	ET=+ UT=+00.00.01	SET_BBID  <b>SET_BBID</b> Command Parameter(s) : <b>BUILDING_BLOCK_ID</b> <b>SP01N500</b>  SSID : 370	SC001500  80000000 <hex>	
		Verify Telemetry <b>BBFULLTYPE</b> <b>SM2LN500</b>	= Null	AND=ZAZ92999

PDET\_ON - Switch ON the Photometer  
 File: H\_FCP\_SPI\_PHON.xls  
 Author: R. Biggins



Step No.	Time	Activity/Remarks	TC/TLM	Display/ Branch
	ET=+ UT=+00.00.00	SET_OBS_STEP  SET_OBS_STEP  Command Parameter(s) : OBSERVATION_STEP SP03N500  SSID : 370	SC003500  0 <hex>	
	ET=+ UT=+00.00.01	SET_BBID  SET_BBID  Command Parameter(s) : BUILDING_BLOCK_ID SP01N500  SSID : 370	SC001500  80030001 <hex>	
		Verify Telemetry  BBFULLTYPE SM2LN500	= EndObs	AND=ZAZ92999
	ET=+ UT=+00.00.00	SET_OBS_STEP  SET_OBS_STEP  Command Parameter(s) : OBSERVATION_STEP SP03N500  SSID : 370	SC003500  1 <hex>	
	ET=+ UT=+00.00.01	SET_OBSID  SET_OBSID  Command Parameter(s) : OBSERVATION_ID SP00N500  SSID : 370	SC000500  00000000 <hex>	
		Verify Telemetry  OBSID SM10N500	= 00000000 <hex>	AND=ZAZ92999
	ET=+ UT=+00.00.00	SET_OBS_STEP  SET_OBS_STEP  Command Parameter(s) : OBSERVATION_STEP SP03N500  SSID : 370	SC003500  0 <hex>	
	ET=+ UT=+00.00.01	SET_BBID  SET_BBID  Command Parameter(s) : BUILDING_BLOCK_ID SP01N500  SSID : 370	SC001500  80000000 <hex>	
		Verify Telemetry  BBFULLTYPE SM2LN500	= Null	AND=ZAZ92999
<b>End of Procedure</b>				