

PDET_OFF - Switch OFF the Photometer
 File: H_FCP_SPI_PHOF.xls
 Author: R. Biggins



Procedure Summary

Objectives

The objective of this procedure is to switch OFF the Photometer Detectors (PDET)

Summary of Constraints

n/a

Spacecraft Configuration

Start of Procedure

SPIRE is in PHOTSTBY mode

End of Procedure

SPIRE is in sub-mode PDET_OFF

Reference File(s)

Input Command Sequences

Output Command Sequences

HFSPHOF

Referenced Displays

ANDs **GRDs** **SLDs**
 ZAZ92999

Configuration Control Information

DATE	FOP ISSUE	VERSION	MODIFICATION DESCRIPTION	AUTHOR	SPR REF
07/08/07		1	Created	R. Biggins	
15/01/08		2	Update due to initial testing against the simulator: - TCs updated due to new DB	R. Biggins	
29/01/08		3	Update due to changes in input file (PDET_OFF: version 4) □ - Clear/Define HK Report TCs added - Execution times removed	R. Biggins	
22/02/08		4	Update due to testing against MOC Simulator: - Time Tags updated - BBID/OBSID TM checks added - Editorial updates	R. Biggins	
03/03/08		5	Update due to comments by S. Sidher: - Telemetry checks added/removed - Telecommand parameters updated	R. Biggins	

PDET_OFF - Switch OFF the Photometer
 File: H_FCP_SPI_PHOF.xls
 Author: R. Biggins

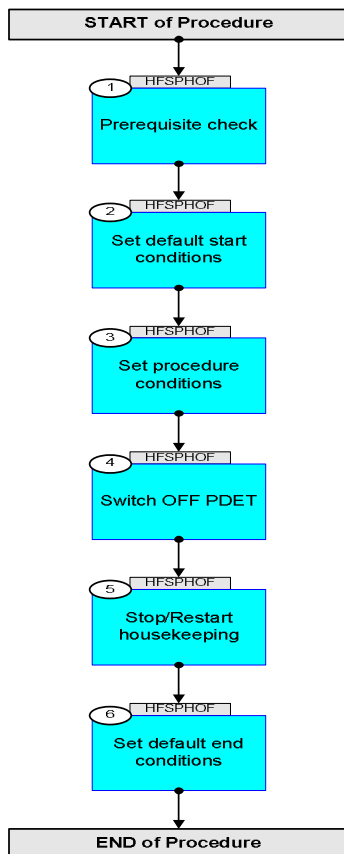


			Updates due to SVT-1 testing: <input type="checkbox"/> - TM checks added to RESET_DRCU_COUNTERS TC <input type="checkbox"/> - All DRCU commands in step 4.1 have been set for automatic dispatch with telemetry checks being moved to step 4.2 <input type="checkbox"/> - Telecommands to stop/start Nominal HK packet production is moved to new step (5) <input type="checkbox"/> - DEFINE_NEW_HK_REPORT parameter [TABLE_ID] updated (=1) <input type="checkbox"/> - Default OBSID value updated to 0x0000 0000 <input type="checkbox"/> - Flags updated <input type="checkbox"/> - Comments added/updated <input type="checkbox"/> - AND updated for all TM parameters		
19/05/08	1	6		R. Biggins	
25/03/09	2.2	6.01	Validation : SPID automatically updated	L.Lucas-hp	
05/05/09	2.4	6.02	Validation : Text updates to end state mode	L.Lucas-hp	

PDET_OFF - Switch OFF the Photometer
File: H_FCP_SPI_PHOF.xls
Author: R. Biggins



Procedure Flowchart Overview



PDET_OFF - Switch OFF the Photometer
 File: H_FCP_SPI_PHOF.xls
 Author: R. Biggins



Step No.	Time	Activity/Remarks	TC/TLM	Display/ Branch
Beginning of Procedure				
TC Seq. Name :HFSPHOF (Switch OFF PDET)				
TimeTag Type: N Sub Schedule ID: □				
1		Prerequisite check		Next Step: 2
		Verify Telemetry MODE SM00M500	= PHOTSTBY	AND=ZAZ92999
2		Set default start conditions		Next Step: 3
		Note that a TM(5,1) [New_Step_Report] is generated after every SET_OBS_STEP TC		
	ET=+ UT=+00.00.00	SET_OBS_STEP SET_OBS_STEP Command Parameter(s) : OBSERVATION_STEP SP03N500 Subsch. ID : 370 Det. descr. : SET OBSERVATION STEP	SC003500 0 <hex>	
	ET=+ UT=+00.00.01	SET_BBID SET_BBID Command Parameter(s) : BUILDING_BLOCK_ID SP01N500 Subsch. ID : 370 Det. descr. : SET BUILDING BLOCK IDENTIFIER	SC001500 80010001 <hex>	
		Verify Telemetry BBFULLTYPE SM2LN500	= ClearObs	AND=ZAZ92999
	ET=+ UT=+00.00.00	SET_OBS_STEP SET_OBS_STEP Command Parameter(s) : OBSERVATION_STEP SP03N500 Subsch. ID : 370 Det. descr. : SET OBSERVATION STEP	SC003500 1 <hex>	
	ET=+ UT=+00.00.01	SET_OBSID SET_OBSID Command Parameter(s) : OBSERVATION_ID SP00N500 Subsch. ID : 370 Det. descr. : SET OBSERVATION IDENTIFIER	SC000500 00000000 <hex>	

PDET_OFF - Switch OFF the Photometer
 File: H_FCP_SPI_PHOF.xls
 Author: R. Biggins



Step No.	Time	Activity/Remarks	TC/TLM	Display/ Branch
		Verify Telemetry OBSID SM10N500	= 00000000 <hex>	AND=ZAZ92999
	ET=+ UT=+00.00.00	SET_OBS_STEP SET_OBS_STEP Command Parameter(s) : OBSERVATION_STEP SP03N500 Subsch. ID : 370 Det. descr. : SET OBSERVATION STEP	SC003500 0 <hex>	
	ET=+ UT=+00.00.01	SET_BBID SET_BBID Command Parameter(s) : BUILDING_BLOCK_ID SP01N500 Subsch. ID : 370 Det. descr. : SET BUILDING BLOCK IDENTIFIER	SC001500 80000000 <hex>	
		Verify Telemetry BBFULLTYPE SM2LN500	= Null	AND=ZAZ92999
	ET=+ UT=+00.00.00	SET_OBS_STEP SET_OBS_STEP Command Parameter(s) : OBSERVATION_STEP SP03N500 Subsch. ID : 370 Det. descr. : SET OBSERVATION STEP	SC003500 0 <hex>	
	ET=+ UT=+00.00.01	SET_BBID SET_BBID Command Parameter(s) : BUILDING_BLOCK_ID SP01N500 Subsch. ID : 370 Det. descr. : SET BUILDING BLOCK IDENTIFIER	SC001500 80020001 <hex>	
		Verify Telemetry BBFULLTYPE SM2LN500	= StartObs	AND=ZAZ92999
3		Set procedure conditions		Next Step: 4
	ET=+ UT=+00.00.00	RESET_DRCU_COUNTERS RESET_DRCU_COUNTERS Subsch. ID : 370 Det. descr. : RESET DRCU COUNTERS	SCD00505	
		Verify that the TRESET parameter has the same value as the THSK parameter TRESET SM01T500	same as THSK	AND=ZAZ92999
		THSK SM00T500	any	AND=ZAZ92999

PDET_OFF - Switch OFF the Photometer
 File: H_FCP_SPI_PHOF.xls
 Author: R. Biggins



Step No.	Time	Activity/Remarks	TC/TLM	Display/ Branch
		Note that a TM(5,1) [New_Step_Report] is generated after every SET_OBS_STEP TC		
	ET=+ UT=+00.00.00	SET_OBS_STEP Command Parameter(s) : OBSERVATION_STEP SP03N500 Subsch. ID : 370 Det. descr. : SET OBSERVATION STEP	SC003500 1 <hex>	
	ET=+ UT=+00.00.01	SET_OBSID Command Parameter(s) : OBSERVATION_ID SP00N500 Subsch. ID : 370 Det. descr. : SET OBSERVATION IDENTIFIER	SC000500 OBS_ID	
		Verify Telemetry OBSID SM10N500	OBS_ID	AND=ZAZ92999
	ET=+ UT=+00.00.00	SET_OBS_STEP Command Parameter(s) : OBSERVATION_STEP SP03N500 Subsch. ID : 370 Det. descr. : SET OBSERVATION STEP	SC003500 0 <hex>	
	ET=+ UT=+00.00.01	SET_BBID Command Parameter(s) : BUILDING_BLOCK_ID SP01N500 Subsch. ID : 370 Det. descr. : SET BUILDING BLOCK IDENTIFIER	SC001500 80000000 <hex>	
		Verify Telemetry BBFULLTYPE SM2LN500	= Null	AND=ZAZ92999
	ET=+ UT=+00.00.00	SET_OBS_STEP Command Parameter(s) : OBSERVATION_STEP SP03N500 Subsch. ID : 370 Det. descr. : SET OBSERVATION STEP	SC003500 0 <hex>	

PDET_OFF - Switch OFF the Photometer
 File: H_FCP_SPI_PHOF.xls
 Author: R. Biggins



Step No.	Time	Activity/Remarks	TC/TLM	Display/ Branch
	ET=+ UT=+00.00.01	SET_BBID Command Parameter(s) : BUILDING_BLOCK_ID Subsch. ID : 370 Det. descr. : SET BUILDING BLOCK IDENTIFIER	SET_BBID SP01N500 85040001 <hex>	SC001500
		Verify Telemetry BBFULLTYPE	SM2LN500	= PF_BDA_Off AND=ZAZ92999
	ET=+ UT=+00.00.00	SET_OBS_MODE Command Parameter(s) : OBSERVING_MODE Subsch. ID : 370 Det. descr. : SET OBSERVING MODE	SET_OBS_MODE SP02N500 2fe <hex>	SC002500
		Verify Telemetry MODE	SM00M500	= PDET_OFF AND=ZAZ92999
4		Switch OFF PDET		Next Step: 5
4.1		Send DRCU commands		<input type="checkbox"/>
	ET=+ UT=+00.00.01	Send DRCU command to Set Drain Bias Voltage settings SEND_DRCU_COMMAND Command Parameter(s) : DRCUCOMMAND OVERRIDE Subsch. ID : 370 Det. descr. : SEND A SINGLE COMMAND TO THE DRCU	SPD4N505 SPD9N505 8413003F <hex> 0 <hex> (Def)	SCD06505
	ET=+ UT=+00.00.01	Send DRCU command to SetTC JFET Source Voltage SEND_DRCU_COMMAND Command Parameter(s) : DRCUCOMMAND OVERRIDE Subsch. ID : 370 Det. descr. : SEND A SINGLE COMMAND TO THE DRCU	SPD4N505 SPD9N505 84140000 <hex> 0 <hex> (Def)	SCD06505
	ET=+ UT=+00.00.01	Send DRCU command to Set Drain Bias Voltage settings SEND_DRCU_COMMAND Command Parameter(s) : DRCUCOMMAND OVERRIDE Subsch. ID : 370 Det. descr. : SEND A SINGLE COMMAND TO THE DRCU	SPD4N505 SPD9N505 84120000 <hex> 0 <hex> (Def)	SCD06505

PDET_OFF - Switch OFF the Photometer
 File: H_FCP_SPI_PHOF.xls
 Author: R. Biggins



Step No.	Time	Activity/Remarks	TC/TLM	Display/ Branch
	ET=+ UT=+00.00.01	Send DRCU command to SetPSW JFET Source Voltage (Ch 1) SEND_DRCU_COMMAND Command Parameter(s) : DRCUCOMMAND SPD4N505 OVERRIDE SPD9N505 Subsch. ID : 370 Det. descr. : SEND A SINGLE COMMAND TO THE DRCU	SCD06505 84050000 <hex> 0 <hex> (Def)	
	ET=+ UT=+00.00.01	Send DRCU command to SetPSW JFET Source Voltage (Ch 2) SEND_DRCU_COMMAND Command Parameter(s) : DRCUCOMMAND SPD4N505 OVERRIDE SPD9N505 Subsch. ID : 370 Det. descr. : SEND A SINGLE COMMAND TO THE DRCU	SCD06505 84060000 <hex> 0 <hex> (Def)	
	ET=+ UT=+00.00.01	Send DRCU command to SetPSW JFET Source Voltage (Ch 3) SEND_DRCU_COMMAND Command Parameter(s) : DRCUCOMMAND SPD4N505 OVERRIDE SPD9N505 Subsch. ID : 370 Det. descr. : SEND A SINGLE COMMAND TO THE DRCU	SCD06505 84070000 <hex> 0 <hex> (Def)	
	ET=+ UT=+00.00.01	Send DRCU command to SetPSW JFET Source Voltage (Ch 4) SEND_DRCU_COMMAND Command Parameter(s) : DRCUCOMMAND SPD4N505 OVERRIDE SPD9N505 Subsch. ID : 370 Det. descr. : SEND A SINGLE COMMAND TO THE DRCU	SCD06505 84080000 <hex> 0 <hex> (Def)	
	ET=+ UT=+00.00.01	Send DRCU command to SetPSW JFET Source Voltage (Ch 5) SEND_DRCU_COMMAND Command Parameter(s) : DRCUCOMMAND SPD4N505 OVERRIDE SPD9N505 Subsch. ID : 370 Det. descr. : SEND A SINGLE COMMAND TO THE DRCU	SCD06505 84090000 <hex> 0 <hex> (Def)	

PDET_OFF - Switch OFF the Photometer
 File: H_FCP_SPI_PHOF.xls
 Author: R. Biggins



Step No.	Time	Activity/Remarks	TC/TLM	Display/ Branch
	ET=+ UT=+00.00.01	Send DRCU command to SetPSW JFET Source Voltage (Ch 6) SEND_DRCU_COMMAND Command Parameter(s) : DRCUCOMMAND SPD4N505 OVERRIDE SPD9N505 Subsch. ID : 370 Det. descr. : SEND A SINGLE COMMAND TO THE DRCU	SCD06505 840A0000 <hex> 0 <hex> (Def)	
	ET=+ UT=+00.00.01	Send DRCU command to Set Drain Bias Voltage settings SEND_DRCU_COMMAND Command Parameter(s) : DRCUCOMMAND SPD4N505 OVERRIDE SPD9N505 Subsch. ID : 370 Det. descr. : SEND A SINGLE COMMAND TO THE DRCU	SCD06505 84130030 <hex> 0 <hex> (Def)	
	ET=+ UT=+00.00.01	Send DRCU command to SetPMW JFET Source Voltage (Ch 1) SEND_DRCU_COMMAND Command Parameter(s) : DRCUCOMMAND SPD4N505 OVERRIDE SPD9N505 Subsch. ID : 370 Det. descr. : SEND A SINGLE COMMAND TO THE DRCU	SCD06505 840B0000 <hex> 0 <hex> (Def)	
	ET=+ UT=+00.00.01	Send DRCU command to SetPMW JFET Source Voltage (Ch 2) SEND_DRCU_COMMAND Command Parameter(s) : DRCUCOMMAND SPD4N505 OVERRIDE SPD9N505 Subsch. ID : 370 Det. descr. : SEND A SINGLE COMMAND TO THE DRCU	SCD06505 840C0000 <hex> 0 <hex> (Def)	
	ET=+ UT=+00.00.01	Send DRCU command to SetPMW JFET Source Voltage (Ch 3) SEND_DRCU_COMMAND Command Parameter(s) : DRCUCOMMAND SPD4N505 OVERRIDE SPD9N505 Subsch. ID : 370 Det. descr. : SEND A SINGLE COMMAND TO THE DRCU	SCD06505 840D0000 <hex> 0 <hex> (Def)	

PDET_OFF - Switch OFF the Photometer
 File: H_FCP_SPI_PHOF.xls
 Author: R. Biggins



Step No.	Time	Activity/Remarks	TC/TLM	Display/ Branch
	ET=+ UT=+00.00.01	Send DRCU command to SetPMW JFET Source Voltage (Ch 4) SEND_DRCU_COMMAND Command Parameter(s) : DRCUCOMMAND SPD4N505 OVERRIDE SPD9N505 Subsch. ID : 370 Det. descr. : SEND A SINGLE COMMAND TO THE DRCU	SCD06505 840E0000 <hex> 0 <hex> (Def)	
	ET=+ UT=+00.00.01	Send DRCU command to Set Drain Bias Voltage settings SEND_DRCU_COMMAND Command Parameter(s) : DRCUCOMMAND SPD4N505 OVERRIDE SPD9N505 Subsch. ID : 370 Det. descr. : SEND A SINGLE COMMAND TO THE DRCU	SCD06505 84130000 <hex> 0 <hex> (Def)	
	ET=+ UT=+00.00.01	Send DRCU command to SetPLW JFET Source Voltage (Ch 1) SEND_DRCU_COMMAND Command Parameter(s) : DRCUCOMMAND SPD4N505 OVERRIDE SPD9N505 Subsch. ID : 370 Det. descr. : SEND A SINGLE COMMAND TO THE DRCU	SCD06505 840F0000 <hex> 0 <hex> (Def)	
	ET=+ UT=+00.00.01	Send DRCU command to SetPLW JFET Source Voltage (Ch 2) SEND_DRCU_COMMAND Command Parameter(s) : DRCUCOMMAND SPD4N505 OVERRIDE SPD9N505 Subsch. ID : 370 Det. descr. : SEND A SINGLE COMMAND TO THE DRCU	SCD06505 84100000 <hex> 0 <hex> (Def)	
	ET=+ UT=+00.00.01	Send DRCU command to SetPhaseShift (SW Channels) SEND_DRCU_COMMAND Command Parameter(s) : DRCUCOMMAND SPD4N505 OVERRIDE SPD9N505 Subsch. ID : 370 Det. descr. : SEND A SINGLE COMMAND TO THE DRCU	SCD06505 841A0000 <hex> 0 <hex> (Def)	

PDET_OFF - Switch OFF the Photometer
 File: H_FCP_SPI_PHOF.xls
 Author: R. Biggins



Step No.	Time	Activity/Remarks	TC/TLM	Display/ Branch
	ET=+ UT=+00.00.01	Send DRCU command to SetPhaseShift (MW Channels) SEND_DRCU_COMMAND Command Parameter(s) : DRCUCOMMAND SPD4N505 OVERRIDE SPD9N505 Subsch. ID : 370 Det. descr. : SEND A SINGLE COMMAND TO THE DRCU	SCD06505 841B0000 <hex> 0 <hex> (Def)	
	ET=+ UT=+00.00.01	Send DRCU command to SetPhaseShift (LW Channels) SEND_DRCU_COMMAND Command Parameter(s) : DRCUCOMMAND SPD4N505 OVERRIDE SPD9N505 Subsch. ID : 370 Det. descr. : SEND A SINGLE COMMAND TO THE DRCU	SCD06505 841C0000 <hex> 0 <hex> (Def)	
	ET=+ UT=+00.00.01	Send DRCU command to SetPhaseShift (TC Channels) SEND_DRCU_COMMAND Command Parameter(s) : DRCUCOMMAND SPD4N505 OVERRIDE SPD9N505 Subsch. ID : 370 Det. descr. : SEND A SINGLE COMMAND TO THE DRCU	SCD06505 841D0000 <hex> 0 <hex> (Def)	
	ET=+ UT=+00.00.01	Send DRCU command to SetPhotoBiasAmpl (SW Channels) SEND_DRCU_COMMAND Command Parameter(s) : DRCUCOMMAND SPD4N505 OVERRIDE SPD9N505 Subsch. ID : 370 Det. descr. : SEND A SINGLE COMMAND TO THE DRCU	SCD06505 84010000 <hex> 0 <hex> (Def)	
	ET=+ UT=+00.00.01	Send DRCU command to SetPhotoBiasAmpl (MW Channels) SEND_DRCU_COMMAND Command Parameter(s) : DRCUCOMMAND SPD4N505 OVERRIDE SPD9N505 Subsch. ID : 370 Det. descr. : SEND A SINGLE COMMAND TO THE DRCU	SCD06505 84020000 <hex> 0 <hex> (Def)	
	ET=+ UT=+00.00.01	Send DRCU command to SetPhotoBiasAmpl (LW Channels) SEND_DRCU_COMMAND Command Parameter(s) : DRCUCOMMAND SPD4N505 OVERRIDE SPD9N505 Subsch. ID : 370 Det. descr. : SEND A SINGLE COMMAND TO THE DRCU	SCD06505 84030000 <hex> 0 <hex> (Def)	

PDET_OFF - Switch OFF the Photometer
 File: H_FCP_SPI_PHOF.xls
 Author: R. Biggins



Step No.	Time	Activity/Remarks	TC/TLM	Display/ Branch
	ET=+ UT=+00.00.01	Send DRCU command to SetPhotoBiasAmpl (TC Channels) SEND_DRCU_COMMAND Command Parameter(s) : DRCUCOMMAND SPD4N505 OVERRIDE SPD9N505 Subsch. ID : 370 Det. descr. : SEND A SINGLE COMMAND TO THE DRCU	SCD06505 84040000 <hex> 0 <hex> (Def)	
	ET=+ UT=+00.00.01	Send DRCU command to SetDRelOnOff SEND_DRCU_COMMAND Command Parameter(s) : DRCUCOMMAND SPD4N505 OVERRIDE SPD9N505 Subsch. ID : 370 Det. descr. : SEND A SINGLE COMMAND TO THE DRCU	SCD06505 A0870004 <hex> 0 <hex> (Def)	
4.2		Verify Telemetry		<input type="checkbox"/>
		Verify Telemetry PLIABITSTAT SM_0X520	= OFF	AND=ZAZ92999
		Verify Telemetry PSWJFETSTAT SM20F510	= 0 <hex>	AND=ZAZ92999
		Verify Telemetry PMLWJFETSTAT SM80F510	= 0 <hex>	AND=ZAZ92999
		Verify Telemetry PSWJFET1V SM20V510	= 0.0 V	AND=ZAZ92999
		Verify Telemetry PSWJFET2V SM21V510	= 0.0 V	AND=ZAZ92999
		Verify Telemetry PSWJFET3V SM22V510	= 0.0 V	AND=ZAZ92999
		Verify Telemetry PSWJFET4V SM23V510	= 0.0 V	AND=ZAZ92999
		Verify Telemetry PSWJFET5V SM24V510	= 0.0 V	AND=ZAZ92999
		Verify Telemetry PSWJFET6V SM25V510	= 0.0 V	AND=ZAZ92999
		Verify Telemetry PMWJFET1V SM30V510	= 0.0 V	AND=ZAZ92999
		Verify Telemetry PMWJFET2V SM31V510	= 0.0 V	AND=ZAZ92999
		Verify Telemetry PMWJFET3V SM32V510	= 0.0 V	AND=ZAZ92999

PDET_OFF - Switch OFF the Photometer
 File: H_FCP_SPI_PHOF.xls
 Author: R. Biggins



Step No.	Time	Activity/Remarks	TC/TLM	Display/ Branch
		Verify Telemetry PMWJFET4V SM33V510	= 0.0 V	AND=ZAZ92999
		Verify Telemetry PLWJFET1V SM50V510	= 0.0 V	AND=ZAZ92999
		Verify Telemetry PLWJFET2V SM51V510	= 0.0 V	AND=ZAZ92999
		Verify Telemetry PLIAP5V SML0V510	= 0.0 V	AND=ZAZ92999
		Verify Telemetry PLIAP9V SML1V510	= 0.0 V	AND=ZAZ92999
		Verify Telemetry PLIAM9V SML2V510	= 0.0 V	AND=ZAZ92999
4.3		Set Mode		<input type="checkbox"/>
	ET=+ UT=+00.00.00	SET_OBS_MODE SET_OBS_MODE Command Parameter(s) : OBSERVING_MODE SP02N500 Subsch. ID : 370 Det. descr. : SET OBSERVING MODE	SC002500 2FE <hex>	
		Verify Telemetry MODE SM00M500	= PDET_OFF	AND=ZAZ92999
5		Stop/Restart housekeeping		Next Step: 6
	ET=+ UT=+00.00.00	Execute Telecommand CLEAR_HK_REPORT Command Parameter(s) : PCKTID_CLEARHK SPR6N500 Subsch. ID : 370 Det. descr. : CLEAR HOUSEKEEPING PARAMETER REPORT DEFINITION	SCR01500 301 <hex>	
		Verify: Packet has stopped being produced Nominal_HK_Parameter_Report Packet Details: APID: 1282 Type: 3 Subtype: 25 PI1: 769 PI2:	SNOMHK000559	

PDET_OFF - Switch OFF the Photometer
 File: H_FCP_SPI_PHOF.xls
 Author: R. Biggins



Step No.	Time	Activity/Remarks	TC/TLM	Display/ Branch
	ET=+ UT=+00.00.10	Execute Telecommand DEFINE_NEW_HK_REPORT Command Parameter(s) : HKPCKTID_DEFINENEWHK SPR0N500 HKSID_DEFINENEWHK SPR1N500 HKINTERVAL_DEFINENEWHK SPR2N500 HKREPEAT_DEFINENEWHK SPR3N500 TABLEID_DEFINENEWHK SPR4N500 Subsch. ID : 370 Det. descr. : DEFINE NEW HOUSEKEEPING PARAMETER REPORT	SCR00500 301 <hex> 301 <hex> FA0 <hex> 1 <hex> 1 <hex>	
		Verify: Packet is being produced Nominal_HK_Parameter_Report Packet Details: APID: 1282 Type: 3 Subtype: 25 PI1: 769 PI2:	SNOMHK000559 1282 3 25 769	
6		Set default end conditions		Next Step: END
	ET=+ UT=+00.00.00	SET_OBS_STEP SET_OBS_STEP Command Parameter(s) : OBSERVATION_STEP SP03N500 Subsch. ID : 370 Det. descr. : SET OBSERVATION STEP	SC003500 0 <hex>	
	ET=+ UT=+00.00.01	SET_BBID SET_BBID Command Parameter(s) : BUILDING_BLOCK_ID SP01N500 Subsch. ID : 370 Det. descr. : SET BUILDING BLOCK IDENTIFIER	SC001500 80000000 <hex>	
		Verify Telemetry BBFULLTYPE SM2LN500	= Null	AND=ZAZ92999
	ET=+ UT=+00.00.00	SET_OBS_STEP SET_OBS_STEP Command Parameter(s) : OBSERVATION_STEP SP03N500 Subsch. ID : 370 Det. descr. : SET OBSERVATION STEP	SC003500 0 <hex>	

PDET_OFF - Switch OFF the Photometer
 File: H_FCP_SPI_PHOF.xls
 Author: R. Biggins



Step No.	Time	Activity/Remarks	TC/TLM	Display/ Branch
	ET=+ UT=+00.00.01	SET_BBID Command Parameter(s) : BUILDING_BLOCK_ID Subsch. ID : 370 Det. descr. : SET BUILDING BLOCK IDENTIFIER	SET_BBID SP01N500 80030001 <hex>	SC001500
		Verify Telemetry BBFULLTYPE	SM2LN500	= EndObs AND=ZAZ92999
	ET=+ UT=+00.00.00	SET_OBS_STEP Command Parameter(s) : OBSERVATION_STEP Subsch. ID : 370 Det. descr. : SET OBSERVATION STEP	SET_OBS_STEP SP03N500 1 <hex>	SC003500
	ET=+ UT=+00.00.01	SET_OBSID Command Parameter(s) : OBSERVATION_ID Subsch. ID : 370 Det. descr. : SET OBSERVATION IDENTIFIER	SET_OBSID SP00N500 00000000 <hex>	SC000500
		Verify Telemetry OBSID	SM10N500	= 00000000 <hex> AND=ZAZ92999
	ET=+ UT=+00.00.00	SET_OBS_STEP Command Parameter(s) : OBSERVATION_STEP Subsch. ID : 370 Det. descr. : SET OBSERVATION STEP	SET_OBS_STEP SP03N500 0 <hex>	SC003500
	ET=+ UT=+00.00.01	SET_BBID Command Parameter(s) : BUILDING_BLOCK_ID Subsch. ID : 370 Det. descr. : SET BUILDING BLOCK IDENTIFIER	SET_BBID SP01N500 80000000 <hex>	SC001500
		Verify Telemetry BBFULLTYPE	SM2LN500	= Null AND=ZAZ92999
End of Procedure				