

Patch a new OBSM image from the ASW  
 File: H\_FCP\_SPI\_CPOM.xls  
 Author: R. Biggins



## Procedure Summary

### Objectives

The objective of this procedure is to patch the OBSW image via the ASW

### Summary of Constraints

### Spacecraft Configuration

**Start of Procedure**

SPIRE is in DPU\_ON mode

**End of Procedure**

SPIRE is in DPU\_ON mode

### Reference File(s)

**Input Command Sequences**

**Output Command Sequences**

HFSCPOM

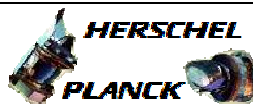
### Referenced Displays

**ANDs**      **GRDs**      **SLDs**  
 ZAZ96999

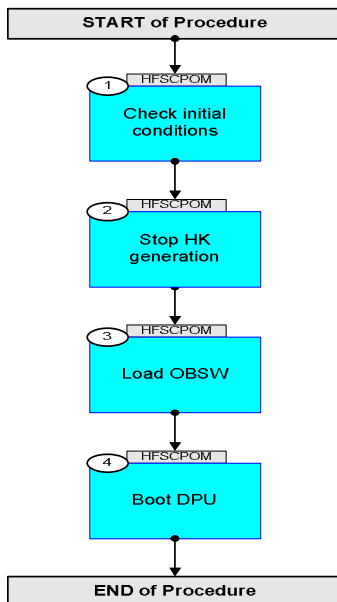
### Configuration Control Information

DATE	FOP ISSUE	VERSION	MODIFICATION DESCRIPTION	AUTHOR	SPR REF
18/01/08		1	Created	R. Biggins	
			Updates due to SVT-1 testing: <ul style="list-style-type: none"> <li>- TM checks added at end to verify software version</li> <li>- flags updated</li> <li>- comments added/updated</li> </ul>		
19/05/08	1	2	- AND updated for all TM parameters	R. Biggins	

Patch a new OBSM image from the ASW  
File: H\_FCP\_SPI\_CPOM.xls  
Author: R. Biggins



## Procedure Flowchart Overview



Patch a new OBSM image from the ASW  
 File: H\_FCP\_SPI\_CPOM.xls  
 Author: R. Biggins



Step No.	Time	Activity/Remarks	TC/TLM	Display/ Branch
<b>Beginning of Procedure</b>				
HFSCPOM Patch OBSM - ASW				
SSID :				
1		Check initial conditions		Next Step: 2
1.1		SPIRE input		<input type="checkbox"/>
		Verify that the correct information has been supplied by the ICC:  Software Image (verify with OBSM engineer)		
1.2		Verify Mode		<input type="checkbox"/>
		Verify Telemetry  MODE SM00M500 = DPU_ON		AND=ZAZ96999
2		Stop HK generation		Next Step: 3
	ET= UT=+00.00.00	Execute Telecommand  CLEAR_HK_REPORT  Command Parameter(s) : PCKTID_CLEARHK SPR6N500  SSID : 370	SCR01500  301 <hex>	
		Verify that the Nominal Housekeeping is not being generated [TM(3,35), APID 1282 or 1283].		
3		Load OBSW		Next Step: 4
3.1		Copy OBS to PM HIGH		<input type="checkbox"/>
		Execute Telecommand  CLONE_OBS  Command Parameter(s) : DEST_ADDR_CLONEOBS SPMFN500 N_PMWORDS_CLONEOBS SPMRN500  SSID : 370	SCM06500  20000 <oct> 171EC <hex>	
3.2		Load OBSW		<input type="checkbox"/>

Patch a new OBSM image from the ASW  
 File: H\_FCP\_SPI\_CPOM.xls  
 Author: R. Biggins



Step No.	Time	Activity/Remarks	TC/TLM	Display/ Branch
		OBSM engineer to run the procedure H_FCP_OBS_5110 to generate the saved stack files for upload.		
		<i>The OBSM procedure will generate a saved stack file and uplink the patch commands to SPIRE. It will also verify that the patch is successful by checksum verification of the on-board image.</i>		
4		Boot DPU		Next Step: END
		Execute Telecommand  <div style="text-align: center;"> <b>COMMIT_OBS_AND_REBOOT</b> </div> Command Parameter(s) : <div style="display: flex; justify-content: space-between;"> <div style="text-align: center;"> <b>FROM_ADDR_COMMITOBS</b>  <b>N_PMWORDS_COMMITOBS</b> </div> <div style="text-align: center;"> <b>SPMSN500</b>  <b>SPMTN500</b> </div> <div style="text-align: center;"> <b>20000 &lt;hex&gt;</b>  <b>171EC &lt;hex&gt;</b> </div> </div> SSID : 370	SCM07500	
4.1		Verify current software		<input type="checkbox"/>
		Verify Telemetry  <div style="display: flex; justify-content: space-between;"> <div style="text-align: center;"><b>MODE</b></div> <div style="text-align: center;"><b>SM00M500</b></div> <div style="text-align: center;"><b>= DPU_ON</b></div> </div>		AND=ZAZ96999
		The following version check should ensure that the expected software version is running.		
		Verify Telemetry  <div style="display: flex; justify-content: space-between;"> <div style="text-align: center;"><b>OBSVER1</b></div> <div style="text-align: center;"><b>SM0EN500</b></div> <div style="text-align: center;"><b>Version</b></div> </div>		AND=ZAZ96999
		Verify Telemetry  <div style="display: flex; justify-content: space-between;"> <div style="text-align: center;"><b>OBSVER2</b></div> <div style="text-align: center;"><b>SM0FN500</b></div> <div style="text-align: center;"><b>Sub-version</b></div> </div>		AND=ZAZ96999
		Verify Telemetry  <div style="display: flex; justify-content: space-between;"> <div style="text-align: center;"><b>OBSVER3</b></div> <div style="text-align: center;"><b>SM05F500</b></div> <div style="text-align: center;"><b>Revision</b></div> </div>		AND=ZAZ96999
<b>End of Procedure</b>				