

Herschel SREM Switch OFF
 File: H_FCP_RM_OFF.xls
 Author: F. Keck

Herschel/Planck



Procedure Summary

Objectives

To switch SREM off.

Summary of Constraints

No redundancy.
 PCDU Management Function must be enabled.

Spacecraft Configuration

Start of Procedure

SREM ON

End of Procedure

SREM OFF

Reference File(s)

Input Command Sequences

Output Command Sequences

HFM0020

Referenced Displays

ANDs GRDs SLDs
 (None)

Configuration Control Information

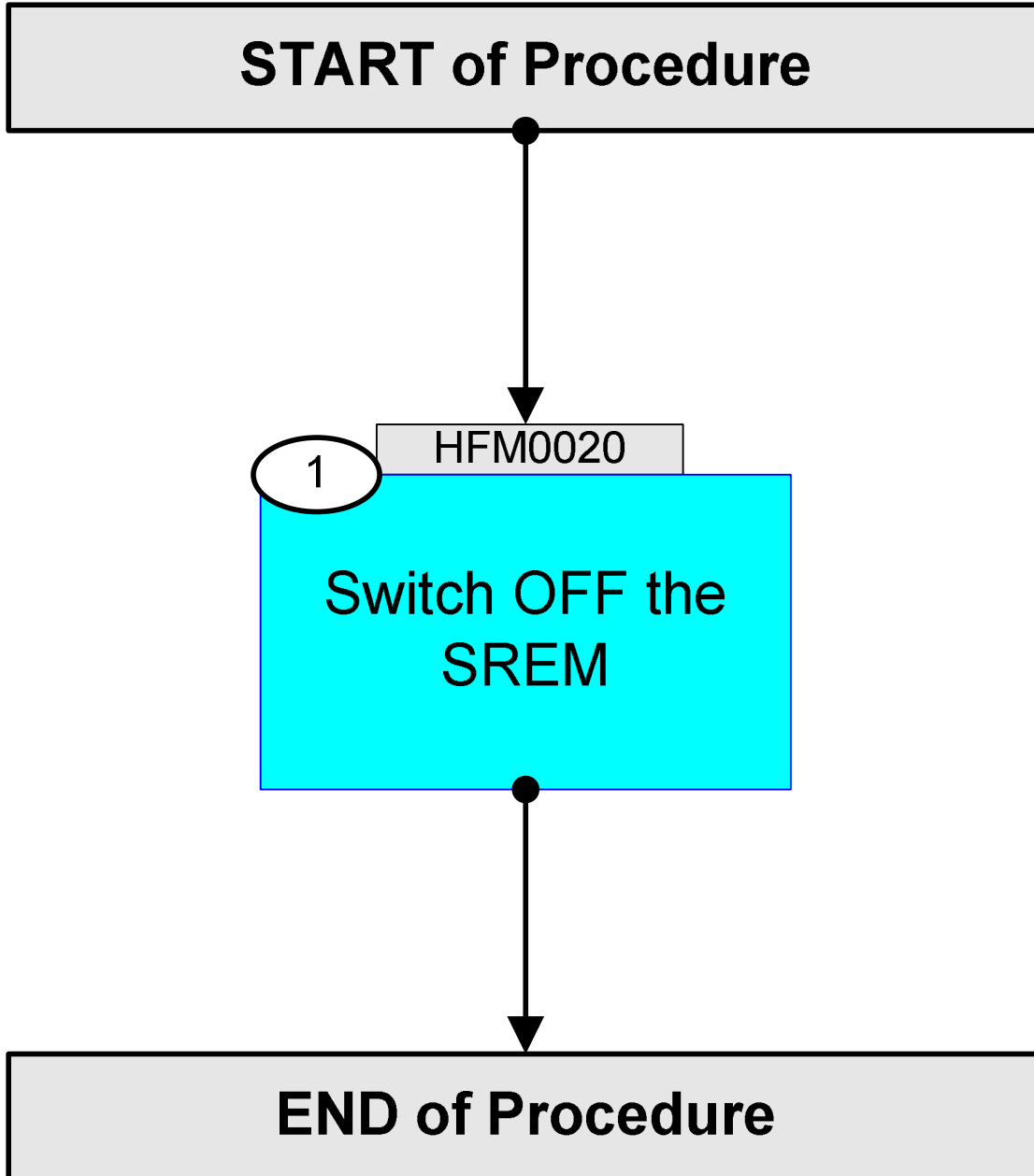
DATE	FOP ISSUE	VERSION	MODIFICATION DESCRIPTION	AUTHOR	SPR REF
23/11/07		1	Created	F. Keck	
20/12/07		2	Database update	F. Keck	
28/01/08		3	Database Update	F. Keck	
11/03/08		3.01	Validation : Database update	F. Keck	
28/07/08	1	4		F. Keck	

Herschel SREM Switch OFF
File: H_FCP_RM_OFF.xls
Author: F. Keck

Herschel/Planck



Procedure Flowchart Overview



Herschel SREM Switch OFF
 File: H_FCP_RM_OFF.xls
 Author: F. Keck

Herschel/Planck



Step No.	Time	Activity/Remarks	TC/TLM	Display/ Branch
Beginning of Procedure				
HFM0020 SREM Switch OFF				
SSID :				
1		Switch OFF the SREM		Next Step: END
		PCDU Management Function must be enabled before this TC can take effect. Send TC(8,4,112,3) to switch OFF the SREM (PCDU LCL 19).		
		Execute Telecommand TC Control Flags : SSID : 50	SwOff_SREM_L19 GBM IL DSE --Y -- ---	DC19B170
		Verify Telemetry SREM_L19_S WM32B565	= OFF	(None)
		Verify Telemetry Srem_L19_I WM307565	= 0.0 A	(None)
End of Procedure				