

PACS_Switch_Off_Redundant
 File: H_FCP_PAC_RSOF.xls
 Author: R. Biggins



Procedure Summary

Objectives

The objective of this procedure is to switch off the redundant PACS units

- Transition to SAFE mode
- Set BOL detector bias values
- Set BOLC temperature probes
- Disable EAT actions
- Switch OFF SPU, DMC and BOLC
- Disable RT interrogations
- Switch OFF DPU
- Enable EAT actions
- Update UIU table

Basen on procedure:
 PACS_Switch_Off_Redundant_28_07_2007_01

Summary of Constraints

This procedure should be executed on PACS request only

Spacecraft Configuration

Start of Procedure

PACS is in any mode

End of Procedure

- PACS is powered OFF
- All PACS units powered off
 - UIU table shows PACS units OFF

Reference File(s)

Input Command Sequences

Output Command Sequences

HFPRSOF

Referenced Displays

ANDs **GRDs** **SLDs**
 ZAZ97999
 ZAZA0999

Configuration Control Information

DATE	FOP ISSUE	VERSION	MODIFICATION DESCRIPTION	AUTHOR	SPR REF
20/09/2007		1	Created	R. Biggins	
22/11/2007		1.01	Validation : Time tags added to SVM commands	R. Biggins	
18/01/2008		2	Update due to initial testing against the simulator: - TCs updated due to new DB - Execution times removed	R. Biggins	

PACS_Switch_Off_Redundant
 File: H_FCP_PAC_RSOF.xls
 Author: R. Biggins

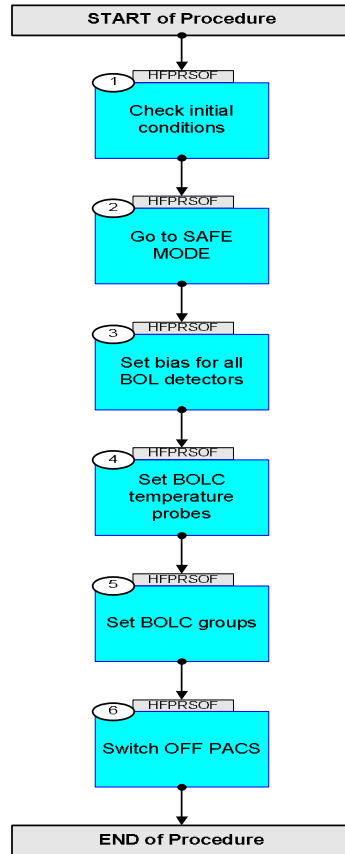


27/05/2008	1	3	Updates due to SVT-1 testing: <ul style="list-style-type: none"> - TC to disable/enable FDIR removed - TCs added to disable/enable OBCPs - TC to disable RT interrogations moved directly before DPU switch off - Comments added/updated - Flags updated - AND updated for all TM parameters 	R. Biggins	
23/10/2008		4	Updates due to new procedures from industry <ul style="list-style-type: none"> - TC DC005161 database definition updated - New step added to update UIU table 	R. Biggins	
10/12/2008	2	5	Updates due to testing <ul style="list-style-type: none"> - TC DCT85170 corrected to DCT84170 in step 6.5 	R. Biggins	
12/03/2009	2.2	6	Final updates before flight <ul style="list-style-type: none"> - Summary updated - TC flags updated - Procedure description/title updated - Enable/Disable Actions TCs updated 	R. Biggins	
18/08/2009		7	<ul style="list-style-type: none"> - TCs to disable and enable OBCPs updated - TC added to verify OBCP state 	R. Biggins	
22/09/2009	2.5	8	<ul style="list-style-type: none"> - TCs to disable and enable OBCPs updated 	R. Biggins	
11/08/2011	3.1	8.01	Validation : Comment added to step 1	R. Biggins	

PACS_Switch_Off_Redundant
File: H_FCP_PAC_RSOF.xls
Author: R. Biggins



Procedure Flowchart Overview



PACS_Switch_Off_Redundant
 File: H_FCP_PAC_RSOF.xls
 Author: R. Biggins



Step No.	Time	Activity/Remarks	TC/TLM	Display/ Branch
Beginning of Procedure				
TC Seq. Name : HFPRSOF (Switch OFF PACS (R)) TimeTag Type: N Sub Schedule ID: <input type="checkbox"/>				
1		Check initial conditions		Next Step: 2
		Verify: Check whether the PACS MTL needs to be disabled (if so, procedure H_FCP_DHS_1017 can be used to disable it)		
1.1		Redundant instrument LCLs		<input type="checkbox"/>
		Verify Telemetry PacsD_R_L42_S WM42B565 = ON		AND=ZAZ97999
		Verify Telemetry PacsS_R_L36_S WM62A565 = ON or OFF		AND=ZAZ97999
		Verify Telemetry PacsB_R_L28_1S WM32D565 = ON or OFF		AND=ZAZ97999
		Verify Telemetry PacsMec2_L69_1S WM62E565 = ON or OFF		AND=ZAZ97999
2		Go to SAFE MODE		Next Step: 3
		Sending this TC will generate a TM(5,1) [EVENT_REPORT_5_28 - Unexp 1355 ACK] packet.		
	ET=+ UT=+00.00.00	DPU_START_OBCP_RAW DPU_START_OBCP Command Parameter(s) : PROCEDURE_ID PP012380 NUMBER_OF_TIMES PP010380 TC Control Flags : GBM IL DSE --Y -- --- Subsch. ID : 90 Det. descr. : START AN OBCP WITH THE COMMANDED PARAMETERS	PC012380 24 <dec> 0 <dec>	
		Verify Telemetry DP_TM_RATE PM049380 = NO PRIME		AND=ZAZ97999
3		Set bias for all BOL detectors		Next Step: 4

PACS_Switch_Off_Redundant
 File: H_FCP_PAC_RSOF.xls
 Author: R. Biggins



Step No.	Time	Activity/Remarks	TC/TLM	Display/ Branch
	ET=+ UT=+00.00.12	DMC_SEND_COMMAND_BOLC <p style="text-align: right;">DMC_SEND_COMMAND_BOLC</p> Command Parameter(s) : BOLOMETER_COMMAND PP071420 TC Control Flags : GBM IL DSE --Y -- --- Subsch. ID : 90 Det. descr. : SEND COMMAND TO BOL CONTROLLER	PC103420 20000 <hex>	
	ET=+ UT=+00.00.01	DMC_SEND_COMMAND_BOLC <p style="text-align: right;">DMC_SEND_COMMAND_BOLC</p> Command Parameter(s) : BOLOMETER_COMMAND PP071420 Subsch. ID : 90 Det. descr. : SEND COMMAND TO BOL CONTROLLER	PC103420 50000 <hex>	
	ET=+ UT=+00.00.01	DMC_SEND_COMMAND_BOLC <p style="text-align: right;">DMC_SEND_COMMAND_BOLC</p> Command Parameter(s) : BOLOMETER_COMMAND PP071420 Subsch. ID : 90 Det. descr. : SEND COMMAND TO BOL CONTROLLER	PC103420 10000 <hex>	
	ET=+ UT=+00.00.01	DMC_SEND_COMMAND_BOLC <p style="text-align: right;">DMC_SEND_COMMAND_BOLC</p> Command Parameter(s) : BOLOMETER_COMMAND PP071420 Subsch. ID : 90 Det. descr. : SEND COMMAND TO BOL CONTROLLER	PC103420 30000 <hex>	
	ET=+ UT=+00.00.01	DMC_SEND_COMMAND_BOLC <p style="text-align: right;">DMC_SEND_COMMAND_BOLC</p> Command Parameter(s) : BOLOMETER_COMMAND PP071420 Subsch. ID : 90 Det. descr. : SEND COMMAND TO BOL CONTROLLER	PC103420 40000 <hex>	
	ET=+ UT=+00.00.01	DMC_SEND_COMMAND_BOLC <p style="text-align: right;">DMC_SEND_COMMAND_BOLC</p> Command Parameter(s) : BOLOMETER_COMMAND PP071420 Subsch. ID : 90 Det. descr. : SEND COMMAND TO BOL CONTROLLER	PC103420 60000 <hex>	

PACS_Switch_Off_Redundant
 File: H_FCP_PAC_RSOF.xls
 Author: R. Biggins



Step No.	Time	Activity/Remarks	TC/TLM	Display/ Branch
	ET=+ UT=+00.00.01	DMC_SEND_COMMAND_BOLC DMC_SEND_COMMAND_BOLC Command Parameter(s) : BOLOMETER_COMMAND PP071420 Subsch. ID : 90 Det. descr. : SEND COMMAND TO BOL CONTROLLER	PC103420 80000 <hex>	
	ET=+ UT=+00.00.01	DMC_SEND_COMMAND_BOLC DMC_SEND_COMMAND_BOLC Command Parameter(s) : BOLOMETER_COMMAND PP071420 Subsch. ID : 90 Det. descr. : SEND COMMAND TO BOL CONTROLLER	PC103420 70000 <hex>	
	ET=+ UT=+00.00.01	DMC_SEND_COMMAND_BOLC DMC_SEND_COMMAND_BOLC Command Parameter(s) : BOLOMETER_COMMAND PP071420 Subsch. ID : 90 Det. descr. : SEND COMMAND TO BOL CONTROLLER	PC103420 100000 <hex>	
	ET=+ UT=+00.00.01	DMC_SEND_COMMAND_BOLC DMC_SEND_COMMAND_BOLC Command Parameter(s) : BOLOMETER_COMMAND PP071420 Subsch. ID : 90 Det. descr. : SEND COMMAND TO BOL CONTROLLER	PC103420 f0000 <hex>	
	ET=+ UT=+00.00.01	DMC_SEND_COMMAND_BOLC DMC_SEND_COMMAND_BOLC Command Parameter(s) : BOLOMETER_COMMAND PP071420 Subsch. ID : 90 Det. descr. : SEND COMMAND TO BOL CONTROLLER	PC103420 90000 <hex>	
	ET=+ UT=+00.00.01	DMC_SEND_COMMAND_BOLC DMC_SEND_COMMAND_BOLC Command Parameter(s) : BOLOMETER_COMMAND PP071420 Subsch. ID : 90 Det. descr. : SEND COMMAND TO BOL CONTROLLER	PC103420 a0000 <hex>	

PACS_Switch_Off_Redundant
 File: H_FCP_PAC_RSOF.xls
 Author: R. Biggins



Step No.	Time	Activity/Remarks	TC/TLM	Display/ Branch
	ET=+ UT=+00.00.01	DMC_SEND_COMMAND_BOLC DMC_SEND_COMMAND_BOLC Command Parameter(s) : BOLOMETER_COMMAND PP071420 Subsch. ID : 90 Det. descr. : SEND COMMAND TO BOL CONTROLLER	PC103420 b0000 <hex>	
	ET=+ UT=+00.00.01	DMC_SEND_COMMAND_BOLC DMC_SEND_COMMAND_BOLC Command Parameter(s) : BOLOMETER_COMMAND PP071420 Subsch. ID : 90 Det. descr. : SEND COMMAND TO BOL CONTROLLER	PC103420 c0000 <hex>	
	ET=+ UT=+00.00.01	DMC_SEND_COMMAND_BOLC DMC_SEND_COMMAND_BOLC Command Parameter(s) : BOLOMETER_COMMAND PP071420 Subsch. ID : 90 Det. descr. : SEND COMMAND TO BOL CONTROLLER	PC103420 d0000 <hex>	
	ET=+ UT=+00.00.01	DMC_SEND_COMMAND_BOLC DMC_SEND_COMMAND_BOLC Command Parameter(s) : BOLOMETER_COMMAND PP071420 Subsch. ID : 90 Det. descr. : SEND COMMAND TO BOL CONTROLLER	PC103420 e0000 <hex>	
	ET=+ UT=+00.00.01	DMC_SEND_COMMAND_BOLC DMC_SEND_COMMAND_BOLC Command Parameter(s) : BOLOMETER_COMMAND PP071420 Subsch. ID : 90 Det. descr. : SEND COMMAND TO BOL CONTROLLER	PC103420 120000 <hex>	
	ET=+ UT=+00.00.01	DMC_SEND_COMMAND_BOLC DMC_SEND_COMMAND_BOLC Command Parameter(s) : BOLOMETER_COMMAND PP071420 Subsch. ID : 90 Det. descr. : SEND COMMAND TO BOL CONTROLLER	PC103420 140000 <hex>	

PACS_Switch_Off_Redundant
 File: H_FCP_PAC_RSOF.xls
 Author: R. Biggins



Step No.	Time	Activity/Remarks	TC/TLM	Display/ Branch
	ET=+ UT=+00.00.01	DMC_SEND_COMMAND_BOLC DMC_SEND_COMMAND_BOLC Command Parameter(s) : BOLOMETER_COMMAND PP071420 Subsch. ID : 90 Det. descr. : SEND COMMAND TO BOL CONTROLLER	PC103420 130000 <hex>	
	ET=+ UT=+00.00.01	DMC_SEND_COMMAND_BOLC DMC_SEND_COMMAND_BOLC Command Parameter(s) : BOLOMETER_COMMAND PP071420 Subsch. ID : 90 Det. descr. : SEND COMMAND TO BOL CONTROLLER	PC103420 110000 <hex>	
	ET=+ UT=+00.00.01	DMC_SEND_COMMAND_BOLC DMC_SEND_COMMAND_BOLC Command Parameter(s) : BOLOMETER_COMMAND PP071420 Subsch. ID : 90 Det. descr. : SEND COMMAND TO BOL CONTROLLER	PC103420 150000 <hex>	
	ET=+ UT=+00.00.01	DMC_SEND_COMMAND_BOLC DMC_SEND_COMMAND_BOLC Command Parameter(s) : BOLOMETER_COMMAND PP071420 Subsch. ID : 90 Det. descr. : SEND COMMAND TO BOL CONTROLLER	PC103420 160000 <hex>	
	ET=+ UT=+00.00.01	DMC_SEND_COMMAND_BOLC DMC_SEND_COMMAND_BOLC Command Parameter(s) : BOLOMETER_COMMAND PP071420 Subsch. ID : 90 Det. descr. : SEND COMMAND TO BOL CONTROLLER	PC103420 170000 <hex>	
4		Set BOLC temperature probes		Next Step: 5
	ET=+ UT=+00.00.01	DMC_SEND_COMMAND_BOLC DMC_SEND_COMMAND_BOLC Command Parameter(s) : BOLOMETER_COMMAND PP071420 Subsch. ID : 90 Det. descr. : SEND COMMAND TO BOL CONTROLLER	PC103420 7000000 <hex>	
5		Set BOLC groups		Next Step: 6

PACS_Switch_Off_Redundant
 File: H_FCP_PAC_RSOF.xls
 Author: R. Biggins



Step No.	Time	Activity/Remarks	TC/TLM	Display/ Branch
	ET=+ UT=+00.00.01	DMC_SEND_COMMAND_BOLC DMC_SEND_COMMAND_BOLC Command Parameter(s) : BOLOMETER_COMMAND PP071420 Subsch. ID : 90 Det. descr. : SEND COMMAND TO BOL CONTROLLER	PC103420 a000000 <hex>	
6		Switch OFF PACS		Next Step: END
6.1		Disable OBCPs		<input type="checkbox"/>
	ET=+ UT=+00.00.00	Execute Telecommand DisableActions Command Parameter(s) : N_Repetition DH041170 7 <dec> APID_for_EAT_TC DH236170 PACS_Redundant EventId DH146170 4 <hex> APID_for_EAT_TC DH236170 PACS_Redundant EventId DH146170 6 <hex> APID_for_EAT_TC DH236170 PACS_Redundant EventId DH146170 D <hex> APID_for_EAT_TC DH236170 PACS_Redundant EventId DH146170 19 <hex> APID_for_EAT_TC DH236170 CDMS (Def) EventId DH146170 99 <hex>	DCT85170	
		APID_for_EAT_TC DH236170 CDMS (Def) EventId DH146170 AC <hex> APID_for_EAT_TC DH236170 CDMS (Def) EventId DH146170 BA <hex> TC Control Flags : GBM IL DSE --Y -- --- Subsch. ID : 10 Det. descr. : TEMPLATE Disable Actions TC(19,5)		
	ET=+ UT=+00.00.05	Execute Telecommand ReptEvtActTable Subsch. ID : 10 Det. descr. : TEMPLATE Report The contents of the event/action table TC(19,6)	DCT86170	
		View the OEAD to ensure that the correct OBCPs have been disabled		
6.2		Switch off LCLs		<input type="checkbox"/>

PACS_Switch_Off_Redundant
 File: H_FCP_PAC_RSOF.xls
 Author: R. Biggins



Step No.	Time	Activity/Remarks	TC/TLM	Display/ Branch
		<p>Sending this TC will generate the following TM(5,1) packets: EVENT_REPORT_2_18 - HK DPU SOFT EVENT_REPORT_8_15 - COUNTER Error EVENT_REPORT_3_31 - 1355 Timeout</p> <p>The following TM(5,2) packets are also expected: EXCEPTION_REPORT_0_25 - PACS NOMINAL OFF</p>		
	ET=+ UT=+00.00.00	<p>Switch off SPU LCL</p> <p style="text-align: right;">SwOff_PacsS_R_L36</p> <p><i>TC Control Flags :</i></p> <p style="text-align: right;">GBM IL DSE --Y -- --</p> <p><i>Subsch. ID : 10</i> Det. descr. : PCDU: TC(8,4,112,3) PACS SPU Red - switch LCL_36 off</p>	DC36B170	
		<p>Verify Telemetry</p> <p style="text-align: center;">PacsS_R_L36_S WM62A565</p>	= OFF	AND=ZAZ97999
		<p>Sending this TC will generate the following TM(5,1) packets: EVENT_REPORT_2_18 - HK DPU SOFT EVENT_REPORT_8_15 - COUNTER Error EVENT_REPORT_3_7 - SS Stopped</p> <p>The following TM(5,2) packets are also expected: EXCEPTION_REPORT_0_25 - PACS NOMINAL OFF</p>		
	ET=+ UT=+00.00.00	<p>Switch off BOLC LCL</p> <p style="text-align: right;">SwOff_PacsB_R_L28</p> <p><i>TC Control Flags :</i></p> <p style="text-align: right;">GBM IL DSE --Y -- --</p> <p><i>Subsch. ID : 10</i> Det. descr. : PCDU: TC(8,4,112,3) PACS BOLC Red-switch LCL_28 off</p>	DC28B170	
		<p>Verify Telemetry</p> <p style="text-align: center;">PacsB_R_L28_1S WM32D565</p>	= OFF	AND=ZAZ97999
	ET=+ UT=+00.00.00	<p>Switch off DECMEC LCL</p> <p style="text-align: right;">SwOff_PacsDecMec2_L69</p> <p><i>TC Control Flags :</i></p> <p style="text-align: right;">GBM IL DSE --Y -- --</p> <p><i>Subsch. ID : 10</i> Det. descr. : PCDU: TC(8,4,112,3) PACS DEC/MEC2 - switch LCL_69 off</p>	DC69B170	
		<p>Verify Telemetry</p> <p style="text-align: center;">PacsMec2_L69_1S WM62E565</p>	= OFF	AND=ZAZ97999
6.3		Stop the instrument RT interrogation		□

PACS_Switch_Off_Redundant
 File: H_FCP_PAC_RSOF.xls
 Author: R. Biggins



Step No.	Time	Activity/Remarks	TC/TLM	Display/ Branch																																													
	ET=+ UT=+00.00.00	Execute Telecommand ConfigureSDBFDIR Command Parameter(s) : <table border="0"> <tr><td>RTA</td><td>DH011161</td><td>PACS B</td></tr> <tr><td>M0</td><td>DH030161</td><td>Update status</td></tr> <tr><td>M1</td><td>DH031161</td><td>Ignore Flag</td></tr> <tr><td>M2</td><td>DH032161</td><td>Ignore Flag</td></tr> <tr><td>M3</td><td>DH033161</td><td>Ignore Flag</td></tr> <tr><td>M4</td><td>DH034161</td><td>Update status</td></tr> <tr><td>M5</td><td>DH035161</td><td>Ignore Flag</td></tr> <tr><td>M6</td><td>DH036161</td><td>Ignore Flag</td></tr> <tr><td>M7</td><td>DH037161</td><td>Ignore Flag</td></tr> <tr><td>F0</td><td>DH018161</td><td>OFF</td></tr> <tr><td>F1</td><td>DH019161</td><td>Alive</td></tr> </table>	RTA	DH011161	PACS B	M0	DH030161	Update status	M1	DH031161	Ignore Flag	M2	DH032161	Ignore Flag	M3	DH033161	Ignore Flag	M4	DH034161	Update status	M5	DH035161	Ignore Flag	M6	DH036161	Ignore Flag	M7	DH037161	Ignore Flag	F0	DH018161	OFF	F1	DH019161	Alive	DC005161													
RTA	DH011161	PACS B																																															
M0	DH030161	Update status																																															
M1	DH031161	Ignore Flag																																															
M2	DH032161	Ignore Flag																																															
M3	DH033161	Ignore Flag																																															
M4	DH034161	Update status																																															
M5	DH035161	Ignore Flag																																															
M6	DH036161	Ignore Flag																																															
M7	DH037161	Ignore Flag																																															
F0	DH018161	OFF																																															
F1	DH019161	Alive																																															
		<table border="0"> <tr><td>F2</td><td>DH020161</td><td>Well TC</td></tr> <tr><td>F3</td><td>DH021161</td><td>Well TM</td></tr> <tr><td>F4</td><td>DH022161</td><td>Invalid</td></tr> <tr><td>F5</td><td>DH023161</td><td>Non-vital</td></tr> <tr><td>F6</td><td>DH024161</td><td>NOMINAL</td></tr> <tr><td>F7</td><td>DH025161</td><td>ON</td></tr> <tr><td>M12</td><td>DH051161</td><td>Ignore Flag</td></tr> <tr><td>M_C</td><td>DH043161</td><td>Ignore CNT</td></tr> <tr><td>M8</td><td>DH038161</td><td>Ignore Flag</td></tr> <tr><td>M9</td><td>DH039161</td><td>Ignore Flag</td></tr> <tr><td>M10</td><td>DH040161</td><td>Ignore Flag</td></tr> <tr><td>M11</td><td>DH041161</td><td>Ignore Flag</td></tr> <tr><td>F12</td><td>DH050161</td><td>ENABLED</td></tr> <tr><td>CNT</td><td>DH042161</td><td>LoopCnt1</td></tr> <tr><td>F8</td><td>DH026161</td><td>Bus A</td></tr> </table>	F2	DH020161	Well TC	F3	DH021161	Well TM	F4	DH022161	Invalid	F5	DH023161	Non-vital	F6	DH024161	NOMINAL	F7	DH025161	ON	M12	DH051161	Ignore Flag	M_C	DH043161	Ignore CNT	M8	DH038161	Ignore Flag	M9	DH039161	Ignore Flag	M10	DH040161	Ignore Flag	M11	DH041161	Ignore Flag	F12	DH050161	ENABLED	CNT	DH042161	LoopCnt1	F8	DH026161	Bus A		
F2	DH020161	Well TC																																															
F3	DH021161	Well TM																																															
F4	DH022161	Invalid																																															
F5	DH023161	Non-vital																																															
F6	DH024161	NOMINAL																																															
F7	DH025161	ON																																															
M12	DH051161	Ignore Flag																																															
M_C	DH043161	Ignore CNT																																															
M8	DH038161	Ignore Flag																																															
M9	DH039161	Ignore Flag																																															
M10	DH040161	Ignore Flag																																															
M11	DH041161	Ignore Flag																																															
F12	DH050161	ENABLED																																															
CNT	DH042161	LoopCnt1																																															
F8	DH026161	Bus A																																															
		<table border="0"> <tr><td>F9</td><td>DH027161</td><td>Healthy</td></tr> <tr><td>F10</td><td>DH028161</td><td>Healthy</td></tr> <tr><td>F11</td><td>DH029161</td><td>ENABLED</td></tr> </table> TC Control Flags : GBM IL DSE --Y -- -- Subsch. ID : 10 Det. descr. : Configure SDB FDIR	F9	DH027161	Healthy	F10	DH028161	Healthy	F11	DH029161	ENABLED																																						
F9	DH027161	Healthy																																															
F10	DH028161	Healthy																																															
F11	DH029161	ENABLED																																															
		Wait up to 1 minute for the generation of the D_H_Hk_P64 packet from the CDMU (APID = 18)																																															
		Verify Telemetry PACSB_OnOff DED31161	= OFF	AND=ZAZ97999																																													
		Verify Telemetry PACSB_ValidInv DED35161	= Invalid	AND=ZAZ97999																																													
6.4		Switch OFF DPU		☐																																													

PACS_Switch_Off_Redundant
 File: H_FCP_PAC_RSOF.xls
 Author: R. Biggins



Step No.	Time	Activity/Remarks	TC/TLM	Display/ Branch
	ET=+ UT=+00.00.00	Switch off DPU LCL SwOff_PacsD_R_L42 TC Control Flags : Subsch. ID : 10 Det. descr. : PCDU: TC(8,4,112,3) PACS DPU Red - switch LCL_42 off GBM IL DSE --Y -- ---	DC42B170	
		Verify Telemetry PacsD_R_L42_S WM42B565	= OFF	AND=ZAZ97999
6.5		Enable OBCPs		<input type="checkbox"/>
	ET=+ UT=+00.00.00	Execute Telecommand EnableActions Command Parameter(s) : N_Repetition DH041170 APID_for_EAT_TC DH236170 EventId DH146170 APID_for_EAT_TC DH236170 EventId DH146170 APID_for_EAT_TC DH236170 EventId DH146170 APID_for_EAT_TC DH236170 EventId DH146170 APID_for_EAT_TC DH236170 EventId DH146170	DCT84170	
		APID_for_EAT_TC DH236170 EventId DH146170 APID_for_EAT_TC DH236170 EventId DH146170 TC Control Flags : Subsch. ID : 10 Det. descr. : TEMPLATE Enable Actions TC(19,4) GBM IL DSE --Y -- ---	CDMS (Def) AC <hex> CDMS (Def) BA <hex>	
	ET=+ UT=+00.00.05	Execute Telecommand ReptEvtActTable Subsch. ID : 10 Det. descr. : TEMPLATE Report The contents of the event/action table TC(19,6)	DCT86170	
		View the OEAD to ensure that the correct OBCPs have been enabled		
6.6		Update UIU table		<input type="checkbox"/>

PACS_Switch_Off_Redundant
 File: H_FCP_PAC_RSOF.xls
 Author: R. Biggins



Step No.	Time	Activity/Remarks	TC/TLM	Display/ Branch
	ET=+ UT=+00.00.01	Execute Telecommand H_FdirMarkUnitOff_Templ Command Parameter(s) : H_ConfStsUnitId DHZ00170 Subsch. ID : 10 Det. descr. : TEMPLATE FDIR: Mark Unit OFF, TC(8,4,116,25), Herschel Version	DC91H159 PacsBolc	
	ET=+ UT=+00.00.01	Execute Telecommand H_FdirMarkUnitOff_Templ Command Parameter(s) : H_ConfStsUnitId DHZ00170 Subsch. ID : 10 Det. descr. : TEMPLATE FDIR: Mark Unit OFF, TC(8,4,116,25), Herschel Version	DC91H159 PacsDec	
	ET=+ UT=+00.00.01	Execute Telecommand H_FdirMarkUnitOff_Templ Command Parameter(s) : H_ConfStsUnitId DHZ00170 Subsch. ID : 10 Det. descr. : TEMPLATE FDIR: Mark Unit OFF, TC(8,4,116,25), Herschel Version	DC91H159 PacsDpu	
		Verify Telemetry PacsBolc1FuncSt DEL54171	= Off	AND=ZAZA0999
		Verify Telemetry PacsDec1FuncSts DEL44171	= Off	AND=ZAZA0999
		Verify Telemetry PacsDpuFuncSts DEL50171	= Off	AND=ZAZA0999
End of Procedure				