

Pacs_LoadDpuObsw_Rescue_Nominal
 File: H_FCP_PAC_NRDM.xls
 Author: R. Biggins



Procedure Summary

Objectives

The objective of this procedure is to load a new OBSW for the nominal DPU via rescue mode

- Switch to PACS bus profile
- Disable SDB FDIR for whole spacecraft
- Enable RT interrogations for PACS RTA
- Power on nominal DPU
- Enable SDB FDIR for whole spacecraft
- Disable TFL-TM/TC FDIR for PACS RTA
- Load new OBSW using H_FCP_OBS_4112
- Boot new ASW
- Enable TFL-TM/TC FDIR for PACS RTA
- Write new OBSW to EEPROM
- Disable RT interrogations for PACS RTA
- Power off nominal DPU

Based on procedure:
 Pacs_LoadDpuObsw_Rescue_Nominal_05_10_2007

Summary of Constraints

PACS has been switched off for at least 4 minutes.

This procedure is valid to load the DPU OBSW version 9.03

Spacecraft Configuration

Start of Procedure

- PACS is OFF
- All PACS units powered OFF
 - UIU table shows PACS units OFF

End of Procedure

- PACS is OFF
- All PACS units powered OFF
 - UIU table shows PACS units OFF

Reference File(s)

Input Command Sequences

Output Command Sequences

HFPNRDM

Referenced Displays

ANDs GRDs SLDs
 ZAZ9B999

Configuration Control Information

DATE	FOP ISSUE	VERSION	MODIFICATION DESCRIPTION	AUTHOR	SPR REF
------	-----------	---------	--------------------------	--------	---------

Status : Version 7 - Unchanged
 Last Checkin: 31/03/09

Pacs_LoadDpuObsw_Rescue_Nominal
 File: H_FCP_PAC_NRDM.xls
 Author: R. Biggins

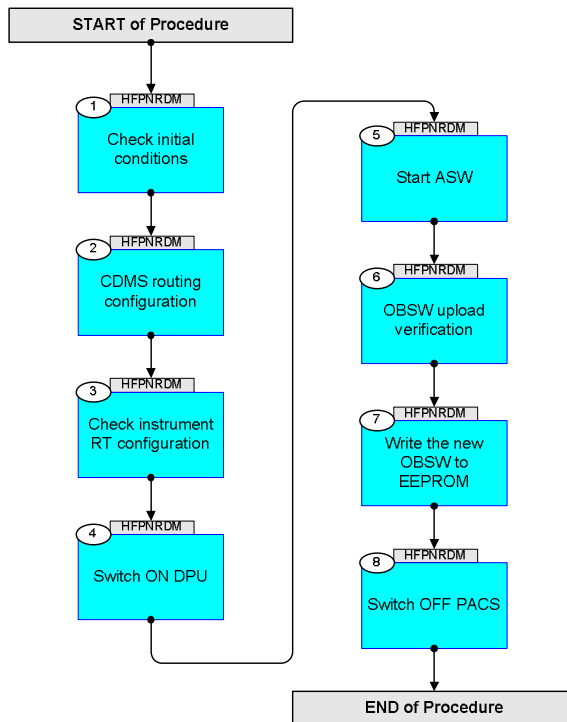


20/09/07		1	Created	R. Biggins	
22/11/07		1.01	Validation : - Time tags added to SVM commands - Editorial updates	R. Biggins	
03/12/07		2	TC and TM updated for DPU UM v2.8 Editorial updates	R. Biggins	
22/01/08		3	Update due to initial testing against the simulator: - TCs updated due to new DB - Bus profile selection TC added - Execution times removed	R. Biggins	
03/03/08		3.01	Validation : Update due to testing against MOC Simulator and comments by S. Pezzuto: - Editorial updates	R. Biggins	
05/03/08		3.02	Validation : Update due to comments by S. Pezzuto: - Telemetry values in step 6 updated	R. Biggins	
27/05/08	1	4	Updates due to SVT-1 testing: - TC to start RT interrogations updated (step 4.3) - TC to enable FDIR moved from step 8.3 to step 4.5 - Expected LCL currents updated - Comments added/updated - Flags updated - AND updated for all TM parameters	R. Biggins	
23/10/08	2	5	Updates due to new procedures from industry - Step 4.2 and 4.3 combined - TC DC005161 database definition updated	R. Biggins	
18/03/09	2.2	6	Final updates before flight - Summary updated - TC flags updated - Procedure description/title updated - Memory checks updated to reflect current software versions	R. Biggins	
31/03/09		7	Update to ensure that the TFL-TM/TC FDIR is disabled during the memory load.	R. Biggins	
17/04/09	2.3	7.01	Validation : Editorial updates due to comments from project/industry	R. Biggins	

Pacs_LoadDpuObsw_Rescue_Nominal
File: H_FCP_PAC_NRDM.xls
Author: R. Biggins



Procedure Flowchart Overview



Pacs_LoadDpuObsw_Rescue_Nominal
 File: H_FCP_PAC_NRDM.xls
 Author: R. Biggins



Step No.	Time	Activity/Remarks	TC/TLM	Display/ Branch
Beginning of Procedure				
TC Seq. Name : HFPNRDM (Load DPU - Res (Nom)) TimeTag Type: N Sub Schedule ID: <input type="checkbox"/>				
1		Check initial conditions		Next Step: 2
		Verify: Nominal PACS units have been switched off for at least 4 minutes		
1.1		PACS input		<input type="checkbox"/>
		Verify that the PACS ICC has indicated whether the software should be written to the primary or secondary partition of the EEPROM (step 7) WRITE_PN = 1 or 2		
		Verify that the correct information has been supplied by the ICC: Software Image (verify with OBSM engineer) Software Version/Subversion number (step 7)		
		The FP NR_WORDS should be set as follows (see step 7): DPU OBSW v9.03 = 10CC1		
1.2		Spacecraft mode		<input type="checkbox"/>
		Verify Telemetry CurrentMode DEL34170 = Nominal		AND=ZAZ9B999
		Verify Telemetry ACC_A_MODE AEE8G050 = Nominal		AND=ZAZ9B999
1.3		Bus status		<input type="checkbox"/>
		Verify Bus configuration		
		Verify: Active 1553 bus Active_Bus_A_B DEFJ1160 = BUS_A		AND=ZAZ9B999
		Verify: 1553 bus FDIR status SDB_FDIR DEFJ4160 = ENABLED		AND=ZAZ9B999
		Verify: SDB handling status BSW_SDB_ENAB DEF60160 = ENABLED		AND=ZAZ9B999

Pacs_LoadDpuObsw_Rescue_Nominal
 File: H_FCP_PAC_NRDM.xls
 Author: R. Biggins



Step No.	Time	Activity/Remarks	TC/TLM	Display/ Branch
		Verify bus health status		
		Verify: Bus (side A) health status BusA_HealthySts DEFJ2160	= Healthy	AND=ZAZ9B999
		Verify: Bus (side B) health status BusB_HealthySts DEFJ3160	= Healthy	AND=ZAZ9B999
1.4		Nominal instrument LCLs		<input type="checkbox"/>
		Verify: DPU LCL status PacsD_N_L41_S WM72B565	= OFF	AND=ZAZ9B999
		Verify: SPU LCL status PacsS_N_L35_S WM52A565	= OFF	AND=ZAZ9B999
		Verify: BOLC LCL status PacsB_N_L27_1S WM82D565	= OFF	AND=ZAZ9B999
		Verify: Dec/Mec1 LCL status PacsMec1_L65_1S WM52E565	= OFF	AND=ZAZ9B999
1.5		Redundant instrument LCLs		<input type="checkbox"/>
		Verify: DPU LCL status PacsD_R_L42_S WM42B565	= OFF	AND=ZAZ9B999
		Verify: SPU LCL status PacsS_R_L36_S WM62A565	= OFF	AND=ZAZ9B999
		Verify: BOLC LCL status PacsB_R_L28_1S WM32D565	= OFF	AND=ZAZ9B999
		Verify: Dec/Mec2 LCL status PacsMec2_L69_1S WM62E565	= OFF	AND=ZAZ9B999
2		CDMS routing configuration		Next Step: 3
	ET=+ UT=+00.00.00	Execute Telecommand RepDownlinkTMStorage TC Control Flags : Subsch. ID : 10 Det. descr. : Report Telemetry Packets Down-linking/ Storage Status	DC141160	
		GBM IL DSE --Y -- --		

Pacs_LoadDpuObsw_Rescue_Nominal
 File: H_FCP_PAC_NRDM.xls
 Author: R. Biggins



Step No.	Time	Activity/Remarks	TC/TLM	Display/ Branch
		It should be verified that telemetry packets for ALL PACS APIDs should be transmitted to ground (Transmit_Flag = ENABLED) EXCEPT for TM(21,x) which should be stored in the SSMM (Storage_Flag = ENABLED, Transmit_Flag = DISABLED). This should be verified on the VPD		
		Verify Packet Reception Telemetry Packets DownLinking-Storage Status Report <i>Packet Details:</i> APID: 16 Type: 14 Subtype: 7 PI1: PI2:	(14,7)-1400	
3		Check instrument RT configuration		Next Step: 4
3.1		Remote Terminal configuration		<input type="checkbox"/>
		Verify Telemetry PACS_VitalNonV DED5G161 = NonVital		AND=ZAZ9B999
		Verify Telemetry PACS_TmRetry DED5Z161 = ON		AND=ZAZ9B999
3.2		Remote Terminal Status		<input type="checkbox"/>
		Nominal units		
		Verify Telemetry PACSA_OnOff DED2G161 = OFF		AND=ZAZ9B999
		Verify Telemetry PACSA_DeadAliv DED2H161 = Alive		AND=ZAZ9B999
		Verify Telemetry PACSA_WellsiTC DED2Z161 = Well		AND=ZAZ9B999
		Verify Telemetry PACSA_WellsiTM DED2J161 = Well		AND=ZAZ9B999
		Verify Telemetry PACSA_ValidInv DED2K161 = Invalid		AND=ZAZ9B999
		Redundant units		
		Verify Telemetry PACSB_OnOff DED31161 = OFF		AND=ZAZ9B999
		Verify Telemetry PACSB_DeadAliv DED32161 = Alive		AND=ZAZ9B999
		Verify Telemetry PACSB_WellsiTC DED33161 = Well		AND=ZAZ9B999

Pacs_LoadDpuObsw_Rescue_Nominal
 File: H_FCP_PAC_NRDM.xls
 Author: R. Biggins



Step No.	Time	Activity/Remarks	TC/TLM	Display/ Branch
		Verify Telemetry PACSB_WellsiTM DED34161	= Well	AND=ZAZ9B999
		Verify Telemetry PACSB_ValidInv DED35161	= Invalid	AND=ZAZ9B999
4		Switch ON DPU		Next Step: 5
		WARNING: Before proceeding, the OBSM engineer should insert the memory load commands after the TC (DC05161) to disable the TFL-TM/TC FDIR. These should be uplinked automatically with the TC to FORCE BOOT (DPU_LLSW_LOAD_TC_BOOT, step 5) set to automatically execute after the last memory load TC.		
4.1		Set Bus Profile		<input type="checkbox"/>
	ET=+ UT=+00.00.00	Execute Telecommand SelectActiveSCBP Command Parameter(s) : SCBP DH049160 TC Control Flags : GBM IL DSE --Y -- -- Subsch. ID : 10 Det. descr. : Select Active SCBP from SCBP Table	DC819160 SCBP_04	
		Verify: Bus profile BSW_SDB_ActProf DEF5F160	= 4 <dec>	AND=ZAZ9B999
4.2		Disable SDB FDIR and enable RT interrogations		<input type="checkbox"/>
		NOTE: The following TC acts in the following order: - disables the SDB FDIR for the whole spacecraft - updates the RTA status		
	ET=+ UT=+00.00.00	Execute Telecommand ConfigureSDBFDIR Command Parameter(s) : RTA DH011161 M0 DH030161 M1 DH031161 M2 DH032161 M3 DH033161 M4 DH034161 M5 DH035161 M6 DH036161 M7 DH037161 F0 DH018161 F1 DH019161	DC005161 PACS A Update status Ignore Flag Ignore Flag Ignore Flag Update status Ignore Flag Update status Ignore Flag ON Alive	

Pacs_LoadDpuObsw_Rescue_Nominal
 File: H_FCP_PAC_NRDM.xls
 Author: R. Biggins



Step No.	Time	Activity/Remarks	TC/TLM	Display/ Branch
		F2 DH020161 F3 DH021161 F4 DH022161 F5 DH023161 F6 DH024161 F7 DH025161 M12 DH051161 M_C DH043161 M8 DH038161 M9 DH039161 M10 DH040161 M11 DH041161 F12 DH050161 CNT DH042161 F8 DH026161 F9 DH027161 F10 DH028161 F11 DH029161 TC Control Flags : Subsch. ID : 10 Det. descr. : Configure SDB FDIR GBM IL DSE --Y -- ---	Well TC Well TM Valid Non-vital NOMINAL ON Ignore Flag Ignore CNT Ignore Flag Ignore Flag Ignore Flag Update status ENABLED LoopCnt1 Bus A Healthy Healthy DISABLED	
		Wait up to 1 minute for the generation of the D_H_Hk_P64 packet from the CDMU (APID = 18)		
		Verify: 1553 bus FDIR status SDB_FDIR DEFJ4160	= DISABLED	AND=ZAZ9B999
		Verify Telemetry PACS_NomRed DED5H161	= NOMINAL	AND=ZAZ9B999
		Verify Telemetry PACSA_OnOff DED2G161	= ON	AND=ZAZ9B999
		Verify Telemetry PACSA_ValidInv DED2K161	= Valid	AND=ZAZ9B999
4.3		Switch on DPU LCL		<input type="checkbox"/>
		Switching ON the DPU LCL will initialise BSW. This will initially execute memory checks (failures will generate TM(5,4) packets) and then generate TM(5,1) [EVENT_REPORT_3_32776] packets every 10 seconds.		
	ET=+ UT=+00.00.00	Execute Telecommand SwOn_PacsD_N_L41 TC Control Flags : Subsch. ID : 10 Det. descr. : PCDU: TC(8,4,112,5) PACS DPU Nom - switch LCL_41 on GBM IL DSE --Y -- ---	DC41D170	
		Verify: DPU LCL status PacsD_N_L41_S WM72B565	= ON	AND=ZAZ9B999

Pacs_LoadDpuObsw_Rescue_Nominal
 File: H_FCP_PAC_NRDM.xls
 Author: R. Biggins



Step No.	Time	Activity/Remarks	TC/TLM	Display/ Branch																																													
		Verify: DPU LCL current (+/- 0.1A) Pacsd_N_L41_I WM707565	= 0.49 A	AND=ZAZ9B999																																													
4.4		Enable SDB FDIR and disable TFL-TM/TC FDIR		<input type="checkbox"/>																																													
		NOTE: The following TC acts in the following order: - enables the SDB FDIR for the whole spacecraft - disables the TFL-TM/TC FDIR for the PACS RTA																																															
	ET=+ UT=+00.00.02	Execute Telecommand ConfiguresSDBFDIR Command Parameter(s) : <table border="0" style="width: 100%;"> <tr><td style="text-align: right;">RTA</td><td>DH011161</td><td>PACS A</td></tr> <tr><td style="text-align: right;">M0</td><td>DH030161</td><td>Ignore Flag</td></tr> <tr><td style="text-align: right;">M1</td><td>DH031161</td><td>Ignore Flag</td></tr> <tr><td style="text-align: right;">M2</td><td>DH032161</td><td>Ignore Flag</td></tr> <tr><td style="text-align: right;">M3</td><td>DH033161</td><td>Ignore Flag</td></tr> <tr><td style="text-align: right;">M4</td><td>DH034161</td><td>Ignore Flag</td></tr> <tr><td style="text-align: right;">M5</td><td>DH035161</td><td>Ignore Flag</td></tr> <tr><td style="text-align: right;">M6</td><td>DH036161</td><td>Update status</td></tr> <tr><td style="text-align: right;">M7</td><td>DH037161</td><td>Ignore Flag</td></tr> <tr><td style="text-align: right;">F0</td><td>DH018161</td><td>ON</td></tr> <tr><td style="text-align: right;">F1</td><td>DH019161</td><td>Alive</td></tr> </table>	RTA	DH011161	PACS A	M0	DH030161	Ignore Flag	M1	DH031161	Ignore Flag	M2	DH032161	Ignore Flag	M3	DH033161	Ignore Flag	M4	DH034161	Ignore Flag	M5	DH035161	Ignore Flag	M6	DH036161	Update status	M7	DH037161	Ignore Flag	F0	DH018161	ON	F1	DH019161	Alive	DC005161													
RTA	DH011161	PACS A																																															
M0	DH030161	Ignore Flag																																															
M1	DH031161	Ignore Flag																																															
M2	DH032161	Ignore Flag																																															
M3	DH033161	Ignore Flag																																															
M4	DH034161	Ignore Flag																																															
M5	DH035161	Ignore Flag																																															
M6	DH036161	Update status																																															
M7	DH037161	Ignore Flag																																															
F0	DH018161	ON																																															
F1	DH019161	Alive																																															
		<table border="0" style="width: 100%;"> <tr><td style="text-align: right;">F2</td><td>DH020161</td><td>Well TC</td></tr> <tr><td style="text-align: right;">F3</td><td>DH021161</td><td>Well TM</td></tr> <tr><td style="text-align: right;">F4</td><td>DH022161</td><td>Valid</td></tr> <tr><td style="text-align: right;">F5</td><td>DH023161</td><td>Non-vital</td></tr> <tr><td style="text-align: right;">F6</td><td>DH024161</td><td>NOMINAL</td></tr> <tr><td style="text-align: right;">F7</td><td>DH025161</td><td>ON</td></tr> <tr><td style="text-align: right;">M12</td><td>DH051161</td><td>Update status</td></tr> <tr><td style="text-align: right;">M_C</td><td>DH043161</td><td>Ignore CNT</td></tr> <tr><td style="text-align: right;">M8</td><td>DH038161</td><td>Ignore Flag</td></tr> <tr><td style="text-align: right;">M9</td><td>DH039161</td><td>Ignore Flag</td></tr> <tr><td style="text-align: right;">M10</td><td>DH040161</td><td>Ignore Flag</td></tr> <tr><td style="text-align: right;">M11</td><td>DH041161</td><td>Update status</td></tr> <tr><td style="text-align: right;">F12</td><td>DH050161</td><td>DISABLED</td></tr> <tr><td style="text-align: right;">CNT</td><td>DH042161</td><td>LoopCnt1</td></tr> <tr><td style="text-align: right;">F8</td><td>DH026161</td><td>Bus A</td></tr> </table>	F2	DH020161	Well TC	F3	DH021161	Well TM	F4	DH022161	Valid	F5	DH023161	Non-vital	F6	DH024161	NOMINAL	F7	DH025161	ON	M12	DH051161	Update status	M_C	DH043161	Ignore CNT	M8	DH038161	Ignore Flag	M9	DH039161	Ignore Flag	M10	DH040161	Ignore Flag	M11	DH041161	Update status	F12	DH050161	DISABLED	CNT	DH042161	LoopCnt1	F8	DH026161	Bus A		
F2	DH020161	Well TC																																															
F3	DH021161	Well TM																																															
F4	DH022161	Valid																																															
F5	DH023161	Non-vital																																															
F6	DH024161	NOMINAL																																															
F7	DH025161	ON																																															
M12	DH051161	Update status																																															
M_C	DH043161	Ignore CNT																																															
M8	DH038161	Ignore Flag																																															
M9	DH039161	Ignore Flag																																															
M10	DH040161	Ignore Flag																																															
M11	DH041161	Update status																																															
F12	DH050161	DISABLED																																															
CNT	DH042161	LoopCnt1																																															
F8	DH026161	Bus A																																															
		<table border="0" style="width: 100%;"> <tr><td style="text-align: right;">F9</td><td>DH027161</td><td>Healthy</td></tr> <tr><td style="text-align: right;">F10</td><td>DH028161</td><td>Healthy</td></tr> <tr><td style="text-align: right;">F11</td><td>DH029161</td><td>ENABLED</td></tr> </table> Subsch. ID : 10 Det. descr. : Configure SDB FDIR	F9	DH027161	Healthy	F10	DH028161	Healthy	F11	DH029161	ENABLED																																						
F9	DH027161	Healthy																																															
F10	DH028161	Healthy																																															
F11	DH029161	ENABLED																																															
		Wait up to 1 minute for the generation of the D_H_Hk_P64 packet from the CDMU (APID = 18)																																															
		Verify: 1553 bus FDIR status SDB_FDIR DEFJ4160	= ENABLED	AND=ZAZ9B999																																													
4.5		Load OBSW		<input type="checkbox"/>																																													
		OBSM engineer to execute the commands generated in the procedure H_FCP_OBS_4112.																																															

Pacs_LoadDpuObsw_Rescue_Nominal
 File: H_FCP_PAC_NRDM.xls
 Author: R. Biggins



Step No.	Time	Activity/Remarks	TC/TLM	Display/ Branch
		The OBSM procedure will generate a saved stack file and uplink the load commands to PACS. It will also verify that the load is successful by checksum verification of the on-board image.		
5		Start ASW		Next Step: 6
	ET=+ UT=+00.00.15	DPU_LLSW_LOAD_TC_BOOT Subsch. ID : 90 Det. descr. : LOAD THE OBS FROM DATA MEMORY TO PROGRAM MEMORY AND BOOT	DPU_LLSW_LOAD_TC_BOOT PC031380	
		Verify: The following TM(3,25) packets should be generated: PACS_essential_HK (APID 1152) PACS_NO_PRIME_HK (APID 1154)		
		The following version check should ensure that the expected software version is running.		
		Verify Telemetry DP_SW_VERS_ID PM050380	Version	AND=ZAZ9B999
		Verify Telemetry DP_SW_SUBVERS_ID PM051380	Subversion	AND=ZAZ9B999
5.1		Enable TFL-TM/TC FDIR		<input type="checkbox"/>
	ET=+ UT=+00.00.00	Execute Telecommand Command Parameter(s) : RTA DH011161 M0 DH030161 M1 DH031161 M2 DH032161 M3 DH033161 M4 DH034161 M5 DH035161 M6 DH036161 M7 DH037161 F0 DH018161 F1 DH019161	ConfigureSDBFDIR DC005161 PACS A Ignore Flag Ignore Flag Ignore Flag Ignore Flag Ignore Flag Ignore Flag Ignore Flag Ignore Flag OFF Alive	

Pacs_LoadDpuObsw_Rescue_Nominal
 File: H_FCP_PAC_NRDM.xls
 Author: R. Biggins



Step No.	Time	Activity/Remarks	TC/TLM	Display/ Branch
		F2 DH020161 F3 DH021161 F4 DH022161 F5 DH023161 F6 DH024161 F7 DH025161 M12 DH051161 M_C DH043161 M8 DH038161 M9 DH039161 M10 DH040161 M11 DH041161 F12 DH050161 CNT DH042161 F8 DH026161	Well TC Well TM Invalid Vital NOMINAL OFF Update status Ignore CNT Ignore Flag Ignore Flag Ignore Flag Ignore Flag ENABLED LoopCnt1 Bus A	
		F9 DH027161 F10 DH028161 F11 DH029161 TC Control Flags : Subsch. ID : 10 Det. descr. : Configure SDB FDIR GBM IL DSE --Y -- ---	Healthy Healthy ENABLED	
6		OBSW upload verification		Next Step: 7
		The following checks will verify the contents of the DPU Program Memory (RAM)		
		For PACS DPU OBSW v9.03: CHECKSUM1 = 2411 CHECKSUM2 = 23A2		
	ET=+ UT=+00.00.03	DPU_MEMORY_CHECK Command Parameter(s) : DPU_MEMORY_BLOCK_ID PP009380 DPU_MEMORY_ADDR PP003380 DPU_DATA_LENGTH PP008380 TC Control Flags : Subsch. ID : 90 Det. descr. : REQUEST FOR A CHECKSUM OF A SPECIFIED MEMORY AREA GBM IL DSE --Y -- ---	PC029380 100 <hex> 4000 <hex> 5457 <dec>	
		Verify: DPU memory checksum CHECKSUM PM132380	CHECKSUM1	AND=ZAZ9B999

Pacs_LoadDpuObsw_Rescue_Nominal
 File: H_FCP_PAC_NRDM.xls
 Author: R. Biggins



Step No.	Time	Activity/Remarks	TC/TLM	Display/ Branch
	ET=+ UT=+00.00.01	DPU_MEMORY_CHECK DPU_MEMORY_CHECK Command Parameter(s) : DPU_MEMORY_BLOCK_ID PP009380 DPU_MEMORY_ADDR PP003380 DPU_DATA_LENGTH PP008380 TC Control Flags : GBM IL DSE --Y -- --- Subsch. ID : 90 Det. descr. : REQUEST FOR A CHECKSUM OF A SPECIFIED MEMORY AREA	PC029380 100 <hex> 5551 <hex> 65535 <dec>	
		Verify: DPU memory checksum CHECKSUM PM132380	CHECKSUM2	AND=ZAZ9B999
7		Write the new OBSW to EEPROM		Next Step: 8
		WARNING: The relevant authority (TBD) should be informed that the DPU EEPROM is being written to in order to monitor the total number of write cycles as the EEPROM has only a limited number of cycles.		
		The NR_WORDS FP should be set as follows: DPU OBSW v9.03 = 10CC1		
	ET=+ UT=+00.00.00	Execute Telecommand DPU_START_OBCP Command Parameter(s) : PROCEDURE_ID PP012380 NUMBER_OF_TIMES PP010380 PAR_ID PP011380 PAR_VALUE PP017380 PAR_ID PP011380 PAR_VALUE PP017380 PAR_ID PP011380 PAR_VALUE PP017380 PAR_ID PP011380 PAR_VALUE PP017380 PAR_ID PP011380 PAR_VALUE PP017380 PAR_VALUE PP017380 TC Control Flags : GBM IL DSE --Y -- --- Subsch. ID : 90 Det. descr. : START AN OBCP WITH THE COMMANDED PARAMETERS	PC012380 WRITE_IN_EEPROM 5 <dec> 1 <dec> 4000 <hex> 2 <dec> NR_WORDS 3 <dec> WRITE_PN 4 <dec> 426116354 <dec> 5 <dec> 0 <dec>	
8		Switch OFF PACS		Next Step: END

Pacs_LoadDpuObsw_Rescue_Nominal
 File: H_FCP_PAC_NRDM.xls
 Author: R. Biggins



Step No.	Time	Activity/Remarks	TC/TLM	Display/ Branch
8.1		Stop the instrument RT interrogation		<input type="checkbox"/>
	ET=+ UT=+00.00.00	Execute Telecommand ConfigureSDBFDIR Command Parameter(s) : RTA DH011161 PACS A M0 DH030161 Update status M1 DH031161 Ignore Flag M2 DH032161 Ignore Flag M3 DH033161 Ignore Flag M4 DH034161 Update status M5 DH035161 Ignore Flag M6 DH036161 Ignore Flag M7 DH037161 Ignore Flag F0 DH018161 OFF F1 DH019161 Alive F2 DH020161 Well TC F3 DH021161 Well TM F4 DH022161 Invalid F5 DH023161 Non-vital F6 DH024161 NOMINAL F7 DH025161 ON M12 DH051161 Ignore Flag M_C DH043161 Ignore CNT M8 DH038161 Ignore Flag M9 DH039161 Ignore Flag M10 DH040161 Ignore Flag M11 DH041161 Ignore Flag F12 DH050161 ENABLED CNT DH042161 LoopCnt1 F8 DH026161 Bus A F9 DH027161 Healthy F10 DH028161 Healthy F11 DH029161 ENABLED TC Control Flags : GBM IL DSE --Y -- --- Subsch. ID : 10 Det. descr. : Configure SDB FDIR	DC005161	
		Wait up to 1 minute for the generation of the D_H_Hk_P64 packet from the CDMU (APID = 18)		
		Verify Telemetry PACSA_OnOff DED2G161	= OFF	AND=ZAZ9B999
		Verify Telemetry PACSA_ValidInv DED2K161	= Invalid	AND=ZAZ9B999
8.2		Switch off DPU LCL		<input type="checkbox"/>

Pacs_LoadDpuObsw_Rescue_Nominal
 File: H_FCP_PAC_NRDM.xls
 Author: R. Biggins



Step No.	Time	Activity/Remarks	TC/TLM	Display/ Branch
	ET=+ UT=+00.00.00	Switch off DPU LCL SwOff_PacsD_N_L41 <i>TC Control Flags :</i> GBM IL DSE --Y -- -- Subsch. ID : 10 Det. descr. : PCDU: TC(8,4,112,3) PACS DPU Nom - switch LCL_41 off	DC41B170	
		Verify: DPU LCL status PacsD_N_L41_S WM72B565	= OFF	AND=ZAZ9B999
End of Procedure				