

PACS_Burstmode_Setup
 File: H_FCP_PAC_CSBN.xls
 Author: R. Biggins



Procedure Summary

Objectives

The objective of this procedure is to enable BURST mode
 - Update bus profile
 - Enable generation of burst mode telemetry

Based on procedure:
 PACS_Burstmode_Setup_OBS_09_10_2007_01

Summary of Constraints

This procedure should be executed on PACS request only
 Herschel is transmitting with HIGH data rate (1.5Mbps)

Spacecraft Configuration

Start of Procedure

PACS is in SAFE, PHOTOMETRY or SPECTROSCOPY mode
 SDB Bus profile set to PACS (4)

End of Procedure

PACS is in SAFE, PHOTOMETRY or SPECTROSCOPY mode
 SDB Bus profile set to PACS_BURST (7)

Reference File(s)

Input Command Sequences

Output Command Sequences

HFPCSBN

Referenced Displays

ANDs **GRDs** **SLDs**
 ZAZ98999
 ZAZ7J999

Configuration Control Information

DATE	FOP ISSUE	VERSION	MODIFICATION DESCRIPTION	AUTHOR	SPR REF
20/09/07		1	Created	R. Biggins	
03/12/07		2	TCs added to set OBSID and BBID	R. Biggins	
03/03/08		3	Update due to testing against MOC Simulator and comments by S. Pezzuto: - PACS mode verification added to step 3 - Editorial updates	R. Biggins	
20/05/08	1	4	Updates due to SVT-1 testing: - TC DC002161 added to step 3 - TM added to check OBSID/ BBID values - Procedure OBSID value updated to be Formal Parameter - Default OBSID/BBID values updated - Flags updated - AND updated for all TM parameters	R. Biggins	

PACS_Burstmode_Setup
 File: H_FCP_PAC_CSBN.xls
 Author: R. Biggins

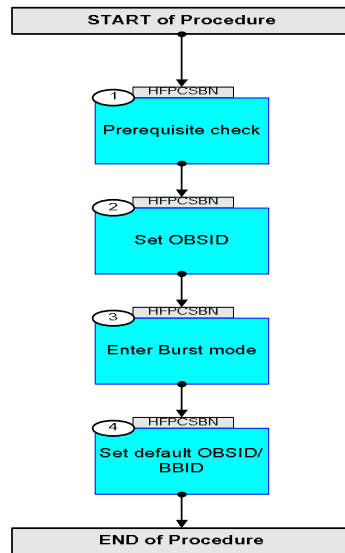


			Final updates before flight <input type="checkbox"/>		
12/03/09	2.2	5	- Summary updated <input type="checkbox"/> - TC flags updated <input type="checkbox"/> - Procedure description/title updated	R. Biggins	
15/04/09	2.3	5.01	Validation : - Addition of TM DEMRF160 (step 1)	R. Biggins	
26/05/09	2.5	6	Default OBSID and BBID values switched (updated to OBSID: 0x0000 0000, BBID: 0x4000 0000)	R. Biggins	

PACS_Burstmode_Setup
File: H_FCP_PAC_CSBN.xls
Author: R. Biggins



Procedure Flowchart Overview



PACS_Burstmode_Setup
 File: H_FCP_PAC_CSBN.xls
 Author: R. Biggins



Step No.	Time	Activity/Remarks	TC/TLM	Display/ Branch
Beginning of Procedure				
TC Seq. Name : HFPCSBN (Enable Burst) TimeTag Type: N Sub Schedule ID: <input type="checkbox"/>				
1		Prerequisite check		Next Step: 2
		Verify: Bus profile is set to PACS (4) BSW_SDB_ActProf DEF5F160	= 4 <dec>	AND=ZAZ98999
		Verify: PACS Mode DP_TM_RATE PM049380	= NO PRIME = PHOT = SPEC	AND=ZAZ98999
		Verify: HIGH TM bitrate TME_BITRATE DEMRF160	= 1.5 Mbps	AND=ZAZ7J999
2		Set OBSID		Next Step: 3
		Execute Telecommand DMC_SET_OBSID	PC078420	
		Command Parameter(s) : OBSERVATION_ID PP069420	OBS_ID	
		TC Control Flags : GBM IL DSE --Y -- ---		
		Subsch. ID : 90 Det. descr. : SET OBSID IN DMC		
		Verify Telemetry DM_OBSID PM028420	OBS_ID	AND=ZAZ98999
3		Enter Burst mode		Next Step: 4
		Execute Telecommand ConfRTBurst	DC002161	
		Command Parameter(s) : EOD DH009161 RT DH010161	ENABLED PACS	
		TC Control Flags : GBM IL DSE --Y -- ---		
		Subsch. ID : 10 Det. descr. : Configure RT Burst Mode		

PACS_Burstmode_Setup
 File: H_FCP_PAC_CSNB.xls
 Author: R. Biggins



Step No.	Time	Activity/Remarks	TC/TLM	Display/ Branch
		Execute Telecommand SelectActiveSCBP Command Parameter(s) : SCBP DH049160 TC Control Flags : GBM IL DSE --Y -- --- Subsch. ID : 10 Det. descr. : Select Active SCBP from SCBP Table	DC819160 SCBP_07	
		Verify: Bus profile is set to BURST (7) BSW_SDB_ActProf DEF5F160	= 7 <dec>	AND=ZAZ98999
		Execute Telecommand DPU_SET_BUS_LIST Command Parameter(s) : ENABLE_DISABLE PP006380 TC Control Flags : GBM IL DSE --Y -- --- Subsch. ID : 90 Det. descr. : SWITCH THE DPU FROM NOMINAL TO BURST MODE AND VICEVERSA	PC009380 ENABLE	
		Verify Telemetry DP_BURST_MODE PM065380	= BURST MODE ACT	AND=ZAZ98999
		Verify: PACS Mode has not changed DP_TM_RATE PM049380	= NO PRIME = PHOT = SPEC	AND=ZAZ98999
4		Set default OBSID/BBID		Next Step: END
		Execute Telecommand DMC_SET_OBSID Command Parameter(s) : OBSERVATION_ID PP069420 TC Control Flags : GBM IL DSE --Y -- --- Subsch. ID : 90 Det. descr. : SET OBSID IN DMC	PC078420 00000000 <hex>	
		Execute Telecommand DMC_SET_BBID Command Parameter(s) : BUILDING_BLOCK_ID PP070420 Subsch. ID : 90 Det. descr. : SET BBID IN DMC	PC079420 40000000 <hex>	

PACS_Burstmode_Setup
 File: H_FCP_PAC_CSNB.xls
 Author: R. Biggins



Step No.	Time	Activity/Remarks	TC/TLM	Display/ Branch
		Verify Telemetry DM_OBSID PM028420	= 00000000 <hex>	AND=ZAZ98999
		Verify Telemetry DM_BBID PM029420	= 40000000 <hex>	AND=ZAZ98999
End of Procedure				