

Pacs_Dpu_MemCheck
 File: H_FCP_PAC_CCDM.xls
 Author: R. Biggins



Procedure Summary

Objectives

The objective of this procedure is to verify that the checksum of the DPU memory is as expected

Based on procedure:
 Pacs_Dpu_MemCheck_31_07_2007

Summary of Constraints

This procedure is valid for the DPU OBSW version 9.03

Spacecraft Configuration

Start of Procedure

PACS DPU is powered on
 - PACS can be in any mode where the DPU is on and running the ASW

End of Procedure

No change in mode

Reference File(s)

Input Command Sequences

Output Command Sequences

HFPCCDM

Referenced Displays

ANDs **GRDs** **SLDs**
 ZAZ97999

Configuration Control Information

DATE	FOP ISSUE	VERSION	MODIFICATION DESCRIPTION	AUTHOR	SPR REF
20/09/07		1	Created	R. Biggins	
03/12/07		1.01	Validation : Comments added for DPU UM version	R. Biggins	
03/12/07		2	Checksums updated for DPU UM v2.8	R. Biggins	
18/01/08		3	Update due to initial testing against the simulator: - TCs updated due to new DB - Execution times removed	R. Biggins	
03/03/08		4	Update due to testing against MOC Simulator and comments by S. Pezzuto: - Telecommand flags updated - 'Check Initial Conditions' step added - 'Verify OBSW version' step added - Editorial updates	R. Biggins	
27/05/08	1	5	Updates due to SVT-1 testing: - Flags updated - AND updated for all TM parameters	R. Biggins	

Pacs_Dpu_MemCheck
 File: H_FCP_PAC_CCDM.xls
 Author: R. Biggins

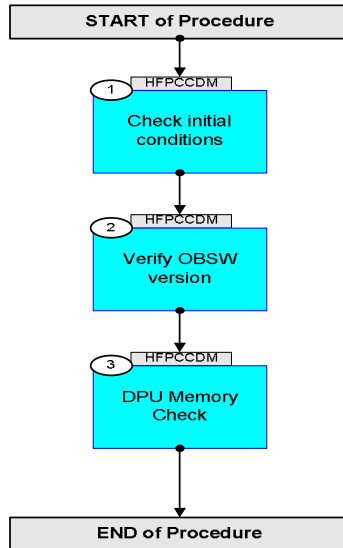


			Final updates before flight <input type="checkbox"/>		
17/03/09	2.2	6	- Summary updated <input type="checkbox"/> - TC flags updated <input type="checkbox"/> - Procedure description/title updated <input type="checkbox"/> - Memory checks updated to reflect current software versions	R. Biggins	
20/04/09	2.3	7	Updates due to new DPU software version: <input type="checkbox"/> <input type="checkbox"/> - DPU updated to version 9.03	R. Biggins	

Pacs_Dpu_MemCheck
File: H_FCP_PAC_CCDM.xls
Author: R. Biggins



Procedure Flowchart Overview



Pacs_Dpu_MemCheck
 File: H_FCP_PAC_CCDM.xls
 Author: R. Biggins



Step No.	Time	Activity/Remarks	TC/TLM	Display/ Branch
Beginning of Procedure				
<p><i>TC Seq. Name : HFPCCDM (DPU Memory Check)</i></p> <p><i>TimeTag Type: N</i> <i>Sub Schedule ID:</i></p> <p style="text-align: center;">□</p>				
1		Check initial conditions		Next Step: 2
		Verify: the following TM(3,25) packets are being generated: PACS_ESSENTAIL_HK (APID 1152 or 1153) PACS_NO_PRIME_HK (APID 1154 or 1155)		
1.1		Verify HSC/ICC input		□
		Verify that the correct information has been supplied by the ICC: DPU software version		
2		Verify OBSW version		Next Step: 3
		Verify Telemetry DP_SW_VERS_ID PM050380 Version		AND=ZAZ97999
		Verify Telemetry DP_SW_SUBVERS_ID PM051380 Subversion		AND=ZAZ97999
3		DPU Memory Check		Next Step: END
		The following checks will verify the contents of the DPU Program Memory (RAM)		
		For PACS DPU OBSW v9.03 : CHECKSUM1 = 2411 CHECKSUM2 = 23A2		

Pacs_Dpu_MemCheck
 File: H_FCP_PAC_CCDM.xls
 Author: R. Biggins



Step No.	Time	Activity/Remarks	TC/TLM	Display/ Branch
	ET=+ UT=+00.00.00	DPU_MEMORY_CHECK DPU_MEMORY_CHECK Command Parameter(s) : DPU_MEMORY_BLOCK_ID PP009380 DPU_MEMORY_ADDR PP003380 DPU_DATA_LENGTH PP008380 TC Control Flags : GBM IL DSE --Y -- --- Subsch. ID : 90 Det. descr. : REQUEST FOR A CHECKSUM OF A SPECIFIED MEMORY AREA	PC029380	
		Verify: DPU memory checksum CHECKSUM PM132380	CHECKSUM1	AND=ZAZ97999
	ET=+ UT=+00.00.01	DPU_MEMORY_CHECK DPU_MEMORY_CHECK Command Parameter(s) : DPU_MEMORY_BLOCK_ID PP009380 DPU_MEMORY_ADDR PP003380 DPU_DATA_LENGTH PP008380 TC Control Flags : GBM IL DSE --Y -- --- Subsch. ID : 90 Det. descr. : REQUEST FOR A CHECKSUM OF A SPECIFIED MEMORY AREA	PC029380	
		Verify: DPU memory checksum CHECKSUM PM132380	CHECKSUM2	AND=ZAZ97999
End of Procedure				