

Dump of CDMU and ACC registers (for AIT)
File: H_FCP_OBS_LPRA.xls
Author: lstefanov-hp



Procedure Summary

Objectives

This Herschel OBSM nominal procedure is used to perform CDMU and ACC ground images update from register dumps. The procedure is to be used for updating the OBSM ground images on the Launch Pad, complementing the FOP procedure H_FCP_DHS_STRT. The procedures assumes that the ground image updates are conducted in Retrieval.

The procedure covers register dumps for CDMU and ACC memory devices not addressed in procedure H_FCP_DHS_STRT:

- CDMU CROME A&B Registers
- ACC CPU System Registers
- ACC PM COCOS Registers
- ACC CROME A&B Registers

The memory dump is commanded using TC(6,5) and the memory locations content is received on ground in TM(6,6) packets.

The memory dumps are commanded using the TC sequence generated from this procedure, and not OBSM generated command stacks.

This is a version for AIT of procedure H_FCP_OBS_LPRG.

Summary of Constraints

- CDMU in Operational Mode
- ACC in Operational Mode

Spacecraft Configuration

Start of Procedure

- CDMU in Operational Mode
- ACC in Operational Mode

End of Procedure

- Same as start except:
- CDMU and ACC register dump sequence executed

Reference File(s)

Input Command Sequences

Output Command Sequences

OFCPLPRA

Referenced Displays

ANDs GRDs SLDs

Configuration Control Information

Dump of CDMU and ACC registers (for AIT)
File: H_FCP_OBS_LPRA.xls
Author: lstefanov-hp

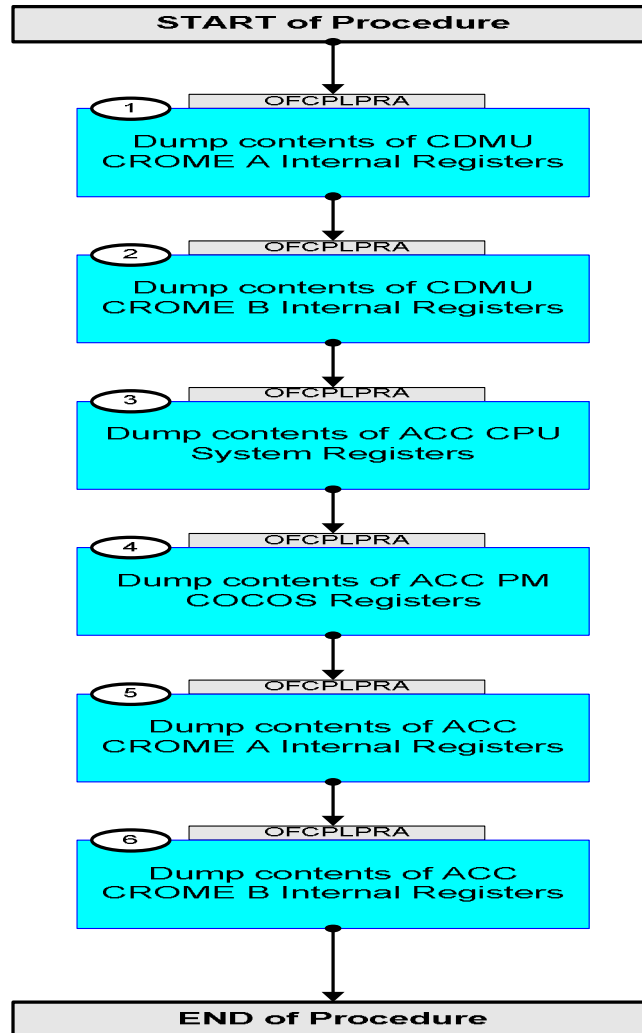


DATE	FOP ISSUE	VERSION	MODIFICATION DESCRIPTION	AUTHOR	SPR REF
31/03/09	2.3	1	Created	lstefanov-hp	

Dump of CDMU and ACC registers (for AIT)
File: H_FCP_OBS_LPRA.xls
Author: lstefanov-hp



Procedure Flowchart Overview



Dump of CDMU and ACC registers (for AIT) File: H_FCP_OBS_LPRA.xls Author: lstefanov-hp	
--	--

Step No.	Time	Activity/Remarks	TC/TLM	Display/ Branch	AIT Comment
Beginning of Procedure					
OFCLPRA		TC Seq. Name : OFCLPRA (CDMU&ACC Regs dump) CDMU CROME A&B and ACC Registers dump TimeTag Type: N Sub Schedule ID: □			
1		Dump contents of CDMU CROME A Internal Registers		Next Step: 2	
		Uplink the memory dump commands with ARM-GO			
		IMPORTANT: All commands in the sequence have delta release times and will be dispatched by the ARM-GO			
		Note: Ground image updates or dump data monitoring against already existing OBSM ground images will be done in Retrieval mode. This can be done in paralel with memory dump commands uplink.			
		64 TCs for CDMU CROME A Internal Registers dump			
1.1		Clock and Reset Block Module			
		CAR Power On Reset Register [CAR_PwrOnRst]:			
		Execute Telecommand <div style="text-align: right; margin-left: 200px;">DumpMem_AbsAddr DC602180</div> Command Parameter(s) : <div style="margin-left: 40px;"> Memory_ID DH003180 00C0 <hex> Start_Address DH004180 0890 <hex> N DH105180 4 <hex> </div> TC Control Flags : <div style="margin-left: 100px;"> GBM IL DSE --Y -- --- </div> Subsch. ID : 10 Det. descr. : Dump Memory Using Absolute Addresses		TC	
1.2		Memory Interface and Internal Bus Master Module			
		PIM Write Disable Status Register [PIM_WrDis]:			
	ET+= UT+=00.00.04	Execute Telecommand <div style="text-align: right; margin-left: 200px;">DumpMem_AbsAddr DC602180</div> Command Parameter(s) : <div style="margin-left: 40px;"> Memory_ID DH003180 00C0 <hex> Start_Address DH004180 004C <hex> N DH105180 4 <hex> </div> TC Control Flags : <div style="margin-left: 100px;"> GBM IL DSE --Y -- --- </div> Subsch. ID : 10 Det. descr. : Dump Memory Using Absolute Addresses		TC	
		PIM Scrubber Configuration Register [PIM_ScuCNFR]:			

Dump of CDMU and ACC registers (for AIT)
 File: H_FCP_OBS_LPRA.xls
 Author: lstefanov-hp



Step No.	Time	Activity/Remarks	TC/TLM	Display/ Branch	AIT Comment
	ET=+ UT=+00.00.04	Execute Telecommand DumpMem_AbsAddr Command Parameter(s) : Memory_ID DH003180 Start_Address DH004180 N DH105180 TC Control Flags : GBM IL DSE --Y -- --- Subsch. ID : 10 Det. descr. : Dump Memory Using Absolute Addresses	DC602180	TC	
		PIM Scrubber Start Address [PIM_ScuSAR]:			
	ET=+ UT=+00.00.04	Execute Telecommand DumpMem_AbsAddr Command Parameter(s) : Memory_ID DH003180 Start_Address DH004180 N DH105180 TC Control Flags : GBM IL DSE --Y -- --- Subsch. ID : 10 Det. descr. : Dump Memory Using Absolute Addresses	DC602180	TC	
		PIM Scrubber End Address [PIM_ScuEAR]:			
	ET=+ UT=+00.00.04	Execute Telecommand DumpMem_AbsAddr Command Parameter(s) : Memory_ID DH003180 Start_Address DH004180 N DH105180 TC Control Flags : GBM IL DSE --Y -- --- Subsch. ID : 10 Det. descr. : Dump Memory Using Absolute Addresses	DC602180	TC	
		PIM Status Register [PIM_SR]:			
	ET=+ UT=+00.00.04	Execute Telecommand DumpMem_AbsAddr Command Parameter(s) : Memory_ID DH003180 Start_Address DH004180 N DH105180 TC Control Flags : GBM IL DSE --Y -- --- Subsch. ID : 10 Det. descr. : Dump Memory Using Absolute Addresses	DC602180	TC	
1.3		Packet Telecommand Decoder Module			
		PDEC Frame Analysis Report Copy [PDEC_FARCP]:			

Dump of CDMU and ACC registers (for AIT)
 File: H_FCP_OBS_LPRA.xls
 Author: lstefanov-hp



Step No.	Time	Activity/Remarks	TC/TLM	Display/ Branch	AIT Comment
	ET+= UT+=00.00.04	Execute Telecommand DumpMem_AbsAddr Command Parameter(s) : Memory_ID DH003180 Start_Address DH004180 N DH105180 TC Control Flags : GBM IL DSE --Y -- --- Subsch. ID : 10 Det. descr. : Dump Memory Using Absolute Addresses	DC602180	TC	
		PDEC Command Link Control Word [PDEC_CLCW]:			
	ET+= UT+=00.00.04	Execute Telecommand DumpMem_AbsAddr Command Parameter(s) : Memory_ID DH003180 Start_Address DH004180 N DH105180 TC Control Flags : GBM IL DSE --Y -- --- Subsch. ID : 10 Det. descr. : Dump Memory Using Absolute Addresses	DC602180	TC	
		PDEC MAP Interface 1 Status Register (MAP interface to PM A) [PDEC_MAP1STAT]:			
	ET+= UT+=00.00.04	Execute Telecommand DumpMem_AbsAddr Command Parameter(s) : Memory_ID DH003180 Start_Address DH004180 N DH105180 TC Control Flags : GBM IL DSE --Y -- --- Subsch. ID : 10 Det. descr. : Dump Memory Using Absolute Addresses	DC602180	TC	
		PDEC MAP Interface 5 Status Register [PDEC_MAP5STAT]:			
	ET+= UT+=00.00.04	Execute Telecommand DumpMem_AbsAddr Command Parameter(s) : Memory_ID DH003180 Start_Address DH004180 N DH105180 TC Control Flags : GBM IL DSE --Y -- --- Subsch. ID : 10 Det. descr. : Dump Memory Using Absolute Addresses	DC602180	TC	
		PDEC Monitor [PDEC_MON]:			

Dump of CDMU and ACC registers (for AIT)
 File: H_FCP_OBS_LPRA.xls
 Author: lstefanov-hp



Step No.	Time	Activity/Remarks	TC/TLM	Display/ Branch	AIT Comment
	ET=+ UT=+00.00.04	Execute Telecommand DumpMem_AbsAddr Command Parameter(s) : Memory_ID DH003180 Start_Address DH004180 N DH105180 TC Control Flags : GBM IL DSE --Y -- --- Subsch. ID : 10 Det. descr. : Dump Memory Using Absolute Addresses	DC602180	TC	
1.4		Packet Telecommand Encoder Module			
		TME VC Input Configuration Registers A (i.e. VC 2) [TME_VcCfgA]:			
	ET=+ UT=+00.00.04	Execute Telecommand DumpMem_AbsAddr Command Parameter(s) : Memory_ID DH003180 Start_Address DH004180 N DH105180 TC Control Flags : GBM IL DSE --Y -- --- Subsch. ID : 10 Det. descr. : Dump Memory Using Absolute Addresses	DC602180	TC	
		TME VC Input Configuration Registers B (i.e. VC 3) [TME_VcCfgB]:			
	ET=+ UT=+00.00.04	Execute Telecommand DumpMem_AbsAddr Command Parameter(s) : Memory_ID DH003180 Start_Address DH004180 N DH105180 TC Control Flags : GBM IL DSE --Y -- --- Subsch. ID : 10 Det. descr. : Dump Memory Using Absolute Addresses	DC602180	TC	
		TME VC Input Configuration Registers C (i.e. VC 0) [TME_VcCfgC]:			
	ET=+ UT=+00.00.04	Execute Telecommand DumpMem_AbsAddr Command Parameter(s) : Memory_ID DH003180 Start_Address DH004180 N DH105180 TC Control Flags : GBM IL DSE --Y -- --- Subsch. ID : 10 Det. descr. : Dump Memory Using Absolute Addresses	DC602180	TC	
		TME VC Input Configuration Registers D (i.e. VC 1) [TME_VcCfgD]:			

Dump of CDMU and ACC registers (for AIT)
 File: H_FCP_OBS_LPRA.xls
 Author: lstefanov-hp



Step No.	Time	Activity/Remarks	TC/TLM	Display/ Branch	AIT Comment
	ET=+ UT=+00.00.04	Execute Telecommand DumpMem_AbsAddr Command Parameter(s) : Memory_ID DH003180 Start_Address DH004180 N DH105180 TC Control Flags : GBM IL DSE --Y -- --- Subsch. ID : 10 Det. descr. : Dump Memory Using Absolute Addresses	DC602180	TC	
		TME VC Input Configuration Registers E (i.e. VC 4) [TME_VcCfgE]:			
	ET=+ UT=+00.00.04	Execute Telecommand DumpMem_AbsAddr Command Parameter(s) : Memory_ID DH003180 Start_Address DH004180 N DH105180 TC Control Flags : GBM IL DSE --Y -- --- Subsch. ID : 10 Det. descr. : Dump Memory Using Absolute Addresses	DC602180	TC	
		TME VC Input Configuration Registers F (i.e. VC 5) [TME_VcCfgF]:			
	ET=+ UT=+00.00.04	Execute Telecommand DumpMem_AbsAddr Command Parameter(s) : Memory_ID DH003180 Start_Address DH004180 N DH105180 TC Control Flags : GBM IL DSE --Y -- --- Subsch. ID : 10 Det. descr. : Dump Memory Using Absolute Addresses	DC602180	TC	
		TME VC Input Configuration Registers G (i.e. VC 6) [TME_VcCfgG]:			
	ET=+ UT=+00.00.04	Execute Telecommand DumpMem_AbsAddr Command Parameter(s) : Memory_ID DH003180 Start_Address DH004180 N DH105180 TC Control Flags : GBM IL DSE --Y -- --- Subsch. ID : 10 Det. descr. : Dump Memory Using Absolute Addresses	DC602180	TC	
		TME VC Input Configuration Registers H (i.e. VC 7) [TME_VcCfgH]:			

Dump of CDMU and ACC registers (for AIT)
 File: H_FCP_OBS_LPRA.xls
 Author: lstefanov-hp



Step No.	Time	Activity/Remarks	TC/TLM	Display/ Branch	AIT Comment
	ET=+ UT=+00.00.04	Execute Telecommand DumpMem_AbsAddr Command Parameter(s) : Memory_ID DH003180 Start_Address DH004180 N DH105180 TC Control Flags : GBM IL DSE --Y -- --- Subsch. ID : 10 Det. descr. : Dump Memory Using Absolute Addresses	DC602180	TC	
		TME TM Encoding Configuration Register 0 [TME_TmEnCfg0]:			
	ET=+ UT=+00.00.04	Execute Telecommand DumpMem_AbsAddr Command Parameter(s) : Memory_ID DH003180 Start_Address DH004180 N DH105180 TC Control Flags : GBM IL DSE --Y -- --- Subsch. ID : 10 Det. descr. : Dump Memory Using Absolute Addresses	DC602180	TC	
		TME TM Encoding Configuration Register 1 [TME_TmEnCfg1]:			
	ET=+ UT=+00.00.04	Execute Telecommand DumpMem_AbsAddr Command Parameter(s) : Memory_ID DH003180 Start_Address DH004180 N DH105180 TC Control Flags : GBM IL DSE --Y -- --- Subsch. ID : 10 Det. descr. : Dump Memory Using Absolute Addresses	DC602180	TC	
		TME TFM SubC Divisor Register [TME_TfmSubCDiv]:			
	ET=+ UT=+00.00.04	Execute Telecommand DumpMem_AbsAddr Command Parameter(s) : Memory_ID DH003180 Start_Address DH004180 N DH105180 TC Control Flags : GBM IL DSE --Y -- --- Subsch. ID : 10 Det. descr. : Dump Memory Using Absolute Addresses	DC602180	TC	
		TME TFM Bit Rate Divisor Register [TME_TfmBRDiv]:			

Dump of CDMU and ACC registers (for AIT)
 File: H_FCP_OBS_LPRA.xls
 Author: lstefanov-hp



Step No.	Time	Activity/Remarks	TC/TLM	Display/ Branch	AIT Comment
	ET=+ UT=+00.00.04	Execute Telecommand DumpMem_AbsAddr Command Parameter(s) : Memory_ID DH003180 Start_Address DH004180 N DH105180 TC Control Flags : GBM IL DSE --Y -- --- Subsch. ID : 10 Det. descr. : Dump Memory Using Absolute Addresses	DC602180	TC	
1.5		CPDM Selector Module			
		CSEL Status Register [CS_STAT]:			
	ET=+ UT=+00.00.04	Execute Telecommand DumpMem_AbsAddr Command Parameter(s) : Memory_ID DH003180 Start_Address DH004180 N DH105180 TC Control Flags : GBM IL DSE --Y -- --- Subsch. ID : 10 Det. descr. : Dump Memory Using Absolute Addresses	DC602180	TC	
1.6		Command Pulse Distribution Module			
		CPDM Status Report Register [CPDM_SRR]:			
	ET=+ UT=+00.00.04	Execute Telecommand DumpMem_AbsAddr Command Parameter(s) : Memory_ID DH003180 Start_Address DH004180 N DH105180 TC Control Flags : GBM IL DSE --Y -- --- Subsch. ID : 10 Det. descr. : Dump Memory Using Absolute Addresses	DC602180	TC	
		CPDM Status Register [CPDM_SR]:			
	ET=+ UT=+00.00.04	Execute Telecommand DumpMem_AbsAddr Command Parameter(s) : Memory_ID DH003180 Start_Address DH004180 N DH105180 TC Control Flags : GBM IL DSE --Y -- --- Subsch. ID : 10 Det. descr. : Dump Memory Using Absolute Addresses	DC602180	TC	

Dump of CDMU and ACC registers (for AIT)
 File: H_FCP_OBS_LPRA.xls
 Author: lstefanov-hp



Step No.	Time	Activity/Remarks	TC/TLM	Display/ Branch	AIT Comment
1.7		Reconfiguration Module (RM) and RMHAB register area			
		RMH Status Register [RMH_STAT]:			
	ET+=+ UT+=+00.00.04	Execute Telecommand DumpMem_AbsAddr Command Parameter(s) : Memory_ID DH003180 Start_Address DH004180 N DH105180 TC Control Flags : GBM IL DSE --Y -- --- Subsch. ID : 10 Det. descr. : Dump Memory Using Absolute Addresses	DC602180	TC	
		RMH Alarm Status Register [RMH_ASTAT]:			
	ET+=+ UT+=+00.00.04	Execute Telecommand DumpMem_AbsAddr Command Parameter(s) : Memory_ID DH003180 Start_Address DH004180 N DH105180 TC Control Flags : GBM IL DSE --Y -- --- Subsch. ID : 10 Det. descr. : Dump Memory Using Absolute Addresses	DC602180	TC	
		RMH Monitor Status Register [RMH_MSTAT]:			
	ET+=+ UT+=+00.00.04	Execute Telecommand DumpMem_AbsAddr Command Parameter(s) : Memory_ID DH003180 Start_Address DH004180 N DH105180 TC Control Flags : GBM IL DSE --Y -- --- Subsch. ID : 10 Det. descr. : Dump Memory Using Absolute Addresses	DC602180	TC	
		RMH Filtered Alarm Status Register [RMH_FSTAT]:			
	ET+=+ UT+=+00.00.04	Execute Telecommand DumpMem_AbsAddr Command Parameter(s) : Memory_ID DH003180 Start_Address DH004180 N DH105180 TC Control Flags : GBM IL DSE --Y -- --- Subsch. ID : 10 Det. descr. : Dump Memory Using Absolute Addresses	DC602180	TC	
		RMH LOG Pointer Register [RMH_LOGPTR]:			

Dump of CDMU and ACC registers (for AIT)
 File: H_FCP_OBS_LPRA.xls
 Author: lstefanov-hp



Step No.	Time	Activity/Remarks	TC/TLM	Display/ Branch	AIT Comment
	ET+= UT+=00.00.04	Execute Telecommand DumpMem_AbsAddr Command Parameter(s) : Memory_ID DH003180 Start_Address DH004180 N DH105180 TC Control Flags : GBM IL DSE --Y -- --- Subsch. ID : 10 Det. descr. : Dump Memory Using Absolute Addresses	DC602180	TC	
		RMH AT Pointer Register [RMH_ATPTR]:			
	ET+= UT+=00.00.04	Execute Telecommand DumpMem_AbsAddr Command Parameter(s) : Memory_ID DH003180 Start_Address DH004180 N DH105180 TC Control Flags : GBM IL DSE --Y -- --- Subsch. ID : 10 Det. descr. : Dump Memory Using Absolute Addresses	DC602180	TC	
		RMH PAP Pointer Register [PAPPTR]:			
	ET+= UT+=00.00.04	Execute Telecommand DumpMem_AbsAddr Command Parameter(s) : Memory_ID DH003180 Start_Address DH004180 N DH105180 TC Control Flags : GBM IL DSE --Y -- --- Subsch. ID : 10 Det. descr. : Dump Memory Using Absolute Addresses	DC602180	TC	
		RMH PKT Pointer Register [RMH_PKTPTR]:			
	ET+= UT+=00.00.04	Execute Telecommand DumpMem_AbsAddr Command Parameter(s) : Memory_ID DH003180 Start_Address DH004180 N DH105180 TC Control Flags : GBM IL DSE --Y -- --- Subsch. ID : 10 Det. descr. : Dump Memory Using Absolute Addresses	DC602180	TC	
		RMH PLT Pointer Register [RMH_PLTPTR]:			
	ET+= UT+=00.00.04	Execute Telecommand DumpMem_AbsAddr Command Parameter(s) : Memory_ID DH003180 Start_Address DH004180 N DH105180 TC Control Flags : GBM IL DSE --Y -- --- Subsch. ID : 10 Det. descr. : Dump Memory Using Absolute Addresses	DC602180	TC	

Dump of CDMU and ACC registers (for AIT)
 File: H_FCP_OBS_LPRA.xls
 Author: lstefanov-hp



Step No.	Time	Activity/Remarks	TC/TLM	Display/ Branch	AIT Comment
		RMH Toggle Delay Register 0 [RMH_TGDLY0]:			
	ET=+ UT=+00.00.04	Execute Telecommand DumpMem_AbsAddr Command Parameter(s) : Memory_ID DH003180 Start_Address DH004180 N DH105180 TC Control Flags : GBM IL DSE --Y -- --- Subsch. ID : 10 Det. descr. : Dump Memory Using Absolute Addresses	DC602180	TC	
		RMH Toggle Delay Register 1 [RMH_TGDLY1]:			
	ET=+ UT=+00.00.04	Execute Telecommand DumpMem_AbsAddr Command Parameter(s) : Memory_ID DH003180 Start_Address DH004180 N DH105180 TC Control Flags : GBM IL DSE --Y -- --- Subsch. ID : 10 Det. descr. : Dump Memory Using Absolute Addresses	DC602180	TC	
		RMH Activation Delay Register [RMH_ADLY]:			
	ET=+ UT=+00.00.04	Execute Telecommand DumpMem_AbsAddr Command Parameter(s) : Memory_ID DH003180 Start_Address DH004180 N DH105180 TC Control Flags : GBM IL DSE --Y -- --- Subsch. ID : 10 Det. descr. : Dump Memory Using Absolute Addresses	DC602180	TC	
		RMH Retry Delay Register [RMH_RDLY]:			
	ET=+ UT=+00.00.04	Execute Telecommand DumpMem_AbsAddr Command Parameter(s) : Memory_ID DH003180 Start_Address DH004180 N DH105180 TC Control Flags : GBM IL DSE --Y -- --- Subsch. ID : 10 Det. descr. : Dump Memory Using Absolute Addresses	DC602180	TC	
		RMH Toggle Delay Select Register [RMH_TGSEL]:			

Dump of CDMU and ACC registers (for AIT)
 File: H_FCP_OBS_LPRA.xls
 Author: lstefanov-hp



Step No.	Time	Activity/Remarks	TC/TLM	Display/ Branch	AIT Comment
	ET=+ UT=+00.00.04	Execute Telecommand DumpMem_AbsAddr Command Parameter(s) : Memory_ID DH003180 Start_Address DH004180 N DH105180 TC Control Flags : GBM IL DSE --Y -- --- Subsch. ID : 10 Det. descr. : Dump Memory Using Absolute Addresses	DC602180	TC	
		RMH Alarm Polarity Register [RMH_APOL]:			
	ET=+ UT=+00.00.04	Execute Telecommand DumpMem_AbsAddr Command Parameter(s) : Memory_ID DH003180 Start_Address DH004180 N DH105180 TC Control Flags : GBM IL DSE --Y -- --- Subsch. ID : 10 Det. descr. : Dump Memory Using Absolute Addresses	DC602180	TC	
		RMH Temporisation Mode Register [RMH_TMOD]:			
	ET=+ UT=+00.00.04	Execute Telecommand DumpMem_AbsAddr Command Parameter(s) : Memory_ID DH003180 Start_Address DH004180 N DH105180 TC Control Flags : GBM IL DSE --Y -- --- Subsch. ID : 10 Det. descr. : Dump Memory Using Absolute Addresses	DC602180	TC	
		RMH Vote Enable Register [RMH_VEN]:			
	ET=+ UT=+00.00.04	Execute Telecommand DumpMem_AbsAddr Command Parameter(s) : Memory_ID DH003180 Start_Address DH004180 N DH105180 TC Control Flags : GBM IL DSE --Y -- --- Subsch. ID : 10 Det. descr. : Dump Memory Using Absolute Addresses	DC602180	TC	
		RMH Alarm Enable Set Register [RMH_AENSET]:			
	ET=+ UT=+00.00.04	Execute Telecommand DumpMem_AbsAddr Command Parameter(s) : Memory_ID DH003180 Start_Address DH004180 N DH105180 TC Control Flags : GBM IL DSE --Y -- --- Subsch. ID : 10 Det. descr. : Dump Memory Using Absolute Addresses	DC602180	TC	

Dump of CDMU and ACC registers (for AIT)
 File: H_FCP_OBS_LPRA.xls
 Author: lstefanov-hp



Step No.	Time	Activity/Remarks	TC/TLM	Display/ Branch	AIT Comment
		RMH Temporisation Delay Register 0 [RMH_TDLY0]:			
	ET=+ UT=+00.00.04	Execute Telecommand DumpMem_AbsAddr Command Parameter(s) : Memory_ID DH003180 Start_Address DH004180 N DH105180 TC Control Flags : GBM IL DSE --Y -- --- Subsch. ID : 10 Det. descr. : Dump Memory Using Absolute Addresses	DC602180	TC	
		RMH Temporisation Delay Register 1 [RMH_TDLY1]:			
	ET=+ UT=+00.00.04	Execute Telecommand DumpMem_AbsAddr Command Parameter(s) : Memory_ID DH003180 Start_Address DH004180 N DH105180 TC Control Flags : GBM IL DSE --Y -- --- Subsch. ID : 10 Det. descr. : Dump Memory Using Absolute Addresses	DC602180	TC	
		RMH Temporisation Delay Register 2 [RMH_TDLY2]:			
	ET=+ UT=+00.00.04	Execute Telecommand DumpMem_AbsAddr Command Parameter(s) : Memory_ID DH003180 Start_Address DH004180 N DH105180 TC Control Flags : GBM IL DSE --Y -- --- Subsch. ID : 10 Det. descr. : Dump Memory Using Absolute Addresses	DC602180	TC	
		RMH Temporisation Delay Register 3 [RMH_TDLY3]:			
	ET=+ UT=+00.00.04	Execute Telecommand DumpMem_AbsAddr Command Parameter(s) : Memory_ID DH003180 Start_Address DH004180 N DH105180 TC Control Flags : GBM IL DSE --Y -- --- Subsch. ID : 10 Det. descr. : Dump Memory Using Absolute Addresses	DC602180	TC	
		RMH Temporisation Delay Register 4 [RMH_TDLY4]:			

Dump of CDMU and ACC registers (for AIT)
 File: H_FCP_OBS_LPRA.xls
 Author: lstefanov-hp



Step No.	Time	Activity/Remarks	TC/TLM	Display/ Branch	AIT Comment
	ET=+ UT=+00.00.04	Execute Telecommand DumpMem_AbsAddr Command Parameter(s) : Memory_ID DH003180 Start_Address DH004180 N DH105180 TC Control Flags : GBM IL DSE --Y -- --- Subsch. ID : 10 Det. descr. : Dump Memory Using Absolute Addresses	DC602180	TC	
		RMH Temporisation Delay Register 5 [RMH_TDLY5]:			
	ET=+ UT=+00.00.04	Execute Telecommand DumpMem_AbsAddr Command Parameter(s) : Memory_ID DH003180 Start_Address DH004180 N DH105180 TC Control Flags : GBM IL DSE --Y -- --- Subsch. ID : 10 Det. descr. : Dump Memory Using Absolute Addresses	DC602180	TC	
		RMH Temporisation Delay Register 6 [RMH_TDLY6]:			
	ET=+ UT=+00.00.04	Execute Telecommand DumpMem_AbsAddr Command Parameter(s) : Memory_ID DH003180 Start_Address DH004180 N DH105180 TC Control Flags : GBM IL DSE --Y -- --- Subsch. ID : 10 Det. descr. : Dump Memory Using Absolute Addresses	DC602180	TC	
		RMH Temporisation Delay Register 7 [RMH_TDLY7]:			
	ET=+ UT=+00.00.04	Execute Telecommand DumpMem_AbsAddr Command Parameter(s) : Memory_ID DH003180 Start_Address DH004180 N DH105180 TC Control Flags : GBM IL DSE --Y -- --- Subsch. ID : 10 Det. descr. : Dump Memory Using Absolute Addresses	DC602180	TC	
		RMH Temporisation Delay Register 8 [RMH_TDLY8]:			
	ET=+ UT=+00.00.04	Execute Telecommand DumpMem_AbsAddr Command Parameter(s) : Memory_ID DH003180 Start_Address DH004180 N DH105180 TC Control Flags : GBM IL DSE --Y -- --- Subsch. ID : 10 Det. descr. : Dump Memory Using Absolute Addresses	DC602180	TC	

Dump of CDMU and ACC registers (for AIT)
 File: H_FCP_OBS_LPRA.xls
 Author: lstefanov-hp



Step No.	Time	Activity/Remarks	TC/TLM	Display/ Branch	AIT Comment
		RMH Attempt Count Register 0 [RMH_ATCNT0]:			
	ET=+ UT=+00.00.04	Execute Telecommand DumpMem_AbsAddr Command Parameter(s) : Memory_ID DH003180 Start_Address DH004180 N DH105180 TC Control Flags : GBM IL DSE --Y -- --- Subsch. ID : 10 Det. descr. : Dump Memory Using Absolute Addresses	DC602180	TC	
		RMH Attempt Count Register 1 [RMH_ATCNT1]:			
	ET=+ UT=+00.00.04	Execute Telecommand DumpMem_AbsAddr Command Parameter(s) : Memory_ID DH003180 Start_Address DH004180 N DH105180 TC Control Flags : GBM IL DSE --Y -- --- Subsch. ID : 10 Det. descr. : Dump Memory Using Absolute Addresses	DC602180	TC	
		RMH Attempt Count Register 2 [RMH_ATCNT2]:			
	ET=+ UT=+00.00.04	Execute Telecommand DumpMem_AbsAddr Command Parameter(s) : Memory_ID DH003180 Start_Address DH004180 N DH105180 TC Control Flags : GBM IL DSE --Y -- --- Subsch. ID : 10 Det. descr. : Dump Memory Using Absolute Addresses	DC602180	TC	
		RMH Attempt Count Register 3 [RMH_ATCNT3]:			
	ET=+ UT=+00.00.04	Execute Telecommand DumpMem_AbsAddr Command Parameter(s) : Memory_ID DH003180 Start_Address DH004180 N DH105180 TC Control Flags : GBM IL DSE --Y -- --- Subsch. ID : 10 Det. descr. : Dump Memory Using Absolute Addresses	DC602180	TC	
		RMH Attempt Count Register 4 [RMH_ATCNT4]:			

Dump of CDMU and ACC registers (for AIT)
 File: H_FCP_OBS_LPRA.xls
 Author: lstefanov-hp



Step No.	Time	Activity/Remarks	TC/TLM	Display/ Branch	AIT Comment
	ET=+ UT=+00.00.04	Execute Telecommand DumpMem_AbsAddr Command Parameter(s) : Memory_ID DH003180 Start_Address DH004180 N DH105180 TC Control Flags : GBM IL DSE --Y -- --- Subsch. ID : 10 Det. descr. : Dump Memory Using Absolute Addresses	DC602180	TC	
		RMH Attempt Count Register 5 [RMH_ATCNT5]:			
	ET=+ UT=+00.00.04	Execute Telecommand DumpMem_AbsAddr Command Parameter(s) : Memory_ID DH003180 Start_Address DH004180 N DH105180 TC Control Flags : GBM IL DSE --Y -- --- Subsch. ID : 10 Det. descr. : Dump Memory Using Absolute Addresses	DC602180	TC	
		RMH Attempt Count Register 6 [RMH_ATCNT6]:			
	ET=+ UT=+00.00.04	Execute Telecommand DumpMem_AbsAddr Command Parameter(s) : Memory_ID DH003180 Start_Address DH004180 N DH105180 TC Control Flags : GBM IL DSE --Y -- --- Subsch. ID : 10 Det. descr. : Dump Memory Using Absolute Addresses	DC602180	TC	
1.8		Parallel IO Module			
		PIO IO Status Register [PIO_IOSR]:			
	ET=+ UT=+00.00.04	Execute Telecommand DumpMem_AbsAddr Command Parameter(s) : Memory_ID DH003180 Start_Address DH004180 N DH105180 TC Control Flags : GBM IL DSE --Y -- --- Subsch. ID : 10 Det. descr. : Dump Memory Using Absolute Addresses	DC602180	TC	
1.9		SpaceWire Module			
		SPW Link Status Register [SPW_SSR]:			

Dump of CDMU and ACC registers (for AIT)
 File: H_FCP_OBS_LPRA.xls
 Author: lstefanov-hp



Step No.	Time	Activity/Remarks	TC/TLM	Display/ Branch	AIT Comment
	ET+= UT+=00.00.04	Execute Telecommand DumpMem_AbsAddr Command Parameter(s) : Memory_ID DH003180 Start_Address DH004180 N DH105180 TC Control Flags : GBM IL DSE --Y -- --- Subsch. ID : 10 Det. descr. : Dump Memory Using Absolute Addresses	DC602180	TC	
1.10		On Board Time Module OBT Control Register [OBT_CTRL]:			
	ET+= UT+=00.00.04	Execute Telecommand DumpMem_AbsAddr Command Parameter(s) : Memory_ID DH003180 Start_Address DH004180 N DH105180 TC Control Flags : GBM IL DSE --Y -- --- Subsch. ID : 10 Det. descr. : Dump Memory Using Absolute Addresses	DC602180	TC	
1.11		M1553 Module M1553 Status Register [M5Stat]:			
	ET+= UT+=00.00.04	Execute Telecommand DumpMem_AbsAddr Command Parameter(s) : Memory_ID DH003180 Start_Address DH004180 N DH105180 TC Control Flags : GBM IL DSE --Y -- --- Subsch. ID : 10 Det. descr. : Dump Memory Using Absolute Addresses	DC602180	TC	
2		Dump contents of CDMU CROME B Internal Registers 64 TCs for CDMU CROME B Internal Registers dump		Next Step: 3	
2.1		Clock and Reset Block Module CAR Power On Reset Register [CAR_PwrOnRst]:			

Dump of CDMU and ACC registers (for AIT)
 File: H_FCP_OBS_LPRA.xls
 Author: lstefanov-hp



Step No.	Time	Activity/Remarks	TC/TLM	Display/ Branch	AIT Comment
	ET=+ UT=+00.00.10	Execute Telecommand DumpMem_AbsAddr Command Parameter(s) : Memory_ID DH003180 Start_Address DH004180 N DH105180 TC Control Flags : GBM IL DSE --Y -- --- Subsch. ID : 10 Det. descr. : Dump Memory Using Absolute Addresses	DC602180	TC	
2.2		Memory Interface and Internal Bus Master Module			
		PIM Write Disable Status Register [PIM_WrDis]:			
	ET=+ UT=+00.00.04	Execute Telecommand DumpMem_AbsAddr Command Parameter(s) : Memory_ID DH003180 Start_Address DH004180 N DH105180 TC Control Flags : GBM IL DSE --Y -- --- Subsch. ID : 10 Det. descr. : Dump Memory Using Absolute Addresses	DC602180	TC	
		PIM Scrubber Configuration Register [PIM_ScuCNFR]:			
	ET=+ UT=+00.00.04	Execute Telecommand DumpMem_AbsAddr Command Parameter(s) : Memory_ID DH003180 Start_Address DH004180 N DH105180 TC Control Flags : GBM IL DSE --Y -- --- Subsch. ID : 10 Det. descr. : Dump Memory Using Absolute Addresses	DC602180	TC	
		PIM Scrubber Start Address [PIM_ScuSAR]:			
	ET=+ UT=+00.00.04	Execute Telecommand DumpMem_AbsAddr Command Parameter(s) : Memory_ID DH003180 Start_Address DH004180 N DH105180 TC Control Flags : GBM IL DSE --Y -- --- Subsch. ID : 10 Det. descr. : Dump Memory Using Absolute Addresses	DC602180	TC	
		PIM Scrubber End Address [PIM_ScuEAR]:			

Dump of CDMU and ACC registers (for AIT)
 File: H_FCP_OBS_LPRA.xls
 Author: lstefanov-hp



Step No.	Time	Activity/Remarks	TC/TLM	Display/ Branch	AIT Comment
	ET+= UT+=00.00.04	Execute Telecommand DumpMem_AbsAddr Command Parameter(s) : Memory_ID DH003180 Start_Address DH004180 N DH105180 TC Control Flags : GBM IL DSE --Y -- --- Subsch. ID : 10 Det. descr. : Dump Memory Using Absolute Addresses	DC602180	TC	
		PIM Status Register [PIM_SR]:			
	ET+= UT+=00.00.04	Execute Telecommand DumpMem_AbsAddr Command Parameter(s) : Memory_ID DH003180 Start_Address DH004180 N DH105180 TC Control Flags : GBM IL DSE --Y -- --- Subsch. ID : 10 Det. descr. : Dump Memory Using Absolute Addresses	DC602180	TC	
2.3		Packet Telecommand Decoder Module			
		PDEC Frame Analysis Report Copy [PDEC_FARCP]:			
	ET+= UT+=00.00.04	Execute Telecommand DumpMem_AbsAddr Command Parameter(s) : Memory_ID DH003180 Start_Address DH004180 N DH105180 TC Control Flags : GBM IL DSE --Y -- --- Subsch. ID : 10 Det. descr. : Dump Memory Using Absolute Addresses	DC602180	TC	
		PDEC Command Link Control Word [PDEC_CLCW]:			
	ET+= UT+=00.00.04	Execute Telecommand DumpMem_AbsAddr Command Parameter(s) : Memory_ID DH003180 Start_Address DH004180 N DH105180 TC Control Flags : GBM IL DSE --Y -- --- Subsch. ID : 10 Det. descr. : Dump Memory Using Absolute Addresses	DC602180	TC	
		PDEC MAP Interface 1 Status Register (MAP interface to PM A) [PDEC_MAP1STAT]:			

Dump of CDMU and ACC registers (for AIT)
 File: H_FCP_OBS_LPRA.xls
 Author: lstefanov-hp



Step No.	Time	Activity/Remarks	TC/TLM	Display/ Branch	AIT Comment
	ET=+ UT=+00.00.04	Execute Telecommand DumpMem_AbsAddr Command Parameter(s) : Memory_ID DH003180 Start_Address DH004180 N DH105180 TC Control Flags : GBM IL DSE --Y -- --- Subsch. ID : 10 Det. descr. : Dump Memory Using Absolute Addresses	DC602180	TC	
		PDEC MAP Interface 5 Status Register [PDEC_MAP5STAT]:			
	ET=+ UT=+00.00.04	Execute Telecommand DumpMem_AbsAddr Command Parameter(s) : Memory_ID DH003180 Start_Address DH004180 N DH105180 TC Control Flags : GBM IL DSE --Y -- --- Subsch. ID : 10 Det. descr. : Dump Memory Using Absolute Addresses	DC602180	TC	
		PDEC Monitor [PDEC_MON]:			
	ET=+ UT=+00.00.04	Execute Telecommand DumpMem_AbsAddr Command Parameter(s) : Memory_ID DH003180 Start_Address DH004180 N DH105180 TC Control Flags : GBM IL DSE --Y -- --- Subsch. ID : 10 Det. descr. : Dump Memory Using Absolute Addresses	DC602180	TC	
2.4		Packet Telecommand Encoder Module			
		TME VC Input Configuration Registers A (i.e. VC 2) [TME_VcCfgA]:			
	ET=+ UT=+00.00.04	Execute Telecommand DumpMem_AbsAddr Command Parameter(s) : Memory_ID DH003180 Start_Address DH004180 N DH105180 TC Control Flags : GBM IL DSE --Y -- --- Subsch. ID : 10 Det. descr. : Dump Memory Using Absolute Addresses	DC602180	TC	
		TME VC Input Configuration Registers B (i.e. VC 3) [TME_VcCfgB]:			

Dump of CDMU and ACC registers (for AIT)
 File: H_FCP_OBS_LPRA.xls
 Author: lstefanov-hp



Step No.	Time	Activity/Remarks	TC/TLM	Display/ Branch	AIT Comment
	ET+= UT+=00.00.04	Execute Telecommand DumpMem_AbsAddr Command Parameter(s) : Memory_ID DH003180 Start_Address DH004180 N DH105180 TC Control Flags : GBM IL DSE --Y -- --- Subsch. ID : 10 Det. descr. : Dump Memory Using Absolute Addresses	DC602180	TC	
		TME VC Input Configuration Registers C (i.e. VC 0) [TME_VcCfgC]:			
	ET+= UT+=00.00.04	Execute Telecommand DumpMem_AbsAddr Command Parameter(s) : Memory_ID DH003180 Start_Address DH004180 N DH105180 TC Control Flags : GBM IL DSE --Y -- --- Subsch. ID : 10 Det. descr. : Dump Memory Using Absolute Addresses	DC602180	TC	
		TME VC Input Configuration Registers D (i.e. VC 1) [TME_VcCfgD]:			
	ET+= UT+=00.00.04	Execute Telecommand DumpMem_AbsAddr Command Parameter(s) : Memory_ID DH003180 Start_Address DH004180 N DH105180 TC Control Flags : GBM IL DSE --Y -- --- Subsch. ID : 10 Det. descr. : Dump Memory Using Absolute Addresses	DC602180	TC	
		TME VC Input Configuration Registers E (i.e. VC 4) [TME_VcCfgE]:			
	ET+= UT+=00.00.04	Execute Telecommand DumpMem_AbsAddr Command Parameter(s) : Memory_ID DH003180 Start_Address DH004180 N DH105180 TC Control Flags : GBM IL DSE --Y -- --- Subsch. ID : 10 Det. descr. : Dump Memory Using Absolute Addresses	DC602180	TC	
		TME VC Input Configuration Registers F (i.e. VC 5) [TME_VcCfgF]:			

Dump of CDMU and ACC registers (for AIT)
 File: H_FCP_OBS_LPRA.xls
 Author: lstefanov-hp



Step No.	Time	Activity/Remarks	TC/TLM	Display/ Branch	AIT Comment
	ET=+ UT=+00.00.04	Execute Telecommand DumpMem_AbsAddr Command Parameter(s) : Memory_ID DH003180 Start_Address DH004180 N DH105180 TC Control Flags : GBM IL DSE --Y -- --- Subsch. ID : 10 Det. descr. : Dump Memory Using Absolute Addresses	DC602180	TC	
		TME VC Input Configuration Registers G (i.e. VC 6) [TME_VcCfgG]:			
	ET=+ UT=+00.00.04	Execute Telecommand DumpMem_AbsAddr Command Parameter(s) : Memory_ID DH003180 Start_Address DH004180 N DH105180 TC Control Flags : GBM IL DSE --Y -- --- Subsch. ID : 10 Det. descr. : Dump Memory Using Absolute Addresses	DC602180	TC	
		TME VC Input Configuration Registers H (i.e. VC 7) [TME_VcCfgH]:			
	ET=+ UT=+00.00.04	Execute Telecommand DumpMem_AbsAddr Command Parameter(s) : Memory_ID DH003180 Start_Address DH004180 N DH105180 TC Control Flags : GBM IL DSE --Y -- --- Subsch. ID : 10 Det. descr. : Dump Memory Using Absolute Addresses	DC602180	TC	
		TME TM Encoding Configuration Register 0 [TME_TmEnCfg0]:			
	ET=+ UT=+00.00.04	Execute Telecommand DumpMem_AbsAddr Command Parameter(s) : Memory_ID DH003180 Start_Address DH004180 N DH105180 TC Control Flags : GBM IL DSE --Y -- --- Subsch. ID : 10 Det. descr. : Dump Memory Using Absolute Addresses	DC602180	TC	
		TME TM Encoding Configuration Register 1 [TME_TmEnCfg1]:			

Dump of CDMU and ACC registers (for AIT)
 File: H_FCP_OBS_LPRA.xls
 Author: lstefanov-hp



Step No.	Time	Activity/Remarks	TC/TLM	Display/ Branch	AIT Comment
	ET=+ UT=+00.00.04	Execute Telecommand DumpMem_AbsAddr Command Parameter(s) : Memory_ID DH003180 Start_Address DH004180 N DH105180 TC Control Flags : GBM IL DSE --Y -- --- Subsch. ID : 10 Det. descr. : Dump Memory Using Absolute Addresses	DC602180	TC	
		TME TFM SubC Divisor Register [TME_TfmSubCDiv]:			
	ET=+ UT=+00.00.04	Execute Telecommand DumpMem_AbsAddr Command Parameter(s) : Memory_ID DH003180 Start_Address DH004180 N DH105180 TC Control Flags : GBM IL DSE --Y -- --- Subsch. ID : 10 Det. descr. : Dump Memory Using Absolute Addresses	DC602180	TC	
		TME TFM Bit Rate Divisor Register [TME_TfmBRDiv]:			
	ET=+ UT=+00.00.04	Execute Telecommand DumpMem_AbsAddr Command Parameter(s) : Memory_ID DH003180 Start_Address DH004180 N DH105180 TC Control Flags : GBM IL DSE --Y -- --- Subsch. ID : 10 Det. descr. : Dump Memory Using Absolute Addresses	DC602180	TC	
2.5		CPDM Selector Module			
		CSEL Status Register [CS_STAT]:			
	ET=+ UT=+00.00.04	Execute Telecommand DumpMem_AbsAddr Command Parameter(s) : Memory_ID DH003180 Start_Address DH004180 N DH105180 TC Control Flags : GBM IL DSE --Y -- --- Subsch. ID : 10 Det. descr. : Dump Memory Using Absolute Addresses	DC602180	TC	
2.6		Command Pulse Distribution Module			
		CPDM Status Report Register [CPDM_SRR]:			

Dump of CDMU and ACC registers (for AIT)
 File: H_FCP_OBS_LPRA.xls
 Author: lstefanov-hp



Step No.	Time	Activity/Remarks	TC/TLM	Display/ Branch	AIT Comment
	ET+= UT+=00.00.04	Execute Telecommand DumpMem_AbsAddr Command Parameter(s) : Memory_ID DH003180 Start_Address DH004180 N DH105180 TC Control Flags : GBM IL DSE --Y -- --- Subsch. ID : 10 Det. descr. : Dump Memory Using Absolute Addresses	DC602180	TC	
		CPDM Status Register [CPDM_SR]:			
	ET+= UT+=00.00.04	Execute Telecommand DumpMem_AbsAddr Command Parameter(s) : Memory_ID DH003180 Start_Address DH004180 N DH105180 TC Control Flags : GBM IL DSE --Y -- --- Subsch. ID : 10 Det. descr. : Dump Memory Using Absolute Addresses	DC602180	TC	
2.7		Reconfiguration Module (RM) and RMHAB register area			
		RMH Status Register [RMH_STAT]:			
	ET+= UT+=00.00.04	Execute Telecommand DumpMem_AbsAddr Command Parameter(s) : Memory_ID DH003180 Start_Address DH004180 N DH105180 TC Control Flags : GBM IL DSE --Y -- --- Subsch. ID : 10 Det. descr. : Dump Memory Using Absolute Addresses	DC602180	TC	
		RMH Alarm Status Register [RMH_ASTAT]:			
	ET+= UT+=00.00.04	Execute Telecommand DumpMem_AbsAddr Command Parameter(s) : Memory_ID DH003180 Start_Address DH004180 N DH105180 TC Control Flags : GBM IL DSE --Y -- --- Subsch. ID : 10 Det. descr. : Dump Memory Using Absolute Addresses	DC602180	TC	
		RMH Monitor Status Register [RMH_MSTAT]:			

Dump of CDMU and ACC registers (for AIT)
 File: H_FCP_OBS_LPRA.xls
 Author: lstefanov-hp



Step No.	Time	Activity/Remarks	TC/TLM	Display/ Branch	AIT Comment
	ET=+ UT=+00.00.04	Execute Telecommand DumpMem_AbsAddr Command Parameter(s) : Memory_ID DH003180 Start_Address DH004180 N DH105180 TC Control Flags : GBM IL DSE --Y -- --- Subsch. ID : 10 Det. descr. : Dump Memory Using Absolute Addresses	DC602180	TC	
		RMH Filtered Alarm Status Register [RMH_FSTAT]:			
	ET=+ UT=+00.00.04	Execute Telecommand DumpMem_AbsAddr Command Parameter(s) : Memory_ID DH003180 Start_Address DH004180 N DH105180 TC Control Flags : GBM IL DSE --Y -- --- Subsch. ID : 10 Det. descr. : Dump Memory Using Absolute Addresses	DC602180	TC	
		RMH LOG Pointer Register [RMH_LOGPTR]:			
	ET=+ UT=+00.00.04	Execute Telecommand DumpMem_AbsAddr Command Parameter(s) : Memory_ID DH003180 Start_Address DH004180 N DH105180 TC Control Flags : GBM IL DSE --Y -- --- Subsch. ID : 10 Det. descr. : Dump Memory Using Absolute Addresses	DC602180	TC	
		RMH AT Pointer Register [RMH_ATPTR]:			
	ET=+ UT=+00.00.04	Execute Telecommand DumpMem_AbsAddr Command Parameter(s) : Memory_ID DH003180 Start_Address DH004180 N DH105180 TC Control Flags : GBM IL DSE --Y -- --- Subsch. ID : 10 Det. descr. : Dump Memory Using Absolute Addresses	DC602180	TC	
		RMH PAP Pointer Register [PAPPTR]:			
	ET=+ UT=+00.00.04	Execute Telecommand DumpMem_AbsAddr Command Parameter(s) : Memory_ID DH003180 Start_Address DH004180 N DH105180 TC Control Flags : GBM IL DSE --Y -- --- Subsch. ID : 10 Det. descr. : Dump Memory Using Absolute Addresses	DC602180	TC	

Dump of CDMU and ACC registers (for AIT)
 File: H_FCP_OBS_LPRA.xls
 Author: lstefanov-hp



Step No.	Time	Activity/Remarks	TC/TLM	Display/ Branch	AIT Comment
		RMH PKT Pointer Register [RMH_PKTPTTR]:			
	ET=+ UT=+00.00.04	Execute Telecommand DumpMem_AbsAddr Command Parameter(s) : Memory_ID DH003180 Start_Address DH004180 N DH105180 TC Control Flags : GBM IL DSE --Y -- --- Subsch. ID : 10 Det. descr. : Dump Memory Using Absolute Addresses	DC602180	TC	
		RMH PLT Pointer Register [RMH_PLTPTR]:			
	ET=+ UT=+00.00.04	Execute Telecommand DumpMem_AbsAddr Command Parameter(s) : Memory_ID DH003180 Start_Address DH004180 N DH105180 TC Control Flags : GBM IL DSE --Y -- --- Subsch. ID : 10 Det. descr. : Dump Memory Using Absolute Addresses	DC602180	TC	
		RMH Toggle Delay Register 0 [RMH_TGDLY0]:			
	ET=+ UT=+00.00.04	Execute Telecommand DumpMem_AbsAddr Command Parameter(s) : Memory_ID DH003180 Start_Address DH004180 N DH105180 TC Control Flags : GBM IL DSE --Y -- --- Subsch. ID : 10 Det. descr. : Dump Memory Using Absolute Addresses	DC602180	TC	
		RMH Toggle Delay Register 1 [RMH_TGDLY1]:			
	ET=+ UT=+00.00.04	Execute Telecommand DumpMem_AbsAddr Command Parameter(s) : Memory_ID DH003180 Start_Address DH004180 N DH105180 TC Control Flags : GBM IL DSE --Y -- --- Subsch. ID : 10 Det. descr. : Dump Memory Using Absolute Addresses	DC602180	TC	
		RMH Activation Delay Register [RMH_ADLY]:			

Dump of CDMU and ACC registers (for AIT)
 File: H_FCP_OBS_LPRA.xls
 Author: lstefanov-hp



Step No.	Time	Activity/Remarks	TC/TLM	Display/ Branch	AIT Comment
	ET=+ UT=+00.00.04	Execute Telecommand DumpMem_AbsAddr Command Parameter(s) : Memory_ID DH003180 Start_Address DH004180 N DH105180 TC Control Flags : GBM IL DSE --Y -- --- Subsch. ID : 10 Det. descr. : Dump Memory Using Absolute Addresses	DC602180	TC	
		RMH Retry Delay Register [RMH_RDLY]:			
	ET=+ UT=+00.00.04	Execute Telecommand DumpMem_AbsAddr Command Parameter(s) : Memory_ID DH003180 Start_Address DH004180 N DH105180 TC Control Flags : GBM IL DSE --Y -- --- Subsch. ID : 10 Det. descr. : Dump Memory Using Absolute Addresses	DC602180	TC	
		RMH Toggle Delay Select Register [RMH_TGSEL]:			
	ET=+ UT=+00.00.04	Execute Telecommand DumpMem_AbsAddr Command Parameter(s) : Memory_ID DH003180 Start_Address DH004180 N DH105180 TC Control Flags : GBM IL DSE --Y -- --- Subsch. ID : 10 Det. descr. : Dump Memory Using Absolute Addresses	DC602180	TC	
		RMH Alarm Polarity Register [RMH_APOL]:			
	ET=+ UT=+00.00.04	Execute Telecommand DumpMem_AbsAddr Command Parameter(s) : Memory_ID DH003180 Start_Address DH004180 N DH105180 TC Control Flags : GBM IL DSE --Y -- --- Subsch. ID : 10 Det. descr. : Dump Memory Using Absolute Addresses	DC602180	TC	
		RMH Temporisation Mode Register [RMH_TMOD]:			
	ET=+ UT=+00.00.04	Execute Telecommand DumpMem_AbsAddr Command Parameter(s) : Memory_ID DH003180 Start_Address DH004180 N DH105180 TC Control Flags : GBM IL DSE --Y -- --- Subsch. ID : 10 Det. descr. : Dump Memory Using Absolute Addresses	DC602180	TC	

Dump of CDMU and ACC registers (for AIT)
 File: H_FCP_OBS_LPRA.xls
 Author: lstefanov-hp



Step No.	Time	Activity/Remarks	TC/TLM	Display/ Branch	AIT Comment
		RMH Vote Enable Register [RMH_VEN]:			
	ET+= UT+=00.00.04	Execute Telecommand DumpMem_AbsAddr Command Parameter(s) : Memory_ID DH003180 Start_Address DH004180 N DH105180 TC Control Flags : GBM IL DSE --Y -- --- Subsch. ID : 10 Det. descr. : Dump Memory Using Absolute Addresses	DC602180	TC	
		RMH Alarm Enable Set Register [RMH_AENSET]:			
	ET+= UT+=00.00.04	Execute Telecommand DumpMem_AbsAddr Command Parameter(s) : Memory_ID DH003180 Start_Address DH004180 N DH105180 TC Control Flags : GBM IL DSE --Y -- --- Subsch. ID : 10 Det. descr. : Dump Memory Using Absolute Addresses	DC602180	TC	
		RMH Temporisation Delay Register 0 [RMH_TDLY0]:			
	ET+= UT+=00.00.04	Execute Telecommand DumpMem_AbsAddr Command Parameter(s) : Memory_ID DH003180 Start_Address DH004180 N DH105180 TC Control Flags : GBM IL DSE --Y -- --- Subsch. ID : 10 Det. descr. : Dump Memory Using Absolute Addresses	DC602180	TC	
		RMH Temporisation Delay Register 1 [RMH_TDLY1]:			
	ET+= UT+=00.00.04	Execute Telecommand DumpMem_AbsAddr Command Parameter(s) : Memory_ID DH003180 Start_Address DH004180 N DH105180 TC Control Flags : GBM IL DSE --Y -- --- Subsch. ID : 10 Det. descr. : Dump Memory Using Absolute Addresses	DC602180	TC	
		RMH Temporisation Delay Register 2 [RMH_TDLY2]:			

Dump of CDMU and ACC registers (for AIT)
 File: H_FCP_OBS_LPRA.xls
 Author: lstefanov-hp



Step No.	Time	Activity/Remarks	TC/TLM	Display/ Branch	AIT Comment
	ET=+ UT=+00.00.04	Execute Telecommand DumpMem_AbsAddr Command Parameter(s) : Memory_ID DH003180 Start_Address DH004180 N DH105180 TC Control Flags : GBM IL DSE --Y -- --- Subsch. ID : 10 Det. descr. : Dump Memory Using Absolute Addresses	DC602180	TC	
		RMH Temporisation Delay Register 3 [RMH_TDLY3]:			
	ET=+ UT=+00.00.04	Execute Telecommand DumpMem_AbsAddr Command Parameter(s) : Memory_ID DH003180 Start_Address DH004180 N DH105180 TC Control Flags : GBM IL DSE --Y -- --- Subsch. ID : 10 Det. descr. : Dump Memory Using Absolute Addresses	DC602180	TC	
		RMH Temporisation Delay Register 4 [RMH_TDLY4]:			
	ET=+ UT=+00.00.04	Execute Telecommand DumpMem_AbsAddr Command Parameter(s) : Memory_ID DH003180 Start_Address DH004180 N DH105180 TC Control Flags : GBM IL DSE --Y -- --- Subsch. ID : 10 Det. descr. : Dump Memory Using Absolute Addresses	DC602180	TC	
		RMH Temporisation Delay Register 5 [RMH_TDLY5]:			
	ET=+ UT=+00.00.04	Execute Telecommand DumpMem_AbsAddr Command Parameter(s) : Memory_ID DH003180 Start_Address DH004180 N DH105180 TC Control Flags : GBM IL DSE --Y -- --- Subsch. ID : 10 Det. descr. : Dump Memory Using Absolute Addresses	DC602180	TC	
		RMH Temporisation Delay Register 6 [RMH_TDLY6]:			
	ET=+ UT=+00.00.04	Execute Telecommand DumpMem_AbsAddr Command Parameter(s) : Memory_ID DH003180 Start_Address DH004180 N DH105180 TC Control Flags : GBM IL DSE --Y -- --- Subsch. ID : 10 Det. descr. : Dump Memory Using Absolute Addresses	DC602180	TC	

Dump of CDMU and ACC registers (for AIT)
 File: H_FCP_OBS_LPRA.xls
 Author: lstefanov-hp



Step No.	Time	Activity/Remarks	TC/TLM	Display/ Branch	AIT Comment
		RMH Temporisation Delay Register 7 [RMH_TDLY7]:			
	ET=+ UT=+00.00.04	Execute Telecommand DumpMem_AbsAddr Command Parameter(s) : Memory_ID DH003180 Start_Address DH004180 N DH105180 TC Control Flags : GBM IL DSE --Y -- --- Subsch. ID : 10 Det. descr. : Dump Memory Using Absolute Addresses	DC602180	TC	
		RMH Temporisation Delay Register 8 [RMH_TDLY8]:			
	ET=+ UT=+00.00.04	Execute Telecommand DumpMem_AbsAddr Command Parameter(s) : Memory_ID DH003180 Start_Address DH004180 N DH105180 TC Control Flags : GBM IL DSE --Y -- --- Subsch. ID : 10 Det. descr. : Dump Memory Using Absolute Addresses	DC602180	TC	
		RMH Attempt Count Register 0 [RMH_ATCNT0]:			
	ET=+ UT=+00.00.04	Execute Telecommand DumpMem_AbsAddr Command Parameter(s) : Memory_ID DH003180 Start_Address DH004180 N DH105180 TC Control Flags : GBM IL DSE --Y -- --- Subsch. ID : 10 Det. descr. : Dump Memory Using Absolute Addresses	DC602180	TC	
		RMH Attempt Count Register 1 [RMH_ATCNT1]:			
	ET=+ UT=+00.00.04	Execute Telecommand DumpMem_AbsAddr Command Parameter(s) : Memory_ID DH003180 Start_Address DH004180 N DH105180 TC Control Flags : GBM IL DSE --Y -- --- Subsch. ID : 10 Det. descr. : Dump Memory Using Absolute Addresses	DC602180	TC	
		RMH Attempt Count Register 2 [RMH_ATCNT2]:			

Dump of CDMU and ACC registers (for AIT)
 File: H_FCP_OBS_LPRA.xls
 Author: lstefanov-hp



Step No.	Time	Activity/Remarks	TC/TLM	Display/ Branch	AIT Comment
	ET+= UT+=00.00.04	Execute Telecommand DumpMem_AbsAddr Command Parameter(s) : Memory_ID DH003180 Start_Address DH004180 N DH105180 TC Control Flags : GBM IL DSE --Y -- --- Subsch. ID : 10 Det. descr. : Dump Memory Using Absolute Addresses	DC602180	TC	
		RMH Attempt Count Register 3 [RMH_ATCNT3]:			
	ET+= UT+=00.00.04	Execute Telecommand DumpMem_AbsAddr Command Parameter(s) : Memory_ID DH003180 Start_Address DH004180 N DH105180 TC Control Flags : GBM IL DSE --Y -- --- Subsch. ID : 10 Det. descr. : Dump Memory Using Absolute Addresses	DC602180	TC	
		RMH Attempt Count Register 4 [RMH_ATCNT4]:			
	ET+= UT+=00.00.04	Execute Telecommand DumpMem_AbsAddr Command Parameter(s) : Memory_ID DH003180 Start_Address DH004180 N DH105180 TC Control Flags : GBM IL DSE --Y -- --- Subsch. ID : 10 Det. descr. : Dump Memory Using Absolute Addresses	DC602180	TC	
		RMH Attempt Count Register 5 [RMH_ATCNT5]:			
	ET+= UT+=00.00.04	Execute Telecommand DumpMem_AbsAddr Command Parameter(s) : Memory_ID DH003180 Start_Address DH004180 N DH105180 TC Control Flags : GBM IL DSE --Y -- --- Subsch. ID : 10 Det. descr. : Dump Memory Using Absolute Addresses	DC602180	TC	
		RMH Attempt Count Register 6 [RMH_ATCNT6]:			
	ET+= UT+=00.00.04	Execute Telecommand DumpMem_AbsAddr Command Parameter(s) : Memory_ID DH003180 Start_Address DH004180 N DH105180 TC Control Flags : GBM IL DSE --Y -- --- Subsch. ID : 10 Det. descr. : Dump Memory Using Absolute Addresses	DC602180	TC	

Dump of CDMU and ACC registers (for AIT)
 File: H_FCP_OBS_LPRA.xls
 Author: lstefanov-hp



Step No.	Time	Activity/Remarks	TC/TLM	Display/ Branch	AIT Comment
2.8		Parallel IO Module			
		PIO IO Status Register [PIO_IOSR]:			
	ET+= UT+=00.00.04	Execute Telecommand DumpMem_AbsAddr DC602180 Command Parameter(s) : Memory_ID DH003180 00F0 <hex> Start_Address DH004180 1840 <hex> N DH105180 4 <hex> TC Control Flags : GBM IL DSE --Y -- --- Subsch. ID : 10 Det. descr. : Dump Memory Using Absolute Addresses	DC602180	TC	
2.9		SpaceWire Module			
		SPW Link Status Register [SPW_SSR]:			
	ET+= UT+=00.00.04	Execute Telecommand DumpMem_AbsAddr DC602180 Command Parameter(s) : Memory_ID DH003180 00F0 <hex> Start_Address DH004180 3444 <hex> N DH105180 4 <hex> TC Control Flags : GBM IL DSE --Y -- --- Subsch. ID : 10 Det. descr. : Dump Memory Using Absolute Addresses	DC602180	TC	
2.10		On Board Time Module			
		OBT Control Register [OBT_CTRL]:			
	ET+= UT+=00.00.04	Execute Telecommand DumpMem_AbsAddr DC602180 Command Parameter(s) : Memory_ID DH003180 00F0 <hex> Start_Address DH004180 2440 <hex> N DH105180 4 <hex> TC Control Flags : GBM IL DSE --Y -- --- Subsch. ID : 10 Det. descr. : Dump Memory Using Absolute Addresses	DC602180	TC	
2.11		M1553 Module			
		M1553 Status Register [M5Stat]:			

Dump of CDMU and ACC registers (for AIT)
 File: H_FCP_OBS_LPRA.xls
 Author: lstefanov-hp



Step No.	Time	Activity/Remarks	TC/TLM	Display/ Branch	AIT Comment
	ET=+ UT=+00.00.04	Execute Telecommand DumpMem_AbsAddr Command Parameter(s) : Memory_ID DH003180 Start_Address DH004180 N DH105180 TC Control Flags : GBM IL DSE --Y -- --- Subsch. ID : 10 Det. descr. : Dump Memory Using Absolute Addresses	DC602180	TC	
3		Dump contents of ACC CPU System Registers		Next Step: 4	
		25 TCs for ACC CPU System Registers dump			
3.1		System Control Register			
		System Control Register [SYSCTR]:			
	ET=+ UT=+00.00.10	Execute Telecommand Dump Memory Command Parameter(s) : Memory ID AH6M0109 Start Address AH6M1109 Length SAU AH6M3109 TC Control Flags : GBM IL DSE --Y -- --- Subsch. ID : 20 Det. descr. : TC(6,5) Dump Memory Using Absolute Addresses	AC063109	TC	
3.2		Memory Configuration Register			
		Memory Configuration Register [MCNFR]:			
	ET=+ UT=+00.00.04	Execute Telecommand Dump Memory Command Parameter(s) : Memory ID AH6M0109 Start Address AH6M1109 Length SAU AH6M3109 TC Control Flags : GBM IL DSE --Y -- --- Subsch. ID : 20 Det. descr. : TC(6,5) Dump Memory Using Absolute Addresses	AC063109	TC	
3.3		I/O Configuration Register			

Dump of CDMU and ACC registers (for AIT)
 File: H_FCP_OBS_LPRA.xls
 Author: lstefanov-hp



Step No.	Time	Activity/Remarks	TC/TLM	Display/ Branch	AIT Comment
		I/O Configuration Register [IOCNR]:			
	ET=+ UT=+00.00.04	Execute Telecommand Dump Memory Command Parameter(s) : Memory ID AH6M0109 Start Address AH6M1109 Length SAU AH6M3109 TC Control Flags : GBM IL DSE --Y -- --- Subsch. ID : 20 Det. descr. : TC(6,5) Dump Memory Using Absolute Addresses	AC063109	TC	
3.4		Waitstate Configuration Register			
		Waitstate Configuration Register [WSCNFR]:			
	ET=+ UT=+00.00.04	Execute Telecommand Dump Memory Command Parameter(s) : Memory ID AH6M0109 Start Address AH6M1109 Length SAU AH6M3109 TC Control Flags : GBM IL DSE --Y -- --- Subsch. ID : 20 Det. descr. : TC(6,5) Dump Memory Using Absolute Addresses	AC063109	TC	
3.5		Access Protection Segment 1 Base Register			
		Access Protection Segment 1 Base Register [APS1BR]:			
	ET=+ UT=+00.00.04	Execute Telecommand Dump Memory Command Parameter(s) : Memory ID AH6M0109 Start Address AH6M1109 Length SAU AH6M3109 TC Control Flags : GBM IL DSE --Y -- --- Subsch. ID : 20 Det. descr. : TC(6,5) Dump Memory Using Absolute Addresses	AC063109	TC	
3.6		Access Protection Segment 1 End Register			
		Access Protection Segment 1 End Register [APS1ER]:			

Dump of CDMU and ACC registers (for AIT)
 File: H_FCP_OBS_LPRA.xls
 Author: lstefanov-hp



Step No.	Time	Activity/Remarks	TC/TLM	Display/ Branch	AIT Comment
	ET=+ UT=+00.00.04	Execute Telecommand Dump Memory Command Parameter(s) : Memory ID AH6M0109 Start Address AH6M1109 Length SAU AH6M3109 TC Control Flags : GBM IL DSE --Y -- --- Subsch. ID : 20 Det. descr. : TC(6,5) Dump Memory Using Absolute Addresses	AC063109	TC	
3.7		Access Protection Segment 2 Base Register			
		Access Protection Segment 2 Base Register [APS2BR]:			
	ET=+ UT=+00.00.04	Execute Telecommand Dump Memory Command Parameter(s) : Memory ID AH6M0109 Start Address AH6M1109 Length SAU AH6M3109 TC Control Flags : GBM IL DSE --Y -- --- Subsch. ID : 20 Det. descr. : TC(6,5) Dump Memory Using Absolute Addresses	AC063109	TC	
3.8		Access Protection Segment 2 End Register			
		Access Protection Segment 2 End Register [APS2ER]:			
	ET=+ UT=+00.00.04	Execute Telecommand Dump Memory Command Parameter(s) : Memory ID AH6M0109 Start Address AH6M1109 Length SAU AH6M3109 TC Control Flags : GBM IL DSE --Y -- --- Subsch. ID : 20 Det. descr. : TC(6,5) Dump Memory Using Absolute Addresses	AC063109	TC	
3.9		Interrupt Shape Register			
		Interrupt Shape Register [INTSHR]:			

Dump of CDMU and ACC registers (for AIT)
 File: H_FCP_OBS_LPRA.xls
 Author: lstefanov-hp



Step No.	Time	Activity/Remarks	TC/TLM	Display/ Branch	AIT Comment
	ET=+ UT=+00.00.04	Execute Telecommand Dump Memory Command Parameter(s) : Memory ID AH6M0109 Start Address AH6M1109 Length SAU AH6M3109 TC Control Flags : GBM IL DSE --Y -- --- Subsch. ID : 20 Det. descr. : TC(6,5) Dump Memory Using Absolute Addresses	AC063109	TC	
3.10		Interrupt Pending Register			
		Interrupt Pending Register [INTPDR]:			
	ET=+ UT=+00.00.04	Execute Telecommand Dump Memory Command Parameter(s) : Memory ID AH6M0109 Start Address AH6M1109 Length SAU AH6M3109 TC Control Flags : GBM IL DSE --Y -- --- Subsch. ID : 20 Det. descr. : TC(6,5) Dump Memory Using Absolute Addresses	AC063109	TC	
3.11		Interrupt Mask Register			
		Interrupt Mask Register [INTMKR]:			
	ET=+ UT=+00.00.04	Execute Telecommand Dump Memory Command Parameter(s) : Memory ID AH6M0109 Start Address AH6M1109 Length SAU AH6M3109 TC Control Flags : GBM IL DSE --Y -- --- Subsch. ID : 20 Det. descr. : TC(6,5) Dump Memory Using Absolute Addresses	AC063109	TC	
3.12		Interrupt Force Register			
		Interrupt Force Register [INTFCR]:			

Dump of CDMU and ACC registers (for AIT)
 File: H_FCP_OBS_LPRA.xls
 Author: lstefanov-hp



Step No.	Time	Activity/Remarks	TC/TLM	Display/ Branch	AIT Comment
	ET=+ UT=+00.00.04	Execute Telecommand Dump Memory Command Parameter(s) : Memory ID AH6M0109 Start Address AH6M1109 Length SAU AH6M3109 TC Control Flags : GBM IL DSE --Y -- --- Subsch. ID : 20 Det. descr. : TC(6,5) Dump Memory Using Absolute Addresses	AC063109	TC	
3.13		Watchdog Timer Register			
		Watchdog Timer Register [WDOGTR]:			
	ET=+ UT=+00.00.04	Execute Telecommand Dump Memory Command Parameter(s) : Memory ID AH6M0109 Start Address AH6M1109 Length SAU AH6M3109 TC Control Flags : GBM IL DSE --Y -- --- Subsch. ID : 20 Det. descr. : TC(6,5) Dump Memory Using Absolute Addresses	AC063109	TC	
3.14		Real Time Clock Timer Counter Register			
		Real Time Clock Timer Counter Register [RTCCR]:			
	ET=+ UT=+00.00.04	Execute Telecommand Dump Memory Command Parameter(s) : Memory ID AH6M0109 Start Address AH6M1109 Length SAU AH6M3109 TC Control Flags : GBM IL DSE --Y -- --- Subsch. ID : 20 Det. descr. : TC(6,5) Dump Memory Using Absolute Addresses	AC063109	TC	
3.15		Real Time Clock Timer Scaler Register			
		Real Time Clock Timer Scaler Register [RTCSR]:			

Dump of CDMU and ACC registers (for AIT)
 File: H_FCP_OBS_LPRA.xls
 Author: lstefanov-hp



Step No.	Time	Activity/Remarks	TC/TLM	Display/ Branch	AIT Comment
	ET=+ UT=+00.00.04	Execute Telecommand Dump Memory Command Parameter(s) : Memory ID AH6M0109 Start Address AH6M1109 Length SAU AH6M3109 TC Control Flags : GBM IL DSE --Y -- --- Subsch. ID : 20 Det. descr. : TC(6,5) Dump Memory Using Absolute Addresses	AC063109	TC	
3.16		General Purpose Timer Counter Register			
		General Purpose Timer Counter Register [GPTCR]:			
	ET=+ UT=+00.00.04	Execute Telecommand Dump Memory Command Parameter(s) : Memory ID AH6M0109 Start Address AH6M1109 Length SAU AH6M3109 TC Control Flags : GBM IL DSE --Y -- --- Subsch. ID : 20 Det. descr. : TC(6,5) Dump Memory Using Absolute Addresses	AC063109	TC	
3.17		General Purpose Timer Scaler Register			
		General Purpose Timer Scaler Register [GPTSr]:			
	ET=+ UT=+00.00.04	Execute Telecommand Dump Memory Command Parameter(s) : Memory ID AH6M0109 Start Address AH6M1109 Length SAU AH6M3109 TC Control Flags : GBM IL DSE --Y -- --- Subsch. ID : 20 Det. descr. : TC(6,5) Dump Memory Using Absolute Addresses	AC063109	TC	
3.18		Timers Control Register			
		Timers Control Register [TIMCTR]:			

Dump of CDMU and ACC registers (for AIT)
 File: H_FCP_OBS_LPRA.xls
 Author: lstefanov-hp




Step No.	Time	Activity/Remarks	TC/TLM	Display/ Branch	AIT Comment
	ET=+ UT=+00.00.04	Execute Telecommand Dump Memory Command Parameter(s) : Memory ID AH6M0109 Start Address AH6M1109 Length SAU AH6M3109 TC Control Flags : GBM IL DSE --Y -- --- Subsch. ID : 20 Det. descr. : TC(6,5) Dump Memory Using Absolute Addresses	AC063109	TC	
3.19		System Fault Status Register			
		System Fault Status Register [SYSFSR]:			
	ET=+ UT=+00.00.04	Execute Telecommand Dump Memory Command Parameter(s) : Memory ID AH6M0109 Start Address AH6M1109 Length SAU AH6M3109 TC Control Flags : GBM IL DSE --Y -- --- Subsch. ID : 20 Det. descr. : TC(6,5) Dump Memory Using Absolute Addresses	AC063109	TC	
3.20		Failing Address Register			
		Failing Address Register [FAILAR]:			
	ET=+ UT=+00.00.04	Execute Telecommand Dump Memory Command Parameter(s) : Memory ID AH6M0109 Start Address AH6M1109 Length SAU AH6M3109 TC Control Flags : GBM IL DSE --Y -- --- Subsch. ID : 20 Det. descr. : TC(6,5) Dump Memory Using Absolute Addresses	AC063109	TC	
3.21		General Purpose Interface Configuration Register			
		General Purpose Interface Configuration Register [GPICNFR]:			

Dump of CDMU and ACC registers (for AIT)
 File: H_FCP_OBS_LPRA.xls
 Author: lstefanov-hp



Step No.	Time	Activity/Remarks	TC/TLM	Display/ Branch	AIT Comment
	ET=+ UT=+00.00.04	Execute Telecommand Dump Memory Command Parameter(s) : Memory ID AH6M0109 Start Address AH6M1109 Length SAU AH6M3109 TC Control Flags : GBM IL DSE --Y -- --- Subsch. ID : 20 Det. descr. : TC(6,5) Dump Memory Using Absolute Addresses	AC063109	TC	
3.22		General Purpose Interface Data Register			
		General Purpose Interface Data Register [GPIDATR]:			
	ET=+ UT=+00.00.04	Execute Telecommand Dump Memory Command Parameter(s) : Memory ID AH6M0109 Start Address AH6M1109 Length SAU AH6M3109 TC Control Flags : GBM IL DSE --Y -- --- Subsch. ID : 20 Det. descr. : TC(6,5) Dump Memory Using Absolute Addresses	AC063109	TC	
3.23		Error & Reset Status Register			
		Error & Reset Status Register [ERRRSR]:			
	ET=+ UT=+00.00.04	Execute Telecommand Dump Memory Command Parameter(s) : Memory ID AH6M0109 Start Address AH6M1109 Length SAU AH6M3109 TC Control Flags : GBM IL DSE --Y -- --- Subsch. ID : 20 Det. descr. : TC(6,5) Dump Memory Using Absolute Addresses	AC063109	TC	
3.24		Test Control Register			
		Test Control Register [TESCTR]:			

Dump of CDMU and ACC registers (for AIT)
 File: H_FCP_OBS_LPRA.xls
 Author: lstefanov-hp



Step No.	Time	Activity/Remarks	TC/TLM	Display/ Branch	AIT Comment
	ET=+ UT=+00.00.04	Execute Telecommand Dump Memory Command Parameter(s) : Memory ID AH6M0109 Start Address AH6M1109 Length SAU AH6M3109 TC Control Flags : GBM IL DSE --Y -- --- Subsch. ID : 20 Det. descr. : TC(6,5) Dump Memory Using Absolute Addresses	AC063109	TC	
3.25		UART Status Register			
		UART Status Register [UARTSR]:			
	ET=+ UT=+00.00.04	Execute Telecommand Dump Memory Command Parameter(s) : Memory ID AH6M0109 Start Address AH6M1109 Length SAU AH6M3109 TC Control Flags : GBM IL DSE --Y -- --- Subsch. ID : 20 Det. descr. : TC(6,5) Dump Memory Using Absolute Addresses	AC063109	TC	
4		Dump contents of ACC PM COCOS Registers		Next Step: 5	
		40 TCs for ACC PM COCOS Registers dump			
4.1		Alarm Signal Generator (ASG) Module			
		ASG Alarm Mask Register [ASG_AMR]:			
	ET=+ UT=+00.00.10	Execute Telecommand Dump Memory Command Parameter(s) : Memory ID AH6M0109 Start Address AH6M1109 Length SAU AH6M3109 TC Control Flags : GBM IL DSE --Y -- --- Subsch. ID : 20 Det. descr. : TC(6,5) Dump Memory Using Absolute Addresses	AC063109	TC	
		ASG Interrupt Mask Register [ASG_IMR]:			

Dump of CDMU and ACC registers (for AIT)
 File: H_FCP_OBS_LPRA.xls
 Author: lstefanov-hp



Step No.	Time	Activity/Remarks	TC/TLM	Display/ Branch	AIT Comment
	ET=+ UT=+00.00.04	Execute Telecommand Dump Memory Command Parameter(s) : Memory ID AH6M0109 Start Address AH6M1109 Length SAU AH6M3109 TC Control Flags : GBM IL DSE --Y -- --- Subsch. ID : 20 Det. descr. : TC(6,5) Dump Memory Using Absolute Addresses	AC063109	TC	
4.2		CPU Interface (CpuIf) Module			
		CpuIf Configuration Register [CpuIf_CR]:			
	ET=+ UT=+00.00.04	Execute Telecommand Dump Memory Command Parameter(s) : Memory ID AH6M0109 Start Address AH6M1109 Length SAU AH6M3109 TC Control Flags : GBM IL DSE --Y -- --- Subsch. ID : 20 Det. descr. : TC(6,5) Dump Memory Using Absolute Addresses	AC063109	TC	
		CpuIf Map Register [CpuIf_MR0]:			
	ET=+ UT=+00.00.04	Execute Telecommand Dump Memory Command Parameter(s) : Memory ID AH6M0109 Start Address AH6M1109 Length SAU AH6M3109 TC Control Flags : GBM IL DSE --Y -- --- Subsch. ID : 20 Det. descr. : TC(6,5) Dump Memory Using Absolute Addresses	AC063109	TC	
		CpuIf Interrupt Configuration Register 0 [CpuIf_ICR0]:			
	ET=+ UT=+00.00.04	Execute Telecommand Dump Memory Command Parameter(s) : Memory ID AH6M0109 Start Address AH6M1109 Length SAU AH6M3109 TC Control Flags : GBM IL DSE --Y -- --- Subsch. ID : 20 Det. descr. : TC(6,5) Dump Memory Using Absolute Addresses	AC063109	TC	
		CpuIf Interrupt Configuration Register 1 [CpuIf_ICR1]:			

Dump of CDMU and ACC registers (for AIT)
 File: H_FCP_OBS_LPRA.xls
 Author: lstefanov-hp



Step No.	Time	Activity/Remarks	TC/TLM	Display/ Branch	AIT Comment
	ET=+ UT=+00.00.04	Execute Telecommand Dump Memory Command Parameter(s) : Memory ID AH6M0109 Start Address AH6M1109 Length SAU AH6M3109 TC Control Flags : GBM IL DSE --Y -- --- Subsch. ID : 20 Det. descr. : TC(6,5) Dump Memory Using Absolute Addresses	AC063109	TC	
		CpuIf Interrupt Configuration Register 2 [CpuIf_ICR2]:			
	ET=+ UT=+00.00.04	Execute Telecommand Dump Memory Command Parameter(s) : Memory ID AH6M0109 Start Address AH6M1109 Length SAU AH6M3109 TC Control Flags : GBM IL DSE --Y -- --- Subsch. ID : 20 Det. descr. : TC(6,5) Dump Memory Using Absolute Addresses	AC063109	TC	
		CpuIf Interrupt Configuration Register 3 [CpuIf_ICR3]:			
	ET=+ UT=+00.00.04	Execute Telecommand Dump Memory Command Parameter(s) : Memory ID AH6M0109 Start Address AH6M1109 Length SAU AH6M3109 TC Control Flags : GBM IL DSE --Y -- --- Subsch. ID : 20 Det. descr. : TC(6,5) Dump Memory Using Absolute Addresses	AC063109	TC	
		CpuIf Interrupt Configuration Register 4 [CpuIf_ICR4]:			
	ET=+ UT=+00.00.04	Execute Telecommand Dump Memory Command Parameter(s) : Memory ID AH6M0109 Start Address AH6M1109 Length SAU AH6M3109 TC Control Flags : GBM IL DSE --Y -- --- Subsch. ID : 20 Det. descr. : TC(6,5) Dump Memory Using Absolute Addresses	AC063109	TC	
4.3		Interrupt Controller (IC) Module			
		IC I/O Status Register [IC_IOSR]:			

Dump of CDMU and ACC registers (for AIT)
 File: H_FCP_OBS_LPRA.xls
 Author: lstefanov-hp



Step No.	Time	Activity/Remarks	TC/TLM	Display/ Branch	AIT Comment
	ET=+ UT=+00.00.04	Execute Telecommand Dump Memory Command Parameter(s) : Memory ID AH6M0109 Start Address AH6M1109 Length SAU AH6M3109 TC Control Flags : GBM IL DSE --Y -- --- Subsch. ID : 20 Det. descr. : TC(6,5) Dump Memory Using Absolute Addresses	AC063109	TC	
4.4		1553 Interface A (M1553A) Module			
		M1553 Configuration Register [M5A_Conf]:			
	ET=+ UT=+00.00.04	Execute Telecommand Dump Memory Command Parameter(s) : Memory ID AH6M0109 Start Address AH6M1109 Length SAU AH6M3109 TC Control Flags : GBM IL DSE --Y -- --- Subsch. ID : 20 Det. descr. : TC(6,5) Dump Memory Using Absolute Addresses	AC063109	TC	
		M1553 Status Register [M5A_Stat]:			
	ET=+ UT=+00.00.04	Execute Telecommand Dump Memory Command Parameter(s) : Memory ID AH6M0109 Start Address AH6M1109 Length SAU AH6M3109 TC Control Flags : GBM IL DSE --Y -- --- Subsch. ID : 20 Det. descr. : TC(6,5) Dump Memory Using Absolute Addresses	AC063109	TC	
4.5		1553 Interface B (M1553B) Module			
		M1553 Configuration Register [M5B_Conf]:			

Dump of CDMU and ACC registers (for AIT)
 File: H_FCP_OBS_LPRA.xls
 Author: lstefanov-hp



Step No.	Time	Activity/Remarks	TC/TLM	Display/ Branch	AIT Comment
	ET+= UT+=00.00.04	Execute Telecommand Dump Memory Command Parameter(s) : Memory ID AH6M0109 Start Address AH6M1109 Length SAU AH6M3109 TC Control Flags : GBM IL DSE --Y -- --- Subsch. ID : 20 Det. descr. : TC(6,5) Dump Memory Using Absolute Addresses	AC063109	TC	
		M1553 Status Register [M5B_Stat]:			
	ET+= UT+=00.00.04	Execute Telecommand Dump Memory Command Parameter(s) : Memory ID AH6M0109 Start Address AH6M1109 Length SAU AH6M3109 TC Control Flags : GBM IL DSE --Y -- --- Subsch. ID : 20 Det. descr. : TC(6,5) Dump Memory Using Absolute Addresses	AC063109	TC	
4.6		1553 Interface C (M1553C) Module			
		M1553 Configuration Register [M5C_Conf]:			
	ET+= UT+=00.00.04	Execute Telecommand Dump Memory Command Parameter(s) : Memory ID AH6M0109 Start Address AH6M1109 Length SAU AH6M3109 TC Control Flags : GBM IL DSE --Y -- --- Subsch. ID : 20 Det. descr. : TC(6,5) Dump Memory Using Absolute Addresses	AC063109	TC	
		M1553 Status Register [M5C_Stat]:			
	ET+= UT+=00.00.04	Execute Telecommand Dump Memory Command Parameter(s) : Memory ID AH6M0109 Start Address AH6M1109 Length SAU AH6M3109 TC Control Flags : GBM IL DSE --Y -- --- Subsch. ID : 20 Det. descr. : TC(6,5) Dump Memory Using Absolute Addresses	AC063109	TC	

Dump of CDMU and ACC registers (for AIT)
 File: H_FCP_OBS_LPRA.xls
 Author: lstefanov-hp



Step No.	Time	Activity/Remarks	TC/TLM	Display/ Branch	AIT Comment
4.7		On Board Data Handling (OBDH) Module			
		OBDH Configuration Register [OBDH_CR]:			
	ET=+ UT=+00.00.04	Execute Telecommand Dump Memory Command Parameter(s) : Memory ID AH6M0109 Start Address AH6M1109 Length SAU AH6M3109 TC Control Flags : GBM IL DSE --Y -- --- Subsch. ID : 20 Det. descr. : TC(6,5) Dump Memory Using Absolute Addresses	AC063109	TC	
		OBDH CT Configuration Register [OBDH_CTCR]:			
	ET=+ UT=+00.00.04	Execute Telecommand Dump Memory Command Parameter(s) : Memory ID AH6M0109 Start Address AH6M1109 Length SAU AH6M3109 TC Control Flags : GBM IL DSE --Y -- --- Subsch. ID : 20 Det. descr. : TC(6,5) Dump Memory Using Absolute Addresses	AC063109	TC	
4.8		On Board Time (OBT) Module			
		OBT Configuration Register [OBT_CONF]:			
	ET=+ UT=+00.00.04	Execute Telecommand Dump Memory Command Parameter(s) : Memory ID AH6M0109 Start Address AH6M1109 Length SAU AH6M3109 TC Control Flags : GBM IL DSE --Y -- --- Subsch. ID : 20 Det. descr. : TC(6,5) Dump Memory Using Absolute Addresses	AC063109	TC	
		OBT Control Register [OBT_CTRL]:			

Dump of CDMU and ACC registers (for AIT)
 File: H_FCP_OBS_LPRA.xls
 Author: lstefanov-hp



Step No.	Time	Activity/Remarks	TC/TLM	Display/ Branch	AIT Comment
	ET=+ UT=+00.00.04	Execute Telecommand Dump Memory Command Parameter(s) : Memory ID AH6M0109 Start Address AH6M1109 Length SAU AH6M3109 TC Control Flags : GBM IL DSE --Y -- --- Subsch. ID : 20 Det. descr. : TC(6,5) Dump Memory Using Absolute Addresses	AC063109	TC	
		OBT Pulse 1 Configuration Register [OBT_PUL1CONF]:			
	ET=+ UT=+00.00.04	Execute Telecommand Dump Memory Command Parameter(s) : Memory ID AH6M0109 Start Address AH6M1109 Length SAU AH6M3109 TC Control Flags : GBM IL DSE --Y -- --- Subsch. ID : 20 Det. descr. : TC(6,5) Dump Memory Using Absolute Addresses	AC063109	TC	
		OBT Pulse 1 Duration Register [OBT_PUL1DURFINE]:			
	ET=+ UT=+00.00.04	Execute Telecommand Dump Memory Command Parameter(s) : Memory ID AH6M0109 Start Address AH6M1109 Length SAU AH6M3109 TC Control Flags : GBM IL DSE --Y -- --- Subsch. ID : 20 Det. descr. : TC(6,5) Dump Memory Using Absolute Addresses	AC063109	TC	
		OBT Pulse 2 Configuration Register [OBT_PUL2CONF]:			
	ET=+ UT=+00.00.04	Execute Telecommand Dump Memory Command Parameter(s) : Memory ID AH6M0109 Start Address AH6M1109 Length SAU AH6M3109 TC Control Flags : GBM IL DSE --Y -- --- Subsch. ID : 20 Det. descr. : TC(6,5) Dump Memory Using Absolute Addresses	AC063109	TC	
		OBT Pulse 2 Duration Register [OBT_PUL2DURFINE]:			

Dump of CDMU and ACC registers (for AIT)
 File: H_FCP_OBS_LPRA.xls
 Author: lstefanov-hp



Step No.	Time	Activity/Remarks	TC/TLM	Display/ Branch	AIT Comment
	ET=+ UT=+00.00.04	Execute Telecommand Dump Memory Command Parameter(s) : Memory ID AH6M0109 Start Address AH6M1109 Length SAU AH6M3109 TC Control Flags : GBM IL DSE --Y -- --- Subsch. ID : 20 Det. descr. : TC(6,5) Dump Memory Using Absolute Addresses	AC063109	TC	
		OBT Pulse 3 Configuration Register [OBT_PUL3CONF]:			
	ET=+ UT=+00.00.04	Execute Telecommand Dump Memory Command Parameter(s) : Memory ID AH6M0109 Start Address AH6M1109 Length SAU AH6M3109 TC Control Flags : GBM IL DSE --Y -- --- Subsch. ID : 20 Det. descr. : TC(6,5) Dump Memory Using Absolute Addresses	AC063109	TC	
		OBT Pulse 3 Duration Register [OBT_PUL3DURFINE]:			
	ET=+ UT=+00.00.04	Execute Telecommand Dump Memory Command Parameter(s) : Memory ID AH6M0109 Start Address AH6M1109 Length SAU AH6M3109 TC Control Flags : GBM IL DSE --Y -- --- Subsch. ID : 20 Det. descr. : TC(6,5) Dump Memory Using Absolute Addresses	AC063109	TC	
		OBT Pulse 4 Configuration Register [OBT_PUL4CONF]:			
	ET=+ UT=+00.00.04	Execute Telecommand Dump Memory Command Parameter(s) : Memory ID AH6M0109 Start Address AH6M1109 Length SAU AH6M3109 TC Control Flags : GBM IL DSE --Y -- --- Subsch. ID : 20 Det. descr. : TC(6,5) Dump Memory Using Absolute Addresses	AC063109	TC	
		OBT Pulse 4 Duration Register [OBT_PUL4DURFINE]:			

Dump of CDMU and ACC registers (for AIT)
 File: H_FCP_OBS_LPRA.xls
 Author: lstefanov-hp



Step No.	Time	Activity/Remarks	TC/TLM	Display/ Branch	AIT Comment
	ET+=+ UT+=+00.00.04	Execute Telecommand Dump Memory Command Parameter(s) : Memory ID AH6M0109 Start Address AH6M1109 Length SAU AH6M3109 TC Control Flags : GBM IL DSE --Y -- --- Subsch. ID : 20 Det. descr. : TC(6,5) Dump Memory Using Absolute Addresses	AC063109	TC	
4.9		PI Bus Master (PIM) Module			
		PIM Enable Arm Register [PIM_EAR]:			
	ET+=+ UT+=+00.00.04	Execute Telecommand Dump Memory Command Parameter(s) : Memory ID AH6M0109 Start Address AH6M1109 Length SAU AH6M3109 TC Control Flags : GBM IL DSE --Y -- --- Subsch. ID : 20 Det. descr. : TC(6,5) Dump Memory Using Absolute Addresses	AC063109	TC	
		PIM Configuration Arm Register [PIM_CAR]:			
	ET+=+ UT+=+00.00.04	Execute Telecommand Dump Memory Command Parameter(s) : Memory ID AH6M0109 Start Address AH6M1109 Length SAU AH6M3109 TC Control Flags : GBM IL DSE --Y -- --- Subsch. ID : 20 Det. descr. : TC(6,5) Dump Memory Using Absolute Addresses	AC063109	TC	
		PIM Configuration Register [PIM_CR]:			
	ET+=+ UT+=+00.00.04	Execute Telecommand Dump Memory Command Parameter(s) : Memory ID AH6M0109 Start Address AH6M1109 Length SAU AH6M3109 TC Control Flags : GBM IL DSE --Y -- --- Subsch. ID : 20 Det. descr. : TC(6,5) Dump Memory Using Absolute Addresses	AC063109	TC	
		PIM Status Register [PIM_SR]:			

Dump of CDMU and ACC registers (for AIT)
 File: H_FCP_OBS_LPRA.xls
 Author: lstefanov-hp



Step No.	Time	Activity/Remarks	TC/TLM	Display/ Branch	AIT Comment
	ET=+ UT=+00.00.04	Execute Telecommand Dump Memory Command Parameter(s) : Memory ID AH6M0109 Start Address AH6M1109 Length SAU AH6M3109 TC Control Flags : GBM IL DSE --Y -- --- Subsch. ID : 20 Det. descr. : TC(6,5) Dump Memory Using Absolute Addresses	AC063109	TC	
4.10		SpaceWire A (SPW A) Module			
		SPW Configuration Register [SPWA_CR]:			
	ET=+ UT=+00.00.04	Execute Telecommand Dump Memory Command Parameter(s) : Memory ID AH6M0109 Start Address AH6M1109 Length SAU AH6M3109 TC Control Flags : GBM IL DSE --Y -- --- Subsch. ID : 20 Det. descr. : TC(6,5) Dump Memory Using Absolute Addresses	AC063109	TC	
		SPW SSEPPL Configuration Register [SPWA_SCR]:			
	ET=+ UT=+00.00.04	Execute Telecommand Dump Memory Command Parameter(s) : Memory ID AH6M0109 Start Address AH6M1109 Length SAU AH6M3109 TC Control Flags : GBM IL DSE --Y -- --- Subsch. ID : 20 Det. descr. : TC(6,5) Dump Memory Using Absolute Addresses	AC063109	TC	
		SPW Status Register [SPWA_SR]:			
	ET=+ UT=+00.00.04	Execute Telecommand Dump Memory Command Parameter(s) : Memory ID AH6M0109 Start Address AH6M1109 Length SAU AH6M3109 TC Control Flags : GBM IL DSE --Y -- --- Subsch. ID : 20 Det. descr. : TC(6,5) Dump Memory Using Absolute Addresses	AC063109	TC	
		SPW SSEPPL Status Register [SPWA_SSR]:			

Dump of CDMU and ACC registers (for AIT)
 File: H_FCP_OBS_LPRA.xls
 Author: lstefanov-hp



Step No.	Time	Activity/Remarks	TC/TLM	Display/ Branch	AIT Comment
	ET=+ UT=+00.00.04	Execute Telecommand Dump Memory Command Parameter(s) : Memory ID AH6M0109 Start Address AH6M1109 Length SAU AH6M3109 TC Control Flags : GBM IL DSE --Y -- --- Subsch. ID : 20 Det. descr. : TC(6,5) Dump Memory Using Absolute Addresses	AC063109	TC	
4.11		SpaceWire B (SPW B) Module			
		SPW Configuration Register [SPWB_CR]:			
	ET=+ UT=+00.00.04	Execute Telecommand Dump Memory Command Parameter(s) : Memory ID AH6M0109 Start Address AH6M1109 Length SAU AH6M3109 TC Control Flags : GBM IL DSE --Y -- --- Subsch. ID : 20 Det. descr. : TC(6,5) Dump Memory Using Absolute Addresses	AC063109	TC	
		SPW SSEPPL Configuration Register [SPWB_SCR]:			
	ET=+ UT=+00.00.04	Execute Telecommand Dump Memory Command Parameter(s) : Memory ID AH6M0109 Start Address AH6M1109 Length SAU AH6M3109 TC Control Flags : GBM IL DSE --Y -- --- Subsch. ID : 20 Det. descr. : TC(6,5) Dump Memory Using Absolute Addresses	AC063109	TC	
		SPW Status Register [SPWB_SR]:			
	ET=+ UT=+00.00.04	Execute Telecommand Dump Memory Command Parameter(s) : Memory ID AH6M0109 Start Address AH6M1109 Length SAU AH6M3109 TC Control Flags : GBM IL DSE --Y -- --- Subsch. ID : 20 Det. descr. : TC(6,5) Dump Memory Using Absolute Addresses	AC063109	TC	
		SPW SSEPPL Status Register [SPWB_SSR]:			

Dump of CDMU and ACC registers (for AIT)
 File: H_FCP_OBS_LPRA.xls
 Author: lstefanov-hp



Step No.	Time	Activity/Remarks	TC/TLM	Display/ Branch	AIT Comment
	ET+= UT+=00.00.04	Execute Telecommand Dump Memory Command Parameter(s) : Memory ID AH6M0109 Start Address AH6M1109 Length SAU AH6M3109 TC Control Flags : GBM IL DSE --Y -- --- Subsch. ID : 20 Det. descr. : TC(6,5) Dump Memory Using Absolute Addresses	AC063109	TC	
5		Dump contents of ACC CROME A Internal Registers		Next Step: 6	
		47 TCs for ACC CROME A Internal Registers dump			
5.1		Clock and Reset Block Module			
		CAR Power On Reset Register [CAR_PwrOnRst]:			
	ET+= UT+=00.00.10	Execute Telecommand Dump Memory Command Parameter(s) : Memory ID AH6M0109 Start Address AH6M1109 Length SAU AH6M3109 TC Control Flags : GBM IL DSE --Y -- --- Subsch. ID : 20 Det. descr. : TC(6,5) Dump Memory Using Absolute Addresses	AC063109	TC	
5.2		Memory Interface and Internal Bus Master Module			
		PIM Write Disable Status Register [PIM_WrDis]:			
	ET+= UT+=00.00.04	Execute Telecommand Dump Memory Command Parameter(s) : Memory ID AH6M0109 Start Address AH6M1109 Length SAU AH6M3109 TC Control Flags : GBM IL DSE --Y -- --- Subsch. ID : 20 Det. descr. : TC(6,5) Dump Memory Using Absolute Addresses	AC063109	TC	
		PIM Scrubber Configuration Register [PIM_ScuCNFR]:			

Dump of CDMU and ACC registers (for AIT)
 File: H_FCP_OBS_LPRA.xls
 Author: lstefanov-hp



Step No.	Time	Activity/Remarks	TC/TLM	Display/ Branch	AIT Comment
	ET=+ UT=+00.00.04	Execute Telecommand Dump Memory Command Parameter(s) : Memory ID AH6M0109 Start Address AH6M1109 Length SAU AH6M3109 TC Control Flags : GBM IL DSE --Y -- --- Subsch. ID : 20 Det. descr. : TC(6,5) Dump Memory Using Absolute Addresses	AC063109	TC	
		PIM Scrubber Start Address [PIM_ScuSAR]:			
	ET=+ UT=+00.00.04	Execute Telecommand Dump Memory Command Parameter(s) : Memory ID AH6M0109 Start Address AH6M1109 Length SAU AH6M3109 TC Control Flags : GBM IL DSE --Y -- --- Subsch. ID : 20 Det. descr. : TC(6,5) Dump Memory Using Absolute Addresses	AC063109	TC	
		PIM Scrubber End Address [PIM_ScuEAR]:			
	ET=+ UT=+00.00.04	Execute Telecommand Dump Memory Command Parameter(s) : Memory ID AH6M0109 Start Address AH6M1109 Length SAU AH6M3109 TC Control Flags : GBM IL DSE --Y -- --- Subsch. ID : 20 Det. descr. : TC(6,5) Dump Memory Using Absolute Addresses	AC063109	TC	
		PIM Status Register [PIM_SR]:			
	ET=+ UT=+00.00.04	Execute Telecommand Dump Memory Command Parameter(s) : Memory ID AH6M0109 Start Address AH6M1109 Length SAU AH6M3109 TC Control Flags : GBM IL DSE --Y -- --- Subsch. ID : 20 Det. descr. : TC(6,5) Dump Memory Using Absolute Addresses	AC063109	TC	
5.3		CPDM Selector Module			
		CSEL Status Register [CS_STAT]:			

Dump of CDMU and ACC registers (for AIT)
 File: H_FCP_OBS_LPRA.xls
 Author: lstefanov-hp



Step No.	Time	Activity/Remarks	TC/TLM	Display/ Branch	AIT Comment
	ET=+ UT=+00.00.04	Execute Telecommand Dump Memory Command Parameter(s) : Memory ID AH6M0109 Start Address AH6M1109 Length SAU AH6M3109 TC Control Flags : GBM IL DSE --Y -- --- Subsch. ID : 20 Det. descr. : TC(6,5) Dump Memory Using Absolute Addresses	AC063109	TC	
5.4		Command Pulse Distribution Module			
		CPDM Status Report Register [CPDM_SRR]:			
	ET=+ UT=+00.00.04	Execute Telecommand Dump Memory Command Parameter(s) : Memory ID AH6M0109 Start Address AH6M1109 Length SAU AH6M3109 TC Control Flags : GBM IL DSE --Y -- --- Subsch. ID : 20 Det. descr. : TC(6,5) Dump Memory Using Absolute Addresses	AC063109	TC	
		CPDM Status Register [CPDM_SR]:			
	ET=+ UT=+00.00.04	Execute Telecommand Dump Memory Command Parameter(s) : Memory ID AH6M0109 Start Address AH6M1109 Length SAU AH6M3109 TC Control Flags : GBM IL DSE --Y -- --- Subsch. ID : 20 Det. descr. : TC(6,5) Dump Memory Using Absolute Addresses	AC063109	TC	
5.5		Reconfiguration Module (RM) and RMHAB register area			
		RMH Status Register [RMH_STAT]:			

Dump of CDMU and ACC registers (for AIT)
 File: H_FCP_OBS_LPRA.xls
 Author: lstefanov-hp



Step No.	Time	Activity/Remarks	TC/TLM	Display/ Branch	AIT Comment
	ET=+ UT=+00.00.04	Execute Telecommand Dump Memory Command Parameter(s) : Memory ID AH6M0109 Start Address AH6M1109 Length SAU AH6M3109 TC Control Flags : GBM IL DSE --Y -- --- Subsch. ID : 20 Det. descr. : TC(6,5) Dump Memory Using Absolute Addresses	AC063109	TC	
		RMH Alarm Status Register [RMH_ASTAT]:			
	ET=+ UT=+00.00.04	Execute Telecommand Dump Memory Command Parameter(s) : Memory ID AH6M0109 Start Address AH6M1109 Length SAU AH6M3109 TC Control Flags : GBM IL DSE --Y -- --- Subsch. ID : 20 Det. descr. : TC(6,5) Dump Memory Using Absolute Addresses	AC063109	TC	
		RMH Monitor Status Register [RMH_MSTAT]:			
	ET=+ UT=+00.00.04	Execute Telecommand Dump Memory Command Parameter(s) : Memory ID AH6M0109 Start Address AH6M1109 Length SAU AH6M3109 TC Control Flags : GBM IL DSE --Y -- --- Subsch. ID : 20 Det. descr. : TC(6,5) Dump Memory Using Absolute Addresses	AC063109	TC	
		RMH Filtered Alarm Status Register [RMH_FSTAT]:			
	ET=+ UT=+00.00.04	Execute Telecommand Dump Memory Command Parameter(s) : Memory ID AH6M0109 Start Address AH6M1109 Length SAU AH6M3109 TC Control Flags : GBM IL DSE --Y -- --- Subsch. ID : 20 Det. descr. : TC(6,5) Dump Memory Using Absolute Addresses	AC063109	TC	
		RMH LOG Pointer Register [RMH_LOGPTR]:			

Dump of CDMU and ACC registers (for AIT)
 File: H_FCP_OBS_LPRA.xls
 Author: lstefanov-hp



Step No.	Time	Activity/Remarks	TC/TLM	Display/ Branch	AIT Comment
	ET+= UT+=00.00.04	Execute Telecommand Dump Memory Command Parameter(s) : Memory ID AH6M0109 Start Address AH6M1109 Length SAU AH6M3109 TC Control Flags : GBM IL DSE --Y -- --- Subsch. ID : 20 Det. descr. : TC(6,5) Dump Memory Using Absolute Addresses	AC063109	TC	
		RMH AT Pointer Register [RMH_ATPTR]:			
	ET+= UT+=00.00.04	Execute Telecommand Dump Memory Command Parameter(s) : Memory ID AH6M0109 Start Address AH6M1109 Length SAU AH6M3109 TC Control Flags : GBM IL DSE --Y -- --- Subsch. ID : 20 Det. descr. : TC(6,5) Dump Memory Using Absolute Addresses	AC063109	TC	
		RMH PAP Pointer Register [PAPPTR]:			
	ET+= UT+=00.00.04	Execute Telecommand Dump Memory Command Parameter(s) : Memory ID AH6M0109 Start Address AH6M1109 Length SAU AH6M3109 TC Control Flags : GBM IL DSE --Y -- --- Subsch. ID : 20 Det. descr. : TC(6,5) Dump Memory Using Absolute Addresses	AC063109	TC	
		RMH PKT Pointer Register [RMH_PKTPTR]:			
	ET+= UT+=00.00.04	Execute Telecommand Dump Memory Command Parameter(s) : Memory ID AH6M0109 Start Address AH6M1109 Length SAU AH6M3109 TC Control Flags : GBM IL DSE --Y -- --- Subsch. ID : 20 Det. descr. : TC(6,5) Dump Memory Using Absolute Addresses	AC063109	TC	
		RMH PLT Pointer Register [RMH_PLTPTR]:			

Dump of CDMU and ACC registers (for AIT)
 File: H_FCP_OBS_LPRA.xls
 Author: lstefanov-hp



Step No.	Time	Activity/Remarks	TC/TLM	Display/ Branch	AIT Comment
	ET=+ UT=+00.00.04	Execute Telecommand Dump Memory Command Parameter(s) : Memory ID AH6M0109 Start Address AH6M1109 Length SAU AH6M3109 TC Control Flags : GBM IL DSE --Y -- --- Subsch. ID : 20 Det. descr. : TC(6,5) Dump Memory Using Absolute Addresses	AC063109	TC	
		RMH Toggle Delay Register 0 [RMH_TGDLY0]:			
	ET=+ UT=+00.00.04	Execute Telecommand Dump Memory Command Parameter(s) : Memory ID AH6M0109 Start Address AH6M1109 Length SAU AH6M3109 TC Control Flags : GBM IL DSE --Y -- --- Subsch. ID : 20 Det. descr. : TC(6,5) Dump Memory Using Absolute Addresses	AC063109	TC	
		RMH Toggle Delay Register 1 [RMH_TGDLY1]:			
	ET=+ UT=+00.00.04	Execute Telecommand Dump Memory Command Parameter(s) : Memory ID AH6M0109 Start Address AH6M1109 Length SAU AH6M3109 TC Control Flags : GBM IL DSE --Y -- --- Subsch. ID : 20 Det. descr. : TC(6,5) Dump Memory Using Absolute Addresses	AC063109	TC	
		RMH Activation Delay Register [RMH_ADLY]:			
	ET=+ UT=+00.00.04	Execute Telecommand Dump Memory Command Parameter(s) : Memory ID AH6M0109 Start Address AH6M1109 Length SAU AH6M3109 TC Control Flags : GBM IL DSE --Y -- --- Subsch. ID : 20 Det. descr. : TC(6,5) Dump Memory Using Absolute Addresses	AC063109	TC	
		RMH Retry Delay Register [RMH_RDLY]:			

Dump of CDMU and ACC registers (for AIT)
 File: H_FCP_OBS_LPRA.xls
 Author: lstefanov-hp



Step No.	Time	Activity/Remarks	TC/TLM	Display/ Branch	AIT Comment
	ET+= UT+=00.00.04	Execute Telecommand Dump Memory Command Parameter(s) : Memory ID AH6M0109 Start Address AH6M1109 Length SAU AH6M3109 TC Control Flags : GBM IL DSE --Y -- --- Subsch. ID : 20 Det. descr. : TC(6,5) Dump Memory Using Absolute Addresses	AC063109	TC	
		RMH Toggle Delay Select Register [RMH_TGSEL]:			
	ET+= UT+=00.00.04	Execute Telecommand Dump Memory Command Parameter(s) : Memory ID AH6M0109 Start Address AH6M1109 Length SAU AH6M3109 TC Control Flags : GBM IL DSE --Y -- --- Subsch. ID : 20 Det. descr. : TC(6,5) Dump Memory Using Absolute Addresses	AC063109	TC	
		RMH Alarm Polarity Register [RMH_APOL]:			
	ET+= UT+=00.00.04	Execute Telecommand Dump Memory Command Parameter(s) : Memory ID AH6M0109 Start Address AH6M1109 Length SAU AH6M3109 TC Control Flags : GBM IL DSE --Y -- --- Subsch. ID : 20 Det. descr. : TC(6,5) Dump Memory Using Absolute Addresses	AC063109	TC	
		RMH Temporisation Mode Register [RMH_TMOD]:			
	ET+= UT+=00.00.04	Execute Telecommand Dump Memory Command Parameter(s) : Memory ID AH6M0109 Start Address AH6M1109 Length SAU AH6M3109 TC Control Flags : GBM IL DSE --Y -- --- Subsch. ID : 20 Det. descr. : TC(6,5) Dump Memory Using Absolute Addresses	AC063109	TC	
		RMH Vote Enable Register [RMH_VEN]:			

Dump of CDMU and ACC registers (for AIT)
 File: H_FCP_OBS_LPRA.xls
 Author: lstefanov-hp



Step No.	Time	Activity/Remarks	TC/TLM	Display/ Branch	AIT Comment
	ET=+ UT=+00.00.04	Execute Telecommand Dump Memory Command Parameter(s) : Memory ID AH6M0109 Start Address AH6M1109 Length SAU AH6M3109 TC Control Flags : GBM IL DSE --Y -- --- Subsch. ID : 20 Det. descr. : TC(6,5) Dump Memory Using Absolute Addresses	AC063109	TC	
		RMH Alarm Enable Set Register [RMH_AENSET]:			
	ET=+ UT=+00.00.04	Execute Telecommand Dump Memory Command Parameter(s) : Memory ID AH6M0109 Start Address AH6M1109 Length SAU AH6M3109 TC Control Flags : GBM IL DSE --Y -- --- Subsch. ID : 20 Det. descr. : TC(6,5) Dump Memory Using Absolute Addresses	AC063109	TC	
		RMH Temporisation Delay Register 0 [RMH_TDLY0]:			
	ET=+ UT=+00.00.04	Execute Telecommand Dump Memory Command Parameter(s) : Memory ID AH6M0109 Start Address AH6M1109 Length SAU AH6M3109 TC Control Flags : GBM IL DSE --Y -- --- Subsch. ID : 20 Det. descr. : TC(6,5) Dump Memory Using Absolute Addresses	AC063109	TC	
		RMH Temporisation Delay Register 1 [RMH_TDLY1]:			
	ET=+ UT=+00.00.04	Execute Telecommand Dump Memory Command Parameter(s) : Memory ID AH6M0109 Start Address AH6M1109 Length SAU AH6M3109 TC Control Flags : GBM IL DSE --Y -- --- Subsch. ID : 20 Det. descr. : TC(6,5) Dump Memory Using Absolute Addresses	AC063109	TC	
		RMH Temporisation Delay Register 2 [RMH_TDLY2]:			

Dump of CDMU and ACC registers (for AIT)
 File: H_FCP_OBS_LPRA.xls
 Author: lstefanov-hp



Step No.	Time	Activity/Remarks	TC/TLM	Display/ Branch	AIT Comment
	ET=+ UT=+00.00.04	Execute Telecommand Dump Memory Command Parameter(s) : Memory ID AH6M0109 Start Address AH6M1109 Length SAU AH6M3109 TC Control Flags : GBM IL DSE --Y -- --- Subsch. ID : 20 Det. descr. : TC(6,5) Dump Memory Using Absolute Addresses	AC063109	TC	
		RMH Temporisation Delay Register 3 [RMH_TDLY3]:			
	ET=+ UT=+00.00.04	Execute Telecommand Dump Memory Command Parameter(s) : Memory ID AH6M0109 Start Address AH6M1109 Length SAU AH6M3109 TC Control Flags : GBM IL DSE --Y -- --- Subsch. ID : 20 Det. descr. : TC(6,5) Dump Memory Using Absolute Addresses	AC063109	TC	
		RMH Temporisation Delay Register 4 [RMH_TDLY4]:			
	ET=+ UT=+00.00.04	Execute Telecommand Dump Memory Command Parameter(s) : Memory ID AH6M0109 Start Address AH6M1109 Length SAU AH6M3109 TC Control Flags : GBM IL DSE --Y -- --- Subsch. ID : 20 Det. descr. : TC(6,5) Dump Memory Using Absolute Addresses	AC063109	TC	
		RMH Temporisation Delay Register 5 [RMH_TDLY5]:			
	ET=+ UT=+00.00.04	Execute Telecommand Dump Memory Command Parameter(s) : Memory ID AH6M0109 Start Address AH6M1109 Length SAU AH6M3109 TC Control Flags : GBM IL DSE --Y -- --- Subsch. ID : 20 Det. descr. : TC(6,5) Dump Memory Using Absolute Addresses	AC063109	TC	
		RMH Temporisation Delay Register 6 [RMH_TDLY6]:			

Dump of CDMU and ACC registers (for AIT)
 File: H_FCP_OBS_LPRA.xls
 Author: lstefanov-hp



Step No.	Time	Activity/Remarks	TC/TLM	Display/ Branch	AIT Comment
	ET=+ UT=+00.00.04	Execute Telecommand Dump Memory Command Parameter(s) : Memory ID AH6M0109 Start Address AH6M1109 Length SAU AH6M3109 TC Control Flags : GBM IL DSE --Y -- --- Subsch. ID : 20 Det. descr. : TC(6,5) Dump Memory Using Absolute Addresses	AC063109	TC	
		RMH Temporisation Delay Register 7 [RMH_TDLY7]:			
	ET=+ UT=+00.00.04	Execute Telecommand Dump Memory Command Parameter(s) : Memory ID AH6M0109 Start Address AH6M1109 Length SAU AH6M3109 TC Control Flags : GBM IL DSE --Y -- --- Subsch. ID : 20 Det. descr. : TC(6,5) Dump Memory Using Absolute Addresses	AC063109	TC	
		RMH Temporisation Delay Register 8 [RMH_TDLY8]:			
	ET=+ UT=+00.00.04	Execute Telecommand Dump Memory Command Parameter(s) : Memory ID AH6M0109 Start Address AH6M1109 Length SAU AH6M3109 TC Control Flags : GBM IL DSE --Y -- --- Subsch. ID : 20 Det. descr. : TC(6,5) Dump Memory Using Absolute Addresses	AC063109	TC	
		RMH Attempt Count Register 0 [RMH_ATCNT0]:			
	ET=+ UT=+00.00.04	Execute Telecommand Dump Memory Command Parameter(s) : Memory ID AH6M0109 Start Address AH6M1109 Length SAU AH6M3109 TC Control Flags : GBM IL DSE --Y -- --- Subsch. ID : 20 Det. descr. : TC(6,5) Dump Memory Using Absolute Addresses	AC063109	TC	
		RMH Attempt Count Register 1 [RMH_ATCNT1]:			

Dump of CDMU and ACC registers (for AIT)
 File: H_FCP_OBS_LPRA.xls
 Author: lstefanov-hp



Step No.	Time	Activity/Remarks	TC/TLM	Display/ Branch	AIT Comment
	ET=+ UT=+00.00.04	Execute Telecommand Dump Memory Command Parameter(s) : Memory ID AH6M0109 Start Address AH6M1109 Length SAU AH6M3109 TC Control Flags : GBM IL DSE --Y -- --- Subsch. ID : 20 Det. descr. : TC(6,5) Dump Memory Using Absolute Addresses	AC063109	TC	
		RMH Attempt Count Register 2 [RMH_ATCNT2]:			
	ET=+ UT=+00.00.04	Execute Telecommand Dump Memory Command Parameter(s) : Memory ID AH6M0109 Start Address AH6M1109 Length SAU AH6M3109 TC Control Flags : GBM IL DSE --Y -- --- Subsch. ID : 20 Det. descr. : TC(6,5) Dump Memory Using Absolute Addresses	AC063109	TC	
		RMH Attempt Count Register 3 [RMH_ATCNT3]:			
	ET=+ UT=+00.00.04	Execute Telecommand Dump Memory Command Parameter(s) : Memory ID AH6M0109 Start Address AH6M1109 Length SAU AH6M3109 TC Control Flags : GBM IL DSE --Y -- --- Subsch. ID : 20 Det. descr. : TC(6,5) Dump Memory Using Absolute Addresses	AC063109	TC	
		RMH Attempt Count Register 4 [RMH_ATCNT4]:			
	ET=+ UT=+00.00.04	Execute Telecommand Dump Memory Command Parameter(s) : Memory ID AH6M0109 Start Address AH6M1109 Length SAU AH6M3109 TC Control Flags : GBM IL DSE --Y -- --- Subsch. ID : 20 Det. descr. : TC(6,5) Dump Memory Using Absolute Addresses	AC063109	TC	
		RMH Attempt Count Register 5 [RMH_ATCNT5]:			

Dump of CDMU and ACC registers (for AIT)
 File: H_FCP_OBS_LPRA.xls
 Author: lstefanov-hp




Step No.	Time	Activity/Remarks	TC/TLM	Display/ Branch	AIT Comment
	ET=+ UT=+00.00.04	Execute Telecommand Dump Memory Command Parameter(s) : Memory ID AH6M0109 Start Address AH6M1109 Length SAU AH6M3109 TC Control Flags : GBM IL DSE --Y -- --- Subsch. ID : 20 Det. descr. : TC(6,5) Dump Memory Using Absolute Addresses	AC063109	TC	
		RMH Attempt Count Register 6 [RMH_ATCNT6]:			
	ET=+ UT=+00.00.04	Execute Telecommand Dump Memory Command Parameter(s) : Memory ID AH6M0109 Start Address AH6M1109 Length SAU AH6M3109 TC Control Flags : GBM IL DSE --Y -- --- Subsch. ID : 20 Det. descr. : TC(6,5) Dump Memory Using Absolute Addresses	AC063109	TC	
5.6		Parallel IO Module			
		PIO IO Status Register [PIO_IOSR]:			
	ET=+ UT=+00.00.04	Execute Telecommand Dump Memory Command Parameter(s) : Memory ID AH6M0109 Start Address AH6M1109 Length SAU AH6M3109 TC Control Flags : GBM IL DSE --Y -- --- Subsch. ID : 20 Det. descr. : TC(6,5) Dump Memory Using Absolute Addresses	AC063109	TC	
5.7		SpaceWire Module			
		SPW Link Status Register [SPW_SSR]:			

Dump of CDMU and ACC registers (for AIT)
 File: H_FCP_OBS_LPRA.xls
 Author: lstefanov-hp



Step No.	Time	Activity/Remarks	TC/TLM	Display/ Branch	AIT Comment
	ET=+ UT=+00.00.04	Execute Telecommand Dump Memory Command Parameter(s) : Memory ID AH6M0109 Start Address AH6M1109 Length SAU AH6M3109 TC Control Flags : GBM IL DSE --Y -- --- Subsch. ID : 20 Det. descr. : TC(6,5) Dump Memory Using Absolute Addresses	AC063109	TC	
5.8		On Board Time Module			
		OBT Control Register [OBT_CTRL]:			
	ET=+ UT=+00.00.04	Execute Telecommand Dump Memory Command Parameter(s) : Memory ID AH6M0109 Start Address AH6M1109 Length SAU AH6M3109 TC Control Flags : GBM IL DSE --Y -- --- Subsch. ID : 20 Det. descr. : TC(6,5) Dump Memory Using Absolute Addresses	AC063109	TC	
5.9		M1553 Module			
		M1553 Status Register [M5Stat]:			
	ET=+ UT=+00.00.04	Execute Telecommand Dump Memory Command Parameter(s) : Memory ID AH6M0109 Start Address AH6M1109 Length SAU AH6M3109 TC Control Flags : GBM IL DSE --Y -- --- Subsch. ID : 20 Det. descr. : TC(6,5) Dump Memory Using Absolute Addresses	AC063109	TC	
6		Dump contents of ACC CROME B Internal Registers		Next Step: END	
		47 TCs for ACC CROME B Internal Registers dump			

Dump of CDMU and ACC registers (for AIT)
 File: H_FCP_OBS_LPRA.xls
 Author: lstefanov-hp



Step No.	Time	Activity/Remarks	TC/TLM	Display/ Branch	AIT Comment
6.1		Clock and Reset Block Module			
		CAR Power On Reset Register [CAR_PwrOnRst]:			
	ET+= UT+=00.00.10	Execute Telecommand Dump Memory Command Parameter(s) : Memory ID AH6M0109 Start Address AH6M1109 Length SAU AH6M3109 TC Control Flags : GBM IL DSE --Y -- --- Subsch. ID : 20 Det. descr. : TC(6,5) Dump Memory Using Absolute Addresses	AC063109	TC	
6.2		Memory Interface and Internal Bus Master Module			
		PIM Write Disable Status Register [PIM_WrDis]:			
	ET+= UT+=00.00.04	Execute Telecommand Dump Memory Command Parameter(s) : Memory ID AH6M0109 Start Address AH6M1109 Length SAU AH6M3109 TC Control Flags : GBM IL DSE --Y -- --- Subsch. ID : 20 Det. descr. : TC(6,5) Dump Memory Using Absolute Addresses	AC063109	TC	
		PIM Scrubber Configuration Register [PIM_ScuCNFR]:			
	ET+= UT+=00.00.04	Execute Telecommand Dump Memory Command Parameter(s) : Memory ID AH6M0109 Start Address AH6M1109 Length SAU AH6M3109 TC Control Flags : GBM IL DSE --Y -- --- Subsch. ID : 20 Det. descr. : TC(6,5) Dump Memory Using Absolute Addresses	AC063109	TC	
		PIM Scrubber Start Address [PIM_ScuSAR]:			

Dump of CDMU and ACC registers (for AIT)
 File: H_FCP_OBS_LPRA.xls
 Author: lstefanov-hp



Step No.	Time	Activity/Remarks	TC/TLM	Display/ Branch	AIT Comment
	ET+= UT+=00.00.04	Execute Telecommand Dump Memory Command Parameter(s) : Memory ID AH6M0109 Start Address AH6M1109 Length SAU AH6M3109 TC Control Flags : GBM IL DSE --Y -- --- Subsch. ID : 20 Det. descr. : TC(6,5) Dump Memory Using Absolute Addresses	AC063109	TC	
		PIM Scrubber End Address [PIM_ScuEAR]:			
	ET+= UT+=00.00.04	Execute Telecommand Dump Memory Command Parameter(s) : Memory ID AH6M0109 Start Address AH6M1109 Length SAU AH6M3109 TC Control Flags : GBM IL DSE --Y -- --- Subsch. ID : 20 Det. descr. : TC(6,5) Dump Memory Using Absolute Addresses	AC063109	TC	
		PIM Status Register [PIM_SR]:			
	ET+= UT+=00.00.04	Execute Telecommand Dump Memory Command Parameter(s) : Memory ID AH6M0109 Start Address AH6M1109 Length SAU AH6M3109 TC Control Flags : GBM IL DSE --Y -- --- Subsch. ID : 20 Det. descr. : TC(6,5) Dump Memory Using Absolute Addresses	AC063109	TC	
6.3		CPDM Selector Module			
		CSEL Status Register [CS_STAT]:			
	ET+= UT+=00.00.04	Execute Telecommand Dump Memory Command Parameter(s) : Memory ID AH6M0109 Start Address AH6M1109 Length SAU AH6M3109 TC Control Flags : GBM IL DSE --Y -- --- Subsch. ID : 20 Det. descr. : TC(6,5) Dump Memory Using Absolute Addresses	AC063109	TC	

Dump of CDMU and ACC registers (for AIT)
 File: H_FCP_OBS_LPRA.xls
 Author: lstefanov-hp



Step No.	Time	Activity/Remarks	TC/TLM	Display/ Branch	AIT Comment
6.4		Command Pulse Distribution Module			
		CPDM Status Report Register [CPDM_SRR]:			
	ET=+ UT=+00.00.04	Execute Telecommand Dump Memory Command Parameter(s) : Memory ID AH6M0109 Start Address AH6M1109 Length SAU AH6M3109 TC Control Flags : GBM IL DSE --Y -- --- Subsch. ID : 20 Det. descr. : TC(6,5) Dump Memory Using Absolute Addresses	AC063109	TC	
		CPDM Status Register [CPDM_SR]:			
	ET=+ UT=+00.00.04	Execute Telecommand Dump Memory Command Parameter(s) : Memory ID AH6M0109 Start Address AH6M1109 Length SAU AH6M3109 TC Control Flags : GBM IL DSE --Y -- --- Subsch. ID : 20 Det. descr. : TC(6,5) Dump Memory Using Absolute Addresses	AC063109	TC	
6.5		Reconfiguration Module (RM) and RMHAB register area			
		RMH Status Register [RMH_STAT]:			
	ET=+ UT=+00.00.04	Execute Telecommand Dump Memory Command Parameter(s) : Memory ID AH6M0109 Start Address AH6M1109 Length SAU AH6M3109 TC Control Flags : GBM IL DSE --Y -- --- Subsch. ID : 20 Det. descr. : TC(6,5) Dump Memory Using Absolute Addresses	AC063109	TC	
		RMH Alarm Status Register [RMH_ASTAT]:			

Dump of CDMU and ACC registers (for AIT)
 File: H_FCP_OBS_LPRA.xls
 Author: lstefanov-hp



Step No.	Time	Activity/Remarks	TC/TLM	Display/ Branch	AIT Comment
	ET=+ UT=+00.00.04	Execute Telecommand Dump Memory Command Parameter(s) : Memory ID AH6M0109 Start Address AH6M1109 Length SAU AH6M3109 TC Control Flags : GBM IL DSE --Y -- --- Subsch. ID : 20 Det. descr. : TC(6,5) Dump Memory Using Absolute Addresses	AC063109	TC	
		RMH Monitor Status Register [RMH_MSTAT]:			
	ET=+ UT=+00.00.04	Execute Telecommand Dump Memory Command Parameter(s) : Memory ID AH6M0109 Start Address AH6M1109 Length SAU AH6M3109 TC Control Flags : GBM IL DSE --Y -- --- Subsch. ID : 20 Det. descr. : TC(6,5) Dump Memory Using Absolute Addresses	AC063109	TC	
		RMH Filtered Alarm Status Register [RMH_FSTAT]:			
	ET=+ UT=+00.00.04	Execute Telecommand Dump Memory Command Parameter(s) : Memory ID AH6M0109 Start Address AH6M1109 Length SAU AH6M3109 TC Control Flags : GBM IL DSE --Y -- --- Subsch. ID : 20 Det. descr. : TC(6,5) Dump Memory Using Absolute Addresses	AC063109	TC	
		RMH LOG Pointer Register [RMH_LOGPTR]:			
	ET=+ UT=+00.00.04	Execute Telecommand Dump Memory Command Parameter(s) : Memory ID AH6M0109 Start Address AH6M1109 Length SAU AH6M3109 TC Control Flags : GBM IL DSE --Y -- --- Subsch. ID : 20 Det. descr. : TC(6,5) Dump Memory Using Absolute Addresses	AC063109	TC	
		RMH AT Pointer Register [RMH_ATPTR]:			

Dump of CDMU and ACC registers (for AIT)
 File: H_FCP_OBS_LPRA.xls
 Author: lstefanov-hp



Step No.	Time	Activity/Remarks	TC/TLM	Display/ Branch	AIT Comment
	ET=+ UT=+00.00.04	Execute Telecommand Dump Memory Command Parameter(s) : Memory ID AH6M0109 Start Address AH6M1109 Length SAU AH6M3109 TC Control Flags : GBM IL DSE --Y -- --- Subsch. ID : 20 Det. descr. : TC(6,5) Dump Memory Using Absolute Addresses	AC063109	TC	
		RMH PAP Pointer Register [PAPPTR]:			
	ET=+ UT=+00.00.04	Execute Telecommand Dump Memory Command Parameter(s) : Memory ID AH6M0109 Start Address AH6M1109 Length SAU AH6M3109 TC Control Flags : GBM IL DSE --Y -- --- Subsch. ID : 20 Det. descr. : TC(6,5) Dump Memory Using Absolute Addresses	AC063109	TC	
		RMH PKT Pointer Register [RMH_PKT PTR]:			
	ET=+ UT=+00.00.04	Execute Telecommand Dump Memory Command Parameter(s) : Memory ID AH6M0109 Start Address AH6M1109 Length SAU AH6M3109 TC Control Flags : GBM IL DSE --Y -- --- Subsch. ID : 20 Det. descr. : TC(6,5) Dump Memory Using Absolute Addresses	AC063109	TC	
		RMH PLT Pointer Register [RMH_PLT PTR]:			
	ET=+ UT=+00.00.04	Execute Telecommand Dump Memory Command Parameter(s) : Memory ID AH6M0109 Start Address AH6M1109 Length SAU AH6M3109 TC Control Flags : GBM IL DSE --Y -- --- Subsch. ID : 20 Det. descr. : TC(6,5) Dump Memory Using Absolute Addresses	AC063109	TC	
		RMH Toggle Delay Register 0 [RMH_TGDLY0]:			

Dump of CDMU and ACC registers (for AIT)
 File: H_FCP_OBS_LPRA.xls
 Author: lstefanov-hp



Step No.	Time	Activity/Remarks	TC/TLM	Display/ Branch	AIT Comment
	ET=+ UT=+00.00.04	Execute Telecommand Dump Memory Command Parameter(s) : Memory ID AH6M0109 Start Address AH6M1109 Length SAU AH6M3109 TC Control Flags : GBM IL DSE --Y -- --- Subsch. ID : 20 Det. descr. : TC(6,5) Dump Memory Using Absolute Addresses	AC063109	TC	
		RMH Toggle Delay Register 1 [RMH_TGDLY1]:			
	ET=+ UT=+00.00.04	Execute Telecommand Dump Memory Command Parameter(s) : Memory ID AH6M0109 Start Address AH6M1109 Length SAU AH6M3109 TC Control Flags : GBM IL DSE --Y -- --- Subsch. ID : 20 Det. descr. : TC(6,5) Dump Memory Using Absolute Addresses	AC063109	TC	
		RMH Activation Delay Register [RMH_ADLY]:			
	ET=+ UT=+00.00.04	Execute Telecommand Dump Memory Command Parameter(s) : Memory ID AH6M0109 Start Address AH6M1109 Length SAU AH6M3109 TC Control Flags : GBM IL DSE --Y -- --- Subsch. ID : 20 Det. descr. : TC(6,5) Dump Memory Using Absolute Addresses	AC063109	TC	
		RMH Retry Delay Register [RMH_RDLY]:			
	ET=+ UT=+00.00.04	Execute Telecommand Dump Memory Command Parameter(s) : Memory ID AH6M0109 Start Address AH6M1109 Length SAU AH6M3109 TC Control Flags : GBM IL DSE --Y -- --- Subsch. ID : 20 Det. descr. : TC(6,5) Dump Memory Using Absolute Addresses	AC063109	TC	
		RMH Toggle Delay Select Register [RMH_TGSEL]:			

Dump of CDMU and ACC registers (for AIT)
 File: H_FCP_OBS_LPRA.xls
 Author: lstefanov-hp



Step No.	Time	Activity/Remarks	TC/TLM	Display/ Branch	AIT Comment
	ET=+ UT=+00.00.04	Execute Telecommand Dump Memory Command Parameter(s) : Memory ID AH6M0109 Start Address AH6M1109 Length SAU AH6M3109 TC Control Flags : GBM IL DSE --Y -- --- Subsch. ID : 20 Det. descr. : TC(6,5) Dump Memory Using Absolute Addresses	AC063109	TC	
		RMH Alarm Polarity Register [RMH_APOL]:			
	ET=+ UT=+00.00.04	Execute Telecommand Dump Memory Command Parameter(s) : Memory ID AH6M0109 Start Address AH6M1109 Length SAU AH6M3109 TC Control Flags : GBM IL DSE --Y -- --- Subsch. ID : 20 Det. descr. : TC(6,5) Dump Memory Using Absolute Addresses	AC063109	TC	
		RMH Temporisation Mode Register [RMH_TM0D]:			
	ET=+ UT=+00.00.04	Execute Telecommand Dump Memory Command Parameter(s) : Memory ID AH6M0109 Start Address AH6M1109 Length SAU AH6M3109 TC Control Flags : GBM IL DSE --Y -- --- Subsch. ID : 20 Det. descr. : TC(6,5) Dump Memory Using Absolute Addresses	AC063109	TC	
		RMH Vote Enable Register [RMH_VEN]:			
	ET=+ UT=+00.00.04	Execute Telecommand Dump Memory Command Parameter(s) : Memory ID AH6M0109 Start Address AH6M1109 Length SAU AH6M3109 TC Control Flags : GBM IL DSE --Y -- --- Subsch. ID : 20 Det. descr. : TC(6,5) Dump Memory Using Absolute Addresses	AC063109	TC	
		RMH Alarm Enable Set Register [RMH_AENSET]:			

Dump of CDMU and ACC registers (for AIT)
 File: H_FCP_OBS_LPRA.xls
 Author: lstefanov-hp



Step No.	Time	Activity/Remarks	TC/TLM	Display/ Branch	AIT Comment
	ET=+ UT=+00.00.04	Execute Telecommand Dump Memory Command Parameter(s) : Memory ID AH6M0109 Start Address AH6M1109 Length SAU AH6M3109 TC Control Flags : GBM IL DSE --Y -- --- Subsch. ID : 20 Det. descr. : TC(6,5) Dump Memory Using Absolute Addresses	AC063109	TC	
		RMH Temporisation Delay Register 0 [RMH_TDLY0]:			
	ET=+ UT=+00.00.04	Execute Telecommand Dump Memory Command Parameter(s) : Memory ID AH6M0109 Start Address AH6M1109 Length SAU AH6M3109 TC Control Flags : GBM IL DSE --Y -- --- Subsch. ID : 20 Det. descr. : TC(6,5) Dump Memory Using Absolute Addresses	AC063109	TC	
		RMH Temporisation Delay Register 1 [RMH_TDLY1]:			
	ET=+ UT=+00.00.04	Execute Telecommand Dump Memory Command Parameter(s) : Memory ID AH6M0109 Start Address AH6M1109 Length SAU AH6M3109 TC Control Flags : GBM IL DSE --Y -- --- Subsch. ID : 20 Det. descr. : TC(6,5) Dump Memory Using Absolute Addresses	AC063109	TC	
		RMH Temporisation Delay Register 2 [RMH_TDLY2]:			
	ET=+ UT=+00.00.04	Execute Telecommand Dump Memory Command Parameter(s) : Memory ID AH6M0109 Start Address AH6M1109 Length SAU AH6M3109 TC Control Flags : GBM IL DSE --Y -- --- Subsch. ID : 20 Det. descr. : TC(6,5) Dump Memory Using Absolute Addresses	AC063109	TC	
		RMH Temporisation Delay Register 3 [RMH_TDLY3]:			

Dump of CDMU and ACC registers (for AIT)
 File: H_FCP_OBS_LPRA.xls
 Author: lstefanov-hp



Step No.	Time	Activity/Remarks	TC/TLM	Display/ Branch	AIT Comment
	ET=+ UT=+00.00.04	Execute Telecommand Dump Memory Command Parameter(s) : Memory ID AH6M0109 Start Address AH6M1109 Length SAU AH6M3109 TC Control Flags : GBM IL DSE --Y -- --- Subsch. ID : 20 Det. descr. : TC(6,5) Dump Memory Using Absolute Addresses	AC063109	TC	
		RMH Temporisation Delay Register 4 [RMH_TDL4]:			
	ET=+ UT=+00.00.04	Execute Telecommand Dump Memory Command Parameter(s) : Memory ID AH6M0109 Start Address AH6M1109 Length SAU AH6M3109 TC Control Flags : GBM IL DSE --Y -- --- Subsch. ID : 20 Det. descr. : TC(6,5) Dump Memory Using Absolute Addresses	AC063109	TC	
		RMH Temporisation Delay Register 5 [RMH_TDL5]:			
	ET=+ UT=+00.00.04	Execute Telecommand Dump Memory Command Parameter(s) : Memory ID AH6M0109 Start Address AH6M1109 Length SAU AH6M3109 TC Control Flags : GBM IL DSE --Y -- --- Subsch. ID : 20 Det. descr. : TC(6,5) Dump Memory Using Absolute Addresses	AC063109	TC	
		RMH Temporisation Delay Register 6 [RMH_TDL6]:			
	ET=+ UT=+00.00.04	Execute Telecommand Dump Memory Command Parameter(s) : Memory ID AH6M0109 Start Address AH6M1109 Length SAU AH6M3109 TC Control Flags : GBM IL DSE --Y -- --- Subsch. ID : 20 Det. descr. : TC(6,5) Dump Memory Using Absolute Addresses	AC063109	TC	
		RMH Temporisation Delay Register 7 [RMH_TDL7]:			

Dump of CDMU and ACC registers (for AIT)
 File: H_FCP_OBS_LPRA.xls
 Author: lstefanov-hp



Step No.	Time	Activity/Remarks	TC/TLM	Display/ Branch	AIT Comment
	ET=+ UT=+00.00.04	Execute Telecommand Dump Memory Command Parameter(s) : Memory ID AH6M0109 Start Address AH6M1109 Length SAU AH6M3109 TC Control Flags : GBM IL DSE --Y -- --- Subsch. ID : 20 Det. descr. : TC(6,5) Dump Memory Using Absolute Addresses	AC063109	TC	
		RMH Temporisation Delay Register 8 [RMH_TDLY8]:			
	ET=+ UT=+00.00.04	Execute Telecommand Dump Memory Command Parameter(s) : Memory ID AH6M0109 Start Address AH6M1109 Length SAU AH6M3109 TC Control Flags : GBM IL DSE --Y -- --- Subsch. ID : 20 Det. descr. : TC(6,5) Dump Memory Using Absolute Addresses	AC063109	TC	
		RMH Attempt Count Register 0 [RMH_ATCNT0]:			
	ET=+ UT=+00.00.04	Execute Telecommand Dump Memory Command Parameter(s) : Memory ID AH6M0109 Start Address AH6M1109 Length SAU AH6M3109 TC Control Flags : GBM IL DSE --Y -- --- Subsch. ID : 20 Det. descr. : TC(6,5) Dump Memory Using Absolute Addresses	AC063109	TC	
		RMH Attempt Count Register 1 [RMH_ATCNT1]:			
	ET=+ UT=+00.00.04	Execute Telecommand Dump Memory Command Parameter(s) : Memory ID AH6M0109 Start Address AH6M1109 Length SAU AH6M3109 TC Control Flags : GBM IL DSE --Y -- --- Subsch. ID : 20 Det. descr. : TC(6,5) Dump Memory Using Absolute Addresses	AC063109	TC	
		RMH Attempt Count Register 2 [RMH_ATCNT2]:			

Dump of CDMU and ACC registers (for AIT)
 File: H_FCP_OBS_LPRA.xls
 Author: lstefanov-hp



Step No.	Time	Activity/Remarks	TC/TLM	Display/ Branch	AIT Comment
	ET=+ UT=+00.00.04	Execute Telecommand Dump Memory Command Parameter(s) : Memory ID AH6M0109 Start Address AH6M1109 Length SAU AH6M3109 TC Control Flags : GBM IL DSE --Y -- --- Subsch. ID : 20 Det. descr. : TC(6,5) Dump Memory Using Absolute Addresses	AC063109	TC	
		RMH Attempt Count Register 3 [RMH_ATCNT3]:			
	ET=+ UT=+00.00.04	Execute Telecommand Dump Memory Command Parameter(s) : Memory ID AH6M0109 Start Address AH6M1109 Length SAU AH6M3109 TC Control Flags : GBM IL DSE --Y -- --- Subsch. ID : 20 Det. descr. : TC(6,5) Dump Memory Using Absolute Addresses	AC063109	TC	
		RMH Attempt Count Register 4 [RMH_ATCNT4]:			
	ET=+ UT=+00.00.04	Execute Telecommand Dump Memory Command Parameter(s) : Memory ID AH6M0109 Start Address AH6M1109 Length SAU AH6M3109 TC Control Flags : GBM IL DSE --Y -- --- Subsch. ID : 20 Det. descr. : TC(6,5) Dump Memory Using Absolute Addresses	AC063109	TC	
		RMH Attempt Count Register 5 [RMH_ATCNT5]:			
	ET=+ UT=+00.00.04	Execute Telecommand Dump Memory Command Parameter(s) : Memory ID AH6M0109 Start Address AH6M1109 Length SAU AH6M3109 TC Control Flags : GBM IL DSE --Y -- --- Subsch. ID : 20 Det. descr. : TC(6,5) Dump Memory Using Absolute Addresses	AC063109	TC	
		RMH Attempt Count Register 6 [RMH_ATCNT6]:			

Dump of CDMU and ACC registers (for AIT)
 File: H_FCP_OBS_LPRA.xls
 Author: lstefanov-hp



Step No.	Time	Activity/Remarks	TC/TLM	Display/ Branch	AIT Comment
	ET+= UT+=00.00.04	Execute Telecommand Dump Memory Command Parameter(s) : Memory ID AH6M0109 Start Address AH6M1109 Length SAU AH6M3109 TC Control Flags : GBM IL DSE --Y -- --- Subsch. ID : 20 Det. descr. : TC(6,5) Dump Memory Using Absolute Addresses	AC063109	TC	
6.6		Parallel IO Module			
		PIO IO Status Register [PIO_IOSR]:			
	ET+= UT+=00.00.04	Execute Telecommand Dump Memory Command Parameter(s) : Memory ID AH6M0109 Start Address AH6M1109 Length SAU AH6M3109 TC Control Flags : GBM IL DSE --Y -- --- Subsch. ID : 20 Det. descr. : TC(6,5) Dump Memory Using Absolute Addresses	AC063109	TC	
6.7		SpaceWire Module			
		SPW Link Status Register [SPW_SSR]:			
	ET+= UT+=00.00.04	Execute Telecommand Dump Memory Command Parameter(s) : Memory ID AH6M0109 Start Address AH6M1109 Length SAU AH6M3109 TC Control Flags : GBM IL DSE --Y -- --- Subsch. ID : 20 Det. descr. : TC(6,5) Dump Memory Using Absolute Addresses	AC063109	TC	
6.8		On Board Time Module			
		OBT Control Register [OBT_CTRL]:			

Dump of CDMU and ACC registers (for AIT)
 File: H_FCP_OBS_LPRA.xls
 Author: lstefanov-hp




Step No.	Time	Activity/Remarks	TC/TLM	Display/ Branch	AIT Comment
	ET+= UT+=00.00.04	Execute Telecommand Dump Memory Command Parameter(s) : Memory ID AH6M0109 Start Address AH6M1109 Length SAU AH6M3109 TC Control Flags : GBM IL DSE --Y -- --- Subsch. ID : 20 Det. descr. : TC(6,5) Dump Memory Using Absolute Addresses	AC063109	TC	
6.9		M1553 Module			
		M1553 Status Register [M5Stat]:			
	ET+= UT+=00.00.04	Execute Telecommand Dump Memory Command Parameter(s) : Memory ID AH6M0109 Start Address AH6M1109 Length SAU AH6M3109 TC Control Flags : GBM IL DSE --Y -- --- Subsch. ID : 20 Det. descr. : TC(6,5) Dump Memory Using Absolute Addresses	AC063109	TC	
End of Sequence					
End of Procedure					