

Modify LOU heater setting
 File: H_FCP_HIF_HEAT.xls
 Author: R. Biggins



Procedure Summary

Objectives

The objective of this procedure is to modify the LO heater voltage.

Based on procedure:
 HifiManCmd_Set_HL_Heater (v2)

Summary of Constraints

Spacecraft Configuration

Start of Procedure

HIFI in Standby1 or Normal mode

End of Procedure

No change to HIFI mode

Reference File(s)

Input Command Sequences

Output Command Sequences

HFHHEAT

Referenced Displays

ANDs	GRDs	SLDs
ZAZ9C999		
HA021289		
ZAZ9E999		

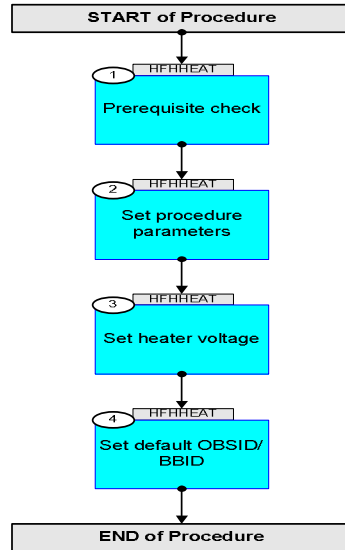
Configuration Control Information

DATE	FOP ISSUE	VERSION	MODIFICATION DESCRIPTION	AUTHOR	SPR REF
14/04/09	2.3	1	Created	R. Biggins	
19/05/09	2.5	2	Update to rename HL_HEATER formal parameter to HL_HEAT	R. Biggins	
26/11/09	3	3	Updates due to Prime unit failure resulting in new operation scheme - Step 1.2 added to check mode - Procedure cover updated	R. Biggins	

Modify LOU heater setting
File: H_FCP_HIF_HEAT.xls
Author: R. Biggins



Procedure Flowchart Overview



Modify LOU heater setting
 File: H_FCP_HIF_HEAT.xls
 Author: R. Biggins



Step No.	Time	Activity/Remarks	TC/TLM	Display/ Branch
	ET=+00.00.00 UT=+00.00.00	HIFI_HL_heater HIFI_HL_heater Command Parameter(s) : HIFI_BB_ID HP001197 HL_heater HP397194 TC Control Flags : GBM IL DSE --Y -- --- Subsch. ID : 70 Det. descr. : Send single command to control the LCU heater	HC086289 ELF0001 <hex> HL_HEAT	
		Verify Telemetry HL_Eheater HM791194	HL_HEAT	AND=HA021289
4		Set default OBSID/BBID		Next Step: END
	ET=+00.00.01 UT=+00.00.01	HIFI_Set_OBS_ID HIFI_Set_OBS_ID Command Parameter(s) : HIFI_BB_ID HP001197 HIFI_OBS_ID HP000197 TC Control Flags : GBM IL DSE --Y -- --- Subsch. ID : 70 Det. descr. : Set Observation-ID and Building-Block-ID	HC014289 0 <hex> (Def) 0 <hex> (Def)	
		Verify Telemetry BB_ID_per_hk HM004190	= 0 <hex>	AND=ZAZ9C999
		Verify Telemetry OBS_ID_per_hk HM003190	= 0 <hex>	AND=ZAZ9C999
End of Procedure				