

HifiManCmd\_upload\_LCU\_patches\_flight\_ops  
 File: H\_FCP\_HIF\_CUPM.xls  
 Author: R. Biggins



## Procedure Summary

### Objectives

The objective of this procedure is to patch a section of the LCU memory.

Based on procedure:  
 HifiManCmd\_upload\_LCU\_patches\_flight\_ops (v1)

### Summary of Constraints

### Spacecraft Configuration

**Start of Procedure**

HIFI is in Standby0 or Standby1 mode

**End of Procedure**

There is no change in HIFI mode

### Reference File(s)

**Input Command Sequences**

**Output Command Sequences**

HFHCUPMX  
 HFHCUPMY  
 HFHCUPMZ

### Referenced Displays

<b>ANDs</b>	<b>GRDs</b>	<b>SLDs</b>
ZAZ9C999		
ZAZ9D999		

### Configuration Control Information

DATE	FOP ISSUE	VERSION	MODIFICATION DESCRIPTION	AUTHOR	SPR REF
08/11/2007		1	Created	R. Biggins	
14/11/2007		2	Update due to discussions between D. Teyssier and R. Biggins - Set HK rate command removed	R. Biggins	
14/01/2008		3	Update due to initial testing against the simulator: - BBID/OBSID TM checks added - TCs updated due to new DB	R. Biggins	
28/02/2008		4	Update due to testing against MOC Simulator and comments by D. Teyssier: - Telecommand flags updated - HIFI_Load_LCU Telecommands added - Editorial updates	R. Biggins	
06/03/2008		5	Update due to comments from D. Teyssier: - HIFI_load_LCU telecommand order corrected	R. Biggins	

HifiManCmd\_upload\_LCU\_patches\_flight\_ops  
 File: H\_FCP\_HIF\_CUPM.xls  
 Author: R. Biggins

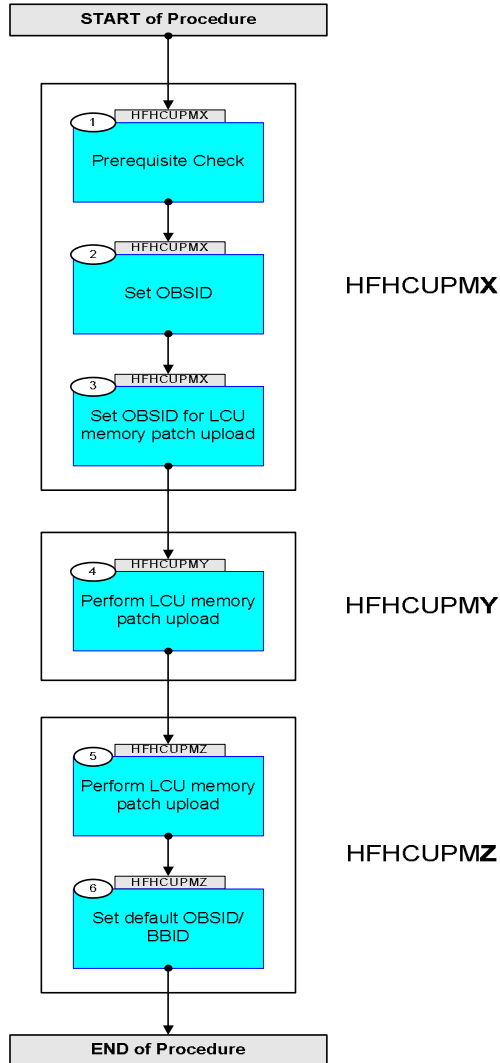


06/06/2008	1	6	Updates due to SVT-1 testing: <input type="checkbox"/> - Load LCU parameters changed to hex format - AND updated for all TM parameters - Flags updated	R. Biggins	
04/03/2009	2.1	7	Updates due to new inputs from D. Teyssier - New sequence added - Summary updated	R. Biggins	
26/05/2009		8	Update to ensure consistency with setting the Execution Time tags	R. Biggins	
30/05/2009	2.5	9	All ET times removed	R. Biggins	
10/12/2009		10	Update to expand the size of the patch	R. Biggins	
10/12/2009		11	Updates due to new inputs from HIFI: - New sequence added (CUMPZ) to increase size of allowed memory patch - Procedure cover updated	R. Biggins	
15/02/2010	3	11.01	Validation : Comment added between sequences CUPMY and CUPMZ	R. Biggins	
11/08/2011	3.1	12	First command of sequence HFHCUPMZ made manual release.	R. Biggins	

HifiManCmd\_upload\_LCU\_patches\_flight\_ops  
File: H\_FCP\_HIF\_CUPM.xls  
Author: R. Biggins



## Procedure Flowchart Overview



HifiManCmd\_upload\_LCU\_patches\_flight\_ops  
 File: H\_FCP\_HIF\_CUPM.xls  
 Author: R. Biggins



Step No.	Time	Activity/Remarks	TC/TLM	Display/ Branch
<b>Beginning of Procedure</b>				
<p><i>TC Seq. Name : HFHCUPMX (Upload LCU patch)</i></p> <p><i>TimeTag Type: N</i>  <i>Sub Schedule ID:</i></p> <p style="text-align: center;">□</p>				
1		Prerequisite Check		Next Step: 2
1.1		HSC/ICC input		□
		Verify that the HSC has supplied a valid OBSID value		
		OBS_ID = 0xnnnn nnnn		
		Verify that the following IPF files have been supplied and can be called from the Manual Stack (where vvvv is the latest version number):		
		HFHCUPMY_LCUPATCH_vvvv.IPF		
		HFHCUPMZ_LCUPATCH_vvvv.IPF		
1.2		Verify: HIFI mode		□
		Verify Telemetry		
		HL_MODE_S                      HM258194	= standby0 = standby1	AND=ZAZ9C999
1.3		Verify: Laser status		□
		Verify Telemetry		
		HWH_Laser1_S                      HM017193	= OFF	AND=ZAZ9D999
		Verify Telemetry		
		HWH_Laser2_S                      HM016193	= OFF	AND=ZAZ9D999
		Verify Telemetry		
		HWV_Laser1_S                      HM056193	= OFF	AND=ZAZ9D999
		Verify Telemetry		
		HWV_Laser2_S                      HM055193	= OFF	AND=ZAZ9D999
2		Set OBSID		Next Step: 3

HifiManCmd\_upload\_LCU\_patches\_flight\_ops  
 File: H\_FCP\_HIF\_CUPM.xls  
 Author: R. Biggins



Step No.	Time	Activity/Remarks	TC/TLM	Display/ Branch
	ET=+ UT=+00.00.00	HIFI_Set_OBS_ID  HIFI_Set_OBS_ID  Command Parameter(s) : HIFI_BB_ID           HP001197 HIFI_OBS_ID         HP000197  TC Control Flags : GBM IL DSE --Y -- ---  Subsch. ID : 70 Det. descr. : Set Observation-ID and Building-Block-ID	HC014289  1EF20001 <hex> OBS_ID	
		Verify Telemetry BB_ID_per_hk           HM004190	= 1EF20001 <hex>	AND=ZAZ9C999
		Verify Telemetry OBS_ID_per_hk         HM003190	OBS_ID	AND=ZAZ9C999
3		Set OBSID for LCU memory patch upload		Next Step: 4
	ET=+ UT=+00.00.01	HIFI_Set_OBS_ID  HIFI_Set_OBS_ID  Command Parameter(s) : HIFI_BB_ID           HP001197 HIFI_OBS_ID         HP000197  TC Control Flags : GBM IL DSE --Y -- ---  Subsch. ID : 70 Det. descr. : Set Observation-ID and Building-Block-ID	HC014289  1EDE0001 <hex> OBS_ID	
		Verify Telemetry BB_ID_per_hk           HM004190	= 1EDE0001 <hex>	AND=ZAZ9C999
		Verify Telemetry OBS_ID_per_hk         HM003190	OBS_ID	AND=ZAZ9C999
TC Seq. Name : HFHCUPMY (Upload LCU patch)  TimeTag Type: N Sub Schedule ID: <input type="checkbox"/>				
4		Perform LCU memory patch upload		Next Step: 5
		The SPACON should load the following TPF:  HFHCUPMY_LCUPATCH_vvvv.IPF		

HifiManCmd\_upload\_LCU\_patches\_flight\_ops  
 File: H\_FCP\_HIF\_CUPM.xls  
 Author: R. Biggins



Step No.	Time	Activity/Remarks	TC/TLM	Display/ Branch
	ET=+ UT=+00.00.01	HIFI_load_LCU  HIFI_load_LCU  Command Parameter(s) : HIF_LCU_memstart           HP069197 HIF_LCU_memlen            HP070197 HIF_LCU_memdata           HP071197 HIF_memload_crc           HP222197  Subsch. ID : 70 Det. descr. : Load LCU RAM memory	HC003289   1 1 <dec> (Def) 2 3	
	ET=+ UT=+00.00.02	HIFI_load_LCU  HIFI_load_LCU  Command Parameter(s) : HIF_LCU_memstart           HP069197 HIF_LCU_memlen            HP070197 HIF_LCU_memdata           HP071197 HIF_memload_crc           HP222197  Subsch. ID : 70 Det. descr. : Load LCU RAM memory	HC003289   4 1 <dec> (Def) 5 6	
	ET=+ UT=+00.00.02	HIFI_load_LCU  HIFI_load_LCU  Command Parameter(s) : HIF_LCU_memstart           HP069197 HIF_LCU_memlen            HP070197 HIF_LCU_memdata           HP071197 HIF_memload_crc           HP222197  Subsch. ID : 70 Det. descr. : Load LCU RAM memory	HC003289   7 1 <dec> (Def) 8 9	
	ET=+ UT=+00.00.02	HIFI_load_LCU  HIFI_load_LCU  Command Parameter(s) : HIF_LCU_memstart           HP069197 HIF_LCU_memlen            HP070197 HIF_LCU_memdata           HP071197 HIF_memload_crc           HP222197  Subsch. ID : 70 Det. descr. : Load LCU RAM memory	HC003289   10 1 <dec> (Def) 11 12	
	ET=+ UT=+00.00.02	HIFI_load_LCU  HIFI_load_LCU  Command Parameter(s) : HIF_LCU_memstart           HP069197 HIF_LCU_memlen            HP070197 HIF_LCU_memdata           HP071197 HIF_memload_crc           HP222197  Subsch. ID : 70 Det. descr. : Load LCU RAM memory	HC003289   13 1 <dec> (Def) 14 15	

HifiManCmd\_upload\_LCU\_patches\_flight\_ops  
 File: H\_FCP\_HIF\_CUPM.xls  
 Author: R. Biggins



Step No.	Time	Activity/Remarks	TC/TLM	Display/ Branch
	ET=+ UT=+00.00.02	HIFI_load_LCU  HIFI_load_LCU  Command Parameter(s) : HIF_LCU_memstart           HP069197 HIF_LCU_memlen            HP070197 HIF_LCU_memdata           HP071197 HIF_memload_crc           HP222197  Subsch. ID : 70 Det. descr. : Load LCU RAM memory	HC003289   16 1 <dec> (Def) 17 18	
	ET=+ UT=+00.00.02	HIFI_load_LCU  HIFI_load_LCU  Command Parameter(s) : HIF_LCU_memstart           HP069197 HIF_LCU_memlen            HP070197 HIF_LCU_memdata           HP071197 HIF_memload_crc           HP222197  Subsch. ID : 70 Det. descr. : Load LCU RAM memory	HC003289   19 1 <dec> (Def) 20 21	
	ET=+ UT=+00.00.02	HIFI_load_LCU  HIFI_load_LCU  Command Parameter(s) : HIF_LCU_memstart           HP069197 HIF_LCU_memlen            HP070197 HIF_LCU_memdata           HP071197 HIF_memload_crc           HP222197  Subsch. ID : 70 Det. descr. : Load LCU RAM memory	HC003289   22 1 <dec> (Def) 23 24	
	ET=+ UT=+00.00.02	HIFI_load_LCU  HIFI_load_LCU  Command Parameter(s) : HIF_LCU_memstart           HP069197 HIF_LCU_memlen            HP070197 HIF_LCU_memdata           HP071197 HIF_memload_crc           HP222197  Subsch. ID : 70 Det. descr. : Load LCU RAM memory	HC003289   25 1 <dec> (Def) 26 27	
	ET=+ UT=+00.00.02	HIFI_load_LCU  HIFI_load_LCU  Command Parameter(s) : HIF_LCU_memstart           HP069197 HIF_LCU_memlen            HP070197 HIF_LCU_memdata           HP071197 HIF_memload_crc           HP222197  Subsch. ID : 70 Det. descr. : Load LCU RAM memory	HC003289   28 1 <dec> (Def) 29 30	

HifiManCmd\_upload\_LCU\_patches\_flight\_ops  
 File: H\_FCP\_HIF\_CUPM.xls  
 Author: R. Biggins



Step No.	Time	Activity/Remarks	TC/TLM	Display/ Branch
	ET=+ UT=+00.00.02	HIFI_load_LCU  HIFI_load_LCU  Command Parameter(s) : HIF_LCU_memstart           HP069197 HIF_LCU_memlen            HP070197 HIF_LCU_memdata           HP071197 HIF_memload_crc           HP222197  Subsch. ID : 70 Det. descr. : Load LCU RAM memory	HC003289   31 1 <dec> (Def) 32 33	
	ET=+ UT=+00.00.02	HIFI_load_LCU  HIFI_load_LCU  Command Parameter(s) : HIF_LCU_memstart           HP069197 HIF_LCU_memlen            HP070197 HIF_LCU_memdata           HP071197 HIF_memload_crc           HP222197  Subsch. ID : 70 Det. descr. : Load LCU RAM memory	HC003289   34 1 <dec> (Def) 35 36	
	ET=+ UT=+00.00.02	HIFI_load_LCU  HIFI_load_LCU  Command Parameter(s) : HIF_LCU_memstart           HP069197 HIF_LCU_memlen            HP070197 HIF_LCU_memdata           HP071197 HIF_memload_crc           HP222197  Subsch. ID : 70 Det. descr. : Load LCU RAM memory	HC003289   37 1 <dec> (Def) 38 39	
	ET=+ UT=+00.00.02	HIFI_load_LCU  HIFI_load_LCU  Command Parameter(s) : HIF_LCU_memstart           HP069197 HIF_LCU_memlen            HP070197 HIF_LCU_memdata           HP071197 HIF_memload_crc           HP222197  Subsch. ID : 70 Det. descr. : Load LCU RAM memory	HC003289   40 1 <dec> (Def) 41 42	
	ET=+ UT=+00.00.02	HIFI_load_LCU  HIFI_load_LCU  Command Parameter(s) : HIF_LCU_memstart           HP069197 HIF_LCU_memlen            HP070197 HIF_LCU_memdata           HP071197 HIF_memload_crc           HP222197  Subsch. ID : 70 Det. descr. : Load LCU RAM memory	HC003289   43 1 <dec> (Def) 44 45	



HifiManCmd\_upload\_LCU\_patches\_flight\_ops  
 File: H\_FCP\_HIF\_CUPM.xls  
 Author: R. Biggins



Step No.	Time	Activity/Remarks	TC/TLM	Display/ Branch
	ET=+ UT=+00.00.02	HIFI_load_LCU  HIFI_load_LCU  Command Parameter(s) : HIF_LCU_memstart           HP069197 HIF_LCU_memlen            HP070197 HIF_LCU_memdata           HP071197 HIF_memload_crc           HP222197  Subsch. ID : 70 Det. descr. : Load LCU RAM memory	HC003289   46 1 <dec> (Def) 47 48	
	ET=+ UT=+00.00.02	HIFI_load_LCU  HIFI_load_LCU  Command Parameter(s) : HIF_LCU_memstart           HP069197 HIF_LCU_memlen            HP070197 HIF_LCU_memdata           HP071197 HIF_memload_crc           HP222197  Subsch. ID : 70 Det. descr. : Load LCU RAM memory	HC003289   49 1 <dec> (Def) 50 51	
	ET=+ UT=+00.00.02	HIFI_load_LCU  HIFI_load_LCU  Command Parameter(s) : HIF_LCU_memstart           HP069197 HIF_LCU_memlen            HP070197 HIF_LCU_memdata           HP071197 HIF_memload_crc           HP222197  Subsch. ID : 70 Det. descr. : Load LCU RAM memory	HC003289   52 1 <dec> (Def) 53 54	
	ET=+ UT=+00.00.02	HIFI_load_LCU  HIFI_load_LCU  Command Parameter(s) : HIF_LCU_memstart           HP069197 HIF_LCU_memlen            HP070197 HIF_LCU_memdata           HP071197 HIF_memload_crc           HP222197  Subsch. ID : 70 Det. descr. : Load LCU RAM memory	HC003289   55 1 <dec> (Def) 56 57	
	ET=+ UT=+00.00.02	HIFI_load_LCU  HIFI_load_LCU  Command Parameter(s) : HIF_LCU_memstart           HP069197 HIF_LCU_memlen            HP070197 HIF_LCU_memdata           HP071197 HIF_memload_crc           HP222197  Subsch. ID : 70 Det. descr. : Load LCU RAM memory	HC003289   58 1 <dec> (Def) 59 60	

HifiManCmd\_upload\_LCU\_patches\_flight\_ops  
 File: H\_FCP\_HIF\_CUPM.xls  
 Author: R. Biggins



Step No.	Time	Activity/Remarks	TC/TLM	Display/ Branch
	ET=+ UT=+00.00.02	HIFI_load_LCU  HIFI_load_LCU  Command Parameter(s) : HIF_LCU_memstart           HP069197 HIF_LCU_memlen            HP070197 HIF_LCU_memdata           HP071197 HIF_memload_crc           HP222197  Subsch. ID : 70 Det. descr. : Load LCU RAM memory	HC003289   61 1 <dec> (Def) 62 63	
	ET=+ UT=+00.00.02	HIFI_load_LCU  HIFI_load_LCU  Command Parameter(s) : HIF_LCU_memstart           HP069197 HIF_LCU_memlen            HP070197 HIF_LCU_memdata           HP071197 HIF_memload_crc           HP222197  Subsch. ID : 70 Det. descr. : Load LCU RAM memory	HC003289   64 1 <dec> (Def) 65 66	
	ET=+ UT=+00.00.02	HIFI_load_LCU  HIFI_load_LCU  Command Parameter(s) : HIF_LCU_memstart           HP069197 HIF_LCU_memlen            HP070197 HIF_LCU_memdata           HP071197 HIF_memload_crc           HP222197  Subsch. ID : 70 Det. descr. : Load LCU RAM memory	HC003289   67 1 <dec> (Def) 68 69	
	ET=+ UT=+00.00.02	HIFI_load_LCU  HIFI_load_LCU  Command Parameter(s) : HIF_LCU_memstart           HP069197 HIF_LCU_memlen            HP070197 HIF_LCU_memdata           HP071197 HIF_memload_crc           HP222197  Subsch. ID : 70 Det. descr. : Load LCU RAM memory	HC003289   70 1 <dec> (Def) 71 72	
	ET=+ UT=+00.00.02	HIFI_load_LCU  HIFI_load_LCU  Command Parameter(s) : HIF_LCU_memstart           HP069197 HIF_LCU_memlen            HP070197 HIF_LCU_memdata           HP071197 HIF_memload_crc           HP222197  Subsch. ID : 70 Det. descr. : Load LCU RAM memory	HC003289   73 1 <dec> (Def) 74 75	

HifiManCmd\_upload\_LCU\_patches\_flight\_ops  
 File: H\_FCP\_HIF\_CUPM.xls  
 Author: R. Biggins



Step No.	Time	Activity/Remarks	TC/TLM	Display/ Branch
	ET=+ UT=+00.00.02	HIFI_load_LCU  HIFI_load_LCU  Command Parameter(s) : HIF_LCU_memstart           HP069197 HIF_LCU_memlen            HP070197 HIF_LCU_memdata           HP071197 HIF_memload_crc           HP222197  Subsch. ID : 70 Det. descr. : Load LCU RAM memory	HC003289   76 1 <dec> (Def) 77 78	
	ET=+ UT=+00.00.02	HIFI_load_LCU  HIFI_load_LCU  Command Parameter(s) : HIF_LCU_memstart           HP069197 HIF_LCU_memlen            HP070197 HIF_LCU_memdata           HP071197 HIF_memload_crc           HP222197  Subsch. ID : 70 Det. descr. : Load LCU RAM memory	HC003289   79 1 <dec> (Def) 80 81	
	ET=+ UT=+00.00.02	HIFI_load_LCU  HIFI_load_LCU  Command Parameter(s) : HIF_LCU_memstart           HP069197 HIF_LCU_memlen            HP070197 HIF_LCU_memdata           HP071197 HIF_memload_crc           HP222197  Subsch. ID : 70 Det. descr. : Load LCU RAM memory	HC003289   82 1 <dec> (Def) 83 84	
	ET=+ UT=+00.00.02	HIFI_load_LCU  HIFI_load_LCU  Command Parameter(s) : HIF_LCU_memstart           HP069197 HIF_LCU_memlen            HP070197 HIF_LCU_memdata           HP071197 HIF_memload_crc           HP222197  Subsch. ID : 70 Det. descr. : Load LCU RAM memory	HC003289   85 1 <dec> (Def) 86 87	
	ET=+ UT=+00.00.02	HIFI_load_LCU  HIFI_load_LCU  Command Parameter(s) : HIF_LCU_memstart           HP069197 HIF_LCU_memlen            HP070197 HIF_LCU_memdata           HP071197 HIF_memload_crc           HP222197  Subsch. ID : 70 Det. descr. : Load LCU RAM memory	HC003289   88 1 <dec> (Def) 89 90	

HifiManCmd\_upload\_LCU\_patches\_flight\_ops  
 File: H\_FCP\_HIF\_CUPM.xls  
 Author: R. Biggins



Step No.	Time	Activity/Remarks	TC/TLM	Display/ Branch
	ET=+ UT=+00.00.02	HIFI_load_LCU  HIFI_load_LCU  Command Parameter(s) : HIF_LCU_memstart           HP069197 HIF_LCU_memlen            HP070197 HIF_LCU_memdata           HP071197 HIF_memload_crc           HP222197  Subsch. ID : 70 Det. descr. : Load LCU RAM memory	HC003289   91 1 <dec> (Def) 92 93	
	ET=+ UT=+00.00.02	HIFI_load_LCU  HIFI_load_LCU  Command Parameter(s) : HIF_LCU_memstart           HP069197 HIF_LCU_memlen            HP070197 HIF_LCU_memdata           HP071197 HIF_memload_crc           HP222197  Subsch. ID : 70 Det. descr. : Load LCU RAM memory	HC003289   94 1 <dec> (Def) 95 96	
	ET=+ UT=+00.00.02	HIFI_load_LCU  HIFI_load_LCU  Command Parameter(s) : HIF_LCU_memstart           HP069197 HIF_LCU_memlen            HP070197 HIF_LCU_memdata           HP071197 HIF_memload_crc           HP222197  Subsch. ID : 70 Det. descr. : Load LCU RAM memory	HC003289   97 1 <dec> (Def) 98 99	
	ET=+ UT=+00.00.02	HIFI_load_LCU  HIFI_load_LCU  Command Parameter(s) : HIF_LCU_memstart           HP069197 HIF_LCU_memlen            HP070197 HIF_LCU_memdata           HP071197 HIF_memload_crc           HP222197  Subsch. ID : 70 Det. descr. : Load LCU RAM memory	HC003289   100 1 <dec> (Def) 101 102	
	ET=+ UT=+00.00.02	HIFI_load_LCU  HIFI_load_LCU  Command Parameter(s) : HIF_LCU_memstart           HP069197 HIF_LCU_memlen            HP070197 HIF_LCU_memdata           HP071197 HIF_memload_crc           HP222197  Subsch. ID : 70 Det. descr. : Load LCU RAM memory	HC003289   103 1 <dec> (Def) 104 105	

HifiManCmd\_upload\_LCU\_patches\_flight\_ops  
 File: H\_FCP\_HIF\_CUPM.xls  
 Author: R. Biggins



Step No.	Time	Activity/Remarks	TC/TLM	Display/ Branch
	ET=+ UT=+00.00.02	HIFI_load_LCU  HIFI_load_LCU  Command Parameter(s) : HIF_LCU_memstart           HP069197 HIF_LCU_memlen            HP070197 HIF_LCU_memdata           HP071197 HIF_memload_crc           HP222197  Subsch. ID : 70 Det. descr. : Load LCU RAM memory	HC003289   106 1 <dec> (Def) 107 108	
	ET=+ UT=+00.00.02	HIFI_load_LCU  HIFI_load_LCU  Command Parameter(s) : HIF_LCU_memstart           HP069197 HIF_LCU_memlen            HP070197 HIF_LCU_memdata           HP071197 HIF_memload_crc           HP222197  Subsch. ID : 70 Det. descr. : Load LCU RAM memory	HC003289   109 1 <dec> (Def) 110 111	
	ET=+ UT=+00.00.02	HIFI_load_LCU  HIFI_load_LCU  Command Parameter(s) : HIF_LCU_memstart           HP069197 HIF_LCU_memlen            HP070197 HIF_LCU_memdata           HP071197 HIF_memload_crc           HP222197  Subsch. ID : 70 Det. descr. : Load LCU RAM memory	HC003289   112 1 <dec> (Def) 113 114	
	ET=+ UT=+00.00.02	HIFI_load_LCU  HIFI_load_LCU  Command Parameter(s) : HIF_LCU_memstart           HP069197 HIF_LCU_memlen            HP070197 HIF_LCU_memdata           HP071197 HIF_memload_crc           HP222197  Subsch. ID : 70 Det. descr. : Load LCU RAM memory	HC003289   115 1 <dec> (Def) 116 117	
	ET=+ UT=+00.00.02	HIFI_load_LCU  HIFI_load_LCU  Command Parameter(s) : HIF_LCU_memstart           HP069197 HIF_LCU_memlen            HP070197 HIF_LCU_memdata           HP071197 HIF_memload_crc           HP222197  Subsch. ID : 70 Det. descr. : Load LCU RAM memory	HC003289   118 1 <dec> (Def) 119 120	

HifiManCmd\_upload\_LCU\_patches\_flight\_ops  
 File: H\_FCP\_HIF\_CUPM.xls  
 Author: R. Biggins



Step No.	Time	Activity/Remarks	TC/TLM	Display/ Branch
	ET=+ UT=+00.00.02	HIFI_load_LCU  HIFI_load_LCU  Command Parameter(s) : HIF_LCU_memstart           HP069197 HIF_LCU_memlen            HP070197 HIF_LCU_memdata           HP071197 HIF_memload_crc           HP222197  Subsch. ID : 70 Det. descr. : Load LCU RAM memory	HC003289   121 1 <dec> (Def) 122 123	
	ET=+ UT=+00.00.02	HIFI_load_LCU  HIFI_load_LCU  Command Parameter(s) : HIF_LCU_memstart           HP069197 HIF_LCU_memlen            HP070197 HIF_LCU_memdata           HP071197 HIF_memload_crc           HP222197  Subsch. ID : 70 Det. descr. : Load LCU RAM memory	HC003289   124 1 <dec> (Def) 125 126	
	ET=+ UT=+00.00.02	HIFI_load_LCU  HIFI_load_LCU  Command Parameter(s) : HIF_LCU_memstart           HP069197 HIF_LCU_memlen            HP070197 HIF_LCU_memdata           HP071197 HIF_memload_crc           HP222197  Subsch. ID : 70 Det. descr. : Load LCU RAM memory	HC003289   127 1 <dec> (Def) 128 129	
	ET=+ UT=+00.00.02	HIFI_load_LCU  HIFI_load_LCU  Command Parameter(s) : HIF_LCU_memstart           HP069197 HIF_LCU_memlen            HP070197 HIF_LCU_memdata           HP071197 HIF_memload_crc           HP222197  Subsch. ID : 70 Det. descr. : Load LCU RAM memory	HC003289   130 1 <dec> (Def) 131 132	
	ET=+ UT=+00.00.02	HIFI_load_LCU  HIFI_load_LCU  Command Parameter(s) : HIF_LCU_memstart           HP069197 HIF_LCU_memlen            HP070197 HIF_LCU_memdata           HP071197 HIF_memload_crc           HP222197  Subsch. ID : 70 Det. descr. : Load LCU RAM memory	HC003289   133 1 <dec> (Def) 134 135	

HifiManCmd\_upload\_LCU\_patches\_flight\_ops  
 File: H\_FCP\_HIF\_CUPM.xls  
 Author: R. Biggins



Step No.	Time	Activity/Remarks	TC/TLM	Display/ Branch
	ET=+ UT=+00.00.02	HIFI_load_LCU  HIFI_load_LCU  Command Parameter(s) : HIF_LCU_memstart           HP069197 HIF_LCU_memlen            HP070197 HIF_LCU_memdata           HP071197 HIF_memload_crc           HP222197  Subsch. ID : 70 Det. descr. : Load LCU RAM memory	HC003289   136 1 <dec> (Def) 137 138	
	ET=+ UT=+00.00.02	HIFI_load_LCU  HIFI_load_LCU  Command Parameter(s) : HIF_LCU_memstart           HP069197 HIF_LCU_memlen            HP070197 HIF_LCU_memdata           HP071197 HIF_memload_crc           HP222197  Subsch. ID : 70 Det. descr. : Load LCU RAM memory	HC003289   139 1 <dec> (Def) 140 141	
	ET=+ UT=+00.00.02	HIFI_load_LCU  HIFI_load_LCU  Command Parameter(s) : HIF_LCU_memstart           HP069197 HIF_LCU_memlen            HP070197 HIF_LCU_memdata           HP071197 HIF_memload_crc           HP222197  Subsch. ID : 70 Det. descr. : Load LCU RAM memory	HC003289   142 1 <dec> (Def) 143 144	
	ET=+ UT=+00.00.02	HIFI_load_LCU  HIFI_load_LCU  Command Parameter(s) : HIF_LCU_memstart           HP069197 HIF_LCU_memlen            HP070197 HIF_LCU_memdata           HP071197 HIF_memload_crc           HP222197  Subsch. ID : 70 Det. descr. : Load LCU RAM memory	HC003289   145 1 <dec> (Def) 146 147	
	ET=+ UT=+00.00.02	HIFI_load_LCU  HIFI_load_LCU  Command Parameter(s) : HIF_LCU_memstart           HP069197 HIF_LCU_memlen            HP070197 HIF_LCU_memdata           HP071197 HIF_memload_crc           HP222197  Subsch. ID : 70 Det. descr. : Load LCU RAM memory	HC003289   148 1 <dec> (Def) 149 150	

HifiManCmd\_upload\_LCU\_patches\_flight\_ops  
 File: H\_FCP\_HIF\_CUPM.xls  
 Author: R. Biggins



Step No.	Time	Activity/Remarks	TC/TLM	Display/ Branch
	ET=+ UT=+00.00.02	HIFI_load_LCU  HIFI_load_LCU  Command Parameter(s) : HIF_LCU_memstart           HP069197 HIF_LCU_memlen            HP070197 HIF_LCU_memdata           HP071197 HIF_memload_crc           HP222197  Subsch. ID : 70 Det. descr. : Load LCU RAM memory	HC003289    151 1 <dec> (Def) 152 153	
	ET=+ UT=+00.00.02	HIFI_load_LCU  HIFI_load_LCU  Command Parameter(s) : HIF_LCU_memstart           HP069197 HIF_LCU_memlen            HP070197 HIF_LCU_memdata           HP071197 HIF_memload_crc           HP222197  Subsch. ID : 70 Det. descr. : Load LCU RAM memory	HC003289    154 1 <dec> (Def) 155 156	
	ET=+ UT=+00.00.02	HIFI_load_LCU  HIFI_load_LCU  Command Parameter(s) : HIF_LCU_memstart           HP069197 HIF_LCU_memlen            HP070197 HIF_LCU_memdata           HP071197 HIF_memload_crc           HP222197  Subsch. ID : 70 Det. descr. : Load LCU RAM memory	HC003289    157 1 <dec> (Def) 158 159	
	ET=+ UT=+00.00.02	HIFI_load_LCU  HIFI_load_LCU  Command Parameter(s) : HIF_LCU_memstart           HP069197 HIF_LCU_memlen            HP070197 HIF_LCU_memdata           HP071197 HIF_memload_crc           HP222197  Subsch. ID : 70 Det. descr. : Load LCU RAM memory	HC003289    160 1 <dec> (Def) 161 162	
	ET=+ UT=+00.00.02	HIFI_load_LCU  HIFI_load_LCU  Command Parameter(s) : HIF_LCU_memstart           HP069197 HIF_LCU_memlen            HP070197 HIF_LCU_memdata           HP071197 HIF_memload_crc           HP222197  Subsch. ID : 70 Det. descr. : Load LCU RAM memory	HC003289    163 1 <dec> (Def) 164 165	



HifiManCmd\_upload\_LCU\_patches\_flight\_ops  
 File: H\_FCP\_HIF\_CUPM.xls  
 Author: R. Biggins



Step No.	Time	Activity/Remarks	TC/TLM	Display/ Branch
	ET=+ UT=+00.00.02	HIFI_load_LCU  HIFI_load_LCU  Command Parameter(s) : HIF_LCU_memstart           HP069197 HIF_LCU_memlen            HP070197 HIF_LCU_memdata           HP071197 HIF_memload_crc           HP222197  Subsch. ID : 70 Det. descr. : Load LCU RAM memory	HC003289   166 1 <dec> (Def) 167 168	
	ET=+ UT=+00.00.02	HIFI_load_LCU  HIFI_load_LCU  Command Parameter(s) : HIF_LCU_memstart           HP069197 HIF_LCU_memlen            HP070197 HIF_LCU_memdata           HP071197 HIF_memload_crc           HP222197  Subsch. ID : 70 Det. descr. : Load LCU RAM memory	HC003289   169 1 <dec> (Def) 170 171	
	ET=+ UT=+00.00.02	HIFI_load_LCU  HIFI_load_LCU  Command Parameter(s) : HIF_LCU_memstart           HP069197 HIF_LCU_memlen            HP070197 HIF_LCU_memdata           HP071197 HIF_memload_crc           HP222197  Subsch. ID : 70 Det. descr. : Load LCU RAM memory	HC003289   172 1 <dec> (Def) 173 174	
	ET=+ UT=+00.00.02	HIFI_load_LCU  HIFI_load_LCU  Command Parameter(s) : HIF_LCU_memstart           HP069197 HIF_LCU_memlen            HP070197 HIF_LCU_memdata           HP071197 HIF_memload_crc           HP222197  Subsch. ID : 70 Det. descr. : Load LCU RAM memory	HC003289   175 1 <dec> (Def) 176 177	
	ET=+ UT=+00.00.02	HIFI_load_LCU  HIFI_load_LCU  Command Parameter(s) : HIF_LCU_memstart           HP069197 HIF_LCU_memlen            HP070197 HIF_LCU_memdata           HP071197 HIF_memload_crc           HP222197  Subsch. ID : 70 Det. descr. : Load LCU RAM memory	HC003289   178 1 <dec> (Def) 179 180	

HifiManCmd\_upload\_LCU\_patches\_flight\_ops  
 File: H\_FCP\_HIF\_CUPM.xls  
 Author: R. Biggins



Step No.	Time	Activity/Remarks	TC/TLM	Display/ Branch
	ET=+ UT=+00.00.02	HIFI_load_LCU  HIFI_load_LCU  Command Parameter(s) : HIF_LCU_memstart           HP069197 HIF_LCU_memlen            HP070197 HIF_LCU_memdata           HP071197 HIF_memload_crc           HP222197  Subsch. ID : 70 Det. descr. : Load LCU RAM memory	HC003289  181 1 <dec> (Def) 182 183	
	ET=+ UT=+00.00.02	HIFI_load_LCU  HIFI_load_LCU  Command Parameter(s) : HIF_LCU_memstart           HP069197 HIF_LCU_memlen            HP070197 HIF_LCU_memdata           HP071197 HIF_memload_crc           HP222197  Subsch. ID : 70 Det. descr. : Load LCU RAM memory	HC003289  184 1 <dec> (Def) 185 186	
	ET=+ UT=+00.00.02	HIFI_load_LCU  HIFI_load_LCU  Command Parameter(s) : HIF_LCU_memstart           HP069197 HIF_LCU_memlen            HP070197 HIF_LCU_memdata           HP071197 HIF_memload_crc           HP222197  Subsch. ID : 70 Det. descr. : Load LCU RAM memory	HC003289  187 1 <dec> (Def) 188 189	
	ET=+ UT=+00.00.02	HIFI_load_LCU  HIFI_load_LCU  Command Parameter(s) : HIF_LCU_memstart           HP069197 HIF_LCU_memlen            HP070197 HIF_LCU_memdata           HP071197 HIF_memload_crc           HP222197  Subsch. ID : 70 Det. descr. : Load LCU RAM memory	HC003289  190 1 <dec> (Def) 191 192	
	ET=+ UT=+00.00.02	HIFI_load_LCU  HIFI_load_LCU  Command Parameter(s) : HIF_LCU_memstart           HP069197 HIF_LCU_memlen            HP070197 HIF_LCU_memdata           HP071197 HIF_memload_crc           HP222197  Subsch. ID : 70 Det. descr. : Load LCU RAM memory	HC003289  193 1 <dec> (Def) 194 195	

HifiManCmd\_upload\_LCU\_patches\_flight\_ops  
 File: H\_FCP\_HIF\_CUPM.xls  
 Author: R. Biggins



Step No.	Time	Activity/Remarks	TC/TLM	Display/ Branch
	ET=+ UT=+00.00.02	HIFI_load_LCU  HIFI_load_LCU  Command Parameter(s) : HIF_LCU_memstart           HP069197 HIF_LCU_memlen            HP070197 HIF_LCU_memdata           HP071197 HIF_memload_crc           HP222197  Subsch. ID : 70 Det. descr. : Load LCU RAM memory	HC003289    196 1 <dec> (Def) 197 198	
	ET=+ UT=+00.00.02	HIFI_load_LCU  HIFI_load_LCU  Command Parameter(s) : HIF_LCU_memstart           HP069197 HIF_LCU_memlen            HP070197 HIF_LCU_memdata           HP071197 HIF_memload_crc           HP222197  Subsch. ID : 70 Det. descr. : Load LCU RAM memory	HC003289    199 1 <dec> (Def) 200 201	
	ET=+ UT=+00.00.02	HIFI_load_LCU  HIFI_load_LCU  Command Parameter(s) : HIF_LCU_memstart           HP069197 HIF_LCU_memlen            HP070197 HIF_LCU_memdata           HP071197 HIF_memload_crc           HP222197  Subsch. ID : 70 Det. descr. : Load LCU RAM memory	HC003289    202 1 <dec> (Def) 203 204	
	ET=+ UT=+00.00.02	HIFI_load_LCU  HIFI_load_LCU  Command Parameter(s) : HIF_LCU_memstart           HP069197 HIF_LCU_memlen            HP070197 HIF_LCU_memdata           HP071197 HIF_memload_crc           HP222197  Subsch. ID : 70 Det. descr. : Load LCU RAM memory	HC003289    205 1 <dec> (Def) 206 207	
	ET=+ UT=+00.00.02	HIFI_load_LCU  HIFI_load_LCU  Command Parameter(s) : HIF_LCU_memstart           HP069197 HIF_LCU_memlen            HP070197 HIF_LCU_memdata           HP071197 HIF_memload_crc           HP222197  Subsch. ID : 70 Det. descr. : Load LCU RAM memory	HC003289    208 1 <dec> (Def) 209 210	

HifiManCmd\_upload\_LCU\_patches\_flight\_ops  
 File: H\_FCP\_HIF\_CUPM.xls  
 Author: R. Biggins



Step No.	Time	Activity/Remarks	TC/TLM	Display/ Branch
	ET=+ UT=+00.00.02	HIFI_load_LCU  HIFI_load_LCU  Command Parameter(s) : HIF_LCU_memstart           HP069197 HIF_LCU_memlen            HP070197 HIF_LCU_memdata           HP071197 HIF_memload_crc           HP222197  Subsch. ID : 70 Det. descr. : Load LCU RAM memory	HC003289  211 1 <dec> (Def) 212 213	
	ET=+ UT=+00.00.02	HIFI_load_LCU  HIFI_load_LCU  Command Parameter(s) : HIF_LCU_memstart           HP069197 HIF_LCU_memlen            HP070197 HIF_LCU_memdata           HP071197 HIF_memload_crc           HP222197  Subsch. ID : 70 Det. descr. : Load LCU RAM memory	HC003289  214 1 <dec> (Def) 215 216	
	ET=+ UT=+00.00.02	HIFI_load_LCU  HIFI_load_LCU  Command Parameter(s) : HIF_LCU_memstart           HP069197 HIF_LCU_memlen            HP070197 HIF_LCU_memdata           HP071197 HIF_memload_crc           HP222197  Subsch. ID : 70 Det. descr. : Load LCU RAM memory	HC003289  217 1 <dec> (Def) 218 219	
	ET=+ UT=+00.00.02	HIFI_load_LCU  HIFI_load_LCU  Command Parameter(s) : HIF_LCU_memstart           HP069197 HIF_LCU_memlen            HP070197 HIF_LCU_memdata           HP071197 HIF_memload_crc           HP222197  Subsch. ID : 70 Det. descr. : Load LCU RAM memory	HC003289  220 1 <dec> (Def) 221 222	
	ET=+ UT=+00.00.02	HIFI_load_LCU  HIFI_load_LCU  Command Parameter(s) : HIF_LCU_memstart           HP069197 HIF_LCU_memlen            HP070197 HIF_LCU_memdata           HP071197 HIF_memload_crc           HP222197  Subsch. ID : 70 Det. descr. : Load LCU RAM memory	HC003289  223 1 <dec> (Def) 224 225	

HifiManCmd\_upload\_LCU\_patches\_flight\_ops  
 File: H\_FCP\_HIF\_CUPM.xls  
 Author: R. Biggins



Step No.	Time	Activity/Remarks	TC/TLM	Display/ Branch
	ET=+ UT=+00.00.02	HIFI_load_LCU  HIFI_load_LCU  Command Parameter(s) : HIF_LCU_memstart           HP069197 HIF_LCU_memlen            HP070197 HIF_LCU_memdata           HP071197 HIF_memload_crc           HP222197  Subsch. ID : 70 Det. descr. : Load LCU RAM memory	HC003289  226 1 <dec> (Def) 227 228	
	ET=+ UT=+00.00.02	HIFI_load_LCU  HIFI_load_LCU  Command Parameter(s) : HIF_LCU_memstart           HP069197 HIF_LCU_memlen            HP070197 HIF_LCU_memdata           HP071197 HIF_memload_crc           HP222197  Subsch. ID : 70 Det. descr. : Load LCU RAM memory	HC003289  229 1 <dec> (Def) 230 231	
	ET=+ UT=+00.00.02	HIFI_load_LCU  HIFI_load_LCU  Command Parameter(s) : HIF_LCU_memstart           HP069197 HIF_LCU_memlen            HP070197 HIF_LCU_memdata           HP071197 HIF_memload_crc           HP222197  Subsch. ID : 70 Det. descr. : Load LCU RAM memory	HC003289  232 1 <dec> (Def) 233 234	
	ET=+ UT=+00.00.02	HIFI_load_LCU  HIFI_load_LCU  Command Parameter(s) : HIF_LCU_memstart           HP069197 HIF_LCU_memlen            HP070197 HIF_LCU_memdata           HP071197 HIF_memload_crc           HP222197  Subsch. ID : 70 Det. descr. : Load LCU RAM memory	HC003289  235 1 <dec> (Def) 236 237	
	ET=+ UT=+00.00.02	HIFI_load_LCU  HIFI_load_LCU  Command Parameter(s) : HIF_LCU_memstart           HP069197 HIF_LCU_memlen            HP070197 HIF_LCU_memdata           HP071197 HIF_memload_crc           HP222197  Subsch. ID : 70 Det. descr. : Load LCU RAM memory	HC003289  238 1 <dec> (Def) 239 240	

HifiManCmd\_upload\_LCU\_patches\_flight\_ops  
 File: H\_FCP\_HIF\_CUPM.xls  
 Author: R. Biggins



Step No.	Time	Activity/Remarks	TC/TLM	Display/ Branch
	ET=+ UT=+00.00.02	HIFI_load_LCU  HIFI_load_LCU  Command Parameter(s) : HIF_LCU_memstart           HP069197 HIF_LCU_memlen            HP070197 HIF_LCU_memdata           HP071197 HIF_memload_crc           HP222197  Subsch. ID : 70 Det. descr. : Load LCU RAM memory	HC003289   241 1 <dec> (Def) 242 243	
	ET=+ UT=+00.00.02	HIFI_load_LCU  HIFI_load_LCU  Command Parameter(s) : HIF_LCU_memstart           HP069197 HIF_LCU_memlen            HP070197 HIF_LCU_memdata           HP071197 HIF_memload_crc           HP222197  Subsch. ID : 70 Det. descr. : Load LCU RAM memory	HC003289   244 1 <dec> (Def) 245 246	
	ET=+ UT=+00.00.02	HIFI_load_LCU  HIFI_load_LCU  Command Parameter(s) : HIF_LCU_memstart           HP069197 HIF_LCU_memlen            HP070197 HIF_LCU_memdata           HP071197 HIF_memload_crc           HP222197  Subsch. ID : 70 Det. descr. : Load LCU RAM memory	HC003289   247 1 <dec> (Def) 248 249	
	ET=+ UT=+00.00.02	HIFI_load_LCU  HIFI_load_LCU  Command Parameter(s) : HIF_LCU_memstart           HP069197 HIF_LCU_memlen            HP070197 HIF_LCU_memdata           HP071197 HIF_memload_crc           HP222197  Subsch. ID : 70 Det. descr. : Load LCU RAM memory	HC003289   250 1 <dec> (Def) 251 252	
	ET=+ UT=+00.00.02	HIFI_load_LCU  HIFI_load_LCU  Command Parameter(s) : HIF_LCU_memstart           HP069197 HIF_LCU_memlen            HP070197 HIF_LCU_memdata           HP071197 HIF_memload_crc           HP222197  Subsch. ID : 70 Det. descr. : Load LCU RAM memory	HC003289   253 1 <dec> (Def) 254 255	

HifiManCmd\_upload\_LCU\_patches\_flight\_ops  
 File: H\_FCP\_HIF\_CUPM.xls  
 Author: R. Biggins



Step No.	Time	Activity/Remarks	TC/TLM	Display/ Branch
	ET=+ UT=+00.00.02	HIFI_load_LCU  HIFI_load_LCU  Command Parameter(s) : HIF_LCU_memstart           HP069197 HIF_LCU_memlen            HP070197 HIF_LCU_memdata           HP071197 HIF_memload_crc           HP222197  Subsch. ID : 70 Det. descr. : Load LCU RAM memory	HC003289  256 1 <dec> (Def) 257 258	
	ET=+ UT=+00.00.02	HIFI_load_LCU  HIFI_load_LCU  Command Parameter(s) : HIF_LCU_memstart           HP069197 HIF_LCU_memlen            HP070197 HIF_LCU_memdata           HP071197 HIF_memload_crc           HP222197  Subsch. ID : 70 Det. descr. : Load LCU RAM memory	HC003289  259 1 <dec> (Def) 260 261	
	ET=+ UT=+00.00.02	HIFI_load_LCU  HIFI_load_LCU  Command Parameter(s) : HIF_LCU_memstart           HP069197 HIF_LCU_memlen            HP070197 HIF_LCU_memdata           HP071197 HIF_memload_crc           HP222197  Subsch. ID : 70 Det. descr. : Load LCU RAM memory	HC003289  262 1 <dec> (Def) 263 264	
	ET=+ UT=+00.00.02	HIFI_load_LCU  HIFI_load_LCU  Command Parameter(s) : HIF_LCU_memstart           HP069197 HIF_LCU_memlen            HP070197 HIF_LCU_memdata           HP071197 HIF_memload_crc           HP222197  Subsch. ID : 70 Det. descr. : Load LCU RAM memory	HC003289  265 1 <dec> (Def) 266 267	
	ET=+ UT=+00.00.02	HIFI_load_LCU  HIFI_load_LCU  Command Parameter(s) : HIF_LCU_memstart           HP069197 HIF_LCU_memlen            HP070197 HIF_LCU_memdata           HP071197 HIF_memload_crc           HP222197  Subsch. ID : 70 Det. descr. : Load LCU RAM memory	HC003289  268 1 <dec> (Def) 269 270	

HifiManCmd\_upload\_LCU\_patches\_flight\_ops  
 File: H\_FCP\_HIF\_CUPM.xls  
 Author: R. Biggins



Step No.	Time	Activity/Remarks	TC/TLM	Display/ Branch
	ET=+ UT=+00.00.02	HIFI_load_LCU  HIFI_load_LCU  Command Parameter(s) : HIF_LCU_memstart           HP069197 HIF_LCU_memlen            HP070197 HIF_LCU_memdata           HP071197 HIF_memload_crc           HP222197  Subsch. ID : 70 Det. descr. : Load LCU RAM memory	HC003289   271 1 <dec> (Def) 272 273	
	ET=+ UT=+00.00.02	HIFI_load_LCU  HIFI_load_LCU  Command Parameter(s) : HIF_LCU_memstart           HP069197 HIF_LCU_memlen            HP070197 HIF_LCU_memdata           HP071197 HIF_memload_crc           HP222197  Subsch. ID : 70 Det. descr. : Load LCU RAM memory	HC003289   274 1 <dec> (Def) 275 276	
	ET=+ UT=+00.00.02	HIFI_load_LCU  HIFI_load_LCU  Command Parameter(s) : HIF_LCU_memstart           HP069197 HIF_LCU_memlen            HP070197 HIF_LCU_memdata           HP071197 HIF_memload_crc           HP222197  Subsch. ID : 70 Det. descr. : Load LCU RAM memory	HC003289   277 1 <dec> (Def) 278 279	
	ET=+ UT=+00.00.02	HIFI_load_LCU  HIFI_load_LCU  Command Parameter(s) : HIF_LCU_memstart           HP069197 HIF_LCU_memlen            HP070197 HIF_LCU_memdata           HP071197 HIF_memload_crc           HP222197  Subsch. ID : 70 Det. descr. : Load LCU RAM memory	HC003289   280 1 <dec> (Def) 281 282	
	ET=+ UT=+00.00.02	HIFI_load_LCU  HIFI_load_LCU  Command Parameter(s) : HIF_LCU_memstart           HP069197 HIF_LCU_memlen            HP070197 HIF_LCU_memdata           HP071197 HIF_memload_crc           HP222197  Subsch. ID : 70 Det. descr. : Load LCU RAM memory	HC003289   283 1 <dec> (Def) 284 285	



HifiManCmd\_upload\_LCU\_patches\_flight\_ops  
 File: H\_FCP\_HIF\_CUPM.xls  
 Author: R. Biggins



Step No.	Time	Activity/Remarks	TC/TLM	Display/ Branch
	ET=+ UT=+00.00.02	HIFI_load_LCU  HIFI_load_LCU  Command Parameter(s) : HIF_LCU_memstart           HP069197 HIF_LCU_memlen            HP070197 HIF_LCU_memdata           HP071197 HIF_memload_crc           HP222197  Subsch. ID : 70 Det. descr. : Load LCU RAM memory	HC003289  286 1 <dec> (Def) 287 288	
	ET=+ UT=+00.00.02	HIFI_load_LCU  HIFI_load_LCU  Command Parameter(s) : HIF_LCU_memstart           HP069197 HIF_LCU_memlen            HP070197 HIF_LCU_memdata           HP071197 HIF_memload_crc           HP222197  Subsch. ID : 70 Det. descr. : Load LCU RAM memory	HC003289  289 1 <dec> (Def) 290 291	
	ET=+ UT=+00.00.02	HIFI_load_LCU  HIFI_load_LCU  Command Parameter(s) : HIF_LCU_memstart           HP069197 HIF_LCU_memlen            HP070197 HIF_LCU_memdata           HP071197 HIF_memload_crc           HP222197  Subsch. ID : 70 Det. descr. : Load LCU RAM memory	HC003289  292 1 <dec> (Def) 293 294	
	ET=+ UT=+00.00.02	HIFI_load_LCU  HIFI_load_LCU  Command Parameter(s) : HIF_LCU_memstart           HP069197 HIF_LCU_memlen            HP070197 HIF_LCU_memdata           HP071197 HIF_memload_crc           HP222197  Subsch. ID : 70 Det. descr. : Load LCU RAM memory	HC003289  295 1 <dec> (Def) 296 297	
	ET=+ UT=+00.00.02	HIFI_load_LCU  HIFI_load_LCU  Command Parameter(s) : HIF_LCU_memstart           HP069197 HIF_LCU_memlen            HP070197 HIF_LCU_memdata           HP071197 HIF_memload_crc           HP222197  Subsch. ID : 70 Det. descr. : Load LCU RAM memory	HC003289  298 1 <dec> (Def) 299 300	

HifiManCmd\_upload\_LCU\_patches\_flight\_ops  
 File: H\_FCP\_HIF\_CUPM.xls  
 Author: R. Biggins



Step No.	Time	Activity/Remarks	TC/TLM	Display/ Branch
	ET=+ UT=+00.00.02	HIFI_load_LCU  HIFI_load_LCU  Command Parameter(s) : HIF_LCU_memstart           HP069197 HIF_LCU_memlen            HP070197 HIF_LCU_memdata           HP071197 HIF_memload_crc           HP222197  Subsch. ID : 70 Det. descr. : Load LCU RAM memory	HC003289   301 1 <dec> (Def) 302 303	
	ET=+ UT=+00.00.02	HIFI_load_LCU  HIFI_load_LCU  Command Parameter(s) : HIF_LCU_memstart           HP069197 HIF_LCU_memlen            HP070197 HIF_LCU_memdata           HP071197 HIF_memload_crc           HP222197  Subsch. ID : 70 Det. descr. : Load LCU RAM memory	HC003289   304 1 <dec> (Def) 305 306	
	ET=+ UT=+00.00.02	HIFI_load_LCU  HIFI_load_LCU  Command Parameter(s) : HIF_LCU_memstart           HP069197 HIF_LCU_memlen            HP070197 HIF_LCU_memdata           HP071197 HIF_memload_crc           HP222197  Subsch. ID : 70 Det. descr. : Load LCU RAM memory	HC003289   307 1 <dec> (Def) 308 309	
	ET=+ UT=+00.00.02	HIFI_load_LCU  HIFI_load_LCU  Command Parameter(s) : HIF_LCU_memstart           HP069197 HIF_LCU_memlen            HP070197 HIF_LCU_memdata           HP071197 HIF_memload_crc           HP222197  Subsch. ID : 70 Det. descr. : Load LCU RAM memory	HC003289   310 1 <dec> (Def) 311 312	
	ET=+ UT=+00.00.02	HIFI_load_LCU  HIFI_load_LCU  Command Parameter(s) : HIF_LCU_memstart           HP069197 HIF_LCU_memlen            HP070197 HIF_LCU_memdata           HP071197 HIF_memload_crc           HP222197  Subsch. ID : 70 Det. descr. : Load LCU RAM memory	HC003289   313 1 <dec> (Def) 314 315	

HifiManCmd\_upload\_LCU\_patches\_flight\_ops  
 File: H\_FCP\_HIF\_CUPM.xls  
 Author: R. Biggins



Step No.	Time	Activity/Remarks	TC/TLM	Display/ Branch
	ET=+ UT=+00.00.02	HIFI_load_LCU  HIFI_load_LCU  Command Parameter(s) : HIF_LCU_memstart           HP069197 HIF_LCU_memlen            HP070197 HIF_LCU_memdata           HP071197 HIF_memload_crc           HP222197  Subsch. ID : 70 Det. descr. : Load LCU RAM memory	HC003289  316 1 <dec> (Def) 317 318	
	ET=+ UT=+00.00.02	HIFI_load_LCU  HIFI_load_LCU  Command Parameter(s) : HIF_LCU_memstart           HP069197 HIF_LCU_memlen            HP070197 HIF_LCU_memdata           HP071197 HIF_memload_crc           HP222197  Subsch. ID : 70 Det. descr. : Load LCU RAM memory	HC003289  319 1 <dec> (Def) 320 321	
	ET=+ UT=+00.00.02	HIFI_load_LCU  HIFI_load_LCU  Command Parameter(s) : HIF_LCU_memstart           HP069197 HIF_LCU_memlen            HP070197 HIF_LCU_memdata           HP071197 HIF_memload_crc           HP222197  Subsch. ID : 70 Det. descr. : Load LCU RAM memory	HC003289  322 1 <dec> (Def) 323 324	
	ET=+ UT=+00.00.02	HIFI_load_LCU  HIFI_load_LCU  Command Parameter(s) : HIF_LCU_memstart           HP069197 HIF_LCU_memlen            HP070197 HIF_LCU_memdata           HP071197 HIF_memload_crc           HP222197  Subsch. ID : 70 Det. descr. : Load LCU RAM memory	HC003289  325 1 <dec> (Def) 326 327	
	ET=+ UT=+00.00.02	HIFI_load_LCU  HIFI_load_LCU  Command Parameter(s) : HIF_LCU_memstart           HP069197 HIF_LCU_memlen            HP070197 HIF_LCU_memdata           HP071197 HIF_memload_crc           HP222197  Subsch. ID : 70 Det. descr. : Load LCU RAM memory	HC003289  328 1 <dec> (Def) 329 330	

HifiManCmd\_upload\_LCU\_patches\_flight\_ops  
 File: H\_FCP\_HIF\_CUPM.xls  
 Author: R. Biggins



Step No.	Time	Activity/Remarks	TC/TLM	Display/ Branch
	ET=+ UT=+00.00.02	HIFI_load_LCU  HIFI_load_LCU  Command Parameter(s) : HIF_LCU_memstart           HP069197 HIF_LCU_memlen            HP070197 HIF_LCU_memdata           HP071197 HIF_memload_crc           HP222197  Subsch. ID : 70 Det. descr. : Load LCU RAM memory	HC003289   331 1 <dec> (Def) 332 333	
	ET=+ UT=+00.00.02	HIFI_load_LCU  HIFI_load_LCU  Command Parameter(s) : HIF_LCU_memstart           HP069197 HIF_LCU_memlen            HP070197 HIF_LCU_memdata           HP071197 HIF_memload_crc           HP222197  Subsch. ID : 70 Det. descr. : Load LCU RAM memory	HC003289   334 1 <dec> (Def) 335 336	
	ET=+ UT=+00.00.02	HIFI_load_LCU  HIFI_load_LCU  Command Parameter(s) : HIF_LCU_memstart           HP069197 HIF_LCU_memlen            HP070197 HIF_LCU_memdata           HP071197 HIF_memload_crc           HP222197  Subsch. ID : 70 Det. descr. : Load LCU RAM memory	HC003289   337 1 <dec> (Def) 338 339	
	ET=+ UT=+00.00.02	HIFI_load_LCU  HIFI_load_LCU  Command Parameter(s) : HIF_LCU_memstart           HP069197 HIF_LCU_memlen            HP070197 HIF_LCU_memdata           HP071197 HIF_memload_crc           HP222197  Subsch. ID : 70 Det. descr. : Load LCU RAM memory	HC003289   340 1 <dec> (Def) 341 342	
	ET=+ UT=+00.00.02	HIFI_load_LCU  HIFI_load_LCU  Command Parameter(s) : HIF_LCU_memstart           HP069197 HIF_LCU_memlen            HP070197 HIF_LCU_memdata           HP071197 HIF_memload_crc           HP222197  Subsch. ID : 70 Det. descr. : Load LCU RAM memory	HC003289   343 1 <dec> (Def) 344 345	

HifiManCmd\_upload\_LCU\_patches\_flight\_ops  
 File: H\_FCP\_HIF\_CUPM.xls  
 Author: R. Biggins



Step No.	Time	Activity/Remarks	TC/TLM	Display/ Branch
	ET=+ UT=+00.00.02	HIFI_load_LCU  HIFI_load_LCU  Command Parameter(s) : HIF_LCU_memstart           HP069197 HIF_LCU_memlen            HP070197 HIF_LCU_memdata          HP071197 HIF_memload_crc           HP222197  Subsch. ID : 70 Det. descr. : Load LCU RAM memory	HC003289  346 1 <dec> (Def) 347 348	
	ET=+ UT=+00.00.02	HIFI_load_LCU  HIFI_load_LCU  Command Parameter(s) : HIF_LCU_memstart           HP069197 HIF_LCU_memlen            HP070197 HIF_LCU_memdata          HP071197 HIF_memload_crc           HP222197  Subsch. ID : 70 Det. descr. : Load LCU RAM memory	HC003289  349 1 <dec> (Def) 350 351	
	ET=+ UT=+00.00.02	HIFI_load_LCU  HIFI_load_LCU  Command Parameter(s) : HIF_LCU_memstart           HP069197 HIF_LCU_memlen            HP070197 HIF_LCU_memdata          HP071197 HIF_memload_crc           HP222197  Subsch. ID : 70 Det. descr. : Load LCU RAM memory	HC003289  352 1 <dec> (Def) 353 354	
	ET=+ UT=+00.00.02	HIFI_load_LCU  HIFI_load_LCU  Command Parameter(s) : HIF_LCU_memstart           HP069197 HIF_LCU_memlen            HP070197 HIF_LCU_memdata          HP071197 HIF_memload_crc           HP222197  Subsch. ID : 70 Det. descr. : Load LCU RAM memory	HC003289  355 1 <dec> (Def) 356 357	
	ET=+ UT=+00.00.02	HIFI_load_LCU  HIFI_load_LCU  Command Parameter(s) : HIF_LCU_memstart           HP069197 HIF_LCU_memlen            HP070197 HIF_LCU_memdata          HP071197 HIF_memload_crc           HP222197  Subsch. ID : 70 Det. descr. : Load LCU RAM memory	HC003289  358 1 <dec> (Def) 359 360	

HifiManCmd\_upload\_LCU\_patches\_flight\_ops  
 File: H\_FCP\_HIF\_CUPM.xls  
 Author: R. Biggins



Step No.	Time	Activity/Remarks	TC/TLM	Display/ Branch
	ET=+ UT=+00.00.02	HIFI_load_LCU  HIFI_load_LCU  Command Parameter(s) : HIF_LCU_memstart           HP069197 HIF_LCU_memlen            HP070197 HIF_LCU_memdata           HP071197 HIF_memload_crc           HP222197  Subsch. ID : 70 Det. descr. : Load LCU RAM memory	HC003289  361 1 <dec> (Def) 362 363	
	ET=+ UT=+00.00.02	HIFI_load_LCU  HIFI_load_LCU  Command Parameter(s) : HIF_LCU_memstart           HP069197 HIF_LCU_memlen            HP070197 HIF_LCU_memdata           HP071197 HIF_memload_crc           HP222197  Subsch. ID : 70 Det. descr. : Load LCU RAM memory	HC003289  364 1 <dec> (Def) 365 366	
	ET=+ UT=+00.00.02	HIFI_load_LCU  HIFI_load_LCU  Command Parameter(s) : HIF_LCU_memstart           HP069197 HIF_LCU_memlen            HP070197 HIF_LCU_memdata           HP071197 HIF_memload_crc           HP222197  Subsch. ID : 70 Det. descr. : Load LCU RAM memory	HC003289  367 1 <dec> (Def) 368 369	
	ET=+ UT=+00.00.02	HIFI_load_LCU  HIFI_load_LCU  Command Parameter(s) : HIF_LCU_memstart           HP069197 HIF_LCU_memlen            HP070197 HIF_LCU_memdata           HP071197 HIF_memload_crc           HP222197  Subsch. ID : 70 Det. descr. : Load LCU RAM memory	HC003289  370 1 <dec> (Def) 371 372	
	ET=+ UT=+00.00.02	HIFI_load_LCU  HIFI_load_LCU  Command Parameter(s) : HIF_LCU_memstart           HP069197 HIF_LCU_memlen            HP070197 HIF_LCU_memdata           HP071197 HIF_memload_crc           HP222197  Subsch. ID : 70 Det. descr. : Load LCU RAM memory	HC003289  373 1 <dec> (Def) 374 375	

HifiManCmd\_upload\_LCU\_patches\_flight\_ops  
 File: H\_FCP\_HIF\_CUPM.xls  
 Author: R. Biggins



Step No.	Time	Activity/Remarks	TC/TLM	Display/ Branch
	ET=+ UT=+00.00.02	HIFI_load_LCU  HIFI_load_LCU  Command Parameter(s) : HIF_LCU_memstart           HP069197 HIF_LCU_memlen            HP070197 HIF_LCU_memdata           HP071197 HIF_memload_crc           HP222197  Subsch. ID : 70 Det. descr. : Load LCU RAM memory	HC003289  376 1 <dec> (Def) 377 378	
	ET=+ UT=+00.00.02	HIFI_load_LCU  HIFI_load_LCU  Command Parameter(s) : HIF_LCU_memstart           HP069197 HIF_LCU_memlen            HP070197 HIF_LCU_memdata           HP071197 HIF_memload_crc           HP222197  Subsch. ID : 70 Det. descr. : Load LCU RAM memory	HC003289  379 1 <dec> (Def) 380 381	
	ET=+ UT=+00.00.02	HIFI_load_LCU  HIFI_load_LCU  Command Parameter(s) : HIF_LCU_memstart           HP069197 HIF_LCU_memlen            HP070197 HIF_LCU_memdata           HP071197 HIF_memload_crc           HP222197  Subsch. ID : 70 Det. descr. : Load LCU RAM memory	HC003289  382 1 <dec> (Def) 383 384	
	ET=+ UT=+00.00.02	HIFI_load_LCU  HIFI_load_LCU  Command Parameter(s) : HIF_LCU_memstart           HP069197 HIF_LCU_memlen            HP070197 HIF_LCU_memdata           HP071197 HIF_memload_crc           HP222197  Subsch. ID : 70 Det. descr. : Load LCU RAM memory	HC003289  385 1 <dec> (Def) 386 387	
	ET=+ UT=+00.00.02	HIFI_load_LCU  HIFI_load_LCU  Command Parameter(s) : HIF_LCU_memstart           HP069197 HIF_LCU_memlen            HP070197 HIF_LCU_memdata           HP071197 HIF_memload_crc           HP222197  Subsch. ID : 70 Det. descr. : Load LCU RAM memory	HC003289  388 1 <dec> (Def) 389 390	

HifiManCmd\_upload\_LCU\_patches\_flight\_ops  
 File: H\_FCP\_HIF\_CUPM.xls  
 Author: R. Biggins



Step No.	Time	Activity/Remarks	TC/TLM	Display/ Branch
	ET=+ UT=+00.00.02	HIFI_load_LCU  HIFI_load_LCU  Command Parameter(s) : HIF_LCU_memstart           HP069197 HIF_LCU_memlen            HP070197 HIF_LCU_memdata           HP071197 HIF_memload_crc           HP222197  Subsch. ID : 70 Det. descr. : Load LCU RAM memory	HC003289  391 1 <dec> (Def) 392 393	
	ET=+ UT=+00.00.02	HIFI_load_LCU  HIFI_load_LCU  Command Parameter(s) : HIF_LCU_memstart           HP069197 HIF_LCU_memlen            HP070197 HIF_LCU_memdata           HP071197 HIF_memload_crc           HP222197  Subsch. ID : 70 Det. descr. : Load LCU RAM memory	HC003289  394 1 <dec> (Def) 395 396	
	ET=+ UT=+00.00.02	HIFI_load_LCU  HIFI_load_LCU  Command Parameter(s) : HIF_LCU_memstart           HP069197 HIF_LCU_memlen            HP070197 HIF_LCU_memdata           HP071197 HIF_memload_crc           HP222197  Subsch. ID : 70 Det. descr. : Load LCU RAM memory	HC003289  397 1 <dec> (Def) 398 399	
	ET=+ UT=+00.00.02	HIFI_load_LCU  HIFI_load_LCU  Command Parameter(s) : HIF_LCU_memstart           HP069197 HIF_LCU_memlen            HP070197 HIF_LCU_memdata           HP071197 HIF_memload_crc           HP222197  Subsch. ID : 70 Det. descr. : Load LCU RAM memory	HC003289  400 1 <dec> (Def) 401 402	
	ET=+ UT=+00.00.02	HIFI_load_LCU  HIFI_load_LCU  Command Parameter(s) : HIF_LCU_memstart           HP069197 HIF_LCU_memlen            HP070197 HIF_LCU_memdata           HP071197 HIF_memload_crc           HP222197  Subsch. ID : 70 Det. descr. : Load LCU RAM memory	HC003289  403 1 <dec> (Def) 404 405	



HifiManCmd\_upload\_LCU\_patches\_flight\_ops  
 File: H\_FCP\_HIF\_CUPM.xls  
 Author: R. Biggins



Step No.	Time	Activity/Remarks	TC/TLM	Display/ Branch
	ET=+ UT=+00.00.02	HIFI_load_LCU  HIFI_load_LCU  Command Parameter(s) : HIF_LCU_memstart           HP069197 HIF_LCU_memlen            HP070197 HIF_LCU_memdata           HP071197 HIF_memload_crc           HP222197  Subsch. ID : 70 Det. descr. : Load LCU RAM memory	HC003289  406 1 <dec> (Def) 407 408	
	ET=+ UT=+00.00.02	HIFI_load_LCU  HIFI_load_LCU  Command Parameter(s) : HIF_LCU_memstart           HP069197 HIF_LCU_memlen            HP070197 HIF_LCU_memdata           HP071197 HIF_memload_crc           HP222197  Subsch. ID : 70 Det. descr. : Load LCU RAM memory	HC003289  409 1 <dec> (Def) 410 411	
	ET=+ UT=+00.00.02	HIFI_load_LCU  HIFI_load_LCU  Command Parameter(s) : HIF_LCU_memstart           HP069197 HIF_LCU_memlen            HP070197 HIF_LCU_memdata           HP071197 HIF_memload_crc           HP222197  Subsch. ID : 70 Det. descr. : Load LCU RAM memory	HC003289  412 1 <dec> (Def) 413 414	
	ET=+ UT=+00.00.02	HIFI_load_LCU  HIFI_load_LCU  Command Parameter(s) : HIF_LCU_memstart           HP069197 HIF_LCU_memlen            HP070197 HIF_LCU_memdata           HP071197 HIF_memload_crc           HP222197  Subsch. ID : 70 Det. descr. : Load LCU RAM memory	HC003289  415 1 <dec> (Def) 416 417	
	ET=+ UT=+00.00.02	HIFI_load_LCU  HIFI_load_LCU  Command Parameter(s) : HIF_LCU_memstart           HP069197 HIF_LCU_memlen            HP070197 HIF_LCU_memdata           HP071197 HIF_memload_crc           HP222197  Subsch. ID : 70 Det. descr. : Load LCU RAM memory	HC003289  418 1 <dec> (Def) 419 420	

HifiManCmd\_upload\_LCU\_patches\_flight\_ops  
 File: H\_FCP\_HIF\_CUPM.xls  
 Author: R. Biggins



Step No.	Time	Activity/Remarks	TC/TLM	Display/ Branch
	ET=+ UT=+00.00.02	HIFI_load_LCU  HIFI_load_LCU  Command Parameter(s) : HIF_LCU_memstart           HP069197 HIF_LCU_memlen            HP070197 HIF_LCU_memdata           HP071197 HIF_memload_crc           HP222197  Subsch. ID : 70 Det. descr. : Load LCU RAM memory	HC003289  421 1 <dec> (Def) 422 423	
	ET=+ UT=+00.00.02	HIFI_load_LCU  HIFI_load_LCU  Command Parameter(s) : HIF_LCU_memstart           HP069197 HIF_LCU_memlen            HP070197 HIF_LCU_memdata           HP071197 HIF_memload_crc           HP222197  Subsch. ID : 70 Det. descr. : Load LCU RAM memory	HC003289  424 1 <dec> (Def) 425 426	
	ET=+ UT=+00.00.02	HIFI_load_LCU  HIFI_load_LCU  Command Parameter(s) : HIF_LCU_memstart           HP069197 HIF_LCU_memlen            HP070197 HIF_LCU_memdata           HP071197 HIF_memload_crc           HP222197  Subsch. ID : 70 Det. descr. : Load LCU RAM memory	HC003289  427 1 <dec> (Def) 428 429	
	ET=+ UT=+00.00.02	HIFI_load_LCU  HIFI_load_LCU  Command Parameter(s) : HIF_LCU_memstart           HP069197 HIF_LCU_memlen            HP070197 HIF_LCU_memdata           HP071197 HIF_memload_crc           HP222197  Subsch. ID : 70 Det. descr. : Load LCU RAM memory	HC003289  430 1 <dec> (Def) 431 432	
	ET=+ UT=+00.00.02	HIFI_load_LCU  HIFI_load_LCU  Command Parameter(s) : HIF_LCU_memstart           HP069197 HIF_LCU_memlen            HP070197 HIF_LCU_memdata           HP071197 HIF_memload_crc           HP222197  Subsch. ID : 70 Det. descr. : Load LCU RAM memory	HC003289  433 1 <dec> (Def) 434 435	

HifiManCmd\_upload\_LCU\_patches\_flight\_ops  
 File: H\_FCP\_HIF\_CUPM.xls  
 Author: R. Biggins



Step No.	Time	Activity/Remarks	TC/TLM	Display/ Branch
	ET=+ UT=+00.00.02	HIFI_load_LCU  HIFI_load_LCU  Command Parameter(s) : HIF_LCU_memstart           HP069197 HIF_LCU_memlen            HP070197 HIF_LCU_memdata           HP071197 HIF_memload_crc           HP222197  Subsch. ID : 70 Det. descr. : Load LCU RAM memory	HC003289  436 1 <dec> (Def) 437 438	
	ET=+ UT=+00.00.02	HIFI_load_LCU  HIFI_load_LCU  Command Parameter(s) : HIF_LCU_memstart           HP069197 HIF_LCU_memlen            HP070197 HIF_LCU_memdata           HP071197 HIF_memload_crc           HP222197  Subsch. ID : 70 Det. descr. : Load LCU RAM memory	HC003289  439 1 <dec> (Def) 440 441	
	ET=+ UT=+00.00.02	HIFI_load_LCU  HIFI_load_LCU  Command Parameter(s) : HIF_LCU_memstart           HP069197 HIF_LCU_memlen            HP070197 HIF_LCU_memdata           HP071197 HIF_memload_crc           HP222197  Subsch. ID : 70 Det. descr. : Load LCU RAM memory	HC003289  442 1 <dec> (Def) 443 444	
	ET=+ UT=+00.00.02	HIFI_load_LCU  HIFI_load_LCU  Command Parameter(s) : HIF_LCU_memstart           HP069197 HIF_LCU_memlen            HP070197 HIF_LCU_memdata           HP071197 HIF_memload_crc           HP222197  Subsch. ID : 70 Det. descr. : Load LCU RAM memory	HC003289  445 1 <dec> (Def) 446 447	
	ET=+ UT=+00.00.02	HIFI_load_LCU  HIFI_load_LCU  Command Parameter(s) : HIF_LCU_memstart           HP069197 HIF_LCU_memlen            HP070197 HIF_LCU_memdata           HP071197 HIF_memload_crc           HP222197  Subsch. ID : 70 Det. descr. : Load LCU RAM memory	HC003289  448 1 <dec> (Def) 449 450	

HifiManCmd\_upload\_LCU\_patches\_flight\_ops  
 File: H\_FCP\_HIF\_CUPM.xls  
 Author: R. Biggins



Step No.	Time	Activity/Remarks	TC/TLM	Display/ Branch
	ET=+ UT=+00.00.02	HIFI_load_LCU  HIFI_load_LCU  Command Parameter(s) : HIF_LCU_memstart           HP069197 HIF_LCU_memlen            HP070197 HIF_LCU_memdata           HP071197 HIF_memload_crc           HP222197  Subsch. ID : 70 Det. descr. : Load LCU RAM memory	HC003289  451 1 <dec> (Def) 452 453	
	ET=+ UT=+00.00.02	HIFI_load_LCU  HIFI_load_LCU  Command Parameter(s) : HIF_LCU_memstart           HP069197 HIF_LCU_memlen            HP070197 HIF_LCU_memdata           HP071197 HIF_memload_crc           HP222197  Subsch. ID : 70 Det. descr. : Load LCU RAM memory	HC003289  454 1 <dec> (Def) 455 456	
	ET=+ UT=+00.00.02	HIFI_load_LCU  HIFI_load_LCU  Command Parameter(s) : HIF_LCU_memstart           HP069197 HIF_LCU_memlen            HP070197 HIF_LCU_memdata           HP071197 HIF_memload_crc           HP222197  Subsch. ID : 70 Det. descr. : Load LCU RAM memory	HC003289  457 1 <dec> (Def) 458 459	
	ET=+ UT=+00.00.02	HIFI_load_LCU  HIFI_load_LCU  Command Parameter(s) : HIF_LCU_memstart           HP069197 HIF_LCU_memlen            HP070197 HIF_LCU_memdata           HP071197 HIF_memload_crc           HP222197  Subsch. ID : 70 Det. descr. : Load LCU RAM memory	HC003289  460 1 <dec> (Def) 461 462	
	ET=+ UT=+00.00.02	HIFI_load_LCU  HIFI_load_LCU  Command Parameter(s) : HIF_LCU_memstart           HP069197 HIF_LCU_memlen            HP070197 HIF_LCU_memdata           HP071197 HIF_memload_crc           HP222197  Subsch. ID : 70 Det. descr. : Load LCU RAM memory	HC003289  463 1 <dec> (Def) 464 465	

HifiManCmd\_upload\_LCU\_patches\_flight\_ops  
 File: H\_FCP\_HIF\_CUPM.xls  
 Author: R. Biggins



Step No.	Time	Activity/Remarks	TC/TLM	Display/ Branch
	ET=+ UT=+00.00.02	HIFI_load_LCU  HIFI_load_LCU  Command Parameter(s) : HIF_LCU_memstart           HP069197 HIF_LCU_memlen            HP070197 HIF_LCU_memdata           HP071197 HIF_memload_crc           HP222197  Subsch. ID : 70 Det. descr. : Load LCU RAM memory	HC003289  466 1 <dec> (Def) 467 468	
	ET=+ UT=+00.00.02	HIFI_load_LCU  HIFI_load_LCU  Command Parameter(s) : HIF_LCU_memstart           HP069197 HIF_LCU_memlen            HP070197 HIF_LCU_memdata           HP071197 HIF_memload_crc           HP222197  Subsch. ID : 70 Det. descr. : Load LCU RAM memory	HC003289  469 1 <dec> (Def) 470 471	
	ET=+ UT=+00.00.02	HIFI_load_LCU  HIFI_load_LCU  Command Parameter(s) : HIF_LCU_memstart           HP069197 HIF_LCU_memlen            HP070197 HIF_LCU_memdata           HP071197 HIF_memload_crc           HP222197  Subsch. ID : 70 Det. descr. : Load LCU RAM memory	HC003289  472 1 <dec> (Def) 473 474	
	ET=+ UT=+00.00.02	HIFI_load_LCU  HIFI_load_LCU  Command Parameter(s) : HIF_LCU_memstart           HP069197 HIF_LCU_memlen            HP070197 HIF_LCU_memdata           HP071197 HIF_memload_crc           HP222197  Subsch. ID : 70 Det. descr. : Load LCU RAM memory	HC003289  475 1 <dec> (Def) 476 477	
	ET=+ UT=+00.00.02	HIFI_load_LCU  HIFI_load_LCU  Command Parameter(s) : HIF_LCU_memstart           HP069197 HIF_LCU_memlen            HP070197 HIF_LCU_memdata           HP071197 HIF_memload_crc           HP222197  Subsch. ID : 70 Det. descr. : Load LCU RAM memory	HC003289  478 1 <dec> (Def) 479 480	

HifiManCmd\_upload\_LCU\_patches\_flight\_ops  
 File: H\_FCP\_HIF\_CUPM.xls  
 Author: R. Biggins



Step No.	Time	Activity/Remarks	TC/TLM	Display/ Branch
	ET=+ UT=+00.00.02	HIFI_load_LCU  HIFI_load_LCU  Command Parameter(s) : HIF_LCU_memstart           HP069197 HIF_LCU_memlen            HP070197 HIF_LCU_memdata           HP071197 HIF_memload_crc           HP222197  Subsch. ID : 70 Det. descr. : Load LCU RAM memory	HC003289  481 1 <dec> (Def) 482 483	
	ET=+ UT=+00.00.02	HIFI_load_LCU  HIFI_load_LCU  Command Parameter(s) : HIF_LCU_memstart           HP069197 HIF_LCU_memlen            HP070197 HIF_LCU_memdata           HP071197 HIF_memload_crc           HP222197  Subsch. ID : 70 Det. descr. : Load LCU RAM memory	HC003289  484 1 <dec> (Def) 485 486	
	ET=+ UT=+00.00.02	HIFI_load_LCU  HIFI_load_LCU  Command Parameter(s) : HIF_LCU_memstart           HP069197 HIF_LCU_memlen            HP070197 HIF_LCU_memdata           HP071197 HIF_memload_crc           HP222197  Subsch. ID : 70 Det. descr. : Load LCU RAM memory	HC003289  487 1 <dec> (Def) 488 489	
	ET=+ UT=+00.00.02	HIFI_load_LCU  HIFI_load_LCU  Command Parameter(s) : HIF_LCU_memstart           HP069197 HIF_LCU_memlen            HP070197 HIF_LCU_memdata           HP071197 HIF_memload_crc           HP222197  Subsch. ID : 70 Det. descr. : Load LCU RAM memory	HC003289  490 1 <dec> (Def) 491 492	
	ET=+ UT=+00.00.02	HIFI_load_LCU  HIFI_load_LCU  Command Parameter(s) : HIF_LCU_memstart           HP069197 HIF_LCU_memlen            HP070197 HIF_LCU_memdata           HP071197 HIF_memload_crc           HP222197  Subsch. ID : 70 Det. descr. : Load LCU RAM memory	HC003289  493 1 <dec> (Def) 494 495	

HifiManCmd\_upload\_LCU\_patches\_flight\_ops  
 File: H\_FCP\_HIF\_CUPM.xls  
 Author: R. Biggins



Step No.	Time	Activity/Remarks	TC/TLM	Display/ Branch
	ET=+ UT=+00.00.02	HIFI_load_LCU  HIFI_load_LCU  Command Parameter(s) : HIF_LCU_memstart           HP069197 HIF_LCU_memlen            HP070197 HIF_LCU_memdata           HP071197 HIF_memload_crc           HP222197  Subsch. ID : 70 Det. descr. : Load LCU RAM memory	HC003289  496 1 <dec> (Def) 497 498	
	ET=+ UT=+00.00.02	HIFI_load_LCU  HIFI_load_LCU  Command Parameter(s) : HIF_LCU_memstart           HP069197 HIF_LCU_memlen            HP070197 HIF_LCU_memdata           HP071197 HIF_memload_crc           HP222197  Subsch. ID : 70 Det. descr. : Load LCU RAM memory	HC003289  499 1 <dec> (Def) 500 501	
	ET=+ UT=+00.00.02	HIFI_load_LCU  HIFI_load_LCU  Command Parameter(s) : HIF_LCU_memstart           HP069197 HIF_LCU_memlen            HP070197 HIF_LCU_memdata           HP071197 HIF_memload_crc           HP222197  Subsch. ID : 70 Det. descr. : Load LCU RAM memory	HC003289  502 1 <dec> (Def) 503 504	
	ET=+ UT=+00.00.02	HIFI_load_LCU  HIFI_load_LCU  Command Parameter(s) : HIF_LCU_memstart           HP069197 HIF_LCU_memlen            HP070197 HIF_LCU_memdata           HP071197 HIF_memload_crc           HP222197  Subsch. ID : 70 Det. descr. : Load LCU RAM memory	HC003289  505 1 <dec> (Def) 506 507	
	ET=+ UT=+00.00.02	HIFI_load_LCU  HIFI_load_LCU  Command Parameter(s) : HIF_LCU_memstart           HP069197 HIF_LCU_memlen            HP070197 HIF_LCU_memdata           HP071197 HIF_memload_crc           HP222197  Subsch. ID : 70 Det. descr. : Load LCU RAM memory	HC003289  508 1 <dec> (Def) 509 510	

HifiManCmd\_upload\_LCU\_patches\_flight\_ops  
 File: H\_FCP\_HIF\_CUPM.xls  
 Author: R. Biggins



Step No.	Time	Activity/Remarks	TC/TLM	Display/ Branch
	ET=+ UT=+00.00.02	HIFI_load_LCU  HIFI_load_LCU  Command Parameter(s) : HIF_LCU_memstart           HP069197 HIF_LCU_memlen            HP070197 HIF_LCU_memdata           HP071197 HIF_memload_crc           HP222197  Subsch. ID : 70 Det. descr. : Load LCU RAM memory	HC003289   511 1 <dec> (Def) 512 513	
	ET=+ UT=+00.00.02	HIFI_load_LCU  HIFI_load_LCU  Command Parameter(s) : HIF_LCU_memstart           HP069197 HIF_LCU_memlen            HP070197 HIF_LCU_memdata           HP071197 HIF_memload_crc           HP222197  Subsch. ID : 70 Det. descr. : Load LCU RAM memory	HC003289   514 1 <dec> (Def) 515 516	
	ET=+ UT=+00.00.02	HIFI_load_LCU  HIFI_load_LCU  Command Parameter(s) : HIF_LCU_memstart           HP069197 HIF_LCU_memlen            HP070197 HIF_LCU_memdata           HP071197 HIF_memload_crc           HP222197  Subsch. ID : 70 Det. descr. : Load LCU RAM memory	HC003289   517 1 <dec> (Def) 518 519	
	ET=+ UT=+00.00.02	HIFI_load_LCU  HIFI_load_LCU  Command Parameter(s) : HIF_LCU_memstart           HP069197 HIF_LCU_memlen            HP070197 HIF_LCU_memdata           HP071197 HIF_memload_crc           HP222197  Subsch. ID : 70 Det. descr. : Load LCU RAM memory	HC003289   520 1 <dec> (Def) 521 522	
	ET=+ UT=+00.00.02	HIFI_load_LCU  HIFI_load_LCU  Command Parameter(s) : HIF_LCU_memstart           HP069197 HIF_LCU_memlen            HP070197 HIF_LCU_memdata           HP071197 HIF_memload_crc           HP222197  Subsch. ID : 70 Det. descr. : Load LCU RAM memory	HC003289   523 1 <dec> (Def) 524 525	



HifiManCmd\_upload\_LCU\_patches\_flight\_ops  
 File: H\_FCP\_HIF\_CUPM.xls  
 Author: R. Biggins



Step No.	Time	Activity/Remarks	TC/TLM	Display/ Branch
	ET=+ UT=+00.00.02	HIFI_load_LCU  HIFI_load_LCU  Command Parameter(s) : HIF_LCU_memstart           HP069197 HIF_LCU_memlen            HP070197 HIF_LCU_memdata           HP071197 HIF_memload_crc           HP222197  Subsch. ID : 70 Det. descr. : Load LCU RAM memory	HC003289  526 1 <dec> (Def) 527 528	
	ET=+ UT=+00.00.02	HIFI_load_LCU  HIFI_load_LCU  Command Parameter(s) : HIF_LCU_memstart           HP069197 HIF_LCU_memlen            HP070197 HIF_LCU_memdata           HP071197 HIF_memload_crc           HP222197  Subsch. ID : 70 Det. descr. : Load LCU RAM memory	HC003289  529 1 <dec> (Def) 530 531	
	ET=+ UT=+00.00.02	HIFI_load_LCU  HIFI_load_LCU  Command Parameter(s) : HIF_LCU_memstart           HP069197 HIF_LCU_memlen            HP070197 HIF_LCU_memdata           HP071197 HIF_memload_crc           HP222197  Subsch. ID : 70 Det. descr. : Load LCU RAM memory	HC003289  532 1 <dec> (Def) 533 534	
	ET=+ UT=+00.00.02	HIFI_load_LCU  HIFI_load_LCU  Command Parameter(s) : HIF_LCU_memstart           HP069197 HIF_LCU_memlen            HP070197 HIF_LCU_memdata           HP071197 HIF_memload_crc           HP222197  Subsch. ID : 70 Det. descr. : Load LCU RAM memory	HC003289  535 1 <dec> (Def) 536 537	
	ET=+ UT=+00.00.02	HIFI_load_LCU  HIFI_load_LCU  Command Parameter(s) : HIF_LCU_memstart           HP069197 HIF_LCU_memlen            HP070197 HIF_LCU_memdata           HP071197 HIF_memload_crc           HP222197  Subsch. ID : 70 Det. descr. : Load LCU RAM memory	HC003289  538 1 <dec> (Def) 539 540	

HifiManCmd\_upload\_LCU\_patches\_flight\_ops  
 File: H\_FCP\_HIF\_CUPM.xls  
 Author: R. Biggins



Step No.	Time	Activity/Remarks	TC/TLM	Display/ Branch
	ET=+ UT=+00.00.02	HIFI_load_LCU  HIFI_load_LCU  Command Parameter(s) : HIF_LCU_memstart           HP069197 HIF_LCU_memlen            HP070197 HIF_LCU_memdata           HP071197 HIF_memload_crc           HP222197  Subsch. ID : 70 Det. descr. : Load LCU RAM memory	HC003289  541 1 <dec> (Def) 542 543	
	ET=+ UT=+00.00.02	HIFI_load_LCU  HIFI_load_LCU  Command Parameter(s) : HIF_LCU_memstart           HP069197 HIF_LCU_memlen            HP070197 HIF_LCU_memdata           HP071197 HIF_memload_crc           HP222197  Subsch. ID : 70 Det. descr. : Load LCU RAM memory	HC003289  544 1 <dec> (Def) 545 546	
	ET=+ UT=+00.00.02	HIFI_load_LCU  HIFI_load_LCU  Command Parameter(s) : HIF_LCU_memstart           HP069197 HIF_LCU_memlen            HP070197 HIF_LCU_memdata           HP071197 HIF_memload_crc           HP222197  Subsch. ID : 70 Det. descr. : Load LCU RAM memory	HC003289  547 1 <dec> (Def) 548 549	
	ET=+ UT=+00.00.02	HIFI_load_LCU  HIFI_load_LCU  Command Parameter(s) : HIF_LCU_memstart           HP069197 HIF_LCU_memlen            HP070197 HIF_LCU_memdata           HP071197 HIF_memload_crc           HP222197  Subsch. ID : 70 Det. descr. : Load LCU RAM memory	HC003289  550 1 <dec> (Def) 551 552	
	ET=+ UT=+00.00.02	HIFI_load_LCU  HIFI_load_LCU  Command Parameter(s) : HIF_LCU_memstart           HP069197 HIF_LCU_memlen            HP070197 HIF_LCU_memdata           HP071197 HIF_memload_crc           HP222197  Subsch. ID : 70 Det. descr. : Load LCU RAM memory	HC003289  553 1 <dec> (Def) 554 555	

HifiManCmd\_upload\_LCU\_patches\_flight\_ops  
 File: H\_FCP\_HIF\_CUPM.xls  
 Author: R. Biggins



Step No.	Time	Activity/Remarks	TC/TLM	Display/ Branch
	ET=+ UT=+00.00.02	HIFI_load_LCU  HIFI_load_LCU  Command Parameter(s) : HIF_LCU_memstart           HP069197 HIF_LCU_memlen            HP070197 HIF_LCU_memdata           HP071197 HIF_memload_crc           HP222197  Subsch. ID : 70 Det. descr. : Load LCU RAM memory	HC003289  556 1 <dec> (Def) 557 558	
	ET=+ UT=+00.00.02	HIFI_load_LCU  HIFI_load_LCU  Command Parameter(s) : HIF_LCU_memstart           HP069197 HIF_LCU_memlen            HP070197 HIF_LCU_memdata           HP071197 HIF_memload_crc           HP222197  Subsch. ID : 70 Det. descr. : Load LCU RAM memory	HC003289  559 1 <dec> (Def) 560 561	
	ET=+ UT=+00.00.02	HIFI_load_LCU  HIFI_load_LCU  Command Parameter(s) : HIF_LCU_memstart           HP069197 HIF_LCU_memlen            HP070197 HIF_LCU_memdata           HP071197 HIF_memload_crc           HP222197  Subsch. ID : 70 Det. descr. : Load LCU RAM memory	HC003289  562 1 <dec> (Def) 563 564	
	ET=+ UT=+00.00.02	HIFI_load_LCU  HIFI_load_LCU  Command Parameter(s) : HIF_LCU_memstart           HP069197 HIF_LCU_memlen            HP070197 HIF_LCU_memdata           HP071197 HIF_memload_crc           HP222197  Subsch. ID : 70 Det. descr. : Load LCU RAM memory	HC003289  565 1 <dec> (Def) 566 567	
	ET=+ UT=+00.00.02	HIFI_load_LCU  HIFI_load_LCU  Command Parameter(s) : HIF_LCU_memstart           HP069197 HIF_LCU_memlen            HP070197 HIF_LCU_memdata           HP071197 HIF_memload_crc           HP222197  Subsch. ID : 70 Det. descr. : Load LCU RAM memory	HC003289  568 1 <dec> (Def) 569 570	

HifiManCmd\_upload\_LCU\_patches\_flight\_ops  
 File: H\_FCP\_HIF\_CUPM.xls  
 Author: R. Biggins



Step No.	Time	Activity/Remarks	TC/TLM	Display/ Branch
	ET=+ UT=+00.00.02	HIFI_load_LCU  HIFI_load_LCU  Command Parameter(s) : HIF_LCU_memstart           HP069197 HIF_LCU_memlen            HP070197 HIF_LCU_memdata           HP071197 HIF_memload_crc           HP222197  Subsch. ID : 70 Det. descr. : Load LCU RAM memory	HC003289  571 1 <dec> (Def) 572 573	
	ET=+ UT=+00.00.02	HIFI_load_LCU  HIFI_load_LCU  Command Parameter(s) : HIF_LCU_memstart           HP069197 HIF_LCU_memlen            HP070197 HIF_LCU_memdata           HP071197 HIF_memload_crc           HP222197  Subsch. ID : 70 Det. descr. : Load LCU RAM memory	HC003289  574 1 <dec> (Def) 575 576	
	ET=+ UT=+00.00.02	HIFI_load_LCU  HIFI_load_LCU  Command Parameter(s) : HIF_LCU_memstart           HP069197 HIF_LCU_memlen            HP070197 HIF_LCU_memdata           HP071197 HIF_memload_crc           HP222197  Subsch. ID : 70 Det. descr. : Load LCU RAM memory	HC003289  577 1 <dec> (Def) 578 579	
	ET=+ UT=+00.00.02	HIFI_load_LCU  HIFI_load_LCU  Command Parameter(s) : HIF_LCU_memstart           HP069197 HIF_LCU_memlen            HP070197 HIF_LCU_memdata           HP071197 HIF_memload_crc           HP222197  Subsch. ID : 70 Det. descr. : Load LCU RAM memory	HC003289  580 1 <dec> (Def) 581 582	
	ET=+ UT=+00.00.02	HIFI_load_LCU  HIFI_load_LCU  Command Parameter(s) : HIF_LCU_memstart           HP069197 HIF_LCU_memlen            HP070197 HIF_LCU_memdata           HP071197 HIF_memload_crc           HP222197  Subsch. ID : 70 Det. descr. : Load LCU RAM memory	HC003289  583 1 <dec> (Def) 584 585	

HifiManCmd\_upload\_LCU\_patches\_flight\_ops  
 File: H\_FCP\_HIF\_CUPM.xls  
 Author: R. Biggins



Step No.	Time	Activity/Remarks	TC/TLM	Display/ Branch
	ET=+ UT=+00.00.02	HIFI_load_LCU  HIFI_load_LCU  Command Parameter(s) : HIF_LCU_memstart           HP069197 HIF_LCU_memlen            HP070197 HIF_LCU_memdata           HP071197 HIF_memload_crc           HP222197  Subsch. ID : 70 Det. descr. : Load LCU RAM memory	HC003289  586 1 <dec> (Def) 587 588	
	ET=+ UT=+00.00.02	HIFI_load_LCU  HIFI_load_LCU  Command Parameter(s) : HIF_LCU_memstart           HP069197 HIF_LCU_memlen            HP070197 HIF_LCU_memdata           HP071197 HIF_memload_crc           HP222197  Subsch. ID : 70 Det. descr. : Load LCU RAM memory	HC003289  589 1 <dec> (Def) 590 591	
	ET=+ UT=+00.00.02	HIFI_load_LCU  HIFI_load_LCU  Command Parameter(s) : HIF_LCU_memstart           HP069197 HIF_LCU_memlen            HP070197 HIF_LCU_memdata           HP071197 HIF_memload_crc           HP222197  Subsch. ID : 70 Det. descr. : Load LCU RAM memory	HC003289  592 1 <dec> (Def) 593 594	
	ET=+ UT=+00.00.02	HIFI_load_LCU  HIFI_load_LCU  Command Parameter(s) : HIF_LCU_memstart           HP069197 HIF_LCU_memlen            HP070197 HIF_LCU_memdata           HP071197 HIF_memload_crc           HP222197  Subsch. ID : 70 Det. descr. : Load LCU RAM memory	HC003289  595 1 <dec> (Def) 596 597	
	ET=+ UT=+00.00.02	HIFI_load_LCU  HIFI_load_LCU  Command Parameter(s) : HIF_LCU_memstart           HP069197 HIF_LCU_memlen            HP070197 HIF_LCU_memdata           HP071197 HIF_memload_crc           HP222197  Subsch. ID : 70 Det. descr. : Load LCU RAM memory	HC003289  598 1 <dec> (Def) 599 600	

HifiManCmd\_upload\_LCU\_patches\_flight\_ops  
 File: H\_FCP\_HIF\_CUPM.xls  
 Author: R. Biggins



Step No.	Time	Activity/Remarks	TC/TLM	Display/ Branch
TC Seq. Name : HFHCUPMZ (Upload LCU patch)  TimeTag Type: N Sub Schedule ID:  <input type="checkbox"/>				
5		Perform LCU memory patch upload		Next Step: 6
		SPACON: wait for HIFI approval before continuing		
		The SPACON should load the following TPF:  <b>HFHCUPMZ_LCUPATCH_vvvv.IPF</b>		
	ET=+ UT=+00.00.01	HIFI_load_LCU  Command Parameter(s) : HIF_LCU_memstart           HP069197 HIF_LCU_memlen            HP070197 HIF_LCU_memdata           HP071197 HIF_memload_crc           HP222197  TC Control Flags :  GBM IL DSE --Y -- --  Subsch. ID : 70 Det. descr. : Load LCU RAM memory	HIFI_load_LCU  HC003289	
	ET=+ UT=+00.00.02	HIFI_load_LCU  Command Parameter(s) : HIF_LCU_memstart           HP069197 HIF_LCU_memlen            HP070197 HIF_LCU_memdata           HP071197 HIF_memload_crc           HP222197  Subsch. ID : 70 Det. descr. : Load LCU RAM memory	HIFI_load_LCU  HC003289	
	ET=+ UT=+00.00.02	HIFI_load_LCU  Command Parameter(s) : HIF_LCU_memstart           HP069197 HIF_LCU_memlen            HP070197 HIF_LCU_memdata           HP071197 HIF_memload_crc           HP222197  Subsch. ID : 70 Det. descr. : Load LCU RAM memory	HIFI_load_LCU  HC003289	

HifiManCmd\_upload\_LCU\_patches\_flight\_ops  
 File: H\_FCP\_HIF\_CUPM.xls  
 Author: R. Biggins



Step No.	Time	Activity/Remarks	TC/TLM	Display/ Branch
	ET=+ UT=+00.00.02	HIFI_load_LCU  HIFI_load_LCU  Command Parameter(s) : HIF_LCU_memstart           HP069197 HIF_LCU_memlen            HP070197 HIF_LCU_memdata           HP071197 HIF_memload_crc           HP222197  Subsch. ID : 70 Det. descr. : Load LCU RAM memory	HC003289           10 1 <dec> (Def) 11 12	
	ET=+ UT=+00.00.02	HIFI_load_LCU  HIFI_load_LCU  Command Parameter(s) : HIF_LCU_memstart           HP069197 HIF_LCU_memlen            HP070197 HIF_LCU_memdata           HP071197 HIF_memload_crc           HP222197  Subsch. ID : 70 Det. descr. : Load LCU RAM memory	HC003289           13 1 <dec> (Def) 14 15	
	ET=+ UT=+00.00.02	HIFI_load_LCU  HIFI_load_LCU  Command Parameter(s) : HIF_LCU_memstart           HP069197 HIF_LCU_memlen            HP070197 HIF_LCU_memdata           HP071197 HIF_memload_crc           HP222197  Subsch. ID : 70 Det. descr. : Load LCU RAM memory	HC003289           16 1 <dec> (Def) 17 18	
	ET=+ UT=+00.00.02	HIFI_load_LCU  HIFI_load_LCU  Command Parameter(s) : HIF_LCU_memstart           HP069197 HIF_LCU_memlen            HP070197 HIF_LCU_memdata           HP071197 HIF_memload_crc           HP222197  Subsch. ID : 70 Det. descr. : Load LCU RAM memory	HC003289           19 1 <dec> (Def) 20 21	
	ET=+ UT=+00.00.02	HIFI_load_LCU  HIFI_load_LCU  Command Parameter(s) : HIF_LCU_memstart           HP069197 HIF_LCU_memlen            HP070197 HIF_LCU_memdata           HP071197 HIF_memload_crc           HP222197  Subsch. ID : 70 Det. descr. : Load LCU RAM memory	HC003289           22 1 <dec> (Def) 23 24	

HifiManCmd\_upload\_LCU\_patches\_flight\_ops  
 File: H\_FCP\_HIF\_CUPM.xls  
 Author: R. Biggins



Step No.	Time	Activity/Remarks	TC/TLM	Display/ Branch
	ET=+ UT=+00.00.02	HIFI_load_LCU  HIFI_load_LCU  Command Parameter(s) : HIF_LCU_memstart           HP069197 HIF_LCU_memlen            HP070197 HIF_LCU_memdata           HP071197 HIF_memload_crc           HP222197  Subsch. ID : 70 Det. descr. : Load LCU RAM memory	HC003289  25 1 <dec> (Def) 26 27	
	ET=+ UT=+00.00.02	HIFI_load_LCU  HIFI_load_LCU  Command Parameter(s) : HIF_LCU_memstart           HP069197 HIF_LCU_memlen            HP070197 HIF_LCU_memdata           HP071197 HIF_memload_crc           HP222197  Subsch. ID : 70 Det. descr. : Load LCU RAM memory	HC003289  28 1 <dec> (Def) 29 30	
	ET=+ UT=+00.00.02	HIFI_load_LCU  HIFI_load_LCU  Command Parameter(s) : HIF_LCU_memstart           HP069197 HIF_LCU_memlen            HP070197 HIF_LCU_memdata           HP071197 HIF_memload_crc           HP222197  Subsch. ID : 70 Det. descr. : Load LCU RAM memory	HC003289  31 1 <dec> (Def) 32 33	
	ET=+ UT=+00.00.02	HIFI_load_LCU  HIFI_load_LCU  Command Parameter(s) : HIF_LCU_memstart           HP069197 HIF_LCU_memlen            HP070197 HIF_LCU_memdata           HP071197 HIF_memload_crc           HP222197  Subsch. ID : 70 Det. descr. : Load LCU RAM memory	HC003289  34 1 <dec> (Def) 35 36	
	ET=+ UT=+00.00.02	HIFI_load_LCU  HIFI_load_LCU  Command Parameter(s) : HIF_LCU_memstart           HP069197 HIF_LCU_memlen            HP070197 HIF_LCU_memdata           HP071197 HIF_memload_crc           HP222197  Subsch. ID : 70 Det. descr. : Load LCU RAM memory	HC003289  37 1 <dec> (Def) 38 39	



HifiManCmd\_upload\_LCU\_patches\_flight\_ops  
 File: H\_FCP\_HIF\_CUPM.xls  
 Author: R. Biggins



Step No.	Time	Activity/Remarks	TC/TLM	Display/ Branch
	ET=+ UT=+00.00.02	HIFI_load_LCU  HIFI_load_LCU  Command Parameter(s) : HIF_LCU_memstart           HP069197 HIF_LCU_memlen            HP070197 HIF_LCU_memdata           HP071197 HIF_memload_crc           HP222197  Subsch. ID : 70 Det. descr. : Load LCU RAM memory	HC003289    40 1 <dec> (Def) 41 42	
	ET=+ UT=+00.00.02	HIFI_load_LCU  HIFI_load_LCU  Command Parameter(s) : HIF_LCU_memstart           HP069197 HIF_LCU_memlen            HP070197 HIF_LCU_memdata           HP071197 HIF_memload_crc           HP222197  Subsch. ID : 70 Det. descr. : Load LCU RAM memory	HC003289    43 1 <dec> (Def) 44 45	
	ET=+ UT=+00.00.02	HIFI_load_LCU  HIFI_load_LCU  Command Parameter(s) : HIF_LCU_memstart           HP069197 HIF_LCU_memlen            HP070197 HIF_LCU_memdata           HP071197 HIF_memload_crc           HP222197  Subsch. ID : 70 Det. descr. : Load LCU RAM memory	HC003289    46 1 <dec> (Def) 47 48	
	ET=+ UT=+00.00.02	HIFI_load_LCU  HIFI_load_LCU  Command Parameter(s) : HIF_LCU_memstart           HP069197 HIF_LCU_memlen            HP070197 HIF_LCU_memdata           HP071197 HIF_memload_crc           HP222197  Subsch. ID : 70 Det. descr. : Load LCU RAM memory	HC003289    49 1 <dec> (Def) 50 51	
	ET=+ UT=+00.00.02	HIFI_load_LCU  HIFI_load_LCU  Command Parameter(s) : HIF_LCU_memstart           HP069197 HIF_LCU_memlen            HP070197 HIF_LCU_memdata           HP071197 HIF_memload_crc           HP222197  Subsch. ID : 70 Det. descr. : Load LCU RAM memory	HC003289    52 1 <dec> (Def) 53 54	

HifiManCmd\_upload\_LCU\_patches\_flight\_ops  
 File: H\_FCP\_HIF\_CUPM.xls  
 Author: R. Biggins



Step No.	Time	Activity/Remarks	TC/TLM	Display/ Branch
	ET=+ UT=+00.00.02	HIFI_load_LCU  HIFI_load_LCU  Command Parameter(s) : HIF_LCU_memstart           HP069197 HIF_LCU_memlen            HP070197 HIF_LCU_memdata           HP071197 HIF_memload_crc           HP222197  Subsch. ID : 70 Det. descr. : Load LCU RAM memory	HC003289   55 1 <dec> (Def) 56 57	
	ET=+ UT=+00.00.02	HIFI_load_LCU  HIFI_load_LCU  Command Parameter(s) : HIF_LCU_memstart           HP069197 HIF_LCU_memlen            HP070197 HIF_LCU_memdata           HP071197 HIF_memload_crc           HP222197  Subsch. ID : 70 Det. descr. : Load LCU RAM memory	HC003289   58 1 <dec> (Def) 59 60	
	ET=+ UT=+00.00.02	HIFI_load_LCU  HIFI_load_LCU  Command Parameter(s) : HIF_LCU_memstart           HP069197 HIF_LCU_memlen            HP070197 HIF_LCU_memdata           HP071197 HIF_memload_crc           HP222197  Subsch. ID : 70 Det. descr. : Load LCU RAM memory	HC003289   61 1 <dec> (Def) 62 63	
	ET=+ UT=+00.00.02	HIFI_load_LCU  HIFI_load_LCU  Command Parameter(s) : HIF_LCU_memstart           HP069197 HIF_LCU_memlen            HP070197 HIF_LCU_memdata           HP071197 HIF_memload_crc           HP222197  Subsch. ID : 70 Det. descr. : Load LCU RAM memory	HC003289   64 1 <dec> (Def) 65 66	
	ET=+ UT=+00.00.02	HIFI_load_LCU  HIFI_load_LCU  Command Parameter(s) : HIF_LCU_memstart           HP069197 HIF_LCU_memlen            HP070197 HIF_LCU_memdata           HP071197 HIF_memload_crc           HP222197  Subsch. ID : 70 Det. descr. : Load LCU RAM memory	HC003289   67 1 <dec> (Def) 68 69	

HifiManCmd\_upload\_LCU\_patches\_flight\_ops  
 File: H\_FCP\_HIF\_CUPM.xls  
 Author: R. Biggins



Step No.	Time	Activity/Remarks	TC/TLM	Display/ Branch
	ET=+ UT=+00.00.02	HIFI_load_LCU  HIFI_load_LCU  Command Parameter(s) : HIF_LCU_memstart           HP069197 HIF_LCU_memlen            HP070197 HIF_LCU_memdata           HP071197 HIF_memload_crc           HP222197  Subsch. ID : 70 Det. descr. : Load LCU RAM memory	HC003289   70 1 <dec> (Def) 71 72	
	ET=+ UT=+00.00.02	HIFI_load_LCU  HIFI_load_LCU  Command Parameter(s) : HIF_LCU_memstart           HP069197 HIF_LCU_memlen            HP070197 HIF_LCU_memdata           HP071197 HIF_memload_crc           HP222197  Subsch. ID : 70 Det. descr. : Load LCU RAM memory	HC003289   73 1 <dec> (Def) 74 75	
	ET=+ UT=+00.00.02	HIFI_load_LCU  HIFI_load_LCU  Command Parameter(s) : HIF_LCU_memstart           HP069197 HIF_LCU_memlen            HP070197 HIF_LCU_memdata           HP071197 HIF_memload_crc           HP222197  Subsch. ID : 70 Det. descr. : Load LCU RAM memory	HC003289   76 1 <dec> (Def) 77 78	
	ET=+ UT=+00.00.02	HIFI_load_LCU  HIFI_load_LCU  Command Parameter(s) : HIF_LCU_memstart           HP069197 HIF_LCU_memlen            HP070197 HIF_LCU_memdata           HP071197 HIF_memload_crc           HP222197  Subsch. ID : 70 Det. descr. : Load LCU RAM memory	HC003289   79 1 <dec> (Def) 80 81	
	ET=+ UT=+00.00.02	HIFI_load_LCU  HIFI_load_LCU  Command Parameter(s) : HIF_LCU_memstart           HP069197 HIF_LCU_memlen            HP070197 HIF_LCU_memdata           HP071197 HIF_memload_crc           HP222197  Subsch. ID : 70 Det. descr. : Load LCU RAM memory	HC003289   82 1 <dec> (Def) 83 84	

HifiManCmd\_upload\_LCU\_patches\_flight\_ops  
 File: H\_FCP\_HIF\_CUPM.xls  
 Author: R. Biggins



Step No.	Time	Activity/Remarks	TC/TLM	Display/ Branch
	ET=+ UT=+00.00.02	HIFI_load_LCU  HIFI_load_LCU  Command Parameter(s) : HIF_LCU_memstart           HP069197 HIF_LCU_memlen            HP070197 HIF_LCU_memdata          HP071197 HIF_memload_crc          HP222197  Subsch. ID : 70 Det. descr. : Load LCU RAM memory	HC003289  85 1 <dec> (Def) 86 87	
	ET=+ UT=+00.00.02	HIFI_load_LCU  HIFI_load_LCU  Command Parameter(s) : HIF_LCU_memstart           HP069197 HIF_LCU_memlen            HP070197 HIF_LCU_memdata          HP071197 HIF_memload_crc          HP222197  Subsch. ID : 70 Det. descr. : Load LCU RAM memory	HC003289  88 1 <dec> (Def) 89 90	
	ET=+ UT=+00.00.02	HIFI_load_LCU  HIFI_load_LCU  Command Parameter(s) : HIF_LCU_memstart           HP069197 HIF_LCU_memlen            HP070197 HIF_LCU_memdata          HP071197 HIF_memload_crc          HP222197  Subsch. ID : 70 Det. descr. : Load LCU RAM memory	HC003289  91 1 <dec> (Def) 92 93	
	ET=+ UT=+00.00.02	HIFI_load_LCU  HIFI_load_LCU  Command Parameter(s) : HIF_LCU_memstart           HP069197 HIF_LCU_memlen            HP070197 HIF_LCU_memdata          HP071197 HIF_memload_crc          HP222197  Subsch. ID : 70 Det. descr. : Load LCU RAM memory	HC003289  94 1 <dec> (Def) 95 96	
	ET=+ UT=+00.00.02	HIFI_load_LCU  HIFI_load_LCU  Command Parameter(s) : HIF_LCU_memstart           HP069197 HIF_LCU_memlen            HP070197 HIF_LCU_memdata          HP071197 HIF_memload_crc          HP222197  Subsch. ID : 70 Det. descr. : Load LCU RAM memory	HC003289  97 1 <dec> (Def) 98 99	

HifiManCmd\_upload\_LCU\_patches\_flight\_ops  
 File: H\_FCP\_HIF\_CUPM.xls  
 Author: R. Biggins



Step No.	Time	Activity/Remarks	TC/TLM	Display/ Branch
	ET=+ UT=+00.00.02	HIFI_load_LCU  HIFI_load_LCU  Command Parameter(s) : HIF_LCU_memstart           HP069197 HIF_LCU_memlen            HP070197 HIF_LCU_memdata           HP071197 HIF_memload_crc           HP222197  Subsch. ID : 70 Det. descr. : Load LCU RAM memory	HC003289   100 1 <dec> (Def) 101 102	
	ET=+ UT=+00.00.02	HIFI_load_LCU  HIFI_load_LCU  Command Parameter(s) : HIF_LCU_memstart           HP069197 HIF_LCU_memlen            HP070197 HIF_LCU_memdata           HP071197 HIF_memload_crc           HP222197  Subsch. ID : 70 Det. descr. : Load LCU RAM memory	HC003289   103 1 <dec> (Def) 104 105	
	ET=+ UT=+00.00.02	HIFI_load_LCU  HIFI_load_LCU  Command Parameter(s) : HIF_LCU_memstart           HP069197 HIF_LCU_memlen            HP070197 HIF_LCU_memdata           HP071197 HIF_memload_crc           HP222197  Subsch. ID : 70 Det. descr. : Load LCU RAM memory	HC003289   106 1 <dec> (Def) 107 108	
	ET=+ UT=+00.00.02	HIFI_load_LCU  HIFI_load_LCU  Command Parameter(s) : HIF_LCU_memstart           HP069197 HIF_LCU_memlen            HP070197 HIF_LCU_memdata           HP071197 HIF_memload_crc           HP222197  Subsch. ID : 70 Det. descr. : Load LCU RAM memory	HC003289   109 1 <dec> (Def) 110 111	
	ET=+ UT=+00.00.02	HIFI_load_LCU  HIFI_load_LCU  Command Parameter(s) : HIF_LCU_memstart           HP069197 HIF_LCU_memlen            HP070197 HIF_LCU_memdata           HP071197 HIF_memload_crc           HP222197  Subsch. ID : 70 Det. descr. : Load LCU RAM memory	HC003289   112 1 <dec> (Def) 113 114	

HifiManCmd\_upload\_LCU\_patches\_flight\_ops  
 File: H\_FCP\_HIF\_CUPM.xls  
 Author: R. Biggins



Step No.	Time	Activity/Remarks	TC/TLM	Display/ Branch
	ET=+ UT=+00.00.02	HIFI_load_LCU  HIFI_load_LCU  Command Parameter(s) : HIF_LCU_memstart           HP069197 HIF_LCU_memlen            HP070197 HIF_LCU_memdata           HP071197 HIF_memload_crc           HP222197  Subsch. ID : 70 Det. descr. : Load LCU RAM memory	HC003289   115 1 <dec> (Def) 116 117	
	ET=+ UT=+00.00.02	HIFI_load_LCU  HIFI_load_LCU  Command Parameter(s) : HIF_LCU_memstart           HP069197 HIF_LCU_memlen            HP070197 HIF_LCU_memdata           HP071197 HIF_memload_crc           HP222197  Subsch. ID : 70 Det. descr. : Load LCU RAM memory	HC003289   118 1 <dec> (Def) 119 120	
	ET=+ UT=+00.00.02	HIFI_load_LCU  HIFI_load_LCU  Command Parameter(s) : HIF_LCU_memstart           HP069197 HIF_LCU_memlen            HP070197 HIF_LCU_memdata           HP071197 HIF_memload_crc           HP222197  Subsch. ID : 70 Det. descr. : Load LCU RAM memory	HC003289   121 1 <dec> (Def) 122 123	
	ET=+ UT=+00.00.02	HIFI_load_LCU  HIFI_load_LCU  Command Parameter(s) : HIF_LCU_memstart           HP069197 HIF_LCU_memlen            HP070197 HIF_LCU_memdata           HP071197 HIF_memload_crc           HP222197  Subsch. ID : 70 Det. descr. : Load LCU RAM memory	HC003289   124 1 <dec> (Def) 125 126	
	ET=+ UT=+00.00.02	HIFI_load_LCU  HIFI_load_LCU  Command Parameter(s) : HIF_LCU_memstart           HP069197 HIF_LCU_memlen            HP070197 HIF_LCU_memdata           HP071197 HIF_memload_crc           HP222197  Subsch. ID : 70 Det. descr. : Load LCU RAM memory	HC003289   127 1 <dec> (Def) 128 129	

HifiManCmd\_upload\_LCU\_patches\_flight\_ops  
 File: H\_FCP\_HIF\_CUPM.xls  
 Author: R. Biggins



Step No.	Time	Activity/Remarks	TC/TLM	Display/ Branch
	ET=+ UT=+00.00.02	HIFI_load_LCU  HIFI_load_LCU  Command Parameter(s) : HIF_LCU_memstart           HP069197 HIF_LCU_memlen            HP070197 HIF_LCU_memdata           HP071197 HIF_memload_crc           HP222197  Subsch. ID : 70 Det. descr. : Load LCU RAM memory	HC003289   130 1 <dec> (Def) 131 132	
	ET=+ UT=+00.00.02	HIFI_load_LCU  HIFI_load_LCU  Command Parameter(s) : HIF_LCU_memstart           HP069197 HIF_LCU_memlen            HP070197 HIF_LCU_memdata           HP071197 HIF_memload_crc           HP222197  Subsch. ID : 70 Det. descr. : Load LCU RAM memory	HC003289   133 1 <dec> (Def) 134 135	
	ET=+ UT=+00.00.02	HIFI_load_LCU  HIFI_load_LCU  Command Parameter(s) : HIF_LCU_memstart           HP069197 HIF_LCU_memlen            HP070197 HIF_LCU_memdata           HP071197 HIF_memload_crc           HP222197  Subsch. ID : 70 Det. descr. : Load LCU RAM memory	HC003289   136 1 <dec> (Def) 137 138	
	ET=+ UT=+00.00.02	HIFI_load_LCU  HIFI_load_LCU  Command Parameter(s) : HIF_LCU_memstart           HP069197 HIF_LCU_memlen            HP070197 HIF_LCU_memdata           HP071197 HIF_memload_crc           HP222197  Subsch. ID : 70 Det. descr. : Load LCU RAM memory	HC003289   139 1 <dec> (Def) 140 141	
	ET=+ UT=+00.00.02	HIFI_load_LCU  HIFI_load_LCU  Command Parameter(s) : HIF_LCU_memstart           HP069197 HIF_LCU_memlen            HP070197 HIF_LCU_memdata           HP071197 HIF_memload_crc           HP222197  Subsch. ID : 70 Det. descr. : Load LCU RAM memory	HC003289   142 1 <dec> (Def) 143 144	

HifiManCmd\_upload\_LCU\_patches\_flight\_ops  
 File: H\_FCP\_HIF\_CUPM.xls  
 Author: R. Biggins



Step No.	Time	Activity/Remarks	TC/TLM	Display/ Branch
	ET=+ UT=+00.00.02	HIFI_load_LCU  HIFI_load_LCU  Command Parameter(s) : HIF_LCU_memstart           HP069197 HIF_LCU_memlen            HP070197 HIF_LCU_memdata           HP071197 HIF_memload_crc           HP222197  Subsch. ID : 70 Det. descr. : Load LCU RAM memory	HC003289  145 1 <dec> (Def) 146 147	
	ET=+ UT=+00.00.02	HIFI_load_LCU  HIFI_load_LCU  Command Parameter(s) : HIF_LCU_memstart           HP069197 HIF_LCU_memlen            HP070197 HIF_LCU_memdata           HP071197 HIF_memload_crc           HP222197  Subsch. ID : 70 Det. descr. : Load LCU RAM memory	HC003289  148 1 <dec> (Def) 149 150	
	ET=+ UT=+00.00.02	HIFI_load_LCU  HIFI_load_LCU  Command Parameter(s) : HIF_LCU_memstart           HP069197 HIF_LCU_memlen            HP070197 HIF_LCU_memdata           HP071197 HIF_memload_crc           HP222197  Subsch. ID : 70 Det. descr. : Load LCU RAM memory	HC003289  151 1 <dec> (Def) 152 153	
	ET=+ UT=+00.00.02	HIFI_load_LCU  HIFI_load_LCU  Command Parameter(s) : HIF_LCU_memstart           HP069197 HIF_LCU_memlen            HP070197 HIF_LCU_memdata           HP071197 HIF_memload_crc           HP222197  Subsch. ID : 70 Det. descr. : Load LCU RAM memory	HC003289  154 1 <dec> (Def) 155 156	
	ET=+ UT=+00.00.02	HIFI_load_LCU  HIFI_load_LCU  Command Parameter(s) : HIF_LCU_memstart           HP069197 HIF_LCU_memlen            HP070197 HIF_LCU_memdata           HP071197 HIF_memload_crc           HP222197  Subsch. ID : 70 Det. descr. : Load LCU RAM memory	HC003289  157 1 <dec> (Def) 158 159	



HifiManCmd\_upload\_LCU\_patches\_flight\_ops  
 File: H\_FCP\_HIF\_CUPM.xls  
 Author: R. Biggins



Step No.	Time	Activity/Remarks	TC/TLM	Display/ Branch
	ET=+ UT=+00.00.02	HIFI_load_LCU  HIFI_load_LCU  Command Parameter(s) : HIF_LCU_memstart           HP069197 HIF_LCU_memlen            HP070197 HIF_LCU_memdata           HP071197 HIF_memload_crc           HP222197  Subsch. ID : 70 Det. descr. : Load LCU RAM memory	HC003289   160 1 <dec> (Def) 161 162	
	ET=+ UT=+00.00.02	HIFI_load_LCU  HIFI_load_LCU  Command Parameter(s) : HIF_LCU_memstart           HP069197 HIF_LCU_memlen            HP070197 HIF_LCU_memdata           HP071197 HIF_memload_crc           HP222197  Subsch. ID : 70 Det. descr. : Load LCU RAM memory	HC003289   163 1 <dec> (Def) 164 165	
	ET=+ UT=+00.00.02	HIFI_load_LCU  HIFI_load_LCU  Command Parameter(s) : HIF_LCU_memstart           HP069197 HIF_LCU_memlen            HP070197 HIF_LCU_memdata           HP071197 HIF_memload_crc           HP222197  Subsch. ID : 70 Det. descr. : Load LCU RAM memory	HC003289   166 1 <dec> (Def) 167 168	
	ET=+ UT=+00.00.02	HIFI_load_LCU  HIFI_load_LCU  Command Parameter(s) : HIF_LCU_memstart           HP069197 HIF_LCU_memlen            HP070197 HIF_LCU_memdata           HP071197 HIF_memload_crc           HP222197  Subsch. ID : 70 Det. descr. : Load LCU RAM memory	HC003289   169 1 <dec> (Def) 170 171	
	ET=+ UT=+00.00.02	HIFI_load_LCU  HIFI_load_LCU  Command Parameter(s) : HIF_LCU_memstart           HP069197 HIF_LCU_memlen            HP070197 HIF_LCU_memdata           HP071197 HIF_memload_crc           HP222197  Subsch. ID : 70 Det. descr. : Load LCU RAM memory	HC003289   172 1 <dec> (Def) 173 174	

HifiManCmd\_upload\_LCU\_patches\_flight\_ops  
 File: H\_FCP\_HIF\_CUPM.xls  
 Author: R. Biggins



Step No.	Time	Activity/Remarks	TC/TLM	Display/ Branch
	ET=+ UT=+00.00.02	HIFI_load_LCU  HIFI_load_LCU  Command Parameter(s) : HIF_LCU_memstart           HP069197 HIF_LCU_memlen            HP070197 HIF_LCU_memdata           HP071197 HIF_memload_crc           HP222197  Subsch. ID : 70 Det. descr. : Load LCU RAM memory	HC003289  175 1 <dec> (Def) 176 177	
	ET=+ UT=+00.00.02	HIFI_load_LCU  HIFI_load_LCU  Command Parameter(s) : HIF_LCU_memstart           HP069197 HIF_LCU_memlen            HP070197 HIF_LCU_memdata           HP071197 HIF_memload_crc           HP222197  Subsch. ID : 70 Det. descr. : Load LCU RAM memory	HC003289  178 1 <dec> (Def) 179 180	
	ET=+ UT=+00.00.02	HIFI_load_LCU  HIFI_load_LCU  Command Parameter(s) : HIF_LCU_memstart           HP069197 HIF_LCU_memlen            HP070197 HIF_LCU_memdata           HP071197 HIF_memload_crc           HP222197  Subsch. ID : 70 Det. descr. : Load LCU RAM memory	HC003289  181 1 <dec> (Def) 182 183	
	ET=+ UT=+00.00.02	HIFI_load_LCU  HIFI_load_LCU  Command Parameter(s) : HIF_LCU_memstart           HP069197 HIF_LCU_memlen            HP070197 HIF_LCU_memdata           HP071197 HIF_memload_crc           HP222197  Subsch. ID : 70 Det. descr. : Load LCU RAM memory	HC003289  184 1 <dec> (Def) 185 186	
	ET=+ UT=+00.00.02	HIFI_load_LCU  HIFI_load_LCU  Command Parameter(s) : HIF_LCU_memstart           HP069197 HIF_LCU_memlen            HP070197 HIF_LCU_memdata           HP071197 HIF_memload_crc           HP222197  Subsch. ID : 70 Det. descr. : Load LCU RAM memory	HC003289  187 1 <dec> (Def) 188 189	

HifiManCmd\_upload\_LCU\_patches\_flight\_ops  
 File: H\_FCP\_HIF\_CUPM.xls  
 Author: R. Biggins



Step No.	Time	Activity/Remarks	TC/TLM	Display/ Branch
	ET=+ UT=+00.00.02	HIFI_load_LCU  HIFI_load_LCU  Command Parameter(s) : HIF_LCU_memstart           HP069197 HIF_LCU_memlen            HP070197 HIF_LCU_memdata           HP071197 HIF_memload_crc           HP222197  Subsch. ID : 70 Det. descr. : Load LCU RAM memory	HC003289   190 1 <dec> (Def) 191 192	
	ET=+ UT=+00.00.02	HIFI_load_LCU  HIFI_load_LCU  Command Parameter(s) : HIF_LCU_memstart           HP069197 HIF_LCU_memlen            HP070197 HIF_LCU_memdata           HP071197 HIF_memload_crc           HP222197  Subsch. ID : 70 Det. descr. : Load LCU RAM memory	HC003289   193 1 <dec> (Def) 194 195	
	ET=+ UT=+00.00.02	HIFI_load_LCU  HIFI_load_LCU  Command Parameter(s) : HIF_LCU_memstart           HP069197 HIF_LCU_memlen            HP070197 HIF_LCU_memdata           HP071197 HIF_memload_crc           HP222197  Subsch. ID : 70 Det. descr. : Load LCU RAM memory	HC003289   196 1 <dec> (Def) 197 198	
	ET=+ UT=+00.00.02	HIFI_load_LCU  HIFI_load_LCU  Command Parameter(s) : HIF_LCU_memstart           HP069197 HIF_LCU_memlen            HP070197 HIF_LCU_memdata           HP071197 HIF_memload_crc           HP222197  Subsch. ID : 70 Det. descr. : Load LCU RAM memory	HC003289   199 1 <dec> (Def) 200 201	
	ET=+ UT=+00.00.02	HIFI_load_LCU  HIFI_load_LCU  Command Parameter(s) : HIF_LCU_memstart           HP069197 HIF_LCU_memlen            HP070197 HIF_LCU_memdata           HP071197 HIF_memload_crc           HP222197  Subsch. ID : 70 Det. descr. : Load LCU RAM memory	HC003289   202 1 <dec> (Def) 203 204	

HifiManCmd\_upload\_LCU\_patches\_flight\_ops  
 File: H\_FCP\_HIF\_CUPM.xls  
 Author: R. Biggins



Step No.	Time	Activity/Remarks	TC/TLM	Display/ Branch
	ET=+ UT=+00.00.02	HIFI_load_LCU  HIFI_load_LCU  Command Parameter(s) : HIF_LCU_memstart           HP069197 HIF_LCU_memlen            HP070197 HIF_LCU_memdata           HP071197 HIF_memload_crc           HP222197  Subsch. ID : 70 Det. descr. : Load LCU RAM memory	HC003289   205 1 <dec> (Def) 206 207	
	ET=+ UT=+00.00.02	HIFI_load_LCU  HIFI_load_LCU  Command Parameter(s) : HIF_LCU_memstart           HP069197 HIF_LCU_memlen            HP070197 HIF_LCU_memdata           HP071197 HIF_memload_crc           HP222197  Subsch. ID : 70 Det. descr. : Load LCU RAM memory	HC003289   208 1 <dec> (Def) 209 210	
	ET=+ UT=+00.00.02	HIFI_load_LCU  HIFI_load_LCU  Command Parameter(s) : HIF_LCU_memstart           HP069197 HIF_LCU_memlen            HP070197 HIF_LCU_memdata           HP071197 HIF_memload_crc           HP222197  Subsch. ID : 70 Det. descr. : Load LCU RAM memory	HC003289   211 1 <dec> (Def) 212 213	
	ET=+ UT=+00.00.02	HIFI_load_LCU  HIFI_load_LCU  Command Parameter(s) : HIF_LCU_memstart           HP069197 HIF_LCU_memlen            HP070197 HIF_LCU_memdata           HP071197 HIF_memload_crc           HP222197  Subsch. ID : 70 Det. descr. : Load LCU RAM memory	HC003289   214 1 <dec> (Def) 215 216	
	ET=+ UT=+00.00.02	HIFI_load_LCU  HIFI_load_LCU  Command Parameter(s) : HIF_LCU_memstart           HP069197 HIF_LCU_memlen            HP070197 HIF_LCU_memdata           HP071197 HIF_memload_crc           HP222197  Subsch. ID : 70 Det. descr. : Load LCU RAM memory	HC003289   217 1 <dec> (Def) 218 219	

HifiManCmd\_upload\_LCU\_patches\_flight\_ops  
 File: H\_FCP\_HIF\_CUPM.xls  
 Author: R. Biggins



Step No.	Time	Activity/Remarks	TC/TLM	Display/ Branch
	ET=+ UT=+00.00.02	HIFI_load_LCU  HIFI_load_LCU  Command Parameter(s) : HIF_LCU_memstart           HP069197 HIF_LCU_memlen            HP070197 HIF_LCU_memdata           HP071197 HIF_memload_crc           HP222197  Subsch. ID : 70 Det. descr. : Load LCU RAM memory	HC003289  220 1 <dec> (Def) 221 222	
	ET=+ UT=+00.00.02	HIFI_load_LCU  HIFI_load_LCU  Command Parameter(s) : HIF_LCU_memstart           HP069197 HIF_LCU_memlen            HP070197 HIF_LCU_memdata           HP071197 HIF_memload_crc           HP222197  Subsch. ID : 70 Det. descr. : Load LCU RAM memory	HC003289  223 1 <dec> (Def) 224 225	
	ET=+ UT=+00.00.02	HIFI_load_LCU  HIFI_load_LCU  Command Parameter(s) : HIF_LCU_memstart           HP069197 HIF_LCU_memlen            HP070197 HIF_LCU_memdata           HP071197 HIF_memload_crc           HP222197  Subsch. ID : 70 Det. descr. : Load LCU RAM memory	HC003289  226 1 <dec> (Def) 227 228	
	ET=+ UT=+00.00.02	HIFI_load_LCU  HIFI_load_LCU  Command Parameter(s) : HIF_LCU_memstart           HP069197 HIF_LCU_memlen            HP070197 HIF_LCU_memdata           HP071197 HIF_memload_crc           HP222197  Subsch. ID : 70 Det. descr. : Load LCU RAM memory	HC003289  229 1 <dec> (Def) 230 231	
	ET=+ UT=+00.00.02	HIFI_load_LCU  HIFI_load_LCU  Command Parameter(s) : HIF_LCU_memstart           HP069197 HIF_LCU_memlen            HP070197 HIF_LCU_memdata           HP071197 HIF_memload_crc           HP222197  Subsch. ID : 70 Det. descr. : Load LCU RAM memory	HC003289  232 1 <dec> (Def) 233 234	

HifiManCmd\_upload\_LCU\_patches\_flight\_ops  
 File: H\_FCP\_HIF\_CUPM.xls  
 Author: R. Biggins



Step No.	Time	Activity/Remarks	TC/TLM	Display/ Branch
	ET=+ UT=+00.00.02	HIFI_load_LCU  HIFI_load_LCU  Command Parameter(s) : HIF_LCU_memstart           HP069197 HIF_LCU_memlen            HP070197 HIF_LCU_memdata           HP071197 HIF_memload_crc           HP222197  Subsch. ID : 70 Det. descr. : Load LCU RAM memory	HC003289  235 1 <dec> (Def) 236 237	
	ET=+ UT=+00.00.02	HIFI_load_LCU  HIFI_load_LCU  Command Parameter(s) : HIF_LCU_memstart           HP069197 HIF_LCU_memlen            HP070197 HIF_LCU_memdata           HP071197 HIF_memload_crc           HP222197  Subsch. ID : 70 Det. descr. : Load LCU RAM memory	HC003289  238 1 <dec> (Def) 239 240	
	ET=+ UT=+00.00.02	HIFI_load_LCU  HIFI_load_LCU  Command Parameter(s) : HIF_LCU_memstart           HP069197 HIF_LCU_memlen            HP070197 HIF_LCU_memdata           HP071197 HIF_memload_crc           HP222197  Subsch. ID : 70 Det. descr. : Load LCU RAM memory	HC003289  241 1 <dec> (Def) 242 243	
	ET=+ UT=+00.00.02	HIFI_load_LCU  HIFI_load_LCU  Command Parameter(s) : HIF_LCU_memstart           HP069197 HIF_LCU_memlen            HP070197 HIF_LCU_memdata           HP071197 HIF_memload_crc           HP222197  Subsch. ID : 70 Det. descr. : Load LCU RAM memory	HC003289  244 1 <dec> (Def) 245 246	
	ET=+ UT=+00.00.02	HIFI_load_LCU  HIFI_load_LCU  Command Parameter(s) : HIF_LCU_memstart           HP069197 HIF_LCU_memlen            HP070197 HIF_LCU_memdata           HP071197 HIF_memload_crc           HP222197  Subsch. ID : 70 Det. descr. : Load LCU RAM memory	HC003289  247 1 <dec> (Def) 248 249	

HifiManCmd\_upload\_LCU\_patches\_flight\_ops  
 File: H\_FCP\_HIF\_CUPM.xls  
 Author: R. Biggins



Step No.	Time	Activity/Remarks	TC/TLM	Display/ Branch
	ET=+ UT=+00.00.02	HIFI_load_LCU  HIFI_load_LCU  Command Parameter(s) : HIF_LCU_memstart           HP069197 HIF_LCU_memlen            HP070197 HIF_LCU_memdata           HP071197 HIF_memload_crc           HP222197  Subsch. ID : 70 Det. descr. : Load LCU RAM memory	HC003289  250 1 <dec> (Def) 251 252	
	ET=+ UT=+00.00.02	HIFI_load_LCU  HIFI_load_LCU  Command Parameter(s) : HIF_LCU_memstart           HP069197 HIF_LCU_memlen            HP070197 HIF_LCU_memdata           HP071197 HIF_memload_crc           HP222197  Subsch. ID : 70 Det. descr. : Load LCU RAM memory	HC003289  253 1 <dec> (Def) 254 255	
	ET=+ UT=+00.00.02	HIFI_load_LCU  HIFI_load_LCU  Command Parameter(s) : HIF_LCU_memstart           HP069197 HIF_LCU_memlen            HP070197 HIF_LCU_memdata           HP071197 HIF_memload_crc           HP222197  Subsch. ID : 70 Det. descr. : Load LCU RAM memory	HC003289  256 1 <dec> (Def) 257 258	
	ET=+ UT=+00.00.02	HIFI_load_LCU  HIFI_load_LCU  Command Parameter(s) : HIF_LCU_memstart           HP069197 HIF_LCU_memlen            HP070197 HIF_LCU_memdata           HP071197 HIF_memload_crc           HP222197  Subsch. ID : 70 Det. descr. : Load LCU RAM memory	HC003289  259 1 <dec> (Def) 260 261	
	ET=+ UT=+00.00.02	HIFI_load_LCU  HIFI_load_LCU  Command Parameter(s) : HIF_LCU_memstart           HP069197 HIF_LCU_memlen            HP070197 HIF_LCU_memdata           HP071197 HIF_memload_crc           HP222197  Subsch. ID : 70 Det. descr. : Load LCU RAM memory	HC003289  262 1 <dec> (Def) 263 264	

HifiManCmd\_upload\_LCU\_patches\_flight\_ops  
 File: H\_FCP\_HIF\_CUPM.xls  
 Author: R. Biggins



Step No.	Time	Activity/Remarks	TC/TLM	Display/ Branch
	ET=+ UT=+00.00.02	HIFI_load_LCU  HIFI_load_LCU  Command Parameter(s) : HIF_LCU_memstart           HP069197 HIF_LCU_memlen            HP070197 HIF_LCU_memdata           HP071197 HIF_memload_crc           HP222197  Subsch. ID : 70 Det. descr. : Load LCU RAM memory	HC003289  265 1 <dec> (Def) 266 267	
	ET=+ UT=+00.00.02	HIFI_load_LCU  HIFI_load_LCU  Command Parameter(s) : HIF_LCU_memstart           HP069197 HIF_LCU_memlen            HP070197 HIF_LCU_memdata           HP071197 HIF_memload_crc           HP222197  Subsch. ID : 70 Det. descr. : Load LCU RAM memory	HC003289  268 1 <dec> (Def) 269 270	
	ET=+ UT=+00.00.02	HIFI_load_LCU  HIFI_load_LCU  Command Parameter(s) : HIF_LCU_memstart           HP069197 HIF_LCU_memlen            HP070197 HIF_LCU_memdata           HP071197 HIF_memload_crc           HP222197  Subsch. ID : 70 Det. descr. : Load LCU RAM memory	HC003289  271 1 <dec> (Def) 272 273	
	ET=+ UT=+00.00.02	HIFI_load_LCU  HIFI_load_LCU  Command Parameter(s) : HIF_LCU_memstart           HP069197 HIF_LCU_memlen            HP070197 HIF_LCU_memdata           HP071197 HIF_memload_crc           HP222197  Subsch. ID : 70 Det. descr. : Load LCU RAM memory	HC003289  274 1 <dec> (Def) 275 276	
	ET=+ UT=+00.00.02	HIFI_load_LCU  HIFI_load_LCU  Command Parameter(s) : HIF_LCU_memstart           HP069197 HIF_LCU_memlen            HP070197 HIF_LCU_memdata           HP071197 HIF_memload_crc           HP222197  Subsch. ID : 70 Det. descr. : Load LCU RAM memory	HC003289  277 1 <dec> (Def) 278 279	



HifiManCmd\_upload\_LCU\_patches\_flight\_ops  
 File: H\_FCP\_HIF\_CUPM.xls  
 Author: R. Biggins



Step No.	Time	Activity/Remarks	TC/TLM	Display/ Branch
	ET=+ UT=+00.00.02	HIFI_load_LCU  HIFI_load_LCU  Command Parameter(s) : HIF_LCU_memstart           HP069197 HIF_LCU_memlen            HP070197 HIF_LCU_memdata           HP071197 HIF_memload_crc           HP222197  Subsch. ID : 70 Det. descr. : Load LCU RAM memory	HC003289  280 1 <dec> (Def) 281 282	
	ET=+ UT=+00.00.02	HIFI_load_LCU  HIFI_load_LCU  Command Parameter(s) : HIF_LCU_memstart           HP069197 HIF_LCU_memlen            HP070197 HIF_LCU_memdata           HP071197 HIF_memload_crc           HP222197  Subsch. ID : 70 Det. descr. : Load LCU RAM memory	HC003289  283 1 <dec> (Def) 284 285	
	ET=+ UT=+00.00.02	HIFI_load_LCU  HIFI_load_LCU  Command Parameter(s) : HIF_LCU_memstart           HP069197 HIF_LCU_memlen            HP070197 HIF_LCU_memdata           HP071197 HIF_memload_crc           HP222197  Subsch. ID : 70 Det. descr. : Load LCU RAM memory	HC003289  286 1 <dec> (Def) 287 288	
	ET=+ UT=+00.00.02	HIFI_load_LCU  HIFI_load_LCU  Command Parameter(s) : HIF_LCU_memstart           HP069197 HIF_LCU_memlen            HP070197 HIF_LCU_memdata           HP071197 HIF_memload_crc           HP222197  Subsch. ID : 70 Det. descr. : Load LCU RAM memory	HC003289  289 1 <dec> (Def) 290 291	
	ET=+ UT=+00.00.02	HIFI_load_LCU  HIFI_load_LCU  Command Parameter(s) : HIF_LCU_memstart           HP069197 HIF_LCU_memlen            HP070197 HIF_LCU_memdata           HP071197 HIF_memload_crc           HP222197  Subsch. ID : 70 Det. descr. : Load LCU RAM memory	HC003289  292 1 <dec> (Def) 293 294	

HifiManCmd\_upload\_LCU\_patches\_flight\_ops  
 File: H\_FCP\_HIF\_CUPM.xls  
 Author: R. Biggins



Step No.	Time	Activity/Remarks	TC/TLM	Display/ Branch
	ET=+ UT=+00.00.02	HIFI_load_LCU  HIFI_load_LCU  Command Parameter(s) : HIF_LCU_memstart           HP069197 HIF_LCU_memlen            HP070197 HIF_LCU_memdata           HP071197 HIF_memload_crc           HP222197  Subsch. ID : 70 Det. descr. : Load LCU RAM memory	HC003289  295 1 <dec> (Def) 296 297	
	ET=+ UT=+00.00.02	HIFI_load_LCU  HIFI_load_LCU  Command Parameter(s) : HIF_LCU_memstart           HP069197 HIF_LCU_memlen            HP070197 HIF_LCU_memdata           HP071197 HIF_memload_crc           HP222197  Subsch. ID : 70 Det. descr. : Load LCU RAM memory	HC003289  298 1 <dec> (Def) 299 300	
	ET=+ UT=+00.00.02	HIFI_load_LCU  HIFI_load_LCU  Command Parameter(s) : HIF_LCU_memstart           HP069197 HIF_LCU_memlen            HP070197 HIF_LCU_memdata           HP071197 HIF_memload_crc           HP222197  Subsch. ID : 70 Det. descr. : Load LCU RAM memory	HC003289  301 1 <dec> (Def) 302 303	
	ET=+ UT=+00.00.02	HIFI_load_LCU  HIFI_load_LCU  Command Parameter(s) : HIF_LCU_memstart           HP069197 HIF_LCU_memlen            HP070197 HIF_LCU_memdata           HP071197 HIF_memload_crc           HP222197  Subsch. ID : 70 Det. descr. : Load LCU RAM memory	HC003289  304 1 <dec> (Def) 305 306	
	ET=+ UT=+00.00.02	HIFI_load_LCU  HIFI_load_LCU  Command Parameter(s) : HIF_LCU_memstart           HP069197 HIF_LCU_memlen            HP070197 HIF_LCU_memdata           HP071197 HIF_memload_crc           HP222197  Subsch. ID : 70 Det. descr. : Load LCU RAM memory	HC003289  307 1 <dec> (Def) 308 309	

HifiManCmd\_upload\_LCU\_patches\_flight\_ops  
 File: H\_FCP\_HIF\_CUPM.xls  
 Author: R. Biggins



Step No.	Time	Activity/Remarks	TC/TLM	Display/ Branch
	ET=+ UT=+00.00.02	HIFI_load_LCU  HIFI_load_LCU  Command Parameter(s) : HIF_LCU_memstart           HP069197 HIF_LCU_memlen            HP070197 HIF_LCU_memdata           HP071197 HIF_memload_crc           HP222197  Subsch. ID : 70 Det. descr. : Load LCU RAM memory	HC003289  310 1 <dec> (Def) 311 312	
	ET=+ UT=+00.00.02	HIFI_load_LCU  HIFI_load_LCU  Command Parameter(s) : HIF_LCU_memstart           HP069197 HIF_LCU_memlen            HP070197 HIF_LCU_memdata           HP071197 HIF_memload_crc           HP222197  Subsch. ID : 70 Det. descr. : Load LCU RAM memory	HC003289  313 1 <dec> (Def) 314 315	
	ET=+ UT=+00.00.02	HIFI_load_LCU  HIFI_load_LCU  Command Parameter(s) : HIF_LCU_memstart           HP069197 HIF_LCU_memlen            HP070197 HIF_LCU_memdata           HP071197 HIF_memload_crc           HP222197  Subsch. ID : 70 Det. descr. : Load LCU RAM memory	HC003289  316 1 <dec> (Def) 317 318	
	ET=+ UT=+00.00.02	HIFI_load_LCU  HIFI_load_LCU  Command Parameter(s) : HIF_LCU_memstart           HP069197 HIF_LCU_memlen            HP070197 HIF_LCU_memdata           HP071197 HIF_memload_crc           HP222197  Subsch. ID : 70 Det. descr. : Load LCU RAM memory	HC003289  319 1 <dec> (Def) 320 321	
	ET=+ UT=+00.00.02	HIFI_load_LCU  HIFI_load_LCU  Command Parameter(s) : HIF_LCU_memstart           HP069197 HIF_LCU_memlen            HP070197 HIF_LCU_memdata           HP071197 HIF_memload_crc           HP222197  Subsch. ID : 70 Det. descr. : Load LCU RAM memory	HC003289  322 1 <dec> (Def) 323 324	

HifiManCmd\_upload\_LCU\_patches\_flight\_ops  
 File: H\_FCP\_HIF\_CUPM.xls  
 Author: R. Biggins



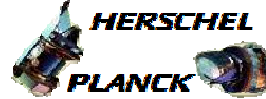
Step No.	Time	Activity/Remarks	TC/TLM	Display/ Branch
	ET=+ UT=+00.00.02	HIFI_load_LCU  HIFI_load_LCU  Command Parameter(s) : HIF_LCU_memstart           HP069197 HIF_LCU_memlen            HP070197 HIF_LCU_memdata           HP071197 HIF_memload_crc           HP222197  Subsch. ID : 70 Det. descr. : Load LCU RAM memory	HC003289   325 1 <dec> (Def) 326 327	
	ET=+ UT=+00.00.02	HIFI_load_LCU  HIFI_load_LCU  Command Parameter(s) : HIF_LCU_memstart           HP069197 HIF_LCU_memlen            HP070197 HIF_LCU_memdata           HP071197 HIF_memload_crc           HP222197  Subsch. ID : 70 Det. descr. : Load LCU RAM memory	HC003289   328 1 <dec> (Def) 329 330	
	ET=+ UT=+00.00.02	HIFI_load_LCU  HIFI_load_LCU  Command Parameter(s) : HIF_LCU_memstart           HP069197 HIF_LCU_memlen            HP070197 HIF_LCU_memdata           HP071197 HIF_memload_crc           HP222197  Subsch. ID : 70 Det. descr. : Load LCU RAM memory	HC003289   331 1 <dec> (Def) 332 333	
	ET=+ UT=+00.00.02	HIFI_load_LCU  HIFI_load_LCU  Command Parameter(s) : HIF_LCU_memstart           HP069197 HIF_LCU_memlen            HP070197 HIF_LCU_memdata           HP071197 HIF_memload_crc           HP222197  Subsch. ID : 70 Det. descr. : Load LCU RAM memory	HC003289   334 1 <dec> (Def) 335 336	
	ET=+ UT=+00.00.02	HIFI_load_LCU  HIFI_load_LCU  Command Parameter(s) : HIF_LCU_memstart           HP069197 HIF_LCU_memlen            HP070197 HIF_LCU_memdata           HP071197 HIF_memload_crc           HP222197  Subsch. ID : 70 Det. descr. : Load LCU RAM memory	HC003289   337 1 <dec> (Def) 338 339	

HifiManCmd\_upload\_LCU\_patches\_flight\_ops  
 File: H\_FCP\_HIF\_CUPM.xls  
 Author: R. Biggins



Step No.	Time	Activity/Remarks	TC/TLM	Display/ Branch
	ET=+ UT=+00.00.02	HIFI_load_LCU  HIFI_load_LCU  Command Parameter(s) : HIF_LCU_memstart           HP069197 HIF_LCU_memlen            HP070197 HIF_LCU_memdata           HP071197 HIF_memload_crc           HP222197  Subsch. ID : 70 Det. descr. : Load LCU RAM memory	HC003289   340 1 <dec> (Def) 341 342	
	ET=+ UT=+00.00.02	HIFI_load_LCU  HIFI_load_LCU  Command Parameter(s) : HIF_LCU_memstart           HP069197 HIF_LCU_memlen            HP070197 HIF_LCU_memdata           HP071197 HIF_memload_crc           HP222197  Subsch. ID : 70 Det. descr. : Load LCU RAM memory	HC003289   343 1 <dec> (Def) 344 345	
	ET=+ UT=+00.00.02	HIFI_load_LCU  HIFI_load_LCU  Command Parameter(s) : HIF_LCU_memstart           HP069197 HIF_LCU_memlen            HP070197 HIF_LCU_memdata           HP071197 HIF_memload_crc           HP222197  Subsch. ID : 70 Det. descr. : Load LCU RAM memory	HC003289   346 1 <dec> (Def) 347 348	
	ET=+ UT=+00.00.02	HIFI_load_LCU  HIFI_load_LCU  Command Parameter(s) : HIF_LCU_memstart           HP069197 HIF_LCU_memlen            HP070197 HIF_LCU_memdata           HP071197 HIF_memload_crc           HP222197  Subsch. ID : 70 Det. descr. : Load LCU RAM memory	HC003289   349 1 <dec> (Def) 350 351	
	ET=+ UT=+00.00.02	HIFI_load_LCU  HIFI_load_LCU  Command Parameter(s) : HIF_LCU_memstart           HP069197 HIF_LCU_memlen            HP070197 HIF_LCU_memdata           HP071197 HIF_memload_crc           HP222197  Subsch. ID : 70 Det. descr. : Load LCU RAM memory	HC003289   352 1 <dec> (Def) 353 354	

HifiManCmd\_upload\_LCU\_patches\_flight\_ops  
 File: H\_FCP\_HIF\_CUPM.xls  
 Author: R. Biggins



Step No.	Time	Activity/Remarks	TC/TLM	Display/ Branch
	ET=+ UT=+00.00.02	HIFI_load_LCU  HIFI_load_LCU  Command Parameter(s) : HIF_LCU_memstart           HP069197 HIF_LCU_memlen            HP070197 HIF_LCU_memdata           HP071197 HIF_memload_crc           HP222197  Subsch. ID : 70 Det. descr. : Load LCU RAM memory	HC003289  355 1 <dec> (Def) 356 357	
	ET=+ UT=+00.00.02	HIFI_load_LCU  HIFI_load_LCU  Command Parameter(s) : HIF_LCU_memstart           HP069197 HIF_LCU_memlen            HP070197 HIF_LCU_memdata           HP071197 HIF_memload_crc           HP222197  Subsch. ID : 70 Det. descr. : Load LCU RAM memory	HC003289  358 1 <dec> (Def) 359 360	
	ET=+ UT=+00.00.02	HIFI_load_LCU  HIFI_load_LCU  Command Parameter(s) : HIF_LCU_memstart           HP069197 HIF_LCU_memlen            HP070197 HIF_LCU_memdata           HP071197 HIF_memload_crc           HP222197  Subsch. ID : 70 Det. descr. : Load LCU RAM memory	HC003289  361 1 <dec> (Def) 362 363	
	ET=+ UT=+00.00.02	HIFI_load_LCU  HIFI_load_LCU  Command Parameter(s) : HIF_LCU_memstart           HP069197 HIF_LCU_memlen            HP070197 HIF_LCU_memdata           HP071197 HIF_memload_crc           HP222197  Subsch. ID : 70 Det. descr. : Load LCU RAM memory	HC003289  364 1 <dec> (Def) 365 366	
	ET=+ UT=+00.00.02	HIFI_load_LCU  HIFI_load_LCU  Command Parameter(s) : HIF_LCU_memstart           HP069197 HIF_LCU_memlen            HP070197 HIF_LCU_memdata           HP071197 HIF_memload_crc           HP222197  Subsch. ID : 70 Det. descr. : Load LCU RAM memory	HC003289  367 1 <dec> (Def) 368 369	

HifiManCmd\_upload\_LCU\_patches\_flight\_ops  
 File: H\_FCP\_HIF\_CUPM.xls  
 Author: R. Biggins



Step No.	Time	Activity/Remarks	TC/TLM	Display/ Branch
	ET=+ UT=+00.00.02	HIFI_load_LCU  HIFI_load_LCU  Command Parameter(s) : HIF_LCU_memstart           HP069197 HIF_LCU_memlen            HP070197 HIF_LCU_memdata           HP071197 HIF_memload_crc           HP222197  Subsch. ID : 70 Det. descr. : Load LCU RAM memory	HC003289  370 1 <dec> (Def) 371 372	
	ET=+ UT=+00.00.02	HIFI_load_LCU  HIFI_load_LCU  Command Parameter(s) : HIF_LCU_memstart           HP069197 HIF_LCU_memlen            HP070197 HIF_LCU_memdata           HP071197 HIF_memload_crc           HP222197  Subsch. ID : 70 Det. descr. : Load LCU RAM memory	HC003289  373 1 <dec> (Def) 374 375	
	ET=+ UT=+00.00.02	HIFI_load_LCU  HIFI_load_LCU  Command Parameter(s) : HIF_LCU_memstart           HP069197 HIF_LCU_memlen            HP070197 HIF_LCU_memdata           HP071197 HIF_memload_crc           HP222197  Subsch. ID : 70 Det. descr. : Load LCU RAM memory	HC003289  376 1 <dec> (Def) 377 378	
	ET=+ UT=+00.00.02	HIFI_load_LCU  HIFI_load_LCU  Command Parameter(s) : HIF_LCU_memstart           HP069197 HIF_LCU_memlen            HP070197 HIF_LCU_memdata           HP071197 HIF_memload_crc           HP222197  Subsch. ID : 70 Det. descr. : Load LCU RAM memory	HC003289  379 1 <dec> (Def) 380 381	
	ET=+ UT=+00.00.02	HIFI_load_LCU  HIFI_load_LCU  Command Parameter(s) : HIF_LCU_memstart           HP069197 HIF_LCU_memlen            HP070197 HIF_LCU_memdata           HP071197 HIF_memload_crc           HP222197  Subsch. ID : 70 Det. descr. : Load LCU RAM memory	HC003289  382 1 <dec> (Def) 383 384	

HifiManCmd\_upload\_LCU\_patches\_flight\_ops  
 File: H\_FCP\_HIF\_CUPM.xls  
 Author: R. Biggins



Step No.	Time	Activity/Remarks	TC/TLM	Display/ Branch
	ET=+ UT=+00.00.02	HIFI_load_LCU  HIFI_load_LCU  Command Parameter(s) : HIF_LCU_memstart           HP069197 HIF_LCU_memlen            HP070197 HIF_LCU_memdata           HP071197 HIF_memload_crc           HP222197  Subsch. ID : 70 Det. descr. : Load LCU RAM memory	HC003289  385 1 <dec> (Def) 386 387	
	ET=+ UT=+00.00.02	HIFI_load_LCU  HIFI_load_LCU  Command Parameter(s) : HIF_LCU_memstart           HP069197 HIF_LCU_memlen            HP070197 HIF_LCU_memdata           HP071197 HIF_memload_crc           HP222197  Subsch. ID : 70 Det. descr. : Load LCU RAM memory	HC003289  388 1 <dec> (Def) 389 390	
	ET=+ UT=+00.00.02	HIFI_load_LCU  HIFI_load_LCU  Command Parameter(s) : HIF_LCU_memstart           HP069197 HIF_LCU_memlen            HP070197 HIF_LCU_memdata           HP071197 HIF_memload_crc           HP222197  Subsch. ID : 70 Det. descr. : Load LCU RAM memory	HC003289  391 1 <dec> (Def) 392 393	
	ET=+ UT=+00.00.02	HIFI_load_LCU  HIFI_load_LCU  Command Parameter(s) : HIF_LCU_memstart           HP069197 HIF_LCU_memlen            HP070197 HIF_LCU_memdata           HP071197 HIF_memload_crc           HP222197  Subsch. ID : 70 Det. descr. : Load LCU RAM memory	HC003289  394 1 <dec> (Def) 395 396	
	ET=+ UT=+00.00.02	HIFI_load_LCU  HIFI_load_LCU  Command Parameter(s) : HIF_LCU_memstart           HP069197 HIF_LCU_memlen            HP070197 HIF_LCU_memdata           HP071197 HIF_memload_crc           HP222197  Subsch. ID : 70 Det. descr. : Load LCU RAM memory	HC003289  397 1 <dec> (Def) 398 399	



HifiManCmd\_upload\_LCU\_patches\_flight\_ops  
 File: H\_FCP\_HIF\_CUPM.xls  
 Author: R. Biggins



Step No.	Time	Activity/Remarks	TC/TLM	Display/ Branch
	ET=+ UT=+00.00.02	HIFI_load_LCU  HIFI_load_LCU  Command Parameter(s) : HIF_LCU_memstart           HP069197 HIF_LCU_memlen            HP070197 HIF_LCU_memdata           HP071197 HIF_memload_crc           HP222197  Subsch. ID : 70 Det. descr. : Load LCU RAM memory	HC003289  400 1 <dec> (Def) 401 402	
	ET=+ UT=+00.00.02	HIFI_load_LCU  HIFI_load_LCU  Command Parameter(s) : HIF_LCU_memstart           HP069197 HIF_LCU_memlen            HP070197 HIF_LCU_memdata           HP071197 HIF_memload_crc           HP222197  Subsch. ID : 70 Det. descr. : Load LCU RAM memory	HC003289  403 1 <dec> (Def) 404 405	
	ET=+ UT=+00.00.02	HIFI_load_LCU  HIFI_load_LCU  Command Parameter(s) : HIF_LCU_memstart           HP069197 HIF_LCU_memlen            HP070197 HIF_LCU_memdata           HP071197 HIF_memload_crc           HP222197  Subsch. ID : 70 Det. descr. : Load LCU RAM memory	HC003289  406 1 <dec> (Def) 407 408	
	ET=+ UT=+00.00.02	HIFI_load_LCU  HIFI_load_LCU  Command Parameter(s) : HIF_LCU_memstart           HP069197 HIF_LCU_memlen            HP070197 HIF_LCU_memdata           HP071197 HIF_memload_crc           HP222197  Subsch. ID : 70 Det. descr. : Load LCU RAM memory	HC003289  409 1 <dec> (Def) 410 411	
	ET=+ UT=+00.00.02	HIFI_load_LCU  HIFI_load_LCU  Command Parameter(s) : HIF_LCU_memstart           HP069197 HIF_LCU_memlen            HP070197 HIF_LCU_memdata           HP071197 HIF_memload_crc           HP222197  Subsch. ID : 70 Det. descr. : Load LCU RAM memory	HC003289  412 1 <dec> (Def) 413 414	

HifiManCmd\_upload\_LCU\_patches\_flight\_ops  
 File: H\_FCP\_HIF\_CUPM.xls  
 Author: R. Biggins



Step No.	Time	Activity/Remarks	TC/TLM	Display/ Branch
	ET=+ UT=+00.00.02	HIFI_load_LCU  HIFI_load_LCU  Command Parameter(s) : HIF_LCU_memstart           HP069197 HIF_LCU_memlen            HP070197 HIF_LCU_memdata           HP071197 HIF_memload_crc           HP222197  Subsch. ID : 70 Det. descr. : Load LCU RAM memory	HC003289  415 1 <dec> (Def) 416 417	
	ET=+ UT=+00.00.02	HIFI_load_LCU  HIFI_load_LCU  Command Parameter(s) : HIF_LCU_memstart           HP069197 HIF_LCU_memlen            HP070197 HIF_LCU_memdata           HP071197 HIF_memload_crc           HP222197  Subsch. ID : 70 Det. descr. : Load LCU RAM memory	HC003289  418 1 <dec> (Def) 419 420	
	ET=+ UT=+00.00.02	HIFI_load_LCU  HIFI_load_LCU  Command Parameter(s) : HIF_LCU_memstart           HP069197 HIF_LCU_memlen            HP070197 HIF_LCU_memdata           HP071197 HIF_memload_crc           HP222197  Subsch. ID : 70 Det. descr. : Load LCU RAM memory	HC003289  421 1 <dec> (Def) 422 423	
	ET=+ UT=+00.00.02	HIFI_load_LCU  HIFI_load_LCU  Command Parameter(s) : HIF_LCU_memstart           HP069197 HIF_LCU_memlen            HP070197 HIF_LCU_memdata           HP071197 HIF_memload_crc           HP222197  Subsch. ID : 70 Det. descr. : Load LCU RAM memory	HC003289  424 1 <dec> (Def) 425 426	
	ET=+ UT=+00.00.02	HIFI_load_LCU  HIFI_load_LCU  Command Parameter(s) : HIF_LCU_memstart           HP069197 HIF_LCU_memlen            HP070197 HIF_LCU_memdata           HP071197 HIF_memload_crc           HP222197  Subsch. ID : 70 Det. descr. : Load LCU RAM memory	HC003289  427 1 <dec> (Def) 428 429	

HifiManCmd\_upload\_LCU\_patches\_flight\_ops  
 File: H\_FCP\_HIF\_CUPM.xls  
 Author: R. Biggins



Step No.	Time	Activity/Remarks	TC/TLM	Display/ Branch
	ET=+ UT=+00.00.02	HIFI_load_LCU  HIFI_load_LCU  Command Parameter(s) : HIF_LCU_memstart           HP069197 HIF_LCU_memlen            HP070197 HIF_LCU_memdata           HP071197 HIF_memload_crc           HP222197  Subsch. ID : 70 Det. descr. : Load LCU RAM memory	HC003289  430 1 <dec> (Def) 431 432	
	ET=+ UT=+00.00.02	HIFI_load_LCU  HIFI_load_LCU  Command Parameter(s) : HIF_LCU_memstart           HP069197 HIF_LCU_memlen            HP070197 HIF_LCU_memdata           HP071197 HIF_memload_crc           HP222197  Subsch. ID : 70 Det. descr. : Load LCU RAM memory	HC003289  433 1 <dec> (Def) 434 435	
	ET=+ UT=+00.00.02	HIFI_load_LCU  HIFI_load_LCU  Command Parameter(s) : HIF_LCU_memstart           HP069197 HIF_LCU_memlen            HP070197 HIF_LCU_memdata           HP071197 HIF_memload_crc           HP222197  Subsch. ID : 70 Det. descr. : Load LCU RAM memory	HC003289  436 1 <dec> (Def) 437 438	
	ET=+ UT=+00.00.02	HIFI_load_LCU  HIFI_load_LCU  Command Parameter(s) : HIF_LCU_memstart           HP069197 HIF_LCU_memlen            HP070197 HIF_LCU_memdata           HP071197 HIF_memload_crc           HP222197  Subsch. ID : 70 Det. descr. : Load LCU RAM memory	HC003289  439 1 <dec> (Def) 440 441	
	ET=+ UT=+00.00.02	HIFI_load_LCU  HIFI_load_LCU  Command Parameter(s) : HIF_LCU_memstart           HP069197 HIF_LCU_memlen            HP070197 HIF_LCU_memdata           HP071197 HIF_memload_crc           HP222197  Subsch. ID : 70 Det. descr. : Load LCU RAM memory	HC003289  442 1 <dec> (Def) 443 444	

HifiManCmd\_upload\_LCU\_patches\_flight\_ops  
 File: H\_FCP\_HIF\_CUPM.xls  
 Author: R. Biggins



Step No.	Time	Activity/Remarks	TC/TLM	Display/ Branch
	ET=+ UT=+00.00.02	HIFI_load_LCU  HIFI_load_LCU  Command Parameter(s) : HIF_LCU_memstart           HP069197 HIF_LCU_memlen            HP070197 HIF_LCU_memdata           HP071197 HIF_memload_crc           HP222197  Subsch. ID : 70 Det. descr. : Load LCU RAM memory	HC003289  445 1 <dec> (Def) 446 447	
	ET=+ UT=+00.00.02	HIFI_load_LCU  HIFI_load_LCU  Command Parameter(s) : HIF_LCU_memstart           HP069197 HIF_LCU_memlen            HP070197 HIF_LCU_memdata           HP071197 HIF_memload_crc           HP222197  Subsch. ID : 70 Det. descr. : Load LCU RAM memory	HC003289  448 1 <dec> (Def) 449 450	
	ET=+ UT=+00.00.02	HIFI_load_LCU  HIFI_load_LCU  Command Parameter(s) : HIF_LCU_memstart           HP069197 HIF_LCU_memlen            HP070197 HIF_LCU_memdata           HP071197 HIF_memload_crc           HP222197  Subsch. ID : 70 Det. descr. : Load LCU RAM memory	HC003289  451 1 <dec> (Def) 452 453	
	ET=+ UT=+00.00.02	HIFI_load_LCU  HIFI_load_LCU  Command Parameter(s) : HIF_LCU_memstart           HP069197 HIF_LCU_memlen            HP070197 HIF_LCU_memdata           HP071197 HIF_memload_crc           HP222197  Subsch. ID : 70 Det. descr. : Load LCU RAM memory	HC003289  454 1 <dec> (Def) 455 456	
	ET=+ UT=+00.00.02	HIFI_load_LCU  HIFI_load_LCU  Command Parameter(s) : HIF_LCU_memstart           HP069197 HIF_LCU_memlen            HP070197 HIF_LCU_memdata           HP071197 HIF_memload_crc           HP222197  Subsch. ID : 70 Det. descr. : Load LCU RAM memory	HC003289  457 1 <dec> (Def) 458 459	

HifiManCmd\_upload\_LCU\_patches\_flight\_ops  
 File: H\_FCP\_HIF\_CUPM.xls  
 Author: R. Biggins



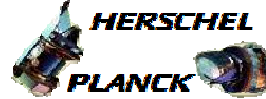
Step No.	Time	Activity/Remarks	TC/TLM	Display/ Branch
	ET=+ UT=+00.00.02	HIFI_load_LCU  HIFI_load_LCU  Command Parameter(s) : HIF_LCU_memstart           HP069197 HIF_LCU_memlen            HP070197 HIF_LCU_memdata           HP071197 HIF_memload_crc           HP222197  Subsch. ID : 70 Det. descr. : Load LCU RAM memory	HC003289  460 1 <dec> (Def) 461 462	
	ET=+ UT=+00.00.02	HIFI_load_LCU  HIFI_load_LCU  Command Parameter(s) : HIF_LCU_memstart           HP069197 HIF_LCU_memlen            HP070197 HIF_LCU_memdata           HP071197 HIF_memload_crc           HP222197  Subsch. ID : 70 Det. descr. : Load LCU RAM memory	HC003289  463 1 <dec> (Def) 464 465	
	ET=+ UT=+00.00.02	HIFI_load_LCU  HIFI_load_LCU  Command Parameter(s) : HIF_LCU_memstart           HP069197 HIF_LCU_memlen            HP070197 HIF_LCU_memdata           HP071197 HIF_memload_crc           HP222197  Subsch. ID : 70 Det. descr. : Load LCU RAM memory	HC003289  466 1 <dec> (Def) 467 468	
	ET=+ UT=+00.00.02	HIFI_load_LCU  HIFI_load_LCU  Command Parameter(s) : HIF_LCU_memstart           HP069197 HIF_LCU_memlen            HP070197 HIF_LCU_memdata           HP071197 HIF_memload_crc           HP222197  Subsch. ID : 70 Det. descr. : Load LCU RAM memory	HC003289  469 1 <dec> (Def) 470 471	
	ET=+ UT=+00.00.02	HIFI_load_LCU  HIFI_load_LCU  Command Parameter(s) : HIF_LCU_memstart           HP069197 HIF_LCU_memlen            HP070197 HIF_LCU_memdata           HP071197 HIF_memload_crc           HP222197  Subsch. ID : 70 Det. descr. : Load LCU RAM memory	HC003289  472 1 <dec> (Def) 473 474	

HifiManCmd\_upload\_LCU\_patches\_flight\_ops  
 File: H\_FCP\_HIF\_CUPM.xls  
 Author: R. Biggins



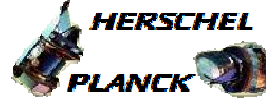
Step No.	Time	Activity/Remarks	TC/TLM	Display/ Branch
	ET=+ UT=+00.00.02	HIFI_load_LCU  HIFI_load_LCU  Command Parameter(s) : HIF_LCU_memstart           HP069197 HIF_LCU_memlen            HP070197 HIF_LCU_memdata           HP071197 HIF_memload_crc           HP222197  Subsch. ID : 70 Det. descr. : Load LCU RAM memory	HC003289  475 1 <dec> (Def) 476 477	
	ET=+ UT=+00.00.02	HIFI_load_LCU  HIFI_load_LCU  Command Parameter(s) : HIF_LCU_memstart           HP069197 HIF_LCU_memlen            HP070197 HIF_LCU_memdata           HP071197 HIF_memload_crc           HP222197  Subsch. ID : 70 Det. descr. : Load LCU RAM memory	HC003289  478 1 <dec> (Def) 479 480	
	ET=+ UT=+00.00.02	HIFI_load_LCU  HIFI_load_LCU  Command Parameter(s) : HIF_LCU_memstart           HP069197 HIF_LCU_memlen            HP070197 HIF_LCU_memdata           HP071197 HIF_memload_crc           HP222197  Subsch. ID : 70 Det. descr. : Load LCU RAM memory	HC003289  481 1 <dec> (Def) 482 483	
	ET=+ UT=+00.00.02	HIFI_load_LCU  HIFI_load_LCU  Command Parameter(s) : HIF_LCU_memstart           HP069197 HIF_LCU_memlen            HP070197 HIF_LCU_memdata           HP071197 HIF_memload_crc           HP222197  Subsch. ID : 70 Det. descr. : Load LCU RAM memory	HC003289  484 1 <dec> (Def) 485 486	
	ET=+ UT=+00.00.02	HIFI_load_LCU  HIFI_load_LCU  Command Parameter(s) : HIF_LCU_memstart           HP069197 HIF_LCU_memlen            HP070197 HIF_LCU_memdata           HP071197 HIF_memload_crc           HP222197  Subsch. ID : 70 Det. descr. : Load LCU RAM memory	HC003289  487 1 <dec> (Def) 488 489	

HifiManCmd\_upload\_LCU\_patches\_flight\_ops  
 File: H\_FCP\_HIF\_CUPM.xls  
 Author: R. Biggins



Step No.	Time	Activity/Remarks	TC/TLM	Display/ Branch
	ET=+ UT=+00.00.02	HIFI_load_LCU  HIFI_load_LCU  Command Parameter(s) : HIF_LCU_memstart           HP069197 HIF_LCU_memlen            HP070197 HIF_LCU_memdata           HP071197 HIF_memload_crc           HP222197  Subsch. ID : 70 Det. descr. : Load LCU RAM memory	HC003289  490 1 <dec> (Def) 491 492	
	ET=+ UT=+00.00.02	HIFI_load_LCU  HIFI_load_LCU  Command Parameter(s) : HIF_LCU_memstart           HP069197 HIF_LCU_memlen            HP070197 HIF_LCU_memdata           HP071197 HIF_memload_crc           HP222197  Subsch. ID : 70 Det. descr. : Load LCU RAM memory	HC003289  493 1 <dec> (Def) 494 495	
	ET=+ UT=+00.00.02	HIFI_load_LCU  HIFI_load_LCU  Command Parameter(s) : HIF_LCU_memstart           HP069197 HIF_LCU_memlen            HP070197 HIF_LCU_memdata           HP071197 HIF_memload_crc           HP222197  Subsch. ID : 70 Det. descr. : Load LCU RAM memory	HC003289  496 1 <dec> (Def) 497 498	
	ET=+ UT=+00.00.02	HIFI_load_LCU  HIFI_load_LCU  Command Parameter(s) : HIF_LCU_memstart           HP069197 HIF_LCU_memlen            HP070197 HIF_LCU_memdata           HP071197 HIF_memload_crc           HP222197  Subsch. ID : 70 Det. descr. : Load LCU RAM memory	HC003289  499 1 <dec> (Def) 500 501	
	ET=+ UT=+00.00.02	HIFI_load_LCU  HIFI_load_LCU  Command Parameter(s) : HIF_LCU_memstart           HP069197 HIF_LCU_memlen            HP070197 HIF_LCU_memdata           HP071197 HIF_memload_crc           HP222197  Subsch. ID : 70 Det. descr. : Load LCU RAM memory	HC003289  502 1 <dec> (Def) 503 504	

HifiManCmd\_upload\_LCU\_patches\_flight\_ops  
 File: H\_FCP\_HIF\_CUPM.xls  
 Author: R. Biggins



Step No.	Time	Activity/Remarks	TC/TLM	Display/ Branch
	ET=+ UT=+00.00.02	HIFI_load_LCU  HIFI_load_LCU  Command Parameter(s) : HIF_LCU_memstart           HP069197 HIF_LCU_memlen            HP070197 HIF_LCU_memdata           HP071197 HIF_memload_crc           HP222197  Subsch. ID : 70 Det. descr. : Load LCU RAM memory	HC003289  505 1 <dec> (Def) 506 507	
	ET=+ UT=+00.00.02	HIFI_load_LCU  HIFI_load_LCU  Command Parameter(s) : HIF_LCU_memstart           HP069197 HIF_LCU_memlen            HP070197 HIF_LCU_memdata           HP071197 HIF_memload_crc           HP222197  Subsch. ID : 70 Det. descr. : Load LCU RAM memory	HC003289  508 1 <dec> (Def) 509 510	
	ET=+ UT=+00.00.02	HIFI_load_LCU  HIFI_load_LCU  Command Parameter(s) : HIF_LCU_memstart           HP069197 HIF_LCU_memlen            HP070197 HIF_LCU_memdata           HP071197 HIF_memload_crc           HP222197  Subsch. ID : 70 Det. descr. : Load LCU RAM memory	HC003289  511 1 <dec> (Def) 512 513	
	ET=+ UT=+00.00.02	HIFI_load_LCU  HIFI_load_LCU  Command Parameter(s) : HIF_LCU_memstart           HP069197 HIF_LCU_memlen            HP070197 HIF_LCU_memdata           HP071197 HIF_memload_crc           HP222197  Subsch. ID : 70 Det. descr. : Load LCU RAM memory	HC003289  514 1 <dec> (Def) 515 516	
	ET=+ UT=+00.00.02	HIFI_load_LCU  HIFI_load_LCU  Command Parameter(s) : HIF_LCU_memstart           HP069197 HIF_LCU_memlen            HP070197 HIF_LCU_memdata           HP071197 HIF_memload_crc           HP222197  Subsch. ID : 70 Det. descr. : Load LCU RAM memory	HC003289  517 1 <dec> (Def) 518 519	



HifiManCmd\_upload\_LCU\_patches\_flight\_ops  
 File: H\_FCP\_HIF\_CUPM.xls  
 Author: R. Biggins



Step No.	Time	Activity/Remarks	TC/TLM	Display/ Branch
	ET=+ UT=+00.00.02	HIFI_load_LCU  HIFI_load_LCU  Command Parameter(s) : HIF_LCU_memstart           HP069197 HIF_LCU_memlen            HP070197 HIF_LCU_memdata           HP071197 HIF_memload_crc           HP222197  Subsch. ID : 70 Det. descr. : Load LCU RAM memory	HC003289  520 1 <dec> (Def) 521 522	
	ET=+ UT=+00.00.02	HIFI_load_LCU  HIFI_load_LCU  Command Parameter(s) : HIF_LCU_memstart           HP069197 HIF_LCU_memlen            HP070197 HIF_LCU_memdata           HP071197 HIF_memload_crc           HP222197  Subsch. ID : 70 Det. descr. : Load LCU RAM memory	HC003289  523 1 <dec> (Def) 524 525	
	ET=+ UT=+00.00.02	HIFI_load_LCU  HIFI_load_LCU  Command Parameter(s) : HIF_LCU_memstart           HP069197 HIF_LCU_memlen            HP070197 HIF_LCU_memdata           HP071197 HIF_memload_crc           HP222197  Subsch. ID : 70 Det. descr. : Load LCU RAM memory	HC003289  526 1 <dec> (Def) 527 528	
	ET=+ UT=+00.00.02	HIFI_load_LCU  HIFI_load_LCU  Command Parameter(s) : HIF_LCU_memstart           HP069197 HIF_LCU_memlen            HP070197 HIF_LCU_memdata           HP071197 HIF_memload_crc           HP222197  Subsch. ID : 70 Det. descr. : Load LCU RAM memory	HC003289  529 1 <dec> (Def) 530 531	
	ET=+ UT=+00.00.02	HIFI_load_LCU  HIFI_load_LCU  Command Parameter(s) : HIF_LCU_memstart           HP069197 HIF_LCU_memlen            HP070197 HIF_LCU_memdata           HP071197 HIF_memload_crc           HP222197  Subsch. ID : 70 Det. descr. : Load LCU RAM memory	HC003289  532 1 <dec> (Def) 533 534	

HifiManCmd\_upload\_LCU\_patches\_flight\_ops  
 File: H\_FCP\_HIF\_CUPM.xls  
 Author: R. Biggins



Step No.	Time	Activity/Remarks	TC/TLM	Display/ Branch
	ET=+ UT=+00.00.02	HIFI_load_LCU  HIFI_load_LCU  Command Parameter(s) : HIF_LCU_memstart           HP069197 HIF_LCU_memlen            HP070197 HIF_LCU_memdata          HP071197 HIF_memload_crc          HP222197  Subsch. ID : 70 Det. descr. : Load LCU RAM memory	HC003289  535 1 <dec> (Def) 536 537	
	ET=+ UT=+00.00.02	HIFI_load_LCU  HIFI_load_LCU  Command Parameter(s) : HIF_LCU_memstart           HP069197 HIF_LCU_memlen            HP070197 HIF_LCU_memdata          HP071197 HIF_memload_crc          HP222197  Subsch. ID : 70 Det. descr. : Load LCU RAM memory	HC003289  538 1 <dec> (Def) 539 540	
	ET=+ UT=+00.00.02	HIFI_load_LCU  HIFI_load_LCU  Command Parameter(s) : HIF_LCU_memstart           HP069197 HIF_LCU_memlen            HP070197 HIF_LCU_memdata          HP071197 HIF_memload_crc          HP222197  Subsch. ID : 70 Det. descr. : Load LCU RAM memory	HC003289  541 1 <dec> (Def) 542 543	
	ET=+ UT=+00.00.02	HIFI_load_LCU  HIFI_load_LCU  Command Parameter(s) : HIF_LCU_memstart           HP069197 HIF_LCU_memlen            HP070197 HIF_LCU_memdata          HP071197 HIF_memload_crc          HP222197  Subsch. ID : 70 Det. descr. : Load LCU RAM memory	HC003289  544 1 <dec> (Def) 545 546	
	ET=+ UT=+00.00.02	HIFI_load_LCU  HIFI_load_LCU  Command Parameter(s) : HIF_LCU_memstart           HP069197 HIF_LCU_memlen            HP070197 HIF_LCU_memdata          HP071197 HIF_memload_crc          HP222197  Subsch. ID : 70 Det. descr. : Load LCU RAM memory	HC003289  547 1 <dec> (Def) 548 549	

HifiManCmd\_upload\_LCU\_patches\_flight\_ops  
 File: H\_FCP\_HIF\_CUPM.xls  
 Author: R. Biggins



Step No.	Time	Activity/Remarks	TC/TLM	Display/ Branch
	ET=+ UT=+00.00.02	HIFI_load_LCU  HIFI_load_LCU  Command Parameter(s) : HIF_LCU_memstart           HP069197 HIF_LCU_memlen            HP070197 HIF_LCU_memdata           HP071197 HIF_memload_crc           HP222197  Subsch. ID : 70 Det. descr. : Load LCU RAM memory	HC003289  550 1 <dec> (Def) 551 552	
	ET=+ UT=+00.00.02	HIFI_load_LCU  HIFI_load_LCU  Command Parameter(s) : HIF_LCU_memstart           HP069197 HIF_LCU_memlen            HP070197 HIF_LCU_memdata           HP071197 HIF_memload_crc           HP222197  Subsch. ID : 70 Det. descr. : Load LCU RAM memory	HC003289  553 1 <dec> (Def) 554 555	
	ET=+ UT=+00.00.02	HIFI_load_LCU  HIFI_load_LCU  Command Parameter(s) : HIF_LCU_memstart           HP069197 HIF_LCU_memlen            HP070197 HIF_LCU_memdata           HP071197 HIF_memload_crc           HP222197  Subsch. ID : 70 Det. descr. : Load LCU RAM memory	HC003289  556 1 <dec> (Def) 557 558	
	ET=+ UT=+00.00.02	HIFI_load_LCU  HIFI_load_LCU  Command Parameter(s) : HIF_LCU_memstart           HP069197 HIF_LCU_memlen            HP070197 HIF_LCU_memdata           HP071197 HIF_memload_crc           HP222197  Subsch. ID : 70 Det. descr. : Load LCU RAM memory	HC003289  559 1 <dec> (Def) 560 561	
	ET=+ UT=+00.00.02	HIFI_load_LCU  HIFI_load_LCU  Command Parameter(s) : HIF_LCU_memstart           HP069197 HIF_LCU_memlen            HP070197 HIF_LCU_memdata           HP071197 HIF_memload_crc           HP222197  Subsch. ID : 70 Det. descr. : Load LCU RAM memory	HC003289  562 1 <dec> (Def) 563 564	

HifiManCmd\_upload\_LCU\_patches\_flight\_ops  
 File: H\_FCP\_HIF\_CUPM.xls  
 Author: R. Biggins



Step No.	Time	Activity/Remarks	TC/TLM	Display/ Branch
	ET=+ UT=+00.00.02	HIFI_load_LCU  HIFI_load_LCU  Command Parameter(s) : HIF_LCU_memstart           HP069197 HIF_LCU_memlen            HP070197 HIF_LCU_memdata           HP071197 HIF_memload_crc           HP222197  Subsch. ID : 70 Det. descr. : Load LCU RAM memory	HC003289  565 1 <dec> (Def) 566 567	
	ET=+ UT=+00.00.02	HIFI_load_LCU  HIFI_load_LCU  Command Parameter(s) : HIF_LCU_memstart           HP069197 HIF_LCU_memlen            HP070197 HIF_LCU_memdata           HP071197 HIF_memload_crc           HP222197  Subsch. ID : 70 Det. descr. : Load LCU RAM memory	HC003289  568 1 <dec> (Def) 569 570	
	ET=+ UT=+00.00.02	HIFI_load_LCU  HIFI_load_LCU  Command Parameter(s) : HIF_LCU_memstart           HP069197 HIF_LCU_memlen            HP070197 HIF_LCU_memdata           HP071197 HIF_memload_crc           HP222197  Subsch. ID : 70 Det. descr. : Load LCU RAM memory	HC003289  571 1 <dec> (Def) 572 573	
	ET=+ UT=+00.00.02	HIFI_load_LCU  HIFI_load_LCU  Command Parameter(s) : HIF_LCU_memstart           HP069197 HIF_LCU_memlen            HP070197 HIF_LCU_memdata           HP071197 HIF_memload_crc           HP222197  Subsch. ID : 70 Det. descr. : Load LCU RAM memory	HC003289  574 1 <dec> (Def) 575 576	
	ET=+ UT=+00.00.02	HIFI_load_LCU  HIFI_load_LCU  Command Parameter(s) : HIF_LCU_memstart           HP069197 HIF_LCU_memlen            HP070197 HIF_LCU_memdata           HP071197 HIF_memload_crc           HP222197  Subsch. ID : 70 Det. descr. : Load LCU RAM memory	HC003289  577 1 <dec> (Def) 578 579	

HifiManCmd\_upload\_LCU\_patches\_flight\_ops  
 File: H\_FCP\_HIF\_CUPM.xls  
 Author: R. Biggins



Step No.	Time	Activity/Remarks	TC/TLM	Display/ Branch
	ET=+ UT=+00.00.02	HIFI_load_LCU  HIFI_load_LCU  Command Parameter(s) : HIF_LCU_memstart           HP069197 HIF_LCU_memlen            HP070197 HIF_LCU_memdata           HP071197 HIF_memload_crc           HP222197  Subsch. ID : 70 Det. descr. : Load LCU RAM memory	HC003289  580 1 <dec> (Def) 581 582	
	ET=+ UT=+00.00.02	HIFI_load_LCU  HIFI_load_LCU  Command Parameter(s) : HIF_LCU_memstart           HP069197 HIF_LCU_memlen            HP070197 HIF_LCU_memdata           HP071197 HIF_memload_crc           HP222197  Subsch. ID : 70 Det. descr. : Load LCU RAM memory	HC003289  583 1 <dec> (Def) 584 585	
	ET=+ UT=+00.00.02	HIFI_load_LCU  HIFI_load_LCU  Command Parameter(s) : HIF_LCU_memstart           HP069197 HIF_LCU_memlen            HP070197 HIF_LCU_memdata           HP071197 HIF_memload_crc           HP222197  Subsch. ID : 70 Det. descr. : Load LCU RAM memory	HC003289  586 1 <dec> (Def) 587 588	
	ET=+ UT=+00.00.02	HIFI_load_LCU  HIFI_load_LCU  Command Parameter(s) : HIF_LCU_memstart           HP069197 HIF_LCU_memlen            HP070197 HIF_LCU_memdata           HP071197 HIF_memload_crc           HP222197  Subsch. ID : 70 Det. descr. : Load LCU RAM memory	HC003289  589 1 <dec> (Def) 590 591	
	ET=+ UT=+00.00.02	HIFI_load_LCU  HIFI_load_LCU  Command Parameter(s) : HIF_LCU_memstart           HP069197 HIF_LCU_memlen            HP070197 HIF_LCU_memdata           HP071197 HIF_memload_crc           HP222197  Subsch. ID : 70 Det. descr. : Load LCU RAM memory	HC003289  592 1 <dec> (Def) 593 594	

HifiManCmd\_upload\_LCU\_patches\_flight\_ops  
 File: H\_FCP\_HIF\_CUPM.xls  
 Author: R. Biggins



Step No.	Time	Activity/Remarks	TC/TLM	Display/ Branch
	ET=+ UT=+00.00.02	HIFI_load_LCU  HIFI_load_LCU  Command Parameter(s) : HIF_LCU_memstart           HP069197 HIF_LCU_memlen            HP070197 HIF_LCU_memdata           HP071197 HIF_memload_crc           HP222197  Subsch. ID : 70 Det. descr. : Load LCU RAM memory	HC003289  595 1 <dec> (Def) 596 597	
	ET=+ UT=+00.00.02	HIFI_load_LCU  HIFI_load_LCU  Command Parameter(s) : HIF_LCU_memstart           HP069197 HIF_LCU_memlen            HP070197 HIF_LCU_memdata           HP071197 HIF_memload_crc           HP222197  Subsch. ID : 70 Det. descr. : Load LCU RAM memory	HC003289  598 1 <dec> (Def) 599 600	
6		Set default OBSID/BBID		Next Step: END
	ET=+ UT=+00.00.01	HIFI_Set_OBS_ID  HIFI_Set_OBS_ID  Command Parameter(s) : HIFI_BB_ID                   HP001197 HIFI_OBS_ID                 HP000197  TC Control Flags :  GBM IL DSE --Y -- ---  Subsch. ID : 70 Det. descr. : Set Observation-ID and Building-Block-ID	HC014289  0 <hex> (Def) 0 <hex> (Def)	
		Verify Telemetry  BB_ID_per_hk            HM004190	= 0 <hex>	AND=ZAZ9C999
		Verify Telemetry  OBS_ID_per_hk         HM003190	= 0 <hex>	AND=ZAZ9C999
<b>End of Procedure</b>				