

HifiManCmdSetIntoDissipative_II - 6a
 File: H_FCP_HIF_2D6A.xls
 Author: R. Biggins



Procedure Summary

Objectives

The objective of this procedure is to set HIFI to dissipative (II) mode in band 6a

Based on procedure:
 HifiManCmdSetIntoDissipative_II (v1)

Summary of Constraints

n/a

Spacecraft Configuration

Start of Procedure

End of Procedure

Reference File(s)

Input Command Sequences

Output Command Sequences
 HFH2D6A

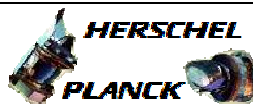
Referenced Displays

ANDs GRDs SLDs
 ZAZ9C999

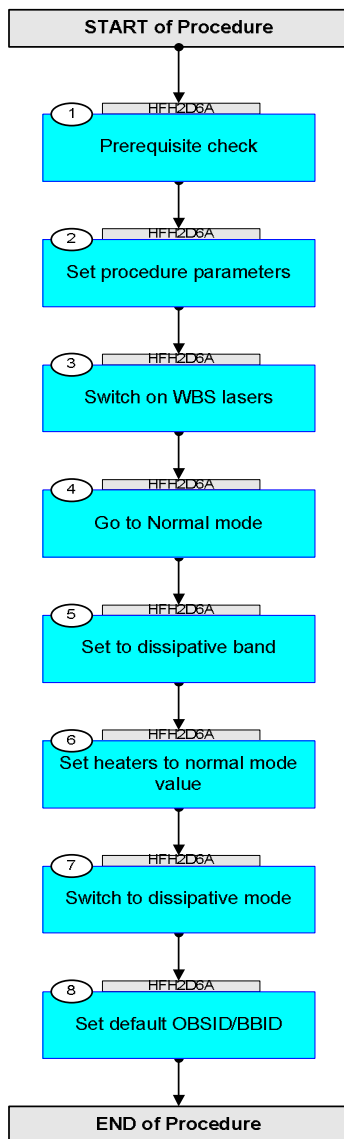
Configuration Control Information

| DATE | FOP ISSUE | VERSION | MODIFICATION DESCRIPTION | AUTHOR | SPR REF |
|------------|-----------|---------|---|------------|---------|
| 08/04/2010 | | 1 | Created | R. Biggins | |
| 09/04/2010 | 3 | 2 | TC to set dissipative band updated | R. Biggins | |
| 01/07/2010 | 3.1 | 2.01 | Validation : Editorial: Step 7: TM check for band corrected | R. Biggins | |

HifiManCmdSetIntoDissipative_II - 6a
File: H_FCP_HIF_2D6A.xls
Author: R. Biggins



Procedure Flowchart Overview



HifiManCmdSetIntoDissipative_II - 6a
 File: H_FCP_HIF_2D6A.xls
 Author: R. Biggins



| Step No. | Time | Activity/Remarks | TC/TLM | Display/ Branch | |
|---|----------------------|--|---------------------------------|----------------------------------|--|
| Beginning of Procedure | | | | | |
| TC Seq. Name : HFH2D6A (Dissipative II - 6a) | | | | | |
| TimeTag Type: N Sub Schedule ID: <input type="checkbox"/> | | | | | |
| 1 | | Prerequisite check | | Next Step: 2 | |
| 1.1 | | HSC/ICC input | | <input type="checkbox"/> | |
| | | Verify that the HSC/ICC has supplied a valid OBSID value: OBS_ID = 0xnnnn nnnn | | | |
| 1.2 | | Check initial conditions | | <input type="checkbox"/> | |
| | | Verify: HIFI mode HL_MODE_S HM258194 | = standby0 = standby1 | AND=ZAZ9C999 | |
| 2 | | Set procedure parameters | | Next Step: 3 | |
| | ET=+ UT=+00.00.00 | HIFI_Set_OBS_ID Command Parameter(s) : HIFI_BB_ID HP001197 HIFI_OBS_ID HP000197 TC Control Flags : GBM IL DSE --Y -- --- Subsch. ID : 70 Det. descr. : Set Observation-ID and Building-Block-ID | HIFI_Set_OBS_ID HC014289 | 1EF20001 <hex> OBS_ID | |
| | | Verify Telemetry BB_ID_per_hk HM004190 | = 1EF20001 <hex> | AND=ZAZ9C999 | |
| | | Verify Telemetry OBS_ID_per_hk HM003190 | OBS_ID | AND=ZAZ9C999 | |
| 3 | | Switch on WBS lasers | | Next Step: 4 | |

HifiManCmdSetIntoDissipative_II - 6a
 File: H_FCP_HIF_2D6A.xls
 Author: R. Biggins



| Step No. | Time | Activity/Remarks | TC/TLM | Display/ Branch |
|----------|----------------------|---|---|-----------------|
| | ET=+ UT=+00.00.00 | HIFI_switch_zero_WBS_H HIFI_switch_zero_WBS_H Command Parameter(s) : HIFI_BB_ID HP001197 HW_Zero_S HP162193 TC Control Flags : GBM IL DSE --Y -- --- Subsch. ID : 70 Det. descr. : Send single command to control the WBS-H zero-switch | HC078289 439287809 <dec> ON (Def) | |
| | ET=+ UT=+00.00.01 | HIFI_switch_zero_WBS_V HIFI_switch_zero_WBS_V Command Parameter(s) : HIFI_BB_ID HP001197 HW_Zero_S HP162193 Subsch. ID : 70 Det. descr. : Send single command to control the WBS-V zero-switch | HC079289 439287809 <dec> ON (Def) | |
| | ET=+ UT=+00.00.01 | HIFI_Configure_WBS_H HIFI_Configure_WBS_H Command Parameter(s) : HIFI_BB_ID HP001197 HWH_LASER1_S HP158193 HWH_LASER2_S HP159193 HWH_Heater HP160193 HWH_Latchup_S HP161193 HWH_ATT_Band_4 HP157193 HWH_ATT_Band_3 HP156193 HWH_ATT_Band_2 HP155193 HWH_ATT_Band_1 HP154193 HWH_ATT_IN HP153193 Subsch. ID : 70 Det. descr. : Configure WBS-H | HC032289 439287809 <dec> ON OFF (Def) 0 <dec> (Def) Levell 7 <dec> 7 <dec> 7 <dec> 7 <dec> 15 <dec> | |
| | ET=+ UT=+00.00.00 | HIFI_Configure_WBS_V HIFI_Configure_WBS_V Command Parameter(s) : HIFI_BB_ID HP001197 HWV_LASER1_S HP168193 HWV_LASER2_S HP169193 HWV_Heater HP170193 HWV_Latchup_S HP171193 HWV_ATT_Band_4 HP167193 HWV_ATT_Band_3 HP166193 HWV_ATT_Band_2 HP165193 HWV_ATT_Band_1 HP164193 HWV_ATT_IN HP163193 Subsch. ID : 70 Det. descr. : Configure WBS-H | HC033289 439287809 <dec> ON OFF (Def) 0 <dec> (Def) Levell 7 <dec> 7 <dec> 7 <dec> 7 <dec> 15 <dec> | |

HifiManCmdSetIntoDissipative_II - 6a
 File: H_FCP_HIF_2D6A.xls
 Author: R. Biggins



| Step No. | Time | Activity/Remarks | TC/TLM | Display/ Branch |
|----------|----------------------|--|---------------------------------|-----------------|
| 4 | | Go to Normal mode | | Next Step: 5 |
| | ET=+ UT=+00.00.01 | HIFI_HL_Normal HIFI_HL_Normal Command Parameter(s) : HIFI_BB_ID HP001197 TC Control Flags : GBM IL DSE --Y -- --- Subsch. ID : 70 Det. descr. : Send single command to switch LCU to normal mode | HC082289 434241537 <dec> | |
| | | Verify: HIFI mode HL_MODE_S HM258194 | = normal | AND=ZAZ9C999 |
| 5 | | Set to dissipative band | | Next Step: 6 |
| | ET=+ UT=+00.00.00 | Execute Telecommand HIFI_Conf_safe_LCU_ch6a Command Parameter(s) : HIFI_BB_ID HP001197 440205313 <dec> HL_freq_nx HP436194 30 <dec> HL_LSU_main HP438194 4062257137 <dec> HL_LSU_offset HP439194 4063262439 <dec> HL_D2_step HP437194 2 <dec> HL_Drain2_6A_V HP374194 1.138 V HL_Curlim2 HP291194 1.3 HL_macro_checksum HP440194 1 <dec> TC Control Flags : GBM IL DSE --Y -- --- | HC207289 | |
| | | Subsch. ID : 70 Det. descr. : Create macro-command to configure LCU band 6a to safe setting | | |
| | ET=+ UT=+00.00.20 | HIFI_LCU_read_settings HIFI_LCU_read_settings Subsch. ID : 70 Det. descr. : Requests setting parameters from LCU RAM page 7A | HC198289 | |
| | ET=+ UT=+00.00.00 | HIFI_LCU_all_tuning_hk HIFI_LCU_all_tuning_hk Subsch. ID : 70 Det. descr. : Requests all five LCU intermediate housekeeping-sets | HC193289 | |
| 6 | | Set heaters to normal mode value | | Next Step: 7 |

HifiManCmdSetIntoDissipative_II - 6a
 File: H_FCP_HIF_2D6A.xls
 Author: R. Biggins



| Step No. | Time | Activity/Remarks | TC/TLM | Display/ Branch |
|-------------------------|----------------------|--|--|-------------------|
| | ET=+ UT=+00.00.01 | HIFI_HL_heater HIFI_HL_heater Command Parameter(s) : HIFI_BB_ID HP001197 HL_heater HP397194 Subsch. ID : 70 Det. descr. : Send single command to control the LCU heater | HC086289 433520641 <dec> 4.0 V | |
| 7 | | Switch to dissipative mode | | Next Step: 8 |
| | ET=+ UT=+00.00.00 | HIFI_HL_dissipative HIFI_HL_dissipative Command Parameter(s) : HIFI_BB_ID HP001197 TC Control Flags : GBM IL DSE --Y -- --- Subsch. ID : 70 Det. descr. : Send single command to start dissipative mode | HC199289 434307073 <dec> | |
| | | Verify: HIFI mode HL_MODE_S HM258194 | = dissipative | AND=ZAZ9C999 |
| | | Verify Telemetry HL_Channel_S HM003194 | = 6a | AND=ZAZ9C999 |
| 8 | | Set default OBSID/BBID | | Next Step: END |
| | ET=+ UT=+00.00.00 | HIFI_Set_OBS_ID HIFI_Set_OBS_ID Command Parameter(s) : HIFI_BB_ID HP001197 HIFI_OBS_ID HP000197 TC Control Flags : GBM IL DSE --Y -- --- Subsch. ID : 70 Det. descr. : Set Observation-ID and Building-Block-ID | HC014289 0 <hex> (Def) 0 <hex> (Def) | |
| | | Verify Telemetry BB_ID_per_hk HM004190 | = 0 <hex> | AND=ZAZ9C999 |
| | | Verify Telemetry OBS_ID_per_hk HM003190 | = 0 <hex> | AND=ZAZ9C999 |
| End of Procedure | | | | |