

HifiManCmdSetIntoDissipative\_II - 5b  
 File: H\_FCP\_HIF\_2D5B.xls  
 Author: R. Biggins



## Procedure Summary

### Objectives

The objective of this procedure is to set HIFI to dissipative (II) mode in band 5b

Based on procedure:  
 HifiManCmdSetIntoDissipative\_II (v1)

### Summary of Constraints

n/a

### Spacecraft Configuration

Start of Procedure

End of Procedure

### Reference File(s)

Input Command Sequences

Output Command Sequences  
 HFH2D5B

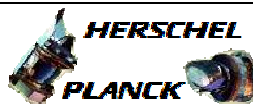
### Referenced Displays

ANDs      GRDs      SLDs  
 ZAZ9C999

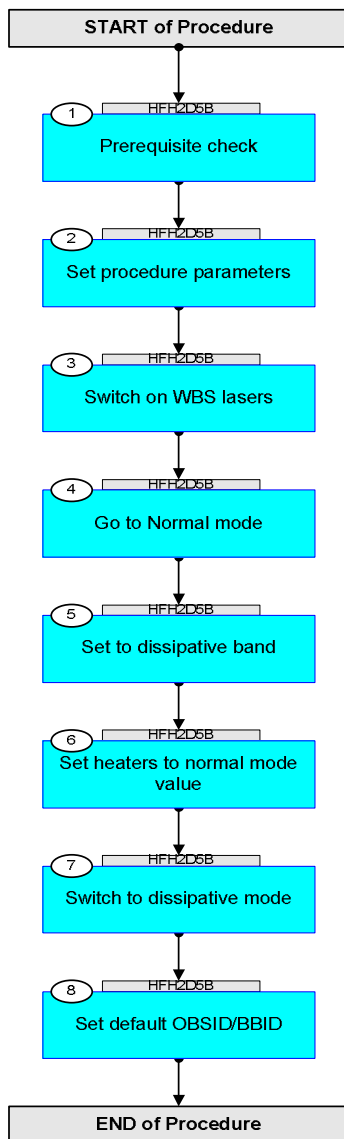
### Configuration Control Information

DATE	FOP ISSUE	VERSION	MODIFICATION DESCRIPTION	AUTHOR	SPR REF
08/04/2010		1	Created	R. Biggins	
09/04/2010	3	2	TC to set dissipative band updated	R. Biggins	
01/07/2010	3.1	2.01	Validation : Editorial: Step 7: TM check for band corrected	R. Biggins	

HifiManCmdSetIntoDissipative\_II - 5b  
File: H\_FCP\_HIF\_2D5B.xls  
Author: R. Biggins



## Procedure Flowchart Overview





HifiManCmdSetIntoDissipative\_II - 5b  
 File: H\_FCP\_HIF\_2D5B.xls  
 Author: R. Biggins



Step No.	Time	Activity/Remarks	TC/TLM	Display/ Branch
	ET=+ UT=+00.00.00	HIFI_switch_zero_WBS_H  HIFI_switch_zero_WBS_H  Command Parameter(s) : HIFI_BB_ID                  HP001197 HW_Zero_S                  HP162193  TC Control Flags : GBM IL DSE --Y -- ---  Subsch. ID : 70 Det. descr. : Send single command to control the WBS-H zero-switch	HC078289  439287809 <dec> ON (Def)	
	ET=+ UT=+00.00.01	HIFI_switch_zero_WBS_V  HIFI_switch_zero_WBS_V  Command Parameter(s) : HIFI_BB_ID                  HP001197 HW_Zero_S                  HP162193  Subsch. ID : 70 Det. descr. : Send single command to control the WBS-V zero-switch	HC079289  439287809 <dec> ON (Def)	
	ET=+ UT=+00.00.01	HIFI_Configure_WBS_H  HIFI_Configure_WBS_H  Command Parameter(s) : HIFI_BB_ID                  HP001197 HWH_LASER1_S              HP158193 HWH_LASER2_S              HP159193 HWH_Heater                  HP160193 HWH_Latchup_S              HP161193 HWH_ATT_Band_4              HP157193 HWH_ATT_Band_3              HP156193 HWH_ATT_Band_2              HP155193 HWH_ATT_Band_1              HP154193 HWH_ATT_IN                  HP153193  Subsch. ID : 70 Det. descr. : Configure WBS-H	HC032289  439287809 <dec> ON OFF (Def) 0 <dec> (Def) Levell 7 <dec> 7 <dec> 7 <dec> 7 <dec> 15 <dec>	
	ET=+ UT=+00.00.00	HIFI_Configure_WBS_V  HIFI_Configure_WBS_V  Command Parameter(s) : HIFI_BB_ID                  HP001197 HWV_LASER1_S              HP168193 HWV_LASER2_S              HP169193 HWV_Heater                  HP170193 HWV_Latchup_S              HP171193 HWV_ATT_Band_4              HP167193 HWV_ATT_Band_3              HP166193 HWV_ATT_Band_2              HP165193 HWV_ATT_Band_1              HP164193 HWV_ATT_IN                  HP163193  Subsch. ID : 70 Det. descr. : Configure WBS-H	HC033289  439287809 <dec> ON OFF (Def) 0 <dec> (Def) Levell 7 <dec> 7 <dec> 7 <dec> 7 <dec> 15 <dec>	

HifiManCmdSetIntoDissipative\_II - 5b  
 File: H\_FCP\_HIF\_2D5B.xls  
 Author: R. Biggins



Step No.	Time	Activity/Remarks	TC/TLM	Display/ Branch
4		Go to Normal mode		Next Step: 5
	ET=+ UT=+00.00.01	HIFI_HL_Normal  HIFI_HL_Normal  Command Parameter(s) : HIFI_BB_ID                  HP001197  TC Control Flags :  GBM IL DSE --Y -- ---  Subsch. ID : 70 Det. descr. : Send single command to switch LCU to normal mode	HC082289  434241537 <dec>	
		Verify: HIFI mode  HL_MODE_S                  HM258194	= normal	AND=ZAZ9C999
5		Set to dissipative band		Next Step: 6
	ET=+ UT=+00.00.00	Execute Telecommand  HIFI_Conf_safe_LCU_ch5b  Command Parameter(s) : HIFI_BB_ID                  HP001197                  440205313 <dec> HL_freq_nx                  HP436194                  30 <dec> HL_LSU_main                  HP438194                  4062270198 <dec> HL_LSU_offset                  HP439194                  4063329764 <dec> HL_D2_step                  HP437194                  2 <dec> HL_Drain2_5B_V                  HP366194                  1.118 V HL_Curlim2                  HP291194                  1.3 HL_macro_checksum                  HP440194                  1 <dec>  TC Control Flags :  GBM IL DSE  --Y -- ---	HC059289	
		Subsch. ID : 70 Det. descr. : Create macro-command to configure LCU band 5b to safe setting		
	ET=+ UT=+00.00.20	HIFI_LCU_read_settings  HIFI_LCU_read_settings  Subsch. ID : 70 Det. descr. : Requests setting parameters from LCU RAM page 7A	HC198289	
	ET=+ UT=+00.00.00	HIFI_LCU_all_tuning_hk  HIFI_LCU_all_tuning_hk  Subsch. ID : 70 Det. descr. : Requests all five LCU intermediate housekeeping-sets	HC193289	
6		Set heaters to normal mode value		Next Step: 7

HifiManCmdSetIntoDissipative\_II - 5b  
 File: H\_FCP\_HIF\_2D5B.xls  
 Author: R. Biggins



Step No.	Time	Activity/Remarks	TC/TLM	Display/ Branch
	ET=+ UT=+00.00.01	HIFI_HL_heater  HIFI_HL_heater  Command Parameter(s) : HIFI_BB_ID                  HP001197 HL_heater                  HP397194  Subsch. ID : 70 Det. descr. : Send single command to control the LCU heater	HC086289  433520641 <dec> 4.0 V	
7		Switch to dissipative mode		Next Step: 8
	ET=+ UT=+00.00.00	HIFI_HL_dissipative  HIFI_HL_dissipative  Command Parameter(s) : HIFI_BB_ID                  HP001197  TC Control Flags :  GBM IL DSE --Y -- ---  Subsch. ID : 70 Det. descr. : Send single command to start dissipative mode	HC199289  434307073 <dec>	
		Verify: HIFI mode  HL_MODE_S                  HM258194	= dissipative	AND=ZAZ9C999
		Verify Telemetry  HL_Channel_S                  HM003194	= 5b	AND=ZAZ9C999
8		Set default OBSID/BBID		Next Step: END
	ET=+ UT=+00.00.00	HIFI_Set_OBS_ID  HIFI_Set_OBS_ID  Command Parameter(s) : HIFI_BB_ID                  HP001197 HIFI_OBS_ID                  HP000197  TC Control Flags :  GBM IL DSE --Y -- ---  Subsch. ID : 70 Det. descr. : Set Observation-ID and Building-Block-ID	HC014289  0 <hex> (Def) 0 <hex> (Def)	
		Verify Telemetry  BB_ID_per_hk                  HM004190	= 0 <hex>	AND=ZAZ9C999
		Verify Telemetry  OBS_ID_per_hk                  HM003190	= 0 <hex>	AND=ZAZ9C999
<b>End of Procedure</b>				