

CDMU checks in earth acquisition mode
File: H_FCP_DHS_EACK.xls
Author: S. Manganelli



Procedure Summary

Objectives

To check the CDMU status in EAM

Summary of Constraints

n/a

Spacecraft Configuration

Start of Procedure

Type Pre-condition Here

End of Procedure

Type Post-condition Here

Reference File(s)

Input Command Sequences

Output Command Sequences

HFDEACK

Referenced Displays

ANDs GRDs SLDs

CDMU checks in earth acquisition mode
 File: H_FCP_DHS_EACK.xls
 Author: S. Manganelli



ZAZAA999
 ZAZAB999
 ZAZAC999
 ZAZAD999
 ZAZAE999
 ZAZAF999
 ZAZAG999
 ZAZAH999
 ZAZAL999
 ZAZAM999
 ZAZAN999
 ZAZAO999
 ZAZAP999
 ZAZAQ999
 ZAD3A999
 ZAD3B999
 ZAD3C999
 ZAZAI999

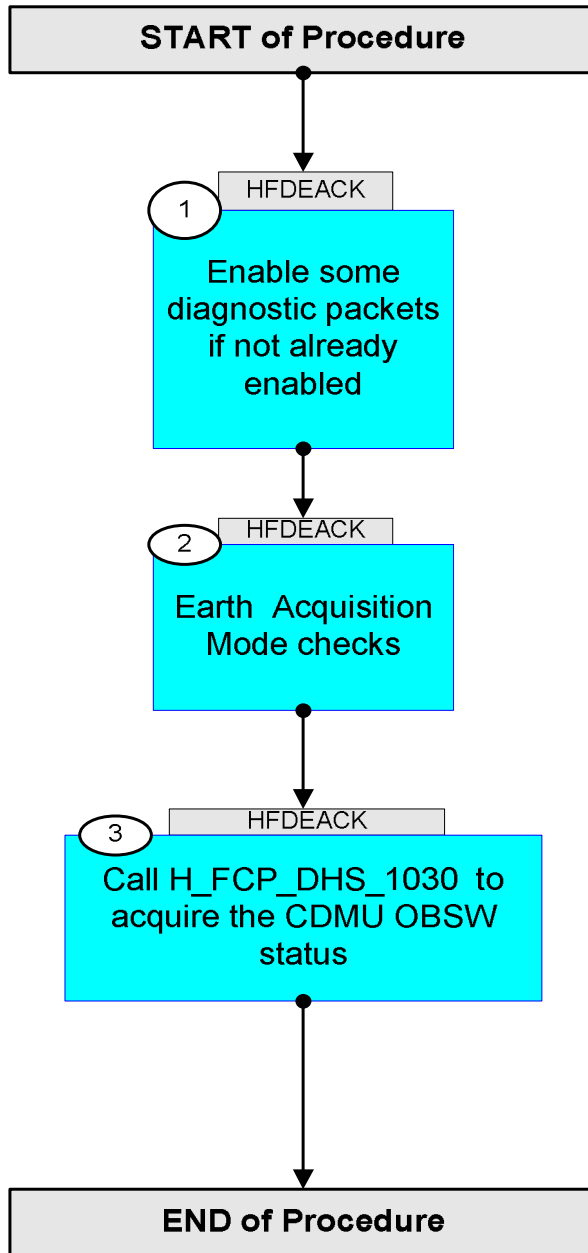
Configuration Control Information

DATE	FOP ISSUE	VERSION	MODIFICATION DESCRIPTION	AUTHOR	SPR REF
12/12/08		1	Created	S. Manganelli	
15/12/08		2	Rfdn SW positions modified in AND ZAZAM999	cmevi-hp	
13/01/09	2	3	Updated following OBSW 3_8	S. Manganelli	
15/03/09	2.2	4	Corrected "spare" PCF_NAME for OBCP buffers as per OBSW 3_8	S. Manganelli	
14/04/09		5	Modified ZAZAB999 following TAS comment (4 banks configuration)	S. Manganelli	
14/04/09	2.3	6	MTL status updated	S. Manganelli	

CDMU checks in earth acquisition mode
File: H_FCP_DHS_EACK.xls
Author: S. Manganelli



Procedure Flowchart Overview



CDMU checks in earth acquisition mode
 File: H_FCP_DHS_EACK.xls
 Author: S. Manganelli




Step No.	Time	Activity/Remarks	TC/TLM	Display/ Branch	AIT Comment
Beginning of Procedure					
		TC Seq. Name :HFDEACK (CDMU checks in EAM) TimeTag Type: N Sub Schedule ID: <input type="checkbox"/>			
1		Enable some diagnostic packets if not already enabled		Next Step: 2	
		Execute Telecommand <div style="text-align: right; margin-right: 100px;">EnableTmGen</div> <div style="text-align: right; margin-right: 100px;">DC900180</div> Command Parameter(s) : <div style="margin-left: 100px;"> N DH017180 1 <dec> (Def) Sub-Type DH019180 Diag Report Packet-ID DH020180 98 <dec> </div> TC Control Flags : <div style="margin-left: 100px;"> GBM IL DSE --Y -- --- </div> Subsch. ID : 10 Det. descr. : Enable Generation of Telemetry Packets		TC	
		Wait a few seconds to allow at least one TM packet to be received.			
		Execute Telecommand <div style="text-align: right; margin-right: 100px;">DisableTmGen</div> <div style="text-align: right; margin-right: 100px;">DC902180</div> Command Parameter(s) : <div style="margin-left: 100px;"> N DH017180 1 <dec> (Def) Sub-Type DH019180 Diag Report Packet-ID DH020180 98 <dec> </div> TC Control Flags : <div style="margin-left: 100px;"> GBM IL DSE --Y -- --- </div> Subsch. ID : 10 Det. descr. : Disable Generation of Telemetry Packets		TC	
		Execute Telecommand <div style="text-align: right; margin-right: 100px;">EnableTmGen</div> <div style="text-align: right; margin-right: 100px;">DC900180</div> Command Parameter(s) : <div style="margin-left: 100px;"> N DH017180 1 <dec> (Def) Sub-Type DH019180 HK Report Packet-ID DH020180 67 <dec> </div> TC Control Flags : <div style="margin-left: 100px;"> GBM IL DSE --Y -- --- </div> Subsch. ID : 10 Det. descr. : Enable Generation of Telemetry Packets		TC	
		This packet should be left enabled PERMANENTLY			
2		Earth Acquisition Mode checks		Next Step: 3	
		Call up ANDs with configuration "initialize" set			
		Refer to Checkform ZAZAA999 at the back of this document		ANDCK	

CDMU checks in earth acquisition mode File: H_FCP_DHS_EACK.xls Author: S. Manganelli	 
--	--

Step No.	Time	Activity/Remarks	TC/TLM	Display/ Branch	AIT Comment
		Refer to Checkform ZAZAB999 at the back of this document		ANDCK	
		Refer to Checkform ZAZAC999 at the back of this document		ANDCK	
		Refer to Checkform ZAZAD999 at the back of this document		ANDCK	
		Refer to Checkform ZAZAE999 at the back of this document		ANDCK	
		Refer to Checkform ZAZAF999 at the back of this document		ANDCK	
		Refer to Checkform ZAZAG999 at the back of this document		ANDCK	
		Refer to Checkform ZAZAH999 at the back of this document		ANDCK	
		Refer to Checkform ZAZAI999 at the back of this document		ANDCK	
		Refer to Checkform ZAZAL999 at the back of this document		ANDCK	
		Refer to Checkform ZAZAM999 at the back of this document		ANDCK	
		Refer to Checkform ZAZAN999 at the back of this document		ANDCK	
		Refer to Checkform ZAZAO999 at the back of this document		ANDCK	
		Refer to Checkform ZAZAP999 at the back of this document		ANDCK	
		Refer to Checkform ZAZAQ999 at the back of this document		ANDCK	
		Refer to Checkform ZAD3A999 at the back of this document		ANDCK	
		Refer to Checkform ZAD3B999 at the back of this document		ANDCK	
		Refer to Checkform ZAD3C999 at the back of this document		ANDCK	
3		Call H_FCP_DHS_1030 to acquire the CDMU OBSW status		Next Step: END	
End of Sequence					
End of Procedure					

CDMU checks in earth acquisition mode
 File: H_FCP_DHS_EACK.xls
 Author: S. Manganelli



ZAZAA999 / CDMU subsystem check A

ID	DESCRIPTION	VALUE	UNIT	ID	DESCRIPTION	VALUE	UNIT
WM802565	CdmuHotA_FCL1_I	In Limits		DEDJ1160	DIAG2_Interrog	In Limits	
WM803565	CdmuHotA_FCL1_V	In Limits		DEDJG160	DIAG3_Interrog	In Limits	
WM302565	CdmuHotB_FCL2_I	In Limits		DEDK1160	DIAG4_Interrog	In Limits	
WM303565	CdmuHotB_FCL2_V	In Limits		DEDKG160	DIAG5_Interrog	In Limits	
WM207565	CdmuColdA_L31_I	In Limits		DEDN1160	Oscillat_A_Temp	In Limits	
WM907565	CdmuColdB_L32_I	In Limits		DEDNG160	Oscillat_B_Temp	In Limits	
DED4G160	HKA_AN1_Interr	In Limits		WM22B565	CdmuColdA_L31_S	ON	
DED51160	HKA_AN2_Interr	In Limits		WM92B565	CdmuColdB_L32_S	ON	
DED5G160	HKA_AN3_Interr	In Limits		DEE81160	ColdSts_A_fromA	ON	
DED61160	HKA_AN4_Interr	In Limits		DEE82160	ColdSts_A_fromB	ON	
DED6G160	HKA_AN5_Interr	In Limits		DEE83160	ColdSts_B_fromA	OFF	
DED71160	HKA_AN6_Interr	In Limits		DEE84160	ColdSts_B_fromB	OFF	
DED7G160	HKA_AN7_Interr	In Limits		DEEXG160	RMA_fromTTR-RMA	ENABLED	
DED81160	HKA_AN8_Interr	In Limits		DEEXH160	RMA_fromTTR-RMB	ENABLED	
DEDDG160	HKA_ANTH5_Inter	In Limits		DEEXJ160	RMB_fromTTR-RMA	ENABLED	
DEDE1160	HKA_ANTH6_Inter	In Limits		DEEXK160	RMB_fromTTR-RMB	ENABLED	
DEDEG160	HKA_ANTH8_Inter	In Limits		DEDM1160	Active_PM_Board	A	
DED8G160	HKB_AN1_Interr	In Limits		DEDMG160	Active_TTRBoard	A	
DED91160	HKB_AN2_Interr	In Limits		DEDMF160	ACT_TM_OBT	0	<dec>
DED9G160	HKB_AN3_Interr	In Limits		DEEX1160	PMA_R0_TTR-RM_A	RESET	
DEDA1160	HKB_AN4_Interr	In Limits		DEEX2160	PMA_R1_TTR-RM_A	SET	
DEDAG160	HKB_AN5_Interr	In Limits		DEEX3160	PMB_R0_TTR-RM_B	RESET	
DEDB1160	HKB_AN6_Interr	In Limits		DEEX4160	PMB_R1_TTR-RM_B	SET	
DEDBG160	HKB_AN7_Interr	In Limits		ZMP13999	Separ Strap1	Separated	
DEDC1160	HKB_AN8_Interr	In Limits		ZMP14999	Separ Strap2	Separated	
DEDEG1160	HKB_ANTH5_Inter	In Limits		DEEP1160	Lock_A	Strt Seq found if RF lock	
DEDEGG160	HKB_ANTH6_Inter	In Limits		DEEP2160	TC5_Status_A	Inactive	
DEDCG160	VA_AN25FS_Inter	In Limits		DEEP3160	TC4_Status_A	Inactive	
DEDD1160	VA_AN75FS_Inter	In Limits		DEEP4160	TC3_Status_A	Inactive	
DEDF1160	VB_AN25FS_Inter	In Limits		DEEP5160	TC2_Status_A	Inactive	
DEDFG160	VB_AN75FS_Inter	In Limits		DEEP6160	TC1_Status_A	Active if lock	
DEDHG160	DIAG1_Interrog	In Limits		DEEP7160	TC0_Status_A	Active if lock	

CDMU checks in earth acquisition mode
 File: H_FCP_DHS_EACK.xls
 Author: S. Manganelli



ZAZAB999 / CDMU subsystem check B

ID	DESCRIPTION	VALUE	UNIT	ID	DESCRIPTION	VALUE	UNIT
DEEPG160	Lock_B	Strt Seq found if RF lock		DEECZ160	PWR_Sts_BankA2	ON	
DEEPH160	TC5_Status_B	Inactive		DEECJ160	PWR_Sts_BankA3	ON	
DEEPZ160	TC4_Status_B	Inactive		DEECK160	PWR_Sts_BankB0	ON	
DEEPJ160	TC3_Status_B	Inactive		DEECL160	PWR_Sts_BankB1	ON	
DEEPK160	TC2_Status_B	Inactive		DEECM160	PWR_Sts_BankB2	ON	
DEEPL160	TC1_Status_B	Active if lock		DEECN160	PWR_Sts_BankB3	ON	
DEEPM160	TC0_Status_B	Active if lock		DEEE1160	A0_Phys_Bank	PhysBank0	
DEES1160	FARa_STAT	New or Old data		DEEEG160	B0_Phys_Bank	PhysBank0	
DEES2160	FARa_Analysis	not Frame Dirty, not frame illegal		DEEF1160	A1_Phys_Bank	PhysBank1	
DEES3160	FARa_ill_Reas	"No Illegal" if TC VC0		DEEFG160	B1_Phys_Bank	PhysBank1	
DEES4160	FARa_AccCdBk	Changing nr when TC received		DEEG1160	A2_Phys_Bank	PhysBank2	
DEES5160	FARa_SinglCorr	0	<dec>	DEEGG160	B2_Phys_Bank	PhysBank2	
DEES6160	FARa_Type	not "No Legal Frame"		DEEH1160	A3_Phys_Bank	PhysBank3	
DEES7160	FARa_TCchInput	XPND 1 or XPND 2		DEEHG160	B3_Phys_Bank	PhysBank3	
DEES8160	FARa_LastMAP	1 (63 if not init)		DEK8G160	ActiveTM-OBT	A	
DEES9160	FARa_AuthProcA	No auth report		DEK8H160	PwrOnResetRegA	Power On	
DEESG160	FARb_STAT	New or Old data		DEK8J160	PwrOnResetRegB	Power On	
DEESH160	FARb_Analysis	not Frame Dirty, not frame illegal		DEK8K160	PM_relay_0	NomModeAllowed	
DEESJ160	FARb_ill_Reas	"No Illegal" if TC VC1		DEK8L160	StartupSurvNom	Nominal	
DEESK160	FARb_AccCdBk	Changing nr when TC received		DEJK1160	TtrRmA_UpdateEn	ENABLED	
DEESL160	FARb_SinglCorr	0	<dec>	DEJK2160	TtrRmA_Enabled	ENABLED	
DEESM160	FARb_Type	not "No Legal Frame"		DEJK3160	TtrRmA_Healthy	Healthy	
DEESN160	FARb_TCchInput	XPND 1 or XPND 2		DEJK4160	TtrRmB_UpdateEn	ENABLED	
DEESP160	FARb_LastMAP	1 (63 if not init)		DEJK5160	TtrRmB_Enabled	ENABLED	
DEESR160	FARb_AuthProcA	No auth report		DEJK6160	TtrRmB_Healthy	Healthy	
DEMRF160	TME_BITRATE	As commanded		DEJG160	TtrRmlntA_UpdEn	ENABLED	
DEEDG160	MMstsA_fromTTRA	ON		DEJKH160	TtrRmlntA_Enabl	ENABLED	
DEEDH160	MMstsA_fromTTRB	ON		DEJKZ160	TtrRmlntA_Healt	Healthy	
DEEDZ160	MMstsB_fromTTRA	ON		DEJKJ160	TtrRmlntB_UpdEn	ENABLED	
DEEDJ160	MMstsB_fromTTRB	ON		DEJKK160	TtrRmlntB_Enabl	ENABLED	
DEECG160	PWR_Sts_BankA0	ON		DEJKL160	TtrRmlntB_Healt	Healthy	
DEECH160	PWR_Sts_BankA1	ON					

CDMU checks in earth acquisition mode
 File: H_FCP_DHS_EACK.xls
 Author: S. Manganelli



ZAZAC999 / CDMU subsystem check C

ID	DESCRIPTION	VALUE	UNIT	ID	DESCRIPTION	VALUE	UNIT
DEJL1160	TtrRmSgmA_UpdEn	ENABLED		DEJNZ160	PmlcbA_Healthy	Healthy	
DEJL2160	TtrRmSgmA_Enabl	ENABLED		DEJNJ160	PmlcbB_UpdateEn	ENABLED	
DEJL3160	TtrRmSgmA_Healt	Healthy		DEJNK160	PmlcbB_Enabled	ENABLED	
DEJL4160	TtrRmSgmB_UpdEn	ENABLED		DEJNL160	PmlcbB_Healthy	Healthy	
DEJL5160	TtrRmSgmB_Enabl	ENABLED		DEJP1160	PmCocosA_UpdEn	ENABLED	
DEJL6160	TtrRmSgmB_Healt	Healthy		DEJP2160	PmCocosA_Enable	ENABLED	
DEJLG160	TtrRmlcbA_UpdEn	ENABLED		DEJP3160	PmCocosA_Health	Healthy	
DEJLH160	TtrRmlcbA_Enabl	ENABLED		DEJP4160	PmCocosB_UpdEn	ENABLED	
DEJLZ160	TtrRmlcbA_Healt	Healthy		DEJP5160	PmCocosB_Enable	ENABLED	
DEJLJ160	TtrRmlcbB_UpdEn	ENABLED		DEJP6160	PmCocosB_Health	Healthy	
DEJLK160	TtrRmlcbB_Enabl	ENABLED		DEJPG160	PmObdhA_UpdEn	ENABLED	
DEJLL160	TtrRmlcbB_Healt	Healthy		DEJPH160	PmObdhA_Enabled	ENABLED	
DEJM1160	MmBrdA_UpdateEn	ENABLED		DEJPZ160	PmObdhA_Healthy	Healthy	
DEJM2160	MmBrdA_Enabled	ENABLED		DEJPJ160	PmObdhB_UpdEn	ENABLED	
DEJM3160	MmBrdA_Healthy	Healthy		DEJPK160	PmObdhB_Enabled	ENABLED	
DEJM4160	MmBrdB_UpdateEn	ENABLED		DEJPL160	PmObdhB_Healthy	Healthy	
DEJM5160	MmBrdB_Enabled	ENABLED		DEJR1160	PmSpwTtrAA_UpdE	ENABLED	
DEJM6160	MmBrdB_Healthy	Healthy		DEJR2160	PmSpwTtrAA_Enab	ENABLED	
DEJMG160	MmlntA_UpdateEn	ENABLED		DEJR3160	PmSpwTtrAA_Hlth	Healthy	
DEJMH160	MmlntA_Enabled	ENABLED		DEJR4160	PmSpwTtrAB_UpdE	ENABLED	
DEJMZ160	MmlntA_Healthy	Healthy		DEJR5160	PmSpwTtrAB_Enab	ENABLED	
DEJMJ160	MmlntB_UpdateEn	ENABLED		DEJR6160	PmSpwTtrAB_Hlth	Healthy	
DEJMK160	MmlntB_Enabled	ENABLED		DEJRG160	PmSpwTtrBA_UpdE	ENABLED	
DEJML160	MmlntB_Healthy	Healthy		DEJRH160	PmSpwTtrBA_Enab	ENABLED	
DEJN1160	MmlcbA_UpdateEn	ENABLED		DEJRZ160	PmSpwTtrBA_Hlth	Healthy	
DEJN2160	MmlcbA_Enabled	ENABLED		DEJRJ160	PmSpwTtrBB_UpdE	ENABLED	
DEJN3160	MmlcbA_Healthy	Healthy		DEJRK160	PmSpwTtrBB_Enab	ENABLED	
DEJN4160	MmlcbB_UpdateEn	ENABLED		DEJRL160	PmSpwTtrBB_Hlth	Healthy	
DEJN5160	MmlcbB_Enabled	ENABLED					
DEJN6160	MmlcbB_Healthy	Healthy					
DEJNG160	PmlcbA_UpdateEn	ENABLED					
DEJNH160	PmlcbA_Enabled	ENABLED					

CDMU checks in earth acquisition mode
 File: H_FCP_DHS_EACK.xls
 Author: S. Manganelli



ZAZAD999 / CDMU subsystem check D

ID	DESCRIPTION	VALUE	UNIT	ID	DESCRIPTION	VALUE	UNIT
DEJS1160	PmSpwMmAA_UpdE	ENABLED		DEJUZ160	MarsGrp04A_Hlth	Healthy	
DEJS2160	PmSpwMmAA_Enab	ENABLED		DEJUJ160	MarsGrp04B_UpdE	ENABLED	
DEJS3160	PmSpwMmAA_Hlth	Healthy		DEJUK160	MarsGrp04B_Enab	ENABLED	
DEJS4160	PmSpwMmAB_UpdE	ENABLED		DEJUL160	MarsGrp04B_Hlth	Healthy	
DEJS5160	PmSpwMmAB_Enab	ENABLED		DEJV1160	MarsGrp05A_UpdE	ENABLED	
DEJS6160	PmSpwMmAB_Hlth	Healthy		DEJV2160	MarsGrp05A_Enab	ENABLED	
DEJSG160	PmSpwMmBA_UpdE	ENABLED		DEJV3160	MarsGrp05A_Hlth	Healthy	
DEJSH160	PmSpwMmBA_Enab	ENABLED		DEJV4160	MarsGrp05B_UpdE	ENABLED	
DEJSZ160	PmSpwMmBA_Hlth	Healthy		DEJV5160	MarsGrp05B_Enab	ENABLED	
DEJSJ160	PmSpwMmBB_UpdE	ENABLED		DEJV6160	MarsGrp05B_Hlth	Healthy	
DEJSK160	PmSpwMmBB_Enab	ENABLED		DEJVG160	MarsGrp06A_UpdE	ENABLED	
DEJSL160	PmSpwMmBB_Hlth	Healthy		DEJVH160	MarsGrp06A_Enab	ENABLED	
DEJT1160	MarsGrp01A_UpdE	ENABLED		DEJVZ160	MarsGrp06A_Hlth	Healthy	
DEJT2160	MarsGrp01A_Enab	ENABLED		DEJVJ160	MarsGrp06B_UpdE	ENABLED	
DEJT3160	MarsGrp01A_Hlth	Healthy		DEJVK160	MarsGrp06B_Enab	ENABLED	
DEJT4160	MarsGrp01B_UpdE	ENABLED		DEJVL160	MarsGrp06B_Hlth	Healthy	
DEJT5160	MarsGrp01B_Enab	ENABLED		DEJX1160	MarsGrp07A_UpdE	ENABLED	
DEJT6160	MarsGrp01B_Hlth	Healthy		DEJX2160	MarsGrp07A_Enab	ENABLED	
DEJTG160	MarsGrp02A_UpdE	ENABLED		DEJX3160	MarsGrp07A_Hlth	Healthy	
DEJTH160	MarsGrp02A_Enab	ENABLED		DEJX4160	MarsGrp07B_UpdE	ENABLED	
DEJTZ160	MarsGrp02A_Hlth	Healthy		DEJX5160	MarsGrp07B_Enab	ENABLED	
DEJTJ160	MarsGrp02B_UpdE	ENABLED		DEJX6160	MarsGrp07B_Hlth	Healthy	
DEJTK160	MarsGrp02B_Enab	ENABLED		DEJXG160	MarsGrp08A_UpdE	ENABLED	
DEJTL160	MarsGrp02B_Hlth	Healthy		DEJXH160	MarsGrp08A_Enab	ENABLED	
DEJU1160	MarsGrp03A_UpdE	ENABLED		DEJXZ160	MarsGrp08A_Hlth	Healthy	
DEJU2160	MarsGrp03A_Enab	ENABLED		DEJXJ160	MarsGrp08B_UpdE	ENABLED	
DEJU3160	MarsGrp03A_Hlth	Healthy		DEJXK160	MarsGrp08B_Enab	ENABLED	
DEJU4160	MarsGrp03B_UpdE	ENABLED		DEJXL160	MarsGrp08B_Hlth	Healthy	
DEJU5160	MarsGrp03B_Enab	ENABLED					
DEJU6160	MarsGrp03B_Hlth	Healthy					
DEJUG160	MarsGrp04A_UpdE	ENABLED					
DEJUH160	MarsGrp04A_Enab	ENABLED					

CDMU checks in earth acquisition mode
 File: H_FCP_DHS_EACK.xls
 Author: S. Manganelli



ZAZAE999 / CDMU subsystem check E

ID	DESCRIPTION	VALUE	UNIT	ID	DESCRIPTION	VALUE	UNIT
DEJY1160	MarsGrp09A_UpdE	ENABLED		DEK0Z160	MarsGrp14A_Hlth	Healthy	
DEJY2160	MarsGrp09A_Enab	ENABLED		DEK0J160	MarsGrp14B_UpdE	ENABLED	
DEJY3160	MarsGrp09A_Hlth	Healthy		DEK0K160	MarsGrp14B_Enab	ENABLED	
DEJY4160	MarsGrp09B_UpdE	ENABLED		DEK0L160	MarsGrp14B_Hlth	Healthy	
DEJY5160	MarsGrp09B_Enab	ENABLED		DEK11160	MarsGrp15A_UpdE	ENABLED	
DEJY6160	MarsGrp09B_Hlth	Healthy		DEK12160	MarsGrp15A_Enab	ENABLED	
DEJYG160	MarsGrp10A_UpdE	ENABLED		DEK13160	MarsGrp15A_Hlth	Healthy	
DEJYH160	MarsGrp10A_Enab	ENABLED		DEK14160	MarsGrp15B_UpdE	ENABLED	
DEJYZ160	MarsGrp10A_Hlth	Healthy		DEK15160	MarsGrp15B_Enab	ENABLED	
DEJYJ160	MarsGrp10B_UpdE	ENABLED		DEK16160	MarsGrp15B_Hlth	Healthy	
DEJYK160	MarsGrp10B_Enab	ENABLED		DEK1G160	MarsGrp16A_UpdE	ENABLED	
DEJYL160	MarsGrp10B_Hlth	Healthy		DEK1H160	MarsGrp16A_Enab	ENABLED	
DEJZ1160	MarsGrp11A_UpdE	ENABLED		DEK1Z160	MarsGrp16A_Hlth	Healthy	
DEJZ2160	MarsGrp11A_Enab	ENABLED		DEK1J160	MarsGrp16B_UpdE	ENABLED	
DEJZ3160	MarsGrp11A_Hlth	Healthy		DEK1K160	MarsGrp16B_Enab	ENABLED	
DEJZ4160	MarsGrp11B_UpdE	ENABLED		DEK1L160	MarsGrp16B_Hlth	Healthy	
DEJZ5160	MarsGrp11B_Enab	ENABLED		DEK21160	MarsGrp17A_UpdE	ENABLED	
DEJZ6160	MarsGrp11B_Hlth	Healthy		DEK22160	MarsGrp17A_Enab	ENABLED	
DEJZG160	MarsGrp12A_UpdE	ENABLED		DEK23160	MarsGrp17A_Hlth	Healthy	
DEJZH160	MarsGrp12A_Enab	ENABLED		DEK24160	MarsGrp17B_UpdE	ENABLED	
DEJZZ160	MarsGrp12A_Hlth	Healthy		DEK25160	MarsGrp17B_Enab	ENABLED	
DEJZJ160	MarsGrp12B_UpdE	ENABLED		DEK26160	MarsGrp17B_Hlth	Healthy	
DEJZK160	MarsGrp12B_Enab	ENABLED		DEK2G160	MarsGrp18A_UpdE	ENABLED	
DEJZL160	MarsGrp12B_Hlth	Healthy		DEK2H160	MarsGrp18A_Enab	ENABLED	
DEK01160	MarsGrp13A_UpdE	ENABLED		DEK2Z160	MarsGrp18A_Hlth	Healthy	
DEK02160	MarsGrp13A_Enab	ENABLED		DEK2J160	MarsGrp18B_UpdE	ENABLED	
DEK03160	MarsGrp13A_Hlth	Healthy		DEK2K160	MarsGrp18B_Enab	ENABLED	
DEK04160	MarsGrp13B_UpdE	ENABLED		DEK2L160	MarsGrp18B_Hlth	Healthy	
DEK05160	MarsGrp13B_Enab	ENABLED					
DEK06160	MarsGrp13B_Hlth	Healthy					
DEK0G160	MarsGrp14A_UpdE	ENABLED					
DEK0H160	MarsGrp14A_Enab	ENABLED					

CDMU checks in earth acquisition mode
 File: H_FCP_DHS_EACK.xls
 Author: S. Manganelli



ZAZAF999 / CDMU subsystem check F							
ID	DESCRIPTION	VALUE	UNIT	ID	DESCRIPTION	VALUE	UNIT
DEK31160	MarsGrp19A_UpdE	ENABLED		DEK5Z160	MarsGrp24A_Hlth	Healthy	
DEK32160	MarsGrp19A_Enab	ENABLED		DEK5J160	MarsGrp24B_UpdE	ENABLED	
DEK33160	MarsGrp19A_Hlth	Healthy		DEK5K160	MarsGrp24B_Enab	ENABLED	
DEK34160	MarsGrp19B_UpdE	ENABLED		DEK5L160	MarsGrp24B_Hlth	Healthy	
DEK35160	MarsGrp19B_Enab	ENABLED		DEK61160	MarsGrp25A_UpdE	ENABLED	
DEK36160	MarsGrp19B_Hlth	Healthy		DEK62160	MarsGrp25A_Enab	ENABLED	
DEK3G160	MarsGrp20A_UpdE	ENABLED		DEK63160	MarsGrp25A_Hlth	Healthy	
DEK3H160	MarsGrp20A_Enab	ENABLED		DEK64160	MarsGrp25B_UpdE	ENABLED	
DEK3Z160	MarsGrp20A_Hlth	Healthy		DEK65160	MarsGrp25B_Enab	ENABLED	
DEK3J160	MarsGrp20B_UpdE	ENABLED		DEK66160	MarsGrp25B_Hlth	Healthy	
DEK3K160	MarsGrp20B_Enab	ENABLED		DEF5F160	BSW_SDB_ActProf	EAM (1)	
DEK3L160	MarsGrp20B_Hlth	Healthy		DEF60160	BSW_SDB_ENAB	ENABLED	
DEK41160	MarsGrp21A_UpdE	ENABLED		DEF20160	BSW_CPULoad_Max	<75	
DEK42160	MarsGrp21A_Enab	ENABLED		DEL21160	SGM_A_WriteProt	N	
DEK43160	MarsGrp21A_Hlth	Healthy		DEL22160	SGM_B_WriteProt	N	
DEK44160	MarsGrp21B_UpdE	ENABLED		DEL23160	SgmReadWriteAcc	N if not while writing	
DEK45160	MarsGrp21B_Enab	ENABLED		DEL2F160	BSW_MM_A_CfgSts	NoCfgOngoing if not initializing	
DEK46160	MarsGrp21B_Hlth	Healthy		DEL30160	BSW_MM_B_CfgSts	NoCfgOngoing if not initializing	
DEK4G160	MarsGrp22A_UpdE	ENABLED		DEE01161	AccBurstMode	DISABLED	
DEK4H160	MarsGrp22A_Enab	ENABLED		DEE02161	HifiBurstMode	DISABLED	
DEK4Z160	MarsGrp22A_Hlth	Healthy		DEE03161	SpireBurstMode	DISABLED	
DEK4J160	MarsGrp22B_UpdE	ENABLED		DEE04161	PacsBurstMode	DISABLED	
DEK4K160	MarsGrp22B_Enab	ENABLED		DEL80160	BSW_ObtTtrDiff	small	
DEK4L160	MarsGrp22B_Hlth	Healthy		DEL0J160	EEPromWriteProt	ENABLED	
DEK51160	MarsGrp23A_UpdE	ENABLED		DEL0G160	CpuCocosWrtProt	ENABLED	
DEK52160	MarsGrp23A_Enab	ENABLED		DEL0H160	CpuRamWriteProt	ENABLED	
DEK53160	MarsGrp23A_Hlth	Healthy		DEFJ1160	Active_Bus_A_B	BUS_A	
DEK54160	MarsGrp23B_UpdE	ENABLED		DEFJ2160	BusA_HealthySts	Healthy	
DEK55160	MarsGrp23B_Enab	ENABLED		DEFJ3160	BusB_HealthySts	Healthy	
DEK56160	MarsGrp23B_Hlth	Healthy		DEFJ4160	SDB_FDIR	ENABLED	
DEK5G160	MarsGrp24A_UpdE	ENABLED					
DEK5H160	MarsGrp24A_Enab	ENABLED					

CDMU checks in earth acquisition mode
 File: H_FCP_DHS_EACK.xls
 Author: S. Manganelli



ZAZAG999 / CDMU subsystem check G

ID	DESCRIPTION	VALUE	UNIT	ID	DESCRIPTION	VALUE	UNIT
DEN0M160	InvCnt_BcSdbP	Not stuck (over few minutes)		DEN19160	BSW_EviDCnt209	0	<dec>
DEN12160	InvCnt_CmdP	Not stuck (over few minutes)		DES4X161	BSW_EviDCnt210	0	<dec>
DEN0U160	InvCnt_HkP	Not stuck (over few minutes)		DEN20180	BSW_EviDCnt211	0	<dec>
DEN0N160	InvCnt_HkSmpLP	Not stuck (over few minutes)		DEN21180	BSW_EviDCnt212	0	<dec>
DEN0P160	InvCnt_IOCycP	Not stuck (over few minutes)		DEN22160	BSW_EviDCnt213	0	<dec>
DEN0Z160	InvCnt_MmP	Not stuck (over few minutes)		DEN23180	BSW_EviDCnt214	0	<dec>
DEN0R160	InvCnt_ObtP	Not stuck (over few minutes)		DEF6G160	ACCA_On_Off	ON	
DEN0S160	InvCnt_StSMonP	Not stuck (over few minutes)		DEF6H160	ACCA_Dead_Alive	Alive	
DEN0Y160	InvCnt_SgmP	Not stuck (over few minutes)		DEF6Z160	ACCAWell_SickTC	Well	
DEN0T160	InvCnt_SremP	Not stuck (over few minutes)		DEF6J160	ACCAWell_SickTM	Well	
DEN11160	InvCnt_TcRtrP	Not stuck (over few minutes)		DEF6K160	ACCAValid_Inval	Valid	
DEN0V160	InvCnt_Tm2SdbP	Not stuck (over few minutes)		DEF71160	ACCB_On_Off	ON	
DEN10160	InvCnt_TmVcP	Not stuck (over few minutes)		DEF72160	ACCB_Dead_Alive	Alive	
DES4V161	InvCnt_VmcP	Not stuck (over few minutes)		DEF73160	ACCBWell_SickTC	Well	
DEFZ0160	BSW_EviDCnt1	0	<dec>	DEF74160	ACCBWell_SickTM	Well	
DEFZF160	BSW_EviDCnt2	0	<dec>	DEF75160	ACCBValid_Inval	Valid	
DEG0F180	BSW_EviDCnt5	0	<dec>	DEFDG160	ACC_Vit_NoVit	Vital	
DEG1F180	BSW_EviDCnt7	0	<dec>	DEFDJ160	ACC_VitRT_Cnt	1	<dec>
DEG2F180	BSW_EviDCnt9	0	<dec>	DEFDH160	ACC_No_Re_RTA	NOMINAL	
DEG3F180	BSW_EviDCnt11	0	<dec>	DEFDZ160	ACC_TMRetryOnOf	ON	
DEG5F160	BSW_EviDCnt15	0	<dec>	DEDZG161	HIFIA_OnOff	OFF	
DEHVF160	BSW_EviDCnt136	0	<dec>	DEDZH161	HIFIA_DeadAlive	Alive	
DEHX0160	BSW_EviDCnt137	0	<dec>	DEDZZ161	HIFIA_WellSicTC	Well	
DEHXF160	BSW_EviDCnt138	0	<dec>	DEDZJ161	HIFIA_WellSicTM	Well	
DEG70160	BSW_EviDCnt18	0	<dec>	DEDZK161	HIFIA_ValidInv	Invalid	
DEG7F160	BSW_EviDCnt19	0	<dec>	DED11161	HIFIB_OnOff	OFF	
DEG80160	BSW_EviDCnt20	0	<dec>	DED12161	HIFIB_DeadAlive	Alive	
DEN14160	BSW_EviDCnt202	0	<dec>	DED13161	HIFIB_WellSicTC	Well	
DEN15180	BSW_EviDCnt204	0	<dec>	DED14161	HIFIB_WellSicTM	Well	
DEN16180	BSW_EviDCnt206	0	<dec>	DED15161	HIFIB_ValidInv	Invalid	
DEN17180	BSW_EviDCnt207	0	<dec>				
DEN18180	BSW_EviDCnt208	0	<dec>				

CDMU checks in earth acquisition mode
File: H_FCP_DHS_EACK.xls
Author: S. Manganelli



ZAZAH999 / CDMU subsystem check H

ID	DESCRIPTION	VALUE	UNIT	ID	DESCRIPTION	VALUE	UNIT
DED4J161	HIFI_VitalCnt	1	<dec>	DEFAG160	PCDUA_On_Off	ON	
DED4G161	HIFI_VitalNonV	NonVital		DEFAH160	PCDUADeal_Alive	Alive	
DED4H161	HIFI_NomRed	NOMINAL		DEFAZ160	PCDUAWellSickTC	Well	
DED4Z161	HIFI_TmRetry	ON		DEFAJ160	PCDUAWellSickTM	Well	
DED1G161	SPIREA_OnOff	OFF		DEFAK160	PCDUA_Val_Invalid	Valid	
DED1H161	SPIREA_DealAliv	Alive		DEFB1160	PCDUB_On_Off	ON	
DED1Z161	SPIREA_WellSiTC	Well		DEFB2160	PCDUBDeal_Alive	Alive	
DED1J161	SPIREA_WellSiTM	Well		DEFB3160	PCDUBWellSickTC	Well	
DED1K161	SPIREA_ValidInv	Invalid		DEFB4160	PCDUBWellSickTM	Well	
DED21161	SPIREB_OnOff	OFF		DEFB5160	PCDUB_Val_Invalid	Valid	
DED22161	SPIREB_DealAliv	Alive		DEFDK160	PCDU_VitRT_Cnt	1	<dec>
DED23161	SPIREB_WellSiTC	Well		DEFDL160	PCDU_Vit_NoVit	NonVital	
DED24161	SPIREB_WellSiTM	Well		DEFDM160	PCDU_No_Re_RT	NOMINAL	
DED25161	SPIREB_ValidInv	Invalid		DED3G161	CCUA_OnOff	ON	
DED51161	SPIRE_VitalCnt	1	<dec>	DED3H161	CCUA_DealAlive	Alive	
DED52161	SPIRE_VitalNonV	NonVital		DED3Z161	CCUA_WellSickTC	Well	
DED53161	SPIRE_NomRed	NOMINAL		DED3J161	CCUA_WellSickTM	Well	
DED54161	SPIRE_TmRetry	ON		DED3K161	CCUA_ValidInvalid	Valid	
DED2G161	PACSA_OnOff	OFF		DED61161	CCUA_VitalCnt	1	<dec>
DED2H161	PACSA_DealAliv	Alive		DED62161	CCUA_VitalNonV	NonVital	
DED2Z161	PACSA_WellSiTC	Well		DED63161	CCUA_NomRed	NOMINAL	
DED2J161	PACSA_WellSiTM	Well		DED41161	CCUB_OnOff	ON	
DED2K161	PACSA_ValidInv	Invalid		DED42161	CCUB_DealAlive	Alive	
DED31161	PACSB_OnOff	OFF		DED43161	CCUB_WellSickTC	Well	
DED32161	PACSB_DealAliv	Alive		DED44161	CCUB_WellSickTM	Well	
DED33161	PACSB_WellSiTC	Well		DED45161	CCUB_ValidInvalid	Valid	
DED34161	PACSB_WellSiTM	Well		DED6J161	CCUB_VitalCnt	1	<dec>
DED35161	PACSB_ValidInv	Invalid		DED6G161	CCUB_VitalNonV	NonVital	
DED5J161	PACS_VitalCnt	1	<dec>	DED6H161	CCUB_NomRed	NOMINAL	
DED5G161	PACS_VitalNonV	NonVital					
DED5H161	PACS_NomRed	NOMINAL					
DED5Z161	PACS_TmRetry	ON					

CDMU checks in earth acquisition mode
 File: H_FCP_DHS_EACK.xls
 Author: S. Manganelli



ZAZAI999 / CDMU subsystem check I

ID	DESCRIPTION	VALUE	UNIT	ID	DESCRIPTION	VALUE	UNIT
DEFCG160	XPND1On_Off	ON		DEN66170	LbSts	Running	
DEFCH160	XPND1Dead_Alive	Alive		DEL05170	TcPollExecCnt		
DEFCZ160	XPND1WellSickTC	Well		DEL04170	SyncExecCnt		
DEFJ160	XPND1WellSickTM	Well		DE85A170	AcceptTcCnt	Increasing when TC	
DEFCK160	XPND1Val_Inval	Valid		DE867170	RejectTcCnt	Stable	
DEFDN160	XPND1_VitRT_Cnt	1	<dec>	DE85B170	AcceptTtTcCnt	Increasing when TC	
DEFDP160	XPND1_Vit_NoVit	NonVital		DE868170	RejectTtTcCnt	Stable	
DEFDR160	XPND1_No_Re_RTA	NOMINAL		DEH20170	ModeExecCnt		
DEFD1160	XPND2On_Off	OFF		DEG21170	EventExecCnt		
DEFD2160	XPND2Dead_Alive	Alive		DE813170	EventLastApid	Any	
DEFD3160	XPND2WellSickTC	Well		DEH22170	MonitExecCnt		
DEFD4160	XPND2WellSickTM	Well		DEG18170	DtcmExecCnt		
DEFD5160	XPND2Val_Inval	Invalid		DEH35170	ObcpManExecCnt		
DEFDS160	XPND2_VitRT_Cnt	1	<dec>	DEG22170	FdirManExecCnt		
DEFDT160	XPND2_Vit_NoVit	NonVital		DEH25170	MtlManExecCnt		
DEFDU160	XPND2_No_Re_RTA	NOMINAL		DEH24170	MtlExeExecCnt		
DE81D170	FdirMode	AFS		DEL06170	ThermExecCnt		
DEL34170	CurrentMode	EarthAcquistn		DEG16170	DhExecCnt		
DEL35170	PrevMode	EAM or Nom		DEH46170	PldManExecCnt		
DEG23170	FdirSts	Running		DEM54170	Ocl01Sts	Depends on OBCP status	
DEL08170	TtcSts	Running		DEM55170	Ocl02Sts	Depends on OBCP status	
DEL07170	ThermSts	Running		DEM56170	Ocl03Sts	Depends on OBCP status	
DEG17170	DhSts	Stopped		DEM57170	Ocl04Sts	Depends on OBCP status	
DEH45170	PcdSts	Running		DEM58170	Ocl05Sts	Depends on OBCP status	
DEH47170	PmSts	Running		DEM59170	Ocl06Sts	Depends on OBCP status	
DEH21170	ModeSts	Running		DEM60170	Ocl07Sts	Depends on OBCP status	
DEL17170	TtrSts	Stopped		DEM61170	Ocl08Sts	Depends on OBCP status	
DEG19170	EaSts	Running					
DEH36170	ObcpSts	Running					
DEH23170	MonitSts	Running					
DEH26170	MtlSts	Stopped after transition					
DEG20170	EfSts	Running					

CDMU checks in earth acquisition mode
 File: H_FCP_DHS_EACK.xls
 Author: S. Manganelli



ZAZAL999 / CDMU subsystem check L

ID	DESCRIPTION	VALUE	UNIT	ID	DESCRIPTION	VALUE	UNIT
DEM62170	Ocl09Sts	Depends on OBCP status		DEH00170	Hps7FailSts	Not_Failed	
DEM63170	Ocl10Sts	Depends on OBCP status		DEH01170	Hps7FuncSts	On	
DEM64170	Ocl11Sts	Depends on OBCP status		DEH02170	Hps7LogSts	Nominal	
DEM65170	Ocl12Sts	Depends on OBCP status		DEH03170	Hps7Use	In_Use	
DEM66170	Ocl13Sts	Depends on OBCP status		DEH04170	Hps8FailSts	Not_Failed	
DEM67170	Ocl14Sts	Depends on OBCP status		DEH05170	Hps8FuncSts	On	
DEM68170	Ocl15Sts	Depends on OBCP status		DEH06170	Hps8LogSts	Nominal	
DEM69170	Ocl16Sts	Depends on OBCP status		DEH07170	Hps8Use	In_Use	
DEG76170	Hps1FailSts	Not_Failed		DEH08170	Hps9FailSts	Not_Failed	
DEG77170	Hps1FuncSts	On		DEH09170	Hps9FuncSts	On	
DEG78170	Hps1LogSts	Nominal		DEH10170	Hps9LogSts	Nominal	
DEG79170	Hps1Use	In_Use		DEH11170	Hps9Use	In_Use	
DEG80170	Hps2FailSts	Not_Failed		DEG40170	Hps10FailSts	Not_Failed	
DEG81170	Hps2FuncSts	On		DEG41170	Hps10FuncSts	Off	
DEG82170	Hps2LogSts	Nominal		DEG42170	Hps10LogSts	Redundant	
DEG83170	Hps2Use	In_Use		DEG43170	Hps10Use	Not_In_Use	
DEG84170	Hps3FailSts	Not_Failed		DEG44170	Hps11FailSts	Not_Failed	
DEG85170	Hps3FuncSts	On		DEG45170	Hps11FuncSts	Off	
DEG86170	Hps3LogSts	Nominal		DEG46170	Hps11LogSts	Redundant	
DEG87170	Hps3Use	In_Use		DEG47170	Hps11Use	Not_In_Use	
DEG88170	Hps4FailSts	Not_Failed		DEG48170	Hps12FailSts	Not_Failed	
DEG89170	Hps4FuncSts	On		DEG49170	Hps12FuncSts	Off	
DEG90170	Hps4LogSts	Nominal		DEG50170	Hps12LogSts	Redundant	
DEG91170	Hps4Use	In_Use		DEG51170	Hps12Use	Not_In_Use	
DEG92170	Hps5FailSts	Not_Failed					
DEG93170	Hps5FuncSts	On					
DEG94170	Hps5LogSts	Nominal					
DEG95170	Hps5Use	In_Use					
DEG96170	Hps6FailSts	Not_Failed					
DEG97170	Hps6FuncSts	On					
DEG98170	Hps6LogSts	Nominal					
DEG99170	Hps6Use	In_Use					

CDMU checks in earth acquisition mode
 File: H_FCP_DHS_EACK.xls
 Author: S. Manganelli



ZAZAM999 / CDMU subsystem check M

ID	DESCRIPTION	VALUE	UNIT	ID	DESCRIPTION	VALUE	UNIT
DEG52170	Hps13FailSts	Not_Failed		DEH56170	Rfdn3FailSts	Not_Failed	
DEG53170	Hps13FuncSts	Off		DEH57170	Rfdn3FuncSts	PosA	
DEG54170	Hps13LogSts	Redundant		DEH58170	Rfdn3LogSts	Nominal	
DEG55170	Hps13Use	Not_In_Use		DEH59170	Rfdn3Use	In_Use	
DEG56170	Hps14FailSts	Not_Failed		DEH60170	Rfdn4FailSts	Not_Failed	
DEG57170	Hps14FuncSts	Off		DEH61170	Rfdn4FuncSts	PosB	
DEG58170	Hps14LogSts	Redundant		DEH62170	Rfdn4LogSts	Redundant	
DEG59170	Hps14Use	Not_In_Use		DEH63170	Rfdn4Use	Not_In_Use	
DEG60170	Hps15FailSts	Not_Failed		DEH96170	SurvReg1FailSts	Not_Failed	
DEG61170	Hps15FuncSts	Off		DEH97170	SurvReg1FuncSts	On	
DEG62170	Hps15LogSts	Redundant		DEH98170	SurvReg1LogSts	Nominal	
DEG63170	Hps15Use	Not_In_Use		DEH99170	SurvReg1Use	In_Use	
DEG64170	Hps16FailSts	Not_Failed		DEL00170	SurvReg2FailSts	Not_Failed	
DEG65170	Hps16FuncSts	Off		DEL01170	SurvReg2FuncSts	On	
DEG66170	Hps16LogSts	Redundant		DEL02170	SurvReg2LogSts	Redundant	
DEG67170	Hps16Use	Not_In_Use		DEL03170	SurvReg2Use	Not_In_Use	
DEG68170	Hps17FailSts	Not_Failed		DEH88170	Mtl1FailSts	Not_Failed	
DEG69170	Hps17FuncSts	Off		DEH89170	Mtl1FuncSts	Don't care	
DEG70170	Hps17LogSts	Redundant		DEH90170	Mtl1LogSts	Nominal	
DEG71170	Hps17Use	Not_In_Use		DEH91170	Mtl1Use	In_Use	
DEG72170	Hps18FailSts	Not_Failed		DEH92170	Mtl2FailSts	Not_Failed	
DEG73170	Hps18FuncSts	Off		DEH93170	Mtl2FuncSts	Don't care	
DEG74170	Hps18LogSts	Redundant		DEH94170	Mtl2LogSts	Redundant	
DEG75170	Hps18Use	Not_In_Use		DEH95170	Mtl2Use	Not_In_Use	
DEH48170	Rfdn1FailSts	Not_Failed		DEH72170	Sgm1FailSts	Not_Failed	
DEH49170	Rfdn1FuncSts	PosA		DEH73170	Sgm1FuncSts	On	
DEH50170	Rfdn1LogSts	Nominal		DEH74170	Sgm1LogSts	Nominal	
DEH51170	Rfdn1Use	In_Use		DEH75170	Sgm1Use	In_Use	
DEH52170	Rfdn2FailSts	Not_Failed		DEH76170	Sgm2FailSts	Not_Failed	
DEH53170	Rfdn2FuncSts	PosB		DEH77170	Sgm2FuncSts	On	
DEH54170	Rfdn2LogSts	Redundant		DEH78170	Sgm2LogSts	Redundant	
DEH55170	Rfdn2Use	Not_In_Use		DEH79170	Sgm2Use	Not_In_Use	

CDMU checks in earth acquisition mode
 File: H_FCP_DHS_EACK.xls
 Author: S. Manganelli



ZAZAN999 / CDMU subsystem check N

ID	DESCRIPTION	VALUE	UNIT	ID	DESCRIPTION	VALUE	UNIT
DEL09170	Ttr1FailSts	Not_Failed		DEL26170	XpndTx1FailSts	Not_Failed	
DEL10170	Ttr1FuncSts	On		DEL27170	XpndTx1FuncSts	On	
DEL11170	Ttr1LogSts	Nominal		DEL28170	XpndTx1LogSts	Nominal	
DEL12170	Ttr1Use	In_Use		DEL29170	XpndTx1Use	In_Use	
DEL13170	Ttr2FailSts	Not_Failed		DEL30170	XpndTx2FailSts	Not_Failed	
DEL14170	Ttr2FuncSts	On		DEL31170	XpndTx2FuncSts	Off	
DEL15170	Ttr2LogSts	Redundant		DEL32170	XpndTx2LogSts	Redundant	
DEL16170	Ttr2Use	Not_In_Use		DEL33170	XpndTx2Use	Not_In_Use	
DEH64170	Obcp1FailSts	Not_Failed		DEH12170	TwtAmp1FailSts	Not_Failed	
DEH65170	Obcp1FuncSts	On		DEH13170	TwtAmp1FuncSts	On (manually)	
DEH66170	Obcp1LogSts	Nominal		DEH14170	TwtAmp1LogSts	Nominal	
DEH67170	Obcp1Use	In_Use		DEH15170	TwtAmp1Use	In_Use	
DEH68170	Obcp2FailSts	Not_Failed		DEH16170	TwtAmp2FailSts	Not_Failed	
DEH69170	Obcp2FuncSts	On		DEH17170	TwtAmp2FuncSts	Off	
DEH70170	Obcp2LogSts	Redundant		DEH18170	TwtAmp2LogSts	Redundant	
DEH71170	Obcp2Use	Not_In_Use		DEH19170	TwtAmp2Use	Not_In_Use	
DEG08170	Cpdu1FailSts	Not_Failed		DEG24170	Epc1FailSts	Not_Failed	
DEG09170	Cpdu1FuncSts	On		DEG25170	Epc1FuncSts	On	
DEG10170	Cpdu1LogSts	Nominal		DEG26170	Epc1LogSts	Nominal	
DEG11170	Cpdu1Use	In_Use		DEG27170	Epc1Use	In_Use	
DEG12170	Cpdu2FailSts	Not_Failed		DEG28170	Epc2FailSts	Not_Failed	
DEG13170	Cpdu2FuncSts	On		DEG29170	Epc2FuncSts	Off	
DEG14170	Cpdu2LogSts	Redundant		DEG30170	Epc2LogSts	Redundant	
DEG15170	Cpdu2Use	Not_In_Use		DEG31170	Epc2Use	Not_In_Use	
DEL18170	Twta1FailSts	Not_Failed		DEL59170	XpndRx1FailSts	Not_Failed	
DEL19170	Twta1FuncSts	On		DEL58170	XpndRx1FuncSts	On	
DEL20170	Twta1LogSts	Nominal		DEL57170	XpndRx1LogSts	Nominal	
DEL21170	Twta1Use	In_Use		DEL56170	XpndRx1Use	In_Use	
DEL22170	Twta2FailSts	Not_Failed		DEL63170	XpndRx2FailSts	Not_Failed	
DEL23170	Twta2FuncSts	Off		DEL62170	XpndRx2FuncSts	On	
DEL24170	Twta2LogSts	Redundant		DEL61170	XpndRx2LogSts	Redundant	
DEL25170	Twta2Use	Not_In_Use		DEL60170	XpndRx2Use	Not_In_Use	

CDMU checks in earth acquisition mode
 File: H_FCP_DHS_EACK.xls
 Author: S. Manganelli



ZAZA0999 / CDMU subsystem check O

ID	DESCRIPTION	VALUE	UNIT	ID	DESCRIPTION	VALUE	UNIT
DEN02170	Pcd1FailSts	Not_Failed		DEN89170	Hgps16FuncSts	Off	
DEG03170	Pcd1FuncSts	On		DEN90170	Hgps17FuncSts	Off	
DEN01170	Pcd1LogSts	Nominal		DEN91170	Hgps18FuncSts	Off	
DEN00170	Pcd1Use	In_Use		DEL97171	CcuAFuncSts	On	
DEG02170	Pcd2FuncSts	Off		DEL96171	CcuBFuncSts	On	
DEN05170	Pcd2FailSts	Not_Failed		DEL41171	HifiHrvFuncSts	Off	
DEN04170	Pcd2LogSts	Redundant		DEL49171	HifiWovFuncSts	Off	
DEN03170	Pcd2Use	Not_In_Use		DEL40171	HifiWohFuncSts	Off	
DEH38171	Gyro1FuncSts	On		DEL53171	HifiWevFuncSts	Off	
DEN68171	Crs1HFuncSts	On		DEL46171	HifiHrhFuncSts	Off	
DEN69171	Crs2HFuncSts	On		DEL48171	HifiWehFuncSts	Off	
DEG01170	Str1FuncSts	On		DEL39171	HifiIvFuncSts	Off	
DEG00170	Str2FuncSts	Off		DEL55171	HifiLcuFuncSts	Off	
DEL38171	Rw1FuncSts	Off		DEL42171	HifiLsuFuncSts	Off	
DEL37171	Rw2FuncSts	Off		DEL50171	PacsDpuFuncSts	Off	
DEL36171	Rw3FuncSts	Off		DEL44171	PacsDec1FuncSts	Off	
DEG33171	Rw4FuncSts	Off		DEL54171	PacsBolc1FuncSt	Off	
DEN74170	Hgps1FuncSts	Off		DEMRF160	TME_BITRATE	150 Kbps	
DEN75170	Hgps2FuncSts	Off		DEMF0160	BSW_TM_MODE	AllVc	
DEN76170	Hgps3FuncSts	Off		RMB17442	RX1 125-4K Stat	4 Kbps	
DEN77170	Hgps4FuncSts	Off		RMB18442	RX2 125-4K Stat	4 Kbps	
DEN78170	Hgps5FuncSts	Off		DEMP0160	BSW_TMLost_VC0	Stable	
DEN79170	Hgps6FuncSts	Off		DEMPF160	BSW_TMLost_VC1	Stable	
DEN80170	Hgps7FuncSts	Off		DEMR0160	BSW_TMLost_VC4	Stable	
DEN81170	Hgps8FuncSts	Off		DELCF160	BSW_TC_PV_REJ	Stable	
DEN82170	Hgps9FuncSts	Off		DELB0160	BSW_TC_FAILED	Stable	
DEN83170	Hgps10FuncSts	Off		DELAF160	BSW_TC_Complete	increasing with TC	
DEN84170	Hgps11FuncSts	Off		DELV0160	BSW_TC_TO_ASW	increasing with TC	
DEN85170	Hgps12FuncSts	Off		DELX0160	BSW_TC_TO_ACC	increasing with TC	
DEN86170	Hgps13FuncSts	Off		DELA1160	DownloadOnVC2	1 if dumping	
DEN87170	Hgps14FuncSts	Off		DELA2160	DownloadOnVC3	1 if dumping	
DEN88170	Hgps15FuncSts	Off		DELA3160	DownloadCEL	1 if dumping	

CDMU checks in earth acquisition mode
 File: H_FCP_DHS_EACK.xls
 Author: S. Manganelli



ZAZAP999 / CDMU subsystem check P							
ID	DESCRIPTION	VALUE	UNIT	ID	DESCRIPTION	VALUE	UNIT
DEF6L160	ACCA_TFLTM	ENABLED		DEF10160	BSW_CPU_LOAD	< 50	
DEF76160	ACCB_TFLTM	ENABLED		DEK28160	SIR_N	No	
DED3L161	CCUA_TFLTM	ENABLED		DEK18160	CIR_N	No	
DED46161	CCUB_TFLTM	ENABLED		DEN0G170	ReclnProg	No	
DEDZL161	HIFIA_TFLTM	ENABLED		ZE009999	FreeRunning	SYNCHRONISED	
DED16161	HIFIB_TFLTM	ENABLED		DEKT1160	RM_A_B	A	
DED2L161	PACSA_TFLTM	ENABLED		DEKH0160	RM_A_Index_Init	as per last log	
DED36161	PACSB_TFLTM	ENABLED		DEKSF160	RM_B_Index_Init	as per last log	
DEFAL160	PCDUA_TFLTM	ENABLED					
DEFB6160	PCDUB_TFLTM	ENABLED		DEK6F160	BSW_RestLateErr	0	<dec>
DED1L161	SPIREA_TFLTM	ENABLED		DEK70160	BSW_RestPrecErr	0	<dec>
DED26161	SPIREB_TFLTM	ENABLED		DEE8F160	COM_RAM_COR_ERR	0	<dec>
DEFCL160	XPND1_TFLTM	ENABLED		DEEZ0160	TTRRMMemCorEr_A	0	<dec>
DEFD6160	XPND2_TFLTM	ENABLED		DEEZF160	TTRRMMemCorEr_B	0	<dec>
				DEEN0160	MM_1st_CorErr_A	0	<dec>
XD235991	LastModeTranTAbs	time of last mode trans		DEENF160	MM_1st_CorErr_B	0	<dec>
XD236991	LastSgmWriteTAbs	time of last SGM upd		DEF30160	BSW_CPUramCorEr	0	<dec>
XD237991	LastEatActTcTAbs	time of last EAT act TC		DEF3F160	BSW_CPUramLstEr	0	<dec>
XD238991	LastMonTriggTAbs	time of last MOT trig		DEL70160	BSW_ObtSmoothEr	in limit	
DEA70170	ModeTimeC	XD235991CoarseTime		DELZ0160	BSW_PdecA_PWEr	0	<dec>
DE825170	ModeTimeF	XD235991FineTime		DEM00160	BSW_PdecB_PWEr	0	<dec>
DEA6F170	SgmTimeC	XD236991CoarseTime					
DE823170	SgmTimeF	XD236991FineTime		DEJHF160	BSW_SeqCntError	stable	
DEA01170	EventActTimeC	XD237991CoarseTime		DEJJ0160	BSW_SeqCntEvent	incr each BSW TM(5,1)	
DE809170	EventActTimeF	XD237991FineTime		DEJF160	BSW_SeqCntExcep	stable	
DEA71170	MonitLastTimeC	XD238991CoarseTime					
DE829170	MonitLastTimeF	XD238991FineTime		DEMHF160	BSW_TM_SDB_REJ	0	<dec>
				DEFVF160	BSW_SDBACCTmNOK	0	<dec>
				DEDCF161	BSW_SDBHIFITmF	0	<dec>
				DEDDF161	BSW_SDBPACSTmF	0	<dec>
				DEDD0161	BSW_SDBSPIRETmF	0	<dec>

CDMU checks in earth acquisition mode
 File: H_FCP_DHS_EACK.xls
 Author: S. Manganelli



ZAZAQ999 / CDMU subsystem check Q

ID	DESCRIPTION	VALUE	UNIT	ID	DESCRIPTION	VALUE	UNIT
DEFPF160	BSW_SDBACCTcNOK	0	<dec>	DE840170	ObcpSentPid		
DELUF160	BSW_TcFvACC_REJ	0	<dec>				
DELU0160	BSW_TcFvCdmuRej	0	<dec>	DENAE170	MtlFirstStrtSts	Yes after first start	
DELTF160	BSW_TcFvFdirARej	0	<dec>	DENAD170	MtlResetStatus	as commanded	
DELR160	BSW_TcFvFdirCRej	0	<dec>	DENAC170	MtlInitInProgr	as commanded	
DELR0160	BSW_TcFvGndHiRej	0	<dec>				
DELTO160	BSW_TcFvGndLoRej	0	<dec>	DEN0A170	MotStatus	ENABLED	
DELS0160	BSW_TcFvMTL_REJ	0	<dec>	DE828170	MonitLastMid		
DELSF160	BSW_TcFvObcpRej	0	<dec>	DE827170	MonitLastEid		
DE866170	ExecFailTcCnt	0	<dec>	DE871170	AswNumMot	same as shown by model	
DE830170	SkipAcmsCnt	0	<dec>	DEN0B170	MonDiArm	as commanded	
DE831170	SkipCdmsCnt	0	<dec>	DEN0C170	MotDump	as commanded	
DE833171	SkipHfifCnt	0	<dec>	DEN0D170	MotClear	No	
DE836171	SkipPacsCnt	0	<dec>				
DE838171	SkipSpireCnt	0	<dec>	DE814170	EventLastEid		
DE839170	SkipSubschCnt	0	<dec>	DE804170	EventActApid		
DED9F161	BSW_SDBHIFITcF	0	<dec>	DE806170	EventActEid		
DEDAF161	BSW_SDBPACSTcF	0	<dec>	DE805170	EventActCnt		
DEDA0161	BSW_SDBSPIRETcF	0	<dec>	DE808170	EventActPseq		
				DE807170	EventActPid		
DEA58170	GndLossCtr	0	<dec>	DE9F4170	EvActCurrNo		
DE822170	MinsFromGround	incr 1/minute if no TC		DEN94170	EatClear	No	
DE81F170	FdirSentCnt	0	<dec>	DEN95170	EatDump	as commanded	
DE821170	FdirSentPseq	0	<dec>	DE80A170	EventAfoApid		
DE820170	FdirSentPid	0	<dec>	DE80B170	EventAfoCnt		
DEN0F170	FdirStopArm	as commanded		DE80C170	EventAfoEid		
				DE80D170	EventAfsApid		
DE842170	ObcpStartld			DE80E170	EventAfsCnt		
DE83C170	ObcpEndld			DE80F170	EventAfsEid		
DE83B170	ObcpActiveCnt			DE810170	EventDisApid		
DE879170	ObcpLoadProclD	last loaded ID		DE811170	EventDisCnt		
DE841170	ObcpSentPseq			DE812170	EventDisEid		

CDMU checks in earth acquisition mode
 File: H_FCP_DHS_EACK.xls
 Author: S. Manganelli



ZAD3A999 / CDMS HK-0x2492 P128 1 of 3

ID	DESCRIPTION	VALUE	UNIT	ID	DESCRIPTION	VALUE	UNIT
ZE001999	SID			DEGEF180	BSW_EviDCnt43	stable(no CO OOL)	
DEFZ0160	BSW_EviDCnt1	stable(no CO OOL)		DEGF0180	BSW_EviDCnt44	stable(no CO OOL)	
DEFZF160	BSW_EviDCnt2	stable(no CO OOL)		DEGFF160	BSW_EviDCnt45	stable(no CO OOL)	
DEG00160	BSW_EviDCnt4	stable(no CO OOL)		DEGG0160	BSW_EviDCnt46	stable(no CO OOL)	
DEG0F180	BSW_EviDCnt5	stable(no CO OOL)		DEGGF180	BSW_EviDCnt48	stable(no CO OOL)	
DEG10180	BSW_EviDCnt6	stable(no CO OOL)		DEGH0180	BSW_EviDCnt49	stable(no CO OOL)	
DEG1F180	BSW_EviDCnt7	stable(no CO OOL)		DEGHF160	BSW_EviDCnt50	stable(no CO OOL)	
DEG20180	BSW_EviDCnt8	stable(no CO OOL)		DEGJ0160	BSW_EviDCnt51	stable(no CO OOL)	
DEG2F180	BSW_EviDCnt9	stable(no CO OOL)		DEGJF180	BSW_EviDCnt52	stable(no CO OOL)	
DEG30180	BSW_EviDCnt10	stable(no CO OOL)		DEGK0180	BSW_EviDCnt53	stable(no CO OOL)	
DEG3F180	BSW_EviDCnt11	stable(no CO OOL)		DEGKF180	BSW_EviDCnt54	stable(no CO OOL)	
DEG40180	BSW_EviDCnt12	stable(no CO OOL)		DEGL0180	BSW_EviDCnt55	stable(no CO OOL)	
DEG4F180	BSW_EviDCnt13	stable(no CO OOL)		DEGLF180	BSW_EviDCnt56	stable(no CO OOL)	
DEG50160	BSW_EviDCnt14	stable(no CO OOL)		DEGM0180	BSW_EviDCnt57	stable(no CO OOL)	
DEG5F160	BSW_EviDCnt15	stable(no CO OOL)		DEGMF180	BSW_EviDCnt58	stable(no CO OOL)	
DEG60160	BSW_EviDCnt16	stable(no CO OOL)		DEGN0180	BSW_EviDCnt59	stable(no CO OOL)	
DEG6F160	BSW_EviDCnt17	stable(no CO OOL)		DEGNF160	BSW_EviDCnt60	stable(no CO OOL)	
DEG70160	BSW_EviDCnt18	stable(no CO OOL)		DEGP0160	BSW_EviDCnt61	stable(no CO OOL)	
DEG7F160	BSW_EviDCnt19	stable(no CO OOL)		DEGPF180	BSW_EviDCnt62	stable(no CO OOL)	
DEG80160	BSW_EviDCnt20	stable(no CO OOL)		DEGR0180	BSW_EviDCnt63	stable(no CO OOL)	
DEG8F160	BSW_EviDCnt21	stable(no CO OOL)		DEGRF180	BSW_EviDCnt64	stable(no CO OOL)	
DEG90160	BSW_EviDCnt22	stable(no CO OOL)		DEGS0180	BSW_EviDCnt65	stable(no CO OOL)	
DEG9F160	BSW_EviDCnt23	stable(no CO OOL)		DEGSF180	BSW_EviDCnt66	stable(no CO OOL)	
DEGA0160	BSW_EviDCnt24	stable(no CO OOL)		DEGT0180	BSW_EviDCnt67	stable(no CO OOL)	
DEGAF160	BSW_EviDCnt25	stable(no CO OOL)		DEGTF160	BSW_EviDCnt68	stable(no CO OOL)	
DEGB0160	BSW_EviDCnt26	stable(no CO OOL)		DEGU0160	BSW_EviDCnt69	stable(no CO OOL)	
DEDE0161	BSW_EviDCnt27	stable(no CO OOL)		DEGUF160	BSW_EviDCnt70	stable(no CO OOL)	
DEGC0160	BSW_EviDCnt28	stable(no CO OOL)		DEGV0160	BSW_EviDCnt71	stable(no CO OOL)	
DEGCF160	BSW_EviDCnt34	stable(no CO OOL)		DEGVF160	BSW_EviDCnt72	stable(no CO OOL)	
DEGD0160	BSW_EviDCnt36	stable(no CO OOL)		DEGX0160	BSW_EviDCnt73	stable(no CO OOL)	
DEGDF160	BSW_EviDCnt37	stable(no CO OOL)		DEGXF160	BSW_EviDCnt74	stable(no CO OOL)	
DEGE0160	BSW_EviDCnt38	stable(no CO OOL)		DEGY0160	BSW_EviDCnt75	stable(no CO OOL)	

CDMU checks in earth acquisition mode
 File: H_FCP_DHS_EACK.xls
 Author: S. Manganelli



ZAD3B999 / CDMS HK-0x2492 P128 2 of 3

ID	DESCRIPTION	VALUE	UNIT	ID	DESCRIPTION	VALUE	UNIT
DEGYF160	BSW_EviDCnt76	stable(no CO OOL)		DEHEF180	BSW_EviDCnt108	stable(no CO OOL)	
DEGZ0160	BSW_EviDCnt77	stable(no CO OOL)		DEHF0160	BSW_EviDCnt109	stable(no CO OOL)	
DEGZF160	BSW_EviDCnt78	stable(no CO OOL)		DEHFF180	BSW_EviDCnt110	stable(no CO OOL)	
DEH00160	BSW_EviDCnt79	stable(no CO OOL)		DEHG0180	BSW_EviDCnt111	stable(no CO OOL)	
DEH0F160	BSW_EviDCnt80	stable(no CO OOL)		DEHGF180	BSW_EviDCnt112	stable(no CO OOL)	
DEH10160	BSW_EviDCnt81	stable(no CO OOL)		DEHH0180	BSW_EviDCnt113	stable(no CO OOL)	
DEH1F160	BSW_EviDCnt82	stable(no CO OOL)		DEHHF180	BSW_EviDCnt114	stable(no CO OOL)	
DEH20160	BSW_EviDCnt83	stable(no CO OOL)		DEHJ0180	BSW_EviDCnt115	stable(no CO OOL)	
DEH2F160	BSW_EviDCnt84	stable(no CO OOL)		DEHJF180	BSW_EviDCnt116	stable(no CO OOL)	
DEH30160	BSW_EviDCnt85	stable(no CO OOL)		DEHK0180	BSW_EviDCnt117	stable(no CO OOL)	
DEH3F180	BSW_EviDCnt86	stable(no CO OOL)		DEHKF180	BSW_EviDCnt118	stable(no CO OOL)	
DEH40180	BSW_EviDCnt87	stable(no CO OOL)		DEHL0180	BSW_EviDCnt119	stable(no CO OOL)	
DEH4F160	BSW_EviDCnt88	stable(no CO OOL)		DEHLF180	BSW_EviDCnt120	stable(no CO OOL)	
DEH50160	BSW_EviDCnt89	stable(no CO OOL)		DEHM0180	BSW_EviDCnt121	stable(no CO OOL)	
DEH5F160	BSW_EviDCnt90	stable(no CO OOL)		DEHMF160	BSW_EviDCnt122	stable(no CO OOL)	
DEH60160	BSW_EviDCnt91	stable(no CO OOL)		DEHN0160	BSW_EviDCnt123	stable(no CO OOL)	
DEH6F180	BSW_EviDCnt92	stable(no CO OOL)		DEHNF160	BSW_EviDCnt124	stable(no CO OOL)	
DEH70180	BSW_EviDCnt93	stable(no CO OOL)		DEHP0160	BSW_EviDCnt125	stable(no CO OOL)	
DEH7F180	BSW_EviDCnt94	stable(no CO OOL)		DEHPF160	BSW_EviDCnt126	stable(no CO OOL)	
DEH80180	BSW_EviDCnt95	stable(no CO OOL)		DEHR0160	BSW_EviDCnt127	stable(no CO OOL)	
DEH8F180	BSW_EviDCnt96	stable(no CO OOL)		DEHRF160	BSW_EviDCnt128	stable(no CO OOL)	
DEH90160	BSW_EviDCnt97	stable(no CO OOL)		DEHS0160	BSW_EviDCnt129	stable(no CO OOL)	
DEH9F160	BSW_EviDCnt98	stable(no CO OOL)		DEHSF180	BSW_EviDCnt130	stable(no CO OOL)	
DEHA0180	BSW_EviDCnt99	stable(no CO OOL)		DEHT0180	BSW_EviDCnt131	stable(no CO OOL)	
DEHAF180	BSW_EviDCnt100	stable(no CO OOL)		DEHTF180	BSW_EviDCnt132	stable(no CO OOL)	
DEHB0180	BSW_EviDCnt101	stable(no CO OOL)		DEHU0180	BSW_EviDCnt133	stable(no CO OOL)	
DEHBF180	BSW_EviDCnt102	stable(no CO OOL)		DEHUF180	BSW_EviDCnt134	stable(no CO OOL)	
DEHC0180	BSW_EviDCnt103	stable(no CO OOL)		DEHV0160	BSW_EviDCnt135	stable(no CO OOL)	
DEHCF180	BSW_EviDCnt104	stable(no CO OOL)		DEHVF160	BSW_EviDCnt136	stable(no CO OOL)	
DEHD0180	BSW_EviDCnt105	stable(no CO OOL)		DEHX0160	BSW_EviDCnt137	stable(no CO OOL)	
DEHDF180	BSW_EviDCnt106	stable(no CO OOL)		DEHXF160	BSW_EviDCnt138	stable(no CO OOL)	
DEHE0180	BSW_EviDCnt107	stable(no CO OOL)		DEHY0180	BSW_EviDCnt142	stable(no CO OOL)	

CDMU checks in earth acquisition mode
 File: H_FCP_DHS_EACK.xls
 Author: S. Manganelli



ZAD3C999 / CDMS HK-0x2492 P128 3 of 3

ID	DESCRIPTION	VALUE	UNIT	ID	DESCRIPTION	VALUE	UNIT
DEHYF160	BSW_EviDCnt143	stable(no CO OOL)		DES56161	BSW_EviDCnt192	stable(no CO OOL)	
DEHZ0160	BSW_EviDCnt144	stable(no CO OOL)		DEDPF161	BSW_EviDCnt193	stable(no CO OOL)	
DEHZF160	BSW_EviDCnt147	stable(no CO OOL)		DEDR0161	BSW_EviDCnt194	stable(no CO OOL)	
DEJ00160	BSW_EviDCnt148	stable(no CO OOL)		DEDRF161	BSW_EviDCnt195	stable(no CO OOL)	
DEJ0F160	BSW_EviDCnt149	stable(no CO OOL)		DEJGF160	BSW_EviDCnt199	stable(no CO OOL)	
DES4Y161	BSW_EviDCnt150	stable(no CO OOL)		DEJH0180	BSW_EviDCnt200	stable(no CO OOL)	
DEDEF161	BSW_EviDCnt151	stable(no CO OOL)		DEN14160	BSW_EviDCnt202	stable(no CO OOL)	
DEDF0161	BSW_EviDCnt152	stable(no CO OOL)		DEN15180	BSW_EviDCnt204	stable(no CO OOL)	
DEDF161	BSW_EviDCnt153	stable(no CO OOL)		DEN16180	BSW_EviDCnt206	stable(no CO OOL)	
DES4Z161	BSW_EviDCnt157	stable(no CO OOL)		DEN17180	BSW_EviDCnt207	stable(no CO OOL)	
DEJG0161	BSW_EviDCnt158	stable(no CO OOL)		DEN18180	BSW_EviDCnt208	stable(no CO OOL)	
DEJGF161	BSW_EviDCnt159	stable(no CO OOL)		DEN19160	BSW_EviDCnt209	stable(no CO OOL)	
DES50161	BSW_EviDCnt160	stable(no CO OOL)		DES4X161	BSW_EviDCnt210	stable(no CO OOL)	
DES51161	BSW_EviDCnt161	stable(no CO OOL)		DEN20180	BSW_EviDCnt211	stable(no CO OOL)	
DEDH0161	BSW_EviDCnt162	stable(no CO OOL)		DEN21180	BSW_EviDCnt212	stable(no CO OOL)	
DEDFH161	BSW_EviDCnt163	stable(no CO OOL)		DEN22160	BSW_EviDCnt213	stable(no CO OOL)	
DEJ0161	BSW_EviDCnt164	stable(no CO OOL)		DEN23180	BSW_EviDCnt214	stable(no CO OOL)	
DEJF161	BSW_EviDCnt165	stable(no CO OOL)		DEN24160	BSW_EviDCnt215	stable(no CO OOL)	
DES53161	BSW_EviDCnt169	stable(no CO OOL)		DEDRG161	BSW_EviDCnt216	stable(no CO OOL)	
DEK0161	BSW_EviDCnt170	stable(no CO OOL)		DEDRH161	BSW_EviDCnt217	stable(no CO OOL)	
DEK161	BSW_EviDCnt171	stable(no CO OOL)		DEDRJ161	BSW_EviDCnt218	stable(no CO OOL)	
DEDL0161	BSW_EviDCnt172	stable(no CO OOL)		DES57161	BSW_EviDCnt222	stable(no CO OOL)	
DES54161	BSW_EviDCnt176	stable(no CO OOL)					
DEDLF161	BSW_EviDCnt177	stable(no CO OOL)					
DEDM0161	BSW_EviDCnt178	stable(no CO OOL)					
DEDMF161	BSW_EviDCnt179	stable(no CO OOL)					
DES55161	BSW_EviDCnt183	stable(no CO OOL)					
DEDN0161	BSW_EviDCnt184	stable(no CO OOL)					
DEDNF161	BSW_EviDCnt185	stable(no CO OOL)					
DEDP0161	BSW_EviDCnt186	stable(no CO OOL)					
DEJDF180	BSW_EviDCnt190	stable(no CO OOL)					
DEJE0180	BSW_EviDCnt191	stable(no CO OOL)					