

Memory dump for STR main
 File: H_FCP_AOC_4S51.xls
 Author: dsalt-hp



Procedure Summary

Objectives

The objective of this Herschel ACMS procedure is to dump any area of STR memory (both RAM and EEPROM).

The procedure involves the following activities:

- verify STRmain mode is not INI
- command STRmain memory dump
- collect TM(6,6) dump packets

The ACMS ASW provides a dedicated function for executing STR memory dumps. This function manages both the collection of data from the STR and the transmission to the ground through standard service 6 memory dump packets.
 No dedicated diagnostic packets are required.

Summary of Constraints

1. Spacecraft in ground contact to allow immediate processing of the dump.
2. STR not in INI mode
3. The maximum duration of the dump is 42 minutes

Spacecraft Configuration

Start of Procedure

n/a

End of Procedure

n/a

Reference File(s)

Input Command Sequences

Output Command Sequences

HFA4S51A

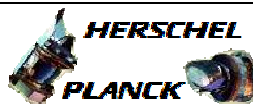
Referenced Displays

ANDs **GRDs** **SLDs**
 ZAA05999

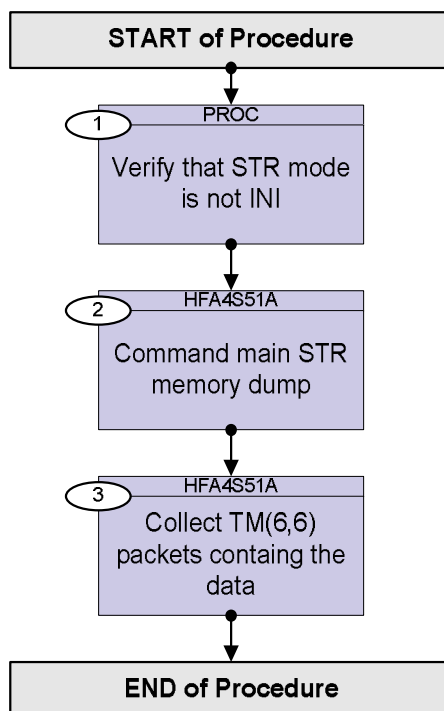
Configuration Control Information

DATE	FOP ISSUE	VERSION	MODIFICATION DESCRIPTION	AUTHOR	SPR REF
03/08/2008	1	1	Created	dsalt-hp	
22/07/2010	3.1	2	Warning about number of words having to be in multiples of 12 added in Step 2	dsalt-hp	

Memory dump for STR main
File: H_FCP_AOC_4S51.xls
Author: dsalt-hp



Procedure Flowchart Overview



Memory dump for STR main
 File: H_FCP_AOC_4S51.xls
 Author: dsalt-hp



Step No.	Time	Activity/Remarks	TC/TLM	Display/ Branch
Beginning of Procedure				
PROC Procedure Properties				
SSID :				
1		Verify that STR mode is not INI		Next Step: 2
		In ACMS mode which the STR data are used for attitude determination, the STR cannot be in INI mode without triggering FDIR. The procedure can, however be executed also in SAM, in which there is no constraint on the STR mode so that explicit check is necessary to make sure that the download commands will not be rejected by the STR.		
		Verify Telemetry STRM Mode AEX04001	<> Initialisation	AND=ZAA05999
TC Seq. Name :HFA4S51A (Dump STRM)				
TimeTag Type: Sub Schedule ID: □				
2		Command main STR memory dump		Next Step: 3
		Execute Telecommand Dump STR-main SW Command Parameter(s) : STRSw DF86 Cmd AH8U1001 Disable 86 STRSw DD86 Cmd AH8U2001 Disable 86 STRSw STR Mem AHFXM001 <dec> (Def) STRSw Nr Words AHFXN001 <dec> (Def) TC Control Flags : GBM IL DSE --Y -- --- SSID : 20 This Telecommand will not be included in the export	ACZ7P109	
		***** WARNING ***** The number of dumped words must be a <u>multiple of 12</u> , otherwise the command will fail.		
3		Collect TM(6,6) packets containing the data		Next Step: END
		The total duration of the dump can be as large as 42 minutes.		

Memory dump for STR main
File: H_FCP_AOC_4S51.xls
Author: dsalt-hp



Step No.	Time	Activity/Remarks	TC/TLM	Display/ Branch
End of Procedure				