

Recovery SpireEngPHOT_STBYtoREDY
 File: H_CRP_SPI_PH2R.xls
 Author: L.Lucas-hp



Procedure Summary

Objectives

This is a so-called standard recovery procedure for contingency situations.

This procedure takes SPIRE from PHOT_STBY mode to REDY mode, SPIRE mode should be PHOT_STBY.

SPIRE should be in PHOT_STBY mode before beginning this sequence.

NOTE: all TM checks in this procedure are optional.

Based on procedure: SpireEngPHOT_STBYtoREDY
 Generated by SPIRE/HSC:26/08/2010

Summary of Constraints

n/a

Spacecraft Configuration

Start of Procedure

SPIRE Mode =PHOT_STBY

End of Procedure

SPIRE Mode = REDY

Reference File(s)

Input Command Sequences

Output Command Sequences

HRSPH2R

Referenced Displays

ANDs	GRDs	SLDs
SA_7_559		
ZAZ90999		
SA_1_559		
SA_6_559		
ZAZ92999		
SAP0_559		

Configuration Control Information

DATE	FOP ISSUE	VERSION	MODIFICATION DESCRIPTION	AUTHOR	SPR REF
------	-----------	---------	--------------------------	--------	---------

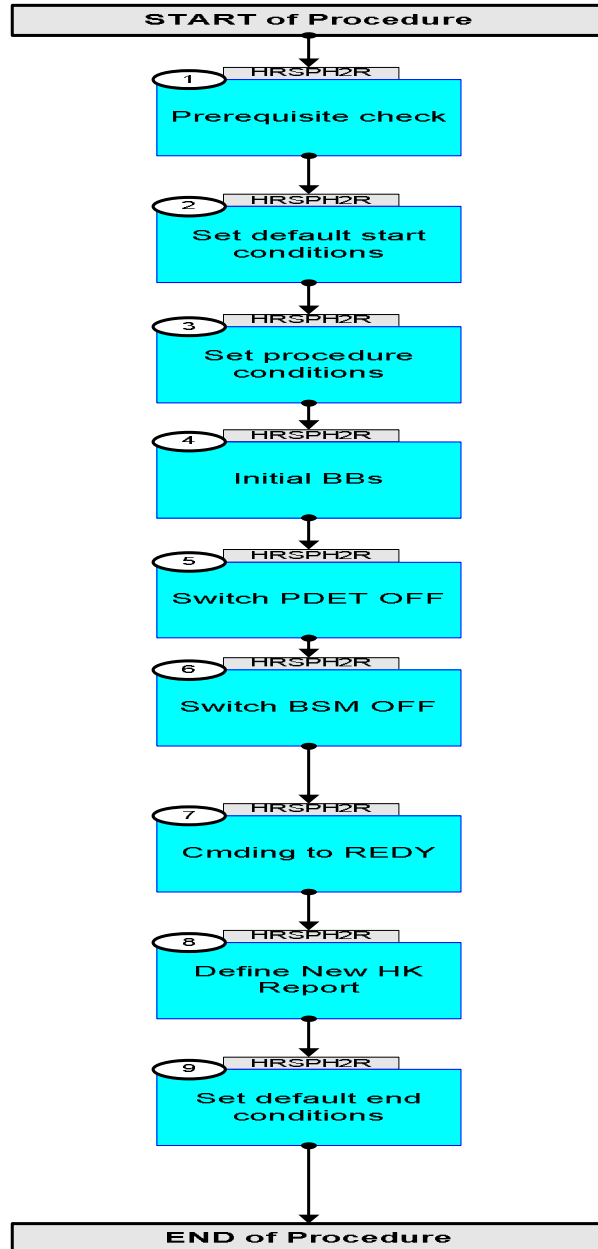
14/12/2010 3.1 1 Created
 Status : Version 1 - Updated
 Last Checkin: 14/12/2010

L.Lucas-hp

Recovery SpireEngPHOT_STBYtoREDY
File: H_CRP_SPI_PH2R.xls
Author: L.Lucas-hp



Procedure Flowchart Overview



Recovery SpireEngPHOT_STBYtoREDY File: H_CRP_SPI_PH2R.xls Author: L.Lucas-hp	 
--	--

Step No.	Time	Activity/Remarks	TC/TLM	Display/ Branch	AIT Comment
Beginning of Procedure					
TC Seq. Name : HRSRPH2R (SpireEngPHOT_STBYtoR) HRSRPH2R TimeTag Type: Y Sub Schedule ID: <input type="checkbox"/>					
1		Prerequisite check		Next Step: 2	
1.1		HSC/ICC input			
		Verify the OBSID value to be used. The default contingency OBS_ID used in this procedure is 2999 (hex) . It is possible that ICC/HSC may provide another value of their choosing.			
1.2		TM Checks			
		All TM checks within this procedure are <u>optional</u> .			
		Check Telemetry, for comparison later TM2N SMT1N500		AND=SA_7_559	
		Check Telemetry, for comparison later THSK SM00T500		AND=SA_7_559	
		Check telemetry, for comparison later MODE SM00M500		AND=SA_7_559	
2		Set default start conditions		Next Step: 3	
		Note that a TM(5,1) packet [New_Step_Report] is generated after each of the following SET_OBS_STEP telecommands			
	ET=+ UT=+00.00.00	SET_OBS_STEP Command Parameter(s) : OBSERVATION_STEP SP03N500 0 <hex> Subsch. ID : 370 Det. descr. : SET OBSERVATION STEP	SC003500	TC	
	ET=+ UT=+00.00.01	SET_BBID Command Parameter(s) : BUILDING_BLOCK_ID SP01N500 80010001 <hex> Subsch. ID : 370 Det. descr. : SET BUILDING BLOCK IDENTIFIER	SC001500	TC	

Recovery SpireEngPHOT_STBYtoREDY
 File: H_CRP_SPI_PH2R.xls
 Author: L.Lucas-hp



Step No.	Time	Activity/Remarks	TC/TLM	Display/ Branch	AIT Comment
		Verify Telemetry BBFULLTYPE SM2LN500	= ClearObs	AND=ZAZ90999	
	ET=+ UT=+00.00.00	SET_OBS_STEP Command Parameter(s) : OBSERVATION_STEP SP03N500 Subsch. ID : 370 Det. descr. : SET OBSERVATION STEP	SET_OBS_STEP SC003500 1 <hex>	TC	
	ET=+ UT=+00.00.01	SET_OBSID Command Parameter(s) : OBSERVATION_ID SP00N500 Subsch. ID : 370 Det. descr. : SET OBSERVATION IDENTIFIER	SET_OBSID SC000500 00000000 <hex>	TC	
		Verify Telemetry OBSID SM10N500	= 00000000 <hex>	AND=ZAZ90999	
	ET=+ UT=+00.00.00	SET_OBS_STEP Command Parameter(s) : OBSERVATION_STEP SP03N500 Subsch. ID : 370 Det. descr. : SET OBSERVATION STEP	SET_OBS_STEP SC003500 0 <hex>	TC	
	ET=+ UT=+00.00.01	SET_BBID Command Parameter(s) : BUILDING_BLOCK_ID SP01N500 Subsch. ID : 370 Det. descr. : SET BUILDING BLOCK IDENTIFIER	SET_BBID SC001500 80000000 <hex>	TC	
	ET=+ UT=+00.00.00	SET_OBS_STEP Command Parameter(s) : OBSERVATION_STEP SP03N500 Subsch. ID : 370 Det. descr. : SET OBSERVATION STEP	SET_OBS_STEP SC003500 0 <hex>	TC	
	ET=+ UT=+00.00.01	SET_BBID Command Parameter(s) : BUILDING_BLOCK_ID SP01N500 Subsch. ID : 370 Det. descr. : SET BUILDING BLOCK IDENTIFIER	SET_BBID SC001500 80020001 <hex>	TC	
3		Set procedure conditions		Next Step: 4	
	ET=+ UT=+00.00.00	RESET_DRCU_COUNTERS Subsch. ID : 370 Det. descr. : RESET DRCU COUNTERS	RESET_DRCU_COUNTERS SCD00505	TC	
		Verify that the TRESET parameter has the same value as the THSK parameter TRESET SM01T500	same as THSK	AND=SA_1_559	

Recovery SpireEngPHOT_STBYtoREDY
 File: H_CRP_SPI_PH2R.xls
 Author: L.Lucas-hp




Step No.	Time	Activity/Remarks	TC/TLM	Display/ Branch	AIT Comment
		THSK SM00T500	any	AND=SA_1_559	
		Note that a TM(5,1) packet [New_Step_Report] is generated after each of the following SET_OBS_STEP telecommands			
	ET=+ UT=+00.00.00	SET_OBS_STEP Command Parameter(s) : OBSERVATION_STEP SP03N500 Subsch. ID : 370 Det. descr. : SET OBSERVATION STEP	SET_OBS_STEP SC003500 1 <hex>	TC	
	ET=+ UT=+00.00.01	SET_OBSID Command Parameter(s) : OBSERVATION_ID SP00N500 Subsch. ID : 370 Det. descr. : SET OBSERVATION IDENTIFIER	SET_OBSID SC000500 2999 <hex>	TC	
		Verify Telemetry Default Contingency OBS_ID = 2999 ICC may specify another value OBSID SM10N500		AND=ZAZ90999	
4		Initial BBS		Next Step: 5	
	ET=+ UT=+00.00.01	SET_BBID_RAW Command Parameter(s) : BUILDING_BLOCK_ID SP01N500 TC Control Flags : GBM IL DSE --Y -- --- Subsch. ID : 370 Det. descr. : SET BUILDING BLOCK IDENTIFIER	SET_BBID SP01N500 864B0001 <hex>	TC	
	ET=+ UT=+00.00.00	EXECUTE_COMMAND_LIST_RAW Command Parameter(s) : N_EXECCL SPC0N500 DATA_EXECCL SPC1N500 DATA_EXECCL SPC1N500 TC Control Flags : GBM IL DSE --- -- --- Subsch. ID : 370 Det. descr. : EXECUTE COMMAND LIST HELD IN TC PACKET	EXECUTE_COMMAND_LIST SPC0N500 SPC1N500 SPC1N500 2 <hex> 58000001 <hex> 7f000000 <hex>	TC	
	ET=+ UT=+00.00.02	SEND_DRCU_COMMAND_RAW Command Parameter(s) : DRCUCOMMAND SPD4N505 OVERRIDE SPD9N505 TC Control Flags : GBM IL DSE --- -- --- Subsch. ID : 370 Det. descr. : SEND A SINGLE COMMAND TO THE DRCU	SEND_DRCU_COMMAND SPD4N505 SPD9N505 a0c60000 <hex> 0 <hex> (Def)	TC	

Recovery SpireEngPHOT_STBYtoREDY
 File: H_CRP_SPI_PH2R.xls
 Author: L.Lucas-hp




Step No.	Time	Activity/Remarks	TC/TLM	Display/ Branch	AIT Comment
5		Switch PDET OFF		Next Step: 6	
		The following commands will switch off the SPIRE Photometer			
	ET=+ UT=+00.00.02	SET_BBID_RAW Command Parameter(s) : BUILDING_BLOCK_ID TC Control Flags : Subsch. ID : 370 Det. descr. : SET BUILDING BLOCK IDENTIFIER	SET_BBID SP01N500 GBM IL DSE --- --	SC001500 85040001 <hex>	TC
	ET=+ UT=+00.00.00	SET_OBS_STEP_RAW Command Parameter(s) : OBSERVATION_STEP TC Control Flags : Subsch. ID : 370 Det. descr. : SET OBSERVATION STEP	SET_OBS_STEP SP03N500 GBM IL DSE --- --	SC003500 0 <hex>	TC
	ET=+ UT=+00.00.01	SET_OBS_MODE_RAW Command Parameter(s) : OBSERVING_MODE TC Control Flags : Subsch. ID : 370 Det. descr. : SET OBSERVING MODE	SET_OBS_MODE SP02N500 GBM IL DSE --- --	SC002500 2fe <hex>	TC
	ET=+ UT=+00.00.01	SEND_DRCU_COMMAND_RAW Command Parameter(s) : DRCUCOMMAND OVERRIDE TC Control Flags : Subsch. ID : 370 Det. descr. : SEND A SINGLE COMMAND TO THE DRCU	SEND_DRCU_COMMAND SPD4N505 SPD9N505 GBM IL DSE --- --	SCD06505 8413003f <hex> 0 <hex> (Def)	TC
	ET=+ UT=+00.00.00	SEND_DRCU_COMMAND_RAW Command Parameter(s) : DRCUCOMMAND OVERRIDE TC Control Flags : Subsch. ID : 370 Det. descr. : SEND A SINGLE COMMAND TO THE DRCU	SEND_DRCU_COMMAND SPD4N505 SPD9N505 GBM IL DSE --- --	SCD06505 84140000 <hex> 0 <hex> (Def)	TC

Recovery SpireEngPHOT_STBYtoREDY
 File: H_CRP_SPI_PH2R.xls
 Author: L.Lucas-hp



Step No.	Time	Activity/Remarks	TC/TLM	Display/ Branch	AIT Comment
	ET=+ UT=+00.00.01	SEND_DRCU_COMMAND_RAW SEND_DRCU_COMMAND Command Parameter(s) : DRCUCOMMAND SPD4N505 OVERRIDE SPD9N505 TC Control Flags : GBM IL DSE ---- Subsch. ID : 370 Det. descr. : SEND A SINGLE COMMAND TO THE DRCU	SCD06505 84120000 <hex> 0 <hex> (Def)	TC	
	ET=+ UT=+00.00.00	SEND_DRCU_COMMAND_RAW SEND_DRCU_COMMAND Command Parameter(s) : DRCUCOMMAND SPD4N505 OVERRIDE SPD9N505 TC Control Flags : GBM IL DSE ---- Subsch. ID : 370 Det. descr. : SEND A SINGLE COMMAND TO THE DRCU	SCD06505 84050000 <hex> 0 <hex> (Def)	TC	
	ET=+ UT=+00.00.01	SEND_DRCU_COMMAND_RAW SEND_DRCU_COMMAND Command Parameter(s) : DRCUCOMMAND SPD4N505 OVERRIDE SPD9N505 TC Control Flags : GBM IL DSE ---- Subsch. ID : 370 Det. descr. : SEND A SINGLE COMMAND TO THE DRCU	SCD06505 84060000 <hex> 0 <hex> (Def)	TC	
	ET=+ UT=+00.00.01	SEND_DRCU_COMMAND_RAW SEND_DRCU_COMMAND Command Parameter(s) : DRCUCOMMAND SPD4N505 OVERRIDE SPD9N505 TC Control Flags : GBM IL DSE ---- Subsch. ID : 370 Det. descr. : SEND A SINGLE COMMAND TO THE DRCU	SCD06505 84070000 <hex> 0 <hex> (Def)	TC	
	ET=+ UT=+00.00.01	SEND_DRCU_COMMAND_RAW SEND_DRCU_COMMAND Command Parameter(s) : DRCUCOMMAND SPD4N505 OVERRIDE SPD9N505 TC Control Flags : GBM IL DSE ---- Subsch. ID : 370 Det. descr. : SEND A SINGLE COMMAND TO THE DRCU	SCD06505 84080000 <hex> 0 <hex> (Def)	TC	

Recovery SpireEngPHOT_STBYtoREDY
 File: H_CRP_SPI_PH2R.xls
 Author: L.Lucas-hp



Step No.	Time	Activity/Remarks	TC/TLM	Display/ Branch	AIT Comment
	ET=+ UT=+00.00.01	SEND_DRCU_COMMAND_RAW SEND_DRCU_COMMAND Command Parameter(s) : DRCUCOMMAND SPD4N505 OVERRIDE SPD9N505 TC Control Flags : Subsch. ID : 370 Det. descr. : SEND A SINGLE COMMAND TO THE DRCU	SCD06505 84090000 <hex> 0 <hex> (Def)	TC	
	ET=+ UT=+00.00.01	SEND_DRCU_COMMAND_RAW SEND_DRCU_COMMAND Command Parameter(s) : DRCUCOMMAND SPD4N505 OVERRIDE SPD9N505 TC Control Flags : Subsch. ID : 370 Det. descr. : SEND A SINGLE COMMAND TO THE DRCU	SCD06505 840a0000 <hex> 0 <hex> (Def)	TC	
	ET=+ UT=+00.00.01	SEND_DRCU_COMMAND_RAW SEND_DRCU_COMMAND Command Parameter(s) : DRCUCOMMAND SPD4N505 OVERRIDE SPD9N505 TC Control Flags : Subsch. ID : 370 Det. descr. : SEND A SINGLE COMMAND TO THE DRCU	SCD06505 84130030 <hex> 0 <hex> (Def)	TC	
	ET=+ UT=+00.00.00	SEND_DRCU_COMMAND_RAW SEND_DRCU_COMMAND Command Parameter(s) : DRCUCOMMAND SPD4N505 OVERRIDE SPD9N505 TC Control Flags : Subsch. ID : 370 Det. descr. : SEND A SINGLE COMMAND TO THE DRCU	SCD06505 840b0000 <hex> 0 <hex> (Def)	TC	
	ET=+ UT=+00.00.01	SEND_DRCU_COMMAND_RAW SEND_DRCU_COMMAND Command Parameter(s) : DRCUCOMMAND SPD4N505 OVERRIDE SPD9N505 TC Control Flags : Subsch. ID : 370 Det. descr. : SEND A SINGLE COMMAND TO THE DRCU	SCD06505 840c0000 <hex> 0 <hex> (Def)	TC	

Recovery SpireEngPHOT_STBYtoREDY
 File: H_CRP_SPI_PH2R.xls
 Author: L.Lucas-hp



Step No.	Time	Activity/Remarks	TC/TLM	Display/ Branch	AIT Comment
	ET=+ UT=+00.00.01	SEND_DRCU_COMMAND_RAW SEND_DRCU_COMMAND Command Parameter(s) : DRCUCOMMAND SPD4N505 OVERRIDE SPD9N505 TC Control Flags : Subsch. ID : 370 Det. descr. : SEND A SINGLE COMMAND TO THE DRCU	SCD06505 840d0000 <hex> 0 <hex> (Def)	TC	
	ET=+ UT=+00.00.01	SEND_DRCU_COMMAND_RAW SEND_DRCU_COMMAND Command Parameter(s) : DRCUCOMMAND SPD4N505 OVERRIDE SPD9N505 TC Control Flags : Subsch. ID : 370 Det. descr. : SEND A SINGLE COMMAND TO THE DRCU	SCD06505 840e0000 <hex> 0 <hex> (Def)	TC	
	ET=+ UT=+00.00.01	SEND_DRCU_COMMAND_RAW SEND_DRCU_COMMAND Command Parameter(s) : DRCUCOMMAND SPD4N505 OVERRIDE SPD9N505 TC Control Flags : Subsch. ID : 370 Det. descr. : SEND A SINGLE COMMAND TO THE DRCU	SCD06505 84130000 <hex> 0 <hex> (Def)	TC	
	ET=+ UT=+00.00.00	SEND_DRCU_COMMAND_RAW SEND_DRCU_COMMAND Command Parameter(s) : DRCUCOMMAND SPD4N505 OVERRIDE SPD9N505 TC Control Flags : Subsch. ID : 370 Det. descr. : SEND A SINGLE COMMAND TO THE DRCU	SCD06505 840f0000 <hex> 0 <hex> (Def)	TC	
	ET=+ UT=+00.00.01	SEND_DRCU_COMMAND_RAW SEND_DRCU_COMMAND Command Parameter(s) : DRCUCOMMAND SPD4N505 OVERRIDE SPD9N505 TC Control Flags : Subsch. ID : 370 Det. descr. : SEND A SINGLE COMMAND TO THE DRCU	SCD06505 84100000 <hex> 0 <hex> (Def)	TC	

Recovery SpireEngPHOT_STBYtoREDY
 File: H_CRP_SPI_PH2R.xls
 Author: L.Lucas-hp



Step No.	Time	Activity/Remarks	TC/TLM	Display/ Branch	AIT Comment
	ET=+ UT=+00.00.01	SEND_DRCU_COMMAND_RAW SEND_DRCU_COMMAND Command Parameter(s) : DRCUCOMMAND SPD4N505 OVERRIDE SPD9N505 TC Control Flags : GBM IL DSE ---- Subsch. ID : 370 Det. descr. : SEND A SINGLE COMMAND TO THE DRCU	SCD06505 841a0000 <hex> 0 <hex> (Def)	TC	
	ET=+ UT=+00.00.00	SEND_DRCU_COMMAND_RAW SEND_DRCU_COMMAND Command Parameter(s) : DRCUCOMMAND SPD4N505 OVERRIDE SPD9N505 TC Control Flags : GBM IL DSE ---- Subsch. ID : 370 Det. descr. : SEND A SINGLE COMMAND TO THE DRCU	SCD06505 841b0000 <hex> 0 <hex> (Def)	TC	
	ET=+ UT=+00.00.01	SEND_DRCU_COMMAND_RAW SEND_DRCU_COMMAND Command Parameter(s) : DRCUCOMMAND SPD4N505 OVERRIDE SPD9N505 TC Control Flags : GBM IL DSE ---- Subsch. ID : 370 Det. descr. : SEND A SINGLE COMMAND TO THE DRCU	SCD06505 841c0000 <hex> 0 <hex> (Def)	TC	
	ET=+ UT=+00.00.00	SEND_DRCU_COMMAND_RAW SEND_DRCU_COMMAND Command Parameter(s) : DRCUCOMMAND SPD4N505 OVERRIDE SPD9N505 TC Control Flags : GBM IL DSE ---- Subsch. ID : 370 Det. descr. : SEND A SINGLE COMMAND TO THE DRCU	SCD06505 841d0000 <hex> 0 <hex> (Def)	TC	
	ET=+ UT=+00.00.01	SEND_DRCU_COMMAND_RAW SEND_DRCU_COMMAND Command Parameter(s) : DRCUCOMMAND SPD4N505 OVERRIDE SPD9N505 TC Control Flags : GBM IL DSE ---- Subsch. ID : 370 Det. descr. : SEND A SINGLE COMMAND TO THE DRCU	SCD06505 84010000 <hex> 0 <hex> (Def)	TC	

Recovery SpireEngPHOT_STBYtoREDY
 File: H_CRP_SPI_PH2R.xls
 Author: L.Lucas-hp



Step No.	Time	Activity/Remarks	TC/TLM	Display/ Branch	AIT Comment
	ET=+ UT=+00.00.00	SEND_DRCU_COMMAND_RAW SEND_DRCU_COMMAND Command Parameter(s) : DRCUCOMMAND SPD4N505 OVERRIDE SPD9N505 TC Control Flags : GBM IL DSE ---- Subsch. ID : 370 Det. descr. : SEND A SINGLE COMMAND TO THE DRCU	SCD06505 84020000 <hex> 0 <hex> (Def)	TC	
	ET=+ UT=+00.00.01	SEND_DRCU_COMMAND_RAW SEND_DRCU_COMMAND Command Parameter(s) : DRCUCOMMAND SPD4N505 OVERRIDE SPD9N505 TC Control Flags : GBM IL DSE ---- Subsch. ID : 370 Det. descr. : SEND A SINGLE COMMAND TO THE DRCU	SCD06505 84030000 <hex> 0 <hex> (Def)	TC	
	ET=+ UT=+00.00.00	SEND_DRCU_COMMAND_RAW SEND_DRCU_COMMAND Command Parameter(s) : DRCUCOMMAND SPD4N505 OVERRIDE SPD9N505 TC Control Flags : GBM IL DSE ---- Subsch. ID : 370 Det. descr. : SEND A SINGLE COMMAND TO THE DRCU	SCD06505 84040000 <hex> 0 <hex> (Def)	TC	
	ET=+ UT=+00.00.01	SEND_DRCU_COMMAND_RAW SEND_DRCU_COMMAND Command Parameter(s) : DRCUCOMMAND SPD4N505 OVERRIDE SPD9N505 TC Control Flags : GBM IL DSE ---- Subsch. ID : 370 Det. descr. : SEND A SINGLE COMMAND TO THE DRCU	SCD06505 a0870004 <hex> 0 <hex> (Def)	TC	
	ET=+ UT=+00.00.01	SET_BBID SET_BBID Command Parameter(s) : BUILDING_BLOCK_ID SP01N500 TC Control Flags : GBM IL DSE ---- Subsch. ID : 370 Det. descr. : SET BUILDING BLOCK IDENTIFIER	SC001500 86430001 <hex>	TC	
	ET=+ UT=+00.00.01	SEND_DRCU_COMMAND_RAW SEND_DRCU_COMMAND Command Parameter(s) : DRCUCOMMAND SPD4N505 OVERRIDE SPD9N505 TC Control Flags : GBM IL DSE ---- Subsch. ID : 370 Det. descr. : SEND A SINGLE COMMAND TO THE DRCU	SCD06505 843e0000 <hex> 0 <hex> (Def)	TC	

Recovery SpireEngPHOT_STBYtoREDY
 File: H_CRP_SPI_PH2R.xls
 Author: L.Lucas-hp



Step No.	Time	Activity/Remarks	TC/TLM	Display/ Branch	AIT Comment
	ET=+ UT=+00.00.00	SEND_DRCU_COMMAND_RAW SEND_DRCU_COMMAND Command Parameter(s) : DRCUCOMMAND SPD4N505 OVERRIDE SPD9N505 TC Control Flags : GBM IL DSE ---- Subsch. ID : 370 Det. descr. : SEND A SINGLE COMMAND TO THE DRCU	SCD06505 843c0000 <hex> 0 <hex> (Def)	TC	
	ET=+ UT=+00.00.01	SEND_DRCU_COMMAND_RAW SEND_DRCU_COMMAND Command Parameter(s) : DRCUCOMMAND SPD4N505 OVERRIDE SPD9N505 TC Control Flags : GBM IL DSE ---- Subsch. ID : 370 Det. descr. : SEND A SINGLE COMMAND TO THE DRCU	SCD06505 843d0000 <hex> 0 <hex> (Def)	TC	
	ET=+ UT=+00.00.00	SEND_DRCU_COMMAND_RAW SEND_DRCU_COMMAND Command Parameter(s) : DRCUCOMMAND SPD4N505 OVERRIDE SPD9N505 TC Control Flags : GBM IL DSE ---- Subsch. ID : 370 Det. descr. : SEND A SINGLE COMMAND TO THE DRCU	SCD06505 843e0000 <hex> 0 <hex> (Def)	TC	
		SPIRE SPIRE_PDET_OFF Procedure Completed. The following TM checks may be performed, but do not have be			
		Verify Telemetry PLIABITSTAT SM_0X520	= OFF	AND=SA_6_559	
		Verify Telemetry PSWJFETSTAT SM20F510	= 0 <hex>	AND=SA_6_559	
		Verify Telemetry PMLWJFETSTAT SM80F510	= 0 <hex>	AND=SA_6_559	
		Verify Telemetry PSWJFET1V SM20V510	= 0.0 V	AND=SA_6_559	
		Verify Telemetry PSWJFET2V SM21V510	= 0.0 V	AND=SA_6_559	
		Verify Telemetry PSWJFET3V SM22V510	= 0.0 V	AND=ZAZ92999	
		Verify Telemetry PSWJFET4V SM23V510	= 0.0 V	AND=SAP0_559	
		Verify Telemetry PSWJFET5V SM24V510	= 0.0 V	AND=SAP0_559	
		Verify Telemetry PSWJFET6V SM25V510	= 0.0 V	AND=SA_6_559	
		Verify Telemetry PMWJFET1V SM30V510	= 0.0 V	AND=SA_6_559	
		Verify Telemetry PMWJFET2V SM31V510	= 0.0V	AND=SAP0_559	

Recovery SpireEngPHOT_STBYtoREDY
 File: H_CRP_SPI_PH2R.xls
 Author: L.Lucas-hp



Step No.	Time	Activity/Remarks	TC/TLM	Display/ Branch	AIT Comment
		Verify Telemetry PMWJFET3V SM32V510	= 0.0V	AND=SA_6_559	
		Verify Telemetry PSWJFET4V SM23V510	= 0.0 V	AND=SA_6_559	
		Verify Telemetry PLWJFET1V SM50V510	= 0.0 V	AND=SAP0_559	
		Verify Telemetry PSWJFET2V SM21V510	= 0.0 V	AND=SA_6_559	
		Verify Telemetry PLIAP5V SML0V510	= 0.0 V	AND=SA_7_559	
		Verify Telemetry PLIAP9V SML1V510	= 0.0 V	AND=SA_7_559	
		Verify Telemetry PLIAM9V SML2V510	= 0.0 V	AND=SA_7_559	
6		Switch BSM OFF		Next Step: 7	
		The following commands will switch off the SPIRE BSM			
	ET=+ UT=+00.00.01	SET_BBID_RAW SET_BBID Command Parameter(s) : BUILDING_BLOCK_ID SP01N500 TC Control Flags : GBM IL DSE --Y -- --- Subsch. ID : 370 Det. descr. : SET BUILDING BLOCK IDENTIFIER	SC001500 810B0001 <hex>	TC	
	ET=+ UT=+00.00.01	SET_OBS_STEP_RAW SET_OBS_STEP Command Parameter(s) : OBSERVATION_STEP SP03N500 TC Control Flags : GBM IL DSE --- -- --- Subsch. ID : 370 Det. descr. : SET OBSERVATION STEP	SC003500 0 <hex>	TC	
	ET=+ UT=+00.00.00	SET_OBS_MODE_RAW SET_OBS_MODE Command Parameter(s) : OBSERVING_MODE SP02N500 TC Control Flags : GBM IL DSE --- -- --- Subsch. ID : 370 Det. descr. : SET OBSERVING MODE	SC002500 200 <hex>	TC	

Recovery SpireEngPHOT_STBYtoREDY
 File: H_CRP_SPI_PH2R.xls
 Author: L.Lucas-hp



Step No.	Time	Activity/Remarks	TC/TLM	Display/ Branch	AIT Comment
	ET=+ UT=+00.00.01	SEND_DRCU_COMMAND_RAW SEND_DRCU_COMMAND Command Parameter(s) : DRCUCOMMAND SPD4N505 OVERRIDE SPD9N505 TC Control Flags : GBM IL DSE ---- Subsch. ID : 370 Det. descr. : SEND A SINGLE COMMAND TO THE DRCU	SCD06505 90c38000 <hex> 0 <hex> (Def)	TC	
	ET=+ UT=+00.00.00	SEND_DRCU_COMMAND_RAW SEND_DRCU_COMMAND Command Parameter(s) : DRCUCOMMAND SPD4N505 OVERRIDE SPD9N505 TC Control Flags : GBM IL DSE ---- Subsch. ID : 370 Det. descr. : SEND A SINGLE COMMAND TO THE DRCU	SCD06505 91438000 <hex> 0 <hex> (Def)	TC	
	ET=+ UT=+00.00.01	SEND_DRCU_COMMAND_RAW SEND_DRCU_COMMAND Command Parameter(s) : DRCUCOMMAND SPD4N505 OVERRIDE SPD9N505 TC Control Flags : GBM IL DSE ---- Subsch. ID : 370 Det. descr. : SEND A SINGLE COMMAND TO THE DRCU	SCD06505 90c20003 <hex> 0 <hex> (Def)	TC	
	ET=+ UT=+00.00.00	SEND_DRCU_COMMAND_RAW SEND_DRCU_COMMAND Command Parameter(s) : DRCUCOMMAND SPD4N505 OVERRIDE SPD9N505 TC Control Flags : GBM IL DSE ---- Subsch. ID : 370 Det. descr. : SEND A SINGLE COMMAND TO THE DRCU	SCD06505 91420003 <hex> 0 <hex> (Def)	TC	
	ET=+ UT=+00.00.01	SEND_DRCU_COMMAND_RAW SEND_DRCU_COMMAND Command Parameter(s) : DRCUCOMMAND SPD4N505 OVERRIDE SPD9N505 TC Control Flags : GBM IL DSE ---- Subsch. ID : 370 Det. descr. : SEND A SINGLE COMMAND TO THE DRCU	SCD06505 90c00000 <hex> 0 <hex> (Def)	TC	

Recovery SpireEngPHOT_STBYtoREDY
 File: H_CRP_SPI_PH2R.xls
 Author: L.Lucas-hp



Step No.	Time	Activity/Remarks	TC/TLM	Display/ Branch	AIT Comment
	ET=+ UT=+00.00.00	SEND_DRCU_COMMAND_RAW SEND_DRCU_COMMAND Command Parameter(s) : DRCUCOMMAND SPD4N505 OVERRIDE SPD9N505 TC Control Flags : GBM IL DSE ---- Subsch. ID : 370 Det. descr. : SEND A SINGLE COMMAND TO THE DRCU	SCD06505 91400000 <hex> 0 <hex> (Def)	TC	
	ET=+ UT=+00.00.01	SET_BBID SET_BBID Command Parameter(s) : BUILDING_BLOCK_ID SP01N500 TC Control Flags : GBM IL DSE ---- Subsch. ID : 370 Det. descr. : SET BUILDING BLOCK IDENTIFIER	SC001500 86410001 <hex>	TC	
	ET=+ UT=+00.00.01	SEND_DRCU_COMMAND_RAW SEND_DRCU_COMMAND Command Parameter(s) : DRCUCOMMAND SPD4N505 OVERRIDE SPD9N505 TC Control Flags : GBM IL DSE ---- Subsch. ID : 370 Det. descr. : SEND A SINGLE COMMAND TO THE DRCU	SCD06505 91c30000 <hex> 0 <hex> (Def)	TC	
	ET=+ UT=+00.00.00	SEND_DRCU_COMMAND_RAW SEND_DRCU_COMMAND Command Parameter(s) : DRCUCOMMAND SPD4N505 OVERRIDE SPD9N505 TC Control Flags : GBM IL DSE ---- Subsch. ID : 370 Det. descr. : SEND A SINGLE COMMAND TO THE DRCU	SCD06505 91c20000 <hex> 0 <hex> (Def)	TC	
	ET=+ UT=+00.00.01	SEND_DRCU_COMMAND_RAW SEND_DRCU_COMMAND Command Parameter(s) : DRCUCOMMAND SPD4N505 OVERRIDE SPD9N505 TC Control Flags : GBM IL DSE ---- Subsch. ID : 370 Det. descr. : SEND A SINGLE COMMAND TO THE DRCU	SCD06505 91c10000 <hex> 0 <hex> (Def)	TC	
		The commanding to switch the BSM OFF is now completed.			
		Verify Telemetry JIGGSENSPWR SMJ0W515	= 0 <hex>	AND=SA_6_559	
		Verify Telemetry CHOPSENSPWR SMC0W515	= 0 <hex>	AND=SA_6_559	
		Check telemetry, MODE SM00M500	= REDY	AND=SA_7_559	

Recovery SpireEngPHOT_STBYtoREDY
 File: H_CRP_SPI_PH2R.xls
 Author: L.Lucas-hp



Step No.	Time	Activity/Remarks	TC/TLM	Display/ Branch	AIT Comment
7		Cmding to REDY		Next Step: 8	
	ET=+ UT=+00.00.01	SEND_DRCU_COMMAND_RAW SEND_DRCU_COMMAND Command Parameter(s) : DRCUCOMMAND SPD4N505 OVERRIDE SPD9N505 TC Control Flags : GBM IL DSE ---- Subsch. ID : 370 Det. descr. : SEND A SINGLE COMMAND TO THE DRCU	SCD06505	TC	
	ET=+ UT=+00.00.00	SEND_DRCU_COMMAND_RAW SEND_DRCU_COMMAND Command Parameter(s) : DRCUCOMMAND SPD4N505 OVERRIDE SPD9N505 TC Control Flags : GBM IL DSE ---- Subsch. ID : 370 Det. descr. : SEND A SINGLE COMMAND TO THE DRCU	SCD06505	TC	
	ET=+ UT=+00.00.01	SET_BBID SET_BBID Command Parameter(s) : BUILDING_BLOCK_ID SP01N500 TC Control Flags : GBM IL DSE ---- Subsch. ID : 370 Det. descr. : SET BUILDING BLOCK IDENTIFIER	SC001500	TC	
	ET=+ UT=+00.00.00	REPORT_TABLE REPORT_TABLE Command Parameter(s) : TABLEID_REPTAB SPB2N500 INDEX_REPTAB SPB3N500 COUNT_REPTAB SPB4N500 TC Control Flags : GBM IL DSE ---- Subsch. ID : 370 Det. descr. : REQUEST TM PACKETS REPORTING CONTENTS OF A TABLE	SCB01500	TC	
	ET=+ UT=+00.00.02	REPORT_TABLE REPORT_TABLE Command Parameter(s) : TABLEID_REPTAB SPB2N500 INDEX_REPTAB SPB3N500 COUNT_REPTAB SPB4N500 TC Control Flags : GBM IL DSE ---- Subsch. ID : 370 Det. descr. : REQUEST TM PACKETS REPORTING CONTENTS OF A TABLE	SCB01500	TC	

Recovery SpireEngPHOT_STBYtoREDY
 File: H_CRP_SPI_PH2R.xls
 Author: L.Lucas-hp



Step No.	Time	Activity/Remarks	TC/TLM	Display/ Branch	AIT Comment
	ET=+ UT=+00.00.04	REPORT_TABLE REPORT_TABLE Command Parameter(s) : TABLEID_REPTAB SPB2N500 INDEX_REPTAB SPB3N500 COUNT_REPTAB SPB4N500 TC Control Flags : GBM IL DSE --- -- -- Subsch. ID : 370 Det. descr. : REQUEST TM PACKETS REPORTING CONTENTS OF A TABLE	SCB01500 5 <hex> 0 <hex> 0 <hex>	TC	
	ET=+ UT=+00.00.06	REPORT_TABLE REPORT_TABLE Command Parameter(s) : TABLEID_REPTAB SPB2N500 INDEX_REPTAB SPB3N500 COUNT_REPTAB SPB4N500 TC Control Flags : GBM IL DSE --- -- -- Subsch. ID : 370 Det. descr. : REQUEST TM PACKETS REPORTING CONTENTS OF A TABLE	SCB01500 a <hex> 0 <hex> 0 <hex>	TC	
	ET=+ UT=+00.00.02	REPORT_TABLE REPORT_TABLE Command Parameter(s) : TABLEID_REPTAB SPB2N500 INDEX_REPTAB SPB3N500 COUNT_REPTAB SPB4N500 TC Control Flags : GBM IL DSE --- -- -- Subsch. ID : 370 Det. descr. : REQUEST TM PACKETS REPORTING CONTENTS OF A TABLE	SCB01500 32 <hex> 0 <hex> 0 <hex>	TC	
	ET=+ UT=+00.00.02	REPORT_TABLE REPORT_TABLE Command Parameter(s) : TABLEID_REPTAB SPB2N500 INDEX_REPTAB SPB3N500 COUNT_REPTAB SPB4N500 TC Control Flags : GBM IL DSE --- -- -- Subsch. ID : 370 Det. descr. : REQUEST TM PACKETS REPORTING CONTENTS OF A TABLE	SCB01500 33 <hex> 0 <hex> 0 <hex>	TC	
	ET=+ UT=+00.00.02	REPORT_TABLE REPORT_TABLE Command Parameter(s) : TABLEID_REPTAB SPB2N500 INDEX_REPTAB SPB3N500 COUNT_REPTAB SPB4N500 TC Control Flags : GBM IL DSE --- -- -- Subsch. ID : 370 Det. descr. : REQUEST TM PACKETS REPORTING CONTENTS OF A TABLE	SCB01500 34 <hex> 0 <hex> 0 <hex>	TC	

Recovery SpireEngPHOT_STBYtoREDY
 File: H_CRP_SPI_PH2R.xls
 Author: L.Lucas-hp



Step No.	Time	Activity/Remarks	TC/TLM	Display/ Branch	AIT Comment
	ET=+ UT=+00.00.02	REPORT_TABLE REPORT_TABLE Command Parameter(s) : TABLEID_REPTAB SPB2N500 INDEX_REPTAB SPB3N500 COUNT_REPTAB SPB4N500 TC Control Flags : GBM IL DSE --- - - - - Subsch. ID : 370 Det. descr. : REQUEST TM PACKETS REPORTING CONTENTS OF A TABLE	SCB01500	TC	
	ET=+ UT=+00.00.02	REPORT_TABLE REPORT_TABLE Command Parameter(s) : TABLEID_REPTAB SPB2N500 INDEX_REPTAB SPB3N500 COUNT_REPTAB SPB4N500 TC Control Flags : GBM IL DSE --- - - - - Subsch. ID : 370 Det. descr. : REQUEST TM PACKETS REPORTING CONTENTS OF A TABLE	SCB01500	TC	
	ET=+ UT=+00.00.02	REPORT_TABLE REPORT_TABLE Command Parameter(s) : TABLEID_REPTAB SPB2N500 INDEX_REPTAB SPB3N500 COUNT_REPTAB SPB4N500 TC Control Flags : GBM IL DSE --- - - - - Subsch. ID : 370 Det. descr. : REQUEST TM PACKETS REPORTING CONTENTS OF A TABLE	SCB01500	TC	
	ET=+ UT=+00.00.02	REPORT_TABLE REPORT_TABLE Command Parameter(s) : TABLEID_REPTAB SPB2N500 INDEX_REPTAB SPB3N500 COUNT_REPTAB SPB4N500 TC Control Flags : GBM IL DSE --- - - - - Subsch. ID : 370 Det. descr. : REQUEST TM PACKETS REPORTING CONTENTS OF A TABLE	SCB01500	TC	
	ET=+ UT=+00.00.02	REPORT_TABLE REPORT_TABLE Command Parameter(s) : TABLEID_REPTAB SPB2N500 INDEX_REPTAB SPB3N500 COUNT_REPTAB SPB4N500 TC Control Flags : GBM IL DSE --- - - - - Subsch. ID : 370 Det. descr. : REQUEST TM PACKETS REPORTING CONTENTS OF A TABLE	SCB01500	TC	

Recovery SpireEngPHOT_STBYtoREDY
 File: H_CRP_SPI_PH2R.xls
 Author: L.Lucas-hp



Step No.	Time	Activity/Remarks	TC/TLM	Display/ Branch	AIT Comment
	ET=+ UT=+00.00.02	REPORT_TABLE REPORT_TABLE Command Parameter(s) : TABLEID_REPTAB SPB2N500 INDEX_REPTAB SPB3N500 COUNT_REPTAB SPB4N500 TC Control Flags : GBM IL DSE --- -- -- Subsch. ID : 370 Det. descr. : REQUEST TM PACKETS REPORTING CONTENTS OF A TABLE	SCB01500 3c <hex> 0 <hex> 0 <hex>	TC	
	ET=+ UT=+00.00.04	REPORT_TABLE REPORT_TABLE Command Parameter(s) : TABLEID_REPTAB SPB2N500 INDEX_REPTAB SPB3N500 COUNT_REPTAB SPB4N500 TC Control Flags : GBM IL DSE --- -- -- Subsch. ID : 370 Det. descr. : REQUEST TM PACKETS REPORTING CONTENTS OF A TABLE	SCB01500 3d <hex> 0 <hex> 1b <hex>	TC	
	ET=+ UT=+00.00.02	REPORT_TABLE REPORT_TABLE Command Parameter(s) : TABLEID_REPTAB SPB2N500 INDEX_REPTAB SPB3N500 COUNT_REPTAB SPB4N500 TC Control Flags : GBM IL DSE --- -- -- Subsch. ID : 370 Det. descr. : REQUEST TM PACKETS REPORTING CONTENTS OF A TABLE	SCB01500 46 <hex> 0 <hex> 0 <hex>	TC	
	ET=+ UT=+00.00.04	REPORT_TABLE REPORT_TABLE Command Parameter(s) : TABLEID_REPTAB SPB2N500 INDEX_REPTAB SPB3N500 COUNT_REPTAB SPB4N500 TC Control Flags : GBM IL DSE --- -- -- Subsch. ID : 370 Det. descr. : REQUEST TM PACKETS REPORTING CONTENTS OF A TABLE	SCB01500 47 <hex> 0 <hex> 0 <hex>	TC	
	ET=+ UT=+00.00.02	REPORT_TABLE REPORT_TABLE Command Parameter(s) : TABLEID_REPTAB SPB2N500 INDEX_REPTAB SPB3N500 COUNT_REPTAB SPB4N500 TC Control Flags : GBM IL DSE --- -- -- Subsch. ID : 370 Det. descr. : REQUEST TM PACKETS REPORTING CONTENTS OF A TABLE	SCB01500 48 <hex> 0 <hex> 0 <hex>	TC	

Recovery SpireEngPHOT_STBYtoREDY
 File: H_CRP_SPI_PH2R.xls
 Author: L.Lucas-hp



Step No.	Time	Activity/Remarks	TC/TLM	Display/ Branch	AIT Comment
	ET=+ UT=+00.00.04	REPORT_TABLE REPORT_TABLE Command Parameter(s) : TABLEID_REPTAB SPB2N500 INDEX_REPTAB SPB3N500 COUNT_REPTAB SPB4N500 TC Control Flags : GBM IL DSE --- -- -- Subsch. ID : 370 Det. descr. : REQUEST TM PACKETS REPORTING CONTENTS OF A TABLE	SCB01500 49 <hex> 0 <hex> 23 <hex>	TC	
	ET=+ UT=+00.00.04	REPORT_TABLE REPORT_TABLE Command Parameter(s) : TABLEID_REPTAB SPB2N500 INDEX_REPTAB SPB3N500 COUNT_REPTAB SPB4N500 TC Control Flags : GBM IL DSE --- -- -- Subsch. ID : 370 Det. descr. : REQUEST TM PACKETS REPORTING CONTENTS OF A TABLE	SCB01500 4a <hex> 0 <hex> 0 <hex>	TC	
	ET=+ UT=+00.00.04	REPORT_TABLE REPORT_TABLE Command Parameter(s) : TABLEID_REPTAB SPB2N500 INDEX_REPTAB SPB3N500 COUNT_REPTAB SPB4N500 TC Control Flags : GBM IL DSE --- -- -- Subsch. ID : 370 Det. descr. : REQUEST TM PACKETS REPORTING CONTENTS OF A TABLE	SCB01500 4b <hex> 0 <hex> 82 <hex>	TC	
	ET=+ UT=+00.00.02	REPORT_TABLE REPORT_TABLE Command Parameter(s) : TABLEID_REPTAB SPB2N500 INDEX_REPTAB SPB3N500 COUNT_REPTAB SPB4N500 TC Control Flags : GBM IL DSE --- -- -- Subsch. ID : 370 Det. descr. : REQUEST TM PACKETS REPORTING CONTENTS OF A TABLE	SCB01500 4b <hex> 84 <hex> 75 <hex>	TC	
	ET=+ UT=+00.00.02	REPORT_TABLE REPORT_TABLE Command Parameter(s) : TABLEID_REPTAB SPB2N500 INDEX_REPTAB SPB3N500 COUNT_REPTAB SPB4N500 TC Control Flags : GBM IL DSE --- -- -- Subsch. ID : 370 Det. descr. : REQUEST TM PACKETS REPORTING CONTENTS OF A TABLE	SCB01500 50 <hex> 0 <hex> 183 <hex>	TC	

Recovery SpireEngPHOT_STBYtoREDY
 File: H_CRP_SPI_PH2R.xls
 Author: L.Lucas-hp



Step No.	Time	Activity/Remarks	TC/TLM	Display/ Branch	AIT Comment
	ET=+ UT=+00.00.04	REPORT_TABLE REPORT_TABLE Command Parameter(s) : TABLEID_REPTAB SPB2N500 INDEX_REPTAB SPB3N500 COUNT_REPTAB SPB4N500 TC Control Flags : GBM IL DSE --- - - - - Subsch. ID : 370 Det. descr. : REQUEST TM PACKETS REPORTING CONTENTS OF A TABLE	SCB01500	TC	
	ET=+ UT=+00.00.04	REPORT_TABLE REPORT_TABLE Command Parameter(s) : TABLEID_REPTAB SPB2N500 INDEX_REPTAB SPB3N500 COUNT_REPTAB SPB4N500 TC Control Flags : GBM IL DSE --- - - - - Subsch. ID : 370 Det. descr. : REQUEST TM PACKETS REPORTING CONTENTS OF A TABLE	SCB01500	TC	
	ET=+ UT=+00.00.04	REPORT_TABLE REPORT_TABLE Command Parameter(s) : TABLEID_REPTAB SPB2N500 INDEX_REPTAB SPB3N500 COUNT_REPTAB SPB4N500 TC Control Flags : GBM IL DSE --- - - - - Subsch. ID : 370 Det. descr. : REQUEST TM PACKETS REPORTING CONTENTS OF A TABLE	SCB01500	TC	
	ET=+ UT=+00.00.04	REPORT_TABLE REPORT_TABLE Command Parameter(s) : TABLEID_REPTAB SPB2N500 INDEX_REPTAB SPB3N500 COUNT_REPTAB SPB4N500 TC Control Flags : GBM IL DSE --- - - - - Subsch. ID : 370 Det. descr. : REQUEST TM PACKETS REPORTING CONTENTS OF A TABLE	SCB01500	TC	
	ET=+ UT=+00.00.04	REPORT_TABLE REPORT_TABLE Command Parameter(s) : TABLEID_REPTAB SPB2N500 INDEX_REPTAB SPB3N500 COUNT_REPTAB SPB4N500 TC Control Flags : GBM IL DSE --- - - - - Subsch. ID : 370 Det. descr. : REQUEST TM PACKETS REPORTING CONTENTS OF A TABLE	SCB01500	TC	

Recovery SpireEngPHOT_STBYtoREDY
 File: H_CRP_SPI_PH2R.xls
 Author: L.Lucas-hp



Step No.	Time	Activity/Remarks	TC/TLM	Display/ Branch	AIT Comment
	ET=+ UT=+00.00.04	REPORT_TABLE REPORT_TABLE Command Parameter(s) : TABLEID_REPTAB SPB2N500 INDEX_REPTAB SPB3N500 COUNT_REPTAB SPB4N500 TC Control Flags : GBM IL DSE --- - - - - Subsch. ID : 370 Det. descr. : REQUEST TM PACKETS REPORTING CONTENTS OF A TABLE	SCB01500	TC	
	ET=+ UT=+00.00.04	REPORT_TABLE REPORT_TABLE Command Parameter(s) : TABLEID_REPTAB SPB2N500 INDEX_REPTAB SPB3N500 COUNT_REPTAB SPB4N500 TC Control Flags : GBM IL DSE --- - - - - Subsch. ID : 370 Det. descr. : REQUEST TM PACKETS REPORTING CONTENTS OF A TABLE	SCB01500	TC	
	ET=+ UT=+00.00.04	REPORT_TABLE REPORT_TABLE Command Parameter(s) : TABLEID_REPTAB SPB2N500 INDEX_REPTAB SPB3N500 COUNT_REPTAB SPB4N500 TC Control Flags : GBM IL DSE --- - - - - Subsch. ID : 370 Det. descr. : REQUEST TM PACKETS REPORTING CONTENTS OF A TABLE	SCB01500	TC	
	ET=+ UT=+00.00.04	CHECK_MEMORY CHECK_MEMORY Command Parameter(s) : MEMORYID_CHECKMEM SPM9N500 STARTADDR_CHECKMEM SPMAN500 NSAU_CHECKMEM SPMBN500 TC Control Flags : GBM IL DSE --- - - - - Subsch. ID : 370 Det. descr. : CHECK MEMORY USING ABSOLUTE ADDRESSES	SCM02500	TC	
	ET=+ UT=+00.00.02	CHECK_MEMORY CHECK_MEMORY Command Parameter(s) : MEMORYID_CHECKMEM SPM9N500 STARTADDR_CHECKMEM SPMAN500 NSAU_CHECKMEM SPMBN500 TC Control Flags : GBM IL DSE --- - - - - Subsch. ID : 370 Det. descr. : CHECK MEMORY USING ABSOLUTE ADDRESSES	SCM02500	TC	

Recovery SpireEngPHOT_STBYtoREDY
 File: H_CRP_SPI_PH2R.xls
 Author: L.Lucas-hp



Step No.	Time	Activity/Remarks	TC/TLM	Display/ Branch	AIT Comment
	ET+= UT+=00.00.02	CHECK_MEMORY CHECK_MEMORY Command Parameter(s) : MEMORYID_CHECKMEM SPM9N500 STARTADDR_CHECKMEM SPMAN500 NSAU_CHECKMEM SPMBN500 TC Control Flags : GBM IL DSE ---- Subsch. ID : 370 Det. descr. : CHECK MEMORY USING ABSOLUTE ADDRESSES	SCM02500	TC	
	ET+= UT+=00.00.02	SET_BBID SET_BBID Command Parameter(s) : BUILDING_BLOCK_ID SP01N500 TC Control Flags : GBM IL DSE ---- Subsch. ID : 370 Det. descr. : SET BUILDING BLOCK IDENTIFIER	SC001500	TC	
8		Define New HK Report		Next Step: 9	
	ET+= UT+=00.00.01	DEFINE_NEW_HK_REPORT DEFINE_NEW_HK_REPORT Command Parameter(s) : HKPCKTID_DEFINENEWHK SPR0N500 HKSID_DEFINENEWHK SPR1N500 HKINTERVAL_DEFINENEWHK SPR2N500 HKREPEAT_DEFINENEWHK SPR3N500 TABLEID_DEFINENEWHK SPR4N500 TC Control Flags : GBM IL DSE ---- Subsch. ID : 370 Det. descr. : DEFINE NEW HOUSEKEEPING PARAMETER REPORT	SCR00500	TC	
9		Set default end conditions		Next Step: END	
		Note that a TM(5,1) packet [New_Step_Report] is generated after each of the following SET_OBS_STEP telecommands			
	ET+= UT+=00.00.00	SET_OBS_STEP SET_OBS_STEP Command Parameter(s) : OBSERVATION_STEP SP03N500 Subsch. ID : 370 Det. descr. : SET OBSERVATION STEP	SC003500	TC	
	ET+= UT+=00.00.01	SET_BBID SET_BBID Command Parameter(s) : BUILDING_BLOCK_ID SP01N500 Subsch. ID : 370 Det. descr. : SET BUILDING BLOCK IDENTIFIER	SC001500	TC	

Recovery SpireEngPHOT_STBYtoREDY
 File: H_CRP_SPI_PH2R.xls
 Author: L.Lucas-hp



Step No.	Time	Activity/Remarks	TC/TLM	Display/ Branch	AIT Comment
	ET=+ UT=+00.00.00	SET_OBS_STEP Command Parameter(s) : OBSERVATION_STEP SP03N500 Subsch. ID : 370 Det. descr. : SET OBSERVATION STEP	SET_OBS_STEP SC003500 1 <hex>	TC	
	ET=+ UT=+00.00.01	SET_OBSID Command Parameter(s) : OBSERVATION_ID SP00N500 Subsch. ID : 370 Det. descr. : SET OBSERVATION IDENTIFIER	SET_OBSID SC000500 00000000 <hex>	TC	
	ET=+ UT=+00.00.00	SET_OBS_STEP Command Parameter(s) : OBSERVATION_STEP SP03N500 Subsch. ID : 370 Det. descr. : SET OBSERVATION STEP	SET_OBS_STEP SC003500 0 <hex>	TC	
	ET=+ UT=+00.00.01	SET_BBID Command Parameter(s) : BUILDING_BLOCK_ID SP01N500 Subsch. ID : 370 Det. descr. : SET BUILDING BLOCK IDENTIFIER	SET_BBID SC001500 80000000 <hex>	TC	
	ET=+ UT=+00.00.01	SET_OBSID_RAW Command Parameter(s) : OBSERVATION_ID SP00N500 TC Control Flags : GBM IL DSE --- -- --- Subsch. ID : 370 Det. descr. : SET OBSERVATION IDENTIFIER	SET_OBSID SC000500 50000000 <hex>	TC	
End of Sequence					
End of Procedure					