

PACS OBCP Recovery
 File: H_CRP_PAC_OBCP.xls
 Author: R. Biggins



Procedure Summary

Objectives

The object of this procedure is to do the following:
 - re-enable the routing of Ground TCs
 - enable EAT entry 6

Part of the OBCP specification (H-P-1-ASPI-TN-1072) for PACS is to disable the routing of Ground-based commands. Since this routing is not enabled in the OBCP, it must be done by ground command. Note that this procedure is based on CDMU commanding, so PACS does not need to be on.

In the case that the OBCP switches off PACS, the EAT entry 6 (PACS Power Cycle) is disabled and should be re-enabled

WARNING: Without the execution of this procedure, PACS will not respond to any TC, although the CDMU will see everything as normal (no TC failure events)

Summary of Constraints

To be executed after the Spacecraft FDIR triggers an OBCP event and after PACS confirmation.

Spacecraft Configuration

Start of Procedure

n/a

End of Procedure

n/a

Reference File(s)

Input Command Sequences

Output Command Sequences

HRPOBCP

Referenced Displays

ANDs GRDs SLDs

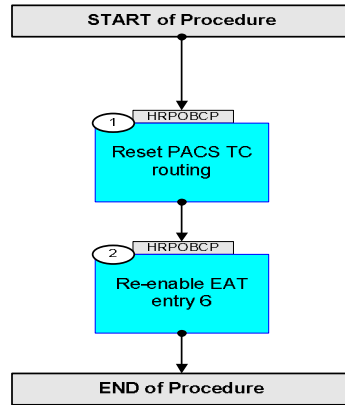
Configuration Control Information

DATE	FOP ISSUE	VERSION	MODIFICATION DESCRIPTION	AUTHOR	SPR REF
21/01/2009	2	1	Created	R. Biggins	
			Updates due to SVT-2/SOVT-2 testing <input type="checkbox"/>		
04/03/2009	2.1	2	- Time tags updated	R. Biggins	

PACS OBCP Recovery
File: H_CRP_PAC_OBCP.xls
Author: R. Biggins



Procedure Flowchart Overview



PACS OBCP Recovery
 File: H_CRP_PAC_OBCP.xls
 Author: R. Biggins



Step No.	Time	Activity/Remarks	TC/TLM	Display/ Branch																
Beginning of Procedure																				
TC Seq. Name : HRPOBCP (PACS OBCP Recovery)																				
TimeTag Type: B Sub Schedule ID: □																				
1		Reset PACS TC routing		Next Step: 2																
	ET=+00.00.00 UT=+00.00.00	Execute Telecommand EnableDisableTcRouting Command Parameter(s) : <table style="margin-left: 40px;"> <tr><td>TC_APID</td><td>DH044161</td></tr> <tr><td>TC_SRC</td><td>DH045161</td></tr> <tr><td>EOD</td><td>DH009161</td></tr> </table> TC Control Flags : <table style="margin-left: 100px;"> <tr><td>GBM</td><td>IL</td><td>DSE</td></tr> <tr><td>--Y</td><td>--</td><td>---</td></tr> </table> Subsch. ID : 10 Det. descr. : Enable/Disable TC Routing	TC_APID	DH044161	TC_SRC	DH045161	EOD	DH009161	GBM	IL	DSE	--Y	--	---	DC006161 PACS Gnd-LoPrio ENABLED					
TC_APID	DH044161																			
TC_SRC	DH045161																			
EOD	DH009161																			
GBM	IL	DSE																		
--Y	--	---																		
	ET=+00.00.01 UT=+00.00.01	Execute Telecommand ReportTcRoutingFilter Subsch. ID : 10 Det. descr. : Report TC Routing Filter	DC807180																	
2		Re-enable EAT entry 6		Next Step: END																
		WARNING: The OBCP disables EAT entry 6 for both prime and redundant units and does not re-enable it. This must be done to ensure the continued safety of PACS																		
	ET=+00.00.00 UT=+00.00.00	Execute Telecommand EnableActions Command Parameter(s) : <table style="margin-left: 40px;"> <tr><td>N_Repetition</td><td>DH041170</td></tr> <tr><td>APID_for_EAT_TC</td><td>DH236170</td></tr> <tr><td>EventId</td><td>DH146170</td></tr> <tr><td>APID_for_EAT_TC</td><td>DH236170</td></tr> <tr><td>EventId</td><td>DH146170</td></tr> </table> TC Control Flags : <table style="margin-left: 100px;"> <tr><td>GBM</td><td>IL</td><td>DSE</td></tr> <tr><td>--Y</td><td>--</td><td>---</td></tr> </table> Subsch. ID : 10 Det. descr. : TEMPLATE Enable Actions TC(19,4)	N_Repetition	DH041170	APID_for_EAT_TC	DH236170	EventId	DH146170	APID_for_EAT_TC	DH236170	EventId	DH146170	GBM	IL	DSE	--Y	--	---	DCT84170 2 <dec> PACS_Prime 6 <dec> PACS_Redundant 6 <dec>	
N_Repetition	DH041170																			
APID_for_EAT_TC	DH236170																			
EventId	DH146170																			
APID_for_EAT_TC	DH236170																			
EventId	DH146170																			
GBM	IL	DSE																		
--Y	--	---																		
End of Procedure																				