

PacsEng_BOLO_cooler
 File: H_CRP_PAC_BOLO.xls
 Author: R. Biggins



Procedure Summary

Objectives

The objective of this procedure is to setup the Bolometer Cooler recycle as an OBS mode.

Based on procedure:
 PacsEng_BOLO_cooler (v1.0) dated 16.12.2010

Summary of Constraints

To be executed on PACS/HSC request only

Spacecraft Configuration

Start of Procedure

End of Procedure

Reference File(s)

Input Command Sequences

HFKACQP2
 HFKACQP1

Output Command Sequences

HRPBOLO

Referenced Displays

ANDs GRDs SLDs

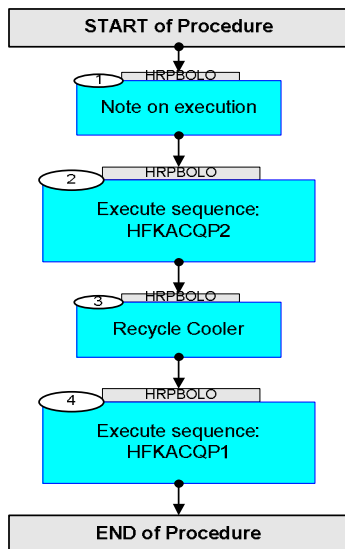
Configuration Control Information

DATE	FOP ISSUE	VERSION	MODIFICATION DESCRIPTION	AUTHOR	SPR REF
06/07/2010		1	Created	R. Biggins	
06/07/2010		2	Procedure title updated	R. Biggins	
18/11/2010		3	Update due to new inputs from PACS	R. Biggins	
10/01/2011		4	Update due to new inputs from PACS	R. Biggins	
18/01/2011	3.1	5	Minimum delta time of 1 second added	R. Biggins	

PacsEng_BOLO_cooler
File: H_CRP_PAC_BOLO.xls
Author: R. Biggins



Procedure Flowchart Overview



PacsEng_BOLO_cooler
 File: H_CRP_PAC_BOLO.xls
 Author: R. Biggins



Step No.	Time	Activity/Remarks	TC/TLM	Display/ Branch
Beginning of Procedure				
<p><i>TC Seq. Name :HRPBOLO (Cooler Recycle)</i></p> <p><i>TimeTag Type: B</i> <i>Sub Schedule ID:</i></p> <p style="text-align: center;">□</p>				
1		Note on execution		Next Step: 2
		<p>NOTE:</p> <ul style="list-style-type: none"> - There are 2 calls for sequences - There are no TM checks required - Estimated execution time ~5 minutes 		
2		Execute sequence: HFKACQP2		Next Step: 3
		Execute the following sequence:		
	ET=+00.00.05 UT=+00.00.05	Execute Sequence HFKACQP2 CCU ACQ Recyc/Decont v10 Sequence Grouping = - SSID : 0		SEQ
3		Recycle Cooler		Next Step: 4
	ET=+00.00.01 UT=+00.00.01	DMC_SET_OBSID Command Parameter(s) : OBSERVATION_ID PP069420 TC Control Flags : GBM IL DSE --Y -- --- Subsch. ID : 90 Det. descr. : SET OBSID IN DMC	PC078420 50002527 <hex>	
	ET=+00.00.06 UT=+00.00.06	Execute Telecommand Command Parameter(s) : DPU_INT_FUNCT_ID PP007380 ENABLE_DISABLE PP006380 Subsch. ID : 90 Det. descr. : ENABLE OR DISABLE A DPU INTERNAL FUNCTION	DPU_SET_FUNCT PC005380	EVENT_BOL_T_FPU DISABLE

PacsEng_BOLO_cooler
 File: H_CRP_PAC_BOLO.xls
 Author: R. Biggins



Step No.	Time	Activity/Remarks	TC/TLM	Display/ Branch
	ET=+00.00.00 UT=+00.00.00	Execute Telecommand DPU_SET_FUNCT Command Parameter(s) : DPU_INT_FUNCT_ID PP007380 ENABLE_DISABLE PP006380 Subsch. ID : 90 Det. descr. : ENABLE OR DISABLE A DPU INTERNAL FUNCTION	PC005380 EVENT_BOL_I_SP1 DISABLE	
	ET=+00.00.01 UT=+00.00.01	Execute Telecommand DPU_SET_FUNCT Command Parameter(s) : DPU_INT_FUNCT_ID PP007380 ENABLE_DISABLE PP006380 Subsch. ID : 90 Det. descr. : ENABLE OR DISABLE A DPU INTERNAL FUNCTION	PC005380 EVENT_BOL_I_SP2 ENABLE	
	ET=+00.00.01 UT=+00.00.01	Execute Telecommand DMC_SET_BBID Command Parameter(s) : BUILDING_BLOCK_ID PP070420 Subsch. ID : 90 Det. descr. : SET BBID IN DMC	PC079420 1205010433 <dec>	
	ET=+00.00.01 UT=+00.00.01	Execute Telecommand DPU_SET_HK_LIST Command Parameter(s) : HK_PACKET_ID PP005380 SPU_ARRAY PP025380 Subsch. ID : 90 Det. descr. : SET THE PREDIFINED LIST OF HK VALUES FOR THE HK PACKET	PC003380 PHOT BOTH Array	
	ET=+00.00.01 UT=+00.00.01	Execute Telecommand DMC_SEND_COMMAND_BOLC Command Parameter(s) : BOLOMETER_COMMAND PP071420 Subsch. ID : 90 Det. descr. : SEND COMMAND TO BOL CONTROLLER	PC103420 7010000 <hex>	
	ET=+00.00.01 UT=+00.00.01	Execute Telecommand DMC_SEND_COMMAND_BOLC Command Parameter(s) : BOLOMETER_COMMAND PP071420 Subsch. ID : 90 Det. descr. : SEND COMMAND TO BOL CONTROLLER	PC103420 7020000 <hex>	

PacsEng_BOLO_cooler
 File: H_CRP_PAC_BOLO.xls
 Author: R. Biggins



Step No.	Time	Activity/Remarks	TC/TLM	Display/ Branch
	ET=+00.00.01 UT=+00.00.01	Execute Telecommand DMC_SEND_COMMAND_BOLC Command Parameter(s) : BOLOMETER_COMMAND PP071420 Subsch. ID : 90 Det. descr. : SEND COMMAND TO BOL CONTROLLER	PC103420 7030DF4 <hex>	
	ET=+00.05.00 UT=+00.05.00	Execute Telecommand DMC_SEND_COMMAND_BOLC Command Parameter(s) : BOLOMETER_COMMAND PP071420 Subsch. ID : 90 Det. descr. : SEND COMMAND TO BOL CONTROLLER	PC103420 7030BC3 <hex>	
	ET=+00.15.00 UT=+00.15.00	Execute Telecommand DMC_SEND_COMMAND_BOLC Command Parameter(s) : BOLOMETER_COMMAND PP071420 Subsch. ID : 90 Det. descr. : SEND COMMAND TO BOL CONTROLLER	PC103420 70108B7 <hex>	
	ET=+00.35.00 UT=+00.35.00	Execute Telecommand DMC_SEND_COMMAND_BOLC Command Parameter(s) : BOLOMETER_COMMAND PP071420 Subsch. ID : 90 Det. descr. : SEND COMMAND TO BOL CONTROLLER	PC103420 7010244 <hex>	
	ET=+00.47.00 UT=+00.47.00	Execute Telecommand DMC_SEND_COMMAND_BOLC Command Parameter(s) : BOLOMETER_COMMAND PP071420 Subsch. ID : 90 Det. descr. : SEND COMMAND TO BOL CONTROLLER	PC103420 7030000 <hex>	
	ET=+00.12.00 UT=+00.12.00	Execute Telecommand DMC_SEND_COMMAND_BOLC Command Parameter(s) : BOLOMETER_COMMAND PP071420 Subsch. ID : 90 Det. descr. : SEND COMMAND TO BOL CONTROLLER	PC103420 7010000 <hex>	

PacsEng_BOLO_cooler
 File: H_CRP_PAC_BOLO.xls
 Author: R. Biggins



Step No.	Time	Activity/Remarks	TC/TLM	Display/ Branch
	ET=+00.00.01 UT=+00.00.01	Execute Telecommand DMC_SEND_COMMAND_BOLC Command Parameter(s) : BOLOMETER_COMMAND PP071420 Subsch. ID : 90 Det. descr. : SEND COMMAND TO BOL CONTROLLER	PC103420 7020DF1 <hex>	
	ET=+00.08.00 UT=+00.08.00	Execute Telecommand DMC_SEND_COMMAND_BOLC Command Parameter(s) : BOLOMETER_COMMAND PP071420 Subsch. ID : 90 Det. descr. : SEND COMMAND TO BOL CONTROLLER	PC103420 7020BC2 <hex>	
	ET=+00.20.01 UT=+00.20.01	Execute Telecommand DPU_SET_FUNCT Command Parameter(s) : DPU_INT_FUNCT_ID PP007380 ENABLE_DISABLE PP006380 Subsch. ID : 90 Det. descr. : ENABLE OR DISABLE A DPU INTERNAL FUNCTION	PC005380 EVENT_BOL_I_SP2 DISABLE	
	ET=+00.00.01 UT=+00.00.01	Execute Telecommand DPU_SET_FUNCT Command Parameter(s) : DPU_INT_FUNCT_ID PP007380 ENABLE_DISABLE PP006380 Subsch. ID : 90 Det. descr. : ENABLE OR DISABLE A DPU INTERNAL FUNCTION	PC005380 EVENT_BOL_I_SP1 ENABLE	
	ET=+00.00.01 UT=+00.00.01	Execute Telecommand DPU_SET_HK_LIST Command Parameter(s) : HK_PACKET_ID PP005380 SPU_ARRAY PP025380 Subsch. ID : 90 Det. descr. : SET THE PREDIFINED LIST OF HK VALUES FOR THE HK PACKET	PC003380 NO_PRIME BOTH Array	
	ET=+00.00.06 UT=+00.00.06	DMC_SET_OBSID DMC_SET_OBSID Command Parameter(s) : OBSERVATION_ID PP069420 Subsch. ID : 90 Det. descr. : SET OBSID IN DMC	PC078420 50000000 <hex>	

PacsEng_BOLO_cooler
 File: H_CRP_PAC_BOLO.xls
 Author: R. Biggins



Step No.	Time	Activity/Remarks	TC/TLM	Display/ Branch
4		Execute sequence: HFKACQP1		Next Step: END
		Execute the following sequence:		
	ET=+00.00.05 UT=+00.00.05	Execute Sequence HFKACQP1 CCU ACQ Nominal mode v10 Sequence Grouping = - SSID : 0		SEQ
End of Procedure				