

Switch OFF from Rescue mode (Nominal)
 File: H_CRP_HIF_RROF.xls
 Author: R. Biggins



Procedure Summary

Objectives

The objective of this procedure is to switch off the redundant ICU due to a boot problem resulting in HIFI not being able to exit RESCUE mode (to INTERMEDIANTE mode).

Summary of Constraints

This procedure should only be executed if the procedure H_FCP_HIF_ROIN could not be successfully completed due to the reception of a TM(5,4) or non-reception of TM(5,1) as expected.

Spacecraft Configuration

Start of Procedure

HIFI (red) is in RESCUE mode

End of Procedure

HIFI is OFF

Reference File(s)

Input Command Sequences

Output Command Sequences

HRHRROF

Referenced Displays

ANDs **GRDs** **SLDs**
 ZAZ9C999

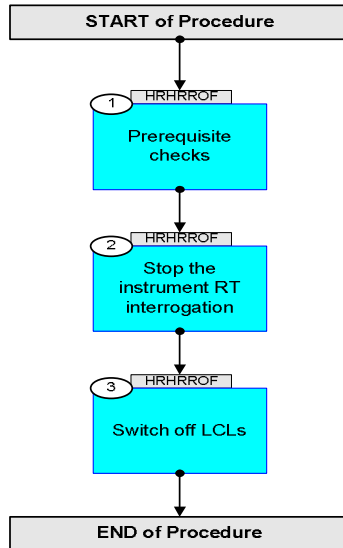
Configuration Control Information

DATE	FOP ISSUE	VERSION	MODIFICATION DESCRIPTION	AUTHOR	SPR REF
14/11/2007		1	Created	R. Biggins	
14/01/2008		2	TCs updated due to new DB	R. Biggins	
06/06/2008	1	3	Updates due to SVT-1 testing: <input type="checkbox"/> - Steps (TCs) to disable/enable SDB FDIR removed <input type="checkbox"/> - AND updated for all TM parameters - Step to disable RT interrogations moved to before LCL switch off - Flags updated	R. Biggins	
10/12/2008		4	Updates due to database - TC DC005161 database definition updated	R. Biggins	
22/01/2009	2	5	Update to enable SDB FDIR	R. Biggins	

Switch OFF from Rescue mode (Nominal)
File: H_CRP_HIF_RROF.xls
Author: R. Biggins



Procedure Flowchart Overview

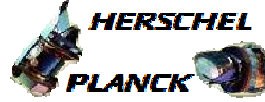


Switch OFF from Rescue mode (Nominal)
 File: H_CRP_HIF_RROF.xls
 Author: R. Biggins



Step No.	Time	Activity/Remarks	TC/TLM	Display/ Branch
Beginning of Procedure				
TC Seq. Name : HRHRROF (Rescue OFF (Red))				
TimeTag Type: N Sub Schedule ID: <input type="checkbox"/>				
1		Prerequisite checks		Next Step: 2
1.1		Instrument mode		<input type="checkbox"/>
		HIFI is in RESCUE mode. This can only be confirmed by the non-generation of HK TM with the DPU switched ON and/or the previous reception of a TM(5,4).		
1.2		Nominal instrument LCLs		<input type="checkbox"/>
		Verify: ICU LCL status HiFiIcuR_L68_1S WM62D565 = ON		AND=ZAZ9C999
		Verify Telemetry HiFiLcuR_L54_1S WM42D565 = OFF		AND=ZAZ9C999
		Verify: HRS-H LCL status HiFiHRH_L63_1S WM52C565 = OFF		AND=ZAZ9C999
		Verify: HRS-V LCL status HiFiHRV_L67_1S WM62C565 = OFF		AND=ZAZ9C999
		Verify: WBS-H LCL status HiFiWEV_L43_S WM82A565 = OFF		AND=ZAZ9C999
		Verify: WBS-V LCL status HiFiWEV_L44_S WM32A565 = OFF		AND=ZAZ9C999
2		Stop the instrument RT interrogation		Next Step: 3
		Execute Telecommand Command Parameter(s) :	ConfiguresDBFDIR DC005161	
		RTA DH011161 HIFI B		
		M0 DH030161 Update status		
		M1 DH031161 Ignore Flag		
		M2 DH032161 Ignore Flag		
		M3 DH033161 Ignore Flag		
		M4 DH034161 Update status		
		M5 DH035161 Ignore Flag		
		M6 DH036161 Ignore Flag		
		M7 DH037161 Ignore Flag		
		F0 DH018161 OFF		
		F1 DH019161 Alive		

Switch OFF from Rescue mode (Nominal)
 File: H_CRP_HIF_RROF.xls
 Author: R. Biggins



Step No.	Time	Activity/Remarks	TC/TLM	Display/ Branch
		F2 DH020161 F3 DH021161 F4 DH022161 F5 DH023161 F6 DH024161 F7 DH025161 M12 DH051161 M_C DH043161 M8 DH038161 M9 DH039161 M10 DH040161 M11 DH041161 F12 DH050161 CNT DH042161 F8 DH026161	Well TC Well TM Invalid Non-vital NOMINAL ON Update status Ignore CNT Ignore Flag Ignore Flag Ignore Flag Update status ENABLED LoopCnt1 Bus A	
		F9 DH027161 F10 DH028161 F11 DH029161 Subsch. ID : 10 Det. descr. : Configure SDB FDIR	Healthy Healthy ENABLED	
		Wait up to 1 minute for the generation of the D_H_Hk_P64 packet from the CDMU (APID = 18)		
		Verify Telemetry HIFIB_OnOff DED11161	= OFF	AND=ZAZ9C999
		Verify Telemetry HIFIB_ValidInv DED15161	= Invalid	AND=ZAZ9C999
3		Switch off LCLs		Next Step: END
		Execute Telecommand SwOff_HiFiICU_R_L68 SSID : 10	DC68B170	
		Verify: ICU LCL status HiFiIcuR_L68_1S WM62D565	= OFF	AND=ZAZ9C999
End of Procedure				