

Load a new OBSM image in Rescue mode
 File: H_CRP_HIF_RLBM.xls
 Author: R. Biggins



Procedure Summary

Objectives

The objective of this procedure is to load a copy of the OBSM to the redundant ICU from RESCUE mode

- Verify spacecraft state
- Disable SDBFDIR and enable RT interrogations
- Switch on ICU LCL
- Enable SDB FDIR and disable TFL-TM/TC FDIR
- Load OBSM image
- Boot HIFI ICU
- Enable TFL-TM/TC FDIR

Summary of Constraints

This procedure is independent of the software version

This procedure calls H_FCP_OBS_3112

Spacecraft Configuration

Start of Procedure

HIFI is in OFF

- All HIFI units powered off

End of Procedure

HIFI is in INTERMEDIATE mode

- ICU is on and running ASW

Reference File(s)

Input Command Sequences

Output Command Sequences

HRHRLBM

Referenced Displays

ANDs GRDs SLDs
 ZAZ9C999

Configuration Control Information

DATE	FOP ISSUE	VERSION	MODIFICATION DESCRIPTION	AUTHOR	SPR REF
11/01/2008		1	Created	R. Biggins	
29/02/2008		2	Update due to testing against MOC Simulator and comments by D. Teyssier: - Telecommand flags updated - Editorial updates	R. Biggins	

Load a new OBSM image in Rescue mode
 File: H_CRP_HIF_RLBM.xls
 Author: R. Biggins

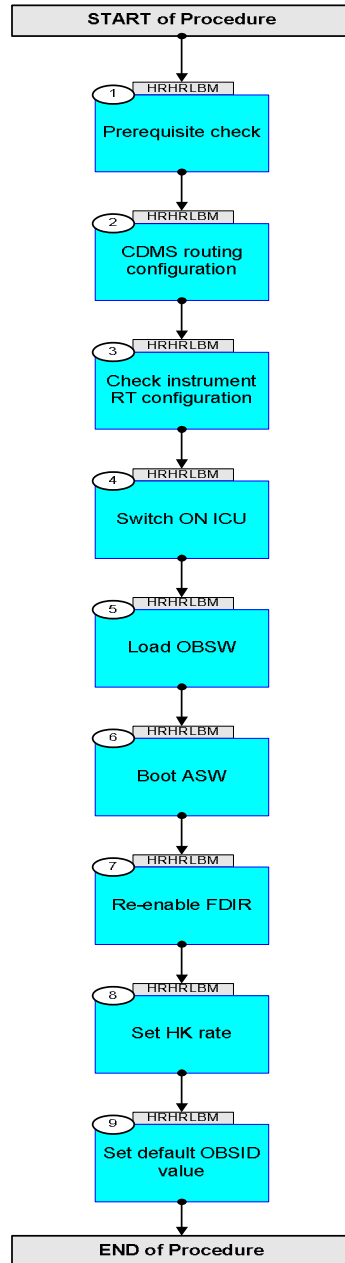


06/06/2008	1	3	Updates due to SVT-1 testing: <input type="checkbox"/> - Start RT interrogation TC updated (step 4.3) <input type="checkbox"/> - Enable SDB FDIR TC moved from step 7.1 to step 4.5 <input type="checkbox"/> - TM checks added after Load Boot TC (step 6) <input type="checkbox"/> - AND updated for all TM parameters <input type="checkbox"/> - Comments added <input type="checkbox"/> - Flags updated	R. Biggins	
19/12/2008		4	Updates due to new procedures from industry <input type="checkbox"/> - Step 4.2 and 4.3 merged <input type="checkbox"/> - TC DC005161 database definition updated <input type="checkbox"/> - Comments updated <input type="checkbox"/>	R. Biggins	
15/01/2009		4.01	Validation : Comment in step 4.3 updated (no contingency procedure to be executed)	R. Biggins	
22/01/2009	2	5	Update to disable SBD FDIR during ICU power on	R. Biggins	
24/02/2009	2.1	6	Updates due to SVT-2/SOVT-2 testing <input type="checkbox"/> <input type="checkbox"/> - Summary updated <input type="checkbox"/> - Use of DC005161 TC updated	R. Biggins	
31/03/2009	2.3	7	Update to ensure that the TFL-TM/TC FDIR is disabled during the memory load <input type="checkbox"/> - TC flags updated	R. Biggins	

Load a new OBSM image in Rescue mode
File: H_CRP_HIF_RLBM.xls
Author: R. Biggins



Procedure Flowchart Overview



Load a new OBSM image in Rescue mode
 File: H_CRP_HIF_RLBM.xls
 Author: R. Biggins



Step No.	Time	Activity/Remarks	TC/TLM	Display/ Branch
Beginning of Procedure				
TC Seq. Name : HRHRLBM (Load OBSM - Rescue)				
TimeTag Type: N Sub Schedule ID: <input type="checkbox"/>				
1		Prerequisite check		Next Step: 2
		Verify: HIFI has been switched off for at least 4 minutes		
1.1		HSC/ICC input		<input type="checkbox"/>
		Verify that the HSC has supplied a valid OBSID value OBS_ID = 0xnxxx nxxx		
		Verify that the correct information has been supplied by the ICC: Software Image (verify with OBSM engineer) ICU Software Version/Revision/Patch number		
		WARNING: The OBSM engineer should add commands from the procedure H_FCP_OBS_3112 to upload the OBSW into the correct place within this procedure (step 5) The commands should be added so that they execute automatically 10 seconds after the LCL is switched on step 4.4) and then 10 seconds after the last memory load TC is sent, the Load_Boot TC (step 6) should automatically execute		
1.2		Spacecraft mode		<input type="checkbox"/>
		Verify Telemetry CurrentMode DEL34170 = Nominal		AND=ZAZ9C999
		Verify Telemetry ACC_A_MODE AEE8G050 = Nominal		AND=ZAZ9C999
1.3		Bus status		<input type="checkbox"/>
		Verify Bus configuration		
		Verify: Active 1553 bus Active_Bus_A_B DEFJ1160 = BUS_A		AND=ZAZ9C999
		Verify: 1553 bus FDIR status SDB_FDIR DEFJ4160 = ENABLED		AND=ZAZ9C999

Load a new OBSM image in Rescue mode
 File: H_CRP_HIF_RLBM.xls
 Author: R. Biggins



Step No.	Time	Activity/Remarks	TC/TLM	Display/ Branch
		Verify: SDB handling status BSW_SDB_ENAB DEF60160	= ENABLED	AND=ZAZ9C999
		<i>Verify bus health status</i>		
		Verify: Bus (side A) health status BusA_HealthySts DEFJ2160	= Healthy	AND=ZAZ9C999
		Verify: Bus (side B) health status BusB_HealthySts DEFJ3160	= Healthy	AND=ZAZ9C999
1.4		<i>Redundant instrument LCLs</i>		<input type="checkbox"/>
		Verify: ICU LCL status HiFiIcuR_L68_1S WM62D565	= OFF	AND=ZAZ9C999
		Verify Telemetry HiFiLcuR_L54_1S WM42D565	= OFF	AND=ZAZ9C999
1.5		<i>Nominal instrument LCLs</i>		<input type="checkbox"/>
		Verify: ICU LCL status HiFiIcuN_L64_1S WM52D565	= OFF	AND=ZAZ9C999
		Verify: LCU LCL status HiFiLcuN_L53_1S WM72D565	= OFF	AND=ZAZ9C999
1.6		<i>Common LCLs</i>		<input type="checkbox"/>
		Verify: HRS-H LCL status HiFiHRH_L63_1S WM52C565	= OFF	AND=ZAZ9C999
		Verify: HRS-V LCL status HiFiHRV_L67_1S WM62C565	= OFF	AND=ZAZ9C999
		Verify: WBS-H LCL status HiFiWEV_L43_S WM82A565	= OFF	AND=ZAZ9C999
		Verify: WBS-V LCL status HiFiWEV_L44_S WM32A565	= OFF	AND=ZAZ9C999
2		<i>CDMS routing configuration</i>		Next Step: 3
	ET=+ UT=+00.00.00	Execute Telecommand RepDownlinkTMStorage TC Control Flags : GBM IL DSE --Y -- -- Subsch. ID : 10 Det. descr. : Report Telemetry Packets Down-linking/ Storage Status	DC141160	

Load a new OBSM image in Rescue mode
 File: H_CRP_HIF_RLBM.xls
 Author: R. Biggins



Step No.	Time	Activity/Remarks	TC/TLM	Display/ Branch
		<p>It should be verified that ALL telemetry packets for the following APIDs should be transmitted to ground (Transmit_Flag = ENABLED) EXCEPT for TM(21,x) which should be stored in the SSMM (Storage_Flag = ENABLED, Transmit_Flag = DISABLED).</p> <p>1025 - HifiRed 1027 - HifiRedDiagHk 1029 - HifiRedSci0 1031 - HifiRedScil</p> <p>This should be verified on the VPD</p>		
		<p>Verify Packet Reception Telemetry Packets DownLinking-Storage Status Report Packet Details:</p> <p style="text-align: right;">APID: 16 Type: 14 Subtype: 7 PI1: PI2:</p>	(14,7)-1400	
3		Check instrument RT configuration		Next Step: 4
3.1		Remote Terminal configuration		<input type="checkbox"/>
		Verify Telemetry HIFI_VitalNonV DED4G161 = NonVital		AND=ZAZ9C999
		Verify Telemetry HIFI_TmRetry DED4Z161 = ON		AND=ZAZ9C999
3.2		Remote Terminal Status		<input type="checkbox"/>
		Redundant units		
		Verify Telemetry HIFIB_OnOff DED11161 = OFF		AND=ZAZ9C999
		Verify Telemetry HIFIB_DeadAlive DED12161 = Alive		AND=ZAZ9C999
		Verify Telemetry HIFIB_WellsicTC DED13161 = Well		AND=ZAZ9C999
		Verify Telemetry HIFIB_WellsicTM DED14161 = Well		AND=ZAZ9C999
		Verify Telemetry HIFIB_ValidInv DED15161 = Invalid		AND=ZAZ9C999
		Nominal units		
		Verify Telemetry HIFIA_OnOff DEDZG161 = OFF		AND=ZAZ9C999

Load a new OBSM image in Rescue mode
 File: H_CRP_HIF_RLBM.xls
 Author: R. Biggins



Step No.	Time	Activity/Remarks	TC/TLM	Display/ Branch
		Verify Telemetry HIFIA_DeadAlive DEDZH161	= Alive	AND=ZAZ9C999
		Verify Telemetry HIFIA_WellsicTC DEDZZ161	= Well	AND=ZAZ9C999
		Verify Telemetry HIFIA_WellsicTM DEDZJ161	= Well	AND=ZAZ9C999
		Verify Telemetry HIFIA_ValidInv DEDZK161	= Invalid	AND=ZAZ9C999
4		Switch ON ICU		Next Step: 5
4.1		Set Bus Profile		<input type="checkbox"/>
	ET=+ UT=+00.00.00	Execute Telecommand SelectActiveSCBP Command Parameter(s) : SCBP DH049160 TC Control Flags : GBM IL DSE --Y -- --- Subsch. ID : 10 Det. descr. : Select Active SCBP from SCBP Table	DC819160 SCBP_02	
		Verify: Bus profile BSW_SDB_ActProf DEF5F160	= 2 <dec>	AND=ZAZ9C999
4.2		Disable SDB FDIR and enable RT interrogations		<input type="checkbox"/>
		NOTE: The following TC acts in the following order: - disables SDB FDIR for the whole spacecraft - updates the RTA status		
	ET=+ UT=+00.00.00	Execute Telecommand ConfigureSDBFDIR Command Parameter(s) : RTA DH011161 M0 DH030161 M1 DH031161 M2 DH032161 M3 DH033161 M4 DH034161 M5 DH035161 M6 DH036161 M7 DH037161 F0 DH018161 F1 DH019161	DC005161 HIFI B Update status Ignore Flag Ignore Flag Ignore Flag Update status Ignore Flag Update status Ignore Flag ON Alive	

Load a new OBSM image in Rescue mode
 File: H_CRP_HIF_RLBM.xls
 Author: R. Biggins



Step No.	Time	Activity/Remarks	TC/TLM	Display/ Branch
		F2 DH020161 F3 DH021161 F4 DH022161 F5 DH023161 F6 DH024161 F7 DH025161 M12 DH051161 M_C DH043161 M8 DH038161 M9 DH039161 M10 DH040161 M11 DH041161 F12 DH050161 CNT DH042161 F8 DH026161	Well TC Well TM Valid Non-vital REDUNDANT ON Ignore Flag Ignore CNT Ignore Flag Ignore Flag Ignore Flag Update status ENABLED LoopCnt1 Bus A	
		F9 DH027161 F10 DH028161 F11 DH029161 TC Control Flags : Subsch. ID : 10 Det. descr. : Configure SDB FDIR GBM IL DSE --Y -- ---	Healthy Healthy DISABLED	
		Wait up to 1 minute for the generation of the D_H_Hk_P64 packet from the CDMU (APID = 18)		
		Verify Telemetry SDB_FDIR DEFJ4160	= DISABLED	AND=ZAZ9C999
		Verify Telemetry HIFI_NomRed DED4H161	= REDUNDANT	AND=ZAZ9C999
		Verify Telemetry HIFIA_OnOff DEDZG161	= ON	AND=ZAZ9C999
		Verify Telemetry HIFIA_ValidInv DEDZK161	= Valid	AND=ZAZ9C999
4.3		Switch on ICU LCL		<input type="checkbox"/>
		Switching ON the ICU LCL will initialise BSW. This will initially execute memory checks (failures will generate TM(5,4) packets) and then generate TM(5,1) [HIFI_ready_event] packets every 10 seconds.		
	ET=+ UT=+00.00.00	Execute Telecommand SwOn_HiFiICU_R_L68 TC Control Flags : Subsch. ID : 10 Det. descr. : PCDU: TC(8,4,112,5) HIFI ICU Red - switch LCL_68 on GBM IL DSE --Y -- ---	DC68D170	
		Verify: ICU LCL status HiFiIcuR_L68_1S WM62D565	= ON	AND=ZAZ9C999

Load a new OBSM image in Rescue mode
 File: H_CRP_HIF_RLBM.xls
 Author: R. Biggins



Step No.	Time	Activity/Remarks	TC/TLM	Display/ Branch																																													
		Verify: ICU LCL current (+/- 10%) HiFiICU_R_L68_I WM609565	= 1.0 A	AND=ZAZ9C999																																													
		NOTE: If the TM(5,1) packet is not received or a TM(5,4) packet is received, HIFI is in RESCUE mode. The ICC should be contacted but the procedure should continue																																															
4.4		<i>Enable SDB FDIR and disable TFL-TM/TC FDIR</i>		<input type="checkbox"/>																																													
	ET=+ UT=+00.00.02	Execute Telecommand ConfigureSDBFDIR Command Parameter(s) : <table border="0"> <tr><td>RTA</td><td>DH011161</td><td>HIFI B</td></tr> <tr><td>M0</td><td>DH030161</td><td>Ignore Flag</td></tr> <tr><td>M1</td><td>DH031161</td><td>Ignore Flag</td></tr> <tr><td>M2</td><td>DH032161</td><td>Ignore Flag</td></tr> <tr><td>M3</td><td>DH033161</td><td>Ignore Flag</td></tr> <tr><td>M4</td><td>DH034161</td><td>Ignore Flag</td></tr> <tr><td>M5</td><td>DH035161</td><td>Ignore Flag</td></tr> <tr><td>M6</td><td>DH036161</td><td>Ignore Flag</td></tr> <tr><td>M7</td><td>DH037161</td><td>Ignore Flag</td></tr> <tr><td>F0</td><td>DH018161</td><td>ON</td></tr> <tr><td>F1</td><td>DH019161</td><td>Alive</td></tr> </table>	RTA	DH011161	HIFI B	M0	DH030161	Ignore Flag	M1	DH031161	Ignore Flag	M2	DH032161	Ignore Flag	M3	DH033161	Ignore Flag	M4	DH034161	Ignore Flag	M5	DH035161	Ignore Flag	M6	DH036161	Ignore Flag	M7	DH037161	Ignore Flag	F0	DH018161	ON	F1	DH019161	Alive	DC005161													
RTA	DH011161	HIFI B																																															
M0	DH030161	Ignore Flag																																															
M1	DH031161	Ignore Flag																																															
M2	DH032161	Ignore Flag																																															
M3	DH033161	Ignore Flag																																															
M4	DH034161	Ignore Flag																																															
M5	DH035161	Ignore Flag																																															
M6	DH036161	Ignore Flag																																															
M7	DH037161	Ignore Flag																																															
F0	DH018161	ON																																															
F1	DH019161	Alive																																															
		<table border="0"> <tr><td>F2</td><td>DH020161</td><td>Well TC</td></tr> <tr><td>F3</td><td>DH021161</td><td>Well TM</td></tr> <tr><td>F4</td><td>DH022161</td><td>Valid</td></tr> <tr><td>F5</td><td>DH023161</td><td>Non-vital</td></tr> <tr><td>F6</td><td>DH024161</td><td>NOMINAL</td></tr> <tr><td>F7</td><td>DH025161</td><td>ON</td></tr> <tr><td>M12</td><td>DH051161</td><td>Update status</td></tr> <tr><td>M_C</td><td>DH043161</td><td>Ignore CNT</td></tr> <tr><td>M8</td><td>DH038161</td><td>Ignore Flag</td></tr> <tr><td>M9</td><td>DH039161</td><td>Ignore Flag</td></tr> <tr><td>M10</td><td>DH040161</td><td>Ignore Flag</td></tr> <tr><td>M11</td><td>DH041161</td><td>Update status</td></tr> <tr><td>F12</td><td>DH050161</td><td>DISABLED</td></tr> <tr><td>CNT</td><td>DH042161</td><td>LoopCnt1</td></tr> <tr><td>F8</td><td>DH026161</td><td>Bus A</td></tr> </table>	F2	DH020161	Well TC	F3	DH021161	Well TM	F4	DH022161	Valid	F5	DH023161	Non-vital	F6	DH024161	NOMINAL	F7	DH025161	ON	M12	DH051161	Update status	M_C	DH043161	Ignore CNT	M8	DH038161	Ignore Flag	M9	DH039161	Ignore Flag	M10	DH040161	Ignore Flag	M11	DH041161	Update status	F12	DH050161	DISABLED	CNT	DH042161	LoopCnt1	F8	DH026161	Bus A		
F2	DH020161	Well TC																																															
F3	DH021161	Well TM																																															
F4	DH022161	Valid																																															
F5	DH023161	Non-vital																																															
F6	DH024161	NOMINAL																																															
F7	DH025161	ON																																															
M12	DH051161	Update status																																															
M_C	DH043161	Ignore CNT																																															
M8	DH038161	Ignore Flag																																															
M9	DH039161	Ignore Flag																																															
M10	DH040161	Ignore Flag																																															
M11	DH041161	Update status																																															
F12	DH050161	DISABLED																																															
CNT	DH042161	LoopCnt1																																															
F8	DH026161	Bus A																																															
		<table border="0"> <tr><td>F9</td><td>DH027161</td><td>Healthy</td></tr> <tr><td>F10</td><td>DH028161</td><td>Healthy</td></tr> <tr><td>F11</td><td>DH029161</td><td>ENABLED</td></tr> </table> Subsch. ID : 10 Det. descr. : Configure SDB FDIR	F9	DH027161	Healthy	F10	DH028161	Healthy	F11	DH029161	ENABLED																																						
F9	DH027161	Healthy																																															
F10	DH028161	Healthy																																															
F11	DH029161	ENABLED																																															
		Wait up to 1 minute for the generation of the D_H_Hk_P64 packet from the CDMU (APID = 18)																																															
		Verify Telemetry SDB_FDIR DEFJ4160	= ENABLED	AND=ZAZ9C999																																													
5		<i>Load OBSW</i>		Next Step: 6																																													

Load a new OBSM image in Rescue mode
 File: H_CRP_HIF_RLBM.xls
 Author: R. Biggins



Step No.	Time	Activity/Remarks	TC/TLM	Display/ Branch
		The OBSM engineer should already have added the commands from the procedure H_FCP_OBS_3112 to upload the OBSW. These commnads should be automatically executed		
6		<i>Boot ASW</i>		Next Step: 7
	ET=+ UT=+00.00.10	HIFI_load_boot HIFI_load_boot <i>Subsch. ID : 70</i> <i>Det. descr. : Boot the OBS-image uploaded in DRAM</i>	HC164289	
		Verify: The following TM(3,25) packets should be produced once every 10 seconds: HIFI_R_essential_HK (APID 1025) HIFI_R_HK_rev_7 (APID 1027)		
		The following version check should ensure that the expected software version is running.		
		Verify Telemetry HI_SW_Version HM010190	Version	AND=ZAZ9C999
		Verify Telemetry HI_SW_Revision HM011190	Revision	AND=ZAZ9C999
		Verify Telemetry HI_SW_Patch HM012190	Patch	AND=ZAZ9C999
	ET=+ UT=+00.00.01	HIFI_Set_OBS_ID HIFI_Set_OBS_ID <i>Command Parameter(s) :</i> HIFI_BB_ID HP001197 HIFI_OBS_ID HP000197 <i>TC Control Flags :</i> GBM IL DSE --Y -- --- <i>Subsch. ID : 70</i> <i>Det. descr. : Set Observation-ID and Building-Block-ID</i>	HC014289	1EF90001 <hex> OBS_ID
		Verify Telemetry BB_ID_per_hk HM004190	= 1EF90001 <hex>	AND=ZAZ9C999
		Verify Telemetry OBS_ID_per_hk HM003190	OBS_ID	AND=ZAZ9C999
7		<i>Re-enable FDIR</i>		Next Step: 8

Load a new OBSM image in Rescue mode
 File: H_CRP_HIF_RLBM.xls
 Author: R. Biggins



Step No.	Time	Activity/Remarks	TC/TLM	Display/ Branch																																													
	ET=+ UT=+00.00.10	Execute Telecommand ConfigureSDBFDIR Command Parameter(s) : <table border="0" style="width: 100%;"> <tr><td style="width: 150px;">RTA</td><td>DH011161</td><td>HIFI B</td></tr> <tr><td>M0</td><td>DH030161</td><td>Ignore Flag</td></tr> <tr><td>M1</td><td>DH031161</td><td>Ignore Flag</td></tr> <tr><td>M2</td><td>DH032161</td><td>Ignore Flag</td></tr> <tr><td>M3</td><td>DH033161</td><td>Ignore Flag</td></tr> <tr><td>M4</td><td>DH034161</td><td>Ignore Flag</td></tr> <tr><td>M5</td><td>DH035161</td><td>Ignore Flag</td></tr> <tr><td>M6</td><td>DH036161</td><td>Ignore Flag</td></tr> <tr><td>M7</td><td>DH037161</td><td>Ignore Flag</td></tr> <tr><td>F0</td><td>DH018161</td><td>ON</td></tr> <tr><td>F1</td><td>DH019161</td><td>Alive</td></tr> </table>	RTA	DH011161	HIFI B	M0	DH030161	Ignore Flag	M1	DH031161	Ignore Flag	M2	DH032161	Ignore Flag	M3	DH033161	Ignore Flag	M4	DH034161	Ignore Flag	M5	DH035161	Ignore Flag	M6	DH036161	Ignore Flag	M7	DH037161	Ignore Flag	F0	DH018161	ON	F1	DH019161	Alive	DC005161													
RTA	DH011161	HIFI B																																															
M0	DH030161	Ignore Flag																																															
M1	DH031161	Ignore Flag																																															
M2	DH032161	Ignore Flag																																															
M3	DH033161	Ignore Flag																																															
M4	DH034161	Ignore Flag																																															
M5	DH035161	Ignore Flag																																															
M6	DH036161	Ignore Flag																																															
M7	DH037161	Ignore Flag																																															
F0	DH018161	ON																																															
F1	DH019161	Alive																																															
		<table border="0" style="width: 100%;"> <tr><td style="width: 150px;">F2</td><td>DH020161</td><td>Well TC</td></tr> <tr><td>F3</td><td>DH021161</td><td>Well TM</td></tr> <tr><td>F4</td><td>DH022161</td><td>Valid</td></tr> <tr><td>F5</td><td>DH023161</td><td>Non-vital</td></tr> <tr><td>F6</td><td>DH024161</td><td>REDUNDANT</td></tr> <tr><td>F7</td><td>DH025161</td><td>ON</td></tr> <tr><td>M12</td><td>DH051161</td><td>Update status</td></tr> <tr><td>M_C</td><td>DH043161</td><td>Ignore CNT</td></tr> <tr><td>M8</td><td>DH038161</td><td>Ignore Flag</td></tr> <tr><td>M9</td><td>DH039161</td><td>Ignore Flag</td></tr> <tr><td>M10</td><td>DH040161</td><td>Ignore Flag</td></tr> <tr><td>M11</td><td>DH041161</td><td>Ignore Flag</td></tr> <tr><td>F12</td><td>DH050161</td><td>ENABLED</td></tr> <tr><td>CNT</td><td>DH042161</td><td>LoopCnt1</td></tr> <tr><td>F8</td><td>DH026161</td><td>Bus A</td></tr> </table>	F2	DH020161	Well TC	F3	DH021161	Well TM	F4	DH022161	Valid	F5	DH023161	Non-vital	F6	DH024161	REDUNDANT	F7	DH025161	ON	M12	DH051161	Update status	M_C	DH043161	Ignore CNT	M8	DH038161	Ignore Flag	M9	DH039161	Ignore Flag	M10	DH040161	Ignore Flag	M11	DH041161	Ignore Flag	F12	DH050161	ENABLED	CNT	DH042161	LoopCnt1	F8	DH026161	Bus A		
F2	DH020161	Well TC																																															
F3	DH021161	Well TM																																															
F4	DH022161	Valid																																															
F5	DH023161	Non-vital																																															
F6	DH024161	REDUNDANT																																															
F7	DH025161	ON																																															
M12	DH051161	Update status																																															
M_C	DH043161	Ignore CNT																																															
M8	DH038161	Ignore Flag																																															
M9	DH039161	Ignore Flag																																															
M10	DH040161	Ignore Flag																																															
M11	DH041161	Ignore Flag																																															
F12	DH050161	ENABLED																																															
CNT	DH042161	LoopCnt1																																															
F8	DH026161	Bus A																																															
		<table border="0" style="width: 100%;"> <tr><td style="width: 150px;">F9</td><td>DH027161</td><td>Healthy</td></tr> <tr><td>F10</td><td>DH028161</td><td>Healthy</td></tr> <tr><td>F11</td><td>DH029161</td><td>ENABLED</td></tr> </table> TC Control Flags : <table border="0" style="width: 100%;"> <tr><td style="width: 150px;">GBM IL DSE</td><td></td></tr> <tr><td>--Y --</td><td></td></tr> </table> Subsch. ID : 10 Det. descr. : Configure SDB FDIR	F9	DH027161	Healthy	F10	DH028161	Healthy	F11	DH029161	ENABLED	GBM IL DSE		--Y --																																			
F9	DH027161	Healthy																																															
F10	DH028161	Healthy																																															
F11	DH029161	ENABLED																																															
GBM IL DSE																																																	
--Y --																																																	
		Wait up to 1 minute for the generation of the D_H_Hk_P64 packet from the CDMU (APID = 18)																																															
		Verify Telemetry <table border="0" style="width: 100%;"> <tr><td style="width: 150px;">SDB_FDIR</td><td>DEFJ4160</td><td>= ENABLED</td></tr> </table>	SDB_FDIR	DEFJ4160	= ENABLED		AND=ZAZ9C999																																										
SDB_FDIR	DEFJ4160	= ENABLED																																															
8		Set HK rate		Next Step: 9																																													

Load a new OBSM image in Rescue mode
 File: H_CRP_HIF_RLBM.xls
 Author: R. Biggins



Step No.	Time	Activity/Remarks	TC/TLM	Display/ Branch
	ET=+ UT=+00.00.00	HIFI_Set_OBS_ID HIFI_Set_OBS_ID Command Parameter(s) : HIFI_BB_ID HP001197 HIFI_OBS_ID HP000197 TC Control Flags : GBM IL DSE --Y -- --- Subsch. ID : 70 Det. descr. : Set Observation-ID and Building-Block-ID	HC014289 1EF40001 <hex> OBS_ID	
		Verify Telemetry BB_ID_per_hk HM004190	= 1EF40001 <hex>	AND=ZAZ9C999
		Verify Telemetry OBS_ID_per_hk HM003190	OBS_ID	AND=ZAZ9C999
	ET=+ UT=+00.00.01	HIFI_Housekeeping_on HIFI_Housekeeping_on Command Parameter(s) : HIF_HK_rate HP012197 HIF_FCU_S HP006197 HIF_LCU_S HP007197 HIF_WBSV_S HP009197 HIF_WBSH_S HP008197 HIF_HRSV_S HP011197 HIF_HRSH_S HP010197 TC Control Flags : GBM IL DSE --Y -- ---	HC016289 1_pkt_per_4_s ON (Def) ON (Def) ON (Def) ON (Def) ON (Def) ON (Def)	
		Subsch. ID : 70 Det. descr. : Sets periodic housekeeping packet generation period		
		Verify: The following TM(3,25) packets should be produced once every 4 seconds: HIFI_R_essential_HK (APID 1025) HIFI_R_HK_rev_7 (APID 1027)		
9		Set default OBSID value		Next Step: END

Load a new OBSM image in Rescue mode
 File: H_CRP_HIF_RLBM.xls
 Author: R. Biggins



Step No.	Time	Activity/Remarks	TC/TLM	Display/ Branch
	ET=+ UT=+00.00.01	HIFI_Set_OBS_ID HIFI_Set_OBS_ID <i>Command Parameter(s) :</i> HIFI_BB_ID HP001197 HIFI_OBS_ID HP000197 <i>TC Control Flags :</i> GBM IL DSE --Y -- --- <i>Subsch. ID : 70</i> Det. descr. : Set Observation-ID and Building-Block-ID	HC014289 0 <hex> (Def) 0 <hex> (Def)	
		Verify Telemetry BB_ID_per_hk HM004190	= 0 <hex>	AND=ZAZ9C999
		Verify Telemetry OBS_ID_per_hk HM003190	= 0 <hex>	AND=ZAZ9C999
End of Procedure				