

Rollback from TTR sw/over as for CRP_DHS_1009
 File: H_CRP_DHS_1010.xls
 Author: S. Manganelli



Procedure Summary

Objectives

This procedure shall bring back the TTR-Encoder-OBT chain from B in use to A in use.
 The procedure has to be run only to roll back the actions performed by CRP_DHS_1009 (that was called as part of the NOTM system procedure).

Summary of Constraints

All TTR related units are healthy (otherwise the enabling of EAT entry at step 3 has to be modified)

Spacecraft Configuration

Start of Procedure

TTR B in use, TTR A nominal

End of Procedure

TTR-Encoder-OBT chain A in use. 6 EAT entries re-enabled if step 3 is executed.

Reference File(s)

Input Command Sequences

Output Command Sequences

HRD1010

Referenced Displays

ANDs GRDs SLDs
 ZAZAN999
 ZAZAA999

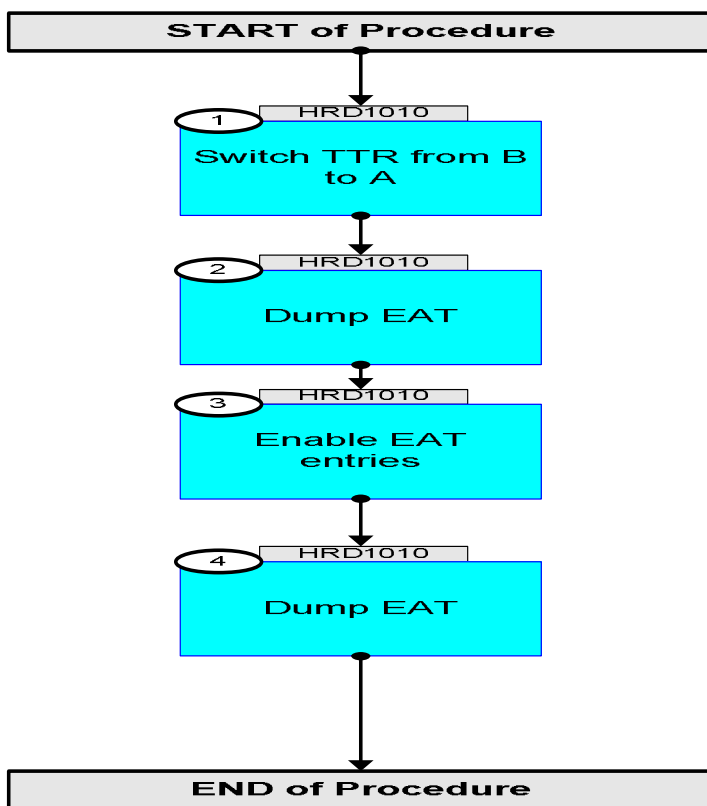
Configuration Control Information

DATE	FOP ISSUE	VERSION	MODIFICATION DESCRIPTION	AUTHOR	SPR REF
04/09/2011	3.1	1	Created	S. Manganelli	

Rollback from TTR sw/over as for CRP_DHS_1009
File: H_CRP_DHS_1010.xls
Author: S. Manganelli



Procedure Flowchart Overview



Rollback from TTR sw/over as for CRP_DHS_1009
 File: H_CRP_DHS_1010.xls
 Author: S. Manganelli



Step No.	Time	Activity/Remarks	TC/TLM	Display/ Branch	AIT Comment
Beginning of Procedure					
HRD1010 TC Seq. Name : HRD1010 (TTR_BtoA_switchover) TimeTag Type: N Sub Schedule ID: □					
1		Switch TTR from B to A		Next Step: 2	
		This TC shall bring back the TTR-Encoder-OBT chain from B in use to A in use. The procedure has to be run only to roll back the actions performed by CRP_DHS_1009 (called as part of the NOTM system procedure).			
		Execute Telecommand MarkOKUnitA_TtrTmEnObt TC Control Flags : GBM IL DSE --Y -- --- Subsch. ID : 10 Det. descr. : Fdir Mark OK Unit A TTR Tm Encoder Obt, TC(8,4,116,22)	DCB4H170	TC	
		Verify Telemetry TtrlFailSts DEL09170 = Not_Failed		AND=ZAZAN999	
		Verify Telemetry TtrlUse DEL12170 = In_Use		AND=ZAZAN999	
		Verify Telemetry Ttr2Use DEL16170 = Not_In_Use		AND=ZAZAN999	
		Execute Telecommand Use_TM_Encoder_A TC Control Flags : GBM IL DSE --Y -- --- Subsch. ID : 10 Det. descr. : Use TM Encoder A - High Priority Standard	DCA48170	TC	
		Verify Telemetry Active_TTRBoard DEDMG160 = A		AND=ZAZAA999	
		Verify Telemetry ACT_TM_OBT DEDMF160 = 0 <dec>		AND=ZAZAA999	
2		Dump EAT		Next Step: 3	
		Execute Telecommand ReptEvtActTable TC Control Flags : GBM IL DSE --Y -- --- Subsch. ID : 10 Det. descr. : TEMPLATE Report The contents of the event/action table TC(19,6)	DCT86170	TC	

Rollback from TTR sw/over as for CRP_DHS_1009
 File: H_CRP_DHS_1010.xls
 Author: S. Manganelli




Step No.	Time	Activity/Remarks	TC/TLM	Display/ Branch	AIT Comment																																							
		Verify reception of a number of packets: TM 19-7 Event-Action Table Content Report Packet Mnemonic : EvtActTblRpt APID : 16 Type : 19 Subtype : 7 PI1 : PI2 :																																										
		A dedicated event shall indicate the end of the EAT dump.																																										
		Verify Packet Reception CdmuAsw Event 5-1 TM 19-7 Dump Ended Packet Mnemonic : D_EvRp_168 APID : 16 Type : 5 Subtype : 1 PI1 : 27650 PI2 : 0																																										
		The EAT display shall now refresh and can be used to verify the status of the six entries that should have been disabled by the FDIR action triggered by CRP_DHS_1009: APID = 16 EVENT ID = 56 / 57 / 64 / 65 / 86 / 87																																										
		If the entries are NOT disabled, end the procedure here.																																										
3		Enable EAT entries		Next Step: 4																																								
		The TC should be uplinked only if the status of the TTR units A and B is nominal.																																										
		Execute Telecommand <div style="text-align: center;">EnableActions</div> <div style="text-align: center;">DCT84170</div> Command Parameter(s) : <table style="width: 100%; border-collapse: collapse;"> <tr> <td style="text-align: right;">N_Repetition</td> <td style="text-align: center;">DH041170</td> <td style="text-align: left;">6 <dec></td> </tr> <tr> <td style="text-align: right;">APID_for_EAT_TC</td> <td style="text-align: center;">DH236170</td> <td style="text-align: left;">CDMS (Def)</td> </tr> <tr> <td style="text-align: right;">EventId</td> <td style="text-align: center;">DH146170</td> <td style="text-align: left;">56 <dec></td> </tr> <tr> <td style="text-align: right;">APID_for_EAT_TC</td> <td style="text-align: center;">DH236170</td> <td style="text-align: left;">CDMS (Def)</td> </tr> <tr> <td style="text-align: right;">EventId</td> <td style="text-align: center;">DH146170</td> <td style="text-align: left;">57 <dec></td> </tr> <tr> <td style="text-align: right;">APID_for_EAT_TC</td> <td style="text-align: center;">DH236170</td> <td style="text-align: left;">CDMS (Def)</td> </tr> <tr> <td style="text-align: right;">EventId</td> <td style="text-align: center;">DH146170</td> <td style="text-align: left;">64 <dec></td> </tr> <tr> <td style="text-align: right;">APID_for_EAT_TC</td> <td style="text-align: center;">DH236170</td> <td style="text-align: left;">CDMS (Def)</td> </tr> <tr> <td style="text-align: right;">EventId</td> <td style="text-align: center;">DH146170</td> <td style="text-align: left;">65 <dec></td> </tr> <tr> <td style="text-align: right;">APID_for_EAT_TC</td> <td style="text-align: center;">DH236170</td> <td style="text-align: left;">CDMS (Def)</td> </tr> <tr> <td style="text-align: right;">EventId</td> <td style="text-align: center;">DH146170</td> <td style="text-align: left;">86 <dec></td> </tr> <tr> <td style="text-align: right;">APID_for_EAT_TC</td> <td style="text-align: center;">DH236170</td> <td style="text-align: left;">CDMS (Def)</td> </tr> <tr> <td style="text-align: right;">EventId</td> <td style="text-align: center;">DH146170</td> <td style="text-align: left;">87 <dec></td> </tr> </table> TC Control Flags : <div style="text-align: center;">GBM IL DSE --Y -- ---</div> Subsch. ID : 10 Det. descr. : TEMPLATE Enable Actions TC(19,4)	N_Repetition	DH041170	6 <dec>	APID_for_EAT_TC	DH236170	CDMS (Def)	EventId	DH146170	56 <dec>	APID_for_EAT_TC	DH236170	CDMS (Def)	EventId	DH146170	57 <dec>	APID_for_EAT_TC	DH236170	CDMS (Def)	EventId	DH146170	64 <dec>	APID_for_EAT_TC	DH236170	CDMS (Def)	EventId	DH146170	65 <dec>	APID_for_EAT_TC	DH236170	CDMS (Def)	EventId	DH146170	86 <dec>	APID_for_EAT_TC	DH236170	CDMS (Def)	EventId	DH146170	87 <dec>		TC	
N_Repetition	DH041170	6 <dec>																																										
APID_for_EAT_TC	DH236170	CDMS (Def)																																										
EventId	DH146170	56 <dec>																																										
APID_for_EAT_TC	DH236170	CDMS (Def)																																										
EventId	DH146170	57 <dec>																																										
APID_for_EAT_TC	DH236170	CDMS (Def)																																										
EventId	DH146170	64 <dec>																																										
APID_for_EAT_TC	DH236170	CDMS (Def)																																										
EventId	DH146170	65 <dec>																																										
APID_for_EAT_TC	DH236170	CDMS (Def)																																										
EventId	DH146170	86 <dec>																																										
APID_for_EAT_TC	DH236170	CDMS (Def)																																										
EventId	DH146170	87 <dec>																																										

Rollback from TTR sw/over as for CRP_DHS_1009
 File: H_CRP_DHS_1010.xls
 Author: S. Manganelli




Step No.	Time	Activity/Remarks	TC/TLM	Display/ Branch	AIT Comment
4		Dump EAT		Next Step: END	
		Execute Telecommand ReptEvtActTable TC Control Flags : GEM IL DSE --Y -- --- Subsch. ID : 10 Det. descr. : TEMPLATE Report The contents of the event/action table TC(19,6)	DCT86170	TC	
		Verify reception of a number of packets: TM 19-7 Event-Action Table Content Report Packet Mnemonic : EvtActTblRpt APID : 16 Type : 19 Subtype : 7 PI1 : PI2 :			
		A dedicated event shall indicate the end of the EAT dump.			
		Verify Packet Reception CdmuAsw Event 5-1 TM 19-7 Dump Ended Packet Mnemonic : D_EvRp_168 APID : 16 Type : 5 Subtype : 1 PI1 : 27650 PI2 : 0			
		The EAT display shall now refresh and can be used to verify the status of the six entries that should now be enabled: APID = 16 EVENT ID = 56 / 57 / 64 / 65 / 86 / 87			
End of Sequence					
End of Procedure					