

Mode_SMECFunc03 (RED) SMEC Encoder Levels Check
 File: H_COP_SPI_SMER.xls
 Author: L.Lucas-hp



Procedure Summary

Objectives

This procedure is a SMEC Encoder Integrity Check on RED.
 Based on Procedure:
 Mode_SMECFunc03 (v7)

Summary of Constraints

Ensure MCU-01 has been successfully performed.

Spacecraft Configuration

Start of Procedure

Mode: REDY

End of Procedure

Mode: REDY

Reference File(s)

Input Command Sequences

Output Command Sequences

HCSSMER

Referenced Displays

ANDs	GRDs	SLDs
SA_6_559		
ZAZ90999		
SA_1_559		

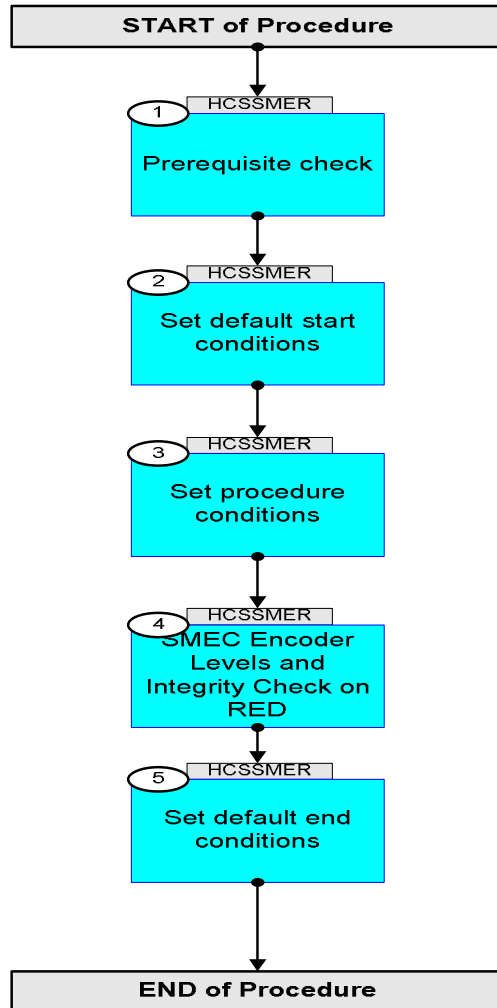
Configuration Control Information

DATE	FOP ISSUE	VERSION	MODIFICATION DESCRIPTION	AUTHOR	SPR REF
08/12/08		1	Created	L.Lucas-hp	
28/01/09	2	2	Removed ETs for ease of loading onto Manual Stack	L.Lucas-hp	
24/03/09	2.2	2.01	Validation : Title Update	L.Lucas-hp	

Mode_SMECFunc03 (RED) SMEC Encoder Levels Check
File: H_COP_SPI_SMER.xls
Author: L.Lucas-hp



Procedure Flowchart Overview



Mode_SMECFunc03 (RED) SMEC Encoder Levels Check
 File: H_COP_SPI_SMER.xls
 Author: L.Lucas-hp



Step No.	Time	Activity/Remarks	TC/TLM	Display/ Branch
Beginning of Procedure				
<i>TC Seq. Name : HCSSMER (SM EncIntegChk)</i> <i>TimeTag Type: Y</i> <i>Sub Schedule ID:</i> <input type="checkbox"/>				
1		<i>Prerequisite check</i>		Next Step: 2
1.1		<i>HSC/ICC input</i>		<input type="checkbox"/>
		Verify that the HSC has supplied a valid OBSID value: OBS_ID = 0xnnnn nnnn		
1.2		<i>Verify TM</i>		<input type="checkbox"/>
		Note current value. Value will be incremented during procedure. SMECENCPCR SMS0W515		AND=SA_6_559
		At the end of the test the power level will be reset to the value for Prime or Redundant side, as appropriate		
2		<i>Set default start conditions</i>		Next Step: 3
		Note that a TM(5,1) packet [New_Step_Report] is generated after each of the following SET_OBS_STEP telecommands		
	ET=+ UT=+00.00.00	SET_OBS_STEP SET_OBS_STEP <i>Command Parameter(s) :</i> OBSERVATION_STEP SP03N500 <i>Subsch. ID : 370</i> <i>Det. descr. : SET OBSERVATION STEP</i>	SC003500 0 <hex>	
	ET=+ UT=+00.00.01	SET_BBID SET_BBID <i>Command Parameter(s) :</i> BUILDING_BLOCK_ID SP01N500 <i>Subsch. ID : 370</i> <i>Det. descr. : SET BUILDING BLOCK IDENTIFIER</i>	SC001500 80010001 <hex>	
		Verify Telemetry BBFULLTYPE SM2LN500	= ClearObs	AND=ZAZ90999

Mode_SMECFunc03 (RED) SMEC Encoder Levels Check
 File: H_COP_SPI_SMER.xls
 Author: L.Lucas-hp



Step No.	Time	Activity/Remarks	TC/TLM	Display/ Branch
	ET=+ UT=+00.00.00	SET_OBS_STEP SET_OBS_STEP Command Parameter(s) : OBSERVATION_STEP SP03N500 Subsch. ID : 370 Det. descr. : SET OBSERVATION STEP	SC003500 1 <hex>	
	ET=+ UT=+00.00.01	SET_OBSID SET_OBSID Command Parameter(s) : OBSERVATION_ID SP00N500 Subsch. ID : 370 Det. descr. : SET OBSERVATION IDENTIFIER	SC000500 00000000 <hex>	
		Verify Telemetry OBSID SM10N500	= 00000000 <hex>	AND=ZAZ90999
	ET=+ UT=+00.00.00	SET_OBS_STEP SET_OBS_STEP Command Parameter(s) : OBSERVATION_STEP SP03N500 Subsch. ID : 370 Det. descr. : SET OBSERVATION STEP	SC003500 0 <hex>	
	ET=+ UT=+00.00.01	SET_BBID SET_BBID Command Parameter(s) : BUILDING_BLOCK_ID SP01N500 Subsch. ID : 370 Det. descr. : SET BUILDING BLOCK IDENTIFIER	SC001500 80000000 <hex>	
		Verify Telemetry BBFULLTYPE SM2LN500	= Null	AND=ZAZ90999
	ET=+ UT=+00.00.00	SET_OBS_STEP SET_OBS_STEP Command Parameter(s) : OBSERVATION_STEP SP03N500 Subsch. ID : 370 Det. descr. : SET OBSERVATION STEP	SC003500 0 <hex>	
	ET=+ UT=+00.00.01	SET_BBID SET_BBID Command Parameter(s) : BUILDING_BLOCK_ID SP01N500 Subsch. ID : 370 Det. descr. : SET BUILDING BLOCK IDENTIFIER	SC001500 80020001 <hex>	

Mode_SMECFunc03 (RED) SMEC Encoder Levels Check
 File: H_COP_SPI_SMER.xls
 Author: L.Lucas-hp



Step No.	Time	Activity/Remarks	TC/TLM	Display/ Branch
		Verify Telemetry BBFULLTYPE SM2LN500	= StartObs	AND=ZAZ90999
3		<i>Set procedure conditions</i>		Next Step: 4
	ET=+ UT=+00.00.00	RESET_DRCU_COUNTERS RESET_DRCU_COUNTERS Subsch. ID : 370 Det. descr. : RESET DRCU COUNTERS	SCD00505	
		Verify that the TRESET parameter has the same value as the THSK parameter TRESET SM01T500	same as THSK	AND=SA_1_559
		THSK SM00T500	any	AND=SA_1_559
		Note that a TM(5,1) packet [New_Step_Report] is generated after each of the following SET_OBS_STEP telecommands		
	ET=+ UT=+00.00.00	SET_OBS_STEP SET_OBS_STEP Command Parameter(s) : OBSERVATION_STEP SP03N500 Subsch. ID : 370 Det. descr. : SET OBSERVATION STEP	SC003500 1 <hex>	
	ET=+ UT=+00.00.01	SET_OBSID SET_OBSID Command Parameter(s) : OBSERVATION_ID SP00N500 Subsch. ID : 370 Det. descr. : SET OBSERVATION IDENTIFIER	SC000500 OBS_ID	
		Verify Telemetry OBSID SM10N500	OBS_ID	AND=ZAZ90999
	ET=+ UT=+00.00.00	SET_OBS_STEP SET_OBS_STEP Command Parameter(s) : OBSERVATION_STEP SP03N500 Subsch. ID : 370 Det. descr. : SET OBSERVATION STEP	SC003500 0 <hex>	
	ET=+ UT=+00.00.01	SET_BBID SET_BBID Command Parameter(s) : BUILDING_BLOCK_ID SP01N500 Subsch. ID : 370 Det. descr. : SET BUILDING BLOCK IDENTIFIER	SC001500 80000000 <hex>	

Mode_SMECFunc03 (RED) SMEC Encoder Levels Check
 File: H_COP_SPI_SMER.xls
 Author: L.Lucas-hp



Step No.	Time	Activity/Remarks	TC/TLM	Display/ Branch
		Verify Telemetry BBFULLTYPE SM2LN500	= Null	AND=ZAZ90999
	ET=+ UT=+00.00.00	SET_OBS_STEP SET_OBS_STEP Command Parameter(s) : OBSERVATION_STEP SP03N500 Subsch. ID : 370 Det. descr. : SET OBSERVATION STEP	SC003500 0 <hex>	
	ET=+ UT=+00.00.01	SET_BBID SET_BBID Command Parameter(s) : BUILDING_BLOCK_ID SP01N500 Subsch. ID : 370 Det. descr. : SET BUILDING BLOCK IDENTIFIER	SC001500 89060001 <hex>	
		Verify Telemetry BBFULLTYPE SM2LN500	= StartMCUdata	AND=SA_6_559
4		SMEC Encoder Levels and Integrity Check on RED		Next Step: 5
	ET=+ UT=+00.00.01	SEND_DRCU_COMMAND SEND_DRCU_COMMAND Command Parameter(s) : DRCUCOMMAND SPD4N505 OVERRIDE SPD9N505 TC Control Flags : GBM IL DSE --Y -- Subsch. ID : 370 Det. descr. : SEND A SINGLE COMMAND TO THE DRCU	SCD06505 91C20000 <hex> 0 <hex> (Def)	
	ET=+ UT=+00.00.00	SEND_DRCU_COMMAND SEND_DRCU_COMMAND Command Parameter(s) : DRCUCOMMAND SPD4N505 OVERRIDE SPD9N505 TC Control Flags : GBM IL DSE --- -- Subsch. ID : 370 Det. descr. : SEND A SINGLE COMMAND TO THE DRCU	SCD06505 91c00000 <hex> 0 <hex> (Def)	

Mode_SMECFunc03 (RED) SMEC Encoder Levels Check
 File: H_COP_SPI_SMER.xls
 Author: L.Lucas-hp



Step No.	Time	Activity/Remarks	TC/TLM	Display/ Branch
	ET=+ UT=+00.00.01	SEND_DRCU_COMMAND SEND_DRCU_COMMAND Command Parameter(s) : DRCUCOMMAND SPD4N505 OVERRIDE SPD9N505 TC Control Flags : GBM IL DSE --- -- --- Subsch. ID : 370 Det. descr. : SEND A SINGLE COMMAND TO THE DRCU	SCD06505 91c40000 <hex> 0 <hex> (Def)	
	ET=+ UT=+00.00.00	SEND_DRCU_COMMAND SEND_DRCU_COMMAND Command Parameter(s) : DRCUCOMMAND SPD4N505 OVERRIDE SPD9N505 TC Control Flags : GBM IL DSE --- -- --- Subsch. ID : 370 Det. descr. : SEND A SINGLE COMMAND TO THE DRCU	SCD06505 91c50000 <hex> 0 <hex> (Def)	
	ET=+ UT=+00.00.01	SEND_DRCU_COMMAND SEND_DRCU_COMMAND Command Parameter(s) : DRCUCOMMAND SPD4N505 OVERRIDE SPD9N505 TC Control Flags : GBM IL DSE --- -- --- Subsch. ID : 370 Det. descr. : SEND A SINGLE COMMAND TO THE DRCU	SCD06505 91c40025 <hex> 0 <hex> (Def)	
	ET=+ UT=+00.00.00	SEND_DRCU_COMMAND SEND_DRCU_COMMAND Command Parameter(s) : DRCUCOMMAND SPD4N505 OVERRIDE SPD9N505 TC Control Flags : GBM IL DSE --- -- --- Subsch. ID : 370 Det. descr. : SEND A SINGLE COMMAND TO THE DRCU	SCD06505 91c3ffff <hex> 0 <hex> (Def)	

Mode_SMECFunc03 (RED) SMEC Encoder Levels Check
 File: H_COP_SPI_SMER.xls
 Author: L.Lucas-hp



Step No.	Time	Activity/Remarks	TC/TLM	Display/ Branch
	ET=+ UT=+00.00.01	SEND_DRCU_COMMAND SEND_DRCU_COMMAND Command Parameter(s) : DRCUCOMMAND SPD4N505 OVERRIDE SPD9N505 TC Control Flags : GBM IL DSE --- -- --- Subsch. ID : 370 Det. descr. : SEND A SINGLE COMMAND TO THE DRCU	SCD06505 91c10001 <hex> 0 <hex> (Def)	
	ET=+ UT=+00.00.01	SET_OBS_STEP SET_OBS_STEP Command Parameter(s) : OBSERVATION_STEP SP03N500 TC Control Flags : GBM IL DSE --- -- --- Subsch. ID : 370 Det. descr. : SET OBSERVATION STEP	SC003500 0 <hex>	
	ET=+ UT=+00.00.00	SET_BBID SET_BBID Command Parameter(s) : BUILDING_BLOCK_ID SP01N500 TC Control Flags : GBM IL DSE --- -- --- Subsch. ID : 370 Det. descr. : SET BUILDING BLOCK IDENTIFIER	SC001500 80000000 <hex>	
	ET=+ UT=+00.00.01	SET_OBS_STEP SET_OBS_STEP Command Parameter(s) : OBSERVATION_STEP SP03N500 TC Control Flags : GBM IL DSE --- -- --- Subsch. ID : 370 Det. descr. : SET OBSERVATION STEP	SC003500 0 <hex>	
	ET=+ UT=+00.00.00	SET_BBID SET_BBID Command Parameter(s) : BUILDING_BLOCK_ID SP01N500 TC Control Flags : GBM IL DSE --- -- --- Subsch. ID : 370 Det. descr. : SET BUILDING BLOCK IDENTIFIER	SC001500 82050001 <hex>	

Mode_SMECFunc03 (RED) SMEC Encoder Levels Check
 File: H_COP_SPI_SMER.xls
 Author: L.Lucas-hp



Step No.	Time	Activity/Remarks	TC/TLM	Display/ Branch
	ET=+ UT=+00.00.02	SET_OBS_STEP SET_OBS_STEP Command Parameter(s) : OBSERVATION_STEP SP03N500 TC Control Flags : GBM IL DSE --- -- --- Subsch. ID : 370 Det. descr. : SET OBSERVATION STEP	SC003500 0 <hex>	
	ET=+ UT=+00.00.00	SEND_DRCU_COMMAND SEND_DRCU_COMMAND Command Parameter(s) : DRCUCOMMAND SPD4N505 OVERRIDE SPD9N505 TC Control Flags : GBM IL DSE --- -- --- Subsch. ID : 370 Det. descr. : SEND A SINGLE COMMAND TO THE DRCU	SCD06505 90400001 <hex> 0 <hex> (Def)	
	ET=+ UT=+00.00.05	SET_OBS_STEP SET_OBS_STEP Command Parameter(s) : OBSERVATION_STEP SP03N500 TC Control Flags : GBM IL DSE --- -- --- Subsch. ID : 370 Det. descr. : SET OBSERVATION STEP	SC003500 ffff <hex>	
	ET=+ UT=+00.00.01	SET_OBS_STEP SET_OBS_STEP Command Parameter(s) : OBSERVATION_STEP SP03N500 TC Control Flags : GBM IL DSE --- -- --- Subsch. ID : 370 Det. descr. : SET OBSERVATION STEP	SC003500 1 <hex>	
	ET=+ UT=+00.00.00	SEND_DRCU_COMMAND SEND_DRCU_COMMAND Command Parameter(s) : DRCUCOMMAND SPD4N505 OVERRIDE SPD9N505 TC Control Flags : GBM IL DSE --- -- --- Subsch. ID : 370 Det. descr. : SEND A SINGLE COMMAND TO THE DRCU	SCD06505 90400002 <hex> 0 <hex> (Def)	

Mode_SMECFunc03 (RED) SMEC Encoder Levels Check
 File: H_COP_SPI_SMER.xls
 Author: L.Lucas-hp



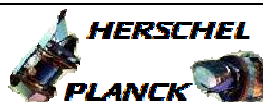
Step No.	Time	Activity/Remarks	TC/TLM	Display/ Branch
	ET=+ UT=+00.00.05	SET_OBS_STEP SET_OBS_STEP Command Parameter(s) : OBSERVATION_STEP SP03N500 TC Control Flags : GBM IL DSE --- -- --- Subsch. ID : 370 Det. descr. : SET OBSERVATION STEP	SC003500 ffff <hex>	
	ET=+ UT=+00.00.01	SET_OBS_STEP SET_OBS_STEP Command Parameter(s) : OBSERVATION_STEP SP03N500 TC Control Flags : GBM IL DSE --- -- --- Subsch. ID : 370 Det. descr. : SET OBSERVATION STEP	SC003500 2 <hex>	
	ET=+ UT=+00.00.00	SEND_DRCU_COMMAND SEND_DRCU_COMMAND Command Parameter(s) : DRCUCOMMAND SPD4N505 OVERRIDE SPD9N505 TC Control Flags : GBM IL DSE --- -- --- Subsch. ID : 370 Det. descr. : SEND A SINGLE COMMAND TO THE DRCU	SCD06505 90400003 <hex> 0 <hex> (Def)	
	ET=+ UT=+00.00.05	SET_OBS_STEP SET_OBS_STEP Command Parameter(s) : OBSERVATION_STEP SP03N500 TC Control Flags : GBM IL DSE --- -- --- Subsch. ID : 370 Det. descr. : SET OBSERVATION STEP	SC003500 ffff <hex>	
	ET=+ UT=+00.00.02	SEND_DRCU_COMMAND SEND_DRCU_COMMAND Command Parameter(s) : DRCUCOMMAND SPD4N505 OVERRIDE SPD9N505 TC Control Flags : GBM IL DSE --- -- --- Subsch. ID : 370 Det. descr. : SEND A SINGLE COMMAND TO THE DRCU	SCD06505 90400003 <hex> 0 <hex> (Def)	

Mode_SMECFunc03 (RED) SMEC Encoder Levels Check
 File: H_COP_SPI_SMER.xls
 Author: L.Lucas-hp



Step No.	Time	Activity/Remarks	TC/TLM	Display/ Branch
	ET=+ UT=+00.00.01	SET_OBS_STEP SET_OBS_STEP Command Parameter(s) : OBSERVATION_STEP SP03N500 TC Control Flags : GBM IL DSE --- -- --- Subsch. ID : 370 Det. descr. : SET OBSERVATION STEP	SC003500 0 <hex>	
	ET=+ UT=+00.00.00	SET_BBID SET_BBID Command Parameter(s) : BUILDING_BLOCK_ID SP01N500 TC Control Flags : GBM IL DSE --- -- --- Subsch. ID : 370 Det. descr. : SET BUILDING BLOCK IDENTIFIER	SC001500 80000000 <hex>	
	ET=+ UT=+00.00.01	SET_OBS_STEP SET_OBS_STEP Command Parameter(s) : OBSERVATION_STEP SP03N500 TC Control Flags : GBM IL DSE --- -- --- Subsch. ID : 370 Det. descr. : SET OBSERVATION STEP	SC003500 0 <hex>	
	ET=+ UT=+00.00.00	SET_BBID SET_BBID Command Parameter(s) : BUILDING_BLOCK_ID SP01N500 TC Control Flags : GBM IL DSE --- -- --- Subsch. ID : 370 Det. descr. : SET BUILDING BLOCK IDENTIFIER	SC001500 80000000 <hex>	
	ET=+ UT=+00.00.02	SEND_DRCU_COMMAND SEND_DRCU_COMMAND Command Parameter(s) : DRCUCOMMAND SPD4N505 OVERRIDE SPD9N505 TC Control Flags : GBM IL DSE --- -- --- Subsch. ID : 370 Det. descr. : SEND A SINGLE COMMAND TO THE DRCU	SCD06505 91c10000 <hex> 0 <hex> (Def)	

Mode_SMECFunc03 (RED) SMEC Encoder Levels Check
 File: H_COP_SPI_SMER.xls
 Author: L.Lucas-hp



Step No.	Time	Activity/Remarks	TC/TLM	Display/ Branch
	ET=+ UT=+00.00.01	<p>FLUSH_FIFO</p> <p style="text-align: right;">FLUSH_FIFO</p> <p>Command Parameter(s) :</p> <p style="text-align: right;">FIFOFLAGS SPD0N505</p> <p>TC Control Flags :</p> <p style="text-align: right;">GBM IL DSE --- -- ---</p> <p>Subsch. ID : 370 Det. descr. : FORCE DPU TO READ SCIENCE DATA FROM FIFOS AND FLUSH CONTENTS</p>	<p>SCD01505</p> <p>2000 <hex></p>	
5		Set default end conditions		Next Step: END
		Note that a TM(5,1) packet [New_Step_Report] is generated after each of the following SET_OBS_STEP telecommands		
	ET=+ UT=+00.00.00	<p>SET_OBS_STEP</p> <p style="text-align: right;">SET_OBS_STEP</p> <p>Command Parameter(s) :</p> <p style="text-align: right;">OBSERVATION_STEP SP03N500</p> <p>Subsch. ID : 370 Det. descr. : SET OBSERVATION STEP</p>	<p>SC003500</p> <p>0 <hex></p>	
	ET=+ UT=+00.00.01	<p>SET_BBID</p> <p style="text-align: right;">SET_BBID</p> <p>Command Parameter(s) :</p> <p style="text-align: right;">BUILDING_BLOCK_ID SP01N500</p> <p>Subsch. ID : 370 Det. descr. : SET BUILDING BLOCK IDENTIFIER</p>	<p>SC001500</p> <p>80000000 <hex></p>	
		Verify Telemetry	<p style="text-align: right;">BBFULLTYPE SM2LN500</p> <p>= Null</p>	AND=ZAZ90999
	ET=+ UT=+00.00.00	<p>SET_OBS_STEP</p> <p style="text-align: right;">SET_OBS_STEP</p> <p>Command Parameter(s) :</p> <p style="text-align: right;">OBSERVATION_STEP SP03N500</p> <p>Subsch. ID : 370 Det. descr. : SET OBSERVATION STEP</p>	<p>SC003500</p> <p>0 <hex></p>	
	ET=+ UT=+00.00.01	<p>SET_BBID</p> <p style="text-align: right;">SET_BBID</p> <p>Command Parameter(s) :</p> <p style="text-align: right;">BUILDING_BLOCK_ID SP01N500</p> <p>Subsch. ID : 370 Det. descr. : SET BUILDING BLOCK IDENTIFIER</p>	<p>SC001500</p> <p>80030001 <hex></p>	

Mode_SMECFunc03 (RED) SMEC Encoder Levels Check
 File: H_COP_SPI_SMER.xls
 Author: L.Lucas-hp



Step No.	Time	Activity/Remarks	TC/TLM	Display/ Branch
		Verify Telemetry BBFULLTYPE SM2LN500	= EndObs	AND=ZAZ90999
	ET=+ UT=+00.00.00	SET_OBS_STEP SET_OBS_STEP Command Parameter(s) : OBSERVATION_STEP SP03N500 Subsch. ID : 370 Det. descr. : SET OBSERVATION STEP	SC003500 1 <hex>	
	ET=+ UT=+00.00.01	SET_OBSID SET_OBSID Command Parameter(s) : OBSERVATION_ID SP00N500 Subsch. ID : 370 Det. descr. : SET OBSERVATION IDENTIFIER	SC000500 00000000 <hex>	
		Verify Telemetry OBSID SM10N500	= 00000000 <hex>	AND=ZAZ90999
	ET=+ UT=+00.00.00	SET_OBS_STEP SET_OBS_STEP Command Parameter(s) : OBSERVATION_STEP SP03N500 Subsch. ID : 370 Det. descr. : SET OBSERVATION STEP	SC003500 0 <hex>	
	ET=+ UT=+00.00.01	SET_BBID SET_BBID Command Parameter(s) : BUILDING_BLOCK_ID SP01N500 Subsch. ID : 370 Det. descr. : SET BUILDING BLOCK IDENTIFIER	SC001500 80000000 <hex>	
		Verify Telemetry BBFULLTYPE SM2LN500	= Null	AND=ZAZ90999
		Note current value. Value will have been incremented during procedure. SMECENCPWR SMS0W515		AND=SA_6_559
		At the end of the test the power level will be reset to the value for Redundant side.		
End of Procedure				