

SPIRE ON, DPU_START - Switch ON the redundant SPIRE units
 File: H_COP_SPI_RSON.xls
 Author: L.Lucas-hp



Procedure Summary

Objectives

The objective of this procedure is to switch on SPIRE REDUNDANT
 This involves CDMU commanding for the LCLs and SPIRE commanding.
 (LCLs are switched on, the SPIRE DPU is booted from either EEPROM
 and started.)

NOTE: This involves MANUALLY adding the BOOT command.

This procedure is based upon:
 Name:DPU_START_SP/PP
 Version number:1
 Generated:11/05/2009
 Desc:\$Id\$ Boot the DPU from secondary partition

Summary of Constraints

INPUT:
 - The PRIMARY or SECONDARY partition should be copied to the
 EEPROM upon DPU switch on?
 - Expected ASW version?

Spacecraft Configuration

Start of Procedure

SPIRE is OFF

End of Procedure

SPIRE is in sub-mode DPU_ON

Reference File(s)

Input Command Sequences

Output Command Sequences

HCSRSON
 HCSRSONP
 HCSRSONS
 HCSRSONQ

Referenced Displays

ANDs GRDs SLDs
 ZAZ96999
 SA_7_559
 SA_6_559

Configuration Control Information

DATE	FOP ISSUE	VERSION	MODIFICATION DESCRIPTION	AUTHOR	SPR REF
------	-----------	---------	--------------------------	--------	---------

Status : Version 5 - Unchanged
 Last Checkin: 18/05/09

SPIRE ON, DPU_START - Switch ON the redundant SPIRE units
 File: H_COP_SPI_RSON.xls
 Author: L.Lucas-hp

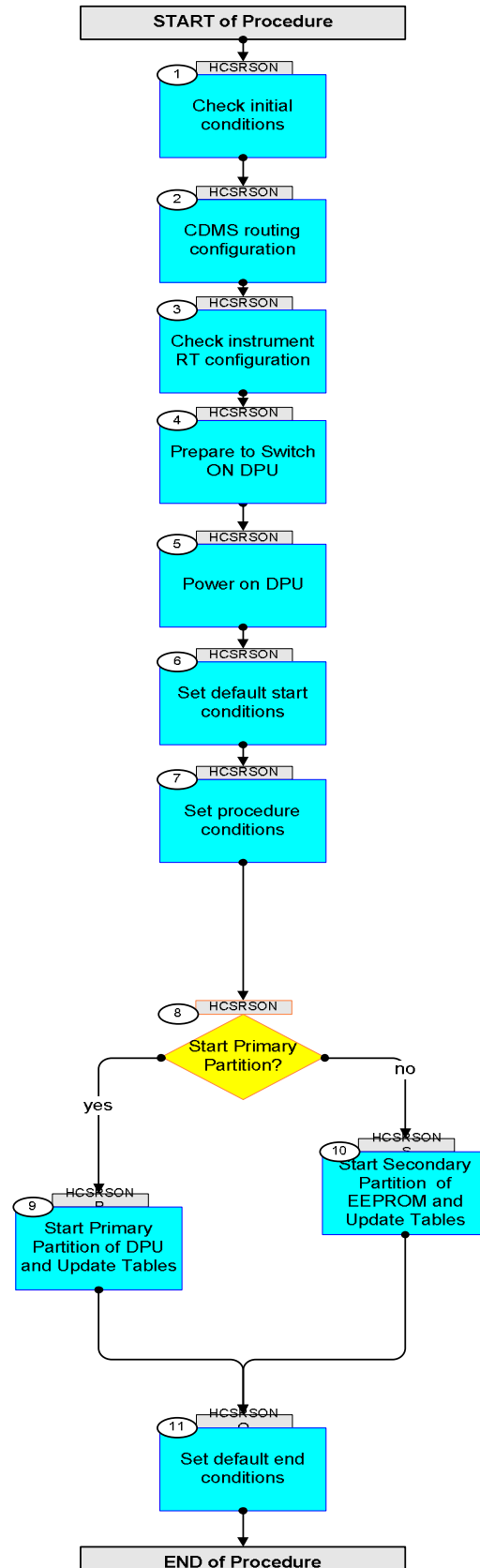


26/02/09	2.1	1	Created	L.Lucas-hp	
20/04/09		2	Updated to incorporate table updates etc, received from SPIRE	L.Lucas-hp	
21/04/09	2.3	3	text update	L.Lucas-hp	
05/05/09	2.4	4	Removed ET	L.Lucas-hp	
18/05/09	2.5	5	JIT Updates received from SPIRE	L.Lucas-hp	

SPIRE ON, DPU_START - Switch ON the redundant SPIRE units
 File: H_COP_SPI_RSON.xls
 Author: L.Lucas-hp



Procedure Flowchart Overview



SPIRE ON, DPU_START - Switch ON the redundant SPIRE units
File: H_COP_SPI_RSON.xls
Author: L.Lucas-hp



Procedure Flowchart Overview

END of Procedure

SPIRE ON, DPU_START - Switch ON the redundant SPIRE units
 File: H_COP_SPI_RSON.xls
 Author: L.Lucas-hp



Step No.	Time	Activity/Remarks	TC/TLM	Display/ Branch
Beginning of Procedure				
TC Seq. Name :HCSRSON (Switch ON (Red))				
TimeTag Type: B				
Sub Schedule ID:				
□				
1		Check initial conditions		Next Step: 2
		Verify: SPIRE has been switched off for at least 4 minutes		
1.1		SPIRE input		□
		Verify that the SPIRE ICC has indicated whether the DPU is to be booted from the primary or secondary partition (step 4.4)		
		Verify that the expected DPU software version number has been supplied by the SPIRE ICC (Step 4.6)		
1.2		Bus status		□
		Verify Bus configuration		
		Verify: Active 1553 bus Active_Bus_A_B DEFJ1160 = BUS_A		AND=ZAZ96999
		Verify: 1553 bus FDIR status SDB_FDIR DEFJ4160 = ENABLED		AND=ZAZ96999
		Verify: SDB handling status BSW_SDB_ENAB DEF60160 = ENABLED		AND=ZAZ96999
		Verify bus health status		
		Verify: Bus (side A) health status BusA_HealthySts DEFJ2160 = Healthy		AND=ZAZ96999
		Verify: Bus (side B) health status BusB_HealthySts DEFJ3160 = Healthy		AND=ZAZ96999
1.3		Redundant instrument LCLs		□
		Verify: DPU LCL status SpirHsdR_L12_1S WM82C565 = OFF		AND=ZAZ96999
		Verify: FCU LCL status SpirHsfr_L52_1S WM72C565 = OFF		AND=ZAZ96999

SPIRE ON, DPU_START - Switch ON the redundant SPIRE units
 File: H_COP_SPI_RSON.xls
 Author: L.Lucas-hp



Step No.	Time	Activity/Remarks	TC/TLM	Display/ Branch
3.2		Remote Terminal Status		<input type="checkbox"/>
		Redundant units		
		Verify Telemetry SPIREB_OnOff DED21161	= OFF	AND=ZAZ96999
		Verify Telemetry SPIREB_DeadAliv DED22161	= Alive	AND=ZAZ96999
		Verify Telemetry SPIREB_WellsiTC DED23161	= Well	AND=ZAZ96999
		Verify Telemetry SPIREB_WellsiTM DED24161	= Well	AND=ZAZ96999
		Verify Telemetry SPIREB_ValidInv DED25161	= Invalid	AND=ZAZ96999
		Nominal units		
		Verify Telemetry SPIREA_OnOff DED1G161	= OFF	AND=ZAZ96999
		Verify Telemetry SPIREA_DeadAliv DED1H161	= Alive	AND=ZAZ96999
		Verify Telemetry SPIREA_WellsiTC DED1Z161	= Well	AND=ZAZ96999
		Verify Telemetry SPIREA_WellsiTM DED1J161	= Well	AND=ZAZ96999
		Verify Telemetry SPIREA_ValidInv DED1K161	= Invalid	AND=ZAZ96999
4		Prepare to Switch ON DPU		Next Step: 5
4.1		Set Bus Profile		<input type="checkbox"/>
	ET=+ UT=+00.00.00	Execute Telecommand SelectActiveSCBP Command Parameter(s) : SCBP DH049160 Subsch. ID : 10 Det. descr. : Select Active SCBP from SCBP Table	DC819160 SCBP_03	
		Verify Telemetry BSW_SDB_ActProf DEF5F160	= 3 <dec>	AND=ZAZ96999
4.2		Disable FDIR & Start Instrument RT interrogations		<input type="checkbox"/>

SPIRE ON, DPU_START - Switch ON the redundant SPIRE units
 File: H_COP_SPI_RSON.xls
 Author: L.Lucas-hp



Step No.	Time	Activity/Remarks	TC/TLM	Display/ Branch																																																																																																																				
		WARNING: The following TC disables the SDB FDIR for the WHOLE spacecraft . Since there is no other alternative to the switch on sequence, it is vital that the FDIR is disabled for as short a time as possible.																																																																																																																						
	ET=+ UT=+00.00.00	Execute Telecommand ConfiguresSDBFDIR Command Parameter(s) : <table style="width: 100%; border: none;"> <tr><td style="width: 15%;"></td><td style="width: 15%;">RTA</td><td style="width: 15%;">DH011161</td><td style="width: 15%;">SPIRE B</td></tr> <tr><td></td><td>M0</td><td>DH030161</td><td>Update status</td></tr> <tr><td></td><td>M1</td><td>DH031161</td><td>Ignore Flag</td></tr> <tr><td></td><td>M2</td><td>DH032161</td><td>Ignore Flag</td></tr> <tr><td></td><td>M3</td><td>DH033161</td><td>Ignore Flag</td></tr> <tr><td></td><td>M4</td><td>DH034161</td><td>Update status</td></tr> <tr><td></td><td>M5</td><td>DH035161</td><td>Ignore Flag</td></tr> <tr><td></td><td>M6</td><td>DH036161</td><td>Update status</td></tr> <tr><td></td><td>M7</td><td>DH037161</td><td>Ignore Flag</td></tr> <tr><td></td><td>F0</td><td>DH018161</td><td>ON</td></tr> <tr><td></td><td>F1</td><td>DH019161</td><td>Alive</td></tr> <tr><td></td><td>F2</td><td>DH020161</td><td>Well TC</td></tr> <tr><td></td><td>F3</td><td>DH021161</td><td>Well TM</td></tr> <tr><td></td><td>F4</td><td>DH022161</td><td>Valid</td></tr> <tr><td></td><td>F5</td><td>DH023161</td><td>Non-vital</td></tr> <tr><td></td><td>F6</td><td>DH024161</td><td>REDUNDANT</td></tr> <tr><td></td><td>F7</td><td>DH025161</td><td>ON</td></tr> <tr><td></td><td>M12</td><td>DH051161</td><td>Ignore Flag</td></tr> <tr><td></td><td>M_C</td><td>DH043161</td><td>Ignore CNT</td></tr> <tr><td></td><td>M8</td><td>DH038161</td><td>Ignore Flag</td></tr> <tr><td></td><td>M9</td><td>DH039161</td><td>Ignore Flag</td></tr> <tr><td></td><td>M10</td><td>DH040161</td><td>Ignore Flag</td></tr> <tr><td></td><td>M11</td><td>DH041161</td><td>Update status</td></tr> <tr><td></td><td>F12</td><td>DH050161</td><td>ENABLED</td></tr> <tr><td></td><td>CNT</td><td>DH042161</td><td>LoopCnt1</td></tr> <tr><td></td><td>F8</td><td>DH026161</td><td>Bus A</td></tr> <tr><td></td><td>F9</td><td>DH027161</td><td>Healthy</td></tr> <tr><td></td><td>F10</td><td>DH028161</td><td>Healthy</td></tr> <tr><td></td><td>F11</td><td>DH029161</td><td>DISABLED</td></tr> </table> Subsch. ID : 10 Det. descr. : Configure SDB FDIR		RTA	DH011161	SPIRE B		M0	DH030161	Update status		M1	DH031161	Ignore Flag		M2	DH032161	Ignore Flag		M3	DH033161	Ignore Flag		M4	DH034161	Update status		M5	DH035161	Ignore Flag		M6	DH036161	Update status		M7	DH037161	Ignore Flag		F0	DH018161	ON		F1	DH019161	Alive		F2	DH020161	Well TC		F3	DH021161	Well TM		F4	DH022161	Valid		F5	DH023161	Non-vital		F6	DH024161	REDUNDANT		F7	DH025161	ON		M12	DH051161	Ignore Flag		M_C	DH043161	Ignore CNT		M8	DH038161	Ignore Flag		M9	DH039161	Ignore Flag		M10	DH040161	Ignore Flag		M11	DH041161	Update status		F12	DH050161	ENABLED		CNT	DH042161	LoopCnt1		F8	DH026161	Bus A		F9	DH027161	Healthy		F10	DH028161	Healthy		F11	DH029161	DISABLED	DC005161	
	RTA	DH011161	SPIRE B																																																																																																																					
	M0	DH030161	Update status																																																																																																																					
	M1	DH031161	Ignore Flag																																																																																																																					
	M2	DH032161	Ignore Flag																																																																																																																					
	M3	DH033161	Ignore Flag																																																																																																																					
	M4	DH034161	Update status																																																																																																																					
	M5	DH035161	Ignore Flag																																																																																																																					
	M6	DH036161	Update status																																																																																																																					
	M7	DH037161	Ignore Flag																																																																																																																					
	F0	DH018161	ON																																																																																																																					
	F1	DH019161	Alive																																																																																																																					
	F2	DH020161	Well TC																																																																																																																					
	F3	DH021161	Well TM																																																																																																																					
	F4	DH022161	Valid																																																																																																																					
	F5	DH023161	Non-vital																																																																																																																					
	F6	DH024161	REDUNDANT																																																																																																																					
	F7	DH025161	ON																																																																																																																					
	M12	DH051161	Ignore Flag																																																																																																																					
	M_C	DH043161	Ignore CNT																																																																																																																					
	M8	DH038161	Ignore Flag																																																																																																																					
	M9	DH039161	Ignore Flag																																																																																																																					
	M10	DH040161	Ignore Flag																																																																																																																					
	M11	DH041161	Update status																																																																																																																					
	F12	DH050161	ENABLED																																																																																																																					
	CNT	DH042161	LoopCnt1																																																																																																																					
	F8	DH026161	Bus A																																																																																																																					
	F9	DH027161	Healthy																																																																																																																					
	F10	DH028161	Healthy																																																																																																																					
	F11	DH029161	DISABLED																																																																																																																					
		Wait up to 1 minute for the generation of the D_H_Hk_P64 packet from the CDMU (APID = 18)																																																																																																																						
		Verify: 1553 bus FDIR status SDB_FDIR	DEFJ4160	= DISABLED AND=ZAZ96999																																																																																																																				
		Verify Telemetry SPIRE_NomRed	DED53161	= REDUNDANT AND=ZAZ96999																																																																																																																				
5		Power on DPU		Next Step: 6																																																																																																																				
5.1		Switch ON DPU LCL		☐																																																																																																																				

SPIRE ON, DPU_START - Switch ON the redundant SPIRE units
 File: H_COP_SPI_RSON.xls
 Author: L.Lucas-hp



Step No.	Time	Activity/Remarks	TC/TLM	Display/ Branch
		Switching ON the DPU LCL will initialise BSW. This will initially execute memory checks (failures will generate TM(5,4) packets) and then generate TM(5,1) [R_Boot_ROM_Check] packets every 10 seconds. WARNING: It is vital to send the FORCE_BOOT TC within 210 seconds otherwise the DPU stops sending TM(5,1) packets (after 21 packets) and then the SVM will invalidate the RT		
	ET=+ UT=+00.00.00	Execute Telecommand SwOn_SpireHSPDU_R_L12 Subsch. ID : 10 Det. descr. : PCDU: TC(8,4,112,5) SPIRE HSDPU Red - switch LCL_12 on	DC12D170	
		Verify: DPU LCL status SpirHsdr_L12_1S WM82C565	= ON	AND=ZAZ96999
		Verify: DPU LCL current (+/- 0.5A) SpireHsn_L11_I WM308565	= 0.425 A	AND=ZAZ96999
5.2		Choose and Boot DPU MANUALLY		<input type="checkbox"/>
		Sending either of the FORCE_BOOT TCs will generate a TM(5,1) [R_TC_ACKNOWLEDGE] packet from the BSW. On ASW startup, three TM(5,1) [R_No_MCU_Response_Error, R_No_SCU_Response_Error, R_No_DCU_Response_Error] packets are expected as the units are not switched on.		
		To boot from PRIMARY partition, MANUALLY send the following command:		
		FORCE_BOOT_PRIMARY FORCE_BOOT_PRIMARY Subsch. ID : 370 Det. descr. : LOAD OBS FROM PRIMARY PARTITION OF EEPROM AND BOOT This Telecommand will not be included in the export	SCD09505	
		To boot from SECONDARY partition, MANUALLY send the following command:		
		Execute Telecommand FORCE_BOOT_SECONDARY Subsch. ID : 370 Det. descr. : LOAD OBS FROM SECONDARY PARTITION OF EEPROM AND BOOT This Telecommand will not be included in the export	SCD0A505	
5.3		Verify Housekeeping		<input type="checkbox"/>

SPIRE ON, DPU_START - Switch ON the redundant SPIRE units
 File: H_COP_SPI_RSON.xls
 Author: L.Lucas-hp



Step No.	Time	Activity/Remarks	TC/TLM	Display/ Branch																																																																																													
		Verify the TM is being generated. Check Packet History: Critical 3,25, 1281 (Critical_HK_Parameter_Report) Nominal HK 3,25, 1283 (Nominal_HK_Parameter_Report)																																																																																															
		The following version check should ensure that the expected software version is running.																																																																																															
		Verify Telemetry OBSVER1 SM0EN500	Version	AND=ZAZ96999																																																																																													
		Verify Telemetry OBSVER2 SM0FN500	Sub-version	AND=ZAZ96999																																																																																													
		Verify Telemetry OBSVER3 SM05F500	Revision	AND=ZAZ96999																																																																																													
5.4		<i>Re-enable SDB FDIR</i>		<input type="checkbox"/>																																																																																													
	ET=+ UT=+00.00.00	Execute Telecommand ConfigureSDBFDIR Command Parameter(s) : <table border="0" style="width: 100%;"> <tr><td style="width: 150px;">RTA</td><td>DH011161</td><td>SPIRE B</td></tr> <tr><td>M0</td><td>DH030161</td><td>Ignore Flag</td></tr> <tr><td>M1</td><td>DH031161</td><td>Ignore Flag</td></tr> <tr><td>M2</td><td>DH032161</td><td>Ignore Flag</td></tr> <tr><td>M3</td><td>DH033161</td><td>Ignore Flag</td></tr> <tr><td>M4</td><td>DH034161</td><td>Ignore Flag</td></tr> <tr><td>M5</td><td>DH035161</td><td>Ignore Flag</td></tr> <tr><td>M6</td><td>DH036161</td><td>Ignore Flag</td></tr> <tr><td>M7</td><td>DH037161</td><td>Ignore Flag</td></tr> <tr><td>F0</td><td>DH018161</td><td>ON</td></tr> <tr><td>F1</td><td>DH019161</td><td>Alive</td></tr> <tr><td colspan="3"> </td></tr> <tr><td>F2</td><td>DH020161</td><td>Well TC</td></tr> <tr><td>F3</td><td>DH021161</td><td>Well TM</td></tr> <tr><td>F4</td><td>DH022161</td><td>Valid</td></tr> <tr><td>F5</td><td>DH023161</td><td>Non-vital</td></tr> <tr><td>F6</td><td>DH024161</td><td>REDUNDANT</td></tr> <tr><td>F7</td><td>DH025161</td><td>ON</td></tr> <tr><td>M12</td><td>DH051161</td><td>Ignore Flag</td></tr> <tr><td>M_C</td><td>DH043161</td><td>Ignore CNT</td></tr> <tr><td>M8</td><td>DH038161</td><td>Ignore Flag</td></tr> <tr><td>M9</td><td>DH039161</td><td>Ignore Flag</td></tr> <tr><td>M10</td><td>DH040161</td><td>Ignore Flag</td></tr> <tr><td>M11</td><td>DH041161</td><td>Update status</td></tr> <tr><td>F12</td><td>DH050161</td><td>ENABLED</td></tr> <tr><td>CNT</td><td>DH042161</td><td>LoopCnt1</td></tr> <tr><td>F8</td><td>DH026161</td><td>Bus A</td></tr> <tr><td colspan="3"> </td></tr> <tr><td>F9</td><td>DH027161</td><td>Healthy</td></tr> <tr><td>F10</td><td>DH028161</td><td>Healthy</td></tr> <tr><td>F11</td><td>DH029161</td><td>ENABLED</td></tr> </table> Subsch. ID : 10 Det. descr. : Configure SDB FDIR	RTA	DH011161	SPIRE B	M0	DH030161	Ignore Flag	M1	DH031161	Ignore Flag	M2	DH032161	Ignore Flag	M3	DH033161	Ignore Flag	M4	DH034161	Ignore Flag	M5	DH035161	Ignore Flag	M6	DH036161	Ignore Flag	M7	DH037161	Ignore Flag	F0	DH018161	ON	F1	DH019161	Alive				F2	DH020161	Well TC	F3	DH021161	Well TM	F4	DH022161	Valid	F5	DH023161	Non-vital	F6	DH024161	REDUNDANT	F7	DH025161	ON	M12	DH051161	Ignore Flag	M_C	DH043161	Ignore CNT	M8	DH038161	Ignore Flag	M9	DH039161	Ignore Flag	M10	DH040161	Ignore Flag	M11	DH041161	Update status	F12	DH050161	ENABLED	CNT	DH042161	LoopCnt1	F8	DH026161	Bus A				F9	DH027161	Healthy	F10	DH028161	Healthy	F11	DH029161	ENABLED	DC005161	
RTA	DH011161	SPIRE B																																																																																															
M0	DH030161	Ignore Flag																																																																																															
M1	DH031161	Ignore Flag																																																																																															
M2	DH032161	Ignore Flag																																																																																															
M3	DH033161	Ignore Flag																																																																																															
M4	DH034161	Ignore Flag																																																																																															
M5	DH035161	Ignore Flag																																																																																															
M6	DH036161	Ignore Flag																																																																																															
M7	DH037161	Ignore Flag																																																																																															
F0	DH018161	ON																																																																																															
F1	DH019161	Alive																																																																																															
F2	DH020161	Well TC																																																																																															
F3	DH021161	Well TM																																																																																															
F4	DH022161	Valid																																																																																															
F5	DH023161	Non-vital																																																																																															
F6	DH024161	REDUNDANT																																																																																															
F7	DH025161	ON																																																																																															
M12	DH051161	Ignore Flag																																																																																															
M_C	DH043161	Ignore CNT																																																																																															
M8	DH038161	Ignore Flag																																																																																															
M9	DH039161	Ignore Flag																																																																																															
M10	DH040161	Ignore Flag																																																																																															
M11	DH041161	Update status																																																																																															
F12	DH050161	ENABLED																																																																																															
CNT	DH042161	LoopCnt1																																																																																															
F8	DH026161	Bus A																																																																																															
F9	DH027161	Healthy																																																																																															
F10	DH028161	Healthy																																																																																															
F11	DH029161	ENABLED																																																																																															
		Wait up to 1 minute for the generation of the D_H_Hk_P64 packet from the CDMU (APID = 18)																																																																																															

SPIRE ON, DPU_START - Switch ON the redundant SPIRE units
 File: H_COP_SPI_RSON.xls
 Author: L.Lucas-hp



Step No.	Time	Activity/Remarks	TC/TLM	Display/ Branch
		Verify: 1553 bus FDIR status SDB_FDIR DEFJ4160	= ENABLED	AND=ZAZ96999
6		Set default start conditions		Next Step: 7
		Note that a TM(5,1) [New_Step_Report] is generated after every SET_OBS_STEP TC		
	ET=+ UT=+00.00.00	SET_OBS_STEP Command Parameter(s) : OBSERVATION_STEP SP03N500 Subsch. ID : 370 Det. descr. : SET OBSERVATION STEP	SET_OBS_STEP SC003500 0 <hex>	
	ET=+ UT=+00.00.01	SET_BBID Command Parameter(s) : BUILDING_BLOCK_ID SP01N500 Subsch. ID : 370 Det. descr. : SET BUILDING BLOCK IDENTIFIER	SET_BBID SC001500 80010001 <hex>	
		Verify Telemetry BBFULLTYPE SM2LN500	= ClearObs	AND=ZAZ96999
	ET=+ UT=+00.00.00	SET_OBS_STEP Command Parameter(s) : OBSERVATION_STEP SP03N500 Subsch. ID : 370 Det. descr. : SET OBSERVATION STEP	SET_OBS_STEP SC003500 1 <hex>	
	ET=+ UT=+00.00.01	SET_OBSID Command Parameter(s) : OBSERVATION_ID SP00N500 Subsch. ID : 370 Det. descr. : SET OBSERVATION IDENTIFIER	SET_OBSID SC000500 00000000 <hex>	
		Verify Telemetry OBSID SM10N500	= 00000000 <hex>	AND=ZAZ96999
	ET=+ UT=+00.00.00	SET_OBS_STEP Command Parameter(s) : OBSERVATION_STEP SP03N500 Subsch. ID : 370 Det. descr. : SET OBSERVATION STEP	SET_OBS_STEP SC003500 0 <hex>	

SPIRE ON, DPU_START - Switch ON the redundant SPIRE units
 File: H_COP_SPI_RSON.xls
 Author: L.Lucas-hp



Step No.	Time	Activity/Remarks	TC/TLM	Display/ Branch	
	ET=+ UT=+00.00.01	SET_BBID Command Parameter(s) : BUILDING_BLOCK_ID Subsch. ID : 370 Det. descr. : SET BUILDING BLOCK IDENTIFIER	SET_BBID SP01N500 80000000 <hex>	SC001500	
		Verify Telemetry BBFULLTYPE	SM2LN500 = Null	AND=ZAZ96999	
	ET=+ UT=+00.00.00	SET_OBS_STEP Command Parameter(s) : OBSERVATION_STEP Subsch. ID : 370 Det. descr. : SET OBSERVATION STEP	SET_OBS_STEP SP03N500 0 <hex>	SC003500	
	ET=+ UT=+00.00.01	SET_BBID Command Parameter(s) : BUILDING_BLOCK_ID Subsch. ID : 370 Det. descr. : SET BUILDING BLOCK IDENTIFIER	SET_BBID SP01N500 80020001 <hex>	SC001500	
		Verify Telemetry BBFULLTYPE	SM2LN500 = StartObs	AND=ZAZ96999	
7		Set procedure conditions		Next Step: 8	
	ET=+ UT=+00.00.00	RESET_DRCU_COUNTERS Subsch. ID : 370 Det. descr. : RESET DRCU COUNTERS	RESET_DRCU_COUNTERS	SCD00505	
		Verify that the TRESET parameter has the same value as the THSK parameter TRESET	SM01T500 same as THSK	AND=ZAZ96999	
		THSK	SM00T500 any	AND=ZAZ96999	
		Note that a TM(5,1) [New_Step_Report] is generated after every SET_OBS_STEP TC			
	ET=+ UT=+00.00.00	SET_OBS_STEP Command Parameter(s) : OBSERVATION_STEP Subsch. ID : 370 Det. descr. : SET OBSERVATION STEP	SET_OBS_STEP SP03N500 1 <hex>	SC003500	

SPIRE ON, DPU_START - Switch ON the redundant SPIRE units
 File: H_COP_SPI_RSON.xls
 Author: L.Lucas-hp



Step No.	Time	Activity/Remarks	TC/TLM	Display/ Branch
	ET=+ UT=+00.00.01	SET_OBSID Command Parameter(s) : OBSERVATION_ID Subsch. ID : 370 Det. descr. : SET OBSERVATION IDENTIFIER	SET_OBSID SC000500 OBS_ID SP00N500	
		Verify Telemetry OBSID SM10N500	OBS_ID	AND=ZAZ96999
	ET=+ UT=+00.00.00	SET_OBS_STEP Command Parameter(s) : OBSERVATION_STEP Subsch. ID : 370 Det. descr. : SET OBSERVATION STEP	SET_OBS_STEP SC003500 0 <hex> SP03N500	
	ET=+ UT=+00.00.01	SET_BBID Command Parameter(s) : BUILDING_BLOCK_ID Subsch. ID : 370 Det. descr. : SET BUILDING BLOCK IDENTIFIER	SET_BBID SC001500 80000000 <hex> SP01N500	
		Verify Telemetry BBFULLTYPE SM2LN500	= Null	AND=ZAZ96999
	ET=+ UT=+00.00.00	SET_OBS_MODE Command Parameter(s) : OBSERVING_MODE Subsch. ID : 370 Det. descr. : SET OBSERVING MODE	SET_OBS_MODE SC002500 0 <hex> SP02N500	
		Verify Telemetry MODE SM00M500	= DPU_ON	AND=ZAZ96999
8		Start Primary Partition?		Next Step: yes 9 no 10
<p>TC Seq. Name :HCSRSONP (Start Primary Partit)</p> <p>TimeTag Type: B Sub Schedule ID: <input type="checkbox"/></p>				
9		Start Primary Partition of DPU and Update Tables		Next Step: 11

SPIRE ON, DPU_START - Switch ON the redundant SPIRE units
 File: H_COP_SPI_RSON.xls
 Author: L.Lucas-hp



Step No.	Time	Activity/Remarks	TC/TLM	Display/ Branch
		DATA_UPDTAB SPB8N500	7700 <hex>	
		DATA_UPDTAB SPB8N500	53010014 <hex>	
		DATA_UPDTAB SPB8N500	7F000000 <hex>	
		DATA_UPDTAB SPB8N500	20150003 <hex>	
		DATA_UPDTAB SPB8N500	16000015 <hex>	
		DATA_UPDTAB SPB8N500	2 <hex>	
		DATA_UPDTAB SPB8N500	22151506 <hex>	
		DATA_UPDTAB SPB8N500	14000015 <hex>	
		DATA_UPDTAB SPB8N500	7D0 <hex>	
		DATA_UPDTAB SPB8N500	32050002 <hex>	
		DATA_UPDTAB SPB8N500	30000005 <hex>	
		DATA_UPDTAB SPB8N500	14000015 <hex>	
		DATA_UPDTAB SPB8N500	7D0 <hex>	
		DATA_UPDTAB SPB8N500	14000015 <hex>	
		DATA_UPDTAB SPB8N500	7D0 <hex>	
		TC Control Flags :		
			GBM IL DSE	

		Subsch. ID : 370		
		Det. descr. : UPDATE CONTENTS OF A TABLE		
		UPDATE_TABLE	UPDATE_TABLE	SCB02500
	ET=+00.00.01 UT=+00.00.01	Command Parameter(s) :		
		TABLEID_UPDTAB SPB5N500	46 <hex>	
		INDEX_UPDTAB SPB6N500	26 <hex>	
		N_UPDTAB SPB7N500	38 <dec>	
		DATA_UPDTAB SPB8N500	35150016 <hex>	
		DATA_UPDTAB SPB8N500	30000005 <hex>	
		DATA_UPDTAB SPB8N500	12000015 <hex>	
		DATA_UPDTAB SPB8N500	7701 <hex>	
		DATA_UPDTAB SPB8N500	53010015 <hex>	
		DATA_UPDTAB SPB8N500	7F000000 <hex>	
		DATA_UPDTAB SPB8N500	80007D0 <hex>	
		DATA_UPDTAB SPB8N500	1000001 <hex>	
		DATA_UPDTAB SPB8N500	12000003 <hex>	
		DATA_UPDTAB SPB8N500	7D0 <hex>	
		DATA_UPDTAB SPB8N500	9000003 <hex>	
		DATA_UPDTAB SPB8N500	12000000 <hex>	
		DATA_UPDTAB SPB8N500	0 <hex>	
		DATA_UPDTAB SPB8N500	12000001 <hex>	
		DATA_UPDTAB SPB8N500	43E <hex>	
		DATA_UPDTAB SPB8N500	12000002 <hex>	
		DATA_UPDTAB SPB8N500	0 <hex>	
		DATA_UPDTAB SPB8N500	60640001 <hex>	
		DATA_UPDTAB SPB8N500	12000000 <hex>	
		DATA_UPDTAB SPB8N500	0 <hex>	
		DATA_UPDTAB SPB8N500	12000001 <hex>	
		DATA_UPDTAB SPB8N500	43C <hex>	
		DATA_UPDTAB SPB8N500	20020004 <hex>	

SPIRE ON, DPU_START - Switch ON the redundant SPIRE units
 File: H_COP_SPI_RSON.xls
 Author: L.Lucas-hp



Step No.	Time	Activity/Remarks	TC/TLM	Display/ Branch
		DATA_UPDTAB SPB8N500	60640001 <hex>	
		DATA_UPDTAB SPB8N500	12000000 <hex>	
		DATA_UPDTAB SPB8N500	0 <hex>	
		DATA_UPDTAB SPB8N500	12000001 <hex>	
		DATA_UPDTAB SPB8N500	43D <hex>	
		DATA_UPDTAB SPB8N500	20020005 <hex>	
		DATA_UPDTAB SPB8N500	60640001 <hex>	
		DATA_UPDTAB SPB8N500	32050008 <hex>	
		DATA_UPDTAB SPB8N500	12000000 <hex>	
		DATA_UPDTAB SPB8N500	0 <hex>	
		DATA_UPDTAB SPB8N500	12000001 <hex>	
		DATA_UPDTAB SPB8N500	43E <hex>	
		DATA_UPDTAB SPB8N500	12000002 <hex>	
		DATA_UPDTAB SPB8N500	1 <hex>	
		DATA_UPDTAB SPB8N500	60640001 <hex>	
		TC Control Flags :		
			GBM IL DSE	

		Subsch. ID : 370		
		Det. descr. : UPDATE CONTENTS OF A TABLE		
		UPDATE_TABLE	UPDATE_TABLE	SCB02500
	ET+=00.00.01 UT+=00.00.01	Command Parameter(s) :		
		TABLEID_UPDTAB SPB5N500	46 <hex>	
		INDEX_UPDTAB SPB6N500	4C <hex>	
		N_UPDTAB SPB7N500	38 <dec>	
		DATA_UPDTAB SPB8N500	12000000 <hex>	
		DATA_UPDTAB SPB8N500	2 <hex>	
		DATA_UPDTAB SPB8N500	12000001 <hex>	
		DATA_UPDTAB SPB8N500	82 <hex>	
		DATA_UPDTAB SPB8N500	12000002 <hex>	
		DATA_UPDTAB SPB8N500	0 <hex>	
		DATA_UPDTAB SPB8N500	60640001 <hex>	
		DATA_UPDTAB SPB8N500	12000000 <hex>	
		DATA_UPDTAB SPB8N500	2 <hex>	
		DATA_UPDTAB SPB8N500	12000001 <hex>	
		DATA_UPDTAB SPB8N500	83 <hex>	
		DATA_UPDTAB SPB8N500	20020007 <hex>	
		DATA_UPDTAB SPB8N500	60640001 <hex>	
		DATA_UPDTAB SPB8N500	12000000 <hex>	
		DATA_UPDTAB SPB8N500	2 <hex>	
		DATA_UPDTAB SPB8N500	12000001 <hex>	
		DATA_UPDTAB SPB8N500	84 <hex>	
		DATA_UPDTAB SPB8N500	20020008 <hex>	
		DATA_UPDTAB SPB8N500	60640001 <hex>	
		DATA_UPDTAB SPB8N500	32080008 <hex>	
		DATA_UPDTAB SPB8N500	12000000 <hex>	
		DATA_UPDTAB SPB8N500	2 <hex>	
		DATA_UPDTAB SPB8N500	12000001 <hex>	

SPIRE ON, DPU_START - Switch ON the redundant SPIRE units
 File: H_COP_SPI_RSON.xls
 Author: L.Lucas-hp



Step No.	Time	Activity/Remarks	TC/TLM	Display/ Branch
		DATA_UPDTAB SPB8N500	82 <hex>	
		DATA_UPDTAB SPB8N500	12000002 <hex>	
		DATA_UPDTAB SPB8N500	1 <hex>	
		DATA_UPDTAB SPB8N500	60640001 <hex>	
		DATA_UPDTAB SPB8N500	12000000 <hex>	
		DATA_UPDTAB SPB8N500	2 <hex>	
		DATA_UPDTAB SPB8N500	12000001 <hex>	
		DATA_UPDTAB SPB8N500	C8 <hex>	
		DATA_UPDTAB SPB8N500	2002001E <hex>	
		DATA_UPDTAB SPB8N500	60640001 <hex>	
		DATA_UPDTAB SPB8N500	32080002 <hex>	
		DATA_UPDTAB SPB8N500	3000000F <hex>	
		DATA_UPDTAB SPB8N500	12000000 <hex>	
		DATA_UPDTAB SPB8N500	2 <hex>	
		DATA_UPDTAB SPB8N500	12000001 <hex>	
		TC Control Flags :		
			GBM IL DSE	

		Subsch. ID : 370		
		Det. descr. : UPDATE CONTENTS OF A TABLE		
		UPDATE_TABLE	UPDATE_TABLE	SCB02500
	ET=+00.00.01 UT=+00.00.01	Command Parameter(s) :		
		TABLEID_UPDTAB SPB5N500	46 <hex>	
		INDEX_UPDTAB SPB6N500	72 <hex>	
		N_UPDTAB SPB7N500	38 <dec>	
		DATA_UPDTAB SPB8N500	82 <hex>	
		DATA_UPDTAB SPB8N500	12000002 <hex>	
		DATA_UPDTAB SPB8N500	0 <hex>	
		DATA_UPDTAB SPB8N500	60640001 <hex>	
		DATA_UPDTAB SPB8N500	12000000 <hex>	
		DATA_UPDTAB SPB8N500	2 <hex>	
		DATA_UPDTAB SPB8N500	12000001 <hex>	
		DATA_UPDTAB SPB8N500	82 <hex>	
		DATA_UPDTAB SPB8N500	12000002 <hex>	
		DATA_UPDTAB SPB8N500	1 <hex>	
		DATA_UPDTAB SPB8N500	60640001 <hex>	
		DATA_UPDTAB SPB8N500	9000014 <hex>	
		DATA_UPDTAB SPB8N500	1000000 <hex>	
		DATA_UPDTAB SPB8N500	80007D0 <hex>	
		DATA_UPDTAB SPB8N500	1000001 <hex>	
		DATA_UPDTAB SPB8N500	80007D0 <hex>	
		DATA_UPDTAB SPB8N500	32050002 <hex>	
		DATA_UPDTAB SPB8N500	3000000F <hex>	
		DATA_UPDTAB SPB8N500	12000000 <hex>	
		DATA_UPDTAB SPB8N500	0 <hex>	
		DATA_UPDTAB SPB8N500	12000001 <hex>	
		DATA_UPDTAB SPB8N500	43E <hex>	
		DATA_UPDTAB SPB8N500	12000002 <hex>	

SPIRE ON, DPU_START - Switch ON the redundant SPIRE units
 File: H_COP_SPI_RSON.xls
 Author: L.Lucas-hp



Step No.	Time	Activity/Remarks	TC/TLM	Display/ Branch
		DATA_UPDTAB SPB8N500	0 <hex>	
		DATA_UPDTAB SPB8N500	60640001 <hex>	
		DATA_UPDTAB SPB8N500	12000000 <hex>	
		DATA_UPDTAB SPB8N500	0 <hex>	
		DATA_UPDTAB SPB8N500	12000001 <hex>	
		DATA_UPDTAB SPB8N500	43E <hex>	
		DATA_UPDTAB SPB8N500	12000002 <hex>	
		DATA_UPDTAB SPB8N500	1 <hex>	
		DATA_UPDTAB SPB8N500	60640001 <hex>	
		DATA_UPDTAB SPB8N500	9000015 <hex>	
		DATA_UPDTAB SPB8N500	1000000 <hex>	
		DATA_UPDTAB SPB8N500	80007D0 <hex>	
		DATA_UPDTAB SPB8N500	1000001 <hex>	
		DATA_UPDTAB SPB8N500	80007D0 <hex>	
		DATA_UPDTAB SPB8N500	12000000 <hex>	
		TC Control Flags :		
			GBM IL DSE	

		Subsch. ID : 370		
		Det. descr. : UPDATE CONTENTS OF A TABLE		
		UPDATE_TABLE	UPDATE_TABLE	SCB02500
	ET+=00.00.01 UT+=00.00.01	Command Parameter(s) :		
		TABLEID_UPDTAB SPB5N500	46 <hex>	
		INDEX_UPDTAB SPB6N500	98 <hex>	
		N_UPDTAB SPB7N500	38 <dec>	
		DATA_UPDTAB SPB8N500	2 <hex>	
		DATA_UPDTAB SPB8N500	12000001 <hex>	
		DATA_UPDTAB SPB8N500	C8 <hex>	
		DATA_UPDTAB SPB8N500	2002001F <hex>	
		DATA_UPDTAB SPB8N500	60640001 <hex>	
		DATA_UPDTAB SPB8N500	32080002 <hex>	
		DATA_UPDTAB SPB8N500	3000000F <hex>	
		DATA_UPDTAB SPB8N500	12000000 <hex>	
		DATA_UPDTAB SPB8N500	2 <hex>	
		DATA_UPDTAB SPB8N500	12000001 <hex>	
		DATA_UPDTAB SPB8N500	82 <hex>	
		DATA_UPDTAB SPB8N500	12000002 <hex>	
		DATA_UPDTAB SPB8N500	0 <hex>	
		DATA_UPDTAB SPB8N500	60640001 <hex>	
		DATA_UPDTAB SPB8N500	12000000 <hex>	
		DATA_UPDTAB SPB8N500	2 <hex>	
		DATA_UPDTAB SPB8N500	12000001 <hex>	
		DATA_UPDTAB SPB8N500	82 <hex>	
		DATA_UPDTAB SPB8N500	12000002 <hex>	
		DATA_UPDTAB SPB8N500	1 <hex>	
		DATA_UPDTAB SPB8N500	60640001 <hex>	
		DATA_UPDTAB SPB8N500	9000014 <hex>	
		DATA_UPDTAB SPB8N500	1000000 <hex>	

SPIRE ON, DPU_START - Switch ON the redundant SPIRE units
 File: H_COP_SPI_RSON.xls
 Author: L.Lucas-hp



Step No.	Time	Activity/Remarks	TC/TLM	Display/ Branch
		DATA_UPDTAB SPB8N500	80007D0 <hex>	
		DATA_UPDTAB SPB8N500	1000001 <hex>	
		DATA_UPDTAB SPB8N500	80007D0 <hex>	
		DATA_UPDTAB SPB8N500	32050002 <hex>	
		DATA_UPDTAB SPB8N500	3000000F <hex>	
		DATA_UPDTAB SPB8N500	12000000 <hex>	
		DATA_UPDTAB SPB8N500	0 <hex>	
		DATA_UPDTAB SPB8N500	12000001 <hex>	
		DATA_UPDTAB SPB8N500	43E <hex>	
		DATA_UPDTAB SPB8N500	12000002 <hex>	
		DATA_UPDTAB SPB8N500	0 <hex>	
		DATA_UPDTAB SPB8N500	60640001 <hex>	
		DATA_UPDTAB SPB8N500	12000000 <hex>	
		DATA_UPDTAB SPB8N500	0 <hex>	
		DATA_UPDTAB SPB8N500	12000001 <hex>	
		TC Control Flags :		
			GBM IL DSE	

		Subsch. ID : 370		
		Det. descr. : UPDATE CONTENTS OF A TABLE		
		UPDATE_TABLE	UPDATE_TABLE	SCB02500
	ET=+00.00.01 UT=+00.00.01	Command Parameter(s) :		
		TABLEID_UPDTAB SPB5N500	46 <hex>	
		INDEX_UPDTAB SPB6N500	BE <hex>	
		N_UPDTAB SPB7N500	34 <dec>	
		DATA_UPDTAB SPB8N500	43E <hex>	
		DATA_UPDTAB SPB8N500	12000002 <hex>	
		DATA_UPDTAB SPB8N500	1 <hex>	
		DATA_UPDTAB SPB8N500	60640001 <hex>	
		DATA_UPDTAB SPB8N500	9000015 <hex>	
		DATA_UPDTAB SPB8N500	100000 <hex>	
		DATA_UPDTAB SPB8N500	80007D0 <hex>	
		DATA_UPDTAB SPB8N500	1000001 <hex>	
		DATA_UPDTAB SPB8N500	80007D0 <hex>	
		DATA_UPDTAB SPB8N500	1000001 <hex>	
		DATA_UPDTAB SPB8N500	80007D0 <hex>	
		DATA_UPDTAB SPB8N500	11000020 <hex>	
		DATA_UPDTAB SPB8N500	3220FF9F <hex>	
		DATA_UPDTAB SPB8N500	12000000 <hex>	
		DATA_UPDTAB SPB8N500	0 <hex>	
		DATA_UPDTAB SPB8N500	12000001 <hex>	
		DATA_UPDTAB SPB8N500	43E <hex>	
		DATA_UPDTAB SPB8N500	12000002 <hex>	
		DATA_UPDTAB SPB8N500	0 <hex>	
		DATA_UPDTAB SPB8N500	60640001 <hex>	
		DATA_UPDTAB SPB8N500	12000000 <hex>	
		DATA_UPDTAB SPB8N500	2 <hex>	
		DATA_UPDTAB SPB8N500	12000001 <hex>	
		DATA_UPDTAB SPB8N500	82 <hex>	
		DATA_UPDTAB SPB8N500	12000002 <hex>	

SPIRE ON, DPU_START - Switch ON the redundant SPIRE units
 File: H_COP_SPI_RSON.xls
 Author: L.Lucas-hp



Step No.	Time	Activity/Remarks	TC/TLM	Display/ Branch
	ET=+00.00.01 UT=+00.00.01	UPDATE_TABLE		
		UPDATE_TABLE	SCB02500	
		Command Parameter(s) :		
		TABLEID_UPDTAB	SPB5N500	48 <hex>
		INDEX_UPDTAB	SPB6N500	0 <hex>
		N_UPDTAB	SPB7N500	38 <dec>
		DATA_UPDTAB	SPB8N500	120000FC <hex>
		DATA_UPDTAB	SPB8N500	6D <hex>
		DATA_UPDTAB	SPB8N500	12000026 <hex>
		DATA_UPDTAB	SPB8N500	501 <hex>
		DATA_UPDTAB	SPB8N500	12000027 <hex>
		DATA_UPDTAB	SPB8N500	4801 <hex>
		DATA_UPDTAB	SPB8N500	53020026 <hex>
		DATA_UPDTAB	SPB8N500	2000000 <hex>
		DATA_UPDTAB	SPB8N500	200F0000 <hex>
		DATA_UPDTAB	SPB8N500	20100001 <hex>
		DATA_UPDTAB	SPB8N500	21110102 <hex>
		DATA_UPDTAB	SPB8N500	11000011 <hex>
		DATA_UPDTAB	SPB8N500	20120003 <hex>
		DATA_UPDTAB	SPB8N500	12000026 <hex>
		DATA_UPDTAB	SPB8N500	501 <hex>
		DATA_UPDTAB	SPB8N500	12000027 <hex>
		DATA_UPDTAB	SPB8N500	4802 <hex>
		DATA_UPDTAB	SPB8N500	53020026 <hex>
		DATA_UPDTAB	SPB8N500	2000000 <hex>
		DATA_UPDTAB	SPB8N500	20000004 <hex>
		DATA_UPDTAB	SPB8N500	20010005 <hex>
		DATA_UPDTAB	SPB8N500	20020006 <hex>
		DATA_UPDTAB	SPB8N500	20030007 <hex>
		DATA_UPDTAB	SPB8N500	20040008 <hex>
		DATA_UPDTAB	SPB8N500	60640003 <hex>
		DATA_UPDTAB	SPB8N500	32000050 <hex>
		DATA_UPDTAB	SPB8N500	20210001 <hex>
		DATA_UPDTAB	SPB8N500	20220002 <hex>
		DATA_UPDTAB	SPB8N500	12000026 <hex>
		DATA_UPDTAB	SPB8N500	501 <hex>
		DATA_UPDTAB	SPB8N500	12000027 <hex>
		DATA_UPDTAB	SPB8N500	4803 <hex>
		DATA_UPDTAB	SPB8N500	53020026 <hex>
		DATA_UPDTAB	SPB8N500	2000000 <hex>
		DATA_UPDTAB	SPB8N500	12000020 <hex>
		DATA_UPDTAB	SPB8N500	6B <hex>
		DATA_UPDTAB	SPB8N500	20070008 <hex>
		DATA_UPDTAB	SPB8N500	20080006 <hex>
		TC Control Flags :		
			GBM IL DSE	

		Subsch. ID : 370		
		Det. descr. : UPDATE CONTENTS OF A TABLE		

SPIRE ON, DPU_START - Switch ON the redundant SPIRE units
 File: H_COP_SPI_RSON.xls
 Author: L.Lucas-hp



Step No.	Time	Activity/Remarks	TC/TLM	Display/ Branch
	ET+=00.00.01 UT+=00.00.01	UPDATE_TABLE		
		UPDATE_TABLE	SCB02500	
		Command Parameter(s) :		
		TABLEID_UPDTAB	SPB5N500	48 <hex>
		INDEX_UPDTAB	SPB6N500	26 <hex>
		N_UPDTAB	SPB7N500	38 <dec>
		DATA_UPDTAB	SPB8N500	20040012 <hex>
		DATA_UPDTAB	SPB8N500	20050021 <hex>
		DATA_UPDTAB	SPB8N500	20060022 <hex>
		DATA_UPDTAB	SPB8N500	12000013 <hex>
		DATA_UPDTAB	SPB8N500	0 <hex>
		DATA_UPDTAB	SPB8N500	35130009 <hex>
		DATA_UPDTAB	SPB8N500	30000022 <hex>
		DATA_UPDTAB	SPB8N500	20FF0010 <hex>
		DATA_UPDTAB	SPB8N500	201E00FF <hex>
		DATA_UPDTAB	SPB8N500	1AFF0001 <hex>
		DATA_UPDTAB	SPB8N500	4BFF006D <hex>
		DATA_UPDTAB	SPB8N500	120000FF <hex>
		DATA_UPDTAB	SPB8N500	3 <hex>
		DATA_UPDTAB	SPB8N500	6107FC01 <hex>
		DATA_UPDTAB	SPB8N500	20FF001E <hex>
		DATA_UPDTAB	SPB8N500	650F2002 <hex>
		DATA_UPDTAB	SPB8N500	100000FF <hex>
		DATA_UPDTAB	SPB8N500	100000FF <hex>
		DATA_UPDTAB	SPB8N500	491E006B <hex>
		DATA_UPDTAB	SPB8N500	491F006C <hex>
		DATA_UPDTAB	SPB8N500	2000001E <hex>
		DATA_UPDTAB	SPB8N500	18000000 <hex>
		DATA_UPDTAB	SPB8N500	FFFF <hex>
		DATA_UPDTAB	SPB8N500	2001001E <hex>
		DATA_UPDTAB	SPB8N500	1A010010 <hex>
		DATA_UPDTAB	SPB8N500	18000001 <hex>
		DATA_UPDTAB	SPB8N500	FFFF <hex>
		DATA_UPDTAB	SPB8N500	2002001F <hex>
		DATA_UPDTAB	SPB8N500	18000002 <hex>
		DATA_UPDTAB	SPB8N500	FFFF <hex>
		DATA_UPDTAB	SPB8N500	2003001F <hex>
		DATA_UPDTAB	SPB8N500	1A030010 <hex>
		DATA_UPDTAB	SPB8N500	18000003 <hex>
		DATA_UPDTAB	SPB8N500	FFFF <hex>
		DATA_UPDTAB	SPB8N500	60640004 <hex>
		DATA_UPDTAB	SPB8N500	32000020 <hex>
		DATA_UPDTAB	SPB8N500	34FF0011 <hex>
		DATA_UPDTAB	SPB8N500	30FFFFE3 <hex>
		TC Control Flags :		
			GBM IL DSE	

		Subsch. ID : 370		
		Det. descr. : UPDATE CONTENTS OF A TABLE		

SPIRE ON, DPU_START - Switch ON the redundant SPIRE units
 File: H_COP_SPI_RSON.xls
 Author: L.Lucas-hp



Step No.	Time	Activity/Remarks	TC/TLM	Display/ Branch
	ET=+00.00.01 UT=+00.00.01	UPDATE_TABLE		
		UPDATE_TABLE	SCB02500	
		Command Parameter(s) :		
		TABLEID_UPDTAB SPB5N500	50 <hex>	
		INDEX_UPDTAB SPB6N500	0 <hex>	
		N_UPDTAB SPB7N500	38 <dec>	
		DATA_UPDTAB SPB8N500	120000FC <hex>	
		DATA_UPDTAB SPB8N500	145 <hex>	
		DATA_UPDTAB SPB8N500	120000FD <hex>	
		DATA_UPDTAB SPB8N500	100 <hex>	
		DATA_UPDTAB SPB8N500	120000FF <hex>	
		DATA_UPDTAB SPB8N500	2 <hex>	
		DATA_UPDTAB SPB8N500	12000014 <hex>	
		DATA_UPDTAB SPB8N500	1 <hex>	
		DATA_UPDTAB SPB8N500	4B140145 <hex>	
		DATA_UPDTAB SPB8N500	6107FC01 <hex>	
		DATA_UPDTAB SPB8N500	4B01014B <hex>	
		DATA_UPDTAB SPB8N500	4B02014C <hex>	
		DATA_UPDTAB SPB8N500	4B030159 <hex>	
		DATA_UPDTAB SPB8N500	4B040153 <hex>	
		DATA_UPDTAB SPB8N500	4B050154 <hex>	
		DATA_UPDTAB SPB8N500	4B060155 <hex>	
		DATA_UPDTAB SPB8N500	4B070156 <hex>	
		DATA_UPDTAB SPB8N500	19000007 <hex>	
		DATA_UPDTAB SPB8N500	80000000 <hex>	
		DATA_UPDTAB SPB8N500	4B070157 <hex>	
		DATA_UPDTAB SPB8N500	4B08015B <hex>	
		DATA_UPDTAB SPB8N500	4B09015C <hex>	
		DATA_UPDTAB SPB8N500	4B0A015D <hex>	
		DATA_UPDTAB SPB8N500	4B0B016A <hex>	
		DATA_UPDTAB SPB8N500	4B0C016B <hex>	
		DATA_UPDTAB SPB8N500	4B0D016C <hex>	
		DATA_UPDTAB SPB8N500	1000000E <hex>	
		DATA_UPDTAB SPB8N500	63FD001D <hex>	
		DATA_UPDTAB SPB8N500	4B000149 <hex>	
		DATA_UPDTAB SPB8N500	49000159 <hex>	
		DATA_UPDTAB SPB8N500	63FD001D <hex>	
		DATA_UPDTAB SPB8N500	4B000159 <hex>	
		DATA_UPDTAB SPB8N500	12000001 <hex>	
		DATA_UPDTAB SPB8N500	40000000 <hex>	
		DATA_UPDTAB SPB8N500	63FD0013 <hex>	
		DATA_UPDTAB SPB8N500	4B00015A <hex>	
		DATA_UPDTAB SPB8N500	12000000 <hex>	
		DATA_UPDTAB SPB8N500	49742400 <hex>	
		TC Control Flags :		
			GBM IL DSE	

		Subsch. ID : 370		
		Det. descr. : UPDATE CONTENTS OF A TABLE		

SPIRE ON, DPU_START - Switch ON the redundant SPIRE units
 File: H_COP_SPI_RSON.xls
 Author: L.Lucas-hp



Step No.	Time	Activity/Remarks	TC/TLM	Display/ Branch
	ET+=00.00.01 UT+=00.00.01	UPDATE_TABLE		
		UPDATE_TABLE	SCB02500	
		Command Parameter(s) :		
		TABLEID_UPDTAB SPB8N500	50 <hex>	
		INDEX_UPDTAB SPB6N500	26 <hex>	
		N_UPDTAB SPB7N500	38 <dec>	
		DATA_UPDTAB SPB8N500	49010159 <hex>	
		DATA_UPDTAB SPB8N500	63FD0013 <hex>	
		DATA_UPDTAB SPB8N500	4B000158 <hex>	
		DATA_UPDTAB SPB8N500	120000FF <hex>	
		DATA_UPDTAB SPB8N500	2 <hex>	
		DATA_UPDTAB SPB8N500	12000014 <hex>	
		DATA_UPDTAB SPB8N500	2 <hex>	
		DATA_UPDTAB SPB8N500	4B140145 <hex>	
		DATA_UPDTAB SPB8N500	6107FC01 <hex>	
		DATA_UPDTAB SPB8N500	4900014E <hex>	
		DATA_UPDTAB SPB8N500	4B00014F <hex>	
		DATA_UPDTAB SPB8N500	4900014D <hex>	
		DATA_UPDTAB SPB8N500	4B00014E <hex>	
		DATA_UPDTAB SPB8N500	80007D0 <hex>	
		DATA_UPDTAB SPB8N500	1000001 <hex>	
		DATA_UPDTAB SPB8N500	4900014B <hex>	
		DATA_UPDTAB SPB8N500	12000001 <hex>	
		DATA_UPDTAB SPB8N500	BB8 <hex>	
		DATA_UPDTAB SPB8N500	60640000 <hex>	
		DATA_UPDTAB SPB8N500	49020148 <hex>	
		DATA_UPDTAB SPB8N500	12000003 <hex>	
		DATA_UPDTAB SPB8N500	7D0 <hex>	
		DATA_UPDTAB SPB8N500	22020203 <hex>	
		DATA_UPDTAB SPB8N500	12000003 <hex>	
		DATA_UPDTAB SPB8N500	7D0 <hex>	
		DATA_UPDTAB SPB8N500	22020203 <hex>	
		DATA_UPDTAB SPB8N500	9000002 <hex>	
		DATA_UPDTAB SPB8N500	1000000 <hex>	
		DATA_UPDTAB SPB8N500	3200FFF1 <hex>	
		DATA_UPDTAB SPB8N500	20000001 <hex>	
		DATA_UPDTAB SPB8N500	63FD001D <hex>	
		DATA_UPDTAB SPB8N500	4B00014D <hex>	
		DATA_UPDTAB SPB8N500	49000151 <hex>	
		DATA_UPDTAB SPB8N500	4B000152 <hex>	
		DATA_UPDTAB SPB8N500	49000150 <hex>	
		DATA_UPDTAB SPB8N500	4B000151 <hex>	
		DATA_UPDTAB SPB8N500	12000000 <hex>	
		DATA_UPDTAB SPB8N500	40000000 <hex>	
		TC Control Flags :		
			GBM IL DSE	

		Subsch. ID : 370		
		Det. descr. : UPDATE CONTENTS OF A TABLE		

SPIRE ON, DPU_START - Switch ON the redundant SPIRE units
 File: H_COP_SPI_RSON.xls
 Author: L.Lucas-hp



Step No.	Time	Activity/Remarks	TC/TLM	Display/ Branch
	ET=+00.00.01 UT=+00.00.01	UPDATE_TABLE		
		UPDATE_TABLE	SCB02500	
		Command Parameter(s) :		
		TABLEID_UPDTAB SPB5N500	50 <hex>	
		INDEX_UPDTAB SPB6N500	4C <hex>	
		N_UPDTAB SPB7N500	38 <dec>	
		DATA_UPDTAB SPB8N500	4901014E <hex>	
		DATA_UPDTAB SPB8N500	63FD0012 <hex>	
		DATA_UPDTAB SPB8N500	4901014D <hex>	
		DATA_UPDTAB SPB8N500	63FD0010 <hex>	
		DATA_UPDTAB SPB8N500	4901014F <hex>	
		DATA_UPDTAB SPB8N500	63FD0010 <hex>	
		DATA_UPDTAB SPB8N500	4B000150 <hex>	
		DATA_UPDTAB SPB8N500	49000151 <hex>	
		DATA_UPDTAB SPB8N500	4901015C <hex>	
		DATA_UPDTAB SPB8N500	63FD0012 <hex>	
		DATA_UPDTAB SPB8N500	49010150 <hex>	
		DATA_UPDTAB SPB8N500	63FD0010 <hex>	
		DATA_UPDTAB SPB8N500	4B000150 <hex>	
		DATA_UPDTAB SPB8N500	49000152 <hex>	
		DATA_UPDTAB SPB8N500	4901015D <hex>	
		DATA_UPDTAB SPB8N500	63FD0012 <hex>	
		DATA_UPDTAB SPB8N500	49010150 <hex>	
		DATA_UPDTAB SPB8N500	63FD0010 <hex>	
		DATA_UPDTAB SPB8N500	4B000150 <hex>	
		DATA_UPDTAB SPB8N500	1100000E <hex>	
		DATA_UPDTAB SPB8N500	320EFFF <hex>	
		DATA_UPDTAB SPB8N500	1200000E <hex>	
		DATA_UPDTAB SPB8N500	1 <hex>	
		DATA_UPDTAB SPB8N500	120000FF <hex>	
		DATA_UPDTAB SPB8N500	2 <hex>	
		DATA_UPDTAB SPB8N500	12000014 <hex>	
		DATA_UPDTAB SPB8N500	3 <hex>	
		DATA_UPDTAB SPB8N500	4B140145 <hex>	
		DATA_UPDTAB SPB8N500	6107FC01 <hex>	
		DATA_UPDTAB SPB8N500	49000164 <hex>	
		DATA_UPDTAB SPB8N500	12000001 <hex>	
		DATA_UPDTAB SPB8N500	BF800000 <hex>	
		DATA_UPDTAB SPB8N500	63FD0012 <hex>	
		DATA_UPDTAB SPB8N500	4B000165 <hex>	
		DATA_UPDTAB SPB8N500	49000150 <hex>	
		DATA_UPDTAB SPB8N500	4901015B <hex>	
		DATA_UPDTAB SPB8N500	63FD0013 <hex>	
		DATA_UPDTAB SPB8N500	20010000 <hex>	
		TC Control Flags :		
			GBM IL DSE	

		Subsch. ID : 370		
		Det. descr. : UPDATE CONTENTS OF A TABLE		

SPIRE ON, DPU_START - Switch ON the redundant SPIRE units
 File: H_COP_SPI_RSON.xls
 Author: L.Lucas-hp



Step No.	Time	Activity/Remarks	TC/TLM	Display/ Branch
	ET=+00.00.01 UT=+00.00.01	UPDATE_TABLE		
		UPDATE_TABLE	SCB02500	
		Command Parameter(s) :		
		TABLEID_UPDTAB SPB5N500	50 <hex>	
		INDEX_UPDTAB SPB6N500	72 <hex>	
		N_UPDTAB SPB7N500	38 <dec>	
		DATA_UPDTAB SPB8N500	49000149 <hex>	
		DATA_UPDTAB SPB8N500	63FD0011 <hex>	
		DATA_UPDTAB SPB8N500	4B000164 <hex>	
		DATA_UPDTAB SPB8N500	49010153 <hex>	
		DATA_UPDTAB SPB8N500	63FD0012 <hex>	
		DATA_UPDTAB SPB8N500	4B000167 <hex>	
		DATA_UPDTAB SPB8N500	49000164 <hex>	
		DATA_UPDTAB SPB8N500	49010158 <hex>	
		DATA_UPDTAB SPB8N500	63FD0013 <hex>	
		DATA_UPDTAB SPB8N500	49010166 <hex>	
		DATA_UPDTAB SPB8N500	63FD0010 <hex>	
		DATA_UPDTAB SPB8N500	4B000166 <hex>	
		DATA_UPDTAB SPB8N500	49010156 <hex>	
		DATA_UPDTAB SPB8N500	63FD0011 <hex>	
		DATA_UPDTAB SPB8N500	18000000 <hex>	
		DATA_UPDTAB SPB8N500	80000000 <hex>	
		DATA_UPDTAB SPB8N500	32000003 <hex>	
		DATA_UPDTAB SPB8N500	49000156 <hex>	
		DATA_UPDTAB SPB8N500	4B000166 <hex>	
		DATA_UPDTAB SPB8N500	49010166 <hex>	
		DATA_UPDTAB SPB8N500	49000157 <hex>	
		DATA_UPDTAB SPB8N500	63FD0011 <hex>	
		DATA_UPDTAB SPB8N500	18000000 <hex>	
		DATA_UPDTAB SPB8N500	80000000 <hex>	
		DATA_UPDTAB SPB8N500	32000003 <hex>	
		DATA_UPDTAB SPB8N500	49000157 <hex>	
		DATA_UPDTAB SPB8N500	4B000166 <hex>	
		DATA_UPDTAB SPB8N500	49000166 <hex>	
		DATA_UPDTAB SPB8N500	49010154 <hex>	
		DATA_UPDTAB SPB8N500	63FD0012 <hex>	
		DATA_UPDTAB SPB8N500	4B000168 <hex>	
		DATA_UPDTAB SPB8N500	49000164 <hex>	
		DATA_UPDTAB SPB8N500	49010165 <hex>	
		DATA_UPDTAB SPB8N500	63FD0010 <hex>	
		DATA_UPDTAB SPB8N500	49010158 <hex>	
		DATA_UPDTAB SPB8N500	63FD0012 <hex>	
		DATA_UPDTAB SPB8N500	49010155 <hex>	
		DATA_UPDTAB SPB8N500	63FD0012 <hex>	
		TC Control Flags :		
			GBM IL DSE	

		Subsch. ID : 370		
		Det. descr. : UPDATE CONTENTS OF A TABLE		

SPIRE ON, DPU_START - Switch ON the redundant SPIRE units
 File: H_COP_SPI_RSON.xls
 Author: L.Lucas-hp



Step No.	Time	Activity/Remarks	TC/TLM	Display/ Branch
	ET=+00.00.01 UT=+00.00.01	UPDATE_TABLE		
		UPDATE_TABLE	SCB02500	
		Command Parameter(s) :		
		TABLEID_UPDTAB SPB5N500	50 <hex>	
		INDEX_UPDTAB SPB6N500	98 <hex>	
		N_UPDTAB SPB7N500	38 <dec>	
		DATA_UPDTAB SPB8N500	4B000169 <hex>	
		DATA_UPDTAB SPB8N500	49000167 <hex>	
		DATA_UPDTAB SPB8N500	49010168 <hex>	
		DATA_UPDTAB SPB8N500	63FD0010 <hex>	
		DATA_UPDTAB SPB8N500	49010169 <hex>	
		DATA_UPDTAB SPB8N500	63FD0010 <hex>	
		DATA_UPDTAB SPB8N500	4B00015E <hex>	
		DATA_UPDTAB SPB8N500	63FD001C <hex>	
		DATA_UPDTAB SPB8N500	4B000161 <hex>	
		DATA_UPDTAB SPB8N500	63FD001D <hex>	
		DATA_UPDTAB SPB8N500	20010000 <hex>	
		DATA_UPDTAB SPB8N500	4900015E <hex>	
		DATA_UPDTAB SPB8N500	63FD0011 <hex>	
		DATA_UPDTAB SPB8N500	4B00015F <hex>	
		DATA_UPDTAB SPB8N500	4900016B <hex>	
		DATA_UPDTAB SPB8N500	32000010 <hex>	
		DATA_UPDTAB SPB8N500	4900015F <hex>	
		DATA_UPDTAB SPB8N500	12000001 <hex>	
		DATA_UPDTAB SPB8N500	3F000000 <hex>	
		DATA_UPDTAB SPB8N500	63FD0011 <hex>	
		DATA_UPDTAB SPB8N500	18000000 <hex>	
		DATA_UPDTAB SPB8N500	80000000 <hex>	
		DATA_UPDTAB SPB8N500	49010161 <hex>	
		DATA_UPDTAB SPB8N500	32000002 <hex>	
		DATA_UPDTAB SPB8N500	10000001 <hex>	
		DATA_UPDTAB SPB8N500	4B010161 <hex>	
		DATA_UPDTAB SPB8N500	4B010160 <hex>	
		DATA_UPDTAB SPB8N500	4900015A <hex>	
		DATA_UPDTAB SPB8N500	4B000163 <hex>	
		DATA_UPDTAB SPB8N500	4B000162 <hex>	
		DATA_UPDTAB SPB8N500	3000003A <hex>	
		DATA_UPDTAB SPB8N500	4900015F <hex>	
		DATA_UPDTAB SPB8N500	12000001 <hex>	
		DATA_UPDTAB SPB8N500	0 <hex>	
		DATA_UPDTAB SPB8N500	63FD0011 <hex>	
		DATA_UPDTAB SPB8N500	18000000 <hex>	
		DATA_UPDTAB SPB8N500	80000000 <hex>	
		DATA_UPDTAB SPB8N500	32000014 <hex>	
		TC Control Flags :		
			GBM IL DSE	

		Subsch. ID : 370		
		Det. descr. : UPDATE CONTENTS OF A TABLE		

SPIRE ON, DPU_START - Switch ON the redundant SPIRE units
 File: H_COP_SPI_RSON.xls
 Author: L.Lucas-hp



Step No.	Time	Activity/Remarks	TC/TLM	Display/ Branch
	ET=+00.00.01 UT=+00.00.01	UPDATE_TABLE	SCB02500	
		UPDATE_TABLE		
		Command Parameter(s) :		
		TABLEID_UPDTAB SPB5N500	50 <hex>	
		INDEX_UPDTAB SPB6N500	BE <hex>	
		N_UPDTAB SPB7N500	38 <dec>	
		DATA_UPDTAB SPB8N500	4901015F <hex>	
		DATA_UPDTAB SPB8N500	12000000 <hex>	
		DATA_UPDTAB SPB8N500	3F400000 <hex>	
		DATA_UPDTAB SPB8N500	63FD0011 <hex>	
		DATA_UPDTAB SPB8N500	18000000 <hex>	
		DATA_UPDTAB SPB8N500	80000000 <hex>	
		DATA_UPDTAB SPB8N500	32000020 <hex>	
		DATA_UPDTAB SPB8N500	49000161 <hex>	
		DATA_UPDTAB SPB8N500	10000000 <hex>	
		DATA_UPDTAB SPB8N500	4B000160 <hex>	
		DATA_UPDTAB SPB8N500	4900015F <hex>	
		DATA_UPDTAB SPB8N500	49010159 <hex>	
		DATA_UPDTAB SPB8N500	63FD0012 <hex>	
		DATA_UPDTAB SPB8N500	4B000162 <hex>	
		DATA_UPDTAB SPB8N500	20010000 <hex>	
		DATA_UPDTAB SPB8N500	49000159 <hex>	
		DATA_UPDTAB SPB8N500	63FD0011 <hex>	
		DATA_UPDTAB SPB8N500	4B000163 <hex>	
		DATA_UPDTAB SPB8N500	30000020 <hex>	
		DATA_UPDTAB SPB8N500	49000161 <hex>	
		DATA_UPDTAB SPB8N500	10000000 <hex>	
		DATA_UPDTAB SPB8N500	4B000160 <hex>	
		DATA_UPDTAB SPB8N500	11000000 <hex>	
		DATA_UPDTAB SPB8N500	4B000161 <hex>	
		DATA_UPDTAB SPB8N500	4900015F <hex>	
		DATA_UPDTAB SPB8N500	12000001 <hex>	
		DATA_UPDTAB SPB8N500	3F800000 <hex>	
		DATA_UPDTAB SPB8N500	63FD0010 <hex>	
		DATA_UPDTAB SPB8N500	4B00015F <hex>	
		DATA_UPDTAB SPB8N500	4901015A <hex>	
		DATA_UPDTAB SPB8N500	63FD0012 <hex>	
		DATA_UPDTAB SPB8N500	4B000162 <hex>	
		DATA_UPDTAB SPB8N500	20010000 <hex>	
		DATA_UPDTAB SPB8N500	49000159 <hex>	
		DATA_UPDTAB SPB8N500	63FD0011 <hex>	
		DATA_UPDTAB SPB8N500	4B000163 <hex>	
		DATA_UPDTAB SPB8N500	3000000D <hex>	
		TC Control Flags :		
			GBM IL DSE	

		Subsch. ID : 370		
		Det. descr. : UPDATE CONTENTS OF A TABLE		

SPIRE ON, DPU_START - Switch ON the redundant SPIRE units
 File: H_COP_SPI_RSON.xls
 Author: L.Lucas-hp



Step No.	Time	Activity/Remarks	TC/TLM	Display/ Branch
	ET=+00.00.01 UT=+00.00.01	UPDATE_TABLE		
		UPDATE_TABLE	SCB02500	
		Command Parameter(s) :		
		TABLEID_UPDTAB SPB5N500	50 <hex>	
		INDEX_UPDTAB SPB6N500	E4 <hex>	
		N_UPDTAB SPB7N500	38 <dec>	
		DATA_UPDTAB SPB8N500	49000161 <hex>	
		DATA_UPDTAB SPB8N500	10000000 <hex>	
		DATA_UPDTAB SPB8N500	10000000 <hex>	
		DATA_UPDTAB SPB8N500	4B000160 <hex>	
		DATA_UPDTAB SPB8N500	4900015F <hex>	
		DATA_UPDTAB SPB8N500	4901015A <hex>	
		DATA_UPDTAB SPB8N500	63FD0012 <hex>	
		DATA_UPDTAB SPB8N500	4B000162 <hex>	
		DATA_UPDTAB SPB8N500	20010000 <hex>	
		DATA_UPDTAB SPB8N500	49000159 <hex>	
		DATA_UPDTAB SPB8N500	63FD0011 <hex>	
		DATA_UPDTAB SPB8N500	4B000163 <hex>	
		DATA_UPDTAB SPB8N500	49000161 <hex>	
		DATA_UPDTAB SPB8N500	12000001 <hex>	
		DATA_UPDTAB SPB8N500	0 <hex>	
		DATA_UPDTAB SPB8N500	35000001 <hex>	
		DATA_UPDTAB SPB8N500	30000007 <hex>	
		DATA_UPDTAB SPB8N500	4B010161 <hex>	
		DATA_UPDTAB SPB8N500	4B010160 <hex>	
		DATA_UPDTAB SPB8N500	4901015A <hex>	
		DATA_UPDTAB SPB8N500	4B010163 <hex>	
		DATA_UPDTAB SPB8N500	4B010162 <hex>	
		DATA_UPDTAB SPB8N500	3000000A <hex>	
		DATA_UPDTAB SPB8N500	49000160 <hex>	
		DATA_UPDTAB SPB8N500	4901016A <hex>	
		DATA_UPDTAB SPB8N500	34000001 <hex>	
		DATA_UPDTAB SPB8N500	30000006 <hex>	
		DATA_UPDTAB SPB8N500	4B010161 <hex>	
		DATA_UPDTAB SPB8N500	4B010160 <hex>	
		DATA_UPDTAB SPB8N500	4901015A <hex>	
		DATA_UPDTAB SPB8N500	4B010163 <hex>	
		DATA_UPDTAB SPB8N500	4B010162 <hex>	
		DATA_UPDTAB SPB8N500	80007D0 <hex>	
		DATA_UPDTAB SPB8N500	1000001 <hex>	
		DATA_UPDTAB SPB8N500	12000000 <hex>	
		DATA_UPDTAB SPB8N500	2 <hex>	
		DATA_UPDTAB SPB8N500	4901014C <hex>	
		DATA_UPDTAB SPB8N500	49020161 <hex>	
		TC Control Flags :		
			GBM IL DSE	

		Subsch. ID : 370		
		Det. descr. : UPDATE CONTENTS OF A TABLE		

SPIRE ON, DPU_START - Switch ON the redundant SPIRE units
 File: H_COP_SPI_RSON.xls
 Author: L.Lucas-hp



Step No.	Time	Activity/Remarks	TC/TLM	Display/ Branch
	ET=+00.00.01 UT=+00.00.01	UPDATE_TABLE		
		UPDATE_TABLE	SCB02500	
		Command Parameter(s) :		
		TABLEID_UPDTAB SPB8N500	50 <hex>	
		INDEX_UPDTAB SPB6N500	10A <hex>	
		N_UPDTAB SPB7N500	38 <dec>	
		DATA_UPDTAB SPB8N500	12000003 <hex>	
		DATA_UPDTAB SPB8N500	BB8 <hex>	
		DATA_UPDTAB SPB8N500	60640001 <hex>	
		DATA_UPDTAB SPB8N500	49000163 <hex>	
		DATA_UPDTAB SPB8N500	63FD001C <hex>	
		DATA_UPDTAB SPB8N500	12000002 <hex>	
		DATA_UPDTAB SPB8N500	7D0 <hex>	
		DATA_UPDTAB SPB8N500	22000002 <hex>	
		DATA_UPDTAB SPB8N500	12000002 <hex>	
		DATA_UPDTAB SPB8N500	7D0 <hex>	
		DATA_UPDTAB SPB8N500	22000002 <hex>	
		DATA_UPDTAB SPB8N500	9000000 <hex>	
		DATA_UPDTAB SPB8N500	1000000 <hex>	
		DATA_UPDTAB SPB8N500	80007D0 <hex>	
		DATA_UPDTAB SPB8N500	1000001 <hex>	
		DATA_UPDTAB SPB8N500	12000000 <hex>	
		DATA_UPDTAB SPB8N500	2 <hex>	
		DATA_UPDTAB SPB8N500	4901014C <hex>	
		DATA_UPDTAB SPB8N500	49020160 <hex>	
		DATA_UPDTAB SPB8N500	12000003 <hex>	
		DATA_UPDTAB SPB8N500	BB8 <hex>	
		DATA_UPDTAB SPB8N500	60640001 <hex>	
		DATA_UPDTAB SPB8N500	49000162 <hex>	
		DATA_UPDTAB SPB8N500	63FD001C <hex>	
		DATA_UPDTAB SPB8N500	49010148 <hex>	
		DATA_UPDTAB SPB8N500	22000001 <hex>	
		DATA_UPDTAB SPB8N500	12000001 <hex>	
		DATA_UPDTAB SPB8N500	7D0 <hex>	
		DATA_UPDTAB SPB8N500	22000001 <hex>	
		DATA_UPDTAB SPB8N500	12000001 <hex>	
		DATA_UPDTAB SPB8N500	7D0 <hex>	
		DATA_UPDTAB SPB8N500	22000001 <hex>	
		DATA_UPDTAB SPB8N500	9000000 <hex>	
		DATA_UPDTAB SPB8N500	1000000 <hex>	
		DATA_UPDTAB SPB8N500	4900016C <hex>	
		DATA_UPDTAB SPB8N500	32000002 <hex>	
		DATA_UPDTAB SPB8N500	30000015 <hex>	
		DATA_UPDTAB SPB8N500	49FF0146 <hex>	
		TC Control Flags :		
			GBM IL DSE	

		Subsch. ID : 370		
		Det. descr. : UPDATE CONTENTS OF A TABLE		

SPIRE ON, DPU_START - Switch ON the redundant SPIRE units
 File: H_COP_SPI_RSON.xls
 Author: L.Lucas-hp



Step No.	Time	Activity/Remarks	TC/TLM	Display/ Branch
	ET=+00.00.01 UT=+00.00.01	UPDATE_TABLE		
		UPDATE_TABLE	SCB02500	
		Command Parameter(s) :		
		TABLEID_UPDTAB SPB5N500	51 <hex>	
		INDEX_UPDTAB SPB6N500	0 <hex>	
		N_UPDTAB SPB7N500	38 <dec>	
		DATA_UPDTAB SPB8N500	120000FC <hex>	
		DATA_UPDTAB SPB8N500	196 <hex>	
		DATA_UPDTAB SPB8N500	120000FD <hex>	
		DATA_UPDTAB SPB8N500	100 <hex>	
		DATA_UPDTAB SPB8N500	120000FF <hex>	
		DATA_UPDTAB SPB8N500	1 <hex>	
		DATA_UPDTAB SPB8N500	12000014 <hex>	
		DATA_UPDTAB SPB8N500	1 <hex>	
		DATA_UPDTAB SPB8N500	4B140196 <hex>	
		DATA_UPDTAB SPB8N500	6107FC01 <hex>	
		DATA_UPDTAB SPB8N500	4B01019C <hex>	
		DATA_UPDTAB SPB8N500	4B0201A9 <hex>	
		DATA_UPDTAB SPB8N500	4B0301A3 <hex>	
		DATA_UPDTAB SPB8N500	4B0401A4 <hex>	
		DATA_UPDTAB SPB8N500	4B0501A5 <hex>	
		DATA_UPDTAB SPB8N500	4B0601A6 <hex>	
		DATA_UPDTAB SPB8N500	19000006 <hex>	
		DATA_UPDTAB SPB8N500	80000000 <hex>	
		DATA_UPDTAB SPB8N500	4B0601A7 <hex>	
		DATA_UPDTAB SPB8N500	4B0701AB <hex>	
		DATA_UPDTAB SPB8N500	4B0801AC <hex>	
		DATA_UPDTAB SPB8N500	4B0901AD <hex>	
		DATA_UPDTAB SPB8N500	4B0A01BB <hex>	
		DATA_UPDTAB SPB8N500	4B0B01BA <hex>	
		DATA_UPDTAB SPB8N500	4B0C01BC <hex>	
		DATA_UPDTAB SPB8N500	4B0D01BD <hex>	
		DATA_UPDTAB SPB8N500	1000000E <hex>	
		DATA_UPDTAB SPB8N500	4B0F01BE <hex>	
		DATA_UPDTAB SPB8N500	20140000 <hex>	
		DATA_UPDTAB SPB8N500	4900019C <hex>	
		DATA_UPDTAB SPB8N500	12000001 <hex>	
		DATA_UPDTAB SPB8N500	BB8 <hex>	
		DATA_UPDTAB SPB8N500	13000001 <hex>	
		DATA_UPDTAB SPB8N500	7D0 <hex>	
		DATA_UPDTAB SPB8N500	13000001 <hex>	
		DATA_UPDTAB SPB8N500	7D0 <hex>	
		DATA_UPDTAB SPB8N500	49020199 <hex>	
		DATA_UPDTAB SPB8N500	22020201 <hex>	
		TC Control Flags :		
			GBM IL DSE	

		Subsch. ID : 370		
		Det. descr. : UPDATE CONTENTS OF A TABLE		

SPIRE ON, DPU_START - Switch ON the redundant SPIRE units
 File: H_COP_SPI_RSON.xls
 Author: L.Lucas-hp



Step No.	Time	Activity/Remarks	TC/TLM	Display/ Branch
	ET=+00.00.01 UT=+00.00.01	UPDATE_TABLE UPDATE_TABLE	SCB02500	
		Command Parameter(s) :		
		TABLEID_UPDTAB SPB5N500	51 <hex>	
		INDEX_UPDTAB SPB6N500	26 <hex>	
		N_UPDTAB SPB7N500	38 <dec>	
		DATA_UPDTAB SPB8N500	4000016E <hex>	
		DATA_UPDTAB SPB8N500	9000002 <hex>	
		DATA_UPDTAB SPB8N500	2000000 <hex>	
		DATA_UPDTAB SPB8N500	32000140 <hex>	
		DATA_UPDTAB SPB8N500	22000114 <hex>	
		DATA_UPDTAB SPB8N500	63FD001D <hex>	
		DATA_UPDTAB SPB8N500	4B00019A <hex>	
		DATA_UPDTAB SPB8N500	490001A9 <hex>	
		DATA_UPDTAB SPB8N500	63FD001D <hex>	
		DATA_UPDTAB SPB8N500	4B0001A9 <hex>	
		DATA_UPDTAB SPB8N500	12000001 <hex>	
		DATA_UPDTAB SPB8N500	40000000 <hex>	
		DATA_UPDTAB SPB8N500	63FD0013 <hex>	
		DATA_UPDTAB SPB8N500	4B0001AA <hex>	
		DATA_UPDTAB SPB8N500	12000000 <hex>	
		DATA_UPDTAB SPB8N500	49742400 <hex>	
		DATA_UPDTAB SPB8N500	490101A9 <hex>	
		DATA_UPDTAB SPB8N500	63FD0013 <hex>	
		DATA_UPDTAB SPB8N500	4B0001A8 <hex>	
		DATA_UPDTAB SPB8N500	12000000 <hex>	
		DATA_UPDTAB SPB8N500	0 <hex>	
		DATA_UPDTAB SPB8N500	4B00019D <hex>	
		DATA_UPDTAB SPB8N500	4B00019E <hex>	
		DATA_UPDTAB SPB8N500	4B00019F <hex>	
		DATA_UPDTAB SPB8N500	4B0001A0 <hex>	
		DATA_UPDTAB SPB8N500	4B0001A1 <hex>	
		DATA_UPDTAB SPB8N500	4B0001A2 <hex>	
		DATA_UPDTAB SPB8N500	120000FF <hex>	
		DATA_UPDTAB SPB8N500	1 <hex>	
		DATA_UPDTAB SPB8N500	12000014 <hex>	
		DATA_UPDTAB SPB8N500	2 <hex>	
		DATA_UPDTAB SPB8N500	4B140196 <hex>	
		DATA_UPDTAB SPB8N500	6107FC01 <hex>	
		DATA_UPDTAB SPB8N500	4900019E <hex>	
		DATA_UPDTAB SPB8N500	4B00019F <hex>	
		DATA_UPDTAB SPB8N500	4900019D <hex>	
		DATA_UPDTAB SPB8N500	4B00019E <hex>	
		DATA_UPDTAB SPB8N500	4900019C <hex>	
		TC Control Flags :		
			GBM IL DSE	

		Subsch. ID : 370		
		Det. descr. : UPDATE CONTENTS OF A TABLE		

SPIRE ON, DPU_START - Switch ON the redundant SPIRE units
 File: H_COP_SPI_RSON.xls
 Author: L.Lucas-hp



Step No.	Time	Activity/Remarks	TC/TLM	Display/ Branch
	ET=+00.00.01 UT=+00.00.01	UPDATE_TABLE		
		UPDATE_TABLE	SCB02500	
		Command Parameter(s) :		
		TABLEID_UPDTAB SPB8N500	51 <hex>	
		INDEX_UPDTAB SPB6N500	4C <hex>	
		N_UPDTAB SPB7N500	38 <dec>	
		DATA_UPDTAB SPB8N500	12000001 <hex>	
		DATA_UPDTAB SPB8N500	BB8 <hex>	
		DATA_UPDTAB SPB8N500	13000001 <hex>	
		DATA_UPDTAB SPB8N500	7D0 <hex>	
		DATA_UPDTAB SPB8N500	13000001 <hex>	
		DATA_UPDTAB SPB8N500	7D0 <hex>	
		DATA_UPDTAB SPB8N500	49020199 <hex>	
		DATA_UPDTAB SPB8N500	22020201 <hex>	
		DATA_UPDTAB SPB8N500	4000016E <hex>	
		DATA_UPDTAB SPB8N500	9000002 <hex>	
		DATA_UPDTAB SPB8N500	2000000 <hex>	
		DATA_UPDTAB SPB8N500	3200FFF4 <hex>	
		DATA_UPDTAB SPB8N500	20000001 <hex>	
		DATA_UPDTAB SPB8N500	63FD001D <hex>	
		DATA_UPDTAB SPB8N500	20140000 <hex>	
		DATA_UPDTAB SPB8N500	490001AE <hex>	
		DATA_UPDTAB SPB8N500	490101AE <hex>	
		DATA_UPDTAB SPB8N500	63FD0012 <hex>	
		DATA_UPDTAB SPB8N500	490101BE <hex>	
		DATA_UPDTAB SPB8N500	63FD0012 <hex>	
		DATA_UPDTAB SPB8N500	20010014 <hex>	
		DATA_UPDTAB SPB8N500	63FD0010 <hex>	
		DATA_UPDTAB SPB8N500	4B00019D <hex>	
		DATA_UPDTAB SPB8N500	490001A1 <hex>	
		DATA_UPDTAB SPB8N500	4B0001A2 <hex>	
		DATA_UPDTAB SPB8N500	490001A0 <hex>	
		DATA_UPDTAB SPB8N500	4B0001A1 <hex>	
		DATA_UPDTAB SPB8N500	12000000 <hex>	
		DATA_UPDTAB SPB8N500	40000000 <hex>	
		DATA_UPDTAB SPB8N500	4901019E <hex>	
		DATA_UPDTAB SPB8N500	63FD0012 <hex>	
		DATA_UPDTAB SPB8N500	4901019D <hex>	
		DATA_UPDTAB SPB8N500	63FD0010 <hex>	
		DATA_UPDTAB SPB8N500	4901019F <hex>	
		DATA_UPDTAB SPB8N500	63FD0010 <hex>	
		DATA_UPDTAB SPB8N500	4B0001A0 <hex>	
		DATA_UPDTAB SPB8N500	490001A1 <hex>	
		DATA_UPDTAB SPB8N500	490101AC <hex>	
		TC Control Flags :		
			GBM IL DSE	

		Subsch. ID : 370		
		Det. descr. : UPDATE CONTENTS OF A TABLE		

SPIRE ON, DPU_START - Switch ON the redundant SPIRE units
 File: H_COP_SPI_RSON.xls
 Author: L.Lucas-hp



Step No.	Time	Activity/Remarks	TC/TLM	Display/ Branch
	ET+=00.00.01 UT+=00.00.01	UPDATE_TABLE		
		UPDATE_TABLE	SCB02500	
		Command Parameter(s) :		
		TABLEID_UPDTAB SPB8N500	51 <hex>	
		INDEX_UPDTAB SPB6N500	72 <hex>	
		N_UPDTAB SPB7N500	38 <dec>	
		DATA_UPDTAB SPB8N500	63FD0012 <hex>	
		DATA_UPDTAB SPB8N500	490101A0 <hex>	
		DATA_UPDTAB SPB8N500	63FD0010 <hex>	
		DATA_UPDTAB SPB8N500	4B0001A0 <hex>	
		DATA_UPDTAB SPB8N500	490001A2 <hex>	
		DATA_UPDTAB SPB8N500	490101AD <hex>	
		DATA_UPDTAB SPB8N500	63FD0012 <hex>	
		DATA_UPDTAB SPB8N500	490101A0 <hex>	
		DATA_UPDTAB SPB8N500	63FD0010 <hex>	
		DATA_UPDTAB SPB8N500	4B0001A0 <hex>	
		DATA_UPDTAB SPB8N500	1100000E <hex>	
		DATA_UPDTAB SPB8N500	320EFFCA <hex>	
		DATA_UPDTAB SPB8N500	1200000E <hex>	
		DATA_UPDTAB SPB8N500	1 <hex>	
		DATA_UPDTAB SPB8N500	120000FF <hex>	
		DATA_UPDTAB SPB8N500	1 <hex>	
		DATA_UPDTAB SPB8N500	12000014 <hex>	
		DATA_UPDTAB SPB8N500	3 <hex>	
		DATA_UPDTAB SPB8N500	4B140196 <hex>	
		DATA_UPDTAB SPB8N500	6107FC01 <hex>	
		DATA_UPDTAB SPB8N500	490001B4 <hex>	
		DATA_UPDTAB SPB8N500	12000001 <hex>	
		DATA_UPDTAB SPB8N500	BF800000 <hex>	
		DATA_UPDTAB SPB8N500	63FD0012 <hex>	
		DATA_UPDTAB SPB8N500	4B0001B5 <hex>	
		DATA_UPDTAB SPB8N500	490001A0 <hex>	
		DATA_UPDTAB SPB8N500	490101AB <hex>	
		DATA_UPDTAB SPB8N500	63FD0013 <hex>	
		DATA_UPDTAB SPB8N500	20010000 <hex>	
		DATA_UPDTAB SPB8N500	4900019A <hex>	
		DATA_UPDTAB SPB8N500	63FD0011 <hex>	
		DATA_UPDTAB SPB8N500	4B0001B4 <hex>	
		DATA_UPDTAB SPB8N500	490101A3 <hex>	
		DATA_UPDTAB SPB8N500	63FD0012 <hex>	
		DATA_UPDTAB SPB8N500	4B0001B7 <hex>	
		DATA_UPDTAB SPB8N500	490001B4 <hex>	
		DATA_UPDTAB SPB8N500	490101A8 <hex>	
		DATA_UPDTAB SPB8N500	63FD0013 <hex>	
		TC Control Flags :		
			GBM IL DSE	

		Subsch. ID : 370		
		Det. descr. : UPDATE CONTENTS OF A TABLE		

SPIRE ON, DPU_START - Switch ON the redundant SPIRE units
 File: H_COP_SPI_RSON.xls
 Author: L.Lucas-hp



Step No.	Time	Activity/Remarks	TC/TLM	Display/ Branch
	ET+=00.00.01 UT+=00.00.01	UPDATE_TABLE		
		UPDATE_TABLE	SCB02500	
		Command Parameter(s) :		
		TABLEID_UPDTAB SPB5N500	51 <hex>	
		INDEX_UPDTAB SPB6N500	98 <hex>	
		N_UPDTAB SPB7N500	38 <dec>	
		DATA_UPDTAB SPB8N500	490101B6 <hex>	
		DATA_UPDTAB SPB8N500	63FD0010 <hex>	
		DATA_UPDTAB SPB8N500	4B0001B6 <hex>	
		DATA_UPDTAB SPB8N500	490101A6 <hex>	
		DATA_UPDTAB SPB8N500	63FD0011 <hex>	
		DATA_UPDTAB SPB8N500	18000000 <hex>	
		DATA_UPDTAB SPB8N500	80000000 <hex>	
		DATA_UPDTAB SPB8N500	32000003 <hex>	
		DATA_UPDTAB SPB8N500	490001A6 <hex>	
		DATA_UPDTAB SPB8N500	4B0001B6 <hex>	
		DATA_UPDTAB SPB8N500	490101B6 <hex>	
		DATA_UPDTAB SPB8N500	490001A7 <hex>	
		DATA_UPDTAB SPB8N500	63FD0011 <hex>	
		DATA_UPDTAB SPB8N500	18000000 <hex>	
		DATA_UPDTAB SPB8N500	80000000 <hex>	
		DATA_UPDTAB SPB8N500	32000003 <hex>	
		DATA_UPDTAB SPB8N500	490001A7 <hex>	
		DATA_UPDTAB SPB8N500	4B0001B6 <hex>	
		DATA_UPDTAB SPB8N500	490001B6 <hex>	
		DATA_UPDTAB SPB8N500	490101A4 <hex>	
		DATA_UPDTAB SPB8N500	63FD0012 <hex>	
		DATA_UPDTAB SPB8N500	4B0001B8 <hex>	
		DATA_UPDTAB SPB8N500	490001B4 <hex>	
		DATA_UPDTAB SPB8N500	490101B5 <hex>	
		DATA_UPDTAB SPB8N500	63FD0010 <hex>	
		DATA_UPDTAB SPB8N500	490101A8 <hex>	
		DATA_UPDTAB SPB8N500	63FD0012 <hex>	
		DATA_UPDTAB SPB8N500	490101A5 <hex>	
		DATA_UPDTAB SPB8N500	63FD0012 <hex>	
		DATA_UPDTAB SPB8N500	4B0001B9 <hex>	
		DATA_UPDTAB SPB8N500	490001B7 <hex>	
		DATA_UPDTAB SPB8N500	490101B8 <hex>	
		DATA_UPDTAB SPB8N500	63FD0010 <hex>	
		DATA_UPDTAB SPB8N500	490101B9 <hex>	
		DATA_UPDTAB SPB8N500	63FD0010 <hex>	
		DATA_UPDTAB SPB8N500	490101BB <hex>	
		DATA_UPDTAB SPB8N500	63FD0010 <hex>	
		DATA_UPDTAB SPB8N500	4B0001AE <hex>	
		TC Control Flags :		
			GBM IL DSE	

		Subsch. ID : 370		
		Det. descr. : UPDATE CONTENTS OF A TABLE		

SPIRE ON, DPU_START - Switch ON the redundant SPIRE units
 File: H_COP_SPI_RSON.xls
 Author: L.Lucas-hp



Step No.	Time	Activity/Remarks	TC/TLM	Display/ Branch
	ET=+00.00.01 UT=+00.00.01	UPDATE_TABLE		
		UPDATE_TABLE	SCB02500	
		Command Parameter(s) :		
		TABLEID_UPDTAB SPB8N500	51 <hex>	
		INDEX_UPDTAB SPB6N500	BE <hex>	
		N_UPDTAB SPB7N500	38 <dec>	
		DATA_UPDTAB SPB8N500	63FD001C <hex>	
		DATA_UPDTAB SPB8N500	4B0001B1 <hex>	
		DATA_UPDTAB SPB8N500	63FD001D <hex>	
		DATA_UPDTAB SPB8N500	20010000 <hex>	
		DATA_UPDTAB SPB8N500	490001AE <hex>	
		DATA_UPDTAB SPB8N500	63FD0011 <hex>	
		DATA_UPDTAB SPB8N500	4B0001AF <hex>	
		DATA_UPDTAB SPB8N500	490001BC <hex>	
		DATA_UPDTAB SPB8N500	32000010 <hex>	
		DATA_UPDTAB SPB8N500	490001AF <hex>	
		DATA_UPDTAB SPB8N500	12000001 <hex>	
		DATA_UPDTAB SPB8N500	3F000000 <hex>	
		DATA_UPDTAB SPB8N500	63FD0011 <hex>	
		DATA_UPDTAB SPB8N500	18000000 <hex>	
		DATA_UPDTAB SPB8N500	80000000 <hex>	
		DATA_UPDTAB SPB8N500	490101B1 <hex>	
		DATA_UPDTAB SPB8N500	32000002 <hex>	
		DATA_UPDTAB SPB8N500	10000001 <hex>	
		DATA_UPDTAB SPB8N500	4B0101B1 <hex>	
		DATA_UPDTAB SPB8N500	4B0101B0 <hex>	
		DATA_UPDTAB SPB8N500	490001AA <hex>	
		DATA_UPDTAB SPB8N500	4B0001B3 <hex>	
		DATA_UPDTAB SPB8N500	4B0001B2 <hex>	
		DATA_UPDTAB SPB8N500	3000003A <hex>	
		DATA_UPDTAB SPB8N500	490001AF <hex>	
		DATA_UPDTAB SPB8N500	12000001 <hex>	
		DATA_UPDTAB SPB8N500	3E800000 <hex>	
		DATA_UPDTAB SPB8N500	63FD0011 <hex>	
		DATA_UPDTAB SPB8N500	18000000 <hex>	
		DATA_UPDTAB SPB8N500	80000000 <hex>	
		DATA_UPDTAB SPB8N500	32000014 <hex>	
		DATA_UPDTAB SPB8N500	490101AF <hex>	
		DATA_UPDTAB SPB8N500	12000000 <hex>	
		DATA_UPDTAB SPB8N500	3F400000 <hex>	
		DATA_UPDTAB SPB8N500	63FD0011 <hex>	
		DATA_UPDTAB SPB8N500	18000000 <hex>	
		DATA_UPDTAB SPB8N500	80000000 <hex>	
		DATA_UPDTAB SPB8N500	32000020 <hex>	
		TC Control Flags :		
			GBM IL DSE	

		Subsch. ID : 370		
		Det. descr. : UPDATE CONTENTS OF A TABLE		

SPIRE ON, DPU_START - Switch ON the redundant SPIRE units
 File: H_COP_SPI_RSON.xls
 Author: L.Lucas-hp



Step No.	Time	Activity/Remarks	TC/TLM	Display/ Branch
	ET=+00.00.01 UT=+00.00.01	UPDATE_TABLE		
		UPDATE_TABLE	SCB02500	
		Command Parameter(s) :		
		TABLEID_UPDTAB SPB8N500	51 <hex>	
		INDEX_UPDTAB SPB8N500	E4 <hex>	
		N_UPDTAB SPB8N500	38 <dec>	
		DATA_UPDTAB SPB8N500	490001B1 <hex>	
		DATA_UPDTAB SPB8N500	10000000 <hex>	
		DATA_UPDTAB SPB8N500	4B0001B0 <hex>	
		DATA_UPDTAB SPB8N500	490001AF <hex>	
		DATA_UPDTAB SPB8N500	490101A9 <hex>	
		DATA_UPDTAB SPB8N500	63FD0012 <hex>	
		DATA_UPDTAB SPB8N500	4B0001B2 <hex>	
		DATA_UPDTAB SPB8N500	20010000 <hex>	
		DATA_UPDTAB SPB8N500	490001A9 <hex>	
		DATA_UPDTAB SPB8N500	63FD0011 <hex>	
		DATA_UPDTAB SPB8N500	4B0001B3 <hex>	
		DATA_UPDTAB SPB8N500	30000020 <hex>	
		DATA_UPDTAB SPB8N500	490001B1 <hex>	
		DATA_UPDTAB SPB8N500	10000000 <hex>	
		DATA_UPDTAB SPB8N500	4B0001B0 <hex>	
		DATA_UPDTAB SPB8N500	11000000 <hex>	
		DATA_UPDTAB SPB8N500	11000000 <hex>	
		DATA_UPDTAB SPB8N500	4B0001B1 <hex>	
		DATA_UPDTAB SPB8N500	490001AF <hex>	
		DATA_UPDTAB SPB8N500	12000001 <hex>	
		DATA_UPDTAB SPB8N500	3F800000 <hex>	
		DATA_UPDTAB SPB8N500	63FD0010 <hex>	
		DATA_UPDTAB SPB8N500	4B0001AF <hex>	
		DATA_UPDTAB SPB8N500	490101AA <hex>	
		DATA_UPDTAB SPB8N500	63FD0012 <hex>	
		DATA_UPDTAB SPB8N500	4B0001B2 <hex>	
		DATA_UPDTAB SPB8N500	20010000 <hex>	
		DATA_UPDTAB SPB8N500	490001A9 <hex>	
		DATA_UPDTAB SPB8N500	63FD0011 <hex>	
		DATA_UPDTAB SPB8N500	4B0001B3 <hex>	
		DATA_UPDTAB SPB8N500	3000000D <hex>	
		DATA_UPDTAB SPB8N500	490001B1 <hex>	
		DATA_UPDTAB SPB8N500	10000000 <hex>	
		DATA_UPDTAB SPB8N500	10000000 <hex>	
		DATA_UPDTAB SPB8N500	4B0001B0 <hex>	
		DATA_UPDTAB SPB8N500	490001AF <hex>	
		DATA_UPDTAB SPB8N500	490101AA <hex>	
		DATA_UPDTAB SPB8N500	63FD0012 <hex>	
		TC Control Flags :		
			GBM IL DSE	

		Subsch. ID : 370		
		Det. descr. : UPDATE CONTENTS OF A TABLE		

SPIRE ON, DPU_START - Switch ON the redundant SPIRE units
 File: H_COP_SPI_RSON.xls
 Author: L.Lucas-hp



Step No.	Time	Activity/Remarks	TC/TLM	Display/ Branch
	ET=+00.00.01 UT=+00.00.01	UPDATE_TABLE		
		UPDATE_TABLE	SCB02500	
		Command Parameter(s) :		
		TABLEID_UPDTAB SPB5N500	51 <hex>	
		INDEX_UPDTAB SPB6N500	10A <hex>	
		N_UPDTAB SPB7N500	38 <dec>	
		DATA_UPDTAB SPB8N500	4B0001B2 <hex>	
		DATA_UPDTAB SPB8N500	20010000 <hex>	
		DATA_UPDTAB SPB8N500	490001A9 <hex>	
		DATA_UPDTAB SPB8N500	63FD0011 <hex>	
		DATA_UPDTAB SPB8N500	4B0001B3 <hex>	
		DATA_UPDTAB SPB8N500	490001B1 <hex>	
		DATA_UPDTAB SPB8N500	12000001 <hex>	
		DATA_UPDTAB SPB8N500	0 <hex>	
		DATA_UPDTAB SPB8N500	35000001 <hex>	
		DATA_UPDTAB SPB8N500	30000008 <hex>	
		DATA_UPDTAB SPB8N500	4B0101B1 <hex>	
		DATA_UPDTAB SPB8N500	4B0101B0 <hex>	
		DATA_UPDTAB SPB8N500	490101AA <hex>	
		DATA_UPDTAB SPB8N500	4B0101B3 <hex>	
		DATA_UPDTAB SPB8N500	4B0101B2 <hex>	
		DATA_UPDTAB SPB8N500	4B0101AE <hex>	
		DATA_UPDTAB SPB8N500	3000000D <hex>	
		DATA_UPDTAB SPB8N500	490001B0 <hex>	
		DATA_UPDTAB SPB8N500	490101BA <hex>	
		DATA_UPDTAB SPB8N500	34000001 <hex>	
		DATA_UPDTAB SPB8N500	30000009 <hex>	
		DATA_UPDTAB SPB8N500	4B0101B1 <hex>	
		DATA_UPDTAB SPB8N500	4B0101B0 <hex>	
		DATA_UPDTAB SPB8N500	490101AA <hex>	
		DATA_UPDTAB SPB8N500	4B0101B3 <hex>	
		DATA_UPDTAB SPB8N500	4B0101B2 <hex>	
		DATA_UPDTAB SPB8N500	490001BA <hex>	
		DATA_UPDTAB SPB8N500	63FD001D <hex>	
		DATA_UPDTAB SPB8N500	4B0001AE <hex>	
		DATA_UPDTAB SPB8N500	80007D0 <hex>	
		DATA_UPDTAB SPB8N500	1000001 <hex>	
		DATA_UPDTAB SPB8N500	12000000 <hex>	
		DATA_UPDTAB SPB8N500	2 <hex>	
		DATA_UPDTAB SPB8N500	12000001 <hex>	
		DATA_UPDTAB SPB8N500	C6 <hex>	
		DATA_UPDTAB SPB8N500	490201B1 <hex>	
		DATA_UPDTAB SPB8N500	12000003 <hex>	
		DATA_UPDTAB SPB8N500	BB8 <hex>	
		TC Control Flags :		
			GBM IL DSE	

		Subsch. ID : 370		
		Det. descr. : UPDATE CONTENTS OF A TABLE		

SPIRE ON, DPU_START - Switch ON the redundant SPIRE units
 File: H_COP_SPI_RSON.xls
 Author: L.Lucas-hp



Step No.	Time	Activity/Remarks	TC/TLM	Display/ Branch
	ET=+00.00.01 UT=+00.00.01	UPDATE_TABLE		
		UPDATE_TABLE	SCB02500	
		Command Parameter(s) :		
		TABLEID_UPDTAB SPB8N500	51 <hex>	
		INDEX_UPDTAB SPB6N500	130 <hex>	
		N_UPDTAB SPB7N500	38 <dec>	
		DATA_UPDTAB SPB8N500	60640001 <hex>	
		DATA_UPDTAB SPB8N500	490001B3 <hex>	
		DATA_UPDTAB SPB8N500	63FD001C <hex>	
		DATA_UPDTAB SPB8N500	12000002 <hex>	
		DATA_UPDTAB SPB8N500	7D0 <hex>	
		DATA_UPDTAB SPB8N500	22000002 <hex>	
		DATA_UPDTAB SPB8N500	12000002 <hex>	
		DATA_UPDTAB SPB8N500	7D0 <hex>	
		DATA_UPDTAB SPB8N500	22000002 <hex>	
		DATA_UPDTAB SPB8N500	9000000 <hex>	
		DATA_UPDTAB SPB8N500	1000000 <hex>	
		DATA_UPDTAB SPB8N500	80007D0 <hex>	
		DATA_UPDTAB SPB8N500	1000001 <hex>	
		DATA_UPDTAB SPB8N500	12000000 <hex>	
		DATA_UPDTAB SPB8N500	2 <hex>	
		DATA_UPDTAB SPB8N500	12000001 <hex>	
		DATA_UPDTAB SPB8N500	C6 <hex>	
		DATA_UPDTAB SPB8N500	490201B0 <hex>	
		DATA_UPDTAB SPB8N500	12000003 <hex>	
		DATA_UPDTAB SPB8N500	BB8 <hex>	
		DATA_UPDTAB SPB8N500	60640001 <hex>	
		DATA_UPDTAB SPB8N500	490001B2 <hex>	
		DATA_UPDTAB SPB8N500	63FD001C <hex>	
		DATA_UPDTAB SPB8N500	49010199 <hex>	
		DATA_UPDTAB SPB8N500	22000001 <hex>	
		DATA_UPDTAB SPB8N500	12000001 <hex>	
		DATA_UPDTAB SPB8N500	7D0 <hex>	
		DATA_UPDTAB SPB8N500	22000001 <hex>	
		DATA_UPDTAB SPB8N500	12000001 <hex>	
		DATA_UPDTAB SPB8N500	7D0 <hex>	
		DATA_UPDTAB SPB8N500	22000001 <hex>	
		DATA_UPDTAB SPB8N500	9000000 <hex>	
		DATA_UPDTAB SPB8N500	1000000 <hex>	
		DATA_UPDTAB SPB8N500	490001BD <hex>	
		DATA_UPDTAB SPB8N500	32000002 <hex>	
		DATA_UPDTAB SPB8N500	30000015 <hex>	
		DATA_UPDTAB SPB8N500	49FF0197 <hex>	
		DATA_UPDTAB SPB8N500	12000000 <hex>	
		TC Control Flags :		
			GBM IL DSE	

		Subsch. ID : 370		
		Det. descr. : UPDATE CONTENTS OF A TABLE		

SPIRE ON, DPU_START - Switch ON the redundant SPIRE units
 File: H_COP_SPI_RSON.xls
 Author: L.Lucas-hp



Step No.	Time	Activity/Remarks	TC/TLM	Display/ Branch
	ET=+00.00.01 UT=+00.00.01	UPDATE_TABLE		
		UPDATE_TABLE	SCB02500	
		Command Parameter(s) :		
		TABLEID_UPDTAB	SPB5N500	51 <hex>
		INDEX_UPDTAB	SPB6N500	156 <hex>
		N_UPDTAB	SPB7N500	38 <dec>
		DATA_UPDTAB	SPB8N500	197 <hex>
		DATA_UPDTAB	SPB8N500	61520029 <hex>
		DATA_UPDTAB	SPB8N500	49000197 <hex>
		DATA_UPDTAB	SPB8N500	13000000 <hex>
		DATA_UPDTAB	SPB8N500	29 <hex>
		DATA_UPDTAB	SPB8N500	4B000197 <hex>
		DATA_UPDTAB	SPB8N500	1100000D <hex>
		DATA_UPDTAB	SPB8N500	320D000B <hex>
		DATA_UPDTAB	SPB8N500	120000FF <hex>
		DATA_UPDTAB	SPB8N500	0 <hex>
		DATA_UPDTAB	SPB8N500	12000000 <hex>
		DATA_UPDTAB	SPB8N500	197 <hex>
		DATA_UPDTAB	SPB8N500	61520001 <hex>
		DATA_UPDTAB	SPB8N500	54000052 <hex>
		DATA_UPDTAB	SPB8N500	490D01BD <hex>
		DATA_UPDTAB	SPB8N500	12000000 <hex>
		DATA_UPDTAB	SPB8N500	0 <hex>
		DATA_UPDTAB	SPB8N500	4B000197 <hex>
		DATA_UPDTAB	SPB8N500	30FFFEDF <hex>
		DATA_UPDTAB	SPB8N500	12000000 <hex>
		DATA_UPDTAB	SPB8N500	7100 <hex>
		DATA_UPDTAB	SPB8N500	53010000 <hex>
		DATA_UPDTAB	SPB8N500	2000000 <hex>
		DATA_UPDTAB	SPB8N500	7F000000 <hex>
		DATA_UPDTAB	SPB8N500	1200005A <hex>
		DATA_UPDTAB	SPB8N500	7D0 <hex>
		DATA_UPDTAB	SPB8N500	2201015A <hex>
		DATA_UPDTAB	SPB8N500	1200005A <hex>
		DATA_UPDTAB	SPB8N500	7D0 <hex>
		DATA_UPDTAB	SPB8N500	2201015A <hex>
		DATA_UPDTAB	SPB8N500	80007D0 <hex>
		DATA_UPDTAB	SPB8N500	1000001 <hex>
		DATA_UPDTAB	SPB8N500	205A0000 <hex>
		DATA_UPDTAB	SPB8N500	1800005A <hex>
		DATA_UPDTAB	SPB8N500	80000000 <hex>
		DATA_UPDTAB	SPB8N500	325A0016 <hex>
		DATA_UPDTAB	SPB8N500	120000FF <hex>
		DATA_UPDTAB	SPB8N500	20 <hex>
		TC Control Flags :		
			GBM IL DSE	

		Subsch. ID : 370		
		Det. descr. : UPDATE CONTENTS OF A TABLE		

SPIRE ON, DPU_START - Switch ON the redundant SPIRE units
 File: H_COP_SPI_RSON.xls
 Author: L.Lucas-hp



Step No.	Time	Activity/Remarks	TC/TLM	Display/ Branch																																																																																																																																	
		TC Control Flags : <p style="text-align: right;">GBM IL DSE --- -- ---</p> Subsch. ID : 370 Det. descr. : UPDATE CONTENTS OF A TABLE																																																																																																																																			
	ET=+00.00.01 UT=+00.00.01	UPDATE_TABLE <p style="text-align: right;">UPDATE_TABLE</p> Command Parameter(s) : <table style="width: 100%; border-collapse: collapse;"> <tr><td style="text-align: right;">TABLEID_UPDTAB</td><td style="text-align: right;">SPB5N500</td><td style="text-align: right;">53 <hex></td></tr> <tr><td style="text-align: right;">INDEX_UPDTAB</td><td style="text-align: right;">SPB6N500</td><td style="text-align: right;">26 <hex></td></tr> <tr><td style="text-align: right;">N_UPDTAB</td><td style="text-align: right;">SPB7N500</td><td style="text-align: right;">38 <dec></td></tr> <tr><td style="text-align: right;">DATA_UPDTAB</td><td style="text-align: right;">SPB8N500</td><td style="text-align: right;">0 <hex></td></tr> <tr><td style="text-align: right;">DATA_UPDTAB</td><td style="text-align: right;">SPB8N500</td><td style="text-align: right;">120000FC <hex></td></tr> <tr><td style="text-align: right;">DATA_UPDTAB</td><td style="text-align: right;">SPB8N500</td><td style="text-align: right;">17F <hex></td></tr> <tr><td style="text-align: right;">DATA_UPDTAB</td><td style="text-align: right;">SPB8N500</td><td style="text-align: right;">12000000 <hex></td></tr> <tr><td style="text-align: right;">DATA_UPDTAB</td><td style="text-align: right;">SPB8N500</td><td style="text-align: right;">501 <hex></td></tr> <tr><td style="text-align: right;">DATA_UPDTAB</td><td style="text-align: right;">SPB8N500</td><td style="text-align: right;">12000001 <hex></td></tr> <tr><td style="text-align: right;">DATA_UPDTAB</td><td style="text-align: right;">SPB8N500</td><td style="text-align: right;">1 <hex></td></tr> <tr><td style="text-align: right;">DATA_UPDTAB</td><td style="text-align: right;">SPB8N500</td><td style="text-align: right;">4B01017F <hex></td></tr> <tr><td colspan="3"> </td></tr> <tr><td style="text-align: right;">DATA_UPDTAB</td><td style="text-align: right;">SPB8N500</td><td style="text-align: right;">6107FC01 <hex></td></tr> <tr><td style="text-align: right;">DATA_UPDTAB</td><td style="text-align: right;">SPB8N500</td><td style="text-align: right;">53020000 <hex></td></tr> <tr><td style="text-align: right;">DATA_UPDTAB</td><td style="text-align: right;">SPB8N500</td><td style="text-align: right;">2000000 <hex></td></tr> <tr><td style="text-align: right;">DATA_UPDTAB</td><td style="text-align: right;">SPB8N500</td><td style="text-align: right;">49000180 <hex></td></tr> <tr><td style="text-align: right;">DATA_UPDTAB</td><td style="text-align: right;">SPB8N500</td><td style="text-align: right;">40000139 <hex></td></tr> <tr><td style="text-align: right;">DATA_UPDTAB</td><td style="text-align: right;">SPB8N500</td><td style="text-align: right;">49000181 <hex></td></tr> <tr><td style="text-align: right;">DATA_UPDTAB</td><td style="text-align: right;">SPB8N500</td><td style="text-align: right;">4000012C <hex></td></tr> <tr><td style="text-align: right;">DATA_UPDTAB</td><td style="text-align: right;">SPB8N500</td><td style="text-align: right;">490C018F <hex></td></tr> <tr><td style="text-align: right;">DATA_UPDTAB</td><td style="text-align: right;">SPB8N500</td><td style="text-align: right;">40000154 <hex></td></tr> <tr><td style="text-align: right;">DATA_UPDTAB</td><td style="text-align: right;">SPB8N500</td><td style="text-align: right;">32000004 <hex></td></tr> <tr><td style="text-align: right;">DATA_UPDTAB</td><td style="text-align: right;">SPB8N500</td><td style="text-align: right;">49000182 <hex></td></tr> <tr><td style="text-align: right;">DATA_UPDTAB</td><td style="text-align: right;">SPB8N500</td><td style="text-align: right;">35010000 <hex></td></tr> <tr><td style="text-align: right;">DATA_UPDTAB</td><td style="text-align: right;">SPB8N500</td><td style="text-align: right;">3000000D <hex></td></tr> <tr><td style="text-align: right;">DATA_UPDTAB</td><td style="text-align: right;">SPB8N500</td><td style="text-align: right;">900000A <hex></td></tr> <tr><td style="text-align: right;">DATA_UPDTAB</td><td style="text-align: right;">SPB8N500</td><td style="text-align: right;">2000000 <hex></td></tr> <tr><td colspan="3"> </td></tr> <tr><td style="text-align: right;">DATA_UPDTAB</td><td style="text-align: right;">SPB8N500</td><td style="text-align: right;">12000000 <hex></td></tr> <tr><td style="text-align: right;">DATA_UPDTAB</td><td style="text-align: right;">SPB8N500</td><td style="text-align: right;">0 <hex></td></tr> <tr><td style="text-align: right;">DATA_UPDTAB</td><td style="text-align: right;">SPB8N500</td><td style="text-align: right;">4901018E <hex></td></tr> <tr><td style="text-align: right;">DATA_UPDTAB</td><td style="text-align: right;">SPB8N500</td><td style="text-align: right;">220C0C01 <hex></td></tr> <tr><td style="text-align: right;">DATA_UPDTAB</td><td style="text-align: right;">SPB8N500</td><td style="text-align: right;">340C0000 <hex></td></tr> <tr><td style="text-align: right;">DATA_UPDTAB</td><td style="text-align: right;">SPB8N500</td><td style="text-align: right;">300000D2 <hex></td></tr> <tr><td style="text-align: right;">DATA_UPDTAB</td><td style="text-align: right;">SPB8N500</td><td style="text-align: right;">220B0B01 <hex></td></tr> <tr><td style="text-align: right;">DATA_UPDTAB</td><td style="text-align: right;">SPB8N500</td><td style="text-align: right;">340B0000 <hex></td></tr> <tr><td style="text-align: right;">DATA_UPDTAB</td><td style="text-align: right;">SPB8N500</td><td style="text-align: right;">300000CA <hex></td></tr> <tr><td style="text-align: right;">DATA_UPDTAB</td><td style="text-align: right;">SPB8N500</td><td style="text-align: right;">30FFFFFF0 <hex></td></tr> <tr><td style="text-align: right;">DATA_UPDTAB</td><td style="text-align: right;">SPB8N500</td><td style="text-align: right;">12000000 <hex></td></tr> <tr><td style="text-align: right;">DATA_UPDTAB</td><td style="text-align: right;">SPB8N500</td><td style="text-align: right;">501 <hex></td></tr> <tr><td style="text-align: right;">DATA_UPDTAB</td><td style="text-align: right;">SPB8N500</td><td style="text-align: right;">12000001 <hex></td></tr> <tr><td style="text-align: right;">DATA_UPDTAB</td><td style="text-align: right;">SPB8N500</td><td style="text-align: right;">2 <hex></td></tr> <tr><td style="text-align: right;">DATA_UPDTAB</td><td style="text-align: right;">SPB8N500</td><td style="text-align: right;">4B01017F <hex></td></tr> </table>	TABLEID_UPDTAB	SPB5N500	53 <hex>	INDEX_UPDTAB	SPB6N500	26 <hex>	N_UPDTAB	SPB7N500	38 <dec>	DATA_UPDTAB	SPB8N500	0 <hex>	DATA_UPDTAB	SPB8N500	120000FC <hex>	DATA_UPDTAB	SPB8N500	17F <hex>	DATA_UPDTAB	SPB8N500	12000000 <hex>	DATA_UPDTAB	SPB8N500	501 <hex>	DATA_UPDTAB	SPB8N500	12000001 <hex>	DATA_UPDTAB	SPB8N500	1 <hex>	DATA_UPDTAB	SPB8N500	4B01017F <hex>				DATA_UPDTAB	SPB8N500	6107FC01 <hex>	DATA_UPDTAB	SPB8N500	53020000 <hex>	DATA_UPDTAB	SPB8N500	2000000 <hex>	DATA_UPDTAB	SPB8N500	49000180 <hex>	DATA_UPDTAB	SPB8N500	40000139 <hex>	DATA_UPDTAB	SPB8N500	49000181 <hex>	DATA_UPDTAB	SPB8N500	4000012C <hex>	DATA_UPDTAB	SPB8N500	490C018F <hex>	DATA_UPDTAB	SPB8N500	40000154 <hex>	DATA_UPDTAB	SPB8N500	32000004 <hex>	DATA_UPDTAB	SPB8N500	49000182 <hex>	DATA_UPDTAB	SPB8N500	35010000 <hex>	DATA_UPDTAB	SPB8N500	3000000D <hex>	DATA_UPDTAB	SPB8N500	900000A <hex>	DATA_UPDTAB	SPB8N500	2000000 <hex>				DATA_UPDTAB	SPB8N500	12000000 <hex>	DATA_UPDTAB	SPB8N500	0 <hex>	DATA_UPDTAB	SPB8N500	4901018E <hex>	DATA_UPDTAB	SPB8N500	220C0C01 <hex>	DATA_UPDTAB	SPB8N500	340C0000 <hex>	DATA_UPDTAB	SPB8N500	300000D2 <hex>	DATA_UPDTAB	SPB8N500	220B0B01 <hex>	DATA_UPDTAB	SPB8N500	340B0000 <hex>	DATA_UPDTAB	SPB8N500	300000CA <hex>	DATA_UPDTAB	SPB8N500	30FFFFFF0 <hex>	DATA_UPDTAB	SPB8N500	12000000 <hex>	DATA_UPDTAB	SPB8N500	501 <hex>	DATA_UPDTAB	SPB8N500	12000001 <hex>	DATA_UPDTAB	SPB8N500	2 <hex>	DATA_UPDTAB	SPB8N500	4B01017F <hex>	SCB02500	
TABLEID_UPDTAB	SPB5N500	53 <hex>																																																																																																																																			
INDEX_UPDTAB	SPB6N500	26 <hex>																																																																																																																																			
N_UPDTAB	SPB7N500	38 <dec>																																																																																																																																			
DATA_UPDTAB	SPB8N500	0 <hex>																																																																																																																																			
DATA_UPDTAB	SPB8N500	120000FC <hex>																																																																																																																																			
DATA_UPDTAB	SPB8N500	17F <hex>																																																																																																																																			
DATA_UPDTAB	SPB8N500	12000000 <hex>																																																																																																																																			
DATA_UPDTAB	SPB8N500	501 <hex>																																																																																																																																			
DATA_UPDTAB	SPB8N500	12000001 <hex>																																																																																																																																			
DATA_UPDTAB	SPB8N500	1 <hex>																																																																																																																																			
DATA_UPDTAB	SPB8N500	4B01017F <hex>																																																																																																																																			
DATA_UPDTAB	SPB8N500	6107FC01 <hex>																																																																																																																																			
DATA_UPDTAB	SPB8N500	53020000 <hex>																																																																																																																																			
DATA_UPDTAB	SPB8N500	2000000 <hex>																																																																																																																																			
DATA_UPDTAB	SPB8N500	49000180 <hex>																																																																																																																																			
DATA_UPDTAB	SPB8N500	40000139 <hex>																																																																																																																																			
DATA_UPDTAB	SPB8N500	49000181 <hex>																																																																																																																																			
DATA_UPDTAB	SPB8N500	4000012C <hex>																																																																																																																																			
DATA_UPDTAB	SPB8N500	490C018F <hex>																																																																																																																																			
DATA_UPDTAB	SPB8N500	40000154 <hex>																																																																																																																																			
DATA_UPDTAB	SPB8N500	32000004 <hex>																																																																																																																																			
DATA_UPDTAB	SPB8N500	49000182 <hex>																																																																																																																																			
DATA_UPDTAB	SPB8N500	35010000 <hex>																																																																																																																																			
DATA_UPDTAB	SPB8N500	3000000D <hex>																																																																																																																																			
DATA_UPDTAB	SPB8N500	900000A <hex>																																																																																																																																			
DATA_UPDTAB	SPB8N500	2000000 <hex>																																																																																																																																			
DATA_UPDTAB	SPB8N500	12000000 <hex>																																																																																																																																			
DATA_UPDTAB	SPB8N500	0 <hex>																																																																																																																																			
DATA_UPDTAB	SPB8N500	4901018E <hex>																																																																																																																																			
DATA_UPDTAB	SPB8N500	220C0C01 <hex>																																																																																																																																			
DATA_UPDTAB	SPB8N500	340C0000 <hex>																																																																																																																																			
DATA_UPDTAB	SPB8N500	300000D2 <hex>																																																																																																																																			
DATA_UPDTAB	SPB8N500	220B0B01 <hex>																																																																																																																																			
DATA_UPDTAB	SPB8N500	340B0000 <hex>																																																																																																																																			
DATA_UPDTAB	SPB8N500	300000CA <hex>																																																																																																																																			
DATA_UPDTAB	SPB8N500	30FFFFFF0 <hex>																																																																																																																																			
DATA_UPDTAB	SPB8N500	12000000 <hex>																																																																																																																																			
DATA_UPDTAB	SPB8N500	501 <hex>																																																																																																																																			
DATA_UPDTAB	SPB8N500	12000001 <hex>																																																																																																																																			
DATA_UPDTAB	SPB8N500	2 <hex>																																																																																																																																			
DATA_UPDTAB	SPB8N500	4B01017F <hex>																																																																																																																																			
		TC Control Flags : <p style="text-align: right;">GBM IL DSE --- -- ---</p> Subsch. ID : 370 Det. descr. : UPDATE CONTENTS OF A TABLE																																																																																																																																			

SPIRE ON, DPU_START - Switch ON the redundant SPIRE units
 File: H_COP_SPI_RSON.xls
 Author: L.Lucas-hp



Step No.	Time	Activity/Remarks	TC/TLM	Display/ Branch
	ET=+00.00.01 UT=+00.00.01	UPDATE_TABLE		
		UPDATE_TABLE	SCB02500	
		Command Parameter(s) :		
		TABLEID_UPDTAB SPB5N500	53 <hex>	
		INDEX_UPDTAB SPB6N500	4C <hex>	
		N_UPDTAB SPB7N500	38 <dec>	
		DATA_UPDTAB SPB8N500	6107FC01 <hex>	
		DATA_UPDTAB SPB8N500	53020000 <hex>	
		DATA_UPDTAB SPB8N500	2000000 <hex>	
		DATA_UPDTAB SPB8N500	49000183 <hex>	
		DATA_UPDTAB SPB8N500	4000011F <hex>	
		DATA_UPDTAB SPB8N500	490C0190 <hex>	
		DATA_UPDTAB SPB8N500	40000146 <hex>	
		DATA_UPDTAB SPB8N500	32000004 <hex>	
		DATA_UPDTAB SPB8N500	49000184 <hex>	
		DATA_UPDTAB SPB8N500	34010000 <hex>	
		DATA_UPDTAB SPB8N500	3000000D <hex>	
		DATA_UPDTAB SPB8N500	900000A <hex>	
		DATA_UPDTAB SPB8N500	2000000 <hex>	
		DATA_UPDTAB SPB8N500	12000000 <hex>	
		DATA_UPDTAB SPB8N500	0 <hex>	
		DATA_UPDTAB SPB8N500	4901018E <hex>	
		DATA_UPDTAB SPB8N500	220C0C01 <hex>	
		DATA_UPDTAB SPB8N500	340C0000 <hex>	
		DATA_UPDTAB SPB8N500	300000B6 <hex>	
		DATA_UPDTAB SPB8N500	220B0B01 <hex>	
		DATA_UPDTAB SPB8N500	340B0000 <hex>	
		DATA_UPDTAB SPB8N500	300000AE <hex>	
		DATA_UPDTAB SPB8N500	30FFFFFF0 <hex>	
		DATA_UPDTAB SPB8N500	12000000 <hex>	
		DATA_UPDTAB SPB8N500	501 <hex>	
		DATA_UPDTAB SPB8N500	12000001 <hex>	
		DATA_UPDTAB SPB8N500	3 <hex>	
		DATA_UPDTAB SPB8N500	4B01017F <hex>	
		DATA_UPDTAB SPB8N500	6107FC01 <hex>	
		DATA_UPDTAB SPB8N500	53020000 <hex>	
		DATA_UPDTAB SPB8N500	2000000 <hex>	
		DATA_UPDTAB SPB8N500	49000185 <hex>	
		DATA_UPDTAB SPB8N500	4000011F <hex>	
		DATA_UPDTAB SPB8N500	490C0191 <hex>	
		DATA_UPDTAB SPB8N500	40000146 <hex>	
		DATA_UPDTAB SPB8N500	32000004 <hex>	
		DATA_UPDTAB SPB8N500	49000186 <hex>	
		DATA_UPDTAB SPB8N500	34010000 <hex>	
		TC Control Flags :		
			GBM IL DSE	

		Subsch. ID : 370		
		Det. descr. : UPDATE CONTENTS OF A TABLE		

SPIRE ON, DPU_START - Switch ON the redundant SPIRE units
 File: H_COP_SPI_RSON.xls
 Author: L.Lucas-hp



Step No.	Time	Activity/Remarks	TC/TLM	Display/ Branch
	ET=+00.00.01 UT=+00.00.01	UPDATE_TABLE UPDATE_TABLE	SCB02500	
		Command Parameter(s) :		
		TABLEID_UPDTAB SPB5N500	53 <hex>	
		INDEX_UPDTAB SPB6N500	72 <hex>	
		N_UPDTAB SPB7N500	38 <dec>	
		DATA_UPDTAB SPB8N500	30000011 <hex>	
		DATA_UPDTAB SPB8N500	9000000A <hex>	
		DATA_UPDTAB SPB8N500	2000000 <hex>	
		DATA_UPDTAB SPB8N500	12000000 <hex>	
		DATA_UPDTAB SPB8N500	0 <hex>	
		DATA_UPDTAB SPB8N500	4901018E <hex>	
		DATA_UPDTAB SPB8N500	220C0C01 <hex>	
		DATA_UPDTAB SPB8N500	340C0000 <hex>	
		DATA_UPDTAB SPB8N500	30000005 <hex>	
		DATA_UPDTAB SPB8N500	220B0B01 <hex>	
		DATA_UPDTAB SPB8N500	340B0000 <hex>	
		DATA_UPDTAB SPB8N500	30000092 <hex>	
		DATA_UPDTAB SPB8N500	30FFFFFF0 <hex>	
		DATA_UPDTAB SPB8N500	12000000 <hex>	
		DATA_UPDTAB SPB8N500	7025 <hex>	
		DATA_UPDTAB SPB8N500	53010000 <hex>	
		DATA_UPDTAB SPB8N500	2000000 <hex>	
		DATA_UPDTAB SPB8N500	12000000 <hex>	
		DATA_UPDTAB SPB8N500	501 <hex>	
		DATA_UPDTAB SPB8N500	12000001 <hex>	
		DATA_UPDTAB SPB8N500	4 <hex>	
		DATA_UPDTAB SPB8N500	4B01017F <hex>	
		DATA_UPDTAB SPB8N500	6107FC01 <hex>	
		DATA_UPDTAB SPB8N500	53020000 <hex>	
		DATA_UPDTAB SPB8N500	2000000 <hex>	
		DATA_UPDTAB SPB8N500	49000187 <hex>	
		DATA_UPDTAB SPB8N500	4000011F <hex>	
		DATA_UPDTAB SPB8N500	490C0192 <hex>	
		DATA_UPDTAB SPB8N500	40000146 <hex>	
		DATA_UPDTAB SPB8N500	32000004 <hex>	
		DATA_UPDTAB SPB8N500	49000184 <hex>	
		DATA_UPDTAB SPB8N500	35010000 <hex>	
		DATA_UPDTAB SPB8N500	30000017 <hex>	
		DATA_UPDTAB SPB8N500	40000162 <hex>	
		DATA_UPDTAB SPB8N500	32000004 <hex>	
		DATA_UPDTAB SPB8N500	4900018A <hex>	
		DATA_UPDTAB SPB8N500	34010000 <hex>	
		DATA_UPDTAB SPB8N500	30000030 <hex>	
		TC Control Flags :		
			GBM IL DSE	

		Subsch. ID : 370		
		Det. descr. : UPDATE CONTENTS OF A TABLE		

SPIRE ON, DPU_START - Switch ON the redundant SPIRE units
 File: H_COP_SPI_RSON.xls
 Author: L.Lucas-hp



Step No.	Time	Activity/Remarks	TC/TLM	Display/ Branch
	ET=+00.00.01 UT=+00.00.01	UPDATE_TABLE		
		UPDATE_TABLE	SCB02500	
		Command Parameter(s) :		
		TABLEID_UPDTAB SPB8N500	53 <hex>	
		INDEX_UPDTAB SPB8N500	98 <hex>	
		N_UPDTAB SPB8N500	38 <dec>	
		DATA_UPDTAB SPB8N500	900000A <hex>	
		DATA_UPDTAB SPB8N500	2000000 <hex>	
		DATA_UPDTAB SPB8N500	12000000 <hex>	
		DATA_UPDTAB SPB8N500	0 <hex>	
		DATA_UPDTAB SPB8N500	4901018E <hex>	
		DATA_UPDTAB SPB8N500	220C0C01 <hex>	
		DATA_UPDTAB SPB8N500	340C0000 <hex>	
		DATA_UPDTAB SPB8N500	30000005 <hex>	
		DATA_UPDTAB SPB8N500	220B0B01 <hex>	
		DATA_UPDTAB SPB8N500	340B0000 <hex>	
		DATA_UPDTAB SPB8N500	3000006D <hex>	
		DATA_UPDTAB SPB8N500	30FFFFEB <hex>	
		DATA_UPDTAB SPB8N500	12000000 <hex>	
		DATA_UPDTAB SPB8N500	7021 <hex>	
		DATA_UPDTAB SPB8N500	53010000 <hex>	
		DATA_UPDTAB SPB8N500	2000000 <hex>	
		DATA_UPDTAB SPB8N500	3000001F <hex>	
		DATA_UPDTAB SPB8N500	49000188 <hex>	
		DATA_UPDTAB SPB8N500	4000011F <hex>	
		DATA_UPDTAB SPB8N500	490C0192 <hex>	
		DATA_UPDTAB SPB8N500	40000146 <hex>	
		DATA_UPDTAB SPB8N500	32000004 <hex>	
		DATA_UPDTAB SPB8N500	49000189 <hex>	
		DATA_UPDTAB SPB8N500	34010000 <hex>	
		DATA_UPDTAB SPB8N500	30FFFFDB <hex>	
		DATA_UPDTAB SPB8N500	40000162 <hex>	
		DATA_UPDTAB SPB8N500	32000004 <hex>	
		DATA_UPDTAB SPB8N500	4900018A <hex>	
		DATA_UPDTAB SPB8N500	34010000 <hex>	
		DATA_UPDTAB SPB8N500	30000012 <hex>	
		DATA_UPDTAB SPB8N500	900000A <hex>	
		DATA_UPDTAB SPB8N500	2000000 <hex>	
		DATA_UPDTAB SPB8N500	12000000 <hex>	
		DATA_UPDTAB SPB8N500	0 <hex>	
		DATA_UPDTAB SPB8N500	4901018E <hex>	
		DATA_UPDTAB SPB8N500	220C0C01 <hex>	
		DATA_UPDTAB SPB8N500	340C0000 <hex>	
		DATA_UPDTAB SPB8N500	30000005 <hex>	
		TC Control Flags :		
			GBM IL DSE	

		Subsch. ID : 370		
		Det. descr. : UPDATE CONTENTS OF A TABLE		

SPIRE ON, DPU_START - Switch ON the redundant SPIRE units
 File: H_COP_SPI_RSON.xls
 Author: L.Lucas-hp



Step No.	Time	Activity/Remarks	TC/TLM	Display/ Branch
	ET=+00.00.01 UT=+00.00.01	UPDATE_TABLE	SCB02500	
		UPDATE_TABLE		
		Command Parameter(s) :		
		TABLEID_UPDTAB SPB5N500	53 <hex>	
		INDEX_UPDTAB SPB6N500	BE <hex>	
		N_UPDTAB SPB7N500	38 <dec>	
		DATA_UPDTAB SPB8N500	220B0B01 <hex>	
		DATA_UPDTAB SPB8N500	340B0000 <hex>	
		DATA_UPDTAB SPB8N500	3000004F <hex>	
		DATA_UPDTAB SPB8N500	30FFFFEB <hex>	
		DATA_UPDTAB SPB8N500	12000000 <hex>	
		DATA_UPDTAB SPB8N500	7022 <hex>	
		DATA_UPDTAB SPB8N500	53010000 <hex>	
		DATA_UPDTAB SPB8N500	2000000 <hex>	
		DATA_UPDTAB SPB8N500	30000001 <hex>	
		DATA_UPDTAB SPB8N500	12000000 <hex>	
		DATA_UPDTAB SPB8N500	501 <hex>	
		DATA_UPDTAB SPB8N500	12000001 <hex>	
		DATA_UPDTAB SPB8N500	5 <hex>	
		DATA_UPDTAB SPB8N500	4B01017F <hex>	
		DATA_UPDTAB SPB8N500	6107FC01 <hex>	
		DATA_UPDTAB SPB8N500	53020000 <hex>	
		DATA_UPDTAB SPB8N500	2000000 <hex>	
		DATA_UPDTAB SPB8N500	49000181 <hex>	
		DATA_UPDTAB SPB8N500	4000011F <hex>	
		DATA_UPDTAB SPB8N500	49000181 <hex>	
		DATA_UPDTAB SPB8N500	40000139 <hex>	
		DATA_UPDTAB SPB8N500	490C0190 <hex>	
		DATA_UPDTAB SPB8N500	40000170 <hex>	
		DATA_UPDTAB SPB8N500	32000004 <hex>	
		DATA_UPDTAB SPB8N500	4900018B <hex>	
		DATA_UPDTAB SPB8N500	35010000 <hex>	
		DATA_UPDTAB SPB8N500	3000000D <hex>	
		DATA_UPDTAB SPB8N500	900000A <hex>	
		DATA_UPDTAB SPB8N500	2000000 <hex>	
		DATA_UPDTAB SPB8N500	12000000 <hex>	
		DATA_UPDTAB SPB8N500	0 <hex>	
		DATA_UPDTAB SPB8N500	4901018E <hex>	
		DATA_UPDTAB SPB8N500	220C0C01 <hex>	
		DATA_UPDTAB SPB8N500	340C0000 <hex>	
		DATA_UPDTAB SPB8N500	30000034 <hex>	
		DATA_UPDTAB SPB8N500	220B0B01 <hex>	
		DATA_UPDTAB SPB8N500	340B0000 <hex>	
		DATA_UPDTAB SPB8N500	3000002C <hex>	
		TC Control Flags :		
			GBM IL DSE	

		Subsch. ID : 370		
		Det. descr. : UPDATE CONTENTS OF A TABLE		

SPIRE ON, DPU_START - Switch ON the redundant SPIRE units
 File: H_COP_SPI_RSON.xls
 Author: L.Lucas-hp



Step No.	Time	Activity/Remarks	TC/TLM	Display/ Branch
	ET=+00.00.01 UT=+00.00.01	UPDATE_TABLE		
		UPDATE_TABLE	SCB02500	
		Command Parameter(s) :		
		TABLEID_UPDTAB SPB8N500	53 <hex>	
		INDEX_UPDTAB SPB6N500	E4 <hex>	
		N_UPDTAB SPB7N500	38 <dec>	
		DATA_UPDTAB SPB8N500	30FFFFFF0 <hex>	
		DATA_UPDTAB SPB8N500	12000000 <hex>	
		DATA_UPDTAB SPB8N500	501 <hex>	
		DATA_UPDTAB SPB8N500	12000001 <hex>	
		DATA_UPDTAB SPB8N500	6 <hex>	
		DATA_UPDTAB SPB8N500	4B01017F <hex>	
		DATA_UPDTAB SPB8N500	6107FC01 <hex>	
		DATA_UPDTAB SPB8N500	53020000 <hex>	
		DATA_UPDTAB SPB8N500	2000000 <hex>	
		DATA_UPDTAB SPB8N500	49000180 <hex>	
		DATA_UPDTAB SPB8N500	4000012C <hex>	
		DATA_UPDTAB SPB8N500	490C0193 <hex>	
		DATA_UPDTAB SPB8N500	40000146 <hex>	
		DATA_UPDTAB SPB8N500	32000004 <hex>	
		DATA_UPDTAB SPB8N500	4900018C <hex>	
		DATA_UPDTAB SPB8N500	35010000 <hex>	
		DATA_UPDTAB SPB8N500	30000011 <hex>	
		DATA_UPDTAB SPB8N500	9000000A <hex>	
		DATA_UPDTAB SPB8N500	2000000 <hex>	
		DATA_UPDTAB SPB8N500	12000000 <hex>	
		DATA_UPDTAB SPB8N500	0 <hex>	
		DATA_UPDTAB SPB8N500	4901018E <hex>	
		DATA_UPDTAB SPB8N500	220C0C01 <hex>	
		DATA_UPDTAB SPB8N500	340C0000 <hex>	
		DATA_UPDTAB SPB8N500	30000005 <hex>	
		DATA_UPDTAB SPB8N500	220B0B01 <hex>	
		DATA_UPDTAB SPB8N500	340B0000 <hex>	
		DATA_UPDTAB SPB8N500	30000010 <hex>	
		DATA_UPDTAB SPB8N500	30FFFFFF0 <hex>	
		DATA_UPDTAB SPB8N500	12000000 <hex>	
		DATA_UPDTAB SPB8N500	7023 <hex>	
		DATA_UPDTAB SPB8N500	53010000 <hex>	
		DATA_UPDTAB SPB8N500	30000003 <hex>	
		DATA_UPDTAB SPB8N500	4900018D <hex>	
		DATA_UPDTAB SPB8N500	4000012C <hex>	
		DATA_UPDTAB SPB8N500	12000000 <hex>	
		DATA_UPDTAB SPB8N500	501 <hex>	
		DATA_UPDTAB SPB8N500	12000001 <hex>	
		TC Control Flags :		
			GBM IL DSE	

		Subsch. ID : 370		
		Det. descr. : UPDATE CONTENTS OF A TABLE		

SPIRE ON, DPU_START - Switch ON the redundant SPIRE units
 File: H_COP_SPI_RSON.xls
 Author: L.Lucas-hp



Step No.	Time	Activity/Remarks	TC/TLM	Display/ Branch
	ET=+00.00.01 UT=+00.00.01	UPDATE_TABLE		
		UPDATE_TABLE	SCB02500	
		Command Parameter(s) :		
		TABLEID_UPDTAB	SPB5N500	53 <hex>
		INDEX_UPDTAB	SPB6N500	10A <hex>
		N_UPDTAB	SPB7N500	38 <dec>
		DATA_UPDTAB	SPB8N500	7 <hex>
		DATA_UPDTAB	SPB8N500	4B01017F <hex>
		DATA_UPDTAB	SPB8N500	6107FC01 <hex>
		DATA_UPDTAB	SPB8N500	53020000 <hex>
		DATA_UPDTAB	SPB8N500	7F000000 <hex>
		DATA_UPDTAB	SPB8N500	12000000 <hex>
		DATA_UPDTAB	SPB8N500	7024 <hex>
		DATA_UPDTAB	SPB8N500	53010000 <hex>
		DATA_UPDTAB	SPB8N500	2000000 <hex>
		DATA_UPDTAB	SPB8N500	30000005 <hex>
		DATA_UPDTAB	SPB8N500	12000000 <hex>
		DATA_UPDTAB	SPB8N500	7020 <hex>
		DATA_UPDTAB	SPB8N500	53010000 <hex>
		DATA_UPDTAB	SPB8N500	2000000 <hex>
		DATA_UPDTAB	SPB8N500	49000181 <hex>
		DATA_UPDTAB	SPB8N500	4000011F <hex>
		DATA_UPDTAB	SPB8N500	49000181 <hex>
		DATA_UPDTAB	SPB8N500	4000012C <hex>
		DATA_UPDTAB	SPB8N500	49000181 <hex>
		DATA_UPDTAB	SPB8N500	40000139 <hex>
		DATA_UPDTAB	SPB8N500	7F000000 <hex>
		DATA_UPDTAB	SPB8N500	80007D0 <hex>
		DATA_UPDTAB	SPB8N500	1000001 <hex>
		DATA_UPDTAB	SPB8N500	12000003 <hex>
		DATA_UPDTAB	SPB8N500	7D0 <hex>
		DATA_UPDTAB	SPB8N500	20020000 <hex>
		DATA_UPDTAB	SPB8N500	12000001 <hex>
		DATA_UPDTAB	SPB8N500	C7 <hex>
		DATA_UPDTAB	SPB8N500	12000000 <hex>
		DATA_UPDTAB	SPB8N500	2 <hex>
		DATA_UPDTAB	SPB8N500	60640001 <hex>
		DATA_UPDTAB	SPB8N500	80007D0 <hex>
		DATA_UPDTAB	SPB8N500	1000000 <hex>
		DATA_UPDTAB	SPB8N500	41000000 <hex>
		DATA_UPDTAB	SPB8N500	80007D0 <hex>
		DATA_UPDTAB	SPB8N500	1000001 <hex>
		DATA_UPDTAB	SPB8N500	12000003 <hex>
		DATA_UPDTAB	SPB8N500	7D0 <hex>
		TC Control Flags :		
			GBM IL DSE	

		Subsch. ID : 370		
		Det. descr. : UPDATE CONTENTS OF A TABLE		

SPIRE ON, DPU_START - Switch ON the redundant SPIRE units
 File: H_COP_SPI_RSON.xls
 Author: L.Lucas-hp



Step No.	Time	Activity/Remarks	TC/TLM	Display/ Branch
	ET=+00.00.01 UT=+00.00.01	UPDATE_TABLE		
		UPDATE_TABLE	SCB02500	
		Command Parameter(s) :		
		TABLEID_UPDTAB SPB5N500	53 <hex>	
		INDEX_UPDTAB SPB6N500	130 <hex>	
		N_UPDTAB SPB7N500	38 <dec>	
		DATA_UPDTAB SPB8N500	20020000 <hex>	
		DATA_UPDTAB SPB8N500	12000001 <hex>	
		DATA_UPDTAB SPB8N500	C4 <hex>	
		DATA_UPDTAB SPB8N500	12000000 <hex>	
		DATA_UPDTAB SPB8N500	2 <hex>	
		DATA_UPDTAB SPB8N500	60640001 <hex>	
		DATA_UPDTAB SPB8N500	80007D0 <hex>	
		DATA_UPDTAB SPB8N500	1000000 <hex>	
		DATA_UPDTAB SPB8N500	41000000 <hex>	
		DATA_UPDTAB SPB8N500	80007D0 <hex>	
		DATA_UPDTAB SPB8N500	1000001 <hex>	
		DATA_UPDTAB SPB8N500	12000003 <hex>	
		DATA_UPDTAB SPB8N500	7D0 <hex>	
		DATA_UPDTAB SPB8N500	20020000 <hex>	
		DATA_UPDTAB SPB8N500	12000001 <hex>	
		DATA_UPDTAB SPB8N500	C5 <hex>	
		DATA_UPDTAB SPB8N500	12000000 <hex>	
		DATA_UPDTAB SPB8N500	2 <hex>	
		DATA_UPDTAB SPB8N500	60640001 <hex>	
		DATA_UPDTAB SPB8N500	80007D0 <hex>	
		DATA_UPDTAB SPB8N500	1000000 <hex>	
		DATA_UPDTAB SPB8N500	41000000 <hex>	
		DATA_UPDTAB SPB8N500	80007D0 <hex>	
		DATA_UPDTAB SPB8N500	1000001 <hex>	
		DATA_UPDTAB SPB8N500	12000000 <hex>	
		DATA_UPDTAB SPB8N500	2 <hex>	
		DATA_UPDTAB SPB8N500	12000001 <hex>	
		DATA_UPDTAB SPB8N500	8E0 <hex>	
		DATA_UPDTAB SPB8N500	12000002 <hex>	
		DATA_UPDTAB SPB8N500	0 <hex>	
		DATA_UPDTAB SPB8N500	12000003 <hex>	
		DATA_UPDTAB SPB8N500	7D0 <hex>	
		DATA_UPDTAB SPB8N500	60640001 <hex>	
		DATA_UPDTAB SPB8N500	80007D0 <hex>	
		DATA_UPDTAB SPB8N500	1000000 <hex>	
		DATA_UPDTAB SPB8N500	41000000 <hex>	
		DATA_UPDTAB SPB8N500	80007D0 <hex>	
		DATA_UPDTAB SPB8N500	1000001 <hex>	
		TC Control Flags :		
			GBM IL DSE	

		Subsch. ID : 370		
		Det. descr. : UPDATE CONTENTS OF A TABLE		

SPIRE ON, DPU_START - Switch ON the redundant SPIRE units
 File: H_COP_SPI_RSON.xls
 Author: L.Lucas-hp



Step No.	Time	Activity/Remarks	TC/TLM	Display/ Branch
	ET=+00.00.01 UT=+00.00.01	UPDATE_TABLE UPDATE_TABLE	SCB02500	
		Command Parameter(s) :		
		TABLEID_UPDTAB SPB5N500	53 <hex>	
		INDEX_UPDTAB SPB6N500	156 <hex>	
		N_UPDTAB SPB7N500	38 <dec>	
		DATA_UPDTAB SPB8N500	12000000 <hex>	
		DATA_UPDTAB SPB8N500	2 <hex>	
		DATA_UPDTAB SPB8N500	12000001 <hex>	
		DATA_UPDTAB SPB8N500	8E1 <hex>	
		DATA_UPDTAB SPB8N500	12000002 <hex>	
		DATA_UPDTAB SPB8N500	0 <hex>	
		DATA_UPDTAB SPB8N500	12000003 <hex>	
		DATA_UPDTAB SPB8N500	7D0 <hex>	
		DATA_UPDTAB SPB8N500	60640001 <hex>	
		DATA_UPDTAB SPB8N500	80007D0 <hex>	
		DATA_UPDTAB SPB8N500	1000000 <hex>	
		DATA_UPDTAB SPB8N500	41000000 <hex>	
		DATA_UPDTAB SPB8N500	80007D0 <hex>	
		DATA_UPDTAB SPB8N500	1000001 <hex>	
		DATA_UPDTAB SPB8N500	12000000 <hex>	
		DATA_UPDTAB SPB8N500	2 <hex>	
		DATA_UPDTAB SPB8N500	12000001 <hex>	
		DATA_UPDTAB SPB8N500	8F0 <hex>	
		DATA_UPDTAB SPB8N500	12000002 <hex>	
		DATA_UPDTAB SPB8N500	0 <hex>	
		DATA_UPDTAB SPB8N500	12000003 <hex>	
		DATA_UPDTAB SPB8N500	7D0 <hex>	
		DATA_UPDTAB SPB8N500	60640001 <hex>	
		DATA_UPDTAB SPB8N500	80007D0 <hex>	
		DATA_UPDTAB SPB8N500	1000000 <hex>	
		DATA_UPDTAB SPB8N500	41000000 <hex>	
		DATA_UPDTAB SPB8N500	80007D0 <hex>	
		DATA_UPDTAB SPB8N500	1000001 <hex>	
		DATA_UPDTAB SPB8N500	12000000 <hex>	
		DATA_UPDTAB SPB8N500	2 <hex>	
		DATA_UPDTAB SPB8N500	12000001 <hex>	
		DATA_UPDTAB SPB8N500	8E2 <hex>	
		DATA_UPDTAB SPB8N500	12000002 <hex>	
		DATA_UPDTAB SPB8N500	0 <hex>	
		DATA_UPDTAB SPB8N500	12000003 <hex>	
		DATA_UPDTAB SPB8N500	7D0 <hex>	
		DATA_UPDTAB SPB8N500	60640001 <hex>	
		DATA_UPDTAB SPB8N500	80007D0 <hex>	
		TC Control Flags :		
			GBM IL DSE	

		Subsch. ID : 370		
		Det. descr. : UPDATE CONTENTS OF A TABLE		

SPIRE ON, DPU_START - Switch ON the redundant SPIRE units
 File: H_COP_SPI_RSON.xls
 Author: L.Lucas-hp



Step No.	Time	Activity/Remarks	TC/TLM	Display/ Branch
		DATA_UPDTAB SPB8N500	40000000 <hex>	
		DATA_UPDTAB SPB8N500	3200006F <hex>	
		DATA_UPDTAB SPB8N500	A00005C <hex>	
		DATA_UPDTAB SPB8N500	325C0014 <hex>	
		DATA_UPDTAB SPB8N500	2000005B <hex>	
		DATA_UPDTAB SPB8N500	18000000 <hex>	
		DATA_UPDTAB SPB8N500	30000000 <hex>	
		DATA_UPDTAB SPB8N500	32000005 <hex>	
		DATA_UPDTAB SPB8N500	1200005A <hex>	
		DATA_UPDTAB SPB8N500	520 <hex>	
		DATA_UPDTAB SPB8N500	5302005A <hex>	
		DATA_UPDTAB SPB8N500	30000062 <hex>	
		DATA_UPDTAB SPB8N500	14000000 <hex>	
		DATA_UPDTAB SPB8N500	10000000 <hex>	
		DATA_UPDTAB SPB8N500	32000005 <hex>	
		TC Control Flags :		
			GBM IL DSE	

		Subsch. ID : 370		
		Det. descr. : UPDATE CONTENTS OF A TABLE		
		UPDATE_TABLE	UPDATE_TABLE	SCB02500
	ET=+00.00.01 UT=+00.00.01	Command Parameter(s) :		
		TABLEID_UPDTAB SPB5N500	64 <hex>	
		INDEX_UPDTAB SPB6N500	8A <hex>	
		N_UPDTAB SPB7N500	38 <dec>	
		DATA_UPDTAB SPB8N500	1200005A <hex>	
		DATA_UPDTAB SPB8N500	521 <hex>	
		DATA_UPDTAB SPB8N500	5302005A <hex>	
		DATA_UPDTAB SPB8N500	3000005B <hex>	
		DATA_UPDTAB SPB8N500	1200005A <hex>	
		DATA_UPDTAB SPB8N500	522 <hex>	
		DATA_UPDTAB SPB8N500	5302005A <hex>	
		DATA_UPDTAB SPB8N500	30000057 <hex>	
		DATA_UPDTAB SPB8N500	2000005B <hex>	
		DATA_UPDTAB SPB8N500	18000000 <hex>	
		DATA_UPDTAB SPB8N500	8000000 <hex>	
		DATA_UPDTAB SPB8N500	3200001F <hex>	
		DATA_UPDTAB SPB8N500	2000005B <hex>	
		DATA_UPDTAB SPB8N500	18000000 <hex>	
		DATA_UPDTAB SPB8N500	CFFFFFFF <hex>	
		DATA_UPDTAB SPB8N500	2001005C <hex>	
		DATA_UPDTAB SPB8N500	18000001 <hex>	
		DATA_UPDTAB SPB8N500	CFFFFFFF <hex>	
		DATA_UPDTAB SPB8N500	22000001 <hex>	
		DATA_UPDTAB SPB8N500	18000000 <hex>	
		DATA_UPDTAB SPB8N500	CFFFFFFF <hex>	
		DATA_UPDTAB SPB8N500	32000002 <hex>	
		DATA_UPDTAB SPB8N500	30000032 <hex>	

SPIRE ON, DPU_START - Switch ON the redundant SPIRE units
 File: H_COP_SPI_RSON.xls
 Author: L.Lucas-hp



Step No.	Time	Activity/Remarks	TC/TLM	Display/ Branch
		DATA_UPDTAB SPB8N500	2000005B <hex>	
		DATA_UPDTAB SPB8N500	18000000 <hex>	
		DATA_UPDTAB SPB8N500	30000000 <hex>	
		DATA_UPDTAB SPB8N500	32000005 <hex>	
		DATA_UPDTAB SPB8N500	1200005A <hex>	
		DATA_UPDTAB SPB8N500	50C <hex>	
		DATA_UPDTAB SPB8N500	5303005A <hex>	
		DATA_UPDTAB SPB8N500	30000040 <hex>	
		DATA_UPDTAB SPB8N500	14000000 <hex>	
		DATA_UPDTAB SPB8N500	10000000 <hex>	
		DATA_UPDTAB SPB8N500	32000005 <hex>	
		DATA_UPDTAB SPB8N500	1200005A <hex>	
		DATA_UPDTAB SPB8N500	50D <hex>	
		DATA_UPDTAB SPB8N500	5303005A <hex>	
		DATA_UPDTAB SPB8N500	30000039 <hex>	
		TC Control Flags :		
			GBM IL DSE	

		Subsch. ID : 370		
		Det. descr. : UPDATE CONTENTS OF A TABLE		
		UPDATE_TABLE	UPDATE_TABLE	SCB02500
	ET=+00.00.01 UT=+00.00.01	Command Parameter(s) :		
		TABLEID_UPDTAB SPB5N500	64 <hex>	
		INDEX_UPDTAB SPB6N500	B0 <hex>	
		N_UPDTAB SPB7N500	38 <dec>	
		DATA_UPDTAB SPB8N500	1200005A <hex>	
		DATA_UPDTAB SPB8N500	50E <hex>	
		DATA_UPDTAB SPB8N500	5303005A <hex>	
		DATA_UPDTAB SPB8N500	30000035 <hex>	
		DATA_UPDTAB SPB8N500	2000005B <hex>	
		DATA_UPDTAB SPB8N500	18000000 <hex>	
		DATA_UPDTAB SPB8N500	CFFF0000 <hex>	
		DATA_UPDTAB SPB8N500	2001005C <hex>	
		DATA_UPDTAB SPB8N500	18000001 <hex>	
		DATA_UPDTAB SPB8N500	CFFF0000 <hex>	
		DATA_UPDTAB SPB8N500	22000001 <hex>	
		DATA_UPDTAB SPB8N500	18000000 <hex>	
		DATA_UPDTAB SPB8N500	CFFF0000 <hex>	
		DATA_UPDTAB SPB8N500	32000002 <hex>	
		DATA_UPDTAB SPB8N500	30000014 <hex>	
		DATA_UPDTAB SPB8N500	2000005B <hex>	
		DATA_UPDTAB SPB8N500	18000000 <hex>	
		DATA_UPDTAB SPB8N500	30000000 <hex>	
		DATA_UPDTAB SPB8N500	32000005 <hex>	
		DATA_UPDTAB SPB8N500	1200005A <hex>	
		DATA_UPDTAB SPB8N500	50C <hex>	
		DATA_UPDTAB SPB8N500	5303005A <hex>	
		DATA_UPDTAB SPB8N500	30000022 <hex>	

SPIRE ON, DPU_START - Switch ON the redundant SPIRE units
 File: H_COP_SPI_RSON.xls
 Author: L.Lucas-hp



Step No.	Time	Activity/Remarks	TC/TLM	Display/ Branch
		DATA_UPDTAB SPB8N500	14000000 <hex>	
		DATA_UPDTAB SPB8N500	10000000 <hex>	
		DATA_UPDTAB SPB8N500	32000005 <hex>	
		DATA_UPDTAB SPB8N500	1200005A <hex>	
		DATA_UPDTAB SPB8N500	50D <hex>	
		DATA_UPDTAB SPB8N500	5303005A <hex>	
		DATA_UPDTAB SPB8N500	3000001B <hex>	
		DATA_UPDTAB SPB8N500	1200005A <hex>	
		DATA_UPDTAB SPB8N500	50E <hex>	
		DATA_UPDTAB SPB8N500	5303005A <hex>	
		DATA_UPDTAB SPB8N500	30000017 <hex>	
		DATA_UPDTAB SPB8N500	2000005C <hex>	
		DATA_UPDTAB SPB8N500	18000000 <hex>	
		DATA_UPDTAB SPB8N500	30000000 <hex>	
		DATA_UPDTAB SPB8N500	32000002 <hex>	
		TC Control Flags :		
			GBM IL DSE	

		Subsch. ID : 370		
		Det. descr. : UPDATE CONTENTS OF A TABLE		
		UPDATE_TABLE	UPDATE_TABLE	SCB02500
	ET=+00.00.01 UT=+00.00.01	Command Parameter(s) :		
		TABLEID_UPDTAB SPB5N500	64 <hex>	
		INDEX_UPDTAB SPB6N500	D6 <hex>	
		N_UPDTAB SPB7N500	38 <dec>	
		DATA_UPDTAB SPB8N500	30000015 <hex>	
		DATA_UPDTAB SPB8N500	14000000 <hex>	
		DATA_UPDTAB SPB8N500	10000000 <hex>	
		DATA_UPDTAB SPB8N500	32000005 <hex>	
		DATA_UPDTAB SPB8N500	1200005A <hex>	
		DATA_UPDTAB SPB8N500	509 <hex>	
		DATA_UPDTAB SPB8N500	5303005A <hex>	
		DATA_UPDTAB SPB8N500	3000000B <hex>	
		DATA_UPDTAB SPB8N500	14000000 <hex>	
		DATA_UPDTAB SPB8N500	10000000 <hex>	
		DATA_UPDTAB SPB8N500	32000005 <hex>	
		DATA_UPDTAB SPB8N500	1200005A <hex>	
		DATA_UPDTAB SPB8N500	50A <hex>	
		DATA_UPDTAB SPB8N500	5303005A <hex>	
		DATA_UPDTAB SPB8N500	30000004 <hex>	
		DATA_UPDTAB SPB8N500	1200005A <hex>	
		DATA_UPDTAB SPB8N500	50B <hex>	
		DATA_UPDTAB SPB8N500	5303005A <hex>	
		DATA_UPDTAB SPB8N500	12000000 <hex>	
		DATA_UPDTAB SPB8N500	FFFF <hex>	
		DATA_UPDTAB SPB8N500	30000006 <hex>	
		DATA_UPDTAB SPB8N500	12000000 <hex>	
		DATA_UPDTAB SPB8N500	0 <hex>	

SPIRE ON, DPU_START - Switch ON the redundant SPIRE units
 File: H_COP_SPI_RSON.xls
 Author: L.Lucas-hp



Step No.	Time	Activity/Remarks	TC/TLM	Display/ Branch
		DATA_UPDTAB SPB8N500	2001005C <hex>	
		DATA_UPDTAB SPB8N500	18000001 <hex>	
		DATA_UPDTAB SPB8N500	FFFF <hex>	
		DATA_UPDTAB SPB8N500	41000000 <hex>	
		DATA_UPDTAB SPB8N500	18000000 <hex>	
		DATA_UPDTAB SPB8N500	F <hex>	
		DATA_UPDTAB SPB8N500	1B00001C <hex>	
		DATA_UPDTAB SPB8N500	18000000 <hex>	
		DATA_UPDTAB SPB8N500	F0000000 <hex>	
		DATA_UPDTAB SPB8N500	18000001 <hex>	
		DATA_UPDTAB SPB8N500	FFF <hex>	
		DATA_UPDTAB SPB8N500	1B010010 <hex>	
		DATA_UPDTAB SPB8N500	18000001 <hex>	
		DATA_UPDTAB SPB8N500	FFF0000 <hex>	
		DATA_UPDTAB SPB8N500	18000002 <hex>	
		TC Control Flags :		
			GBM IL DSE	

		Subsch. ID : 370		
		Det. descr. : UPDATE CONTENTS OF A TABLE		
		UPDATE_TABLE	UPDATE_TABLE	SCB02500
	ET=+00.00.01 UT=+00.00.01	Command Parameter(s) :		
		TABLEID_UPDTAB SPB5N500	64 <hex>	
		INDEX_UPDTAB SPB6N500	FC <hex>	
		N_UPDTAB SPB7N500	38 <dec>	
		DATA_UPDTAB SPB8N500	FFFF <hex>	
		DATA_UPDTAB SPB8N500	21000001 <hex>	
		DATA_UPDTAB SPB8N500	21000002 <hex>	
		DATA_UPDTAB SPB8N500	19000000 <hex>	
		DATA_UPDTAB SPB8N500	80000000 <hex>	
		DATA_UPDTAB SPB8N500	20010003 <hex>	
		DATA_UPDTAB SPB8N500	40000064 <hex>	
		DATA_UPDTAB SPB8N500	41000000 <hex>	
		DATA_UPDTAB SPB8N500	20280000 <hex>	
		DATA_UPDTAB SPB8N500	20290001 <hex>	
		DATA_UPDTAB SPB8N500	202A0002 <hex>	
		DATA_UPDTAB SPB8N500	202B0003 <hex>	
		DATA_UPDTAB SPB8N500	202C0004 <hex>	
		DATA_UPDTAB SPB8N500	202D0005 <hex>	
		DATA_UPDTAB SPB8N500	202E0006 <hex>	
		DATA_UPDTAB SPB8N500	202F0007 <hex>	
		DATA_UPDTAB SPB8N500	20300008 <hex>	
		DATA_UPDTAB SPB8N500	20310009 <hex>	
		DATA_UPDTAB SPB8N500	2032000A <hex>	
		DATA_UPDTAB SPB8N500	2033000B <hex>	
		DATA_UPDTAB SPB8N500	2034000C <hex>	
		DATA_UPDTAB SPB8N500	2035000D <hex>	
		DATA_UPDTAB SPB8N500	2036000E <hex>	

SPIRE ON, DPU_START - Switch ON the redundant SPIRE units
 File: H_COP_SPI_RSON.xls
 Author: L.Lucas-hp



Step No.	Time	Activity/Remarks	TC/TLM	Display/ Branch
		DATA_UPDTAB SPB8N500	2037000F <hex>	
		DATA_UPDTAB SPB8N500	20380010 <hex>	
		DATA_UPDTAB SPB8N500	20390011 <hex>	
		DATA_UPDTAB SPB8N500	203A0012 <hex>	
		DATA_UPDTAB SPB8N500	203B0013 <hex>	
		DATA_UPDTAB SPB8N500	41000000 <hex>	
		DATA_UPDTAB SPB8N500	40000104 <hex>	
		DATA_UPDTAB SPB8N500	12000014 <hex>	
		DATA_UPDTAB SPB8N500	7D0 <hex>	
		DATA_UPDTAB SPB8N500	20170004 <hex>	
		DATA_UPDTAB SPB8N500	14000017 <hex>	
		DATA_UPDTAB SPB8N500	FFFF <hex>	
		DATA_UPDTAB SPB8N500	20150003 <hex>	
		DATA_UPDTAB SPB8N500	14000015 <hex>	
		DATA_UPDTAB SPB8N500	7D0 <hex>	
		TC Control Flags :		
			GBM IL DSE	

		Subsch. ID : 370		
		Det. descr. : UPDATE CONTENTS OF A TABLE		
		UPDATE_TABLE	UPDATE_TABLE	SCB02500
	ET=+00.00.01 UT=+00.00.01	Command Parameter(s) :		
		TABLEID_UPDTAB SPB5N500	64 <hex>	
		INDEX_UPDTAB SPB6N500	122 <hex>	
		N_UPDTAB SPB7N500	38 <dec>	
		DATA_UPDTAB SPB8N500	14000015 <hex>	
		DATA_UPDTAB SPB8N500	7D0 <hex>	
		DATA_UPDTAB SPB8N500	32170002 <hex>	
		DATA_UPDTAB SPB8N500	30000007 <hex>	
		DATA_UPDTAB SPB8N500	14000015 <hex>	
		DATA_UPDTAB SPB8N500	7D0 <hex>	
		DATA_UPDTAB SPB8N500	14000015 <hex>	
		DATA_UPDTAB SPB8N500	7D0 <hex>	
		DATA_UPDTAB SPB8N500	14000015 <hex>	
		DATA_UPDTAB SPB8N500	7D0 <hex>	
		DATA_UPDTAB SPB8N500	14000015 <hex>	
		DATA_UPDTAB SPB8N500	7D0 <hex>	
		DATA_UPDTAB SPB8N500	35150014 <hex>	
		DATA_UPDTAB SPB8N500	30000005 <hex>	
		DATA_UPDTAB SPB8N500	12000000 <hex>	
		DATA_UPDTAB SPB8N500	7000 <hex>	
		DATA_UPDTAB SPB8N500	53010000 <hex>	
		DATA_UPDTAB SPB8N500	3000004E <hex>	
		DATA_UPDTAB SPB8N500	20160000 <hex>	
		DATA_UPDTAB SPB8N500	16000016 <hex>	
		DATA_UPDTAB SPB8N500	2 <hex>	

SPIRE ON, DPU_START - Switch ON the redundant SPIRE units
 File: H_COP_SPI_RSON.xls
 Author: L.Lucas-hp



Step No.	Time	Activity/Remarks	TC/TLM	Display/ Branch
		DATA_UPDTAB SPB8N500	43C <hex>	
		DATA_UPDTAB SPB8N500	20020029 <hex>	
		DATA_UPDTAB SPB8N500	400000F1 <hex>	
		DATA_UPDTAB SPB8N500	32020008 <hex>	
		DATA_UPDTAB SPB8N500	12000000 <hex>	
		DATA_UPDTAB SPB8N500	0 <hex>	
		DATA_UPDTAB SPB8N500	12000001 <hex>	
		DATA_UPDTAB SPB8N500	43E <hex>	
		DATA_UPDTAB SPB8N500	12000002 <hex>	
		DATA_UPDTAB SPB8N500	1 <hex>	
		DATA_UPDTAB SPB8N500	400000F1 <hex>	
		DATA_UPDTAB SPB8N500	12000000 <hex>	
		DATA_UPDTAB SPB8N500	1 <hex>	
		DATA_UPDTAB SPB8N500	12000001 <hex>	
		DATA_UPDTAB SPB8N500	1C1 <hex>	
		TC Control Flags :		
			GBM IL DSE	

		Subsch. ID : 370		
		Det. descr. : UPDATE CONTENTS OF A TABLE		
		UPDATE_TABLE	UPDATE_TABLE	SCB02500
	ET=+00.00.01 UT=+00.00.01	Command Parameter(s) :		
		TABLEID_UPDTAB SPB5N500	64 <hex>	
		INDEX_UPDTAB SPB6N500	16E <hex>	
		N_UPDTAB SPB7N500	38 <dec>	
		DATA_UPDTAB SPB8N500	12000002 <hex>	
		DATA_UPDTAB SPB8N500	0 <hex>	
		DATA_UPDTAB SPB8N500	400000F1 <hex>	
		DATA_UPDTAB SPB8N500	12000000 <hex>	
		DATA_UPDTAB SPB8N500	1 <hex>	
		DATA_UPDTAB SPB8N500	12000001 <hex>	
		DATA_UPDTAB SPB8N500	1C3 <hex>	
		DATA_UPDTAB SPB8N500	2002002C <hex>	
		DATA_UPDTAB SPB8N500	400000F1 <hex>	
		DATA_UPDTAB SPB8N500	32170008 <hex>	
		DATA_UPDTAB SPB8N500	12000000 <hex>	
		DATA_UPDTAB SPB8N500	1 <hex>	
		DATA_UPDTAB SPB8N500	12000001 <hex>	
		DATA_UPDTAB SPB8N500	1C1 <hex>	
		DATA_UPDTAB SPB8N500	12000002 <hex>	
		DATA_UPDTAB SPB8N500	1 <hex>	
		DATA_UPDTAB SPB8N500	400000F1 <hex>	
		DATA_UPDTAB SPB8N500	20010015 <hex>	
		DATA_UPDTAB SPB8N500	20020016 <hex>	
		DATA_UPDTAB SPB8N500	12000000 <hex>	
		DATA_UPDTAB SPB8N500	0 <hex>	
		DATA_UPDTAB SPB8N500	80007D0 <hex>	
		DATA_UPDTAB SPB8N500	1000000 <hex>	

SPIRE ON, DPU_START - Switch ON the redundant SPIRE units
 File: H_COP_SPI_RSON.xls
 Author: L.Lucas-hp



Step No.	Time	Activity/Remarks	TC/TLM	Display/ Branch
		DATA_UPDTAB SPB8N500	80007D0 <hex>	
		DATA_UPDTAB SPB8N500	41000000 <hex>	
		DATA_UPDTAB SPB8N500	40000104 <hex>	
		DATA_UPDTAB SPB8N500	20140004 <hex>	
		DATA_UPDTAB SPB8N500	20170007 <hex>	
		DATA_UPDTAB SPB8N500	14000017 <hex>	
		DATA_UPDTAB SPB8N500	FFFF <hex>	
		DATA_UPDTAB SPB8N500	80007D0 <hex>	
		DATA_UPDTAB SPB8N500	1000001 <hex>	
		DATA_UPDTAB SPB8N500	12000003 <hex>	
		DATA_UPDTAB SPB8N500	7D0 <hex>	
		DATA_UPDTAB SPB8N500	9000003 <hex>	
		DATA_UPDTAB SPB8N500	12000000 <hex>	
		DATA_UPDTAB SPB8N500	1 <hex>	
		DATA_UPDTAB SPB8N500	12000001 <hex>	
		TC Control Flags :		
			GBM IL DSE	

		Subsch. ID : 370		
		Det. descr. : UPDATE CONTENTS OF A TABLE		
		UPDATE_TABLE	UPDATE_TABLE	SCB02500
	ET=+00.00.01 UT=+00.00.01	Command Parameter(s) :		
		TABLEID_UPDTAB SPB5N500	64 <hex>	
		INDEX_UPDTAB SPB6N500	194 <hex>	
		N_UPDTAB SPB7N500	38 <dec>	
		DATA_UPDTAB SPB8N500	C3 <hex>	
		DATA_UPDTAB SPB8N500	20020028 <hex>	
		DATA_UPDTAB SPB8N500	400000F1 <hex>	
		DATA_UPDTAB SPB8N500	12000000 <hex>	
		DATA_UPDTAB SPB8N500	1 <hex>	
		DATA_UPDTAB SPB8N500	12000001 <hex>	
		DATA_UPDTAB SPB8N500	143 <hex>	
		DATA_UPDTAB SPB8N500	20020029 <hex>	
		DATA_UPDTAB SPB8N500	400000F1 <hex>	
		DATA_UPDTAB SPB8N500	12000000 <hex>	
		DATA_UPDTAB SPB8N500	1 <hex>	
		DATA_UPDTAB SPB8N500	12000001 <hex>	
		DATA_UPDTAB SPB8N500	C6 <hex>	
		DATA_UPDTAB SPB8N500	12000002 <hex>	
		DATA_UPDTAB SPB8N500	1 <hex>	
		DATA_UPDTAB SPB8N500	400000F1 <hex>	
		DATA_UPDTAB SPB8N500	32170002 <hex>	
		DATA_UPDTAB SPB8N500	30000015 <hex>	
		DATA_UPDTAB SPB8N500	12000000 <hex>	
		DATA_UPDTAB SPB8N500	1 <hex>	
		DATA_UPDTAB SPB8N500	12000001 <hex>	
		DATA_UPDTAB SPB8N500	1C1 <hex>	
		DATA_UPDTAB SPB8N500	12000002 <hex>	

SPIRE ON, DPU_START - Switch ON the redundant SPIRE units
 File: H_COP_SPI_RSON.xls
 Author: L.Lucas-hp



Step No.	Time	Activity/Remarks	TC/TLM	Display/ Branch
		DATA_UPDTAB SPB8N500	0 <hex>	
		DATA_UPDTAB SPB8N500	400000F1 <hex>	
		DATA_UPDTAB SPB8N500	12000000 <hex>	
		DATA_UPDTAB SPB8N500	1 <hex>	
		DATA_UPDTAB SPB8N500	12000001 <hex>	
		DATA_UPDTAB SPB8N500	1C3 <hex>	
		DATA_UPDTAB SPB8N500	2002002F <hex>	
		DATA_UPDTAB SPB8N500	400000F1 <hex>	
		DATA_UPDTAB SPB8N500	12000000 <hex>	
		DATA_UPDTAB SPB8N500	1 <hex>	
		DATA_UPDTAB SPB8N500	12000001 <hex>	
		DATA_UPDTAB SPB8N500	1C1 <hex>	
		DATA_UPDTAB SPB8N500	12000002 <hex>	
		DATA_UPDTAB SPB8N500	1 <hex>	
		DATA_UPDTAB SPB8N500	400000F1 <hex>	
		TC Control Flags :		
			GBM IL DSE	

		Subsch. ID : 370		
		Det. descr. : UPDATE CONTENTS OF A TABLE		
		UPDATE_TABLE	UPDATE_TABLE	SCB02500
	ET=+00.00.01 UT=+00.00.01	Command Parameter(s) :		
		TABLEID_UPDTAB SPB5N500	64 <hex>	
		INDEX_UPDTAB SPB6N500	1BA <hex>	
		N_UPDTAB SPB7N500	38 <dec>	
		DATA_UPDTAB SPB8N500	9000005 <hex>	
		DATA_UPDTAB SPB8N500	1000000 <hex>	
		DATA_UPDTAB SPB8N500	80007D0 <hex>	
		DATA_UPDTAB SPB8N500	1000001 <hex>	
		DATA_UPDTAB SPB8N500	80007D0 <hex>	
		DATA_UPDTAB SPB8N500	32080002 <hex>	
		DATA_UPDTAB SPB8N500	3000000F <hex>	
		DATA_UPDTAB SPB8N500	12000000 <hex>	
		DATA_UPDTAB SPB8N500	0 <hex>	
		DATA_UPDTAB SPB8N500	12000001 <hex>	
		DATA_UPDTAB SPB8N500	43E <hex>	
		DATA_UPDTAB SPB8N500	12000002 <hex>	
		DATA_UPDTAB SPB8N500	0 <hex>	
		DATA_UPDTAB SPB8N500	400000F1 <hex>	
		DATA_UPDTAB SPB8N500	12000000 <hex>	
		DATA_UPDTAB SPB8N500	0 <hex>	
		DATA_UPDTAB SPB8N500	12000001 <hex>	
		DATA_UPDTAB SPB8N500	43E <hex>	
		DATA_UPDTAB SPB8N500	12000002 <hex>	
		DATA_UPDTAB SPB8N500	1 <hex>	
		DATA_UPDTAB SPB8N500	400000F1 <hex>	
		DATA_UPDTAB SPB8N500	9000006 <hex>	
		DATA_UPDTAB SPB8N500	1000000 <hex>	

SPIRE ON, DPU_START - Switch ON the redundant SPIRE units
 File: H_COP_SPI_RSON.xls
 Author: L.Lucas-hp



Step No.	Time	Activity/Remarks	TC/TLM	Display/ Branch
		DATA_UPDTAB SPB8N500	80007D0 <hex>	
		DATA_UPDTAB SPB8N500	1000001 <hex>	
		DATA_UPDTAB SPB8N500	9000003 <hex>	
		DATA_UPDTAB SPB8N500	12000000 <hex>	
		DATA_UPDTAB SPB8N500	1 <hex>	
		DATA_UPDTAB SPB8N500	12000001 <hex>	
		DATA_UPDTAB SPB8N500	C3 <hex>	
		DATA_UPDTAB SPB8N500	2002002A <hex>	
		DATA_UPDTAB SPB8N500	400000F1 <hex>	
		DATA_UPDTAB SPB8N500	12000000 <hex>	
		DATA_UPDTAB SPB8N500	1 <hex>	
		DATA_UPDTAB SPB8N500	12000001 <hex>	
		DATA_UPDTAB SPB8N500	143 <hex>	
		DATA_UPDTAB SPB8N500	2002002B <hex>	
		DATA_UPDTAB SPB8N500	400000F1 <hex>	
		TC Control Flags :		
			GBM IL DSE	

		Subsch. ID : 370		
		Det. descr. : UPDATE CONTENTS OF A TABLE		
		UPDATE_TABLE	UPDATE_TABLE	SCB02500
	ET=+00.00.01 UT=+00.00.01	Command Parameter(s) :		
		TABLEID_UPDTAB SPB5N500	64 <hex>	
		INDEX_UPDTAB SPB6N500	1E0 <hex>	
		N_UPDTAB SPB7N500	38 <dec>	
		DATA_UPDTAB SPB8N500	12000000 <hex>	
		DATA_UPDTAB SPB8N500	1 <hex>	
		DATA_UPDTAB SPB8N500	12000001 <hex>	
		DATA_UPDTAB SPB8N500	C6 <hex>	
		DATA_UPDTAB SPB8N500	12000002 <hex>	
		DATA_UPDTAB SPB8N500	1 <hex>	
		DATA_UPDTAB SPB8N500	400000F1 <hex>	
		DATA_UPDTAB SPB8N500	32170002 <hex>	
		DATA_UPDTAB SPB8N500	30000015 <hex>	
		DATA_UPDTAB SPB8N500	12000000 <hex>	
		DATA_UPDTAB SPB8N500	1 <hex>	
		DATA_UPDTAB SPB8N500	12000001 <hex>	
		DATA_UPDTAB SPB8N500	1C1 <hex>	
		DATA_UPDTAB SPB8N500	12000002 <hex>	
		DATA_UPDTAB SPB8N500	0 <hex>	
		DATA_UPDTAB SPB8N500	400000F1 <hex>	
		DATA_UPDTAB SPB8N500	12000000 <hex>	
		DATA_UPDTAB SPB8N500	1 <hex>	
		DATA_UPDTAB SPB8N500	12000001 <hex>	
		DATA_UPDTAB SPB8N500	1C3 <hex>	
		DATA_UPDTAB SPB8N500	2002002F <hex>	
		DATA_UPDTAB SPB8N500	400000F1 <hex>	
		DATA_UPDTAB SPB8N500	12000000 <hex>	

SPIRE ON, DPU_START - Switch ON the redundant SPIRE units
 File: H_COP_SPI_RSON.xls
 Author: L.Lucas-hp



Step No.	Time	Activity/Remarks	TC/TLM	Display/ Branch
		DATA_UPDTAB SPB8N500	1 <hex>	
		DATA_UPDTAB SPB8N500	12000001 <hex>	
		DATA_UPDTAB SPB8N500	1C1 <hex>	
		DATA_UPDTAB SPB8N500	12000002 <hex>	
		DATA_UPDTAB SPB8N500	1 <hex>	
		DATA_UPDTAB SPB8N500	400000F1 <hex>	
		DATA_UPDTAB SPB8N500	9000005 <hex>	
		DATA_UPDTAB SPB8N500	1000000 <hex>	
		DATA_UPDTAB SPB8N500	80007D0 <hex>	
		DATA_UPDTAB SPB8N500	1000001 <hex>	
		DATA_UPDTAB SPB8N500	80007D0 <hex>	
		DATA_UPDTAB SPB8N500	32080002 <hex>	
		DATA_UPDTAB SPB8N500	3000000F <hex>	
		DATA_UPDTAB SPB8N500	12000000 <hex>	
		DATA_UPDTAB SPB8N500	0 <hex>	
		TC Control Flags :		
			GBM IL DSE	

		Subsch. ID : 370		
		Det. descr. : UPDATE CONTENTS OF A TABLE		
		UPDATE_TABLE	UPDATE_TABLE	SCB02500
	ET=+00.00.01 UT=+00.00.01	Command Parameter(s) :		
		TABLEID_UPDTAB SPB5N500	64 <hex>	
		INDEX_UPDTAB SPB6N500	206 <hex>	
		N_UPDTAB SPB7N500	38 <dec>	
		DATA_UPDTAB SPB8N500	12000001 <hex>	
		DATA_UPDTAB SPB8N500	43E <hex>	
		DATA_UPDTAB SPB8N500	12000002 <hex>	
		DATA_UPDTAB SPB8N500	0 <hex>	
		DATA_UPDTAB SPB8N500	400000F1 <hex>	
		DATA_UPDTAB SPB8N500	12000000 <hex>	
		DATA_UPDTAB SPB8N500	0 <hex>	
		DATA_UPDTAB SPB8N500	12000001 <hex>	
		DATA_UPDTAB SPB8N500	43E <hex>	
		DATA_UPDTAB SPB8N500	12000002 <hex>	
		DATA_UPDTAB SPB8N500	1 <hex>	
		DATA_UPDTAB SPB8N500	400000F1 <hex>	
		DATA_UPDTAB SPB8N500	9000006 <hex>	
		DATA_UPDTAB SPB8N500	1000000 <hex>	
		DATA_UPDTAB SPB8N500	80007D0 <hex>	
		DATA_UPDTAB SPB8N500	1000001 <hex>	
		DATA_UPDTAB SPB8N500	9000003 <hex>	
		DATA_UPDTAB SPB8N500	11000014 <hex>	
		DATA_UPDTAB SPB8N500	3214FF79 <hex>	
		DATA_UPDTAB SPB8N500	32080002 <hex>	
		DATA_UPDTAB SPB8N500	30000008 <hex>	
		DATA_UPDTAB SPB8N500	12000000 <hex>	
		DATA_UPDTAB SPB8N500	0 <hex>	

SPIRE ON, DPU_START - Switch ON the redundant SPIRE units
 File: H_COP_SPI_RSON.xls
 Author: L.Lucas-hp



Step No.	Time	Activity/Remarks	TC/TLM	Display/ Branch
		DATA_UPDTAB SPB8N500	12000001 <hex>	
		DATA_UPDTAB SPB8N500	43E <hex>	
		DATA_UPDTAB SPB8N500	12000002 <hex>	
		DATA_UPDTAB SPB8N500	0 <hex>	
		DATA_UPDTAB SPB8N500	400000F1 <hex>	
		DATA_UPDTAB SPB8N500	32170002 <hex>	
		DATA_UPDTAB SPB8N500	30000008 <hex>	
		DATA_UPDTAB SPB8N500	12000000 <hex>	
		DATA_UPDTAB SPB8N500	1 <hex>	
		DATA_UPDTAB SPB8N500	12000001 <hex>	
		DATA_UPDTAB SPB8N500	1C1 <hex>	
		DATA_UPDTAB SPB8N500	12000002 <hex>	
		DATA_UPDTAB SPB8N500	0 <hex>	
		DATA_UPDTAB SPB8N500	400000F1 <hex>	
		DATA_UPDTAB SPB8N500	12000000 <hex>	
		TC Control Flags :		
			GBM IL DSE	

		Subsch. ID : 370		
		Det. descr. : UPDATE CONTENTS OF A TABLE		
		UPDATE_TABLE	UPDATE_TABLE	SCB02500
	ET+=00.00.01 UT+=00.00.01	Command Parameter(s) :		
		TABLEID_UPDTAB SPB5N500	64 <hex>	
		INDEX_UPDTAB SPB6N500	22C <hex>	
		N_UPDTAB SPB7N500	38 <dec>	
		DATA_UPDTAB SPB8N500	1 <hex>	
		DATA_UPDTAB SPB8N500	12000001 <hex>	
		DATA_UPDTAB SPB8N500	C3 <hex>	
		DATA_UPDTAB SPB8N500	20020028 <hex>	
		DATA_UPDTAB SPB8N500	400000F1 <hex>	
		DATA_UPDTAB SPB8N500	12000000 <hex>	
		DATA_UPDTAB SPB8N500	1 <hex>	
		DATA_UPDTAB SPB8N500	12000001 <hex>	
		DATA_UPDTAB SPB8N500	C6 <hex>	
		DATA_UPDTAB SPB8N500	12000002 <hex>	
		DATA_UPDTAB SPB8N500	1 <hex>	
		DATA_UPDTAB SPB8N500	400000F1 <hex>	
		DATA_UPDTAB SPB8N500	12000000 <hex>	
		DATA_UPDTAB SPB8N500	0 <hex>	
		DATA_UPDTAB SPB8N500	80007D0 <hex>	
		DATA_UPDTAB SPB8N500	1000000 <hex>	

SPIRE ON, DPU_START - Switch ON the redundant SPIRE units
 File: H_COP_SPI_RSON.xls
 Author: L.Lucas-hp



Step No.	Time	Activity/Remarks	TC/TLM	Display/ Branch
		DATA_UPDTAB SPB8N500	80007D0 <hex>	
		DATA_UPDTAB SPB8N500	41000000 <hex>	
		DATA_UPDTAB SPB8N500	22140706 <hex>	
		DATA_UPDTAB SPB8N500	23141402 <hex>	
		DATA_UPDTAB SPB8N500	22150006 <hex>	
		DATA_UPDTAB SPB8N500	23151505 <hex>	
		DATA_UPDTAB SPB8N500	23151503 <hex>	
		DATA_UPDTAB SPB8N500	21160707 <hex>	
		DATA_UPDTAB SPB8N500	22161606 <hex>	
		DATA_UPDTAB SPB8N500	22161608 <hex>	
		DATA_UPDTAB SPB8N500	23161604 <hex>	
		DATA_UPDTAB SPB8N500	24161605 <hex>	
		DATA_UPDTAB SPB8N500	20170014 <hex>	
		DATA_UPDTAB SPB8N500	21171715 <hex>	
		DATA_UPDTAB SPB8N500	21171716 <hex>	
		TC Control Flags :		
			GBM IL DSE	
			--- -- ---	
		Subsch. ID : 370		
		Det. descr. : UPDATE CONTENTS OF A TABLE		
	ET=+00.00.01 UT=+00.00.01	UPDATE_TABLE	UPDATE_TABLE	SCB02500
		Command Parameter(s) :		
		TABLEID_UPDTAB SPB5N500	64 <hex>	
		INDEX_UPDTAB SPB6N500	252 <hex>	
		N_UPDTAB SPB7N500	14 <dec>	
		DATA_UPDTAB SPB8N500	1A170010 <hex>	
		DATA_UPDTAB SPB8N500	21010117 <hex>	
		DATA_UPDTAB SPB8N500	12000017 <hex>	
		DATA_UPDTAB SPB8N500	0 <hex>	
		DATA_UPDTAB SPB8N500	34010017 <hex>	
		DATA_UPDTAB SPB8N500	20010017 <hex>	
		DATA_UPDTAB SPB8N500	12000017 <hex>	
		DATA_UPDTAB SPB8N500	FFFF <hex>	
		DATA_UPDTAB SPB8N500	35010017 <hex>	
		DATA_UPDTAB SPB8N500	20010017 <hex>	
		DATA_UPDTAB SPB8N500	12000000 <hex>	
		DATA_UPDTAB SPB8N500	0 <hex>	
		DATA_UPDTAB SPB8N500	41000000 <hex>	
		DATA_UPDTAB SPB8N500	7F000000 <hex>	
		TC Control Flags :		
			GBM IL DSE	
			--- -- ---	
		Subsch. ID : 370		
		Det. descr. : UPDATE CONTENTS OF A TABLE		

SPIRE ON, DPU_START - Switch ON the redundant SPIRE units
 File: H_COP_SPI_RSON.xls
 Author: L.Lucas-hp



Step No.	Time	Activity/Remarks	TC/TLM	Display/ Branch																																																																		
	ET=+00.00.02 UT=+00.00.02	SET_TABLE Command Parameter(s) : <table border="0"> <tr> <td>TABLEID_SETTAB</td> <td>SPB0N500</td> <td>32 <hex></td> </tr> <tr> <td>TABLESIZE_SETTAB</td> <td>SPB1N500</td> <td>11 <hex></td> </tr> </table> TC Control Flags : <table border="0"> <tr> <td></td> <td>GBM IL DSE</td> <td></td> </tr> <tr> <td></td> <td>---</td> <td></td> </tr> </table> Subsch. ID : 370 Det. descr. : SET SPACE FOR A TABLE	TABLEID_SETTAB	SPB0N500	32 <hex>	TABLESIZE_SETTAB	SPB1N500	11 <hex>		GBM IL DSE			---		SET_TABLE SCB00500 32 <hex> 11 <hex>																																																							
TABLEID_SETTAB	SPB0N500	32 <hex>																																																																				
TABLESIZE_SETTAB	SPB1N500	11 <hex>																																																																				
	GBM IL DSE																																																																					

	ET=+00.00.01 UT=+00.00.01	UPDATE_TABLE Command Parameter(s) : <table border="0"> <tr> <td>TABLEID_UPDTAB</td> <td>SPB5N500</td> <td>32 <hex></td> </tr> <tr> <td>INDEX_UPDTAB</td> <td>SPB6N500</td> <td>0 <hex></td> </tr> <tr> <td>N_UPDTAB</td> <td>SPB7N500</td> <td>17 <dec></td> </tr> <tr> <td>DATA_UPDTAB</td> <td>SPB8N500</td> <td>95675DC1 <hex></td> </tr> <tr> <td>DATA_UPDTAB</td> <td>SPB8N500</td> <td>9567BBBD <hex></td> </tr> <tr> <td>DATA_UPDTAB</td> <td>SPB8N500</td> <td>99026161 <hex></td> </tr> <tr> <td>DATA_UPDTAB</td> <td>SPB8N500</td> <td>9902BF11 <hex></td> </tr> <tr> <td>DATA_UPDTAB</td> <td>SPB8N500</td> <td>9C9C5DC1 <hex></td> </tr> <tr> <td>DATA_UPDTAB</td> <td>SPB8N500</td> <td>9C9CBBBD <hex></td> </tr> <tr> <td>DATA_UPDTAB</td> <td>SPB8N500</td> <td>A0376161 <hex></td> </tr> <tr> <td>DATA_UPDTAB</td> <td>SPB8N500</td> <td>A037BF11 <hex></td> </tr> <tr> <td>DATA_UPDTAB</td> <td>SPB8N500</td> <td>9C9C6515 <hex></td> </tr> <tr> <td>DATA_UPDTAB</td> <td>SPB8N500</td> <td>9C9CC247 <hex></td> </tr> <tr> <td>DATA_UPDTAB</td> <td>SPB8N500</td> <td>95676515 <hex></td> </tr> <tr> <td>DATA_UPDTAB</td> <td>SPB8N500</td> <td>9567C247 <hex></td> </tr> <tr> <td>DATA_UPDTAB</td> <td>SPB8N500</td> <td>91CC6161 <hex></td> </tr> <tr> <td>DATA_UPDTAB</td> <td>SPB8N500</td> <td>91CCBF11 <hex></td> </tr> <tr> <td>DATA_UPDTAB</td> <td>SPB8N500</td> <td>95675DC1 <hex></td> </tr> <tr> <td>DATA_UPDTAB</td> <td>SPB8N500</td> <td>9567BBBD <hex></td> </tr> <tr> <td>DATA_UPDTAB</td> <td>SPB8N500</td> <td>7F000000 <hex></td> </tr> </table> TC Control Flags : <table border="0"> <tr> <td></td> <td>GBM IL DSE</td> <td></td> </tr> <tr> <td></td> <td>---</td> <td></td> </tr> </table> Subsch. ID : 370 Det. descr. : UPDATE CONTENTS OF A TABLE	TABLEID_UPDTAB	SPB5N500	32 <hex>	INDEX_UPDTAB	SPB6N500	0 <hex>	N_UPDTAB	SPB7N500	17 <dec>	DATA_UPDTAB	SPB8N500	95675DC1 <hex>	DATA_UPDTAB	SPB8N500	9567BBBD <hex>	DATA_UPDTAB	SPB8N500	99026161 <hex>	DATA_UPDTAB	SPB8N500	9902BF11 <hex>	DATA_UPDTAB	SPB8N500	9C9C5DC1 <hex>	DATA_UPDTAB	SPB8N500	9C9CBBBD <hex>	DATA_UPDTAB	SPB8N500	A0376161 <hex>	DATA_UPDTAB	SPB8N500	A037BF11 <hex>	DATA_UPDTAB	SPB8N500	9C9C6515 <hex>	DATA_UPDTAB	SPB8N500	9C9CC247 <hex>	DATA_UPDTAB	SPB8N500	95676515 <hex>	DATA_UPDTAB	SPB8N500	9567C247 <hex>	DATA_UPDTAB	SPB8N500	91CC6161 <hex>	DATA_UPDTAB	SPB8N500	91CCBF11 <hex>	DATA_UPDTAB	SPB8N500	95675DC1 <hex>	DATA_UPDTAB	SPB8N500	9567BBBD <hex>	DATA_UPDTAB	SPB8N500	7F000000 <hex>		GBM IL DSE			---		UPDATE_TABLE SCB02500 32 <hex> 0 <hex> 17 <dec> 95675DC1 <hex> 9567BBBD <hex> 99026161 <hex> 9902BF11 <hex> 9C9C5DC1 <hex> 9C9CBBBD <hex> A0376161 <hex> A037BF11 <hex> 9C9C6515 <hex> 9C9CC247 <hex> 95676515 <hex> 9567C247 <hex> 91CC6161 <hex> 91CCBF11 <hex> 95675DC1 <hex> 9567BBBD <hex> 7F000000 <hex>	
TABLEID_UPDTAB	SPB5N500	32 <hex>																																																																				
INDEX_UPDTAB	SPB6N500	0 <hex>																																																																				
N_UPDTAB	SPB7N500	17 <dec>																																																																				
DATA_UPDTAB	SPB8N500	95675DC1 <hex>																																																																				
DATA_UPDTAB	SPB8N500	9567BBBD <hex>																																																																				
DATA_UPDTAB	SPB8N500	99026161 <hex>																																																																				
DATA_UPDTAB	SPB8N500	9902BF11 <hex>																																																																				
DATA_UPDTAB	SPB8N500	9C9C5DC1 <hex>																																																																				
DATA_UPDTAB	SPB8N500	9C9CBBBD <hex>																																																																				
DATA_UPDTAB	SPB8N500	A0376161 <hex>																																																																				
DATA_UPDTAB	SPB8N500	A037BF11 <hex>																																																																				
DATA_UPDTAB	SPB8N500	9C9C6515 <hex>																																																																				
DATA_UPDTAB	SPB8N500	9C9CC247 <hex>																																																																				
DATA_UPDTAB	SPB8N500	95676515 <hex>																																																																				
DATA_UPDTAB	SPB8N500	9567C247 <hex>																																																																				
DATA_UPDTAB	SPB8N500	91CC6161 <hex>																																																																				
DATA_UPDTAB	SPB8N500	91CCBF11 <hex>																																																																				
DATA_UPDTAB	SPB8N500	95675DC1 <hex>																																																																				
DATA_UPDTAB	SPB8N500	9567BBBD <hex>																																																																				
DATA_UPDTAB	SPB8N500	7F000000 <hex>																																																																				
	GBM IL DSE																																																																					

	ET=+00.00.02 UT=+00.00.02	SET_TABLE Command Parameter(s) : <table border="0"> <tr> <td>TABLEID_SETTAB</td> <td>SPB0N500</td> <td>33 <hex></td> </tr> <tr> <td>TABLESIZE_SETTAB</td> <td>SPB1N500</td> <td>81 <hex></td> </tr> </table> TC Control Flags : <table border="0"> <tr> <td></td> <td>GBM IL DSE</td> <td></td> </tr> <tr> <td></td> <td>---</td> <td></td> </tr> </table> Subsch. ID : 370 Det. descr. : SET SPACE FOR A TABLE	TABLEID_SETTAB	SPB0N500	33 <hex>	TABLESIZE_SETTAB	SPB1N500	81 <hex>		GBM IL DSE			---		SET_TABLE SCB00500 33 <hex> 81 <hex>																																																							
TABLEID_SETTAB	SPB0N500	33 <hex>																																																																				
TABLESIZE_SETTAB	SPB1N500	81 <hex>																																																																				
	GBM IL DSE																																																																					

SPIRE ON, DPU_START - Switch ON the redundant SPIRE units
 File: H_COP_SPI_RSON.xls
 Author: L.Lucas-hp



Step No.	Time	Activity/Remarks	TC/TLM	Display/ Branch
		DATA_UPDTAB SPB8N500	7000 <hex>	
		DATA_UPDTAB SPB8N500	63FD000A <hex>	
		DATA_UPDTAB SPB8N500	2000000 <hex>	
		DATA_UPDTAB SPB8N500	12000000 <hex>	
		DATA_UPDTAB SPB8N500	0 <hex>	
		DATA_UPDTAB SPB8N500	12000001 <hex>	
		DATA_UPDTAB SPB8N500	C13 <hex>	
		DATA_UPDTAB SPB8N500	40000179 <hex>	
		DATA_UPDTAB SPB8N500	18000000 <hex>	
		DATA_UPDTAB SPB8N500	3F <hex>	
		DATA_UPDTAB SPB8N500	41300 <hex>	
		DATA_UPDTAB SPB8N500	84140000 <hex>	
		DATA_UPDTAB SPB8N500	84120000 <hex>	
		DATA_UPDTAB SPB8N500	84050000 <hex>	
		DATA_UPDTAB SPB8N500	84060000 <hex>	
		TC Control Flags :		
			GBM IL DSE	

		Subsch. ID : 370		
		Det. descr. : UPDATE CONTENTS OF A TABLE		
		UPDATE_TABLE	UPDATE_TABLE	SCB02500
	ET=+00.00.01 UT=+00.00.01	Command Parameter(s) :		
		TABLEID_UPDTAB SPB5N500	66 <hex>	
		INDEX_UPDTAB SPB6N500	B0 <hex>	
		N_UPDTAB SPB7N500	38 <dec>	
		DATA_UPDTAB SPB8N500	84070000 <hex>	
		DATA_UPDTAB SPB8N500	84080000 <hex>	
		DATA_UPDTAB SPB8N500	84090000 <hex>	
		DATA_UPDTAB SPB8N500	840A0000 <hex>	
		DATA_UPDTAB SPB8N500	18000000 <hex>	
		DATA_UPDTAB SPB8N500	30 <hex>	
		DATA_UPDTAB SPB8N500	41300 <hex>	
		DATA_UPDTAB SPB8N500	840B0000 <hex>	
		DATA_UPDTAB SPB8N500	840C0000 <hex>	
		DATA_UPDTAB SPB8N500	840D0000 <hex>	
		DATA_UPDTAB SPB8N500	840E0000 <hex>	
		DATA_UPDTAB SPB8N500	84130000 <hex>	
		DATA_UPDTAB SPB8N500	840F0000 <hex>	
		DATA_UPDTAB SPB8N500	84100000 <hex>	
		DATA_UPDTAB SPB8N500	841A0000 <hex>	
		DATA_UPDTAB SPB8N500	841B0000 <hex>	
		DATA_UPDTAB SPB8N500	841C0000 <hex>	
		DATA_UPDTAB SPB8N500	841D0000 <hex>	
		DATA_UPDTAB SPB8N500	84010000 <hex>	
		DATA_UPDTAB SPB8N500	84020000 <hex>	
		DATA_UPDTAB SPB8N500	84030000 <hex>	
		DATA_UPDTAB SPB8N500	84040000 <hex>	
		DATA_UPDTAB SPB8N500	12000000 <hex>	

SPIRE ON, DPU_START - Switch ON the redundant SPIRE units
 File: H_COP_SPI_RSON.xls
 Author: L.Lucas-hp



Step No.	Time	Activity/Remarks	TC/TLM	Display/ Branch
		DATA_UPDTAB SPB8N500	2 <hex>	
		DATA_UPDTAB SPB8N500	12000001 <hex>	
		DATA_UPDTAB SPB8N500	887 <hex>	
		DATA_UPDTAB SPB8N500	40000179 <hex>	
		DATA_UPDTAB SPB8N500	18000000 <hex>	
		DATA_UPDTAB SPB8N500	6 <hex>	
		DATA_UPDTAB SPB8N500	208700 <hex>	
		DATA_UPDTAB SPB8N500	12000000 <hex>	
		DATA_UPDTAB SPB8N500	0 <hex>	
		DATA_UPDTAB SPB8N500	12000001 <hex>	
		DATA_UPDTAB SPB8N500	C37 <hex>	
		DATA_UPDTAB SPB8N500	40000179 <hex>	
		DATA_UPDTAB SPB8N500	18000000 <hex>	
		DATA_UPDTAB SPB8N500	1 <hex>	
		DATA_UPDTAB SPB8N500	43700 <hex>	
		TC Control Flags :		
			GBM IL DSE	

		Subsch. ID : 370		
		Det. descr. : UPDATE CONTENTS OF A TABLE		
		UPDATE_TABLE	UPDATE_TABLE	SCB02500
	ET=+00.00.01 UT=+00.00.01	Command Parameter(s) :		
		TABLEID_UPDTAB SPB5N500	66 <hex>	
		INDEX_UPDTAB SPB6N500	D6 <hex>	
		N_UPDTAB SPB7N500	38 <dec>	
		DATA_UPDTAB SPB8N500	84350000 <hex>	
		DATA_UPDTAB SPB8N500	84360000 <hex>	
		DATA_UPDTAB SPB8N500	84370000 <hex>	
		DATA_UPDTAB SPB8N500	84340000 <hex>	
		DATA_UPDTAB SPB8N500	843A0000 <hex>	
		DATA_UPDTAB SPB8N500	843B0000 <hex>	
		DATA_UPDTAB SPB8N500	84310000 <hex>	
		DATA_UPDTAB SPB8N500	84320000 <hex>	
		DATA_UPDTAB SPB8N500	12000000 <hex>	
		DATA_UPDTAB SPB8N500	2 <hex>	
		DATA_UPDTAB SPB8N500	12000001 <hex>	
		DATA_UPDTAB SPB8N500	887 <hex>	
		DATA_UPDTAB SPB8N500	40000179 <hex>	
		DATA_UPDTAB SPB8N500	18000000 <hex>	
		DATA_UPDTAB SPB8N500	4 <hex>	
		DATA_UPDTAB SPB8N500	208700 <hex>	
		DATA_UPDTAB SPB8N500	90490000 <hex>	
		DATA_UPDTAB SPB8N500	90440006 <hex>	
		DATA_UPDTAB SPB8N500	90400000 <hex>	
		DATA_UPDTAB SPB8N500	90410000 <hex>	
		DATA_UPDTAB SPB8N500	90C38000 <hex>	
		DATA_UPDTAB SPB8N500	91438000 <hex>	
		DATA_UPDTAB SPB8N500	90C20003 <hex>	

SPIRE ON, DPU_START - Switch ON the redundant SPIRE units
 File: H_COP_SPI_RSON.xls
 Author: L.Lucas-hp



Step No.	Time	Activity/Remarks	TC/TLM	Display/ Branch
		DATA_UPDTAB SPB8N500	91420003 <hex>	
		DATA_UPDTAB SPB8N500	90C00000 <hex>	
		DATA_UPDTAB SPB8N500	91400000 <hex>	
		DATA_UPDTAB SPB8N500	41000000 <hex>	
		DATA_UPDTAB SPB8N500	41000000 <hex>	
		DATA_UPDTAB SPB8N500	80007D0 <hex>	
		DATA_UPDTAB SPB8N500	2000000 <hex>	
		DATA_UPDTAB SPB8N500	40000098 <hex>	
		DATA_UPDTAB SPB8N500	A0870000 <hex>	
		DATA_UPDTAB SPB8N500	A0850000 <hex>	
		DATA_UPDTAB SPB8N500	A0860000 <hex>	
		DATA_UPDTAB SPB8N500	A0C40000 <hex>	
		DATA_UPDTAB SPB8N500	A0C50000 <hex>	
		DATA_UPDTAB SPB8N500	A0C60000 <hex>	
		DATA_UPDTAB SPB8N500	A0C70000 <hex>	
		TC Control Flags :		
			GBM IL DSE	

		Subsch. ID : 370		
		Det. descr. : UPDATE CONTENTS OF A TABLE		
		UPDATE_TABLE	UPDATE_TABLE	SCB02500
	ET+=00.00.01 UT+=00.00.01	Command Parameter(s) :		
		TABLEID_UPDTAB SPB5N500	66 <hex>	
		INDEX_UPDTAB SPB6N500	FC <hex>	
		N_UPDTAB SPB7N500	38 <dec>	
		DATA_UPDTAB SPB8N500	A0C80000 <hex>	
		DATA_UPDTAB SPB8N500	A0CA0000 <hex>	
		DATA_UPDTAB SPB8N500	A0CC0000 <hex>	
		DATA_UPDTAB SPB8N500	41000000 <hex>	
		DATA_UPDTAB SPB8N500	120000FD <hex>	
		DATA_UPDTAB SPB8N500	100 <hex>	
		DATA_UPDTAB SPB8N500	12000000 <hex>	
		DATA_UPDTAB SPB8N500	3 <hex>	
		DATA_UPDTAB SPB8N500	12000001 <hex>	
		DATA_UPDTAB SPB8N500	1900 <hex>	
		DATA_UPDTAB SPB8N500	12000002 <hex>	
		DATA_UPDTAB SPB8N500	301 <hex>	
		DATA_UPDTAB SPB8N500	12000003 <hex>	
		DATA_UPDTAB SPB8N500	0 <hex>	
		DATA_UPDTAB SPB8N500	63FD000F <hex>	
		DATA_UPDTAB SPB8N500	41000000 <hex>	
		DATA_UPDTAB SPB8N500	120000FD <hex>	
		DATA_UPDTAB SPB8N500	100 <hex>	
		DATA_UPDTAB SPB8N500	63FD001E <hex>	
		DATA_UPDTAB SPB8N500	7F000000 <hex>	
		DATA_UPDTAB SPB8N500	120000FD <hex>	
		DATA_UPDTAB SPB8N500	100 <hex>	
		DATA_UPDTAB SPB8N500	120000FF <hex>	

SPIRE ON, DPU_START - Switch ON the redundant SPIRE units
 File: H_COP_SPI_RSON.xls
 Author: L.Lucas-hp



Step No.	Time	Activity/Remarks	TC/TLM	Display/ Branch
		DATA_UPDTAB SPB8N500	0 <hex>	
		DATA_UPDTAB SPB8N500	12000000 <hex>	
		DATA_UPDTAB SPB8N500	122 <hex>	
		DATA_UPDTAB SPB8N500	61060001 <hex>	
		DATA_UPDTAB SPB8N500	12000000 <hex>	
		DATA_UPDTAB SPB8N500	3 <hex>	
		DATA_UPDTAB SPB8N500	12000001 <hex>	
		DATA_UPDTAB SPB8N500	1900 <hex>	
		DATA_UPDTAB SPB8N500	12000002 <hex>	
		DATA_UPDTAB SPB8N500	301 <hex>	
		DATA_UPDTAB SPB8N500	12000003 <hex>	
		DATA_UPDTAB SPB8N500	1 <hex>	
		DATA_UPDTAB SPB8N500	63FD000F <hex>	
		DATA_UPDTAB SPB8N500	4000014B <hex>	
		DATA_UPDTAB SPB8N500	7F000000 <hex>	
		TC Control Flags :		
			GBM IL DSE	

		Subsch. ID : 370		
		Det. descr. : UPDATE CONTENTS OF A TABLE		
		UPDATE_TABLE	UPDATE_TABLE	SCB02500
	ET=+00.00.01 UT=+00.00.01	Command Parameter(s) :		
		TABLEID_UPDTAB SPB5N500	66 <hex>	
		INDEX_UPDTAB SPB6N500	122 <hex>	
		N_UPDTAB SPB7N500	38 <dec>	
		DATA_UPDTAB SPB8N500	0 <hex>	
		DATA_UPDTAB SPB8N500	120000FD <hex>	
		DATA_UPDTAB SPB8N500	100 <hex>	
		DATA_UPDTAB SPB8N500	63FD000E <hex>	
		DATA_UPDTAB SPB8N500	7F000000 <hex>	
		DATA_UPDTAB SPB8N500	12000001 <hex>	
		DATA_UPDTAB SPB8N500	171 <hex>	
		DATA_UPDTAB SPB8N500	20020000 <hex>	
		DATA_UPDTAB SPB8N500	18000002 <hex>	
		DATA_UPDTAB SPB8N500	6 <hex>	
		DATA_UPDTAB SPB8N500	34000002 <hex>	
		DATA_UPDTAB SPB8N500	30000007 <hex>	
		DATA_UPDTAB SPB8N500	120000FF <hex>	
		DATA_UPDTAB SPB8N500	8 <hex>	
		DATA_UPDTAB SPB8N500	61060102 <hex>	
		DATA_UPDTAB SPB8N500	120000FF <hex>	
		DATA_UPDTAB SPB8N500	D <hex>	
		DATA_UPDTAB SPB8N500	61060103 <hex>	
		DATA_UPDTAB SPB8N500	20020000 <hex>	
		DATA_UPDTAB SPB8N500	18000002 <hex>	
		DATA_UPDTAB SPB8N500	5 <hex>	
		DATA_UPDTAB SPB8N500	34000002 <hex>	
		DATA_UPDTAB SPB8N500	30000007 <hex>	

SPIRE ON, DPU_START - Switch ON the redundant SPIRE units
 File: H_COP_SPI_RSON.xls
 Author: L.Lucas-hp



Step No.	Time	Activity/Remarks	TC/TLM	Display/ Branch
		DATA_UPDTAB SPB8N500	120000FF <hex>	
		DATA_UPDTAB SPB8N500	10 <hex>	
		DATA_UPDTAB SPB8N500	61060102 <hex>	
		DATA_UPDTAB SPB8N500	120000FF <hex>	
		DATA_UPDTAB SPB8N500	15 <hex>	
		DATA_UPDTAB SPB8N500	61060103 <hex>	
		DATA_UPDTAB SPB8N500	20020000 <hex>	
		DATA_UPDTAB SPB8N500	18000002 <hex>	
		DATA_UPDTAB SPB8N500	3 <hex>	
		DATA_UPDTAB SPB8N500	34000002 <hex>	
		DATA_UPDTAB SPB8N500	30000007 <hex>	
		DATA_UPDTAB SPB8N500	120000FF <hex>	
		DATA_UPDTAB SPB8N500	18 <hex>	
		DATA_UPDTAB SPB8N500	61060102 <hex>	
		DATA_UPDTAB SPB8N500	120000FF <hex>	
		TC Control Flags :		
			GBM IL DSE	

		Subsch. ID : 370		
		Det. descr. : UPDATE CONTENTS OF A TABLE		
		UPDATE_TABLE	UPDATE_TABLE	SCB02500
	ET=+00.00.01 UT=+00.00.01	Command Parameter(s) :		
		TABLEID_UPDTAB SPB5N500	66 <hex>	
		INDEX_UPDTAB SPB6N500	148 <hex>	
		N_UPDTAB SPB7N500	38 <dec>	
		DATA_UPDTAB SPB8N500	1D <hex>	
		DATA_UPDTAB SPB8N500	61060103 <hex>	
		DATA_UPDTAB SPB8N500	41000000 <hex>	
		DATA_UPDTAB SPB8N500	12000001 <hex>	
		DATA_UPDTAB SPB8N500	174 <hex>	
		DATA_UPDTAB SPB8N500	12000002 <hex>	
		DATA_UPDTAB SPB8N500	176 <hex>	
		DATA_UPDTAB SPB8N500	20030000 <hex>	
		DATA_UPDTAB SPB8N500	18000003 <hex>	
		DATA_UPDTAB SPB8N500	6 <hex>	
		DATA_UPDTAB SPB8N500	34000003 <hex>	
		DATA_UPDTAB SPB8N500	30000007 <hex>	
		DATA_UPDTAB SPB8N500	120000FF <hex>	
		DATA_UPDTAB SPB8N500	8 <hex>	
		DATA_UPDTAB SPB8N500	61060102 <hex>	
		DATA_UPDTAB SPB8N500	120000FF <hex>	
		DATA_UPDTAB SPB8N500	D <hex>	
		DATA_UPDTAB SPB8N500	61060203 <hex>	
		DATA_UPDTAB SPB8N500	20030000 <hex>	
		DATA_UPDTAB SPB8N500	18000003 <hex>	
		DATA_UPDTAB SPB8N500	5 <hex>	
		DATA_UPDTAB SPB8N500	34000003 <hex>	
		DATA_UPDTAB SPB8N500	30000007 <hex>	

SPIRE ON, DPU_START - Switch ON the redundant SPIRE units
 File: H_COP_SPI_RSON.xls
 Author: L.Lucas-hp



Step No.	Time	Activity/Remarks	TC/TLM	Display/ Branch
		DATA_UPDTAB SPB8N500	120000FF <hex>	
		DATA_UPDTAB SPB8N500	10 <hex>	
		DATA_UPDTAB SPB8N500	61060102 <hex>	
		DATA_UPDTAB SPB8N500	120000FF <hex>	
		DATA_UPDTAB SPB8N500	15 <hex>	
		DATA_UPDTAB SPB8N500	61060203 <hex>	
		DATA_UPDTAB SPB8N500	20030000 <hex>	
		DATA_UPDTAB SPB8N500	18000003 <hex>	
		DATA_UPDTAB SPB8N500	3 <hex>	
		DATA_UPDTAB SPB8N500	34000003 <hex>	
		DATA_UPDTAB SPB8N500	30000007 <hex>	
		DATA_UPDTAB SPB8N500	120000FF <hex>	
		DATA_UPDTAB SPB8N500	18 <hex>	
		DATA_UPDTAB SPB8N500	61060102 <hex>	
		DATA_UPDTAB SPB8N500	120000FF <hex>	
		TC Control Flags :		
			GBM IL DSE	

		Subsch. ID : 370		
		Det. descr. : UPDATE CONTENTS OF A TABLE		
		UPDATE_TABLE	UPDATE_TABLE	SCB02500
	ET=+00.00.01 UT=+00.00.01	Command Parameter(s) :		
		TABLEID_UPDTAB SPB5N500	66 <hex>	
		INDEX_UPDTAB SPB6N500	16E <hex>	
		N_UPDTAB SPB7N500	35 <dec>	
		DATA_UPDTAB SPB8N500	1D <hex>	
		DATA_UPDTAB SPB8N500	61060203 <hex>	
		DATA_UPDTAB SPB8N500	41000000 <hex>	
		DATA_UPDTAB SPB8N500	FFFFFFFF <hex>	
		DATA_UPDTAB SPB8N500	FFFFFFFF <hex>	
		DATA_UPDTAB SPB8N500	FFFFFFFF <hex>	
		DATA_UPDTAB SPB8N500	3 <hex>	
		DATA_UPDTAB SPB8N500	3 <hex>	
		DATA_UPDTAB SPB8N500	FFFFFFFF <hex>	
		DATA_UPDTAB SPB8N500	FFFFFFFF <hex>	
		DATA_UPDTAB SPB8N500	FFFFFFFF <hex>	
		DATA_UPDTAB SPB8N500	18000000 <hex>	
		DATA_UPDTAB SPB8N500	F <hex>	
		DATA_UPDTAB SPB8N500	1B00001C <hex>	
		DATA_UPDTAB SPB8N500	18000000 <hex>	
		DATA_UPDTAB SPB8N500	F0000000 <hex>	
		DATA_UPDTAB SPB8N500	18000001 <hex>	
		DATA_UPDTAB SPB8N500	FFF <hex>	
		DATA_UPDTAB SPB8N500	1B010010 <hex>	
		DATA_UPDTAB SPB8N500	18000001 <hex>	
		DATA_UPDTAB SPB8N500	FFF00000 <hex>	
		DATA_UPDTAB SPB8N500	21000001 <hex>	
		DATA_UPDTAB SPB8N500	19000000 <hex>	

SPIRE ON, DPU_START - Switch ON the redundant SPIRE units
 File: H_COP_SPI_RSON.xls
 Author: L.Lucas-hp



Step No.	Time	Activity/Remarks	TC/TLM	Display/ Branch
		DATA_UPDTAB SPB8N500	2000000 <hex>	
		DATA_UPDTAB SPB8N500	7F000000 <hex>	
		DATA_UPDTAB SPB8N500	12000000 <hex>	
		DATA_UPDTAB SPB8N500	3006 <hex>	
		DATA_UPDTAB SPB8N500	53010000 <hex>	
		DATA_UPDTAB SPB8N500	2000000 <hex>	
		DATA_UPDTAB SPB8N500	7F000000 <hex>	
		DATA_UPDTAB SPB8N500	12000000 <hex>	
		DATA_UPDTAB SPB8N500	3007 <hex>	
		DATA_UPDTAB SPB8N500	53010000 <hex>	
		DATA_UPDTAB SPB8N500	2000000 <hex>	
		DATA_UPDTAB SPB8N500	7F000000 <hex>	
		DATA_UPDTAB SPB8N500	12000000 <hex>	
		DATA_UPDTAB SPB8N500	3008 <hex>	
		DATA_UPDTAB SPB8N500	53010000 <hex>	
		TC Control Flags :		
			GBM IL DSE	

		Subsch. ID : 370		
		Det. descr. : UPDATE CONTENTS OF A TABLE		
		UPDATE_TABLE	UPDATE_TABLE	SCB02500
	ET=+00.00.01 UT=+00.00.01	Command Parameter(s) :		
		TABLEID_UPDTAB SPB5N500	67 <hex>	
		INDEX_UPDTAB SPB6N500	8A <hex>	
		N_UPDTAB SPB7N500	38 <dec>	
		DATA_UPDTAB SPB8N500	2000000 <hex>	
		DATA_UPDTAB SPB8N500	7F000000 <hex>	
		DATA_UPDTAB SPB8N500	12000000 <hex>	
		DATA_UPDTAB SPB8N500	3009 <hex>	
		DATA_UPDTAB SPB8N500	53010000 <hex>	
		DATA_UPDTAB SPB8N500	2000000 <hex>	
		DATA_UPDTAB SPB8N500	7F000000 <hex>	
		DATA_UPDTAB SPB8N500	12000000 <hex>	
		DATA_UPDTAB SPB8N500	300A <hex>	
		DATA_UPDTAB SPB8N500	53010000 <hex>	
		DATA_UPDTAB SPB8N500	2000000 <hex>	
		DATA_UPDTAB SPB8N500	7F000000 <hex>	
		DATA_UPDTAB SPB8N500	12000000 <hex>	
		DATA_UPDTAB SPB8N500	300B <hex>	
		DATA_UPDTAB SPB8N500	53010000 <hex>	
		DATA_UPDTAB SPB8N500	2000000 <hex>	
		DATA_UPDTAB SPB8N500	7F000000 <hex>	
		DATA_UPDTAB SPB8N500	12000000 <hex>	
		DATA_UPDTAB SPB8N500	300C <hex>	
		DATA_UPDTAB SPB8N500	53010000 <hex>	
		DATA_UPDTAB SPB8N500	2000000 <hex>	
		DATA_UPDTAB SPB8N500	7F000000 <hex>	
		DATA_UPDTAB SPB8N500	12000000 <hex>	

SPIRE ON, DPU_START - Switch ON the redundant SPIRE units
 File: H_COP_SPI_RSON.xls
 Author: L.Lucas-hp



Step No.	Time	Activity/Remarks	TC/TLM	Display/ Branch
	ET=+00.00.01 UT=+00.00.01	UPDATE_TABLE		
		UPDATE_TABLE	SCB02500	
		Command Parameter(s) :		
		TABLEID_UPDTAB	SPB5N500	5 <hex>
		INDEX_UPDTAB	SPB6N500	10A <hex>
		N_UPDTAB	SPB7N500	38 <dec>
		DATA_UPDTAB	SPB8N500	0 <hex>
		DATA_UPDTAB	SPB8N500	10 <hex>
		DATA_UPDTAB	SPB8N500	A8850000 <hex>
		DATA_UPDTAB	SPB8N500	80820001 <hex>
		DATA_UPDTAB	SPB8N500	1 <hex>
		DATA_UPDTAB	SPB8N500	0 <hex>
		DATA_UPDTAB	SPB8N500	0 <hex>
		DATA_UPDTAB	SPB8N500	0 <hex>
		DATA_UPDTAB	SPB8N500	0 <hex>
		DATA_UPDTAB	SPB8N500	0 <hex>
		DATA_UPDTAB	SPB8N500	0 <hex>
		DATA_UPDTAB	SPB8N500	0 <hex>
		DATA_UPDTAB	SPB8N500	0 <hex>
		DATA_UPDTAB	SPB8N500	0 <hex>
		DATA_UPDTAB	SPB8N500	0 <hex>
		DATA_UPDTAB	SPB8N500	11 <hex>
		DATA_UPDTAB	SPB8N500	A8850000 <hex>
		DATA_UPDTAB	SPB8N500	80830001 <hex>
		DATA_UPDTAB	SPB8N500	1 <hex>
		DATA_UPDTAB	SPB8N500	0 <hex>
		DATA_UPDTAB	SPB8N500	0 <hex>
		DATA_UPDTAB	SPB8N500	0 <hex>
		DATA_UPDTAB	SPB8N500	0 <hex>
		DATA_UPDTAB	SPB8N500	0 <hex>
		DATA_UPDTAB	SPB8N500	0 <hex>
		DATA_UPDTAB	SPB8N500	0 <hex>
		DATA_UPDTAB	SPB8N500	0 <hex>
		DATA_UPDTAB	SPB8N500	0 <hex>
		DATA_UPDTAB	SPB8N500	0 <hex>
		DATA_UPDTAB	SPB8N500	0 <hex>
		DATA_UPDTAB	SPB8N500	0 <hex>
		DATA_UPDTAB	SPB8N500	0 <hex>
		DATA_UPDTAB	SPB8N500	0 <hex>
		DATA_UPDTAB	SPB8N500	0 <hex>
		DATA_UPDTAB	SPB8N500	0 <hex>
		DATA_UPDTAB	SPB8N500	12 <hex>
		DATA_UPDTAB	SPB8N500	A8850000 <hex>
		DATA_UPDTAB	SPB8N500	80840001 <hex>
		TC Control Flags :		
			GBM IL DSE	

		Subsch. ID : 370		
		Det. descr. : UPDATE CONTENTS OF A TABLE		

SPIRE ON, DPU_START - Switch ON the redundant SPIRE units
 File: H_COP_SPI_RSON.xls
 Author: L.Lucas-hp



Step No.	Time	Activity/Remarks	TC/TLM	Display/ Branch
	ET=+00.00.01 UT=+00.00.01	UPDATE_TABLE		
		UPDATE_TABLE	SCB02500	
		Command Parameter(s) :		
		TABLEID_UPDTAB SPB8N500	5 <hex>	
		INDEX_UPDTAB SPB6N500	214 <hex>	
		N_UPDTAB SPB7N500	38 <dec>	
		DATA_UPDTAB SPB8N500	C0000000 <hex>	
		DATA_UPDTAB SPB8N500	E0FF0000 <hex>	
		DATA_UPDTAB SPB8N500	C0000000 <hex>	
		DATA_UPDTAB SPB8N500	0 <hex>	
		DATA_UPDTAB SPB8N500	0 <hex>	
		DATA_UPDTAB SPB8N500	0 <hex>	
		DATA_UPDTAB SPB8N500	1 <hex>	
		DATA_UPDTAB SPB8N500	1 <hex>	
		DATA_UPDTAB SPB8N500	20 <hex>	
		DATA_UPDTAB SPB8N500	A8CF0000 <hex>	
		DATA_UPDTAB SPB8N500	C080FFFF <hex>	
		DATA_UPDTAB SPB8N500	6B23 <hex>	
		DATA_UPDTAB SPB8N500	69FC <hex>	
		DATA_UPDTAB SPB8N500	67AE <hex>	
		DATA_UPDTAB SPB8N500	6687 <hex>	
		DATA_UPDTAB SPB8N500	C0000000 <hex>	
		DATA_UPDTAB SPB8N500	C0000000 <hex>	
		DATA_UPDTAB SPB8N500	E0FF0000 <hex>	
		DATA_UPDTAB SPB8N500	C0000000 <hex>	
		DATA_UPDTAB SPB8N500	E0FF0000 <hex>	
		DATA_UPDTAB SPB8N500	C0000000 <hex>	
		DATA_UPDTAB SPB8N500	0 <hex>	
		DATA_UPDTAB SPB8N500	0 <hex>	
		DATA_UPDTAB SPB8N500	0 <hex>	
		DATA_UPDTAB SPB8N500	1 <hex>	
		DATA_UPDTAB SPB8N500	1 <hex>	
		DATA_UPDTAB SPB8N500	21 <hex>	
		DATA_UPDTAB SPB8N500	A8CE0000 <hex>	
		DATA_UPDTAB SPB8N500	C080FFFF <hex>	
		DATA_UPDTAB SPB8N500	FFFF9979 <hex>	
		DATA_UPDTAB SPB8N500	FFFF9852 <hex>	
		DATA_UPDTAB SPB8N500	FFFF9604 <hex>	
		DATA_UPDTAB SPB8N500	FFFF94DD <hex>	
		DATA_UPDTAB SPB8N500	C0000000 <hex>	
		DATA_UPDTAB SPB8N500	C0000000 <hex>	
		DATA_UPDTAB SPB8N500	E0FF0000 <hex>	
		DATA_UPDTAB SPB8N500	C0000000 <hex>	
		DATA_UPDTAB SPB8N500	E0FF0000 <hex>	
		TC Control Flags :		
			GBM IL DSE	

		Subsch. ID : 370		
		Det. descr. : UPDATE CONTENTS OF A TABLE		

SPIRE ON, DPU_START - Switch ON the redundant SPIRE units
 File: H_COP_SPI_RSON.xls
 Author: L.Lucas-hp



Step No.	Time	Activity/Remarks	TC/TLM	Display/ Branch
	ET=+00.00.01 UT=+00.00.01	UPDATE_TABLE	SCB02500	
		UPDATE_TABLE		
		Command Parameter(s) :		
		TABLEID_UPDTAB SPB5N500	5 <hex>	
		INDEX_UPDTAB SPB6N500	23A <hex>	
		N_UPDTAB SPB7N500	38 <dec>	
		DATA_UPDTAB SPB8N500	C0000000 <hex>	
		DATA_UPDTAB SPB8N500	0 <hex>	
		DATA_UPDTAB SPB8N500	0 <hex>	
		DATA_UPDTAB SPB8N500	0 <hex>	
		DATA_UPDTAB SPB8N500	1 <hex>	
		DATA_UPDTAB SPB8N500	1 <hex>	
		DATA_UPDTAB SPB8N500	22 <hex>	
		DATA_UPDTAB SPB8N500	A8D10000 <hex>	
		DATA_UPDTAB SPB8N500	C080FFFF <hex>	
		DATA_UPDTAB SPB8N500	4665 <hex>	
		DATA_UPDTAB SPB8N500	4332 <hex>	
		DATA_UPDTAB SPB8N500	3CCC <hex>	
		DATA_UPDTAB SPB8N500	3998 <hex>	
		DATA_UPDTAB SPB8N500	C0000000 <hex>	
		DATA_UPDTAB SPB8N500	C0000000 <hex>	
		DATA_UPDTAB SPB8N500	E0FF0000 <hex>	
		DATA_UPDTAB SPB8N500	C0000000 <hex>	
		DATA_UPDTAB SPB8N500	E0FF0000 <hex>	
		DATA_UPDTAB SPB8N500	E0FF0000 <hex>	
		DATA_UPDTAB SPB8N500	C0000000 <hex>	
		DATA_UPDTAB SPB8N500	0 <hex>	
		DATA_UPDTAB SPB8N500	0 <hex>	
		DATA_UPDTAB SPB8N500	0 <hex>	
		DATA_UPDTAB SPB8N500	1 <hex>	
		DATA_UPDTAB SPB8N500	1 <hex>	
		DATA_UPDTAB SPB8N500	23 <hex>	
		DATA_UPDTAB SPB8N500	99E00000 <hex>	
		DATA_UPDTAB SPB8N500	C080FFFF <hex>	
		DATA_UPDTAB SPB8N500	FFFF9C5B <hex>	
		DATA_UPDTAB SPB8N500	FFFF9BAE <hex>	
		DATA_UPDTAB SPB8N500	FFFF9A55 <hex>	
		DATA_UPDTAB SPB8N500	FFFF99A9 <hex>	
		DATA_UPDTAB SPB8N500	C0000000 <hex>	
		DATA_UPDTAB SPB8N500	C0000000 <hex>	
		DATA_UPDTAB SPB8N500	E0FF0000 <hex>	
		DATA_UPDTAB SPB8N500	C0000000 <hex>	
		DATA_UPDTAB SPB8N500	E0FF0000 <hex>	
		DATA_UPDTAB SPB8N500	C0000000 <hex>	
		DATA_UPDTAB SPB8N500	0 <hex>	
		TC Control Flags :		
			GBM IL DSE	

		Subsch. ID : 370		
		Det. descr. : UPDATE CONTENTS OF A TABLE		

SPIRE ON, DPU_START - Switch ON the redundant SPIRE units
 File: H_COP_SPI_RSON.xls
 Author: L.Lucas-hp



Step No.	Time	Activity/Remarks	TC/TLM	Display/ Branch
	ET=+00.00.01 UT=+00.00.01	UPDATE_TABLE		
		UPDATE_TABLE	SCB02500	
		Command Parameter(s) :		
		TABLEID_UPDTAB	SPB5N500	5 <hex>
		INDEX_UPDTAB	SPB6N500	260 <hex>
		N_UPDTAB	SPB7N500	38 <dec>
		DATA_UPDTAB	SPB8N500	0 <hex>
		DATA_UPDTAB	SPB8N500	0 <hex>
		DATA_UPDTAB	SPB8N500	1 <hex>
		DATA_UPDTAB	SPB8N500	2 <hex>
		DATA_UPDTAB	SPB8N500	24 <hex>
		DATA_UPDTAB	SPB8N500	99E30000 <hex>
		DATA_UPDTAB	SPB8N500	C080FFFF <hex>
		DATA_UPDTAB	SPB8N500	FFFF9B17 <hex>
		DATA_UPDTAB	SPB8N500	FFFF9AC0 <hex>
		DATA_UPDTAB	SPB8N500	FFFF9A12 <hex>
		DATA_UPDTAB	SPB8N500	FFFF99BB <hex>
		DATA_UPDTAB	SPB8N500	C0000000 <hex>
		DATA_UPDTAB	SPB8N500	C0000000 <hex>
		DATA_UPDTAB	SPB8N500	E0FF0000 <hex>
		DATA_UPDTAB	SPB8N500	C0000000 <hex>
		DATA_UPDTAB	SPB8N500	E0FF0000 <hex>
		DATA_UPDTAB	SPB8N500	C0000000 <hex>
		DATA_UPDTAB	SPB8N500	0 <hex>
		DATA_UPDTAB	SPB8N500	0 <hex>
		DATA_UPDTAB	SPB8N500	0 <hex>
		DATA_UPDTAB	SPB8N500	1 <hex>
		DATA_UPDTAB	SPB8N500	2 <hex>
		DATA_UPDTAB	SPB8N500	25 <hex>
		DATA_UPDTAB	SPB8N500	99E40000 <hex>
		DATA_UPDTAB	SPB8N500	C080FFFF <hex>
		DATA_UPDTAB	SPB8N500	6622 <hex>
		DATA_UPDTAB	SPB8N500	65CB <hex>
		DATA_UPDTAB	SPB8N500	651D <hex>
		DATA_UPDTAB	SPB8N500	64C6 <hex>
		DATA_UPDTAB	SPB8N500	C0000000 <hex>
		DATA_UPDTAB	SPB8N500	C0000000 <hex>
		DATA_UPDTAB	SPB8N500	E0FF0000 <hex>
		DATA_UPDTAB	SPB8N500	C0000000 <hex>
		DATA_UPDTAB	SPB8N500	E0FF0000 <hex>
		DATA_UPDTAB	SPB8N500	C0000000 <hex>
		DATA_UPDTAB	SPB8N500	0 <hex>
		DATA_UPDTAB	SPB8N500	0 <hex>
		DATA_UPDTAB	SPB8N500	0 <hex>
		TC Control Flags :		
			GBM IL DSE	

		Subsch. ID : 370		
		Det. descr. : UPDATE CONTENTS OF A TABLE		

SPIRE ON, DPU_START - Switch ON the redundant SPIRE units
 File: H_COP_SPI_RSON.xls
 Author: L.Lucas-hp



Step No.	Time	Activity/Remarks	TC/TLM	Display/ Branch
	ET=+00.00.01 UT=+00.00.01	UPDATE_TABLE	SCB02500	
		UPDATE_TABLE		
		Command Parameter(s) :		
		TABLEID_UPDTAB SPB5N500	5 <hex>	
		INDEX_UPDTAB SPB6N500	286 <hex>	
		N_UPDTAB SPB7N500	38 <dec>	
		DATA_UPDTAB SPB8N500	1 <hex>	
		DATA_UPDTAB SPB8N500	2 <hex>	
		DATA_UPDTAB SPB8N500	26 <hex>	
		DATA_UPDTAB SPB8N500	99E10000 <hex>	
		DATA_UPDTAB SPB8N500	C080FFFF <hex>	
		DATA_UPDTAB SPB8N500	FFFF98B6 <hex>	
		DATA_UPDTAB SPB8N500	FFFF985F <hex>	
		DATA_UPDTAB SPB8N500	FFFF97B1 <hex>	
		DATA_UPDTAB SPB8N500	FFFF975A <hex>	
		DATA_UPDTAB SPB8N500	C0000000 <hex>	
		DATA_UPDTAB SPB8N500	C0000000 <hex>	
		DATA_UPDTAB SPB8N500	E0FF0000 <hex>	
		DATA_UPDTAB SPB8N500	C0000000 <hex>	
		DATA_UPDTAB SPB8N500	E0FF0000 <hex>	
		DATA_UPDTAB SPB8N500	C0000000 <hex>	
		DATA_UPDTAB SPB8N500	0 <hex>	
		DATA_UPDTAB SPB8N500	0 <hex>	
		DATA_UPDTAB SPB8N500	0 <hex>	
		DATA_UPDTAB SPB8N500	1 <hex>	
		DATA_UPDTAB SPB8N500	2 <hex>	
		DATA_UPDTAB SPB8N500	27 <hex>	
		DATA_UPDTAB SPB8N500	99E20000 <hex>	
		DATA_UPDTAB SPB8N500	C080FFFF <hex>	
		DATA_UPDTAB SPB8N500	6813 <hex>	
		DATA_UPDTAB SPB8N500	67C4 <hex>	
		DATA_UPDTAB SPB8N500	6716 <hex>	
		DATA_UPDTAB SPB8N500	66BF <hex>	
		DATA_UPDTAB SPB8N500	C0000000 <hex>	
		DATA_UPDTAB SPB8N500	C0000000 <hex>	
		DATA_UPDTAB SPB8N500	E0FF0000 <hex>	
		DATA_UPDTAB SPB8N500	C0000000 <hex>	
		DATA_UPDTAB SPB8N500	E0FF0000 <hex>	
		DATA_UPDTAB SPB8N500	C0000000 <hex>	
		DATA_UPDTAB SPB8N500	0 <hex>	
		DATA_UPDTAB SPB8N500	0 <hex>	
		DATA_UPDTAB SPB8N500	0 <hex>	
		DATA_UPDTAB SPB8N500	1 <hex>	
		DATA_UPDTAB SPB8N500	2 <hex>	
		TC Control Flags :		
			GBM IL DSE	

		Subsch. ID : 370		
		Det. descr. : UPDATE CONTENTS OF A TABLE		

SPIRE ON, DPU_START - Switch ON the redundant SPIRE units
 File: H_COP_SPI_RSON.xls
 Author: L.Lucas-hp



Step No.	Time	Activity/Remarks	TC/TLM	Display/ Branch
	ET=+00.00.01 UT=+00.00.01	UPDATE_TABLE UPDATE_TABLE	SCB02500	
		Command Parameter(s) :		
		TABLEID_UPDTAB SPB8N500	5 <hex>	
		INDEX_UPDTAB SPB6N500	2AC <hex>	
		N_UPDTAB SPB7N500	38 <dec>	
		DATA_UPDTAB SPB8N500	28 <hex>	
		DATA_UPDTAB SPB8N500	8C3F000E <hex>	
		DATA_UPDTAB SPB8N500	C080FFFF <hex>	
		DATA_UPDTAB SPB8N500	FFFFAD40 <hex>	
		DATA_UPDTAB SPB8N500	FFFFAC66 <hex>	
		DATA_UPDTAB SPB8N500	FFFAAB1 <hex>	
		DATA_UPDTAB SPB8N500	FFFA9D6 <hex>	
		DATA_UPDTAB SPB8N500	C0000000 <hex>	
		DATA_UPDTAB SPB8N500	C0000000 <hex>	
		DATA_UPDTAB SPB8N500	E0FF0000 <hex>	
		DATA_UPDTAB SPB8N500	C0000000 <hex>	
		DATA_UPDTAB SPB8N500	E0FF0000 <hex>	
		DATA_UPDTAB SPB8N500	C0000000 <hex>	
		DATA_UPDTAB SPB8N500	0 <hex>	
		DATA_UPDTAB SPB8N500	0 <hex>	
		DATA_UPDTAB SPB8N500	0 <hex>	
		DATA_UPDTAB SPB8N500	1 <hex>	
		DATA_UPDTAB SPB8N500	1 <hex>	
		DATA_UPDTAB SPB8N500	29 <hex>	
		DATA_UPDTAB SPB8N500	8C3F000F <hex>	
		DATA_UPDTAB SPB8N500	C080FFFF <hex>	
		DATA_UPDTAB SPB8N500	FFFFCE89 <hex>	
		DATA_UPDTAB SPB8N500	FFFCDAF <hex>	
		DATA_UPDTAB SPB8N500	FFFCBFA <hex>	
		DATA_UPDTAB SPB8N500	FFFCB1F <hex>	
		DATA_UPDTAB SPB8N500	C0000000 <hex>	
		DATA_UPDTAB SPB8N500	C0000000 <hex>	
		DATA_UPDTAB SPB8N500	E0FF0000 <hex>	
		DATA_UPDTAB SPB8N500	C0000000 <hex>	
		DATA_UPDTAB SPB8N500	E0FF0000 <hex>	
		DATA_UPDTAB SPB8N500	C0000000 <hex>	
		DATA_UPDTAB SPB8N500	0 <hex>	
		DATA_UPDTAB SPB8N500	0 <hex>	
		DATA_UPDTAB SPB8N500	0 <hex>	
		DATA_UPDTAB SPB8N500	1 <hex>	
		DATA_UPDTAB SPB8N500	1 <hex>	
		DATA_UPDTAB SPB8N500	2A <hex>	
		DATA_UPDTAB SPB8N500	8C3F0010 <hex>	
		TC Control Flags :		
			GBM IL DSE	

		Subsch. ID : 370		
		Det. descr. : UPDATE CONTENTS OF A TABLE		

SPIRE ON, DPU_START - Switch ON the redundant SPIRE units
 File: H_COP_SPI_RSON.xls
 Author: L.Lucas-hp



Step No.	Time	Activity/Remarks	TC/TLM	Display/ Branch
	ET=+00.00.01 UT=+00.00.01	UPDATE_TABLE		
		UPDATE_TABLE	SCB02500	
		Command Parameter(s) :		
		TABLEID_UPDTAB SPB8N500	5 <hex>	
		INDEX_UPDTAB SPB6N500	2D2 <hex>	
		N_UPDTAB SPB7N500	38 <dec>	
		DATA_UPDTAB SPB8N500	C080FFFF <hex>	
		DATA_UPDTAB SPB8N500	34EA <hex>	
		DATA_UPDTAB SPB8N500	3410 <hex>	
		DATA_UPDTAB SPB8N500	325B <hex>	
		DATA_UPDTAB SPB8N500	3180 <hex>	
		DATA_UPDTAB SPB8N500	C0000000 <hex>	
		DATA_UPDTAB SPB8N500	C0000000 <hex>	
		DATA_UPDTAB SPB8N500	E0FF0000 <hex>	
		DATA_UPDTAB SPB8N500	C0000000 <hex>	
		DATA_UPDTAB SPB8N500	E0FF0000 <hex>	
		DATA_UPDTAB SPB8N500	C0000000 <hex>	
		DATA_UPDTAB SPB8N500	0 <hex>	
		DATA_UPDTAB SPB8N500	0 <hex>	
		DATA_UPDTAB SPB8N500	0 <hex>	
		DATA_UPDTAB SPB8N500	1 <hex>	
		DATA_UPDTAB SPB8N500	1 <hex>	
		DATA_UPDTAB SPB8N500	2B <hex>	
		DATA_UPDTAB SPB8N500	8C3F0011 <hex>	
		DATA_UPDTAB SPB8N500	C080FFFF <hex>	
		DATA_UPDTAB SPB8N500	FFFFADAD <hex>	
		DATA_UPDTAB SPB8N500	FFFFACD3 <hex>	
		DATA_UPDTAB SPB8N500	FFFFAB1E <hex>	
		DATA_UPDTAB SPB8N500	FFFFAA44 <hex>	
		DATA_UPDTAB SPB8N500	C0000000 <hex>	
		DATA_UPDTAB SPB8N500	C0000000 <hex>	
		DATA_UPDTAB SPB8N500	E0FF0000 <hex>	
		DATA_UPDTAB SPB8N500	C0000000 <hex>	
		DATA_UPDTAB SPB8N500	E0FF0000 <hex>	
		DATA_UPDTAB SPB8N500	C0000000 <hex>	
		DATA_UPDTAB SPB8N500	0 <hex>	
		DATA_UPDTAB SPB8N500	0 <hex>	
		DATA_UPDTAB SPB8N500	0 <hex>	
		DATA_UPDTAB SPB8N500	1 <hex>	
		DATA_UPDTAB SPB8N500	B <hex>	
		DATA_UPDTAB SPB8N500	2C <hex>	
		DATA_UPDTAB SPB8N500	8C3F0012 <hex>	
		DATA_UPDTAB SPB8N500	C080FFFF <hex>	
		DATA_UPDTAB SPB8N500	FFFFE3DF <hex>	
		TC Control Flags :		
			GBM IL DSE	

		Subsch. ID : 370		
		Det. descr. : UPDATE CONTENTS OF A TABLE		

SPIRE ON, DPU_START - Switch ON the redundant SPIRE units
 File: H_COP_SPI_RSON.xls
 Author: L.Lucas-hp



Step No.	Time	Activity/Remarks	TC/TLM	Display/ Branch
	ET=+00.00.01 UT=+00.00.01	UPDATE_TABLE		
		UPDATE_TABLE	SCB02500	
		Command Parameter(s) :		
		TABLEID_UPDTAB SPB8N500	5 <hex>	
		INDEX_UPDTAB SPB6N500	2F8 <hex>	
		N_UPDTAB SPB7N500	38 <dec>	
		DATA_UPDTAB SPB8N500	FFFFFF305 <hex>	
		DATA_UPDTAB SPB8N500	FFFFFFE150 <hex>	
		DATA_UPDTAB SPB8N500	FFFFFFE075 <hex>	
		DATA_UPDTAB SPB8N500	C0000000 <hex>	
		DATA_UPDTAB SPB8N500	C0000000 <hex>	
		DATA_UPDTAB SPB8N500	E0FF0000 <hex>	
		DATA_UPDTAB SPB8N500	C0000000 <hex>	
		DATA_UPDTAB SPB8N500	E0FF0000 <hex>	
		DATA_UPDTAB SPB8N500	C0000000 <hex>	
		DATA_UPDTAB SPB8N500	0 <hex>	
		DATA_UPDTAB SPB8N500	0 <hex>	
		DATA_UPDTAB SPB8N500	0 <hex>	
		DATA_UPDTAB SPB8N500	1 <hex>	
		DATA_UPDTAB SPB8N500	B <hex>	
		DATA_UPDTAB SPB8N500	2D <hex>	
		DATA_UPDTAB SPB8N500	8C3F0013 <hex>	
		DATA_UPDTAB SPB8N500	C080FFFF <hex>	
		DATA_UPDTAB SPB8N500	1F94 <hex>	
		DATA_UPDTAB SPB8N500	1EB9 <hex>	
		DATA_UPDTAB SPB8N500	1D04 <hex>	
		DATA_UPDTAB SPB8N500	1C2A <hex>	
		DATA_UPDTAB SPB8N500	C0000000 <hex>	
		DATA_UPDTAB SPB8N500	C0000000 <hex>	
		DATA_UPDTAB SPB8N500	E0FF0000 <hex>	
		DATA_UPDTAB SPB8N500	C0000000 <hex>	
		DATA_UPDTAB SPB8N500	E0FF0000 <hex>	
		DATA_UPDTAB SPB8N500	C0000000 <hex>	
		DATA_UPDTAB SPB8N500	0 <hex>	
		DATA_UPDTAB SPB8N500	0 <hex>	
		DATA_UPDTAB SPB8N500	0 <hex>	
		DATA_UPDTAB SPB8N500	1 <hex>	
		DATA_UPDTAB SPB8N500	B <hex>	
		DATA_UPDTAB SPB8N500	2E <hex>	
		DATA_UPDTAB SPB8N500	8C3F0014 <hex>	
		DATA_UPDTAB SPB8N500	C080FFFF <hex>	
		DATA_UPDTAB SPB8N500	FFFFAE1B <hex>	
		DATA_UPDTAB SPB8N500	FFFFAD40 <hex>	
		DATA_UPDTAB SPB8N500	FFFFAB8B <hex>	
		TC Control Flags :		
			GBM IL DSE	

		Subsch. ID : 370		
		Det. descr. : UPDATE CONTENTS OF A TABLE		

SPIRE ON, DPU_START - Switch ON the redundant SPIRE units
 File: H_COP_SPI_RSON.xls
 Author: L.Lucas-hp



Step No.	Time	Activity/Remarks	TC/TLM	Display/ Branch
	ET=+00.00.01 UT=+00.00.01	UPDATE_TABLE	SCB02500	
		UPDATE_TABLE		
		Command Parameter(s) :		
		TABLEID_UPDTAB SPB5N500	5 <hex>	
		INDEX_UPDTAB SPB6N500	344 <hex>	
		N_UPDTAB SPB7N500	38 <dec>	
		DATA_UPDTAB SPB8N500	C0000000 <hex>	
		DATA_UPDTAB SPB8N500	E0FF0000 <hex>	
		DATA_UPDTAB SPB8N500	C0000000 <hex>	
		DATA_UPDTAB SPB8N500	E0FF0000 <hex>	
		DATA_UPDTAB SPB8N500	C0000000 <hex>	
		DATA_UPDTAB SPB8N500	0 <hex>	
		DATA_UPDTAB SPB8N500	0 <hex>	
		DATA_UPDTAB SPB8N500	0 <hex>	
		DATA_UPDTAB SPB8N500	1 <hex>	
		DATA_UPDTAB SPB8N500	C <hex>	
		DATA_UPDTAB SPB8N500	31 <hex>	
		DATA_UPDTAB SPB8N500	4210000 <hex>	
		DATA_UPDTAB SPB8N500	C080FFFF <hex>	
		DATA_UPDTAB SPB8N500	EAA <hex>	
		DATA_UPDTAB SPB8N500	E00 <hex>	
		DATA_UPDTAB SPB8N500	CAA <hex>	
		DATA_UPDTAB SPB8N500	C00 <hex>	
		DATA_UPDTAB SPB8N500	C0000000 <hex>	
		DATA_UPDTAB SPB8N500	C0000000 <hex>	
		DATA_UPDTAB SPB8N500	E0FE6701 <hex>	
		DATA_UPDTAB SPB8N500	C0000000 <hex>	
		DATA_UPDTAB SPB8N500	E0FE6701 <hex>	
		DATA_UPDTAB SPB8N500	C0000000 <hex>	
		DATA_UPDTAB SPB8N500	0 <hex>	
		DATA_UPDTAB SPB8N500	0 <hex>	
		DATA_UPDTAB SPB8N500	0 <hex>	
		DATA_UPDTAB SPB8N500	0 <hex>	
		DATA_UPDTAB SPB8N500	32 <hex>	
		DATA_UPDTAB SPB8N500	4220000 <hex>	
		DATA_UPDTAB SPB8N500	C080FFFF <hex>	
		DATA_UPDTAB SPB8N500	EA9 <hex>	
		DATA_UPDTAB SPB8N500	DFE <hex>	
		DATA_UPDTAB SPB8N500	CAA <hex>	
		DATA_UPDTAB SPB8N500	BFF <hex>	
		DATA_UPDTAB SPB8N500	C0000000 <hex>	
		DATA_UPDTAB SPB8N500	C0000000 <hex>	
		DATA_UPDTAB SPB8N500	E0FE6701 <hex>	
		DATA_UPDTAB SPB8N500	C0000000 <hex>	
		TC Control Flags :		
			GBM IL DSE	

		Subsch. ID : 370		
		Det. descr. : UPDATE CONTENTS OF A TABLE		

SPIRE ON, DPU_START - Switch ON the redundant SPIRE units
 File: H_COP_SPI_RSON.xls
 Author: L.Lucas-hp



Step No.	Time	Activity/Remarks	TC/TLM	Display/ Branch
	ET=+00.00.01 UT=+00.00.01	UPDATE_TABLE	SCB02500	
		UPDATE_TABLE		
		Command Parameter(s) :		
		TABLEID_UPDTAB SPB5N500	5 <hex>	
		INDEX_UPDTAB SPB6N500	36A <hex>	
		N_UPDTAB SPB7N500	38 <dec>	
		DATA_UPDTAB SPB8N500	E0FE6701 <hex>	
		DATA_UPDTAB SPB8N500	C0000000 <hex>	
		DATA_UPDTAB SPB8N500	0 <hex>	
		DATA_UPDTAB SPB8N500	0 <hex>	
		DATA_UPDTAB SPB8N500	0 <hex>	
		DATA_UPDTAB SPB8N500	0 <hex>	
		DATA_UPDTAB SPB8N500	33 <hex>	
		DATA_UPDTAB SPB8N500	4230000 <hex>	
		DATA_UPDTAB SPB8N500	C080FFFF <hex>	
		DATA_UPDTAB SPB8N500	EA9 <hex>	
		DATA_UPDTAB SPB8N500	E38 <hex>	
		DATA_UPDTAB SPB8N500	CAA <hex>	
		DATA_UPDTAB SPB8N500	BFF <hex>	
		DATA_UPDTAB SPB8N500	C0000000 <hex>	
		DATA_UPDTAB SPB8N500	C0000000 <hex>	
		DATA_UPDTAB SPB8N500	E0FE6701 <hex>	
		DATA_UPDTAB SPB8N500	C0000000 <hex>	
		DATA_UPDTAB SPB8N500	E0FE6701 <hex>	
		DATA_UPDTAB SPB8N500	C0000000 <hex>	
		DATA_UPDTAB SPB8N500	0 <hex>	
		DATA_UPDTAB SPB8N500	0 <hex>	
		DATA_UPDTAB SPB8N500	0 <hex>	
		DATA_UPDTAB SPB8N500	0 <hex>	
		DATA_UPDTAB SPB8N500	34 <hex>	
		DATA_UPDTAB SPB8N500	4270000 <hex>	
		DATA_UPDTAB SPB8N500	C080FFFF <hex>	
		DATA_UPDTAB SPB8N500	8CC <hex>	
		DATA_UPDTAB SPB8N500	866 <hex>	
		DATA_UPDTAB SPB8N500	799 <hex>	
		DATA_UPDTAB SPB8N500	733 <hex>	
		DATA_UPDTAB SPB8N500	C0000000 <hex>	
		DATA_UPDTAB SPB8N500	C0000000 <hex>	
		DATA_UPDTAB SPB8N500	E0FE6701 <hex>	
		DATA_UPDTAB SPB8N500	C0000000 <hex>	
		DATA_UPDTAB SPB8N500	E0FE6701 <hex>	
		DATA_UPDTAB SPB8N500	C0000000 <hex>	
		DATA_UPDTAB SPB8N500	0 <hex>	
		DATA_UPDTAB SPB8N500	0 <hex>	
		TC Control Flags :		
			GBM IL DSE	

		Subsch. ID : 370		
		Det. descr. : UPDATE CONTENTS OF A TABLE		

SPIRE ON, DPU_START - Switch ON the redundant SPIRE units
 File: H_COP_SPI_RSON.xls
 Author: L.Lucas-hp



Step No.	Time	Activity/Remarks	TC/TLM	Display/ Branch
	ET=+00.00.01 UT=+00.00.01	UPDATE_TABLE	SCB02500	
		UPDATE_TABLE		
		Command Parameter(s) :		
		TABLEID_UPDTAB SPB5N500	5 <hex>	
		INDEX_UPDTAB SPB6N500	390 <hex>	
		N_UPDTAB SPB7N500	38 <dec>	
		DATA_UPDTAB SPB8N500	0 <hex>	
		DATA_UPDTAB SPB8N500	0 <hex>	
		DATA_UPDTAB SPB8N500	35 <hex>	
		DATA_UPDTAB SPB8N500	A8C00000 <hex>	
		DATA_UPDTAB SPB8N500	C080FFFF <hex>	
		DATA_UPDTAB SPB8N500	886 <hex>	
		DATA_UPDTAB SPB8N500	845 <hex>	
		DATA_UPDTAB SPB8N500	67A <hex>	
		DATA_UPDTAB SPB8N500	659 <hex>	
		DATA_UPDTAB SPB8N500	C0000000 <hex>	
		DATA_UPDTAB SPB8N500	C0000000 <hex>	
		DATA_UPDTAB SPB8N500	E0FF0000 <hex>	
		DATA_UPDTAB SPB8N500	C0000000 <hex>	
		DATA_UPDTAB SPB8N500	E0FF0000 <hex>	
		DATA_UPDTAB SPB8N500	C0000000 <hex>	
		DATA_UPDTAB SPB8N500	0 <hex>	
		DATA_UPDTAB SPB8N500	0 <hex>	
		DATA_UPDTAB SPB8N500	0 <hex>	
		DATA_UPDTAB SPB8N500	1 <hex>	
		DATA_UPDTAB SPB8N500	1 <hex>	
		DATA_UPDTAB SPB8N500	36 <hex>	
		DATA_UPDTAB SPB8N500	A8C10000 <hex>	
		DATA_UPDTAB SPB8N500	C080FFFF <hex>	
		DATA_UPDTAB SPB8N500	886 <hex>	
		DATA_UPDTAB SPB8N500	845 <hex>	
		DATA_UPDTAB SPB8N500	67A <hex>	
		DATA_UPDTAB SPB8N500	659 <hex>	
		DATA_UPDTAB SPB8N500	C0000000 <hex>	
		DATA_UPDTAB SPB8N500	C0000000 <hex>	
		DATA_UPDTAB SPB8N500	E0FF0000 <hex>	
		DATA_UPDTAB SPB8N500	C0000000 <hex>	
		DATA_UPDTAB SPB8N500	E0FF0000 <hex>	
		DATA_UPDTAB SPB8N500	C0000000 <hex>	
		DATA_UPDTAB SPB8N500	0 <hex>	
		DATA_UPDTAB SPB8N500	0 <hex>	
		DATA_UPDTAB SPB8N500	0 <hex>	
		DATA_UPDTAB SPB8N500	1 <hex>	
		DATA_UPDTAB SPB8N500	1 <hex>	
		TC Control Flags :		
			GBM IL DSE	

		Subsch. ID : 370		
		Det. descr. : UPDATE CONTENTS OF A TABLE		

SPIRE ON, DPU_START - Switch ON the redundant SPIRE units
 File: H_COP_SPI_RSON.xls
 Author: L.Lucas-hp



Step No.	Time	Activity/Remarks	TC/TLM	Display/ Branch
	ET=+00.00.01 UT=+00.00.01	UPDATE_TABLE	SCB02500	
		UPDATE_TABLE		
		Command Parameter(s) :		
		TABLEID_UPDTAB SPB5N500	5 <hex>	
		INDEX_UPDTAB SPB6N500	3B6 <hex>	
		N_UPDTAB SPB7N500	38 <dec>	
		DATA_UPDTAB SPB8N500	37 <hex>	
		DATA_UPDTAB SPB8N500	A8C20000 <hex>	
		DATA_UPDTAB SPB8N500	C080FFFF <hex>	
		DATA_UPDTAB SPB8N500	886 <hex>	
		DATA_UPDTAB SPB8N500	845 <hex>	
		DATA_UPDTAB SPB8N500	67A <hex>	
		DATA_UPDTAB SPB8N500	659 <hex>	
		DATA_UPDTAB SPB8N500	C0000000 <hex>	
		DATA_UPDTAB SPB8N500	C0000000 <hex>	
		DATA_UPDTAB SPB8N500	E0FF0000 <hex>	
		DATA_UPDTAB SPB8N500	C0000000 <hex>	
		DATA_UPDTAB SPB8N500	E0FF0000 <hex>	
		DATA_UPDTAB SPB8N500	C0000000 <hex>	
		DATA_UPDTAB SPB8N500	0 <hex>	
		DATA_UPDTAB SPB8N500	0 <hex>	
		DATA_UPDTAB SPB8N500	0 <hex>	
		DATA_UPDTAB SPB8N500	1 <hex>	
		DATA_UPDTAB SPB8N500	1 <hex>	
		DATA_UPDTAB SPB8N500	38 <hex>	
		DATA_UPDTAB SPB8N500	A8C30000 <hex>	
		DATA_UPDTAB SPB8N500	C080FFFF <hex>	
		DATA_UPDTAB SPB8N500	886 <hex>	
		DATA_UPDTAB SPB8N500	845 <hex>	
		DATA_UPDTAB SPB8N500	67A <hex>	
		DATA_UPDTAB SPB8N500	659 <hex>	
		DATA_UPDTAB SPB8N500	C0000000 <hex>	
		DATA_UPDTAB SPB8N500	C0000000 <hex>	
		DATA_UPDTAB SPB8N500	E0FF0000 <hex>	
		DATA_UPDTAB SPB8N500	C0000000 <hex>	
		DATA_UPDTAB SPB8N500	E0FF0000 <hex>	
		DATA_UPDTAB SPB8N500	C0000000 <hex>	
		DATA_UPDTAB SPB8N500	0 <hex>	
		DATA_UPDTAB SPB8N500	0 <hex>	
		DATA_UPDTAB SPB8N500	0 <hex>	
		DATA_UPDTAB SPB8N500	1 <hex>	
		DATA_UPDTAB SPB8N500	1 <hex>	
		DATA_UPDTAB SPB8N500	39 <hex>	
		DATA_UPDTAB SPB8N500	99E50000 <hex>	
		TC Control Flags :		
			GBM IL DSE	

		Subsch. ID : 370		
		Det. descr. : UPDATE CONTENTS OF A TABLE		

SPIRE ON, DPU_START - Switch ON the redundant SPIRE units
 File: H_COP_SPI_RSON.xls
 Author: L.Lucas-hp



Step No.	Time	Activity/Remarks	TC/TLM	Display/ Branch
	ET=+00.00.01 UT=+00.00.01	UPDATE_TABLE		
		UPDATE_TABLE	SCB02500	
		Command Parameter(s) :		
		TABLEID_UPDTAB SPB8N500	5 <hex>	
		INDEX_UPDTAB SPB6N500	3DC <hex>	
		N_UPDTAB SPB7N500	38 <dec>	
		DATA_UPDTAB SPB8N500	C080FFFF <hex>	
		DATA_UPDTAB SPB8N500	FFFF99CE <hex>	
		DATA_UPDTAB SPB8N500	FFFF9908 <hex>	
		DATA_UPDTAB SPB8N500	FFFF939B <hex>	
		DATA_UPDTAB SPB8N500	FFFF9338 <hex>	
		DATA_UPDTAB SPB8N500	C0000000 <hex>	
		DATA_UPDTAB SPB8N500	C0000000 <hex>	
		DATA_UPDTAB SPB8N500	E0FE6702 <hex>	
		DATA_UPDTAB SPB8N500	C0000000 <hex>	
		DATA_UPDTAB SPB8N500	E0FE6702 <hex>	
		DATA_UPDTAB SPB8N500	C0000000 <hex>	
		DATA_UPDTAB SPB8N500	0 <hex>	
		DATA_UPDTAB SPB8N500	0 <hex>	
		DATA_UPDTAB SPB8N500	0 <hex>	
		DATA_UPDTAB SPB8N500	1 <hex>	
		DATA_UPDTAB SPB8N500	2 <hex>	
		DATA_UPDTAB SPB8N500	3A <hex>	
		DATA_UPDTAB SPB8N500	99E60000 <hex>	
		DATA_UPDTAB SPB8N500	C080FFFF <hex>	
		DATA_UPDTAB SPB8N500	FFFF99CE <hex>	
		DATA_UPDTAB SPB8N500	FFFF9908 <hex>	
		DATA_UPDTAB SPB8N500	FFFF939B <hex>	
		DATA_UPDTAB SPB8N500	FFFF9338 <hex>	
		DATA_UPDTAB SPB8N500	C0000000 <hex>	
		DATA_UPDTAB SPB8N500	C0000000 <hex>	
		DATA_UPDTAB SPB8N500	E0FE6702 <hex>	
		DATA_UPDTAB SPB8N500	C0000000 <hex>	
		DATA_UPDTAB SPB8N500	E0FE6702 <hex>	
		DATA_UPDTAB SPB8N500	C0000000 <hex>	
		DATA_UPDTAB SPB8N500	0 <hex>	
		DATA_UPDTAB SPB8N500	0 <hex>	
		DATA_UPDTAB SPB8N500	0 <hex>	
		DATA_UPDTAB SPB8N500	1 <hex>	
		DATA_UPDTAB SPB8N500	2 <hex>	
		DATA_UPDTAB SPB8N500	3B <hex>	
		DATA_UPDTAB SPB8N500	99E70000 <hex>	
		DATA_UPDTAB SPB8N500	C080FFFF <hex>	
		DATA_UPDTAB SPB8N500	FFFF99CE <hex>	
		TC Control Flags :		
			GBM IL DSE	

		Subsch. ID : 370		
		Det. descr. : UPDATE CONTENTS OF A TABLE		

SPIRE ON, DPU_START - Switch ON the redundant SPIRE units
 File: H_COP_SPI_RSON.xls
 Author: L.Lucas-hp



Step No.	Time	Activity/Remarks	TC/TLM	Display/ Branch
	ET=+00.00.01 UT=+00.00.01	UPDATE_TABLE		
		UPDATE_TABLE	SCB02500	
		Command Parameter(s) :		
		TABLEID_UPDTAB SPB8N500	5 <hex>	
		INDEX_UPDTAB SPB6N500	402 <hex>	
		N_UPDTAB SPB7N500	38 <dec>	
		DATA_UPDTAB SPB8N500	FFFF9908 <hex>	
		DATA_UPDTAB SPB8N500	FFFF939B <hex>	
		DATA_UPDTAB SPB8N500	FFFF9338 <hex>	
		DATA_UPDTAB SPB8N500	C0000000 <hex>	
		DATA_UPDTAB SPB8N500	C0000000 <hex>	
		DATA_UPDTAB SPB8N500	E0FE6702 <hex>	
		DATA_UPDTAB SPB8N500	C0000000 <hex>	
		DATA_UPDTAB SPB8N500	E0FE6702 <hex>	
		DATA_UPDTAB SPB8N500	C0000000 <hex>	
		DATA_UPDTAB SPB8N500	0 <hex>	
		DATA_UPDTAB SPB8N500	0 <hex>	
		DATA_UPDTAB SPB8N500	0 <hex>	
		DATA_UPDTAB SPB8N500	1 <hex>	
		DATA_UPDTAB SPB8N500	2 <hex>	
		DATA_UPDTAB SPB8N500	3C <hex>	
		DATA_UPDTAB SPB8N500	8C3F000D <hex>	
		DATA_UPDTAB SPB8N500	C080FFFF <hex>	
		DATA_UPDTAB SPB8N500	FFFFD53B <hex>	
		DATA_UPDTAB SPB8N500	FFFFD2AC <hex>	
		DATA_UPDTAB SPB8N500	FFFFC0C1 <hex>	
		DATA_UPDTAB SPB8N500	FFFFBF79 <hex>	
		DATA_UPDTAB SPB8N500	C0000000 <hex>	
		DATA_UPDTAB SPB8N500	C0000000 <hex>	
		DATA_UPDTAB SPB8N500	E0FE6703 <hex>	
		DATA_UPDTAB SPB8N500	C0000000 <hex>	
		DATA_UPDTAB SPB8N500	E0FE6703 <hex>	
		DATA_UPDTAB SPB8N500	C0000000 <hex>	
		DATA_UPDTAB SPB8N500	0 <hex>	
		DATA_UPDTAB SPB8N500	0 <hex>	
		DATA_UPDTAB SPB8N500	0 <hex>	
		DATA_UPDTAB SPB8N500	1 <hex>	
		DATA_UPDTAB SPB8N500	1 <hex>	
		DATA_UPDTAB SPB8N500	3D <hex>	
		DATA_UPDTAB SPB8N500	8C3F0000 <hex>	
		DATA_UPDTAB SPB8N500	C080FFFF <hex>	
		DATA_UPDTAB SPB8N500	FFFFD53B <hex>	
		DATA_UPDTAB SPB8N500	FFFFD2AC <hex>	
		DATA_UPDTAB SPB8N500	FFFFC0C1 <hex>	
		TC Control Flags :		
			GBM IL DSE	

		Subsch. ID : 370		
		Det. descr. : UPDATE CONTENTS OF A TABLE		

SPIRE ON, DPU_START - Switch ON the redundant SPIRE units
 File: H_COP_SPI_RSON.xls
 Author: L.Lucas-hp



Step No.	Time	Activity/Remarks	TC/TLM	Display/ Branch
	ET=+00.00.01 UT=+00.00.01	UPDATE_TABLE	SCB02500	
		UPDATE_TABLE		
		Command Parameter(s) :		
		TABLEID_UPDTAB SPB8N500	5 <hex>	
		INDEX_UPDTAB SPB6N500	44E <hex>	
		N_UPDTAB SPB7N500	38 <dec>	
		DATA_UPDTAB SPB8N500	C0000000 <hex>	
		DATA_UPDTAB SPB8N500	E0FE6703 <hex>	
		DATA_UPDTAB SPB8N500	C0000000 <hex>	
		DATA_UPDTAB SPB8N500	E0FE6703 <hex>	
		DATA_UPDTAB SPB8N500	C0000000 <hex>	
		DATA_UPDTAB SPB8N500	0 <hex>	
		DATA_UPDTAB SPB8N500	0 <hex>	
		DATA_UPDTAB SPB8N500	0 <hex>	
		DATA_UPDTAB SPB8N500	1 <hex>	
		DATA_UPDTAB SPB8N500	1 <hex>	
		DATA_UPDTAB SPB8N500	40 <hex>	
		DATA_UPDTAB SPB8N500	8C3F000A <hex>	
		DATA_UPDTAB SPB8N500	C080FFFF <hex>	
		DATA_UPDTAB SPB8N500	FFFFD53B <hex>	
		DATA_UPDTAB SPB8N500	FFFFD2AC <hex>	
		DATA_UPDTAB SPB8N500	FFFFC0C1 <hex>	
		DATA_UPDTAB SPB8N500	FFFFBF79 <hex>	
		DATA_UPDTAB SPB8N500	C0000000 <hex>	
		DATA_UPDTAB SPB8N500	C0000000 <hex>	
		DATA_UPDTAB SPB8N500	E0FE6703 <hex>	
		DATA_UPDTAB SPB8N500	C0000000 <hex>	
		DATA_UPDTAB SPB8N500	E0FE6703 <hex>	
		DATA_UPDTAB SPB8N500	C0000000 <hex>	
		DATA_UPDTAB SPB8N500	0 <hex>	
		DATA_UPDTAB SPB8N500	0 <hex>	
		DATA_UPDTAB SPB8N500	0 <hex>	
		DATA_UPDTAB SPB8N500	1 <hex>	
		DATA_UPDTAB SPB8N500	1 <hex>	
		DATA_UPDTAB SPB8N500	41 <hex>	
		DATA_UPDTAB SPB8N500	8C3F0009 <hex>	
		DATA_UPDTAB SPB8N500	C080FFFF <hex>	
		DATA_UPDTAB SPB8N500	FFFFD53B <hex>	
		DATA_UPDTAB SPB8N500	FFFFD2AC <hex>	
		DATA_UPDTAB SPB8N500	FFFFC0C1 <hex>	
		DATA_UPDTAB SPB8N500	FFFFBF79 <hex>	
		DATA_UPDTAB SPB8N500	C0000000 <hex>	
		DATA_UPDTAB SPB8N500	C0000000 <hex>	
		DATA_UPDTAB SPB8N500	E0FE6703 <hex>	
		TC Control Flags :		
			GBM IL DSE	

		Subsch. ID : 370		
		Det. descr. : UPDATE CONTENTS OF A TABLE		

SPIRE ON, DPU_START - Switch ON the redundant SPIRE units
 File: H_COP_SPI_RSON.xls
 Author: L.Lucas-hp



Step No.	Time	Activity/Remarks	TC/TLM	Display/ Branch
	ET=+00.00.01 UT=+00.00.01	UPDATE_TABLE		
		UPDATE_TABLE	SCB02500	
		Command Parameter(s) :		
		TABLEID_UPDTAB SPB8N500	5 <hex>	
		INDEX_UPDTAB SPB6N500	474 <hex>	
		N_UPDTAB SPB7N500	38 <dec>	
		DATA_UPDTAB SPB8N500	C0000000 <hex>	
		DATA_UPDTAB SPB8N500	E0FE6703 <hex>	
		DATA_UPDTAB SPB8N500	C0000000 <hex>	
		DATA_UPDTAB SPB8N500	0 <hex>	
		DATA_UPDTAB SPB8N500	0 <hex>	
		DATA_UPDTAB SPB8N500	0 <hex>	
		DATA_UPDTAB SPB8N500	1 <hex>	
		DATA_UPDTAB SPB8N500	1 <hex>	
		DATA_UPDTAB SPB8N500	42 <hex>	
		DATA_UPDTAB SPB8N500	8C3F0008 <hex>	
		DATA_UPDTAB SPB8N500	C080FFFF <hex>	
		DATA_UPDTAB SPB8N500	FFFFD53B <hex>	
		DATA_UPDTAB SPB8N500	FFFFD2AC <hex>	
		DATA_UPDTAB SPB8N500	FFFC0C1 <hex>	
		DATA_UPDTAB SPB8N500	FFFFBF79 <hex>	
		DATA_UPDTAB SPB8N500	C0000000 <hex>	
		DATA_UPDTAB SPB8N500	C0000000 <hex>	
		DATA_UPDTAB SPB8N500	E0FE6703 <hex>	
		DATA_UPDTAB SPB8N500	C0000000 <hex>	
		DATA_UPDTAB SPB8N500	E0FE6703 <hex>	
		DATA_UPDTAB SPB8N500	C0000000 <hex>	
		DATA_UPDTAB SPB8N500	0 <hex>	
		DATA_UPDTAB SPB8N500	0 <hex>	
		DATA_UPDTAB SPB8N500	0 <hex>	
		DATA_UPDTAB SPB8N500	1 <hex>	
		DATA_UPDTAB SPB8N500	1 <hex>	
		DATA_UPDTAB SPB8N500	1 <hex>	
		DATA_UPDTAB SPB8N500	43 <hex>	
		DATA_UPDTAB SPB8N500	8C3F0007 <hex>	
		DATA_UPDTAB SPB8N500	C080FFFF <hex>	
		DATA_UPDTAB SPB8N500	FFFFD53B <hex>	
		DATA_UPDTAB SPB8N500	FFFFD2AC <hex>	
		DATA_UPDTAB SPB8N500	FFFC0C1 <hex>	
		DATA_UPDTAB SPB8N500	FFFFBF79 <hex>	
		DATA_UPDTAB SPB8N500	C0000000 <hex>	
		DATA_UPDTAB SPB8N500	C0000000 <hex>	
		DATA_UPDTAB SPB8N500	E0FE6703 <hex>	
		DATA_UPDTAB SPB8N500	C0000000 <hex>	
		DATA_UPDTAB SPB8N500	E0FE6703 <hex>	
		TC Control Flags :		
			GBM IL DSE	

		Subsch. ID : 370		
		Det. descr. : UPDATE CONTENTS OF A TABLE		

SPIRE ON, DPU_START - Switch ON the redundant SPIRE units
 File: H_COP_SPI_RSON.xls
 Author: L.Lucas-hp



Step No.	Time	Activity/Remarks	TC/TLM	Display/ Branch
	ET=+00.00.01 UT=+00.00.01	UPDATE_TABLE		
		UPDATE_TABLE	SCB02500	
		Command Parameter(s) :		
		TABLEID_UPDTAB SPB8N500	5 <hex>	
		INDEX_UPDTAB SPB6N500	49A <hex>	
		N_UPDTAB SPB7N500	38 <dec>	
		DATA_UPDTAB SPB8N500	C0000000 <hex>	
		DATA_UPDTAB SPB8N500	0 <hex>	
		DATA_UPDTAB SPB8N500	0 <hex>	
		DATA_UPDTAB SPB8N500	0 <hex>	
		DATA_UPDTAB SPB8N500	1 <hex>	
		DATA_UPDTAB SPB8N500	1 <hex>	
		DATA_UPDTAB SPB8N500	44 <hex>	
		DATA_UPDTAB SPB8N500	8C3F0006 <hex>	
		DATA_UPDTAB SPB8N500	C080FFFF <hex>	
		DATA_UPDTAB SPB8N500	FFFFD53B <hex>	
		DATA_UPDTAB SPB8N500	FFFFD2AC <hex>	
		DATA_UPDTAB SPB8N500	FFFFC0C1 <hex>	
		DATA_UPDTAB SPB8N500	FFFFBF79 <hex>	
		DATA_UPDTAB SPB8N500	C0000000 <hex>	
		DATA_UPDTAB SPB8N500	C0000000 <hex>	
		DATA_UPDTAB SPB8N500	E0FE6703 <hex>	
		DATA_UPDTAB SPB8N500	C0000000 <hex>	
		DATA_UPDTAB SPB8N500	E0FE6703 <hex>	
		DATA_UPDTAB SPB8N500	C0000000 <hex>	
		DATA_UPDTAB SPB8N500	0 <hex>	
		DATA_UPDTAB SPB8N500	0 <hex>	
		DATA_UPDTAB SPB8N500	0 <hex>	
		DATA_UPDTAB SPB8N500	1 <hex>	
		DATA_UPDTAB SPB8N500	1 <hex>	
		DATA_UPDTAB SPB8N500	45 <hex>	
		DATA_UPDTAB SPB8N500	8C3F0005 <hex>	
		DATA_UPDTAB SPB8N500	C080FFFF <hex>	
		DATA_UPDTAB SPB8N500	FFFFD53B <hex>	
		DATA_UPDTAB SPB8N500	FFFFD2AC <hex>	
		DATA_UPDTAB SPB8N500	FFFFC0C1 <hex>	
		DATA_UPDTAB SPB8N500	FFFFBF79 <hex>	
		DATA_UPDTAB SPB8N500	C0000000 <hex>	
		DATA_UPDTAB SPB8N500	C0000000 <hex>	
		DATA_UPDTAB SPB8N500	E0FE6703 <hex>	
		DATA_UPDTAB SPB8N500	C0000000 <hex>	
		DATA_UPDTAB SPB8N500	E0FE6703 <hex>	
		DATA_UPDTAB SPB8N500	C0000000 <hex>	
		DATA_UPDTAB SPB8N500	0 <hex>	
		TC Control Flags :		
			GBM IL DSE	

		Subsch. ID : 370		
		Det. descr. : UPDATE CONTENTS OF A TABLE		

SPIRE ON, DPU_START - Switch ON the redundant SPIRE units
 File: H_COP_SPI_RSON.xls
 Author: L.Lucas-hp



Step No.	Time	Activity/Remarks	TC/TLM	Display/ Branch
	ET=+00.00.01 UT=+00.00.01	UPDATE_TABLE UPDATE_TABLE	SCB02500	
		Command Parameter(s) :		
		TABLEID_UPDTAB SPB8N500	5 <hex>	
		INDEX_UPDTAB SPB8N500	4C0 <hex>	
		N_UPDTAB SPB8N500	38 <dec>	
		DATA_UPDTAB SPB8N500	0 <hex>	
		DATA_UPDTAB SPB8N500	0 <hex>	
		DATA_UPDTAB SPB8N500	1 <hex>	
		DATA_UPDTAB SPB8N500	1 <hex>	
		DATA_UPDTAB SPB8N500	46 <hex>	
		DATA_UPDTAB SPB8N500	8C3F0004 <hex>	
		DATA_UPDTAB SPB8N500	C080FFFF <hex>	
		DATA_UPDTAB SPB8N500	FFFFD53B <hex>	
		DATA_UPDTAB SPB8N500	FFFFD2AC <hex>	
		DATA_UPDTAB SPB8N500	FFFC0C1 <hex>	
		DATA_UPDTAB SPB8N500	FFFBF79 <hex>	
		DATA_UPDTAB SPB8N500	C0000000 <hex>	
		DATA_UPDTAB SPB8N500	C0000000 <hex>	
		DATA_UPDTAB SPB8N500	E0FE6703 <hex>	
		DATA_UPDTAB SPB8N500	C0000000 <hex>	
		DATA_UPDTAB SPB8N500	E0FE6703 <hex>	
		DATA_UPDTAB SPB8N500	C0000000 <hex>	
		DATA_UPDTAB SPB8N500	0 <hex>	
		DATA_UPDTAB SPB8N500	0 <hex>	
		DATA_UPDTAB SPB8N500	0 <hex>	
		DATA_UPDTAB SPB8N500	1 <hex>	
		DATA_UPDTAB SPB8N500	1 <hex>	
		DATA_UPDTAB SPB8N500	47 <hex>	
		DATA_UPDTAB SPB8N500	8C3F0001 <hex>	
		DATA_UPDTAB SPB8N500	C080FFFF <hex>	
		DATA_UPDTAB SPB8N500	FFFFD53B <hex>	
		DATA_UPDTAB SPB8N500	FFFFD2AC <hex>	
		DATA_UPDTAB SPB8N500	FFFC0C1 <hex>	
		DATA_UPDTAB SPB8N500	FFFBF79 <hex>	
		DATA_UPDTAB SPB8N500	C0000000 <hex>	
		DATA_UPDTAB SPB8N500	C0000000 <hex>	
		DATA_UPDTAB SPB8N500	E0FE6703 <hex>	
		DATA_UPDTAB SPB8N500	C0000000 <hex>	
		DATA_UPDTAB SPB8N500	E0FE6703 <hex>	
		DATA_UPDTAB SPB8N500	C0000000 <hex>	
		DATA_UPDTAB SPB8N500	0 <hex>	
		DATA_UPDTAB SPB8N500	0 <hex>	
		DATA_UPDTAB SPB8N500	0 <hex>	
		TC Control Flags :		
			GBM IL DSE	

		Subsch. ID : 370		
		Det. descr. : UPDATE CONTENTS OF A TABLE		

SPIRE ON, DPU_START - Switch ON the redundant SPIRE units
 File: H_COP_SPI_RSON.xls
 Author: L.Lucas-hp



Step No.	Time	Activity/Remarks	TC/TLM	Display/ Branch
	ET=+00.00.01 UT=+00.00.01	UPDATE_TABLE	SCB02500	
		UPDATE_TABLE		
		Command Parameter(s) :		
		TABLEID_UPDTAB SPB8N500	5 <hex>	
		INDEX_UPDTAB SPB6N500	4E6 <hex>	
		N_UPDTAB SPB7N500	38 <dec>	
		DATA_UPDTAB SPB8N500	1 <hex>	
		DATA_UPDTAB SPB8N500	1 <hex>	
		DATA_UPDTAB SPB8N500	48 <hex>	
		DATA_UPDTAB SPB8N500	8C3F0002 <hex>	
		DATA_UPDTAB SPB8N500	C080FFFF <hex>	
		DATA_UPDTAB SPB8N500	FFFFD53B <hex>	
		DATA_UPDTAB SPB8N500	FFFFD2AC <hex>	
		DATA_UPDTAB SPB8N500	FFFFC0C1 <hex>	
		DATA_UPDTAB SPB8N500	FFFFBF79 <hex>	
		DATA_UPDTAB SPB8N500	C0000000 <hex>	
		DATA_UPDTAB SPB8N500	C0000000 <hex>	
		DATA_UPDTAB SPB8N500	E0FE6703 <hex>	
		DATA_UPDTAB SPB8N500	C0000000 <hex>	
		DATA_UPDTAB SPB8N500	E0FE6703 <hex>	
		DATA_UPDTAB SPB8N500	C0000000 <hex>	
		DATA_UPDTAB SPB8N500	0 <hex>	
		DATA_UPDTAB SPB8N500	0 <hex>	
		DATA_UPDTAB SPB8N500	0 <hex>	
		DATA_UPDTAB SPB8N500	1 <hex>	
		DATA_UPDTAB SPB8N500	1 <hex>	
		DATA_UPDTAB SPB8N500	49 <hex>	
		DATA_UPDTAB SPB8N500	8C3F0003 <hex>	
		DATA_UPDTAB SPB8N500	C080FFFF <hex>	
		DATA_UPDTAB SPB8N500	FFFFD53B <hex>	
		DATA_UPDTAB SPB8N500	FFFFD2AC <hex>	
		DATA_UPDTAB SPB8N500	FFFFC0C1 <hex>	
		DATA_UPDTAB SPB8N500	FFFFBF79 <hex>	
		DATA_UPDTAB SPB8N500	C0000000 <hex>	
		DATA_UPDTAB SPB8N500	C0000000 <hex>	
		DATA_UPDTAB SPB8N500	E0FE6703 <hex>	
		DATA_UPDTAB SPB8N500	C0000000 <hex>	
		DATA_UPDTAB SPB8N500	E0FE6703 <hex>	
		DATA_UPDTAB SPB8N500	C0000000 <hex>	
		DATA_UPDTAB SPB8N500	0 <hex>	
		DATA_UPDTAB SPB8N500	0 <hex>	
		DATA_UPDTAB SPB8N500	0 <hex>	
		DATA_UPDTAB SPB8N500	1 <hex>	
		DATA_UPDTAB SPB8N500	1 <hex>	
		TC Control Flags :		
			GBM IL DSE	

		Subsch. ID : 370		
		Det. descr. : UPDATE CONTENTS OF A TABLE		

SPIRE ON, DPU_START - Switch ON the redundant SPIRE units
 File: H_COP_SPI_RSON.xls
 Author: L.Lucas-hp



Step No.	Time	Activity/Remarks	TC/TLM	Display/ Branch
	ET=+00.00.01 UT=+00.00.01	UPDATE_TABLE	SCB02500	
		UPDATE_TABLE		
		Command Parameter(s) :		
		TABLEID_UPDTAB SPB8N500	5 <hex>	
		INDEX_UPDTAB SPB6N500	50C <hex>	
		N_UPDTAB SPB7N500	38 <dec>	
		DATA_UPDTAB SPB8N500	4A <hex>	
		DATA_UPDTAB SPB8N500	4240000 <hex>	
		DATA_UPDTAB SPB8N500	C080FFFF <hex>	
		DATA_UPDTAB SPB8N500	C4E <hex>	
		DATA_UPDTAB SPB8N500	C0F <hex>	
		DATA_UPDTAB SPB8N500	2B5 <hex>	
		DATA_UPDTAB SPB8N500	256 <hex>	
		DATA_UPDTAB SPB8N500	C0000000 <hex>	
		DATA_UPDTAB SPB8N500	C0000000 <hex>	
		DATA_UPDTAB SPB8N500	E0FE6701 <hex>	
		DATA_UPDTAB SPB8N500	C0000000 <hex>	
		DATA_UPDTAB SPB8N500	E0FE6701 <hex>	
		DATA_UPDTAB SPB8N500	C0000000 <hex>	
		DATA_UPDTAB SPB8N500	0 <hex>	
		DATA_UPDTAB SPB8N500	0 <hex>	
		DATA_UPDTAB SPB8N500	0 <hex>	
		DATA_UPDTAB SPB8N500	0 <hex>	
		DATA_UPDTAB SPB8N500	4B <hex>	
		DATA_UPDTAB SPB8N500	A8E00000 <hex>	
		DATA_UPDTAB SPB8N500	C080FFFF <hex>	
		DATA_UPDTAB SPB8N500	FFFF8001 <hex>	
		DATA_UPDTAB SPB8N500	FFFF8300 <hex>	
		DATA_UPDTAB SPB8N500	FFFFF4BE <hex>	
		DATA_UPDTAB SPB8N500	FFFFF68E <hex>	
		DATA_UPDTAB SPB8N500	C0000000 <hex>	
		DATA_UPDTAB SPB8N500	C0000000 <hex>	
		DATA_UPDTAB SPB8N500	F067001E <hex>	
		DATA_UPDTAB SPB8N500	C0000000 <hex>	
		DATA_UPDTAB SPB8N500	F067001E <hex>	
		DATA_UPDTAB SPB8N500	C0000000 <hex>	
		DATA_UPDTAB SPB8N500	0 <hex>	
		DATA_UPDTAB SPB8N500	0 <hex>	
		DATA_UPDTAB SPB8N500	0 <hex>	
		DATA_UPDTAB SPB8N500	2 <hex>	
		DATA_UPDTAB SPB8N500	E <hex>	
		DATA_UPDTAB SPB8N500	6 <hex>	
		DATA_UPDTAB SPB8N500	4C <hex>	
		DATA_UPDTAB SPB8N500	A8E00000 <hex>	
		TC Control Flags :		
			GBM IL DSE	

		Subsch. ID : 370		
		Det. descr. : UPDATE CONTENTS OF A TABLE		

SPIRE ON, DPU_START - Switch ON the redundant SPIRE units
 File: H_COP_SPI_RSON.xls
 Author: L.Lucas-hp



Step No.	Time	Activity/Remarks	TC/TLM	Display/ Branch
	ET=+00.00.01 UT=+00.00.01	UPDATE_TABLE		
		UPDATE_TABLE	SCB02500	
		Command Parameter(s) :		
		TABLEID_UPDTAB SPB8N500	5 <hex>	
		INDEX_UPDTAB SPB6N500	532 <hex>	
		N_UPDTAB SPB7N500	38 <dec>	
		DATA_UPDTAB SPB8N500	C080FFFF <hex>	
		DATA_UPDTAB SPB8N500	FFFF8001 <hex>	
		DATA_UPDTAB SPB8N500	FFFF8300 <hex>	
		DATA_UPDTAB SPB8N500	FFFFF4BE <hex>	
		DATA_UPDTAB SPB8N500	FFFFF68E <hex>	
		DATA_UPDTAB SPB8N500	C0000000 <hex>	
		DATA_UPDTAB SPB8N500	C0000000 <hex>	
		DATA_UPDTAB SPB8N500	E0FE6709 <hex>	
		DATA_UPDTAB SPB8N500	C0000000 <hex>	
		DATA_UPDTAB SPB8N500	E0FE6709 <hex>	
		DATA_UPDTAB SPB8N500	C0000000 <hex>	
		DATA_UPDTAB SPB8N500	0 <hex>	
		DATA_UPDTAB SPB8N500	0 <hex>	
		DATA_UPDTAB SPB8N500	0 <hex>	
		DATA_UPDTAB SPB8N500	2 <hex>	
		DATA_UPDTAB SPB8N500	E <hex>	
		DATA_UPDTAB SPB8N500	5 <hex>	
		DATA_UPDTAB SPB8N500	4D <hex>	
		DATA_UPDTAB SPB8N500	A8E10000 <hex>	
		DATA_UPDTAB SPB8N500	C080FFFF <hex>	
		DATA_UPDTAB SPB8N500	FFFF8001 <hex>	
		DATA_UPDTAB SPB8N500	FFFF99BA <hex>	
		DATA_UPDTAB SPB8N500	FFFFF5AD <hex>	
		DATA_UPDTAB SPB8N500	FFFFF79D <hex>	
		DATA_UPDTAB SPB8N500	C0000000 <hex>	
		DATA_UPDTAB SPB8N500	C0000000 <hex>	
		DATA_UPDTAB SPB8N500	F067001F <hex>	
		DATA_UPDTAB SPB8N500	C0000000 <hex>	
		DATA_UPDTAB SPB8N500	F067001F <hex>	
		DATA_UPDTAB SPB8N500	C0000000 <hex>	
		DATA_UPDTAB SPB8N500	0 <hex>	
		DATA_UPDTAB SPB8N500	0 <hex>	
		DATA_UPDTAB SPB8N500	0 <hex>	
		DATA_UPDTAB SPB8N500	2 <hex>	
		DATA_UPDTAB SPB8N500	F <hex>	
		DATA_UPDTAB SPB8N500	6 <hex>	
		DATA_UPDTAB SPB8N500	4E <hex>	
		DATA_UPDTAB SPB8N500	A8E10000 <hex>	
		TC Control Flags :		
			GBM IL DSE	

		Subsch. ID : 370		
		Det. descr. : UPDATE CONTENTS OF A TABLE		

SPIRE ON, DPU_START - Switch ON the redundant SPIRE units
 File: H_COP_SPI_RSON.xls
 Author: L.Lucas-hp



Step No.	Time	Activity/Remarks	TC/TLM	Display/ Branch
	ET=+00.00.01 UT=+00.00.01	UPDATE_TABLE UPDATE_TABLE	SCB02500	
		Command Parameter(s) :		
		TABLEID_UPDTAB SPB8N500	5 <hex>	
		INDEX_UPDTAB SPB8N500	558 <hex>	
		N_UPDTAB SPB8N500	38 <dec>	
		DATA_UPDTAB SPB8N500	C080FFFF <hex>	
		DATA_UPDTAB SPB8N500	FFFF8001 <hex>	
		DATA_UPDTAB SPB8N500	FFFF99BA <hex>	
		DATA_UPDTAB SPB8N500	FFFFF5AD <hex>	
		DATA_UPDTAB SPB8N500	FFFFF79D <hex>	
		DATA_UPDTAB SPB8N500	C0000000 <hex>	
		DATA_UPDTAB SPB8N500	C0000000 <hex>	
		DATA_UPDTAB SPB8N500	E0FE6709 <hex>	
		DATA_UPDTAB SPB8N500	C0000000 <hex>	
		DATA_UPDTAB SPB8N500	E0FE6709 <hex>	
		DATA_UPDTAB SPB8N500	C0000000 <hex>	
		DATA_UPDTAB SPB8N500	0 <hex>	
		DATA_UPDTAB SPB8N500	0 <hex>	
		DATA_UPDTAB SPB8N500	0 <hex>	
		DATA_UPDTAB SPB8N500	2 <hex>	
		DATA_UPDTAB SPB8N500	F <hex>	
		DATA_UPDTAB SPB8N500	5 <hex>	
		DATA_UPDTAB SPB8N500	4F <hex>	
		DATA_UPDTAB SPB8N500	A8E20000 <hex>	
		DATA_UPDTAB SPB8N500	C080FFFF <hex>	
		DATA_UPDTAB SPB8N500	FFFF8001 <hex>	
		DATA_UPDTAB SPB8N500	FFFF98E4 <hex>	
		DATA_UPDTAB SPB8N500	FFFFF574 <hex>	
		DATA_UPDTAB SPB8N500	FFFFF76F <hex>	
		DATA_UPDTAB SPB8N500	C0000000 <hex>	
		DATA_UPDTAB SPB8N500	C0000000 <hex>	
		DATA_UPDTAB SPB8N500	F0670020 <hex>	
		DATA_UPDTAB SPB8N500	C0000000 <hex>	
		DATA_UPDTAB SPB8N500	F0670020 <hex>	
		DATA_UPDTAB SPB8N500	C0000000 <hex>	
		DATA_UPDTAB SPB8N500	0 <hex>	
		DATA_UPDTAB SPB8N500	0 <hex>	
		DATA_UPDTAB SPB8N500	0 <hex>	
		DATA_UPDTAB SPB8N500	2 <hex>	
		DATA_UPDTAB SPB8N500	10 <hex>	
		DATA_UPDTAB SPB8N500	6 <hex>	
		DATA_UPDTAB SPB8N500	50 <hex>	
		DATA_UPDTAB SPB8N500	A8E20000 <hex>	
		TC Control Flags :		
			GBM IL DSE	

		Subsch. ID : 370		
		Det. descr. : UPDATE CONTENTS OF A TABLE		

SPIRE ON, DPU_START - Switch ON the redundant SPIRE units
 File: H_COP_SPI_RSON.xls
 Author: L.Lucas-hp



Step No.	Time	Activity/Remarks	TC/TLM	Display/ Branch
	ET=+00.00.01 UT=+00.00.01	UPDATE_TABLE	SCB02500	
		UPDATE_TABLE		
		Command Parameter(s) :		
		TABLEID_UPDTAB SPB8N500	5 <hex>	
		INDEX_UPDTAB SPB6N500	57E <hex>	
		N_UPDTAB SPB7N500	38 <dec>	
		DATA_UPDTAB SPB8N500	C080FFFF <hex>	
		DATA_UPDTAB SPB8N500	FFFF8001 <hex>	
		DATA_UPDTAB SPB8N500	FFFF98E4 <hex>	
		DATA_UPDTAB SPB8N500	FFFFF574 <hex>	
		DATA_UPDTAB SPB8N500	FFFFF76F <hex>	
		DATA_UPDTAB SPB8N500	C0000000 <hex>	
		DATA_UPDTAB SPB8N500	C0000000 <hex>	
		DATA_UPDTAB SPB8N500	E0FE6709 <hex>	
		DATA_UPDTAB SPB8N500	C0000000 <hex>	
		DATA_UPDTAB SPB8N500	E0FE6709 <hex>	
		DATA_UPDTAB SPB8N500	C0000000 <hex>	
		DATA_UPDTAB SPB8N500	0 <hex>	
		DATA_UPDTAB SPB8N500	0 <hex>	
		DATA_UPDTAB SPB8N500	0 <hex>	
		DATA_UPDTAB SPB8N500	2 <hex>	
		DATA_UPDTAB SPB8N500	10 <hex>	
		DATA_UPDTAB SPB8N500	5 <hex>	
		DATA_UPDTAB SPB8N500	51 <hex>	
		DATA_UPDTAB SPB8N500	A8E30000 <hex>	
		DATA_UPDTAB SPB8N500	C080FFFF <hex>	
		DATA_UPDTAB SPB8N500	FFFFF3B9 <hex>	
		DATA_UPDTAB SPB8N500	FFFFE89A <hex>	
		DATA_UPDTAB SPB8N500	FFFFDCB6 <hex>	
		DATA_UPDTAB SPB8N500	FFFFD0DF <hex>	
		DATA_UPDTAB SPB8N500	C0000000 <hex>	
		DATA_UPDTAB SPB8N500	C0000000 <hex>	
		DATA_UPDTAB SPB8N500	F0670021 <hex>	
		DATA_UPDTAB SPB8N500	C0000000 <hex>	
		DATA_UPDTAB SPB8N500	F0670021 <hex>	
		DATA_UPDTAB SPB8N500	C0000000 <hex>	
		DATA_UPDTAB SPB8N500	0 <hex>	
		DATA_UPDTAB SPB8N500	0 <hex>	
		DATA_UPDTAB SPB8N500	0 <hex>	
		DATA_UPDTAB SPB8N500	1 <hex>	
		DATA_UPDTAB SPB8N500	11 <hex>	
		DATA_UPDTAB SPB8N500	52 <hex>	
		DATA_UPDTAB SPB8N500	A8E40000 <hex>	
		DATA_UPDTAB SPB8N500	C080FFFF <hex>	
		TC Control Flags :		
			GBM IL DSE	

		Subsch. ID : 370		
		Det. descr. : UPDATE CONTENTS OF A TABLE		

SPIRE ON, DPU_START - Switch ON the redundant SPIRE units
 File: H_COP_SPI_RSON.xls
 Author: L.Lucas-hp



Step No.	Time	Activity/Remarks	TC/TLM	Display/ Branch
	ET=+00.00.01 UT=+00.00.01	UPDATE_TABLE		
		UPDATE_TABLE	SCB02500	
		Command Parameter(s) :		
		TABLEID_UPDTAB SPB8N500	5 <hex>	
		INDEX_UPDTAB SPB6N500	5A4 <hex>	
		N_UPDTAB SPB7N500	38 <dec>	
		DATA_UPDTAB SPB8N500	FFFFFFC1A <hex>	
		DATA_UPDTAB SPB8N500	FFFFFF59E <hex>	
		DATA_UPDTAB SPB8N500	FFFFFF281 <hex>	
		DATA_UPDTAB SPB8N500	FFFFFF007 <hex>	
		DATA_UPDTAB SPB8N500	C0000000 <hex>	
		DATA_UPDTAB SPB8N500	C0000000 <hex>	
		DATA_UPDTAB SPB8N500	F0670022 <hex>	
		DATA_UPDTAB SPB8N500	C0000000 <hex>	
		DATA_UPDTAB SPB8N500	F0670022 <hex>	
		DATA_UPDTAB SPB8N500	C0000000 <hex>	
		DATA_UPDTAB SPB8N500	0 <hex>	
		DATA_UPDTAB SPB8N500	0 <hex>	
		DATA_UPDTAB SPB8N500	0 <hex>	
		DATA_UPDTAB SPB8N500	1 <hex>	
		DATA_UPDTAB SPB8N500	12 <hex>	
		DATA_UPDTAB SPB8N500	53 <hex>	
		DATA_UPDTAB SPB8N500	A8E50000 <hex>	
		DATA_UPDTAB SPB8N500	C080FFFF <hex>	
		DATA_UPDTAB SPB8N500	FFFFFF39A <hex>	
		DATA_UPDTAB SPB8N500	FFFFFEDE4 <hex>	
		DATA_UPDTAB SPB8N500	FFFFFE3B3 <hex>	
		DATA_UPDTAB SPB8N500	FFFFD198 <hex>	
		DATA_UPDTAB SPB8N500	C0000000 <hex>	
		DATA_UPDTAB SPB8N500	C0000000 <hex>	
		DATA_UPDTAB SPB8N500	F0670023 <hex>	
		DATA_UPDTAB SPB8N500	C0000000 <hex>	
		DATA_UPDTAB SPB8N500	F0670023 <hex>	
		DATA_UPDTAB SPB8N500	C0000000 <hex>	
		DATA_UPDTAB SPB8N500	0 <hex>	
		DATA_UPDTAB SPB8N500	0 <hex>	
		DATA_UPDTAB SPB8N500	0 <hex>	
		DATA_UPDTAB SPB8N500	1 <hex>	
		DATA_UPDTAB SPB8N500	13 <hex>	
		DATA_UPDTAB SPB8N500	54 <hex>	
		DATA_UPDTAB SPB8N500	A8E60000 <hex>	
		DATA_UPDTAB SPB8N500	C080FFFF <hex>	
		DATA_UPDTAB SPB8N500	FFFFFF4A2 <hex>	
		DATA_UPDTAB SPB8N500	FFFFFEF4A <hex>	
		TC Control Flags :		
			GBM IL DSE	

		Subsch. ID : 370		
		Det. descr. : UPDATE CONTENTS OF A TABLE		

SPIRE ON, DPU_START - Switch ON the redundant SPIRE units
 File: H_COP_SPI_RSON.xls
 Author: L.Lucas-hp



Step No.	Time	Activity/Remarks	TC/TLM	Display/ Branch
	ET=+00.00.01 UT=+00.00.01	UPDATE_TABLE		
		UPDATE_TABLE	SCB02500	
		Command Parameter(s) :		
		TABLEID_UPDTAB SPB8N500	5 <hex>	
		INDEX_UPDTAB SPB6N500	5CA <hex>	
		N_UPDTAB SPB7N500	38 <dec>	
		DATA_UPDTAB SPB8N500	FFFFE582 <hex>	
		DATA_UPDTAB SPB8N500	FFFFD3E0 <hex>	
		DATA_UPDTAB SPB8N500	C0000000 <hex>	
		DATA_UPDTAB SPB8N500	C0000000 <hex>	
		DATA_UPDTAB SPB8N500	F0670024 <hex>	
		DATA_UPDTAB SPB8N500	C0000000 <hex>	
		DATA_UPDTAB SPB8N500	F0670024 <hex>	
		DATA_UPDTAB SPB8N500	C0000000 <hex>	
		DATA_UPDTAB SPB8N500	0 <hex>	
		DATA_UPDTAB SPB8N500	0 <hex>	
		DATA_UPDTAB SPB8N500	0 <hex>	
		DATA_UPDTAB SPB8N500	1 <hex>	
		DATA_UPDTAB SPB8N500	14 <hex>	
		DATA_UPDTAB SPB8N500	55 <hex>	
		DATA_UPDTAB SPB8N500	A8E70000 <hex>	
		DATA_UPDTAB SPB8N500	C080FFFF <hex>	
		DATA_UPDTAB SPB8N500	FFFFFFB48 <hex>	
		DATA_UPDTAB SPB8N500	FFFFFFD09 <hex>	
		DATA_UPDTAB SPB8N500	FFFFEC02 <hex>	
		DATA_UPDTAB SPB8N500	FFFFE81F <hex>	
		DATA_UPDTAB SPB8N500	C0000000 <hex>	
		DATA_UPDTAB SPB8N500	C0000000 <hex>	
		DATA_UPDTAB SPB8N500	F0670025 <hex>	
		DATA_UPDTAB SPB8N500	C0000000 <hex>	
		DATA_UPDTAB SPB8N500	F0670025 <hex>	
		DATA_UPDTAB SPB8N500	C0000000 <hex>	
		DATA_UPDTAB SPB8N500	0 <hex>	
		DATA_UPDTAB SPB8N500	0 <hex>	
		DATA_UPDTAB SPB8N500	0 <hex>	
		DATA_UPDTAB SPB8N500	1 <hex>	
		DATA_UPDTAB SPB8N500	15 <hex>	
		DATA_UPDTAB SPB8N500	56 <hex>	
		DATA_UPDTAB SPB8N500	A8E80000 <hex>	
		DATA_UPDTAB SPB8N500	C080FFFF <hex>	
		DATA_UPDTAB SPB8N500	FFFFFCDF <hex>	
		DATA_UPDTAB SPB8N500	FFFFF477 <hex>	
		DATA_UPDTAB SPB8N500	FFFFF058 <hex>	
		DATA_UPDTAB SPB8N500	FFFFE432 <hex>	
		TC Control Flags :		
			GBM IL DSE	

		Subsch. ID : 370		
		Det. descr. : UPDATE CONTENTS OF A TABLE		

SPIRE ON, DPU_START - Switch ON the redundant SPIRE units
 File: H_COP_SPI_RSON.xls
 Author: L.Lucas-hp



Step No.	Time	Activity/Remarks	TC/TLM	Display/ Branch
	ET=+00.00.01 UT=+00.00.01	UPDATE_TABLE	SCB02500	
		UPDATE_TABLE		
		Command Parameter(s) :		
		TABLEID_UPDTAB SPB8N500	5 <hex>	
		INDEX_UPDTAB SPB6N500	5F0 <hex>	
		N_UPDTAB SPB7N500	38 <dec>	
		DATA_UPDTAB SPB8N500	C0000000 <hex>	
		DATA_UPDTAB SPB8N500	C0000000 <hex>	
		DATA_UPDTAB SPB8N500	F0670026 <hex>	
		DATA_UPDTAB SPB8N500	C0000000 <hex>	
		DATA_UPDTAB SPB8N500	F0670026 <hex>	
		DATA_UPDTAB SPB8N500	C0000000 <hex>	
		DATA_UPDTAB SPB8N500	0 <hex>	
		DATA_UPDTAB SPB8N500	0 <hex>	
		DATA_UPDTAB SPB8N500	0 <hex>	
		DATA_UPDTAB SPB8N500	1 <hex>	
		DATA_UPDTAB SPB8N500	16 <hex>	
		DATA_UPDTAB SPB8N500	57 <hex>	
		DATA_UPDTAB SPB8N500	A8E90000 <hex>	
		DATA_UPDTAB SPB8N500	C080FFFF <hex>	
		DATA_UPDTAB SPB8N500	FFFFFFB31 <hex>	
		DATA_UPDTAB SPB8N500	FFFFFFE5D <hex>	
		DATA_UPDTAB SPB8N500	FFFFFFE9A2 <hex>	
		DATA_UPDTAB SPB8N500	FFFFFFE4EE <hex>	
		DATA_UPDTAB SPB8N500	C0000000 <hex>	
		DATA_UPDTAB SPB8N500	C0000000 <hex>	
		DATA_UPDTAB SPB8N500	F0670027 <hex>	
		DATA_UPDTAB SPB8N500	C0000000 <hex>	
		DATA_UPDTAB SPB8N500	F0670027 <hex>	
		DATA_UPDTAB SPB8N500	C0000000 <hex>	
		DATA_UPDTAB SPB8N500	C0000000 <hex>	
		DATA_UPDTAB SPB8N500	0 <hex>	
		DATA_UPDTAB SPB8N500	0 <hex>	
		DATA_UPDTAB SPB8N500	0 <hex>	
		DATA_UPDTAB SPB8N500	0 <hex>	
		DATA_UPDTAB SPB8N500	1 <hex>	
		DATA_UPDTAB SPB8N500	17 <hex>	
		DATA_UPDTAB SPB8N500	58 <hex>	
		DATA_UPDTAB SPB8N500	A8EA0000 <hex>	
		DATA_UPDTAB SPB8N500	C080FFFF <hex>	
		DATA_UPDTAB SPB8N500	FFFF8001 <hex>	
		DATA_UPDTAB SPB8N500	FFFF8FDE <hex>	
		DATA_UPDTAB SPB8N500	FFFFF2FA <hex>	
		DATA_UPDTAB SPB8N500	FFFFF448 <hex>	
		DATA_UPDTAB SPB8N500	C0000000 <hex>	
		DATA_UPDTAB SPB8N500	C0000000 <hex>	
		TC Control Flags :		
			GBM IL DSE	

		Subsch. ID : 370		
		Det. descr. : UPDATE CONTENTS OF A TABLE		

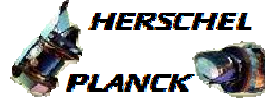
SPIRE ON, DPU_START - Switch ON the redundant SPIRE units
 File: H_COP_SPI_RSON.xls
 Author: L.Lucas-hp



Step No.	Time	Activity/Remarks	TC/TLM	Display/ Branch
	ET=+00.00.01 UT=+00.00.01	UPDATE_TABLE		
		UPDATE_TABLE	SCB02500	
		Command Parameter(s) :		
		TABLEID_UPDTAB SPB8N500	5 <hex>	
		INDEX_UPDTAB SPB6N500	616 <hex>	
		N_UPDTAB SPB7N500	38 <dec>	
		DATA_UPDTAB SPB8N500	F0670028 <hex>	
		DATA_UPDTAB SPB8N500	C0000000 <hex>	
		DATA_UPDTAB SPB8N500	F0670028 <hex>	
		DATA_UPDTAB SPB8N500	C0000000 <hex>	
		DATA_UPDTAB SPB8N500	0 <hex>	
		DATA_UPDTAB SPB8N500	0 <hex>	
		DATA_UPDTAB SPB8N500	0 <hex>	
		DATA_UPDTAB SPB8N500	1 <hex>	
		DATA_UPDTAB SPB8N500	18 <hex>	
		DATA_UPDTAB SPB8N500	59 <hex>	
		DATA_UPDTAB SPB8N500	A8EB0000 <hex>	
		DATA_UPDTAB SPB8N500	C080FFFF <hex>	
		DATA_UPDTAB SPB8N500	FFFF8001 <hex>	
		DATA_UPDTAB SPB8N500	FFFF8DEC <hex>	
		DATA_UPDTAB SPB8N500	FFFFFF2F1 <hex>	
		DATA_UPDTAB SPB8N500	FFFFFF448 <hex>	
		DATA_UPDTAB SPB8N500	C0000000 <hex>	
		DATA_UPDTAB SPB8N500	C0000000 <hex>	
		DATA_UPDTAB SPB8N500	F0670029 <hex>	
		DATA_UPDTAB SPB8N500	C0000000 <hex>	
		DATA_UPDTAB SPB8N500	F0670029 <hex>	
		DATA_UPDTAB SPB8N500	C0000000 <hex>	
		DATA_UPDTAB SPB8N500	0 <hex>	
		DATA_UPDTAB SPB8N500	0 <hex>	
		DATA_UPDTAB SPB8N500	1 <hex>	
		DATA_UPDTAB SPB8N500	19 <hex>	
		DATA_UPDTAB SPB8N500	5A <hex>	
		DATA_UPDTAB SPB8N500	A8EC0000 <hex>	
		DATA_UPDTAB SPB8N500	C080FFFF <hex>	
		DATA_UPDTAB SPB8N500	FFFFFFA4E <hex>	
		DATA_UPDTAB SPB8N500	FFFFFF1B6 <hex>	
		DATA_UPDTAB SPB8N500	FFFFEC15 <hex>	
		DATA_UPDTAB SPB8N500	FFFFE754 <hex>	
		DATA_UPDTAB SPB8N500	C0000000 <hex>	
		DATA_UPDTAB SPB8N500	C0000000 <hex>	
		DATA_UPDTAB SPB8N500	F067002A <hex>	
		DATA_UPDTAB SPB8N500	C0000000 <hex>	
		TC Control Flags :		
			GBM IL DSE	

		Subsch. ID : 370		
		Det. descr. : UPDATE CONTENTS OF A TABLE		

SPIRE ON, DPU_START - Switch ON the redundant SPIRE units
 File: H_COP_SPI_RSON.xls
 Author: L.Lucas-hp



Step No.	Time	Activity/Remarks	TC/TLM	Display/ Branch
	ET=+00.00.01 UT=+00.00.01	UPDATE_TABLE UPDATE_TABLE	SCB02500	
		Command Parameter(s) :		
		TABLEID_UPDTAB SPB8N500	5 <hex>	
		INDEX_UPDTAB SPB8N500	63C <hex>	
		N_UPDTAB SPB8N500	38 <dec>	
		DATA_UPDTAB SPB8N500	F067002A <hex>	
		DATA_UPDTAB SPB8N500	C0000000 <hex>	
		DATA_UPDTAB SPB8N500	0 <hex>	
		DATA_UPDTAB SPB8N500	0 <hex>	
		DATA_UPDTAB SPB8N500	0 <hex>	
		DATA_UPDTAB SPB8N500	1 <hex>	
		DATA_UPDTAB SPB8N500	1A <hex>	
		DATA_UPDTAB SPB8N500	5B <hex>	
		DATA_UPDTAB SPB8N500	A8ED0000 <hex>	
		DATA_UPDTAB SPB8N500	C080FFFF <hex>	
		DATA_UPDTAB SPB8N500	FFFFFF9A0 <hex>	
		DATA_UPDTAB SPB8N500	FFFFEDC5 <hex>	
		DATA_UPDTAB SPB8N500	FFFFE86F <hex>	
		DATA_UPDTAB SPB8N500	FFFFE432 <hex>	
		DATA_UPDTAB SPB8N500	C0000000 <hex>	
		DATA_UPDTAB SPB8N500	C0000000 <hex>	
		DATA_UPDTAB SPB8N500	F067002B <hex>	
		DATA_UPDTAB SPB8N500	C0000000 <hex>	
		DATA_UPDTAB SPB8N500	F067002B <hex>	
		DATA_UPDTAB SPB8N500	C0000000 <hex>	
		DATA_UPDTAB SPB8N500	0 <hex>	
		DATA_UPDTAB SPB8N500	0 <hex>	
		DATA_UPDTAB SPB8N500	0 <hex>	
		DATA_UPDTAB SPB8N500	1 <hex>	
		DATA_UPDTAB SPB8N500	1B <hex>	
		DATA_UPDTAB SPB8N500	5C <hex>	
		DATA_UPDTAB SPB8N500	A8EE0000 <hex>	
		DATA_UPDTAB SPB8N500	C080FFFF <hex>	
		DATA_UPDTAB SPB8N500	FFFFF39B <hex>	
		DATA_UPDTAB SPB8N500	FFFFD6C5 <hex>	
		DATA_UPDTAB SPB8N500	FFFFC93F <hex>	
		DATA_UPDTAB SPB8N500	FFFFBE61 <hex>	
		DATA_UPDTAB SPB8N500	C0000000 <hex>	
		DATA_UPDTAB SPB8N500	C0000000 <hex>	
		DATA_UPDTAB SPB8N500	F067002C <hex>	
		DATA_UPDTAB SPB8N500	C0000000 <hex>	
		DATA_UPDTAB SPB8N500	F067002C <hex>	
		DATA_UPDTAB SPB8N500	C0000000 <hex>	
		TC Control Flags :		
			GBM IL DSE	

		Subsch. ID : 370		
		Det. descr. : UPDATE CONTENTS OF A TABLE		

SPIRE ON, DPU_START - Switch ON the redundant SPIRE units
 File: H_COP_SPI_RSON.xls
 Author: L.Lucas-hp



Step No.	Time	Activity/Remarks	TC/TLM	Display/ Branch
	ET=+00.00.01 UT=+00.00.01	UPDATE_TABLE		
		UPDATE_TABLE	SCB02500	
		Command Parameter(s) :		
		TABLEID_UPDTAB SPB8N500	5 <hex>	
		INDEX_UPDTAB SPB6N500	662 <hex>	
		N_UPDTAB SPB7N500	38 <dec>	
		DATA_UPDTAB SPB8N500	0 <hex>	
		DATA_UPDTAB SPB8N500	0 <hex>	
		DATA_UPDTAB SPB8N500	0 <hex>	
		DATA_UPDTAB SPB8N500	1 <hex>	
		DATA_UPDTAB SPB8N500	1C <hex>	
		DATA_UPDTAB SPB8N500	5D <hex>	
		DATA_UPDTAB SPB8N500	A8EF0000 <hex>	
		DATA_UPDTAB SPB8N500	C080FFFF <hex>	
		DATA_UPDTAB SPB8N500	FFFFE459 <hex>	
		DATA_UPDTAB SPB8N500	FFFFBA29 <hex>	
		DATA_UPDTAB SPB8N500	FFFFA81C <hex>	
		DATA_UPDTAB SPB8N500	FFFF99E7 <hex>	
		DATA_UPDTAB SPB8N500	C0000000 <hex>	
		DATA_UPDTAB SPB8N500	C0000000 <hex>	
		DATA_UPDTAB SPB8N500	F067002D <hex>	
		DATA_UPDTAB SPB8N500	C0000000 <hex>	
		DATA_UPDTAB SPB8N500	F067002D <hex>	
		DATA_UPDTAB SPB8N500	C0000000 <hex>	
		DATA_UPDTAB SPB8N500	0 <hex>	
		DATA_UPDTAB SPB8N500	0 <hex>	
		DATA_UPDTAB SPB8N500	0 <hex>	
		DATA_UPDTAB SPB8N500	1 <hex>	
		DATA_UPDTAB SPB8N500	1D <hex>	
		DATA_UPDTAB SPB8N500	5E <hex>	
		DATA_UPDTAB SPB8N500	A8C40000 <hex>	
		DATA_UPDTAB SPB8N500	C080FFFF <hex>	
		DATA_UPDTAB SPB8N500	8000 <hex>	
		DATA_UPDTAB SPB8N500	8000 <hex>	
		DATA_UPDTAB SPB8N500	FFFF7FFF <hex>	
		DATA_UPDTAB SPB8N500	FFFF7FFF <hex>	
		DATA_UPDTAB SPB8N500	C0000000 <hex>	
		DATA_UPDTAB SPB8N500	C0000000 <hex>	
		DATA_UPDTAB SPB8N500	E0FE6709 <hex>	
		DATA_UPDTAB SPB8N500	C0000000 <hex>	
		DATA_UPDTAB SPB8N500	E0FE6709 <hex>	
		DATA_UPDTAB SPB8N500	C0000000 <hex>	
		DATA_UPDTAB SPB8N500	0 <hex>	
		DATA_UPDTAB SPB8N500	0 <hex>	
		TC Control Flags :		
			GBM IL DSE	

		Subsch. ID : 370		
		Det. descr. : UPDATE CONTENTS OF A TABLE		

SPIRE ON, DPU_START - Switch ON the redundant SPIRE units
 File: H_COP_SPI_RSON.xls
 Author: L.Lucas-hp



Step No.	Time	Activity/Remarks	TC/TLM	Display/ Branch
	ET=+00.00.01 UT=+00.00.01	UPDATE_TABLE	SCB02500	
		UPDATE_TABLE		
		Command Parameter(s) :		
		TABLEID_UPDTAB SPB5N500	5 <hex>	
		INDEX_UPDTAB SPB6N500	688 <hex>	
		N_UPDTAB SPB7N500	38 <dec>	
		DATA_UPDTAB SPB8N500	0 <hex>	
		DATA_UPDTAB SPB8N500	2 <hex>	
		DATA_UPDTAB SPB8N500	1 <hex>	
		DATA_UPDTAB SPB8N500	5 <hex>	
		DATA_UPDTAB SPB8N500	5F <hex>	
		DATA_UPDTAB SPB8N500	A8C40000 <hex>	
		DATA_UPDTAB SPB8N500	C080FFFF <hex>	
		DATA_UPDTAB SPB8N500	8000 <hex>	
		DATA_UPDTAB SPB8N500	8000 <hex>	
		DATA_UPDTAB SPB8N500	FFFF7FFF <hex>	
		DATA_UPDTAB SPB8N500	FFFF7FFF <hex>	
		DATA_UPDTAB SPB8N500	C0000000 <hex>	
		DATA_UPDTAB SPB8N500	C0000000 <hex>	
		DATA_UPDTAB SPB8N500	F067000C <hex>	
		DATA_UPDTAB SPB8N500	C0000000 <hex>	
		DATA_UPDTAB SPB8N500	F067000C <hex>	
		DATA_UPDTAB SPB8N500	C0000000 <hex>	
		DATA_UPDTAB SPB8N500	0 <hex>	
		DATA_UPDTAB SPB8N500	0 <hex>	
		DATA_UPDTAB SPB8N500	0 <hex>	
		DATA_UPDTAB SPB8N500	2 <hex>	
		DATA_UPDTAB SPB8N500	1 <hex>	
		DATA_UPDTAB SPB8N500	6 <hex>	
		DATA_UPDTAB SPB8N500	60 <hex>	
		DATA_UPDTAB SPB8N500	A8C50000 <hex>	
		DATA_UPDTAB SPB8N500	C080FFFF <hex>	
		DATA_UPDTAB SPB8N500	8000 <hex>	
		DATA_UPDTAB SPB8N500	8000 <hex>	
		DATA_UPDTAB SPB8N500	FFFF7FFF <hex>	
		DATA_UPDTAB SPB8N500	FFFF7FFF <hex>	
		DATA_UPDTAB SPB8N500	C0000000 <hex>	
		DATA_UPDTAB SPB8N500	C0000000 <hex>	
		DATA_UPDTAB SPB8N500	E0FE6709 <hex>	
		DATA_UPDTAB SPB8N500	C0000000 <hex>	
		DATA_UPDTAB SPB8N500	E0FE6709 <hex>	
		DATA_UPDTAB SPB8N500	C0000000 <hex>	
		DATA_UPDTAB SPB8N500	0 <hex>	
		DATA_UPDTAB SPB8N500	0 <hex>	
		TC Control Flags :		
			GBM IL DSE	

		Subsch. ID : 370		
		Det. descr. : UPDATE CONTENTS OF A TABLE		

SPIRE ON, DPU_START - Switch ON the redundant SPIRE units
 File: H_COP_SPI_RSON.xls
 Author: L.Lucas-hp



Step No.	Time	Activity/Remarks	TC/TLM	Display/ Branch
	ET=+00.00.01 UT=+00.00.01	UPDATE_TABLE		
		UPDATE_TABLE	SCB02500	
		Command Parameter(s) :		
		TABLEID_UPDTAB SPB8N500	5 <hex>	
		INDEX_UPDTAB SPB6N500	6AE <hex>	
		N_UPDTAB SPB7N500	38 <dec>	
		DATA_UPDTAB SPB8N500	0 <hex>	
		DATA_UPDTAB SPB8N500	2 <hex>	
		DATA_UPDTAB SPB8N500	1 <hex>	
		DATA_UPDTAB SPB8N500	5 <hex>	
		DATA_UPDTAB SPB8N500	61 <hex>	
		DATA_UPDTAB SPB8N500	A8C50000 <hex>	
		DATA_UPDTAB SPB8N500	C080FFFF <hex>	
		DATA_UPDTAB SPB8N500	8000 <hex>	
		DATA_UPDTAB SPB8N500	8000 <hex>	
		DATA_UPDTAB SPB8N500	FFFF7FFF <hex>	
		DATA_UPDTAB SPB8N500	FFFF7FFF <hex>	
		DATA_UPDTAB SPB8N500	C0000000 <hex>	
		DATA_UPDTAB SPB8N500	C0000000 <hex>	
		DATA_UPDTAB SPB8N500	F067000C <hex>	
		DATA_UPDTAB SPB8N500	C0000000 <hex>	
		DATA_UPDTAB SPB8N500	F067000C <hex>	
		DATA_UPDTAB SPB8N500	C0000000 <hex>	
		DATA_UPDTAB SPB8N500	0 <hex>	
		DATA_UPDTAB SPB8N500	0 <hex>	
		DATA_UPDTAB SPB8N500	0 <hex>	
		DATA_UPDTAB SPB8N500	2 <hex>	
		DATA_UPDTAB SPB8N500	1 <hex>	
		DATA_UPDTAB SPB8N500	6 <hex>	
		DATA_UPDTAB SPB8N500	62 <hex>	
		DATA_UPDTAB SPB8N500	A8C70000 <hex>	
		DATA_UPDTAB SPB8N500	C080FFFF <hex>	
		DATA_UPDTAB SPB8N500	8000 <hex>	
		DATA_UPDTAB SPB8N500	8000 <hex>	
		DATA_UPDTAB SPB8N500	FFFF7FFF <hex>	
		DATA_UPDTAB SPB8N500	FFFF7FFF <hex>	
		DATA_UPDTAB SPB8N500	C0000000 <hex>	
		DATA_UPDTAB SPB8N500	C0000000 <hex>	
		DATA_UPDTAB SPB8N500	E0FE6709 <hex>	
		DATA_UPDTAB SPB8N500	C0000000 <hex>	
		DATA_UPDTAB SPB8N500	E0FE6709 <hex>	
		DATA_UPDTAB SPB8N500	C0000000 <hex>	
		DATA_UPDTAB SPB8N500	0 <hex>	
		DATA_UPDTAB SPB8N500	0 <hex>	
		TC Control Flags :		
			GBM IL DSE	

		Subsch. ID : 370		
		Det. descr. : UPDATE CONTENTS OF A TABLE		

SPIRE ON, DPU_START - Switch ON the redundant SPIRE units
 File: H_COP_SPI_RSON.xls
 Author: L.Lucas-hp



Step No.	Time	Activity/Remarks	TC/TLM	Display/ Branch
	ET=+00.00.01 UT=+00.00.01	UPDATE_TABLE		
		UPDATE_TABLE	SCB02500	
		Command Parameter(s) :		
		TABLEID_UPDTAB SPB8N500	5 <hex>	
		INDEX_UPDTAB SPB6N500	6D4 <hex>	
		N_UPDTAB SPB7N500	38 <dec>	
		DATA_UPDTAB SPB8N500	0 <hex>	
		DATA_UPDTAB SPB8N500	2 <hex>	
		DATA_UPDTAB SPB8N500	1 <hex>	
		DATA_UPDTAB SPB8N500	5 <hex>	
		DATA_UPDTAB SPB8N500	63 <hex>	
		DATA_UPDTAB SPB8N500	A8C70000 <hex>	
		DATA_UPDTAB SPB8N500	C080FFFF <hex>	
		DATA_UPDTAB SPB8N500	8000 <hex>	
		DATA_UPDTAB SPB8N500	8000 <hex>	
		DATA_UPDTAB SPB8N500	FFFF7FFF <hex>	
		DATA_UPDTAB SPB8N500	FFFF7FFF <hex>	
		DATA_UPDTAB SPB8N500	C0000000 <hex>	
		DATA_UPDTAB SPB8N500	C0000000 <hex>	
		DATA_UPDTAB SPB8N500	F067000B <hex>	
		DATA_UPDTAB SPB8N500	C0000000 <hex>	
		DATA_UPDTAB SPB8N500	F067000B <hex>	
		DATA_UPDTAB SPB8N500	C0000000 <hex>	
		DATA_UPDTAB SPB8N500	0 <hex>	
		DATA_UPDTAB SPB8N500	0 <hex>	
		DATA_UPDTAB SPB8N500	0 <hex>	
		DATA_UPDTAB SPB8N500	2 <hex>	
		DATA_UPDTAB SPB8N500	1 <hex>	
		DATA_UPDTAB SPB8N500	6 <hex>	
		DATA_UPDTAB SPB8N500	64 <hex>	
		DATA_UPDTAB SPB8N500	A8C60000 <hex>	
		DATA_UPDTAB SPB8N500	C080FFFF <hex>	
		DATA_UPDTAB SPB8N500	8000 <hex>	
		DATA_UPDTAB SPB8N500	8000 <hex>	
		DATA_UPDTAB SPB8N500	FFFF7FFF <hex>	
		DATA_UPDTAB SPB8N500	FFFF7FFF <hex>	
		DATA_UPDTAB SPB8N500	C0000000 <hex>	
		DATA_UPDTAB SPB8N500	C0000000 <hex>	
		DATA_UPDTAB SPB8N500	F067000A <hex>	
		DATA_UPDTAB SPB8N500	C0000000 <hex>	
		DATA_UPDTAB SPB8N500	F067000A <hex>	
		DATA_UPDTAB SPB8N500	C0000000 <hex>	
		DATA_UPDTAB SPB8N500	0 <hex>	
		DATA_UPDTAB SPB8N500	0 <hex>	
		TC Control Flags :		
			GBM IL DSE	

		Subsch. ID : 370		
		Det. descr. : UPDATE CONTENTS OF A TABLE		

SPIRE ON, DPU_START - Switch ON the redundant SPIRE units
 File: H_COP_SPI_RSON.xls
 Author: L.Lucas-hp



Step No.	Time	Activity/Remarks	TC/TLM	Display/ Branch
	ET=+00.00.01 UT=+00.00.01	UPDATE_TABLE		
		UPDATE_TABLE	SCB02500	
		Command Parameter(s) :		
		TABLEID_UPDTAB SPB8N500	5 <hex>	
		INDEX_UPDTAB SPB6N500	6FA <hex>	
		N_UPDTAB SPB7N500	38 <dec>	
		DATA_UPDTAB SPB8N500	0 <hex>	
		DATA_UPDTAB SPB8N500	1 <hex>	
		DATA_UPDTAB SPB8N500	1 <hex>	
		DATA_UPDTAB SPB8N500	65 <hex>	
		DATA_UPDTAB SPB8N500	A8C90000 <hex>	
		DATA_UPDTAB SPB8N500	C080FFFF <hex>	
		DATA_UPDTAB SPB8N500	8000 <hex>	
		DATA_UPDTAB SPB8N500	8000 <hex>	
		DATA_UPDTAB SPB8N500	FFFF7FFF <hex>	
		DATA_UPDTAB SPB8N500	FFFF7FFF <hex>	
		DATA_UPDTAB SPB8N500	C0000000 <hex>	
		DATA_UPDTAB SPB8N500	C0000000 <hex>	
		DATA_UPDTAB SPB8N500	F0670004 <hex>	
		DATA_UPDTAB SPB8N500	C0000000 <hex>	
		DATA_UPDTAB SPB8N500	F0670004 <hex>	
		DATA_UPDTAB SPB8N500	C0000000 <hex>	
		DATA_UPDTAB SPB8N500	0 <hex>	
		DATA_UPDTAB SPB8N500	0 <hex>	
		DATA_UPDTAB SPB8N500	0 <hex>	
		DATA_UPDTAB SPB8N500	1 <hex>	
		DATA_UPDTAB SPB8N500	1 <hex>	
		DATA_UPDTAB SPB8N500	66 <hex>	
		DATA_UPDTAB SPB8N500	A8C80000 <hex>	
		DATA_UPDTAB SPB8N500	C080FFFF <hex>	
		DATA_UPDTAB SPB8N500	8000 <hex>	
		DATA_UPDTAB SPB8N500	8000 <hex>	
		DATA_UPDTAB SPB8N500	FFFF7FFF <hex>	
		DATA_UPDTAB SPB8N500	FFFF7FFF <hex>	
		DATA_UPDTAB SPB8N500	C0000000 <hex>	
		DATA_UPDTAB SPB8N500	C0000000 <hex>	
		DATA_UPDTAB SPB8N500	F0670004 <hex>	
		DATA_UPDTAB SPB8N500	C0000000 <hex>	
		DATA_UPDTAB SPB8N500	F0670004 <hex>	
		DATA_UPDTAB SPB8N500	C0000000 <hex>	
		DATA_UPDTAB SPB8N500	0 <hex>	
		DATA_UPDTAB SPB8N500	0 <hex>	
		DATA_UPDTAB SPB8N500	0 <hex>	
		DATA_UPDTAB SPB8N500	1 <hex>	
		TC Control Flags :		
			GBM IL DSE	

		Subsch. ID : 370		
		Det. descr. : UPDATE CONTENTS OF A TABLE		

SPIRE ON, DPU_START - Switch ON the redundant SPIRE units
 File: H_COP_SPI_RSON.xls
 Author: L.Lucas-hp



Step No.	Time	Activity/Remarks	TC/TLM	Display/ Branch
	ET=+00.00.01 UT=+00.00.01	UPDATE_TABLE		
		UPDATE_TABLE	SCB02500	
		Command Parameter(s) :		
		TABLEID_UPDTAB SPB8N500	5 <hex>	
		INDEX_UPDTAB SPB6N500	720 <hex>	
		N_UPDTAB SPB7N500	38 <dec>	
		DATA_UPDTAB SPB8N500	1 <hex>	
		DATA_UPDTAB SPB8N500	67 <hex>	
		DATA_UPDTAB SPB8N500	A8CD0000 <hex>	
		DATA_UPDTAB SPB8N500	C080FFFF <hex>	
		DATA_UPDTAB SPB8N500	8000 <hex>	
		DATA_UPDTAB SPB8N500	8000 <hex>	
		DATA_UPDTAB SPB8N500	FFFF7FFF <hex>	
		DATA_UPDTAB SPB8N500	FFFF7FFF <hex>	
		DATA_UPDTAB SPB8N500	C0000000 <hex>	
		DATA_UPDTAB SPB8N500	C0000000 <hex>	
		DATA_UPDTAB SPB8N500	F0670005 <hex>	
		DATA_UPDTAB SPB8N500	C0000000 <hex>	
		DATA_UPDTAB SPB8N500	F0670005 <hex>	
		DATA_UPDTAB SPB8N500	C0000000 <hex>	
		DATA_UPDTAB SPB8N500	0 <hex>	
		DATA_UPDTAB SPB8N500	0 <hex>	
		DATA_UPDTAB SPB8N500	0 <hex>	
		DATA_UPDTAB SPB8N500	1 <hex>	
		DATA_UPDTAB SPB8N500	1 <hex>	
		DATA_UPDTAB SPB8N500	68 <hex>	
		DATA_UPDTAB SPB8N500	A8CC0000 <hex>	
		DATA_UPDTAB SPB8N500	C080FFFF <hex>	
		DATA_UPDTAB SPB8N500	8000 <hex>	
		DATA_UPDTAB SPB8N500	8000 <hex>	
		DATA_UPDTAB SPB8N500	FFFF7FFF <hex>	
		DATA_UPDTAB SPB8N500	FFFF7FFF <hex>	
		DATA_UPDTAB SPB8N500	C0000000 <hex>	
		DATA_UPDTAB SPB8N500	C0000000 <hex>	
		DATA_UPDTAB SPB8N500	F0670005 <hex>	
		DATA_UPDTAB SPB8N500	C0000000 <hex>	
		DATA_UPDTAB SPB8N500	F0670005 <hex>	
		DATA_UPDTAB SPB8N500	C0000000 <hex>	
		DATA_UPDTAB SPB8N500	0 <hex>	
		DATA_UPDTAB SPB8N500	0 <hex>	
		DATA_UPDTAB SPB8N500	0 <hex>	
		DATA_UPDTAB SPB8N500	1 <hex>	
		DATA_UPDTAB SPB8N500	1 <hex>	
		DATA_UPDTAB SPB8N500	69 <hex>	
		TC Control Flags :		
			GBM IL DSE	

		Subsch. ID : 370		
		Det. descr. : UPDATE CONTENTS OF A TABLE		

SPIRE ON, DPU_START - Switch ON the redundant SPIRE units
 File: H_COP_SPI_RSON.xls
 Author: L.Lucas-hp



Step No.	Time	Activity/Remarks	TC/TLM	Display/ Branch
	ET=+00.00.01 UT=+00.00.01	UPDATE_TABLE		
		UPDATE_TABLE	SCB02500	
		Command Parameter(s) :		
		TABLEID_UPDTAB SPB8N500	5 <hex>	
		INDEX_UPDTAB SPB6N500	746 <hex>	
		N_UPDTAB SPB7N500	38 <dec>	
		DATA_UPDTAB SPB8N500	A8CB0000 <hex>	
		DATA_UPDTAB SPB8N500	C080FFFF <hex>	
		DATA_UPDTAB SPB8N500	8000 <hex>	
		DATA_UPDTAB SPB8N500	8000 <hex>	
		DATA_UPDTAB SPB8N500	FFFF7FFF <hex>	
		DATA_UPDTAB SPB8N500	FFFF7FFF <hex>	
		DATA_UPDTAB SPB8N500	C0000000 <hex>	
		DATA_UPDTAB SPB8N500	C0000000 <hex>	
		DATA_UPDTAB SPB8N500	F0670005 <hex>	
		DATA_UPDTAB SPB8N500	C0000000 <hex>	
		DATA_UPDTAB SPB8N500	F0670005 <hex>	
		DATA_UPDTAB SPB8N500	C0000000 <hex>	
		DATA_UPDTAB SPB8N500	0 <hex>	
		DATA_UPDTAB SPB8N500	0 <hex>	
		DATA_UPDTAB SPB8N500	0 <hex>	
		DATA_UPDTAB SPB8N500	1 <hex>	
		DATA_UPDTAB SPB8N500	1 <hex>	
		DATA_UPDTAB SPB8N500	6A <hex>	
		DATA_UPDTAB SPB8N500	A8CA0000 <hex>	
		DATA_UPDTAB SPB8N500	C080FFFF <hex>	
		DATA_UPDTAB SPB8N500	8000 <hex>	
		DATA_UPDTAB SPB8N500	8000 <hex>	
		DATA_UPDTAB SPB8N500	FFFF7FFF <hex>	
		DATA_UPDTAB SPB8N500	FFFF7FFF <hex>	
		DATA_UPDTAB SPB8N500	C0000000 <hex>	
		DATA_UPDTAB SPB8N500	C0000000 <hex>	
		DATA_UPDTAB SPB8N500	F0670005 <hex>	
		DATA_UPDTAB SPB8N500	C0000000 <hex>	
		DATA_UPDTAB SPB8N500	F0670005 <hex>	
		DATA_UPDTAB SPB8N500	C0000000 <hex>	
		DATA_UPDTAB SPB8N500	0 <hex>	
		DATA_UPDTAB SPB8N500	0 <hex>	
		DATA_UPDTAB SPB8N500	0 <hex>	
		DATA_UPDTAB SPB8N500	1 <hex>	
		DATA_UPDTAB SPB8N500	1 <hex>	
		DATA_UPDTAB SPB8N500	6B <hex>	
		DATA_UPDTAB SPB8N500	A8F00000 <hex>	
		DATA_UPDTAB SPB8N500	C080FFFF <hex>	
		TC Control Flags :		
			GBM IL DSE	

		Subsch. ID : 370		
		Det. descr. : UPDATE CONTENTS OF A TABLE		

SPIRE ON, DPU_START - Switch ON the redundant SPIRE units
 File: H_COP_SPI_RSON.xls
 Author: L.Lucas-hp



Step No.	Time	Activity/Remarks	TC/TLM	Display/ Branch
	ET=+00.00.01 UT=+00.00.01	UPDATE_TABLE		
		UPDATE_TABLE	SCB02500	
		Command Parameter(s) :		
		TABLEID_UPDTAB SPB8N500	5 <hex>	
		INDEX_UPDTAB SPB6N500	76C <hex>	
		N_UPDTAB SPB7N500	38 <dec>	
		DATA_UPDTAB SPB8N500	7FEE <hex>	
		DATA_UPDTAB SPB8N500	7FE0 <hex>	
		DATA_UPDTAB SPB8N500	FFFFFFC18 <hex>	
		DATA_UPDTAB SPB8N500	FFFFFFB1E0 <hex>	
		DATA_UPDTAB SPB8N500	C0000000 <hex>	
		DATA_UPDTAB SPB8N500	C0000000 <hex>	
		DATA_UPDTAB SPB8N500	F067000D <hex>	
		DATA_UPDTAB SPB8N500	C0000000 <hex>	
		DATA_UPDTAB SPB8N500	F067000D <hex>	
		DATA_UPDTAB SPB8N500	C0000000 <hex>	
		DATA_UPDTAB SPB8N500	F067000D <hex>	
		DATA_UPDTAB SPB8N500	C0000000 <hex>	
		DATA_UPDTAB SPB8N500	0 <hex>	
		DATA_UPDTAB SPB8N500	0 <hex>	
		DATA_UPDTAB SPB8N500	0 <hex>	
		DATA_UPDTAB SPB8N500	0 <hex>	
		DATA_UPDTAB SPB8N500	2 <hex>	
		DATA_UPDTAB SPB8N500	1E <hex>	
		DATA_UPDTAB SPB8N500	7 <hex>	
		DATA_UPDTAB SPB8N500	6C <hex>	
		DATA_UPDTAB SPB8N500	98600000 <hex>	
		DATA_UPDTAB SPB8N500	80800001 <hex>	
		DATA_UPDTAB SPB8N500	1 <hex>	
		DATA_UPDTAB SPB8N500	1 <hex>	
		DATA_UPDTAB SPB8N500	0 <hex>	
		DATA_UPDTAB SPB8N500	0 <hex>	
		DATA_UPDTAB SPB8N500	0 <hex>	
		DATA_UPDTAB SPB8N500	0 <hex>	
		DATA_UPDTAB SPB8N500	0 <hex>	
		DATA_UPDTAB SPB8N500	E0FE6706 <hex>	
		DATA_UPDTAB SPB8N500	C0000000 <hex>	
		DATA_UPDTAB SPB8N500	0 <hex>	
		DATA_UPDTAB SPB8N500	0 <hex>	
		DATA_UPDTAB SPB8N500	1 <hex>	
		DATA_UPDTAB SPB8N500	3 <hex>	
		DATA_UPDTAB SPB8N500	6D <hex>	
		DATA_UPDTAB SPB8N500	98600000 <hex>	
		DATA_UPDTAB SPB8N500	80820001 <hex>	
		DATA_UPDTAB SPB8N500	1 <hex>	
		TC Control Flags :		
			GBM IL DSE	

		Subsch. ID : 370		
		Det. descr. : UPDATE CONTENTS OF A TABLE		

SPIRE ON, DPU_START - Switch ON the redundant SPIRE units
 File: H_COP_SPI_RSON.xls
 Author: L.Lucas-hp



Step No.	Time	Activity/Remarks	TC/TLM	Display/ Branch
	ET=+00.00.01 UT=+00.00.01	UPDATE_TABLE		
		UPDATE_TABLE	SCB02500	
		Command Parameter(s) :		
		TABLEID_UPDTAB	SPB5N500	5 <hex>
		INDEX_UPDTAB	SPB6N500	8C2 <hex>
		N_UPDTAB	SPB7N500	38 <dec>
		DATA_UPDTAB	SPB8N500	8080000F <hex>
		DATA_UPDTAB	SPB8N500	E <hex>
		DATA_UPDTAB	SPB8N500	140015 <hex>
		DATA_UPDTAB	SPB8N500	120013 <hex>
		DATA_UPDTAB	SPB8N500	100011 <hex>
		DATA_UPDTAB	SPB8N500	80009 <hex>
		DATA_UPDTAB	SPB8N500	60007 <hex>
		DATA_UPDTAB	SPB8N500	40005 <hex>
		DATA_UPDTAB	SPB8N500	20003 <hex>
		DATA_UPDTAB	SPB8N500	0 <hex>
		DATA_UPDTAB	SPB8N500	E0FE6706 <hex>
		DATA_UPDTAB	SPB8N500	C0000000 <hex>
		DATA_UPDTAB	SPB8N500	0 <hex>
		DATA_UPDTAB	SPB8N500	0 <hex>
		DATA_UPDTAB	SPB8N500	1 <hex>
		DATA_UPDTAB	SPB8N500	3 <hex>
		DATA_UPDTAB	SPB8N500	7F <hex>
		DATA_UPDTAB	SPB8N500	40070005 <hex>
		DATA_UPDTAB	SPB8N500	8080000F <hex>
		DATA_UPDTAB	SPB8N500	E <hex>
		DATA_UPDTAB	SPB8N500	140015 <hex>
		DATA_UPDTAB	SPB8N500	120013 <hex>
		DATA_UPDTAB	SPB8N500	100011 <hex>
		DATA_UPDTAB	SPB8N500	80009 <hex>
		DATA_UPDTAB	SPB8N500	60007 <hex>
		DATA_UPDTAB	SPB8N500	40005 <hex>
		DATA_UPDTAB	SPB8N500	20003 <hex>
		DATA_UPDTAB	SPB8N500	0 <hex>
		DATA_UPDTAB	SPB8N500	E0FF0000 <hex>
		DATA_UPDTAB	SPB8N500	C0000000 <hex>
		DATA_UPDTAB	SPB8N500	0 <hex>
		DATA_UPDTAB	SPB8N500	0 <hex>
		DATA_UPDTAB	SPB8N500	1 <hex>
		DATA_UPDTAB	SPB8N500	1 <hex>
		DATA_UPDTAB	SPB8N500	80 <hex>
		DATA_UPDTAB	SPB8N500	40070007 <hex>
		DATA_UPDTAB	SPB8N500	8080000F <hex>
		DATA_UPDTAB	SPB8N500	E <hex>
		TC Control Flags :		
			GBM IL DSE	

		Subsch. ID : 370		
		Det. descr. : UPDATE CONTENTS OF A TABLE		

SPIRE ON, DPU_START - Switch ON the redundant SPIRE units
 File: H_COP_SPI_RSON.xls
 Author: L.Lucas-hp



Step No.	Time	Activity/Remarks	TC/TLM	Display/ Branch
		DATA_UPDTAB SPB8N500 DATA_UPDTAB SPB8N500 TC Control Flags : GBM IL DSE ---- Subsch. ID : 370 Det. descr. : UPDATE CONTENTS OF A TABLE	40070008 <hex> 40070009 <hex>	
	ET+=00.00.01 UT+=00.00.01	UPDATE_TABLE UPDATE_TABLE Command Parameter(s) : TABLEID_UPDTAB SPB5N500 INDEX_UPDTAB SPB6N500 N_UPDTAB SPB7N500 DATA_UPDTAB SPB8N500 DATA_UPDTAB SPB8N500 TC Control Flags : GBM IL DSE ---- Subsch. ID : 370 Det. descr. : UPDATE CONTENTS OF A TABLE	SCB02500	
	ET+=00.00.01 UT+=00.00.01	UPDATE_TABLE UPDATE_TABLE Command Parameter(s) : TABLEID_UPDTAB SPB5N500 INDEX_UPDTAB SPB6N500 N_UPDTAB SPB7N500 DATA_UPDTAB SPB8N500 DATA_UPDTAB SPB8N500 TC Control Flags : GBM IL DSE ---- Subsch. ID : 370 Det. descr. : UPDATE CONTENTS OF A TABLE	SCB02500	
	ET+=00.00.01 UT+=00.00.01	UPDATE_TABLE UPDATE_TABLE Command Parameter(s) : TABLEID_UPDTAB SPB5N500 INDEX_UPDTAB SPB6N500 N_UPDTAB SPB7N500 DATA_UPDTAB SPB8N500 DATA_UPDTAB SPB8N500 TC Control Flags : GBM IL DSE ---- Subsch. ID : 370 Det. descr. : UPDATE CONTENTS OF A TABLE	SCB02500	

SPIRE ON, DPU_START - Switch ON the redundant SPIRE units
 File: H_COP_SPI_RSON.xls
 Author: L.Lucas-hp



Step No.	Time	Activity/Remarks	TC/TLM	Display/ Branch
	ET=+00.00.05 UT=+00.00.05	DEFINE_NEW_HK_REPORT DEFINE_NEW_HK_REPORT Command Parameter(s) : HKPCKTID_DEFINENEWHK SPR0N500 HKSID_DEFINENEWHK SPR1N500 HKINTERVAL_DEFINENEWHK SPR2N500 HKREPEAT_DEFINENEWHK SPR3N500 TABLEID_DEFINENEWHK SPR4N500 TC Control Flags : GBM IL DSE --- -- --- Subsch. ID : 370 Det. descr. : DEFINE NEW HOUSEKEEPING PARAMETER REPORT	SCR00500 301 <hex> 301 <hex> 3e8 <hex> 1 <hex> 1 <hex>	
	ET=+00.00.02 UT=+00.00.02	REPORT_TABLE REPORT_TABLE Command Parameter(s) : TABLEID_REPTAB SPB2N500 INDEX_REPTAB SPB3N500 COUNT_REPTAB SPB4N500 TC Control Flags : GBM IL DSE --- -- --- Subsch. ID : 370 Det. descr. : REQUEST TM PACKETS REPORTING CONTENTS OF A TABLE	SCB01500 0 <hex> 0 <hex> 0 <hex>	
	ET=+00.00.02 UT=+00.00.02	REPORT_TABLE REPORT_TABLE Command Parameter(s) : TABLEID_REPTAB SPB2N500 INDEX_REPTAB SPB3N500 COUNT_REPTAB SPB4N500 TC Control Flags : GBM IL DSE --- -- --- Subsch. ID : 370 Det. descr. : REQUEST TM PACKETS REPORTING CONTENTS OF A TABLE	SCB01500 1 <hex> 0 <hex> 0 <hex>	
	ET=+00.00.04 UT=+00.00.04	REPORT_TABLE REPORT_TABLE Command Parameter(s) : TABLEID_REPTAB SPB2N500 INDEX_REPTAB SPB3N500 COUNT_REPTAB SPB4N500 TC Control Flags : GBM IL DSE --- -- --- Subsch. ID : 370 Det. descr. : REQUEST TM PACKETS REPORTING CONTENTS OF A TABLE	SCB01500 5 <hex> 0 <hex> 0 <hex>	

SPIRE ON, DPU_START - Switch ON the redundant SPIRE units
 File: H_COP_SPI_RSON.xls
 Author: L.Lucas-hp



Step No.	Time	Activity/Remarks	TC/TLM	Display/ Branch								
	ET=+00.00.06 UT=+00.00.06	REPORT_TABLE REPORT_TABLE Command Parameter(s) : <table border="0"> <tr><td>TABLEID_REPTAB</td><td>SPB2N500</td></tr> <tr><td>INDEX_REPTAB</td><td>SPB3N500</td></tr> <tr><td>COUNT_REPTAB</td><td>SPB4N500</td></tr> </table> TC Control Flags : <table border="0"> <tr><td>GBM IL DSE</td></tr> <tr><td>--- -- ---</td></tr> </table> Subsch. ID : 370 Det. descr. : REQUEST TM PACKETS REPORTING CONTENTS OF A TABLE	TABLEID_REPTAB	SPB2N500	INDEX_REPTAB	SPB3N500	COUNT_REPTAB	SPB4N500	GBM IL DSE	--- -- ---	SCB01500 a <hex> 0 <hex> 0 <hex>	
TABLEID_REPTAB	SPB2N500											
INDEX_REPTAB	SPB3N500											
COUNT_REPTAB	SPB4N500											
GBM IL DSE												
--- -- ---												
	ET=+00.00.02 UT=+00.00.02	REPORT_TABLE REPORT_TABLE Command Parameter(s) : <table border="0"> <tr><td>TABLEID_REPTAB</td><td>SPB2N500</td></tr> <tr><td>INDEX_REPTAB</td><td>SPB3N500</td></tr> <tr><td>COUNT_REPTAB</td><td>SPB4N500</td></tr> </table> TC Control Flags : <table border="0"> <tr><td>GBM IL DSE</td></tr> <tr><td>--- -- ---</td></tr> </table> Subsch. ID : 370 Det. descr. : REQUEST TM PACKETS REPORTING CONTENTS OF A TABLE	TABLEID_REPTAB	SPB2N500	INDEX_REPTAB	SPB3N500	COUNT_REPTAB	SPB4N500	GBM IL DSE	--- -- ---	SCB01500 32 <hex> 0 <hex> 0 <hex>	
TABLEID_REPTAB	SPB2N500											
INDEX_REPTAB	SPB3N500											
COUNT_REPTAB	SPB4N500											
GBM IL DSE												
--- -- ---												
	ET=+00.00.02 UT=+00.00.02	REPORT_TABLE REPORT_TABLE Command Parameter(s) : <table border="0"> <tr><td>TABLEID_REPTAB</td><td>SPB2N500</td></tr> <tr><td>INDEX_REPTAB</td><td>SPB3N500</td></tr> <tr><td>COUNT_REPTAB</td><td>SPB4N500</td></tr> </table> TC Control Flags : <table border="0"> <tr><td>GBM IL DSE</td></tr> <tr><td>--- -- ---</td></tr> </table> Subsch. ID : 370 Det. descr. : REQUEST TM PACKETS REPORTING CONTENTS OF A TABLE	TABLEID_REPTAB	SPB2N500	INDEX_REPTAB	SPB3N500	COUNT_REPTAB	SPB4N500	GBM IL DSE	--- -- ---	SCB01500 33 <hex> 0 <hex> 0 <hex>	
TABLEID_REPTAB	SPB2N500											
INDEX_REPTAB	SPB3N500											
COUNT_REPTAB	SPB4N500											
GBM IL DSE												
--- -- ---												
	ET=+00.00.02 UT=+00.00.02	REPORT_TABLE REPORT_TABLE Command Parameter(s) : <table border="0"> <tr><td>TABLEID_REPTAB</td><td>SPB2N500</td></tr> <tr><td>INDEX_REPTAB</td><td>SPB3N500</td></tr> <tr><td>COUNT_REPTAB</td><td>SPB4N500</td></tr> </table> TC Control Flags : <table border="0"> <tr><td>GBM IL DSE</td></tr> <tr><td>--- -- ---</td></tr> </table> Subsch. ID : 370 Det. descr. : REQUEST TM PACKETS REPORTING CONTENTS OF A TABLE	TABLEID_REPTAB	SPB2N500	INDEX_REPTAB	SPB3N500	COUNT_REPTAB	SPB4N500	GBM IL DSE	--- -- ---	SCB01500 34 <hex> 0 <hex> 0 <hex>	
TABLEID_REPTAB	SPB2N500											
INDEX_REPTAB	SPB3N500											
COUNT_REPTAB	SPB4N500											
GBM IL DSE												
--- -- ---												

SPIRE ON, DPU_START - Switch ON the redundant SPIRE units
 File: H_COP_SPI_RSON.xls
 Author: L.Lucas-hp



Step No.	Time	Activity/Remarks	TC/TLM	Display/ Branch
9.2		TM checks		<input type="checkbox"/>
		Verify Telemetry is updating every second TM2N SMT1N500	Incrementing	AND=SA_7_559
		Verify Telemetry is updating every second THSK SM00T500	Incrementing	AND=SA_7_559
		Verify Telemetry MODE SM00M500	= DPU_ON	AND=SA_6_559
TC Seq. Name :HCSRSONS (Start Second Part)				
TimeTag Type: B Sub Schedule ID: <input type="checkbox"/>				
10		Start Secondary Partition of EEPROM and Update Tables		Next Step: 11
10.1		Load Operational VM, FDIR and Monitoring Tables		<input type="checkbox"/>
		Loading Operational VM, FDIR and Monitoring Tables ...		
	ET=+00.00.03 UT=+00.00.03	SET_TABLE Command Parameter(s) : TABLEID_SETTAB SPB0N500 TABLESIZE_SETTAB SPB1N500 TC Control Flags : GBM IL DSE --Y -- -- Subsch. ID : 370 Det. descr. : SET SPACE FOR A TABLE	SCB00500 46 <hex> E0 <hex>	
	ET=+00.00.01 UT=+00.00.01	UPDATE_TABLE Command Parameter(s) : TABLEID_UPDTAB SPB5N500 INDEX_UPDTAB SPB6N500 N_UPDTAB SPB7N500 DATA_UPDTAB SPB8N500 DATA_UPDTAB SPB8N500 DATA_UPDTAB SPB8N500 DATA_UPDTAB SPB8N500 DATA_UPDTAB SPB8N500 DATA_UPDTAB SPB8N500 DATA_UPDTAB SPB8N500 DATA_UPDTAB SPB8N500 DATA_UPDTAB SPB8N500	UPDATE_TABLE 46 <hex> 0 <hex> 38 <dec> 201E0000 <hex> 201F0001 <hex> 20200002 <hex> 12000016 <hex> 7D0 <hex> 12000017 <hex> 7D0 <hex> 14000017 <hex>	

SPIRE ON, DPU_START - Switch ON the redundant SPIRE units
 File: H_COP_SPI_RSON.xls
 Author: L.Lucas-hp



Step No.	Time	Activity/Remarks	TC/TLM	Display/ Branch
		DATA_UPDTAB SPB8N500	5DC <hex>	
		DATA_UPDTAB SPB8N500	20140006 <hex>	
		DATA_UPDTAB SPB8N500	14000014 <hex>	
		DATA_UPDTAB SPB8N500	7D0 <hex>	
		DATA_UPDTAB SPB8N500	14000014 <hex>	
		DATA_UPDTAB SPB8N500	7D0 <hex>	
		DATA_UPDTAB SPB8N500	32080002 <hex>	
		DATA_UPDTAB SPB8N500	30000005 <hex>	
		DATA_UPDTAB SPB8N500	14000014 <hex>	
		DATA_UPDTAB SPB8N500	7D0 <hex>	
		DATA_UPDTAB SPB8N500	14000014 <hex>	
		DATA_UPDTAB SPB8N500	7D0 <hex>	
		DATA_UPDTAB SPB8N500	35140016 <hex>	
		DATA_UPDTAB SPB8N500	30000005 <hex>	
		DATA_UPDTAB SPB8N500	12000014 <hex>	
		DATA_UPDTAB SPB8N500	7700 <hex>	
		DATA_UPDTAB SPB8N500	53010014 <hex>	
		DATA_UPDTAB SPB8N500	7F000000 <hex>	
		DATA_UPDTAB SPB8N500	20150003 <hex>	
		DATA_UPDTAB SPB8N500	16000015 <hex>	
		DATA_UPDTAB SPB8N500	2 <hex>	
		DATA_UPDTAB SPB8N500	22151506 <hex>	
		DATA_UPDTAB SPB8N500	14000015 <hex>	
		DATA_UPDTAB SPB8N500	7D0 <hex>	
		DATA_UPDTAB SPB8N500	32050002 <hex>	
		DATA_UPDTAB SPB8N500	30000005 <hex>	
		DATA_UPDTAB SPB8N500	14000015 <hex>	
		DATA_UPDTAB SPB8N500	7D0 <hex>	
		DATA_UPDTAB SPB8N500	14000015 <hex>	
		DATA_UPDTAB SPB8N500	7D0 <hex>	
		TC Control Flags :		
			GBM IL DSE	

		Subsch. ID : 370		
		Det. descr. : UPDATE CONTENTS OF A TABLE		
		UPDATE_TABLE	UPDATE_TABLE	SCB02500
	ET=+00.00.01 UT=+00.00.01	Command Parameter(s) :		
		TABLEID_UPDTAB SPB5N500	46 <hex>	
		INDEX_UPDTAB SPB6N500	26 <hex>	
		N_UPDTAB SPB7N500	38 <dec>	
		DATA_UPDTAB SPB8N500	35150016 <hex>	
		DATA_UPDTAB SPB8N500	30000005 <hex>	
		DATA_UPDTAB SPB8N500	12000015 <hex>	
		DATA_UPDTAB SPB8N500	7701 <hex>	
		DATA_UPDTAB SPB8N500	53010015 <hex>	
		DATA_UPDTAB SPB8N500	7F000000 <hex>	
		DATA_UPDTAB SPB8N500	80007D0 <hex>	
		DATA_UPDTAB SPB8N500	1000001 <hex>	

SPIRE ON, DPU_START - Switch ON the redundant SPIRE units
 File: H_COP_SPI_RSON.xls
 Author: L.Lucas-hp



Step No.	Time	Activity/Remarks	TC/TLM	Display/ Branch
		DATA_UPDTAB SPB8N500	12000003 <hex>	
		DATA_UPDTAB SPB8N500	7D0 <hex>	
		DATA_UPDTAB SPB8N500	9000003 <hex>	
		DATA_UPDTAB SPB8N500	12000000 <hex>	
		DATA_UPDTAB SPB8N500	0 <hex>	
		DATA_UPDTAB SPB8N500	12000001 <hex>	
		DATA_UPDTAB SPB8N500	43E <hex>	
		DATA_UPDTAB SPB8N500	12000002 <hex>	
		DATA_UPDTAB SPB8N500	0 <hex>	
		DATA_UPDTAB SPB8N500	60640001 <hex>	
		DATA_UPDTAB SPB8N500	12000000 <hex>	
		DATA_UPDTAB SPB8N500	0 <hex>	
		DATA_UPDTAB SPB8N500	12000001 <hex>	
		DATA_UPDTAB SPB8N500	43C <hex>	
		DATA_UPDTAB SPB8N500	20020004 <hex>	
		DATA_UPDTAB SPB8N500	60640001 <hex>	
		DATA_UPDTAB SPB8N500	12000000 <hex>	
		DATA_UPDTAB SPB8N500	0 <hex>	
		DATA_UPDTAB SPB8N500	12000001 <hex>	
		DATA_UPDTAB SPB8N500	43D <hex>	
		DATA_UPDTAB SPB8N500	20020005 <hex>	
		DATA_UPDTAB SPB8N500	60640001 <hex>	
		DATA_UPDTAB SPB8N500	32050008 <hex>	
		DATA_UPDTAB SPB8N500	12000000 <hex>	
		DATA_UPDTAB SPB8N500	0 <hex>	
		DATA_UPDTAB SPB8N500	12000001 <hex>	
		DATA_UPDTAB SPB8N500	43E <hex>	
		DATA_UPDTAB SPB8N500	12000002 <hex>	
		DATA_UPDTAB SPB8N500	1 <hex>	
		DATA_UPDTAB SPB8N500	60640001 <hex>	
		TC Control Flags :		
			GBM IL DSE	

		Subsch. ID : 370		
		Det. descr. : UPDATE CONTENTS OF A TABLE		
		UPDATE_TABLE	UPDATE_TABLE	SCB02500
	ET=+00.00.01 UT=+00.00.01	Command Parameter(s) :		
		TABLEID_UPDTAB SPB5N500	46 <hex>	
		INDEX_UPDTAB SPB6N500	4C <hex>	
		N_UPDTAB SPB7N500	38 <dec>	
		DATA_UPDTAB SPB8N500	12000000 <hex>	
		DATA_UPDTAB SPB8N500	2 <hex>	
		DATA_UPDTAB SPB8N500	12000001 <hex>	
		DATA_UPDTAB SPB8N500	82 <hex>	
		DATA_UPDTAB SPB8N500	12000002 <hex>	
		DATA_UPDTAB SPB8N500	0 <hex>	
		DATA_UPDTAB SPB8N500	60640001 <hex>	
		DATA_UPDTAB SPB8N500	12000000 <hex>	

SPIRE ON, DPU_START - Switch ON the redundant SPIRE units
 File: H_COP_SPI_RSON.xls
 Author: L.Lucas-hp



Step No.	Time	Activity/Remarks	TC/TLM	Display/ Branch
		DATA_UPDTAB SPB8N500	2 <hex>	
		DATA_UPDTAB SPB8N500	12000001 <hex>	
		DATA_UPDTAB SPB8N500	83 <hex>	
		DATA_UPDTAB SPB8N500	20020007 <hex>	
		DATA_UPDTAB SPB8N500	60640001 <hex>	
		DATA_UPDTAB SPB8N500	12000000 <hex>	
		DATA_UPDTAB SPB8N500	2 <hex>	
		DATA_UPDTAB SPB8N500	12000001 <hex>	
		DATA_UPDTAB SPB8N500	84 <hex>	
		DATA_UPDTAB SPB8N500	20020008 <hex>	
		DATA_UPDTAB SPB8N500	60640001 <hex>	
		DATA_UPDTAB SPB8N500	32080008 <hex>	
		DATA_UPDTAB SPB8N500	12000000 <hex>	
		DATA_UPDTAB SPB8N500	2 <hex>	
		DATA_UPDTAB SPB8N500	12000001 <hex>	
		DATA_UPDTAB SPB8N500	82 <hex>	
		DATA_UPDTAB SPB8N500	12000002 <hex>	
		DATA_UPDTAB SPB8N500	1 <hex>	
		DATA_UPDTAB SPB8N500	60640001 <hex>	
		DATA_UPDTAB SPB8N500	12000000 <hex>	
		DATA_UPDTAB SPB8N500	2 <hex>	
		DATA_UPDTAB SPB8N500	12000001 <hex>	
		DATA_UPDTAB SPB8N500	C8 <hex>	
		DATA_UPDTAB SPB8N500	2002001E <hex>	
		DATA_UPDTAB SPB8N500	60640001 <hex>	
		DATA_UPDTAB SPB8N500	32080002 <hex>	
		DATA_UPDTAB SPB8N500	3000000F <hex>	
		DATA_UPDTAB SPB8N500	12000000 <hex>	
		DATA_UPDTAB SPB8N500	2 <hex>	
		DATA_UPDTAB SPB8N500	12000001 <hex>	
		TC Control Flags :		
			GBM IL DSE	

		Subsch. ID : 370		
		Det. descr. : UPDATE CONTENTS OF A TABLE		
		UPDATE_TABLE	UPDATE_TABLE	SCB02500
	ET=+00.00.01 UT=+00.00.01	Command Parameter(s) :		
		TABLEID_UPDTAB SPB5N500	46 <hex>	
		INDEX_UPDTAB SPB6N500	72 <hex>	
		N_UPDTAB SPB7N500	38 <dec>	
		DATA_UPDTAB SPB8N500	82 <hex>	
		DATA_UPDTAB SPB8N500	12000002 <hex>	
		DATA_UPDTAB SPB8N500	0 <hex>	
		DATA_UPDTAB SPB8N500	60640001 <hex>	
		DATA_UPDTAB SPB8N500	12000000 <hex>	
		DATA_UPDTAB SPB8N500	2 <hex>	
		DATA_UPDTAB SPB8N500	12000001 <hex>	
		DATA_UPDTAB SPB8N500	82 <hex>	

SPIRE ON, DPU_START - Switch ON the redundant SPIRE units
 File: H_COP_SPI_RSON.xls
 Author: L.Lucas-hp



Step No.	Time	Activity/Remarks	TC/TLM	Display/ Branch
		DATA_UPDTAB SPB8N500	12000002 <hex>	
		DATA_UPDTAB SPB8N500	1 <hex>	
		DATA_UPDTAB SPB8N500	60640001 <hex>	
		DATA_UPDTAB SPB8N500	9000014 <hex>	
		DATA_UPDTAB SPB8N500	1000000 <hex>	
		DATA_UPDTAB SPB8N500	80007D0 <hex>	
		DATA_UPDTAB SPB8N500	1000001 <hex>	
		DATA_UPDTAB SPB8N500	80007D0 <hex>	
		DATA_UPDTAB SPB8N500	32050002 <hex>	
		DATA_UPDTAB SPB8N500	3000000F <hex>	
		DATA_UPDTAB SPB8N500	12000000 <hex>	
		DATA_UPDTAB SPB8N500	0 <hex>	
		DATA_UPDTAB SPB8N500	12000001 <hex>	
		DATA_UPDTAB SPB8N500	43E <hex>	
		DATA_UPDTAB SPB8N500	12000002 <hex>	
		DATA_UPDTAB SPB8N500	0 <hex>	
		DATA_UPDTAB SPB8N500	60640001 <hex>	
		DATA_UPDTAB SPB8N500	12000000 <hex>	
		DATA_UPDTAB SPB8N500	0 <hex>	
		DATA_UPDTAB SPB8N500	12000001 <hex>	
		DATA_UPDTAB SPB8N500	43E <hex>	
		DATA_UPDTAB SPB8N500	12000002 <hex>	
		DATA_UPDTAB SPB8N500	1 <hex>	
		DATA_UPDTAB SPB8N500	60640001 <hex>	
		DATA_UPDTAB SPB8N500	9000015 <hex>	
		DATA_UPDTAB SPB8N500	1000000 <hex>	
		DATA_UPDTAB SPB8N500	80007D0 <hex>	
		DATA_UPDTAB SPB8N500	1000001 <hex>	
		DATA_UPDTAB SPB8N500	80007D0 <hex>	
		DATA_UPDTAB SPB8N500	12000000 <hex>	
		TC Control Flags :		
			GBM IL DSE	

		Subsch. ID : 370		
		Det. descr. : UPDATE CONTENTS OF A TABLE		
	ET=+00.00.01 UT=+00.00.01	UPDATE_TABLE	UPDATE_TABLE	SCB02500
		Command Parameter(s) :		
		TABLEID_UPDTAB SPB5N500	46 <hex>	
		INDEX_UPDTAB SPB6N500	98 <hex>	
		N_UPDTAB SPB7N500	38 <dec>	
		DATA_UPDTAB SPB8N500	2 <hex>	
		DATA_UPDTAB SPB8N500	12000001 <hex>	
		DATA_UPDTAB SPB8N500	C8 <hex>	
		DATA_UPDTAB SPB8N500	2002001F <hex>	
		DATA_UPDTAB SPB8N500	60640001 <hex>	
		DATA_UPDTAB SPB8N500	32080002 <hex>	
		DATA_UPDTAB SPB8N500	3000000F <hex>	
		DATA_UPDTAB SPB8N500	12000000 <hex>	

SPIRE ON, DPU_START - Switch ON the redundant SPIRE units
 File: H_COP_SPI_RSON.xls
 Author: L.Lucas-hp



Step No.	Time	Activity/Remarks	TC/TLM	Display/ Branch
		DATA_UPDTAB SPB8N500	2 <hex>	
		DATA_UPDTAB SPB8N500	12000001 <hex>	
		DATA_UPDTAB SPB8N500	82 <hex>	
		DATA_UPDTAB SPB8N500	12000002 <hex>	
		DATA_UPDTAB SPB8N500	0 <hex>	
		DATA_UPDTAB SPB8N500	60640001 <hex>	
		DATA_UPDTAB SPB8N500	12000000 <hex>	
		DATA_UPDTAB SPB8N500	2 <hex>	
		DATA_UPDTAB SPB8N500	12000001 <hex>	
		DATA_UPDTAB SPB8N500	82 <hex>	
		DATA_UPDTAB SPB8N500	12000002 <hex>	
		DATA_UPDTAB SPB8N500	1 <hex>	
		DATA_UPDTAB SPB8N500	60640001 <hex>	
		DATA_UPDTAB SPB8N500	9000014 <hex>	
		DATA_UPDTAB SPB8N500	1000000 <hex>	
		DATA_UPDTAB SPB8N500	80007D0 <hex>	
		DATA_UPDTAB SPB8N500	1000001 <hex>	
		DATA_UPDTAB SPB8N500	80007D0 <hex>	
		DATA_UPDTAB SPB8N500	32050002 <hex>	
		DATA_UPDTAB SPB8N500	3000000F <hex>	
		DATA_UPDTAB SPB8N500	12000000 <hex>	
		DATA_UPDTAB SPB8N500	0 <hex>	
		DATA_UPDTAB SPB8N500	12000001 <hex>	
		DATA_UPDTAB SPB8N500	43E <hex>	
		DATA_UPDTAB SPB8N500	12000002 <hex>	
		DATA_UPDTAB SPB8N500	0 <hex>	
		DATA_UPDTAB SPB8N500	60640001 <hex>	
		DATA_UPDTAB SPB8N500	12000000 <hex>	
		DATA_UPDTAB SPB8N500	0 <hex>	
		DATA_UPDTAB SPB8N500	12000001 <hex>	
		TC Control Flags :		
			GBM IL DSE	

		Subsch. ID : 370		
		Det. descr. : UPDATE CONTENTS OF A TABLE		
		UPDATE_TABLE	UPDATE_TABLE	SCB02500
	ET=+00.00.01 UT=+00.00.01	Command Parameter(s) :		
		TABLEID_UPDTAB SPB5N500	46 <hex>	
		INDEX_UPDTAB SPB6N500	BE <hex>	
		N_UPDTAB SPB7N500	34 <dec>	
		DATA_UPDTAB SPB8N500	43E <hex>	
		DATA_UPDTAB SPB8N500	12000002 <hex>	
		DATA_UPDTAB SPB8N500	1 <hex>	
		DATA_UPDTAB SPB8N500	60640001 <hex>	
		DATA_UPDTAB SPB8N500	9000015 <hex>	
		DATA_UPDTAB SPB8N500	1000000 <hex>	
		DATA_UPDTAB SPB8N500	80007D0 <hex>	
		DATA_UPDTAB SPB8N500	1000001 <hex>	

SPIRE ON, DPU_START - Switch ON the redundant SPIRE units
 File: H_COP_SPI_RSON.xls
 Author: L.Lucas-hp



Step No.	Time	Activity/Remarks	TC/TLM	Display/ Branch
		DATA_UPDTAB SPB8N500	20200002 <hex>	
		DATA_UPDTAB SPB8N500	20210003 <hex>	
		DATA_UPDTAB SPB8N500	20220004 <hex>	
		DATA_UPDTAB SPB8N500	20230007 <hex>	
		DATA_UPDTAB SPB8N500	20240009 <hex>	
		DATA_UPDTAB SPB8N500	12000026 <hex>	
		DATA_UPDTAB SPB8N500	501 <hex>	
		DATA_UPDTAB SPB8N500	12000027 <hex>	
		DATA_UPDTAB SPB8N500	4702 <hex>	
		DATA_UPDTAB SPB8N500	53020026 <hex>	
		DATA_UPDTAB SPB8N500	2000000 <hex>	
		DATA_UPDTAB SPB8N500	20000005 <hex>	
		DATA_UPDTAB SPB8N500	20010006 <hex>	
		DATA_UPDTAB SPB8N500	20020007 <hex>	
		DATA_UPDTAB SPB8N500	20030008 <hex>	
		DATA_UPDTAB SPB8N500	20040009 <hex>	
		DATA_UPDTAB SPB8N500	60640003 <hex>	
		DATA_UPDTAB SPB8N500	32000018 <hex>	
		DATA_UPDTAB SPB8N500	12000026 <hex>	
		DATA_UPDTAB SPB8N500	501 <hex>	
		DATA_UPDTAB SPB8N500	12000027 <hex>	
		DATA_UPDTAB SPB8N500	4703 <hex>	
		DATA_UPDTAB SPB8N500	53020026 <hex>	
		DATA_UPDTAB SPB8N500	2000000 <hex>	
		DATA_UPDTAB SPB8N500	20050001 <hex>	
		DATA_UPDTAB SPB8N500	20060002 <hex>	
		DATA_UPDTAB SPB8N500	2000001E <hex>	
		DATA_UPDTAB SPB8N500	2001001F <hex>	
		DATA_UPDTAB SPB8N500	20020020 <hex>	
		DATA_UPDTAB SPB8N500	20030021 <hex>	
		TC Control Flags :		
			GBM IL DSE	

		Subsch. ID : 370		
		Det. descr. : UPDATE CONTENTS OF A TABLE		
	ET=+00.00.01 UT=+00.00.01	UPDATE_TABLE	UPDATE_TABLE	SCB02500
		Command Parameter(s) :		
		TABLEID_UPDTAB SPB5N500	47 <hex>	
		INDEX_UPDTAB SPB6N500	26 <hex>	
		N_UPDTAB SPB7N500	12 <dec>	
		DATA_UPDTAB SPB8N500	20040022 <hex>	
		DATA_UPDTAB SPB8N500	20070024 <hex>	
		DATA_UPDTAB SPB8N500	20080023 <hex>	
		DATA_UPDTAB SPB8N500	60640004 <hex>	
		DATA_UPDTAB SPB8N500	32000007 <hex>	
		DATA_UPDTAB SPB8N500	12000026 <hex>	
		DATA_UPDTAB SPB8N500	501 <hex>	
		DATA_UPDTAB SPB8N500	12000027 <hex>	

SPIRE ON, DPU_START - Switch ON the redundant SPIRE units
 File: H_COP_SPI_RSON.xls
 Author: L.Lucas-hp



Step No.	Time	Activity/Remarks	TC/TLM	Display/ Branch
		DATA_UPDTAB SPB8N500	20040008 <hex>	
		DATA_UPDTAB SPB8N500	60640003 <hex>	
		DATA_UPDTAB SPB8N500	32000050 <hex>	
		DATA_UPDTAB SPB8N500	20210001 <hex>	
		DATA_UPDTAB SPB8N500	20220002 <hex>	
		DATA_UPDTAB SPB8N500	12000026 <hex>	
		DATA_UPDTAB SPB8N500	501 <hex>	
		DATA_UPDTAB SPB8N500	12000027 <hex>	
		DATA_UPDTAB SPB8N500	4803 <hex>	
		DATA_UPDTAB SPB8N500	53020026 <hex>	
		DATA_UPDTAB SPB8N500	2000000 <hex>	
		DATA_UPDTAB SPB8N500	12000020 <hex>	
		DATA_UPDTAB SPB8N500	6B <hex>	
		DATA_UPDTAB SPB8N500	20070008 <hex>	
		DATA_UPDTAB SPB8N500	20080006 <hex>	
		TC Control Flags :		
			GBM IL DSE	

		Subsch. ID : 370		
		Det. descr. : UPDATE CONTENTS OF A TABLE		
		UPDATE_TABLE	UPDATE_TABLE	SCB02500
	ET=+00.00.01 UT=+00.00.01	Command Parameter(s) :		
		TABLEID_UPDTAB SPB5N500	48 <hex>	
		INDEX_UPDTAB SPB6N500	26 <hex>	
		N_UPDTAB SPB7N500	38 <dec>	
		DATA_UPDTAB SPB8N500	20040012 <hex>	
		DATA_UPDTAB SPB8N500	20050021 <hex>	
		DATA_UPDTAB SPB8N500	20060022 <hex>	
		DATA_UPDTAB SPB8N500	12000013 <hex>	
		DATA_UPDTAB SPB8N500	0 <hex>	
		DATA_UPDTAB SPB8N500	35130009 <hex>	
		DATA_UPDTAB SPB8N500	30000022 <hex>	
		DATA_UPDTAB SPB8N500	20FF0010 <hex>	
		DATA_UPDTAB SPB8N500	201E00FF <hex>	
		DATA_UPDTAB SPB8N500	1AFF0001 <hex>	
		DATA_UPDTAB SPB8N500	4BFF006D <hex>	
		DATA_UPDTAB SPB8N500	120000FF <hex>	
		DATA_UPDTAB SPB8N500	3 <hex>	
		DATA_UPDTAB SPB8N500	6107FC01 <hex>	
		DATA_UPDTAB SPB8N500	20FF001E <hex>	
		DATA_UPDTAB SPB8N500	650F2002 <hex>	
		DATA_UPDTAB SPB8N500	100000FF <hex>	
		DATA_UPDTAB SPB8N500	100000FF <hex>	
		DATA_UPDTAB SPB8N500	491E006B <hex>	
		DATA_UPDTAB SPB8N500	491F006C <hex>	
		DATA_UPDTAB SPB8N500	2000001E <hex>	
		DATA_UPDTAB SPB8N500	18000000 <hex>	
		DATA_UPDTAB SPB8N500	FFFF <hex>	

SPIRE ON, DPU_START - Switch ON the redundant SPIRE units
 File: H_COP_SPI_RSON.xls
 Author: L.Lucas-hp



Step No.	Time	Activity/Remarks	TC/TLM	Display/ Branch
		DATA_UPDTAB SPB8N500	2001001E <hex>	
		DATA_UPDTAB SPB8N500	1A010010 <hex>	
		DATA_UPDTAB SPB8N500	18000001 <hex>	
		DATA_UPDTAB SPB8N500	FFFF <hex>	
		DATA_UPDTAB SPB8N500	2002001F <hex>	
		DATA_UPDTAB SPB8N500	18000002 <hex>	
		DATA_UPDTAB SPB8N500	FFFF <hex>	
		DATA_UPDTAB SPB8N500	2003001F <hex>	
		DATA_UPDTAB SPB8N500	1A030010 <hex>	
		DATA_UPDTAB SPB8N500	18000003 <hex>	
		DATA_UPDTAB SPB8N500	FFFF <hex>	
		DATA_UPDTAB SPB8N500	60640004 <hex>	
		DATA_UPDTAB SPB8N500	32000020 <hex>	
		DATA_UPDTAB SPB8N500	34FF0011 <hex>	
		DATA_UPDTAB SPB8N500	30FFFFE3 <hex>	
		TC Control Flags :		
			GBM IL DSE	

		Subsch. ID : 370		
		Det. descr. : UPDATE CONTENTS OF A TABLE		
		UPDATE_TABLE	UPDATE_TABLE	SCB02500
	ET=+00.00.01 UT=+00.00.01	Command Parameter(s) :		
		TABLEID_UPDTAB SPB5N500	48 <hex>	
		INDEX_UPDTAB SPB6N500	4C <hex>	
		N_UPDTAB SPB7N500	34 <dec>	
		DATA_UPDTAB SPB8N500	10000013 <hex>	
		DATA_UPDTAB SPB8N500	30FFFFDE <hex>	
		DATA_UPDTAB SPB8N500	80007D0 <hex>	
		DATA_UPDTAB SPB8N500	1000001 <hex>	
		DATA_UPDTAB SPB8N500	80007D0 <hex>	
		DATA_UPDTAB SPB8N500	12000000 <hex>	
		DATA_UPDTAB SPB8N500	0 <hex>	
		DATA_UPDTAB SPB8N500	12000001 <hex>	
		DATA_UPDTAB SPB8N500	43E <hex>	
		DATA_UPDTAB SPB8N500	12000002 <hex>	
		DATA_UPDTAB SPB8N500	0 <hex>	
		DATA_UPDTAB SPB8N500	60640001 <hex>	
		DATA_UPDTAB SPB8N500	12000000 <hex>	
		DATA_UPDTAB SPB8N500	1 <hex>	
		DATA_UPDTAB SPB8N500	12000001 <hex>	
		DATA_UPDTAB SPB8N500	1C1 <hex>	
		DATA_UPDTAB SPB8N500	12000002 <hex>	
		DATA_UPDTAB SPB8N500	0 <hex>	
		DATA_UPDTAB SPB8N500	60640001 <hex>	
		DATA_UPDTAB SPB8N500	80007D0 <hex>	
		DATA_UPDTAB SPB8N500	1000000 <hex>	
		DATA_UPDTAB SPB8N500	80007D0 <hex>	
		DATA_UPDTAB SPB8N500	12000026 <hex>	

SPIRE ON, DPU_START - Switch ON the redundant SPIRE units
 File: H_COP_SPI_RSON.xls
 Author: L.Lucas-hp



Step No.	Time	Activity/Remarks	TC/TLM	Display/ Branch
		DATA_UPDTAB SPB8N500	4B0B016A <hex>	
		DATA_UPDTAB SPB8N500	4B0C016B <hex>	
		DATA_UPDTAB SPB8N500	4B0D016C <hex>	
		DATA_UPDTAB SPB8N500	1000000E <hex>	
		DATA_UPDTAB SPB8N500	63FD001D <hex>	
		DATA_UPDTAB SPB8N500	4B000149 <hex>	
		DATA_UPDTAB SPB8N500	49000159 <hex>	
		DATA_UPDTAB SPB8N500	63FD001D <hex>	
		DATA_UPDTAB SPB8N500	4B000159 <hex>	
		DATA_UPDTAB SPB8N500	12000001 <hex>	
		DATA_UPDTAB SPB8N500	40000000 <hex>	
		DATA_UPDTAB SPB8N500	63FD0013 <hex>	
		DATA_UPDTAB SPB8N500	4B00015A <hex>	
		DATA_UPDTAB SPB8N500	12000000 <hex>	
		DATA_UPDTAB SPB8N500	49742400 <hex>	
		TC Control Flags :		
			GBM IL DSE	

		Subsch. ID : 370		
		Det. descr. : UPDATE CONTENTS OF A TABLE		
		UPDATE_TABLE	UPDATE_TABLE	SCB02500
	ET=+00.00.01 UT=+00.00.01	Command Parameter(s) :		
		TABLEID_UPDTAB SPB5N500	50 <hex>	
		INDEX_UPDTAB SPB6N500	26 <hex>	
		N_UPDTAB SPB7N500	38 <dec>	
		DATA_UPDTAB SPB8N500	49010159 <hex>	
		DATA_UPDTAB SPB8N500	63FD0013 <hex>	
		DATA_UPDTAB SPB8N500	4B000158 <hex>	
		DATA_UPDTAB SPB8N500	120000FF <hex>	
		DATA_UPDTAB SPB8N500	2 <hex>	
		DATA_UPDTAB SPB8N500	12000014 <hex>	
		DATA_UPDTAB SPB8N500	2 <hex>	
		DATA_UPDTAB SPB8N500	4B140145 <hex>	
		DATA_UPDTAB SPB8N500	6107FC01 <hex>	
		DATA_UPDTAB SPB8N500	4900014E <hex>	
		DATA_UPDTAB SPB8N500	4B00014F <hex>	
		DATA_UPDTAB SPB8N500	4900014D <hex>	
		DATA_UPDTAB SPB8N500	4B00014E <hex>	
		DATA_UPDTAB SPB8N500	80007D0 <hex>	
		DATA_UPDTAB SPB8N500	1000001 <hex>	
		DATA_UPDTAB SPB8N500	4900014B <hex>	
		DATA_UPDTAB SPB8N500	12000001 <hex>	
		DATA_UPDTAB SPB8N500	BB8 <hex>	
		DATA_UPDTAB SPB8N500	60640000 <hex>	
		DATA_UPDTAB SPB8N500	49020148 <hex>	
		DATA_UPDTAB SPB8N500	12000003 <hex>	
		DATA_UPDTAB SPB8N500	7D0 <hex>	
		DATA_UPDTAB SPB8N500	22020203 <hex>	

SPIRE ON, DPU_START - Switch ON the redundant SPIRE units
 File: H_COP_SPI_RSON.xls
 Author: L.Lucas-hp



Step No.	Time	Activity/Remarks	TC/TLM	Display/ Branch
		DATA_UPDTAB SPB8N500	12000003 <hex>	
		DATA_UPDTAB SPB8N500	7D0 <hex>	
		DATA_UPDTAB SPB8N500	22020203 <hex>	
		DATA_UPDTAB SPB8N500	9000002 <hex>	
		DATA_UPDTAB SPB8N500	1000000 <hex>	
		DATA_UPDTAB SPB8N500	3200FFF1 <hex>	
		DATA_UPDTAB SPB8N500	20000001 <hex>	
		DATA_UPDTAB SPB8N500	63FD001D <hex>	
		DATA_UPDTAB SPB8N500	4B00014D <hex>	
		DATA_UPDTAB SPB8N500	49000151 <hex>	
		DATA_UPDTAB SPB8N500	4B000152 <hex>	
		DATA_UPDTAB SPB8N500	49000150 <hex>	
		DATA_UPDTAB SPB8N500	4B000151 <hex>	
		DATA_UPDTAB SPB8N500	12000000 <hex>	
		DATA_UPDTAB SPB8N500	40000000 <hex>	
		TC Control Flags :		
			GBM IL DSE	

		Subsch. ID : 370		
		Det. descr. : UPDATE CONTENTS OF A TABLE		
		UPDATE_TABLE	UPDATE_TABLE	SCB02500
	ET=+00.00.01 UT=+00.00.01	Command Parameter(s) :		
		TABLEID_UPDTAB SPB5N500	50 <hex>	
		INDEX_UPDTAB SPB6N500	4C <hex>	
		N_UPDTAB SPB7N500	38 <dec>	
		DATA_UPDTAB SPB8N500	4901014E <hex>	
		DATA_UPDTAB SPB8N500	63FD0012 <hex>	
		DATA_UPDTAB SPB8N500	4901014D <hex>	
		DATA_UPDTAB SPB8N500	63FD0010 <hex>	
		DATA_UPDTAB SPB8N500	4901014F <hex>	
		DATA_UPDTAB SPB8N500	63FD0010 <hex>	
		DATA_UPDTAB SPB8N500	4B000150 <hex>	
		DATA_UPDTAB SPB8N500	49000151 <hex>	
		DATA_UPDTAB SPB8N500	4901015C <hex>	
		DATA_UPDTAB SPB8N500	63FD0012 <hex>	
		DATA_UPDTAB SPB8N500	49010150 <hex>	
		DATA_UPDTAB SPB8N500	63FD0010 <hex>	
		DATA_UPDTAB SPB8N500	4B000150 <hex>	
		DATA_UPDTAB SPB8N500	49000152 <hex>	
		DATA_UPDTAB SPB8N500	4901015D <hex>	
		DATA_UPDTAB SPB8N500	63FD0012 <hex>	
		DATA_UPDTAB SPB8N500	49010150 <hex>	
		DATA_UPDTAB SPB8N500	63FD0010 <hex>	
		DATA_UPDTAB SPB8N500	4B000150 <hex>	
		DATA_UPDTAB SPB8N500	1100000E <hex>	
		DATA_UPDTAB SPB8N500	320EFFCF <hex>	
		DATA_UPDTAB SPB8N500	1200000E <hex>	
		DATA_UPDTAB SPB8N500	1 <hex>	

SPIRE ON, DPU_START - Switch ON the redundant SPIRE units
 File: H_COP_SPI_RSON.xls
 Author: L.Lucas-hp



Step No.	Time	Activity/Remarks	TC/TLM	Display/ Branch
		DATA_UPDTAB SPB8N500	120000FF <hex>	
		DATA_UPDTAB SPB8N500	2 <hex>	
		DATA_UPDTAB SPB8N500	12000014 <hex>	
		DATA_UPDTAB SPB8N500	3 <hex>	
		DATA_UPDTAB SPB8N500	4B140145 <hex>	
		DATA_UPDTAB SPB8N500	6107FC01 <hex>	
		DATA_UPDTAB SPB8N500	49000164 <hex>	
		DATA_UPDTAB SPB8N500	12000001 <hex>	
		DATA_UPDTAB SPB8N500	BF800000 <hex>	
		DATA_UPDTAB SPB8N500	63FD0012 <hex>	
		DATA_UPDTAB SPB8N500	4B000165 <hex>	
		DATA_UPDTAB SPB8N500	49000150 <hex>	
		DATA_UPDTAB SPB8N500	4901015B <hex>	
		DATA_UPDTAB SPB8N500	63FD0013 <hex>	
		DATA_UPDTAB SPB8N500	20010000 <hex>	
		TC Control Flags :		
			GBM IL DSE	

		Subsch. ID : 370		
		Det. descr. : UPDATE CONTENTS OF A TABLE		
		UPDATE_TABLE	UPDATE_TABLE	SCB02500
	ET=+00.00.01 UT=+00.00.01	Command Parameter(s) :		
		TABLEID_UPDTAB SPB5N500	50 <hex>	
		INDEX_UPDTAB SPB6N500	72 <hex>	
		N_UPDTAB SPB7N500	38 <dec>	
		DATA_UPDTAB SPB8N500	49000149 <hex>	
		DATA_UPDTAB SPB8N500	63FD0011 <hex>	
		DATA_UPDTAB SPB8N500	4B000164 <hex>	
		DATA_UPDTAB SPB8N500	49010153 <hex>	
		DATA_UPDTAB SPB8N500	63FD0012 <hex>	
		DATA_UPDTAB SPB8N500	4B000167 <hex>	
		DATA_UPDTAB SPB8N500	49000164 <hex>	
		DATA_UPDTAB SPB8N500	49010158 <hex>	
		DATA_UPDTAB SPB8N500	63FD0013 <hex>	
		DATA_UPDTAB SPB8N500	49010166 <hex>	
		DATA_UPDTAB SPB8N500	63FD0010 <hex>	
		DATA_UPDTAB SPB8N500	4B000166 <hex>	
		DATA_UPDTAB SPB8N500	49010156 <hex>	
		DATA_UPDTAB SPB8N500	63FD0011 <hex>	
		DATA_UPDTAB SPB8N500	18000000 <hex>	
		DATA_UPDTAB SPB8N500	80000000 <hex>	
		DATA_UPDTAB SPB8N500	32000003 <hex>	
		DATA_UPDTAB SPB8N500	49000156 <hex>	
		DATA_UPDTAB SPB8N500	4B000166 <hex>	
		DATA_UPDTAB SPB8N500	49010166 <hex>	
		DATA_UPDTAB SPB8N500	49000157 <hex>	
		DATA_UPDTAB SPB8N500	63FD0011 <hex>	
		DATA_UPDTAB SPB8N500	18000000 <hex>	

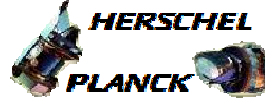
SPIRE ON, DPU_START - Switch ON the redundant SPIRE units
 File: H_COP_SPI_RSON.xls
 Author: L.Lucas-hp



Step No.	Time	Activity/Remarks	TC/TLM	Display/ Branch
		DATA_UPDTAB SPB8N500	80000000 <hex>	
		DATA_UPDTAB SPB8N500	32000003 <hex>	
		DATA_UPDTAB SPB8N500	49000157 <hex>	
		DATA_UPDTAB SPB8N500	4B000166 <hex>	
		DATA_UPDTAB SPB8N500	49000166 <hex>	
		DATA_UPDTAB SPB8N500	49010154 <hex>	
		DATA_UPDTAB SPB8N500	63FD0012 <hex>	
		DATA_UPDTAB SPB8N500	4B000168 <hex>	
		DATA_UPDTAB SPB8N500	49000164 <hex>	
		DATA_UPDTAB SPB8N500	49010165 <hex>	
		DATA_UPDTAB SPB8N500	63FD0010 <hex>	
		DATA_UPDTAB SPB8N500	49010158 <hex>	
		DATA_UPDTAB SPB8N500	63FD0012 <hex>	
		DATA_UPDTAB SPB8N500	49010155 <hex>	
		DATA_UPDTAB SPB8N500	63FD0012 <hex>	
		TC Control Flags :		
			GBM IL DSE	

		Subsch. ID : 370		
		Det. descr. : UPDATE CONTENTS OF A TABLE		
		UPDATE_TABLE	UPDATE_TABLE	SCB02500
	ET=+00.00.01 UT=+00.00.01	Command Parameter(s) :		
		TABLEID_UPDTAB SPB5N500	50 <hex>	
		INDEX_UPDTAB SPB6N500	98 <hex>	
		N_UPDTAB SPB7N500	38 <dec>	
		DATA_UPDTAB SPB8N500	4B000169 <hex>	
		DATA_UPDTAB SPB8N500	49000167 <hex>	
		DATA_UPDTAB SPB8N500	49010168 <hex>	
		DATA_UPDTAB SPB8N500	63FD0010 <hex>	
		DATA_UPDTAB SPB8N500	49010169 <hex>	
		DATA_UPDTAB SPB8N500	63FD0010 <hex>	
		DATA_UPDTAB SPB8N500	4B00015E <hex>	
		DATA_UPDTAB SPB8N500	63FD001C <hex>	
		DATA_UPDTAB SPB8N500	4B000161 <hex>	
		DATA_UPDTAB SPB8N500	63FD001D <hex>	
		DATA_UPDTAB SPB8N500	20010000 <hex>	
		DATA_UPDTAB SPB8N500	4900015E <hex>	
		DATA_UPDTAB SPB8N500	63FD0011 <hex>	
		DATA_UPDTAB SPB8N500	4B00015F <hex>	
		DATA_UPDTAB SPB8N500	4900016B <hex>	
		DATA_UPDTAB SPB8N500	32000010 <hex>	
		DATA_UPDTAB SPB8N500	4900015F <hex>	
		DATA_UPDTAB SPB8N500	12000001 <hex>	
		DATA_UPDTAB SPB8N500	3F000000 <hex>	
		DATA_UPDTAB SPB8N500	63FD0011 <hex>	
		DATA_UPDTAB SPB8N500	18000000 <hex>	
		DATA_UPDTAB SPB8N500	80000000 <hex>	
		DATA_UPDTAB SPB8N500	49010161 <hex>	

SPIRE ON, DPU_START - Switch ON the redundant SPIRE units
 File: H_COP_SPI_RSON.xls
 Author: L.Lucas-hp



Step No.	Time	Activity/Remarks	TC/TLM	Display/ Branch
		DATA_UPDTAB SPB8N500	32000002 <hex>	
		DATA_UPDTAB SPB8N500	10000001 <hex>	
		DATA_UPDTAB SPB8N500	4B010161 <hex>	
		DATA_UPDTAB SPB8N500	4B010160 <hex>	
		DATA_UPDTAB SPB8N500	4900015A <hex>	
		DATA_UPDTAB SPB8N500	4B000163 <hex>	
		DATA_UPDTAB SPB8N500	4B000162 <hex>	
		DATA_UPDTAB SPB8N500	3000003A <hex>	
		DATA_UPDTAB SPB8N500	4900015F <hex>	
		DATA_UPDTAB SPB8N500	12000001 <hex>	
		DATA_UPDTAB SPB8N500	0 <hex>	
		DATA_UPDTAB SPB8N500	63FD0011 <hex>	
		DATA_UPDTAB SPB8N500	18000000 <hex>	
		DATA_UPDTAB SPB8N500	80000000 <hex>	
		DATA_UPDTAB SPB8N500	32000014 <hex>	
		TC Control Flags :		
			GBM IL DSE	

		Subsch. ID : 370		
		Det. descr. : UPDATE CONTENTS OF A TABLE		
		UPDATE_TABLE	UPDATE_TABLE	SCB02500
	ET=+00.00.01 UT=+00.00.01	Command Parameter(s) :		
		TABLEID_UPDTAB SPB5N500	50 <hex>	
		INDEX_UPDTAB SPB6N500	BE <hex>	
		N_UPDTAB SPB7N500	38 <dec>	
		DATA_UPDTAB SPB8N500	4901015F <hex>	
		DATA_UPDTAB SPB8N500	12000000 <hex>	
		DATA_UPDTAB SPB8N500	3F400000 <hex>	
		DATA_UPDTAB SPB8N500	63FD0011 <hex>	
		DATA_UPDTAB SPB8N500	18000000 <hex>	
		DATA_UPDTAB SPB8N500	80000000 <hex>	
		DATA_UPDTAB SPB8N500	32000020 <hex>	
		DATA_UPDTAB SPB8N500	49000161 <hex>	
		DATA_UPDTAB SPB8N500	10000000 <hex>	
		DATA_UPDTAB SPB8N500	4B000160 <hex>	
		DATA_UPDTAB SPB8N500	4900015F <hex>	
		DATA_UPDTAB SPB8N500	49010159 <hex>	
		DATA_UPDTAB SPB8N500	63FD0012 <hex>	
		DATA_UPDTAB SPB8N500	4B000162 <hex>	
		DATA_UPDTAB SPB8N500	20010000 <hex>	
		DATA_UPDTAB SPB8N500	49000159 <hex>	
		DATA_UPDTAB SPB8N500	63FD0011 <hex>	
		DATA_UPDTAB SPB8N500	4B000163 <hex>	
		DATA_UPDTAB SPB8N500	30000020 <hex>	
		DATA_UPDTAB SPB8N500	49000161 <hex>	
		DATA_UPDTAB SPB8N500	10000000 <hex>	
		DATA_UPDTAB SPB8N500	4B000160 <hex>	
		DATA_UPDTAB SPB8N500	11000000 <hex>	

SPIRE ON, DPU_START - Switch ON the redundant SPIRE units
 File: H_COP_SPI_RSON.xls
 Author: L.Lucas-hp



Step No.	Time	Activity/Remarks	TC/TLM	Display/ Branch
		DATA_UPDTAB SPB8N500	11000000 <hex>	
		DATA_UPDTAB SPB8N500	4B000161 <hex>	
		DATA_UPDTAB SPB8N500	4900015F <hex>	
		DATA_UPDTAB SPB8N500	12000001 <hex>	
		DATA_UPDTAB SPB8N500	3F800000 <hex>	
		DATA_UPDTAB SPB8N500	63FD0010 <hex>	
		DATA_UPDTAB SPB8N500	4B00015F <hex>	
		DATA_UPDTAB SPB8N500	4901015A <hex>	
		DATA_UPDTAB SPB8N500	63FD0012 <hex>	
		DATA_UPDTAB SPB8N500	4B000162 <hex>	
		DATA_UPDTAB SPB8N500	20010000 <hex>	
		DATA_UPDTAB SPB8N500	49000159 <hex>	
		DATA_UPDTAB SPB8N500	63FD0011 <hex>	
		DATA_UPDTAB SPB8N500	4B000163 <hex>	
		DATA_UPDTAB SPB8N500	3000000D <hex>	
		TC Control Flags :		
			GBM IL DSE	

		Subsch. ID : 370		
		Det. descr. : UPDATE CONTENTS OF A TABLE		
		UPDATE_TABLE	UPDATE_TABLE	SCB02500
	ET=+00.00.01 UT=+00.00.01	Command Parameter(s) :		
		TABLEID_UPDTAB SPB5N500	50 <hex>	
		INDEX_UPDTAB SPB6N500	E4 <hex>	
		N_UPDTAB SPB7N500	38 <dec>	
		DATA_UPDTAB SPB8N500	49000161 <hex>	
		DATA_UPDTAB SPB8N500	10000000 <hex>	
		DATA_UPDTAB SPB8N500	10000000 <hex>	
		DATA_UPDTAB SPB8N500	4B000160 <hex>	
		DATA_UPDTAB SPB8N500	4900015F <hex>	
		DATA_UPDTAB SPB8N500	4901015A <hex>	
		DATA_UPDTAB SPB8N500	63FD0012 <hex>	
		DATA_UPDTAB SPB8N500	4B000162 <hex>	
		DATA_UPDTAB SPB8N500	20010000 <hex>	
		DATA_UPDTAB SPB8N500	49000159 <hex>	
		DATA_UPDTAB SPB8N500	63FD0011 <hex>	
		DATA_UPDTAB SPB8N500	4B000163 <hex>	
		DATA_UPDTAB SPB8N500	49000161 <hex>	
		DATA_UPDTAB SPB8N500	12000001 <hex>	
		DATA_UPDTAB SPB8N500	0 <hex>	
		DATA_UPDTAB SPB8N500	35000001 <hex>	
		DATA_UPDTAB SPB8N500	30000007 <hex>	
		DATA_UPDTAB SPB8N500	4B010161 <hex>	
		DATA_UPDTAB SPB8N500	4B010160 <hex>	
		DATA_UPDTAB SPB8N500	4901015A <hex>	
		DATA_UPDTAB SPB8N500	4B010163 <hex>	
		DATA_UPDTAB SPB8N500	4B010162 <hex>	
		DATA_UPDTAB SPB8N500	3000000A <hex>	

SPIRE ON, DPU_START - Switch ON the redundant SPIRE units
 File: H_COP_SPI_RSON.xls
 Author: L.Lucas-hp



Step No.	Time	Activity/Remarks	TC/TLM	Display/ Branch
		DATA_UPDTAB SPB8N500	49000160 <hex>	
		DATA_UPDTAB SPB8N500	4901016A <hex>	
		DATA_UPDTAB SPB8N500	34000001 <hex>	
		DATA_UPDTAB SPB8N500	30000006 <hex>	
		DATA_UPDTAB SPB8N500	4B010161 <hex>	
		DATA_UPDTAB SPB8N500	4B010160 <hex>	
		DATA_UPDTAB SPB8N500	4901015A <hex>	
		DATA_UPDTAB SPB8N500	4B010163 <hex>	
		DATA_UPDTAB SPB8N500	4B010162 <hex>	
		DATA_UPDTAB SPB8N500	80007D0 <hex>	
		DATA_UPDTAB SPB8N500	1000001 <hex>	
		DATA_UPDTAB SPB8N500	12000000 <hex>	
		DATA_UPDTAB SPB8N500	2 <hex>	
		DATA_UPDTAB SPB8N500	4901014C <hex>	
		DATA_UPDTAB SPB8N500	49020161 <hex>	
		TC Control Flags :		
			GBM IL DSE	

		Subsch. ID : 370		
		Det. descr. : UPDATE CONTENTS OF A TABLE		
		UPDATE_TABLE	UPDATE_TABLE	SCB02500
	ET=+00.00.01 UT=+00.00.01	Command Parameter(s) :		
		TABLEID_UPDTAB SPB5N500	50 <hex>	
		INDEX_UPDTAB SPB6N500	10A <hex>	
		N_UPDTAB SPB7N500	38 <dec>	
		DATA_UPDTAB SPB8N500	12000003 <hex>	
		DATA_UPDTAB SPB8N500	BB8 <hex>	
		DATA_UPDTAB SPB8N500	60640001 <hex>	
		DATA_UPDTAB SPB8N500	49000163 <hex>	
		DATA_UPDTAB SPB8N500	63FD001C <hex>	
		DATA_UPDTAB SPB8N500	12000002 <hex>	
		DATA_UPDTAB SPB8N500	7D0 <hex>	
		DATA_UPDTAB SPB8N500	22000002 <hex>	
		DATA_UPDTAB SPB8N500	12000002 <hex>	
		DATA_UPDTAB SPB8N500	7D0 <hex>	
		DATA_UPDTAB SPB8N500	22000002 <hex>	
		DATA_UPDTAB SPB8N500	9000000 <hex>	
		DATA_UPDTAB SPB8N500	1000000 <hex>	
		DATA_UPDTAB SPB8N500	80007D0 <hex>	
		DATA_UPDTAB SPB8N500	1000001 <hex>	
		DATA_UPDTAB SPB8N500	12000000 <hex>	
		DATA_UPDTAB SPB8N500	2 <hex>	
		DATA_UPDTAB SPB8N500	4901014C <hex>	
		DATA_UPDTAB SPB8N500	49020160 <hex>	
		DATA_UPDTAB SPB8N500	12000003 <hex>	
		DATA_UPDTAB SPB8N500	BB8 <hex>	
		DATA_UPDTAB SPB8N500	60640001 <hex>	
		DATA_UPDTAB SPB8N500	49000162 <hex>	

SPIRE ON, DPU_START - Switch ON the redundant SPIRE units
 File: H_COP_SPI_RSON.xls
 Author: L.Lucas-hp



Step No.	Time	Activity/Remarks	TC/TLM	Display/ Branch
		DATA_UPDTAB SPB8N500	63FD001C <hex>	
		DATA_UPDTAB SPB8N500	49010148 <hex>	
		DATA_UPDTAB SPB8N500	22000001 <hex>	
		DATA_UPDTAB SPB8N500	12000001 <hex>	
		DATA_UPDTAB SPB8N500	7D0 <hex>	
		DATA_UPDTAB SPB8N500	22000001 <hex>	
		DATA_UPDTAB SPB8N500	12000001 <hex>	
		DATA_UPDTAB SPB8N500	7D0 <hex>	
		DATA_UPDTAB SPB8N500	22000001 <hex>	
		DATA_UPDTAB SPB8N500	9000000 <hex>	
		DATA_UPDTAB SPB8N500	1000000 <hex>	
		DATA_UPDTAB SPB8N500	4900016C <hex>	
		DATA_UPDTAB SPB8N500	32000002 <hex>	
		DATA_UPDTAB SPB8N500	30000015 <hex>	
		DATA_UPDTAB SPB8N500	49FF0146 <hex>	
		TC Control Flags :		
			GBM IL DSE	

		Subsch. ID : 370		
		Det. descr. : UPDATE CONTENTS OF A TABLE		
		UPDATE_TABLE	UPDATE_TABLE	SCB02500
	ET=+00.00.01 UT=+00.00.01	Command Parameter(s) :		
		TABLEID_UPDTAB SPB5N500	50 <hex>	
		INDEX_UPDTAB SPB6N500	130 <hex>	
		N_UPDTAB SPB7N500	38 <dec>	
		DATA_UPDTAB SPB8N500	12000000 <hex>	
		DATA_UPDTAB SPB8N500	146 <hex>	
		DATA_UPDTAB SPB8N500	61520028 <hex>	
		DATA_UPDTAB SPB8N500	49000146 <hex>	
		DATA_UPDTAB SPB8N500	13000000 <hex>	
		DATA_UPDTAB SPB8N500	28 <hex>	
		DATA_UPDTAB SPB8N500	4B000146 <hex>	
		DATA_UPDTAB SPB8N500	1100000D <hex>	
		DATA_UPDTAB SPB8N500	320D000B <hex>	
		DATA_UPDTAB SPB8N500	120000FF <hex>	
		DATA_UPDTAB SPB8N500	0 <hex>	
		DATA_UPDTAB SPB8N500	12000000 <hex>	
		DATA_UPDTAB SPB8N500	146 <hex>	
		DATA_UPDTAB SPB8N500	61520001 <hex>	
		DATA_UPDTAB SPB8N500	54000052 <hex>	
		DATA_UPDTAB SPB8N500	490D016C <hex>	
		DATA_UPDTAB SPB8N500	12000000 <hex>	
		DATA_UPDTAB SPB8N500	0 <hex>	
		DATA_UPDTAB SPB8N500	4B000146 <hex>	
		DATA_UPDTAB SPB8N500	30FFFECC <hex>	
		DATA_UPDTAB SPB8N500	7F000000 <hex>	
		DATA_UPDTAB SPB8N500	0 <hex>	
		DATA_UPDTAB SPB8N500	0 <hex>	

SPIRE ON, DPU_START - Switch ON the redundant SPIRE units
 File: H_COP_SPI_RSON.xls
 Author: L.Lucas-hp



Step No.	Time	Activity/Remarks	TC/TLM	Display/ Branch
	ET=+00.00.02 UT=+00.00.02	SET_TABLE SET_TABLE Command Parameter(s) : TABLEID_SETTAB SPB0N500 TABLESIZE_SETTAB SPB1N500 TC Control Flags : GBM IL DSE --- -- --- Subsch. ID : 370 Det. descr. : SET SPACE FOR A TABLE	SCB00500 51 <hex> 1c0 <hex>	
	ET=+00.00.01 UT=+00.00.01	UPDATE_TABLE UPDATE_TABLE Command Parameter(s) : TABLEID_UPDTAB SPB5N500 51 <hex> INDEX_UPDTAB SPB6N500 0 <hex> N_UPDTAB SPB7N500 38 <dec> DATA_UPDTAB SPB8N500 120000FC <hex> DATA_UPDTAB SPB8N500 196 <hex> DATA_UPDTAB SPB8N500 120000FD <hex> DATA_UPDTAB SPB8N500 100 <hex> DATA_UPDTAB SPB8N500 120000FF <hex> DATA_UPDTAB SPB8N500 1 <hex> DATA_UPDTAB SPB8N500 12000014 <hex> DATA_UPDTAB SPB8N500 1 <hex> DATA_UPDTAB SPB8N500 4B140196 <hex> DATA_UPDTAB SPB8N500 6107FC01 <hex> DATA_UPDTAB SPB8N500 4B01019C <hex> DATA_UPDTAB SPB8N500 4B0201A9 <hex> DATA_UPDTAB SPB8N500 4B0301A3 <hex> DATA_UPDTAB SPB8N500 4B0401A4 <hex> DATA_UPDTAB SPB8N500 4B0501A5 <hex> DATA_UPDTAB SPB8N500 4B0601A6 <hex> DATA_UPDTAB SPB8N500 19000006 <hex> DATA_UPDTAB SPB8N500 80000000 <hex> DATA_UPDTAB SPB8N500 4B0601A7 <hex> DATA_UPDTAB SPB8N500 4B0701AB <hex> DATA_UPDTAB SPB8N500 4B0801AC <hex> DATA_UPDTAB SPB8N500 4B0901AD <hex> DATA_UPDTAB SPB8N500 4B0A01BB <hex> DATA_UPDTAB SPB8N500 4B0B01BA <hex> DATA_UPDTAB SPB8N500 4B0C01BC <hex> DATA_UPDTAB SPB8N500 4B0D01BD <hex> DATA_UPDTAB SPB8N500 1000000E <hex> DATA_UPDTAB SPB8N500 4B0F01BE <hex> DATA_UPDTAB SPB8N500 20140000 <hex> DATA_UPDTAB SPB8N500 4900019C <hex> DATA_UPDTAB SPB8N500 12000001 <hex> DATA_UPDTAB SPB8N500 BB8 <hex> DATA_UPDTAB SPB8N500 13000001 <hex> DATA_UPDTAB SPB8N500 7D0 <hex> DATA_UPDTAB SPB8N500 13000001 <hex> DATA_UPDTAB SPB8N500 7D0 <hex> DATA_UPDTAB SPB8N500 49020199 <hex> DATA_UPDTAB SPB8N500 22020201 <hex>	SCB02500 51 <hex> 0 <hex> 38 <dec> 120000FC <hex> 196 <hex> 120000FD <hex> 100 <hex> 120000FF <hex> 1 <hex> 12000014 <hex> 1 <hex> 4B140196 <hex> 6107FC01 <hex> 4B01019C <hex> 4B0201A9 <hex> 4B0301A3 <hex> 4B0401A4 <hex> 4B0501A5 <hex> 4B0601A6 <hex> 19000006 <hex> 80000000 <hex> 4B0601A7 <hex> 4B0701AB <hex> 4B0801AC <hex> 4B0901AD <hex> 4B0A01BB <hex> 4B0B01BA <hex> 4B0C01BC <hex> 4B0D01BD <hex> 1000000E <hex> 4B0F01BE <hex> 20140000 <hex> 4900019C <hex> 12000001 <hex> BB8 <hex> 13000001 <hex> 7D0 <hex> 13000001 <hex> 7D0 <hex> 49020199 <hex> 22020201 <hex>	

SPIRE ON, DPU_START - Switch ON the redundant SPIRE units
 File: H_COP_SPI_RSON.xls
 Author: L.Lucas-hp



Step No.	Time	Activity/Remarks	TC/TLM	Display/ Branch																																																																																																																																	
		TC Control Flags : <p style="text-align: right;">GBM IL DSE -----</p> Subsch. ID : 370 Det. descr. : UPDATE CONTENTS OF A TABLE																																																																																																																																			
	ET=+00.00.01 UT=+00.00.01	UPDATE_TABLE <p style="text-align: right;">UPDATE_TABLE</p> Command Parameter(s) : <table style="width: 100%; border-collapse: collapse;"> <tr><td style="text-align: right;">TABLEID_UPDTAB</td><td style="text-align: right;">SPB5N500</td><td style="text-align: left;">51 <hex></td></tr> <tr><td style="text-align: right;">INDEX_UPDTAB</td><td style="text-align: right;">SPB6N500</td><td style="text-align: left;">26 <hex></td></tr> <tr><td style="text-align: right;">N_UPDTAB</td><td style="text-align: right;">SPB7N500</td><td style="text-align: left;">38 <dec></td></tr> <tr><td style="text-align: right;">DATA_UPDTAB</td><td style="text-align: right;">SPB8N500</td><td style="text-align: left;">4000016E <hex></td></tr> <tr><td style="text-align: right;">DATA_UPDTAB</td><td style="text-align: right;">SPB8N500</td><td style="text-align: left;">9000002 <hex></td></tr> <tr><td style="text-align: right;">DATA_UPDTAB</td><td style="text-align: right;">SPB8N500</td><td style="text-align: left;">2000000 <hex></td></tr> <tr><td style="text-align: right;">DATA_UPDTAB</td><td style="text-align: right;">SPB8N500</td><td style="text-align: left;">32000140 <hex></td></tr> <tr><td style="text-align: right;">DATA_UPDTAB</td><td style="text-align: right;">SPB8N500</td><td style="text-align: left;">22000114 <hex></td></tr> <tr><td style="text-align: right;">DATA_UPDTAB</td><td style="text-align: right;">SPB8N500</td><td style="text-align: left;">63FD001D <hex></td></tr> <tr><td style="text-align: right;">DATA_UPDTAB</td><td style="text-align: right;">SPB8N500</td><td style="text-align: left;">4B00019A <hex></td></tr> <tr><td style="text-align: right;">DATA_UPDTAB</td><td style="text-align: right;">SPB8N500</td><td style="text-align: left;">490001A9 <hex></td></tr> <tr><td colspan="3"> </td></tr> <tr><td style="text-align: right;">DATA_UPDTAB</td><td style="text-align: right;">SPB8N500</td><td style="text-align: left;">63FD001D <hex></td></tr> <tr><td style="text-align: right;">DATA_UPDTAB</td><td style="text-align: right;">SPB8N500</td><td style="text-align: left;">4B0001A9 <hex></td></tr> <tr><td style="text-align: right;">DATA_UPDTAB</td><td style="text-align: right;">SPB8N500</td><td style="text-align: left;">12000001 <hex></td></tr> <tr><td style="text-align: right;">DATA_UPDTAB</td><td style="text-align: right;">SPB8N500</td><td style="text-align: left;">40000000 <hex></td></tr> <tr><td style="text-align: right;">DATA_UPDTAB</td><td style="text-align: right;">SPB8N500</td><td style="text-align: left;">63FD0013 <hex></td></tr> <tr><td style="text-align: right;">DATA_UPDTAB</td><td style="text-align: right;">SPB8N500</td><td style="text-align: left;">4B0001AA <hex></td></tr> <tr><td style="text-align: right;">DATA_UPDTAB</td><td style="text-align: right;">SPB8N500</td><td style="text-align: left;">12000000 <hex></td></tr> <tr><td style="text-align: right;">DATA_UPDTAB</td><td style="text-align: right;">SPB8N500</td><td style="text-align: left;">49742400 <hex></td></tr> <tr><td style="text-align: right;">DATA_UPDTAB</td><td style="text-align: right;">SPB8N500</td><td style="text-align: left;">490101A9 <hex></td></tr> <tr><td style="text-align: right;">DATA_UPDTAB</td><td style="text-align: right;">SPB8N500</td><td style="text-align: left;">63FD0013 <hex></td></tr> <tr><td style="text-align: right;">DATA_UPDTAB</td><td style="text-align: right;">SPB8N500</td><td style="text-align: left;">4B0001A8 <hex></td></tr> <tr><td style="text-align: right;">DATA_UPDTAB</td><td style="text-align: right;">SPB8N500</td><td style="text-align: left;">12000000 <hex></td></tr> <tr><td style="text-align: right;">DATA_UPDTAB</td><td style="text-align: right;">SPB8N500</td><td style="text-align: left;">0 <hex></td></tr> <tr><td style="text-align: right;">DATA_UPDTAB</td><td style="text-align: right;">SPB8N500</td><td style="text-align: left;">4B00019D <hex></td></tr> <tr><td style="text-align: right;">DATA_UPDTAB</td><td style="text-align: right;">SPB8N500</td><td style="text-align: left;">4B00019E <hex></td></tr> <tr><td colspan="3"> </td></tr> <tr><td style="text-align: right;">DATA_UPDTAB</td><td style="text-align: right;">SPB8N500</td><td style="text-align: left;">4B00019F <hex></td></tr> <tr><td style="text-align: right;">DATA_UPDTAB</td><td style="text-align: right;">SPB8N500</td><td style="text-align: left;">4B0001A0 <hex></td></tr> <tr><td style="text-align: right;">DATA_UPDTAB</td><td style="text-align: right;">SPB8N500</td><td style="text-align: left;">4B0001A1 <hex></td></tr> <tr><td style="text-align: right;">DATA_UPDTAB</td><td style="text-align: right;">SPB8N500</td><td style="text-align: left;">4B0001A2 <hex></td></tr> <tr><td style="text-align: right;">DATA_UPDTAB</td><td style="text-align: right;">SPB8N500</td><td style="text-align: left;">120000FF <hex></td></tr> <tr><td style="text-align: right;">DATA_UPDTAB</td><td style="text-align: right;">SPB8N500</td><td style="text-align: left;">1 <hex></td></tr> <tr><td style="text-align: right;">DATA_UPDTAB</td><td style="text-align: right;">SPB8N500</td><td style="text-align: left;">12000014 <hex></td></tr> <tr><td style="text-align: right;">DATA_UPDTAB</td><td style="text-align: right;">SPB8N500</td><td style="text-align: left;">2 <hex></td></tr> <tr><td style="text-align: right;">DATA_UPDTAB</td><td style="text-align: right;">SPB8N500</td><td style="text-align: left;">4B140196 <hex></td></tr> <tr><td style="text-align: right;">DATA_UPDTAB</td><td style="text-align: right;">SPB8N500</td><td style="text-align: left;">6107FC01 <hex></td></tr> <tr><td style="text-align: right;">DATA_UPDTAB</td><td style="text-align: right;">SPB8N500</td><td style="text-align: left;">4900019E <hex></td></tr> <tr><td style="text-align: right;">DATA_UPDTAB</td><td style="text-align: right;">SPB8N500</td><td style="text-align: left;">4B00019F <hex></td></tr> <tr><td style="text-align: right;">DATA_UPDTAB</td><td style="text-align: right;">SPB8N500</td><td style="text-align: left;">4900019D <hex></td></tr> <tr><td style="text-align: right;">DATA_UPDTAB</td><td style="text-align: right;">SPB8N500</td><td style="text-align: left;">4B00019E <hex></td></tr> <tr><td style="text-align: right;">DATA_UPDTAB</td><td style="text-align: right;">SPB8N500</td><td style="text-align: left;">4900019C <hex></td></tr> </table> <p style="text-align: right;">GBM IL DSE -----</p> Subsch. ID : 370 Det. descr. : UPDATE CONTENTS OF A TABLE	TABLEID_UPDTAB	SPB5N500	51 <hex>	INDEX_UPDTAB	SPB6N500	26 <hex>	N_UPDTAB	SPB7N500	38 <dec>	DATA_UPDTAB	SPB8N500	4000016E <hex>	DATA_UPDTAB	SPB8N500	9000002 <hex>	DATA_UPDTAB	SPB8N500	2000000 <hex>	DATA_UPDTAB	SPB8N500	32000140 <hex>	DATA_UPDTAB	SPB8N500	22000114 <hex>	DATA_UPDTAB	SPB8N500	63FD001D <hex>	DATA_UPDTAB	SPB8N500	4B00019A <hex>	DATA_UPDTAB	SPB8N500	490001A9 <hex>				DATA_UPDTAB	SPB8N500	63FD001D <hex>	DATA_UPDTAB	SPB8N500	4B0001A9 <hex>	DATA_UPDTAB	SPB8N500	12000001 <hex>	DATA_UPDTAB	SPB8N500	40000000 <hex>	DATA_UPDTAB	SPB8N500	63FD0013 <hex>	DATA_UPDTAB	SPB8N500	4B0001AA <hex>	DATA_UPDTAB	SPB8N500	12000000 <hex>	DATA_UPDTAB	SPB8N500	49742400 <hex>	DATA_UPDTAB	SPB8N500	490101A9 <hex>	DATA_UPDTAB	SPB8N500	63FD0013 <hex>	DATA_UPDTAB	SPB8N500	4B0001A8 <hex>	DATA_UPDTAB	SPB8N500	12000000 <hex>	DATA_UPDTAB	SPB8N500	0 <hex>	DATA_UPDTAB	SPB8N500	4B00019D <hex>	DATA_UPDTAB	SPB8N500	4B00019E <hex>				DATA_UPDTAB	SPB8N500	4B00019F <hex>	DATA_UPDTAB	SPB8N500	4B0001A0 <hex>	DATA_UPDTAB	SPB8N500	4B0001A1 <hex>	DATA_UPDTAB	SPB8N500	4B0001A2 <hex>	DATA_UPDTAB	SPB8N500	120000FF <hex>	DATA_UPDTAB	SPB8N500	1 <hex>	DATA_UPDTAB	SPB8N500	12000014 <hex>	DATA_UPDTAB	SPB8N500	2 <hex>	DATA_UPDTAB	SPB8N500	4B140196 <hex>	DATA_UPDTAB	SPB8N500	6107FC01 <hex>	DATA_UPDTAB	SPB8N500	4900019E <hex>	DATA_UPDTAB	SPB8N500	4B00019F <hex>	DATA_UPDTAB	SPB8N500	4900019D <hex>	DATA_UPDTAB	SPB8N500	4B00019E <hex>	DATA_UPDTAB	SPB8N500	4900019C <hex>	SCB02500	
TABLEID_UPDTAB	SPB5N500	51 <hex>																																																																																																																																			
INDEX_UPDTAB	SPB6N500	26 <hex>																																																																																																																																			
N_UPDTAB	SPB7N500	38 <dec>																																																																																																																																			
DATA_UPDTAB	SPB8N500	4000016E <hex>																																																																																																																																			
DATA_UPDTAB	SPB8N500	9000002 <hex>																																																																																																																																			
DATA_UPDTAB	SPB8N500	2000000 <hex>																																																																																																																																			
DATA_UPDTAB	SPB8N500	32000140 <hex>																																																																																																																																			
DATA_UPDTAB	SPB8N500	22000114 <hex>																																																																																																																																			
DATA_UPDTAB	SPB8N500	63FD001D <hex>																																																																																																																																			
DATA_UPDTAB	SPB8N500	4B00019A <hex>																																																																																																																																			
DATA_UPDTAB	SPB8N500	490001A9 <hex>																																																																																																																																			
DATA_UPDTAB	SPB8N500	63FD001D <hex>																																																																																																																																			
DATA_UPDTAB	SPB8N500	4B0001A9 <hex>																																																																																																																																			
DATA_UPDTAB	SPB8N500	12000001 <hex>																																																																																																																																			
DATA_UPDTAB	SPB8N500	40000000 <hex>																																																																																																																																			
DATA_UPDTAB	SPB8N500	63FD0013 <hex>																																																																																																																																			
DATA_UPDTAB	SPB8N500	4B0001AA <hex>																																																																																																																																			
DATA_UPDTAB	SPB8N500	12000000 <hex>																																																																																																																																			
DATA_UPDTAB	SPB8N500	49742400 <hex>																																																																																																																																			
DATA_UPDTAB	SPB8N500	490101A9 <hex>																																																																																																																																			
DATA_UPDTAB	SPB8N500	63FD0013 <hex>																																																																																																																																			
DATA_UPDTAB	SPB8N500	4B0001A8 <hex>																																																																																																																																			
DATA_UPDTAB	SPB8N500	12000000 <hex>																																																																																																																																			
DATA_UPDTAB	SPB8N500	0 <hex>																																																																																																																																			
DATA_UPDTAB	SPB8N500	4B00019D <hex>																																																																																																																																			
DATA_UPDTAB	SPB8N500	4B00019E <hex>																																																																																																																																			
DATA_UPDTAB	SPB8N500	4B00019F <hex>																																																																																																																																			
DATA_UPDTAB	SPB8N500	4B0001A0 <hex>																																																																																																																																			
DATA_UPDTAB	SPB8N500	4B0001A1 <hex>																																																																																																																																			
DATA_UPDTAB	SPB8N500	4B0001A2 <hex>																																																																																																																																			
DATA_UPDTAB	SPB8N500	120000FF <hex>																																																																																																																																			
DATA_UPDTAB	SPB8N500	1 <hex>																																																																																																																																			
DATA_UPDTAB	SPB8N500	12000014 <hex>																																																																																																																																			
DATA_UPDTAB	SPB8N500	2 <hex>																																																																																																																																			
DATA_UPDTAB	SPB8N500	4B140196 <hex>																																																																																																																																			
DATA_UPDTAB	SPB8N500	6107FC01 <hex>																																																																																																																																			
DATA_UPDTAB	SPB8N500	4900019E <hex>																																																																																																																																			
DATA_UPDTAB	SPB8N500	4B00019F <hex>																																																																																																																																			
DATA_UPDTAB	SPB8N500	4900019D <hex>																																																																																																																																			
DATA_UPDTAB	SPB8N500	4B00019E <hex>																																																																																																																																			
DATA_UPDTAB	SPB8N500	4900019C <hex>																																																																																																																																			
		TC Control Flags : <p style="text-align: right;">GBM IL DSE -----</p> Subsch. ID : 370 Det. descr. : UPDATE CONTENTS OF A TABLE																																																																																																																																			

SPIRE ON, DPU_START - Switch ON the redundant SPIRE units
 File: H_COP_SPI_RSON.xls
 Author: L.Lucas-hp



Step No.	Time	Activity/Remarks	TC/TLM	Display/ Branch
	ET=+00.00.01 UT=+00.00.01	UPDATE_TABLE		
		UPDATE_TABLE	SCB02500	
		Command Parameter(s) :		
		TABLEID_UPDTAB SPB8N500	51 <hex>	
		INDEX_UPDTAB SPB6N500	4C <hex>	
		N_UPDTAB SPB7N500	38 <dec>	
		DATA_UPDTAB SPB8N500	12000001 <hex>	
		DATA_UPDTAB SPB8N500	BB8 <hex>	
		DATA_UPDTAB SPB8N500	13000001 <hex>	
		DATA_UPDTAB SPB8N500	7D0 <hex>	
		DATA_UPDTAB SPB8N500	13000001 <hex>	
		DATA_UPDTAB SPB8N500	7D0 <hex>	
		DATA_UPDTAB SPB8N500	49020199 <hex>	
		DATA_UPDTAB SPB8N500	22020201 <hex>	
		DATA_UPDTAB SPB8N500	4000016E <hex>	
		DATA_UPDTAB SPB8N500	9000002 <hex>	
		DATA_UPDTAB SPB8N500	2000000 <hex>	
		DATA_UPDTAB SPB8N500	3200FFF4 <hex>	
		DATA_UPDTAB SPB8N500	20000001 <hex>	
		DATA_UPDTAB SPB8N500	63FD001D <hex>	
		DATA_UPDTAB SPB8N500	20140000 <hex>	
		DATA_UPDTAB SPB8N500	490001AE <hex>	
		DATA_UPDTAB SPB8N500	490101AE <hex>	
		DATA_UPDTAB SPB8N500	63FD0012 <hex>	
		DATA_UPDTAB SPB8N500	490101BE <hex>	
		DATA_UPDTAB SPB8N500	63FD0012 <hex>	
		DATA_UPDTAB SPB8N500	20010014 <hex>	
		DATA_UPDTAB SPB8N500	63FD0010 <hex>	
		DATA_UPDTAB SPB8N500	4B00019D <hex>	
		DATA_UPDTAB SPB8N500	490001A1 <hex>	
		DATA_UPDTAB SPB8N500	4B0001A2 <hex>	
		DATA_UPDTAB SPB8N500	490001A0 <hex>	
		DATA_UPDTAB SPB8N500	4B0001A1 <hex>	
		DATA_UPDTAB SPB8N500	12000000 <hex>	
		DATA_UPDTAB SPB8N500	40000000 <hex>	
		DATA_UPDTAB SPB8N500	4901019E <hex>	
		DATA_UPDTAB SPB8N500	63FD0012 <hex>	
		DATA_UPDTAB SPB8N500	4901019D <hex>	
		DATA_UPDTAB SPB8N500	63FD0010 <hex>	
		DATA_UPDTAB SPB8N500	4901019F <hex>	
		DATA_UPDTAB SPB8N500	63FD0010 <hex>	
		DATA_UPDTAB SPB8N500	4B0001A0 <hex>	
		DATA_UPDTAB SPB8N500	490001A1 <hex>	
		DATA_UPDTAB SPB8N500	490101AC <hex>	
		TC Control Flags :		
			GBM IL DSE	

		Subsch. ID : 370		
		Det. descr. : UPDATE CONTENTS OF A TABLE		

SPIRE ON, DPU_START - Switch ON the redundant SPIRE units
 File: H_COP_SPI_RSON.xls
 Author: L.Lucas-hp



Step No.	Time	Activity/Remarks	TC/TLM	Display/ Branch
	ET=+00.00.01 UT=+00.00.01	UPDATE_TABLE		
		UPDATE_TABLE	SCB02500	
		Command Parameter(s) :		
		TABLEID_UPDTAB SPB5N500	51 <hex>	
		INDEX_UPDTAB SPB6N500	72 <hex>	
		N_UPDTAB SPB7N500	38 <dec>	
		DATA_UPDTAB SPB8N500	63FD0012 <hex>	
		DATA_UPDTAB SPB8N500	490101A0 <hex>	
		DATA_UPDTAB SPB8N500	63FD0010 <hex>	
		DATA_UPDTAB SPB8N500	4B0001A0 <hex>	
		DATA_UPDTAB SPB8N500	490001A2 <hex>	
		DATA_UPDTAB SPB8N500	490101AD <hex>	
		DATA_UPDTAB SPB8N500	63FD0012 <hex>	
		DATA_UPDTAB SPB8N500	490101A0 <hex>	
		DATA_UPDTAB SPB8N500	63FD0010 <hex>	
		DATA_UPDTAB SPB8N500	4B0001A0 <hex>	
		DATA_UPDTAB SPB8N500	1100000E <hex>	
		DATA_UPDTAB SPB8N500	320EFFCA <hex>	
		DATA_UPDTAB SPB8N500	1200000E <hex>	
		DATA_UPDTAB SPB8N500	1 <hex>	
		DATA_UPDTAB SPB8N500	120000FF <hex>	
		DATA_UPDTAB SPB8N500	1 <hex>	
		DATA_UPDTAB SPB8N500	12000014 <hex>	
		DATA_UPDTAB SPB8N500	3 <hex>	
		DATA_UPDTAB SPB8N500	4B140196 <hex>	
		DATA_UPDTAB SPB8N500	6107FC01 <hex>	
		DATA_UPDTAB SPB8N500	490001B4 <hex>	
		DATA_UPDTAB SPB8N500	12000001 <hex>	
		DATA_UPDTAB SPB8N500	BF800000 <hex>	
		DATA_UPDTAB SPB8N500	63FD0012 <hex>	
		DATA_UPDTAB SPB8N500	4B0001B5 <hex>	
		DATA_UPDTAB SPB8N500	490001A0 <hex>	
		DATA_UPDTAB SPB8N500	490101AB <hex>	
		DATA_UPDTAB SPB8N500	63FD0013 <hex>	
		DATA_UPDTAB SPB8N500	20010000 <hex>	
		DATA_UPDTAB SPB8N500	4900019A <hex>	
		DATA_UPDTAB SPB8N500	63FD0011 <hex>	
		DATA_UPDTAB SPB8N500	4B0001B4 <hex>	
		DATA_UPDTAB SPB8N500	490101A3 <hex>	
		DATA_UPDTAB SPB8N500	63FD0012 <hex>	
		DATA_UPDTAB SPB8N500	4B0001B7 <hex>	
		DATA_UPDTAB SPB8N500	490001B4 <hex>	
		DATA_UPDTAB SPB8N500	490101A8 <hex>	
		DATA_UPDTAB SPB8N500	63FD0013 <hex>	
		TC Control Flags :		
			GBM IL DSE	

		Subsch. ID : 370		
		Det. descr. : UPDATE CONTENTS OF A TABLE		

SPIRE ON, DPU_START - Switch ON the redundant SPIRE units
 File: H_COP_SPI_RSON.xls
 Author: L.Lucas-hp



Step No.	Time	Activity/Remarks	TC/TLM	Display/ Branch
	ET=+00.00.01 UT=+00.00.01	UPDATE_TABLE		
		UPDATE_TABLE	SCB02500	
		Command Parameter(s) :		
		TABLEID_UPDTAB	SPB5N500	51 <hex>
		INDEX_UPDTAB	SPB6N500	98 <hex>
		N_UPDTAB	SPB7N500	38 <dec>
		DATA_UPDTAB	SPB8N500	490101B6 <hex>
		DATA_UPDTAB	SPB8N500	63FD0010 <hex>
		DATA_UPDTAB	SPB8N500	4B0001B6 <hex>
		DATA_UPDTAB	SPB8N500	490101A6 <hex>
		DATA_UPDTAB	SPB8N500	63FD0011 <hex>
		DATA_UPDTAB	SPB8N500	18000000 <hex>
		DATA_UPDTAB	SPB8N500	80000000 <hex>
		DATA_UPDTAB	SPB8N500	32000003 <hex>
		DATA_UPDTAB	SPB8N500	490001A6 <hex>
		DATA_UPDTAB	SPB8N500	4B0001B6 <hex>
		DATA_UPDTAB	SPB8N500	490101B6 <hex>
		DATA_UPDTAB	SPB8N500	490001A7 <hex>
		DATA_UPDTAB	SPB8N500	63FD0011 <hex>
		DATA_UPDTAB	SPB8N500	18000000 <hex>
		DATA_UPDTAB	SPB8N500	80000000 <hex>
		DATA_UPDTAB	SPB8N500	32000003 <hex>
		DATA_UPDTAB	SPB8N500	490001A7 <hex>
		DATA_UPDTAB	SPB8N500	4B0001B6 <hex>
		DATA_UPDTAB	SPB8N500	490001B6 <hex>
		DATA_UPDTAB	SPB8N500	490101A4 <hex>
		DATA_UPDTAB	SPB8N500	63FD0012 <hex>
		DATA_UPDTAB	SPB8N500	4B0001B8 <hex>
		DATA_UPDTAB	SPB8N500	490001B4 <hex>
		DATA_UPDTAB	SPB8N500	490101B5 <hex>
		DATA_UPDTAB	SPB8N500	63FD0010 <hex>
		DATA_UPDTAB	SPB8N500	490101A8 <hex>
		DATA_UPDTAB	SPB8N500	63FD0012 <hex>
		DATA_UPDTAB	SPB8N500	490101A5 <hex>
		DATA_UPDTAB	SPB8N500	63FD0012 <hex>
		DATA_UPDTAB	SPB8N500	4B0001B9 <hex>
		DATA_UPDTAB	SPB8N500	490001B7 <hex>
		DATA_UPDTAB	SPB8N500	490101B8 <hex>
		DATA_UPDTAB	SPB8N500	63FD0010 <hex>
		DATA_UPDTAB	SPB8N500	490101B9 <hex>
		DATA_UPDTAB	SPB8N500	63FD0010 <hex>
		DATA_UPDTAB	SPB8N500	490101BB <hex>
		DATA_UPDTAB	SPB8N500	63FD0010 <hex>
		DATA_UPDTAB	SPB8N500	4B0001AE <hex>
		TC Control Flags :		
			GBM IL DSE	

		Subsch. ID : 370		
		Det. descr. : UPDATE CONTENTS OF A TABLE		

SPIRE ON, DPU_START - Switch ON the redundant SPIRE units
 File: H_COP_SPI_RSON.xls
 Author: L.Lucas-hp



Step No.	Time	Activity/Remarks	TC/TLM	Display/ Branch
	ET=+00.00.01 UT=+00.00.01	UPDATE_TABLE		
		UPDATE_TABLE	SCB02500	
		Command Parameter(s) :		
		TABLEID_UPDTAB SPB5N500	51 <hex>	
		INDEX_UPDTAB SPB6N500	BE <hex>	
		N_UPDTAB SPB7N500	38 <dec>	
		DATA_UPDTAB SPB8N500	63FD001C <hex>	
		DATA_UPDTAB SPB8N500	4B0001B1 <hex>	
		DATA_UPDTAB SPB8N500	63FD001D <hex>	
		DATA_UPDTAB SPB8N500	20010000 <hex>	
		DATA_UPDTAB SPB8N500	490001AE <hex>	
		DATA_UPDTAB SPB8N500	63FD0011 <hex>	
		DATA_UPDTAB SPB8N500	4B0001AF <hex>	
		DATA_UPDTAB SPB8N500	490001BC <hex>	
		DATA_UPDTAB SPB8N500	32000010 <hex>	
		DATA_UPDTAB SPB8N500	490001AF <hex>	
		DATA_UPDTAB SPB8N500	12000001 <hex>	
		DATA_UPDTAB SPB8N500	3F000000 <hex>	
		DATA_UPDTAB SPB8N500	63FD0011 <hex>	
		DATA_UPDTAB SPB8N500	18000000 <hex>	
		DATA_UPDTAB SPB8N500	80000000 <hex>	
		DATA_UPDTAB SPB8N500	490101B1 <hex>	
		DATA_UPDTAB SPB8N500	32000002 <hex>	
		DATA_UPDTAB SPB8N500	10000001 <hex>	
		DATA_UPDTAB SPB8N500	4B0101B1 <hex>	
		DATA_UPDTAB SPB8N500	4B0101B0 <hex>	
		DATA_UPDTAB SPB8N500	490001AA <hex>	
		DATA_UPDTAB SPB8N500	4B0001B3 <hex>	
		DATA_UPDTAB SPB8N500	4B0001B2 <hex>	
		DATA_UPDTAB SPB8N500	3000003A <hex>	
		DATA_UPDTAB SPB8N500	490001AF <hex>	
		DATA_UPDTAB SPB8N500	12000001 <hex>	
		DATA_UPDTAB SPB8N500	3E800000 <hex>	
		DATA_UPDTAB SPB8N500	63FD0011 <hex>	
		DATA_UPDTAB SPB8N500	18000000 <hex>	
		DATA_UPDTAB SPB8N500	80000000 <hex>	
		DATA_UPDTAB SPB8N500	32000014 <hex>	
		DATA_UPDTAB SPB8N500	490101AF <hex>	
		DATA_UPDTAB SPB8N500	12000000 <hex>	
		DATA_UPDTAB SPB8N500	3F400000 <hex>	
		DATA_UPDTAB SPB8N500	63FD0011 <hex>	
		DATA_UPDTAB SPB8N500	18000000 <hex>	
		DATA_UPDTAB SPB8N500	80000000 <hex>	
		DATA_UPDTAB SPB8N500	32000020 <hex>	
		TC Control Flags :		
			GBM IL DSE	

		Subsch. ID : 370		
		Det. descr. : UPDATE CONTENTS OF A TABLE		

SPIRE ON, DPU_START - Switch ON the redundant SPIRE units
 File: H_COP_SPI_RSON.xls
 Author: L.Lucas-hp



Step No.	Time	Activity/Remarks	TC/TLM	Display/ Branch
	ET=+00.00.01 UT=+00.00.01	UPDATE_TABLE		
		UPDATE_TABLE	SCB02500	
		Command Parameter(s) :		
		TABLEID_UPDTAB SPB8N500	51 <hex>	
		INDEX_UPDTAB SPB8N500	E4 <hex>	
		N_UPDTAB SPB8N500	38 <dec>	
		DATA_UPDTAB SPB8N500	490001B1 <hex>	
		DATA_UPDTAB SPB8N500	10000000 <hex>	
		DATA_UPDTAB SPB8N500	4B0001B0 <hex>	
		DATA_UPDTAB SPB8N500	490001AF <hex>	
		DATA_UPDTAB SPB8N500	490101A9 <hex>	
		DATA_UPDTAB SPB8N500	63FD0012 <hex>	
		DATA_UPDTAB SPB8N500	4B0001B2 <hex>	
		DATA_UPDTAB SPB8N500	20010000 <hex>	
		DATA_UPDTAB SPB8N500	490001A9 <hex>	
		DATA_UPDTAB SPB8N500	63FD0011 <hex>	
		DATA_UPDTAB SPB8N500	4B0001B3 <hex>	
		DATA_UPDTAB SPB8N500	30000020 <hex>	
		DATA_UPDTAB SPB8N500	490001B1 <hex>	
		DATA_UPDTAB SPB8N500	10000000 <hex>	
		DATA_UPDTAB SPB8N500	4B0001B0 <hex>	
		DATA_UPDTAB SPB8N500	11000000 <hex>	
		DATA_UPDTAB SPB8N500	11000000 <hex>	
		DATA_UPDTAB SPB8N500	4B0001B1 <hex>	
		DATA_UPDTAB SPB8N500	490001AF <hex>	
		DATA_UPDTAB SPB8N500	12000001 <hex>	
		DATA_UPDTAB SPB8N500	3F800000 <hex>	
		DATA_UPDTAB SPB8N500	63FD0010 <hex>	
		DATA_UPDTAB SPB8N500	4B0001AF <hex>	
		DATA_UPDTAB SPB8N500	490101AA <hex>	
		DATA_UPDTAB SPB8N500	63FD0012 <hex>	
		DATA_UPDTAB SPB8N500	4B0001B2 <hex>	
		DATA_UPDTAB SPB8N500	20010000 <hex>	
		DATA_UPDTAB SPB8N500	490001A9 <hex>	
		DATA_UPDTAB SPB8N500	63FD0011 <hex>	
		DATA_UPDTAB SPB8N500	4B0001B3 <hex>	
		DATA_UPDTAB SPB8N500	3000000D <hex>	
		DATA_UPDTAB SPB8N500	490001B1 <hex>	
		DATA_UPDTAB SPB8N500	10000000 <hex>	
		DATA_UPDTAB SPB8N500	10000000 <hex>	
		DATA_UPDTAB SPB8N500	4B0001B0 <hex>	
		DATA_UPDTAB SPB8N500	490001AF <hex>	
		DATA_UPDTAB SPB8N500	490101AA <hex>	
		DATA_UPDTAB SPB8N500	63FD0012 <hex>	
		TC Control Flags :		
			GBM IL DSE	

		Subsch. ID : 370		
		Det. descr. : UPDATE CONTENTS OF A TABLE		

SPIRE ON, DPU_START - Switch ON the redundant SPIRE units
 File: H_COP_SPI_RSON.xls
 Author: L.Lucas-hp



Step No.	Time	Activity/Remarks	TC/TLM	Display/ Branch
	ET=+00.00.01 UT=+00.00.01	UPDATE_TABLE		
		UPDATE_TABLE	SCB02500	
		Command Parameter(s) :		
		TABLEID_UPDTAB SPB5N500	51 <hex>	
		INDEX_UPDTAB SPB6N500	10A <hex>	
		N_UPDTAB SPB7N500	38 <dec>	
		DATA_UPDTAB SPB8N500	4B0001B2 <hex>	
		DATA_UPDTAB SPB8N500	20010000 <hex>	
		DATA_UPDTAB SPB8N500	490001A9 <hex>	
		DATA_UPDTAB SPB8N500	63FD0011 <hex>	
		DATA_UPDTAB SPB8N500	4B0001B3 <hex>	
		DATA_UPDTAB SPB8N500	490001B1 <hex>	
		DATA_UPDTAB SPB8N500	12000001 <hex>	
		DATA_UPDTAB SPB8N500	0 <hex>	
		DATA_UPDTAB SPB8N500	35000001 <hex>	
		DATA_UPDTAB SPB8N500	30000008 <hex>	
		DATA_UPDTAB SPB8N500	4B0101B1 <hex>	
		DATA_UPDTAB SPB8N500	4B0101B0 <hex>	
		DATA_UPDTAB SPB8N500	490101AA <hex>	
		DATA_UPDTAB SPB8N500	4B0101B3 <hex>	
		DATA_UPDTAB SPB8N500	4B0101B2 <hex>	
		DATA_UPDTAB SPB8N500	4B0101AE <hex>	
		DATA_UPDTAB SPB8N500	3000000D <hex>	
		DATA_UPDTAB SPB8N500	490001B0 <hex>	
		DATA_UPDTAB SPB8N500	490101BA <hex>	
		DATA_UPDTAB SPB8N500	34000001 <hex>	
		DATA_UPDTAB SPB8N500	30000009 <hex>	
		DATA_UPDTAB SPB8N500	4B0101B1 <hex>	
		DATA_UPDTAB SPB8N500	4B0101B0 <hex>	
		DATA_UPDTAB SPB8N500	490101AA <hex>	
		DATA_UPDTAB SPB8N500	4B0101B3 <hex>	
		DATA_UPDTAB SPB8N500	4B0101B2 <hex>	
		DATA_UPDTAB SPB8N500	490001BA <hex>	
		DATA_UPDTAB SPB8N500	63FD001D <hex>	
		DATA_UPDTAB SPB8N500	4B0001AE <hex>	
		DATA_UPDTAB SPB8N500	80007D0 <hex>	
		DATA_UPDTAB SPB8N500	1000001 <hex>	
		DATA_UPDTAB SPB8N500	12000000 <hex>	
		DATA_UPDTAB SPB8N500	2 <hex>	
		DATA_UPDTAB SPB8N500	12000001 <hex>	
		DATA_UPDTAB SPB8N500	C6 <hex>	
		DATA_UPDTAB SPB8N500	490201B1 <hex>	
		DATA_UPDTAB SPB8N500	12000003 <hex>	
		DATA_UPDTAB SPB8N500	BB8 <hex>	
		TC Control Flags :		
			GBM IL DSE	

		Subsch. ID : 370		
		Det. descr. : UPDATE CONTENTS OF A TABLE		

SPIRE ON, DPU_START - Switch ON the redundant SPIRE units
 File: H_COP_SPI_RSON.xls
 Author: L.Lucas-hp



Step No.	Time	Activity/Remarks	TC/TLM	Display/ Branch
	ET=+00.00.01 UT=+00.00.01	UPDATE_TABLE		
		UPDATE_TABLE	SCB02500	
		Command Parameter(s) :		
		TABLEID_UPDTAB	SPB5N500	51 <hex>
		INDEX_UPDTAB	SPB6N500	130 <hex>
		N_UPDTAB	SPB7N500	38 <dec>
		DATA_UPDTAB	SPB8N500	60640001 <hex>
		DATA_UPDTAB	SPB8N500	490001B3 <hex>
		DATA_UPDTAB	SPB8N500	63FD001C <hex>
		DATA_UPDTAB	SPB8N500	12000002 <hex>
		DATA_UPDTAB	SPB8N500	7D0 <hex>
		DATA_UPDTAB	SPB8N500	22000002 <hex>
		DATA_UPDTAB	SPB8N500	12000002 <hex>
		DATA_UPDTAB	SPB8N500	7D0 <hex>
		DATA_UPDTAB	SPB8N500	22000002 <hex>
		DATA_UPDTAB	SPB8N500	9000000 <hex>
		DATA_UPDTAB	SPB8N500	1000000 <hex>
		DATA_UPDTAB	SPB8N500	80007D0 <hex>
		DATA_UPDTAB	SPB8N500	1000001 <hex>
		DATA_UPDTAB	SPB8N500	12000000 <hex>
		DATA_UPDTAB	SPB8N500	2 <hex>
		DATA_UPDTAB	SPB8N500	12000001 <hex>
		DATA_UPDTAB	SPB8N500	C6 <hex>
		DATA_UPDTAB	SPB8N500	490201B0 <hex>
		DATA_UPDTAB	SPB8N500	12000003 <hex>
		DATA_UPDTAB	SPB8N500	BB8 <hex>
		DATA_UPDTAB	SPB8N500	60640001 <hex>
		DATA_UPDTAB	SPB8N500	490001B2 <hex>
		DATA_UPDTAB	SPB8N500	63FD001C <hex>
		DATA_UPDTAB	SPB8N500	49010199 <hex>
		DATA_UPDTAB	SPB8N500	22000001 <hex>
		DATA_UPDTAB	SPB8N500	12000001 <hex>
		DATA_UPDTAB	SPB8N500	7D0 <hex>
		DATA_UPDTAB	SPB8N500	22000001 <hex>
		DATA_UPDTAB	SPB8N500	12000001 <hex>
		DATA_UPDTAB	SPB8N500	7D0 <hex>
		DATA_UPDTAB	SPB8N500	22000001 <hex>
		DATA_UPDTAB	SPB8N500	9000000 <hex>
		DATA_UPDTAB	SPB8N500	1000000 <hex>
		DATA_UPDTAB	SPB8N500	490001BD <hex>
		DATA_UPDTAB	SPB8N500	32000002 <hex>
		DATA_UPDTAB	SPB8N500	30000015 <hex>
		DATA_UPDTAB	SPB8N500	49FF0197 <hex>
		DATA_UPDTAB	SPB8N500	12000000 <hex>
		TC Control Flags :		
			GBM IL DSE	

		Subsch. ID : 370		
		Det. descr. : UPDATE CONTENTS OF A TABLE		

SPIRE ON, DPU_START - Switch ON the redundant SPIRE units
 File: H_COP_SPI_RSON.xls
 Author: L.Lucas-hp



Step No.	Time	Activity/Remarks	TC/TLM	Display/ Branch
	ET=+00.00.01 UT=+00.00.01	UPDATE_TABLE		
		UPDATE_TABLE	SCB02500	
		Command Parameter(s) :		
		TABLEID_UPDTAB SPB8N500	51 <hex>	
		INDEX_UPDTAB SPB8N500	156 <hex>	
		N_UPDTAB SPB8N500	38 <dec>	
		DATA_UPDTAB SPB8N500	197 <hex>	
		DATA_UPDTAB SPB8N500	61520029 <hex>	
		DATA_UPDTAB SPB8N500	49000197 <hex>	
		DATA_UPDTAB SPB8N500	13000000 <hex>	
		DATA_UPDTAB SPB8N500	29 <hex>	
		DATA_UPDTAB SPB8N500	4B000197 <hex>	
		DATA_UPDTAB SPB8N500	1100000D <hex>	
		DATA_UPDTAB SPB8N500	320D000B <hex>	
		DATA_UPDTAB SPB8N500	120000FF <hex>	
		DATA_UPDTAB SPB8N500	0 <hex>	
		DATA_UPDTAB SPB8N500	12000000 <hex>	
		DATA_UPDTAB SPB8N500	197 <hex>	
		DATA_UPDTAB SPB8N500	61520001 <hex>	
		DATA_UPDTAB SPB8N500	54000052 <hex>	
		DATA_UPDTAB SPB8N500	490D01BD <hex>	
		DATA_UPDTAB SPB8N500	12000000 <hex>	
		DATA_UPDTAB SPB8N500	0 <hex>	
		DATA_UPDTAB SPB8N500	4B000197 <hex>	
		DATA_UPDTAB SPB8N500	30FFFEDF <hex>	
		DATA_UPDTAB SPB8N500	12000000 <hex>	
		DATA_UPDTAB SPB8N500	7100 <hex>	
		DATA_UPDTAB SPB8N500	53010000 <hex>	
		DATA_UPDTAB SPB8N500	2000000 <hex>	
		DATA_UPDTAB SPB8N500	7F000000 <hex>	
		DATA_UPDTAB SPB8N500	1200005A <hex>	
		DATA_UPDTAB SPB8N500	7D0 <hex>	
		DATA_UPDTAB SPB8N500	2201015A <hex>	
		DATA_UPDTAB SPB8N500	1200005A <hex>	
		DATA_UPDTAB SPB8N500	7D0 <hex>	
		DATA_UPDTAB SPB8N500	2201015A <hex>	
		DATA_UPDTAB SPB8N500	80007D0 <hex>	
		DATA_UPDTAB SPB8N500	1000001 <hex>	
		DATA_UPDTAB SPB8N500	205A0000 <hex>	
		DATA_UPDTAB SPB8N500	1800005A <hex>	
		DATA_UPDTAB SPB8N500	80000000 <hex>	
		DATA_UPDTAB SPB8N500	325A0016 <hex>	
		DATA_UPDTAB SPB8N500	120000FF <hex>	
		DATA_UPDTAB SPB8N500	20 <hex>	
		TC Control Flags :		
			GBM IL DSE	

		Subsch. ID : 370		
		Det. descr. : UPDATE CONTENTS OF A TABLE		

SPIRE ON, DPU_START - Switch ON the redundant SPIRE units
 File: H_COP_SPI_RSON.xls
 Author: L.Lucas-hp



Step No.	Time	Activity/Remarks	TC/TLM	Display/ Branch																																																																																																																																	
		TC Control Flags : <p style="text-align: right;">GBM IL DSE --- -- ---</p> Subsch. ID : 370 Det. descr. : UPDATE CONTENTS OF A TABLE																																																																																																																																			
	ET=+00.00.01 UT=+00.00.01	UPDATE_TABLE <p style="text-align: right;">UPDATE_TABLE</p> Command Parameter(s) : <table style="width: 100%; border-collapse: collapse;"> <tr><td style="text-align: right;">TABLEID_UPDTAB</td><td style="text-align: right;">SPB5N500</td><td style="text-align: right;">53 <hex></td></tr> <tr><td style="text-align: right;">INDEX_UPDTAB</td><td style="text-align: right;">SPB6N500</td><td style="text-align: right;">26 <hex></td></tr> <tr><td style="text-align: right;">N_UPDTAB</td><td style="text-align: right;">SPB7N500</td><td style="text-align: right;">38 <dec></td></tr> <tr><td style="text-align: right;">DATA_UPDTAB</td><td style="text-align: right;">SPB8N500</td><td style="text-align: right;">0 <hex></td></tr> <tr><td style="text-align: right;">DATA_UPDTAB</td><td style="text-align: right;">SPB8N500</td><td style="text-align: right;">120000FC <hex></td></tr> <tr><td style="text-align: right;">DATA_UPDTAB</td><td style="text-align: right;">SPB8N500</td><td style="text-align: right;">17F <hex></td></tr> <tr><td style="text-align: right;">DATA_UPDTAB</td><td style="text-align: right;">SPB8N500</td><td style="text-align: right;">12000000 <hex></td></tr> <tr><td style="text-align: right;">DATA_UPDTAB</td><td style="text-align: right;">SPB8N500</td><td style="text-align: right;">501 <hex></td></tr> <tr><td style="text-align: right;">DATA_UPDTAB</td><td style="text-align: right;">SPB8N500</td><td style="text-align: right;">12000001 <hex></td></tr> <tr><td style="text-align: right;">DATA_UPDTAB</td><td style="text-align: right;">SPB8N500</td><td style="text-align: right;">1 <hex></td></tr> <tr><td style="text-align: right;">DATA_UPDTAB</td><td style="text-align: right;">SPB8N500</td><td style="text-align: right;">4B01017F <hex></td></tr> <tr><td colspan="3"> </td></tr> <tr><td style="text-align: right;">DATA_UPDTAB</td><td style="text-align: right;">SPB8N500</td><td style="text-align: right;">6107FC01 <hex></td></tr> <tr><td style="text-align: right;">DATA_UPDTAB</td><td style="text-align: right;">SPB8N500</td><td style="text-align: right;">53020000 <hex></td></tr> <tr><td style="text-align: right;">DATA_UPDTAB</td><td style="text-align: right;">SPB8N500</td><td style="text-align: right;">2000000 <hex></td></tr> <tr><td style="text-align: right;">DATA_UPDTAB</td><td style="text-align: right;">SPB8N500</td><td style="text-align: right;">49000180 <hex></td></tr> <tr><td style="text-align: right;">DATA_UPDTAB</td><td style="text-align: right;">SPB8N500</td><td style="text-align: right;">40000139 <hex></td></tr> <tr><td style="text-align: right;">DATA_UPDTAB</td><td style="text-align: right;">SPB8N500</td><td style="text-align: right;">49000181 <hex></td></tr> <tr><td style="text-align: right;">DATA_UPDTAB</td><td style="text-align: right;">SPB8N500</td><td style="text-align: right;">4000012C <hex></td></tr> <tr><td style="text-align: right;">DATA_UPDTAB</td><td style="text-align: right;">SPB8N500</td><td style="text-align: right;">490C018F <hex></td></tr> <tr><td style="text-align: right;">DATA_UPDTAB</td><td style="text-align: right;">SPB8N500</td><td style="text-align: right;">40000154 <hex></td></tr> <tr><td style="text-align: right;">DATA_UPDTAB</td><td style="text-align: right;">SPB8N500</td><td style="text-align: right;">32000004 <hex></td></tr> <tr><td style="text-align: right;">DATA_UPDTAB</td><td style="text-align: right;">SPB8N500</td><td style="text-align: right;">49000182 <hex></td></tr> <tr><td style="text-align: right;">DATA_UPDTAB</td><td style="text-align: right;">SPB8N500</td><td style="text-align: right;">35010000 <hex></td></tr> <tr><td style="text-align: right;">DATA_UPDTAB</td><td style="text-align: right;">SPB8N500</td><td style="text-align: right;">3000000D <hex></td></tr> <tr><td style="text-align: right;">DATA_UPDTAB</td><td style="text-align: right;">SPB8N500</td><td style="text-align: right;">900000A <hex></td></tr> <tr><td style="text-align: right;">DATA_UPDTAB</td><td style="text-align: right;">SPB8N500</td><td style="text-align: right;">2000000 <hex></td></tr> <tr><td colspan="3"> </td></tr> <tr><td style="text-align: right;">DATA_UPDTAB</td><td style="text-align: right;">SPB8N500</td><td style="text-align: right;">12000000 <hex></td></tr> <tr><td style="text-align: right;">DATA_UPDTAB</td><td style="text-align: right;">SPB8N500</td><td style="text-align: right;">0 <hex></td></tr> <tr><td style="text-align: right;">DATA_UPDTAB</td><td style="text-align: right;">SPB8N500</td><td style="text-align: right;">4901018E <hex></td></tr> <tr><td style="text-align: right;">DATA_UPDTAB</td><td style="text-align: right;">SPB8N500</td><td style="text-align: right;">220C0C01 <hex></td></tr> <tr><td style="text-align: right;">DATA_UPDTAB</td><td style="text-align: right;">SPB8N500</td><td style="text-align: right;">340C0000 <hex></td></tr> <tr><td style="text-align: right;">DATA_UPDTAB</td><td style="text-align: right;">SPB8N500</td><td style="text-align: right;">300000D2 <hex></td></tr> <tr><td style="text-align: right;">DATA_UPDTAB</td><td style="text-align: right;">SPB8N500</td><td style="text-align: right;">220B0B01 <hex></td></tr> <tr><td style="text-align: right;">DATA_UPDTAB</td><td style="text-align: right;">SPB8N500</td><td style="text-align: right;">340B0000 <hex></td></tr> <tr><td style="text-align: right;">DATA_UPDTAB</td><td style="text-align: right;">SPB8N500</td><td style="text-align: right;">300000CA <hex></td></tr> <tr><td style="text-align: right;">DATA_UPDTAB</td><td style="text-align: right;">SPB8N500</td><td style="text-align: right;">30FFFFFF0 <hex></td></tr> <tr><td style="text-align: right;">DATA_UPDTAB</td><td style="text-align: right;">SPB8N500</td><td style="text-align: right;">12000000 <hex></td></tr> <tr><td style="text-align: right;">DATA_UPDTAB</td><td style="text-align: right;">SPB8N500</td><td style="text-align: right;">501 <hex></td></tr> <tr><td style="text-align: right;">DATA_UPDTAB</td><td style="text-align: right;">SPB8N500</td><td style="text-align: right;">12000001 <hex></td></tr> <tr><td style="text-align: right;">DATA_UPDTAB</td><td style="text-align: right;">SPB8N500</td><td style="text-align: right;">2 <hex></td></tr> <tr><td style="text-align: right;">DATA_UPDTAB</td><td style="text-align: right;">SPB8N500</td><td style="text-align: right;">4B01017F <hex></td></tr> </table>	TABLEID_UPDTAB	SPB5N500	53 <hex>	INDEX_UPDTAB	SPB6N500	26 <hex>	N_UPDTAB	SPB7N500	38 <dec>	DATA_UPDTAB	SPB8N500	0 <hex>	DATA_UPDTAB	SPB8N500	120000FC <hex>	DATA_UPDTAB	SPB8N500	17F <hex>	DATA_UPDTAB	SPB8N500	12000000 <hex>	DATA_UPDTAB	SPB8N500	501 <hex>	DATA_UPDTAB	SPB8N500	12000001 <hex>	DATA_UPDTAB	SPB8N500	1 <hex>	DATA_UPDTAB	SPB8N500	4B01017F <hex>				DATA_UPDTAB	SPB8N500	6107FC01 <hex>	DATA_UPDTAB	SPB8N500	53020000 <hex>	DATA_UPDTAB	SPB8N500	2000000 <hex>	DATA_UPDTAB	SPB8N500	49000180 <hex>	DATA_UPDTAB	SPB8N500	40000139 <hex>	DATA_UPDTAB	SPB8N500	49000181 <hex>	DATA_UPDTAB	SPB8N500	4000012C <hex>	DATA_UPDTAB	SPB8N500	490C018F <hex>	DATA_UPDTAB	SPB8N500	40000154 <hex>	DATA_UPDTAB	SPB8N500	32000004 <hex>	DATA_UPDTAB	SPB8N500	49000182 <hex>	DATA_UPDTAB	SPB8N500	35010000 <hex>	DATA_UPDTAB	SPB8N500	3000000D <hex>	DATA_UPDTAB	SPB8N500	900000A <hex>	DATA_UPDTAB	SPB8N500	2000000 <hex>				DATA_UPDTAB	SPB8N500	12000000 <hex>	DATA_UPDTAB	SPB8N500	0 <hex>	DATA_UPDTAB	SPB8N500	4901018E <hex>	DATA_UPDTAB	SPB8N500	220C0C01 <hex>	DATA_UPDTAB	SPB8N500	340C0000 <hex>	DATA_UPDTAB	SPB8N500	300000D2 <hex>	DATA_UPDTAB	SPB8N500	220B0B01 <hex>	DATA_UPDTAB	SPB8N500	340B0000 <hex>	DATA_UPDTAB	SPB8N500	300000CA <hex>	DATA_UPDTAB	SPB8N500	30FFFFFF0 <hex>	DATA_UPDTAB	SPB8N500	12000000 <hex>	DATA_UPDTAB	SPB8N500	501 <hex>	DATA_UPDTAB	SPB8N500	12000001 <hex>	DATA_UPDTAB	SPB8N500	2 <hex>	DATA_UPDTAB	SPB8N500	4B01017F <hex>	SCB02500	
TABLEID_UPDTAB	SPB5N500	53 <hex>																																																																																																																																			
INDEX_UPDTAB	SPB6N500	26 <hex>																																																																																																																																			
N_UPDTAB	SPB7N500	38 <dec>																																																																																																																																			
DATA_UPDTAB	SPB8N500	0 <hex>																																																																																																																																			
DATA_UPDTAB	SPB8N500	120000FC <hex>																																																																																																																																			
DATA_UPDTAB	SPB8N500	17F <hex>																																																																																																																																			
DATA_UPDTAB	SPB8N500	12000000 <hex>																																																																																																																																			
DATA_UPDTAB	SPB8N500	501 <hex>																																																																																																																																			
DATA_UPDTAB	SPB8N500	12000001 <hex>																																																																																																																																			
DATA_UPDTAB	SPB8N500	1 <hex>																																																																																																																																			
DATA_UPDTAB	SPB8N500	4B01017F <hex>																																																																																																																																			
DATA_UPDTAB	SPB8N500	6107FC01 <hex>																																																																																																																																			
DATA_UPDTAB	SPB8N500	53020000 <hex>																																																																																																																																			
DATA_UPDTAB	SPB8N500	2000000 <hex>																																																																																																																																			
DATA_UPDTAB	SPB8N500	49000180 <hex>																																																																																																																																			
DATA_UPDTAB	SPB8N500	40000139 <hex>																																																																																																																																			
DATA_UPDTAB	SPB8N500	49000181 <hex>																																																																																																																																			
DATA_UPDTAB	SPB8N500	4000012C <hex>																																																																																																																																			
DATA_UPDTAB	SPB8N500	490C018F <hex>																																																																																																																																			
DATA_UPDTAB	SPB8N500	40000154 <hex>																																																																																																																																			
DATA_UPDTAB	SPB8N500	32000004 <hex>																																																																																																																																			
DATA_UPDTAB	SPB8N500	49000182 <hex>																																																																																																																																			
DATA_UPDTAB	SPB8N500	35010000 <hex>																																																																																																																																			
DATA_UPDTAB	SPB8N500	3000000D <hex>																																																																																																																																			
DATA_UPDTAB	SPB8N500	900000A <hex>																																																																																																																																			
DATA_UPDTAB	SPB8N500	2000000 <hex>																																																																																																																																			
DATA_UPDTAB	SPB8N500	12000000 <hex>																																																																																																																																			
DATA_UPDTAB	SPB8N500	0 <hex>																																																																																																																																			
DATA_UPDTAB	SPB8N500	4901018E <hex>																																																																																																																																			
DATA_UPDTAB	SPB8N500	220C0C01 <hex>																																																																																																																																			
DATA_UPDTAB	SPB8N500	340C0000 <hex>																																																																																																																																			
DATA_UPDTAB	SPB8N500	300000D2 <hex>																																																																																																																																			
DATA_UPDTAB	SPB8N500	220B0B01 <hex>																																																																																																																																			
DATA_UPDTAB	SPB8N500	340B0000 <hex>																																																																																																																																			
DATA_UPDTAB	SPB8N500	300000CA <hex>																																																																																																																																			
DATA_UPDTAB	SPB8N500	30FFFFFF0 <hex>																																																																																																																																			
DATA_UPDTAB	SPB8N500	12000000 <hex>																																																																																																																																			
DATA_UPDTAB	SPB8N500	501 <hex>																																																																																																																																			
DATA_UPDTAB	SPB8N500	12000001 <hex>																																																																																																																																			
DATA_UPDTAB	SPB8N500	2 <hex>																																																																																																																																			
DATA_UPDTAB	SPB8N500	4B01017F <hex>																																																																																																																																			
		TC Control Flags : <p style="text-align: right;">GBM IL DSE --- -- ---</p> Subsch. ID : 370 Det. descr. : UPDATE CONTENTS OF A TABLE																																																																																																																																			

SPIRE ON, DPU_START - Switch ON the redundant SPIRE units
 File: H_COP_SPI_RSON.xls
 Author: L.Lucas-hp



Step No.	Time	Activity/Remarks	TC/TLM	Display/ Branch
	ET=+00.00.01 UT=+00.00.01	UPDATE_TABLE		
		UPDATE_TABLE	SCB02500	
		Command Parameter(s) :		
		TABLEID_UPDTAB SPB5N500	53 <hex>	
		INDEX_UPDTAB SPB6N500	4C <hex>	
		N_UPDTAB SPB7N500	38 <dec>	
		DATA_UPDTAB SPB8N500	6107FC01 <hex>	
		DATA_UPDTAB SPB8N500	53020000 <hex>	
		DATA_UPDTAB SPB8N500	2000000 <hex>	
		DATA_UPDTAB SPB8N500	49000183 <hex>	
		DATA_UPDTAB SPB8N500	4000011F <hex>	
		DATA_UPDTAB SPB8N500	490C0190 <hex>	
		DATA_UPDTAB SPB8N500	40000146 <hex>	
		DATA_UPDTAB SPB8N500	32000004 <hex>	
		DATA_UPDTAB SPB8N500	49000184 <hex>	
		DATA_UPDTAB SPB8N500	34010000 <hex>	
		DATA_UPDTAB SPB8N500	3000000D <hex>	
		DATA_UPDTAB SPB8N500	900000A <hex>	
		DATA_UPDTAB SPB8N500	2000000 <hex>	
		DATA_UPDTAB SPB8N500	12000000 <hex>	
		DATA_UPDTAB SPB8N500	0 <hex>	
		DATA_UPDTAB SPB8N500	4901018E <hex>	
		DATA_UPDTAB SPB8N500	220C0C01 <hex>	
		DATA_UPDTAB SPB8N500	340C0000 <hex>	
		DATA_UPDTAB SPB8N500	300000B6 <hex>	
		DATA_UPDTAB SPB8N500	220B0B01 <hex>	
		DATA_UPDTAB SPB8N500	340B0000 <hex>	
		DATA_UPDTAB SPB8N500	300000AE <hex>	
		DATA_UPDTAB SPB8N500	30FFFFFF0 <hex>	
		DATA_UPDTAB SPB8N500	12000000 <hex>	
		DATA_UPDTAB SPB8N500	501 <hex>	
		DATA_UPDTAB SPB8N500	12000001 <hex>	
		DATA_UPDTAB SPB8N500	3 <hex>	
		DATA_UPDTAB SPB8N500	4B01017F <hex>	
		DATA_UPDTAB SPB8N500	6107FC01 <hex>	
		DATA_UPDTAB SPB8N500	53020000 <hex>	
		DATA_UPDTAB SPB8N500	2000000 <hex>	
		DATA_UPDTAB SPB8N500	49000185 <hex>	
		DATA_UPDTAB SPB8N500	4000011F <hex>	
		DATA_UPDTAB SPB8N500	490C0191 <hex>	
		DATA_UPDTAB SPB8N500	40000146 <hex>	
		DATA_UPDTAB SPB8N500	32000004 <hex>	
		DATA_UPDTAB SPB8N500	49000186 <hex>	
		DATA_UPDTAB SPB8N500	34010000 <hex>	
		TC Control Flags :		
			GBM IL DSE	

		Subsch. ID : 370		
		Det. descr. : UPDATE CONTENTS OF A TABLE		

SPIRE ON, DPU_START - Switch ON the redundant SPIRE units
 File: H_COP_SPI_RSON.xls
 Author: L.Lucas-hp



Step No.	Time	Activity/Remarks	TC/TLM	Display/ Branch
	ET=+00.00.01 UT=+00.00.01	UPDATE_TABLE		
		UPDATE_TABLE	SCB02500	
		Command Parameter(s) :		
		TABLEID_UPDTAB SPB5N500	53 <hex>	
		INDEX_UPDTAB SPB6N500	72 <hex>	
		N_UPDTAB SPB7N500	38 <dec>	
		DATA_UPDTAB SPB8N500	30000011 <hex>	
		DATA_UPDTAB SPB8N500	9000000A <hex>	
		DATA_UPDTAB SPB8N500	2000000 <hex>	
		DATA_UPDTAB SPB8N500	12000000 <hex>	
		DATA_UPDTAB SPB8N500	0 <hex>	
		DATA_UPDTAB SPB8N500	4901018E <hex>	
		DATA_UPDTAB SPB8N500	220C0C01 <hex>	
		DATA_UPDTAB SPB8N500	340C0000 <hex>	
		DATA_UPDTAB SPB8N500	30000005 <hex>	
		DATA_UPDTAB SPB8N500	220B0B01 <hex>	
		DATA_UPDTAB SPB8N500	340B0000 <hex>	
		DATA_UPDTAB SPB8N500	30000092 <hex>	
		DATA_UPDTAB SPB8N500	30FFFFFF0 <hex>	
		DATA_UPDTAB SPB8N500	12000000 <hex>	
		DATA_UPDTAB SPB8N500	7025 <hex>	
		DATA_UPDTAB SPB8N500	53010000 <hex>	
		DATA_UPDTAB SPB8N500	2000000 <hex>	
		DATA_UPDTAB SPB8N500	12000000 <hex>	
		DATA_UPDTAB SPB8N500	501 <hex>	
		DATA_UPDTAB SPB8N500	12000001 <hex>	
		DATA_UPDTAB SPB8N500	4 <hex>	
		DATA_UPDTAB SPB8N500	4B01017F <hex>	
		DATA_UPDTAB SPB8N500	6107FC01 <hex>	
		DATA_UPDTAB SPB8N500	53020000 <hex>	
		DATA_UPDTAB SPB8N500	20000000 <hex>	
		DATA_UPDTAB SPB8N500	49000187 <hex>	
		DATA_UPDTAB SPB8N500	4000011F <hex>	
		DATA_UPDTAB SPB8N500	490C0192 <hex>	
		DATA_UPDTAB SPB8N500	40000146 <hex>	
		DATA_UPDTAB SPB8N500	32000004 <hex>	
		DATA_UPDTAB SPB8N500	49000184 <hex>	
		DATA_UPDTAB SPB8N500	35010000 <hex>	
		DATA_UPDTAB SPB8N500	30000017 <hex>	
		DATA_UPDTAB SPB8N500	40000162 <hex>	
		DATA_UPDTAB SPB8N500	32000004 <hex>	
		DATA_UPDTAB SPB8N500	4900018A <hex>	
		DATA_UPDTAB SPB8N500	34010000 <hex>	
		DATA_UPDTAB SPB8N500	30000030 <hex>	
		TC Control Flags :		
			GBM IL DSE	

		Subsch. ID : 370		
		Det. descr. : UPDATE CONTENTS OF A TABLE		

SPIRE ON, DPU_START - Switch ON the redundant SPIRE units
 File: H_COP_SPI_RSON.xls
 Author: L.Lucas-hp



Step No.	Time	Activity/Remarks	TC/TLM	Display/ Branch
	ET=+00.00.01 UT=+00.00.01	UPDATE_TABLE		
		UPDATE_TABLE	SCB02500	
		Command Parameter(s) :		
		TABLEID_UPDTAB SPB5N500	53 <hex>	
		INDEX_UPDTAB SPB6N500	98 <hex>	
		N_UPDTAB SPB7N500	38 <dec>	
		DATA_UPDTAB SPB8N500	900000A <hex>	
		DATA_UPDTAB SPB8N500	2000000 <hex>	
		DATA_UPDTAB SPB8N500	12000000 <hex>	
		DATA_UPDTAB SPB8N500	0 <hex>	
		DATA_UPDTAB SPB8N500	4901018E <hex>	
		DATA_UPDTAB SPB8N500	220C0C01 <hex>	
		DATA_UPDTAB SPB8N500	340C0000 <hex>	
		DATA_UPDTAB SPB8N500	30000005 <hex>	
		DATA_UPDTAB SPB8N500	220B0B01 <hex>	
		DATA_UPDTAB SPB8N500	340B0000 <hex>	
		DATA_UPDTAB SPB8N500	3000006D <hex>	
		DATA_UPDTAB SPB8N500	30FFFFEB <hex>	
		DATA_UPDTAB SPB8N500	12000000 <hex>	
		DATA_UPDTAB SPB8N500	7021 <hex>	
		DATA_UPDTAB SPB8N500	53010000 <hex>	
		DATA_UPDTAB SPB8N500	2000000 <hex>	
		DATA_UPDTAB SPB8N500	3000001F <hex>	
		DATA_UPDTAB SPB8N500	49000188 <hex>	
		DATA_UPDTAB SPB8N500	4000011F <hex>	
		DATA_UPDTAB SPB8N500	490C0192 <hex>	
		DATA_UPDTAB SPB8N500	40000146 <hex>	
		DATA_UPDTAB SPB8N500	32000004 <hex>	
		DATA_UPDTAB SPB8N500	49000189 <hex>	
		DATA_UPDTAB SPB8N500	34010000 <hex>	
		DATA_UPDTAB SPB8N500	30FFFFDB <hex>	
		DATA_UPDTAB SPB8N500	40000162 <hex>	
		DATA_UPDTAB SPB8N500	32000004 <hex>	
		DATA_UPDTAB SPB8N500	4900018A <hex>	
		DATA_UPDTAB SPB8N500	34010000 <hex>	
		DATA_UPDTAB SPB8N500	30000012 <hex>	
		DATA_UPDTAB SPB8N500	900000A <hex>	
		DATA_UPDTAB SPB8N500	2000000 <hex>	
		DATA_UPDTAB SPB8N500	12000000 <hex>	
		DATA_UPDTAB SPB8N500	0 <hex>	
		DATA_UPDTAB SPB8N500	4901018E <hex>	
		DATA_UPDTAB SPB8N500	220C0C01 <hex>	
		DATA_UPDTAB SPB8N500	340C0000 <hex>	
		DATA_UPDTAB SPB8N500	30000005 <hex>	
		TC Control Flags :		
			GBM IL DSE	

		Subsch. ID : 370		
		Det. descr. : UPDATE CONTENTS OF A TABLE		

SPIRE ON, DPU_START - Switch ON the redundant SPIRE units
 File: H_COP_SPI_RSON.xls
 Author: L.Lucas-hp



Step No.	Time	Activity/Remarks	TC/TLM	Display/ Branch
	ET=+00.00.01 UT=+00.00.01	UPDATE_TABLE		
		UPDATE_TABLE	SCB02500	
		Command Parameter(s) :		
		TABLEID_UPDTAB SPB8N500	53 <hex>	
		INDEX_UPDTAB SPB6N500	BE <hex>	
		N_UPDTAB SPB7N500	38 <dec>	
		DATA_UPDTAB SPB8N500	220B0B01 <hex>	
		DATA_UPDTAB SPB8N500	340B0000 <hex>	
		DATA_UPDTAB SPB8N500	3000004F <hex>	
		DATA_UPDTAB SPB8N500	30FFFFEB <hex>	
		DATA_UPDTAB SPB8N500	12000000 <hex>	
		DATA_UPDTAB SPB8N500	7022 <hex>	
		DATA_UPDTAB SPB8N500	53010000 <hex>	
		DATA_UPDTAB SPB8N500	2000000 <hex>	
		DATA_UPDTAB SPB8N500	30000001 <hex>	
		DATA_UPDTAB SPB8N500	12000000 <hex>	
		DATA_UPDTAB SPB8N500	501 <hex>	
		DATA_UPDTAB SPB8N500	12000001 <hex>	
		DATA_UPDTAB SPB8N500	5 <hex>	
		DATA_UPDTAB SPB8N500	4B01017F <hex>	
		DATA_UPDTAB SPB8N500	6107FC01 <hex>	
		DATA_UPDTAB SPB8N500	53020000 <hex>	
		DATA_UPDTAB SPB8N500	2000000 <hex>	
		DATA_UPDTAB SPB8N500	49000181 <hex>	
		DATA_UPDTAB SPB8N500	4000011F <hex>	
		DATA_UPDTAB SPB8N500	49000181 <hex>	
		DATA_UPDTAB SPB8N500	40000139 <hex>	
		DATA_UPDTAB SPB8N500	490C0190 <hex>	
		DATA_UPDTAB SPB8N500	40000170 <hex>	
		DATA_UPDTAB SPB8N500	32000004 <hex>	
		DATA_UPDTAB SPB8N500	4900018B <hex>	
		DATA_UPDTAB SPB8N500	35010000 <hex>	
		DATA_UPDTAB SPB8N500	3000000D <hex>	
		DATA_UPDTAB SPB8N500	900000A <hex>	
		DATA_UPDTAB SPB8N500	2000000 <hex>	
		DATA_UPDTAB SPB8N500	12000000 <hex>	
		DATA_UPDTAB SPB8N500	0 <hex>	
		DATA_UPDTAB SPB8N500	4901018E <hex>	
		DATA_UPDTAB SPB8N500	220C0C01 <hex>	
		DATA_UPDTAB SPB8N500	340C0000 <hex>	
		DATA_UPDTAB SPB8N500	30000034 <hex>	
		DATA_UPDTAB SPB8N500	220B0B01 <hex>	
		DATA_UPDTAB SPB8N500	340B0000 <hex>	
		DATA_UPDTAB SPB8N500	3000002C <hex>	
		TC Control Flags :		
			GBM IL DSE	

		Subsch. ID : 370		
		Det. descr. : UPDATE CONTENTS OF A TABLE		

SPIRE ON, DPU_START - Switch ON the redundant SPIRE units
 File: H_COP_SPI_RSON.xls
 Author: L.Lucas-hp



Step No.	Time	Activity/Remarks	TC/TLM	Display/ Branch
	ET=+00.00.01 UT=+00.00.01	UPDATE_TABLE UPDATE_TABLE	SCB02500	
		Command Parameter(s) :		
		TABLEID_UPDTAB SPB8N500	53 <hex>	
		INDEX_UPDTAB SPB8N500	E4 <hex>	
		N_UPDTAB SPB8N500	38 <dec>	
		DATA_UPDTAB SPB8N500	30FFFFFF0 <hex>	
		DATA_UPDTAB SPB8N500	12000000 <hex>	
		DATA_UPDTAB SPB8N500	501 <hex>	
		DATA_UPDTAB SPB8N500	12000001 <hex>	
		DATA_UPDTAB SPB8N500	6 <hex>	
		DATA_UPDTAB SPB8N500	4B01017F <hex>	
		DATA_UPDTAB SPB8N500	6107FC01 <hex>	
		DATA_UPDTAB SPB8N500	53020000 <hex>	
		DATA_UPDTAB SPB8N500	2000000 <hex>	
		DATA_UPDTAB SPB8N500	49000180 <hex>	
		DATA_UPDTAB SPB8N500	4000012C <hex>	
		DATA_UPDTAB SPB8N500	490C0193 <hex>	
		DATA_UPDTAB SPB8N500	40000146 <hex>	
		DATA_UPDTAB SPB8N500	32000004 <hex>	
		DATA_UPDTAB SPB8N500	4900018C <hex>	
		DATA_UPDTAB SPB8N500	35010000 <hex>	
		DATA_UPDTAB SPB8N500	30000011 <hex>	
		DATA_UPDTAB SPB8N500	9000000A <hex>	
		DATA_UPDTAB SPB8N500	2000000 <hex>	
		DATA_UPDTAB SPB8N500	12000000 <hex>	
		DATA_UPDTAB SPB8N500	0 <hex>	
		DATA_UPDTAB SPB8N500	4901018E <hex>	
		DATA_UPDTAB SPB8N500	220C0C01 <hex>	
		DATA_UPDTAB SPB8N500	340C0000 <hex>	
		DATA_UPDTAB SPB8N500	30000005 <hex>	
		DATA_UPDTAB SPB8N500	220B0B01 <hex>	
		DATA_UPDTAB SPB8N500	340B0000 <hex>	
		DATA_UPDTAB SPB8N500	30000010 <hex>	
		DATA_UPDTAB SPB8N500	30FFFFFF0 <hex>	
		DATA_UPDTAB SPB8N500	12000000 <hex>	
		DATA_UPDTAB SPB8N500	7023 <hex>	
		DATA_UPDTAB SPB8N500	53010000 <hex>	
		DATA_UPDTAB SPB8N500	30000003 <hex>	
		DATA_UPDTAB SPB8N500	4900018D <hex>	
		DATA_UPDTAB SPB8N500	4000012C <hex>	
		DATA_UPDTAB SPB8N500	12000000 <hex>	
		DATA_UPDTAB SPB8N500	501 <hex>	
		DATA_UPDTAB SPB8N500	12000001 <hex>	
		TC Control Flags :		
			GBM IL DSE	

		Subsch. ID : 370		
		Det. descr. : UPDATE CONTENTS OF A TABLE		

SPIRE ON, DPU_START - Switch ON the redundant SPIRE units
 File: H_COP_SPI_RSON.xls
 Author: L.Lucas-hp



Step No.	Time	Activity/Remarks	TC/TLM	Display/ Branch
	ET=+00.00.01 UT=+00.00.01	UPDATE_TABLE	SCB02500	
		UPDATE_TABLE		
		Command Parameter(s) :		
		TABLEID_UPDTAB SPB8N500	53 <hex>	
		INDEX_UPDTAB SPB8N500	10A <hex>	
		N_UPDTAB SPB8N500	38 <dec>	
		DATA_UPDTAB SPB8N500	7 <hex>	
		DATA_UPDTAB SPB8N500	4B01017F <hex>	
		DATA_UPDTAB SPB8N500	6107FC01 <hex>	
		DATA_UPDTAB SPB8N500	53020000 <hex>	
		DATA_UPDTAB SPB8N500	7F000000 <hex>	
		DATA_UPDTAB SPB8N500	12000000 <hex>	
		DATA_UPDTAB SPB8N500	7024 <hex>	
		DATA_UPDTAB SPB8N500	53010000 <hex>	
		DATA_UPDTAB SPB8N500	2000000 <hex>	
		DATA_UPDTAB SPB8N500	30000005 <hex>	
		DATA_UPDTAB SPB8N500	12000000 <hex>	
		DATA_UPDTAB SPB8N500	7020 <hex>	
		DATA_UPDTAB SPB8N500	53010000 <hex>	
		DATA_UPDTAB SPB8N500	2000000 <hex>	
		DATA_UPDTAB SPB8N500	49000181 <hex>	
		DATA_UPDTAB SPB8N500	4000011F <hex>	
		DATA_UPDTAB SPB8N500	49000181 <hex>	
		DATA_UPDTAB SPB8N500	4000012C <hex>	
		DATA_UPDTAB SPB8N500	49000181 <hex>	
		DATA_UPDTAB SPB8N500	40000139 <hex>	
		DATA_UPDTAB SPB8N500	7F000000 <hex>	
		DATA_UPDTAB SPB8N500	80007D0 <hex>	
		DATA_UPDTAB SPB8N500	1000001 <hex>	
		DATA_UPDTAB SPB8N500	12000003 <hex>	
		DATA_UPDTAB SPB8N500	7D0 <hex>	
		DATA_UPDTAB SPB8N500	20020000 <hex>	
		DATA_UPDTAB SPB8N500	12000001 <hex>	
		DATA_UPDTAB SPB8N500	C7 <hex>	
		DATA_UPDTAB SPB8N500	12000000 <hex>	
		DATA_UPDTAB SPB8N500	2 <hex>	
		DATA_UPDTAB SPB8N500	60640001 <hex>	
		DATA_UPDTAB SPB8N500	80007D0 <hex>	
		DATA_UPDTAB SPB8N500	1000000 <hex>	
		DATA_UPDTAB SPB8N500	41000000 <hex>	
		DATA_UPDTAB SPB8N500	80007D0 <hex>	
		DATA_UPDTAB SPB8N500	1000001 <hex>	
		DATA_UPDTAB SPB8N500	12000003 <hex>	
		DATA_UPDTAB SPB8N500	7D0 <hex>	
		TC Control Flags :		
			GBM IL DSE	

		Subsch. ID : 370		
		Det. descr. : UPDATE CONTENTS OF A TABLE		

SPIRE ON, DPU_START - Switch ON the redundant SPIRE units
 File: H_COP_SPI_RSON.xls
 Author: L.Lucas-hp



Step No.	Time	Activity/Remarks	TC/TLM	Display/ Branch
	ET=+00.00.01 UT=+00.00.01	UPDATE_TABLE		
		UPDATE_TABLE	SCB02500	
		Command Parameter(s) :		
		TABLEID_UPDTAB	SPB5N500	53 <hex>
		INDEX_UPDTAB	SPB6N500	130 <hex>
		N_UPDTAB	SPB7N500	38 <dec>
		DATA_UPDTAB	SPB8N500	20020000 <hex>
		DATA_UPDTAB	SPB8N500	12000001 <hex>
		DATA_UPDTAB	SPB8N500	C4 <hex>
		DATA_UPDTAB	SPB8N500	12000000 <hex>
		DATA_UPDTAB	SPB8N500	2 <hex>
		DATA_UPDTAB	SPB8N500	60640001 <hex>
		DATA_UPDTAB	SPB8N500	80007D0 <hex>
		DATA_UPDTAB	SPB8N500	1000000 <hex>
		DATA_UPDTAB	SPB8N500	41000000 <hex>
		DATA_UPDTAB	SPB8N500	80007D0 <hex>
		DATA_UPDTAB	SPB8N500	1000001 <hex>
		DATA_UPDTAB	SPB8N500	12000000 <hex>
		DATA_UPDTAB	SPB8N500	2 <hex>
		DATA_UPDTAB	SPB8N500	12000001 <hex>
		DATA_UPDTAB	SPB8N500	C5 <hex>
		DATA_UPDTAB	SPB8N500	12000000 <hex>
		DATA_UPDTAB	SPB8N500	2 <hex>
		DATA_UPDTAB	SPB8N500	60640001 <hex>
		DATA_UPDTAB	SPB8N500	80007D0 <hex>
		DATA_UPDTAB	SPB8N500	1000000 <hex>
		DATA_UPDTAB	SPB8N500	41000000 <hex>
		DATA_UPDTAB	SPB8N500	80007D0 <hex>
		DATA_UPDTAB	SPB8N500	1000001 <hex>
		DATA_UPDTAB	SPB8N500	12000000 <hex>
		DATA_UPDTAB	SPB8N500	2 <hex>
		DATA_UPDTAB	SPB8N500	12000001 <hex>
		DATA_UPDTAB	SPB8N500	8E0 <hex>
		DATA_UPDTAB	SPB8N500	12000002 <hex>
		DATA_UPDTAB	SPB8N500	0 <hex>
		DATA_UPDTAB	SPB8N500	12000003 <hex>
		DATA_UPDTAB	SPB8N500	7D0 <hex>
		DATA_UPDTAB	SPB8N500	60640001 <hex>
		DATA_UPDTAB	SPB8N500	80007D0 <hex>
		DATA_UPDTAB	SPB8N500	1000000 <hex>
		DATA_UPDTAB	SPB8N500	41000000 <hex>
		DATA_UPDTAB	SPB8N500	80007D0 <hex>
		DATA_UPDTAB	SPB8N500	1000001 <hex>
		TC Control Flags :		
			GBM IL DSE	

		Subsch. ID : 370		
		Det. descr. : UPDATE CONTENTS OF A TABLE		

SPIRE ON, DPU_START - Switch ON the redundant SPIRE units
 File: H_COP_SPI_RSON.xls
 Author: L.Lucas-hp



Step No.	Time	Activity/Remarks	TC/TLM	Display/ Branch
	ET=+00.00.01 UT=+00.00.01	UPDATE_TABLE		
		UPDATE_TABLE	SCB02500	
		Command Parameter(s) :		
		TABLEID_UPDTAB SPB5N500	53 <hex>	
		INDEX_UPDTAB SPB6N500	156 <hex>	
		N_UPDTAB SPB7N500	38 <dec>	
		DATA_UPDTAB SPB8N500	12000000 <hex>	
		DATA_UPDTAB SPB8N500	2 <hex>	
		DATA_UPDTAB SPB8N500	12000001 <hex>	
		DATA_UPDTAB SPB8N500	8E1 <hex>	
		DATA_UPDTAB SPB8N500	12000002 <hex>	
		DATA_UPDTAB SPB8N500	0 <hex>	
		DATA_UPDTAB SPB8N500	12000003 <hex>	
		DATA_UPDTAB SPB8N500	7D0 <hex>	
		DATA_UPDTAB SPB8N500	60640001 <hex>	
		DATA_UPDTAB SPB8N500	80007D0 <hex>	
		DATA_UPDTAB SPB8N500	1000000 <hex>	
		DATA_UPDTAB SPB8N500	41000000 <hex>	
		DATA_UPDTAB SPB8N500	80007D0 <hex>	
		DATA_UPDTAB SPB8N500	1000001 <hex>	
		DATA_UPDTAB SPB8N500	12000000 <hex>	
		DATA_UPDTAB SPB8N500	2 <hex>	
		DATA_UPDTAB SPB8N500	12000001 <hex>	
		DATA_UPDTAB SPB8N500	8F0 <hex>	
		DATA_UPDTAB SPB8N500	12000002 <hex>	
		DATA_UPDTAB SPB8N500	0 <hex>	
		DATA_UPDTAB SPB8N500	12000003 <hex>	
		DATA_UPDTAB SPB8N500	7D0 <hex>	
		DATA_UPDTAB SPB8N500	60640001 <hex>	
		DATA_UPDTAB SPB8N500	80007D0 <hex>	
		DATA_UPDTAB SPB8N500	1000000 <hex>	
		DATA_UPDTAB SPB8N500	41000000 <hex>	
		DATA_UPDTAB SPB8N500	80007D0 <hex>	
		DATA_UPDTAB SPB8N500	1000001 <hex>	
		DATA_UPDTAB SPB8N500	12000000 <hex>	
		DATA_UPDTAB SPB8N500	2 <hex>	
		DATA_UPDTAB SPB8N500	12000001 <hex>	
		DATA_UPDTAB SPB8N500	8E2 <hex>	
		DATA_UPDTAB SPB8N500	12000002 <hex>	
		DATA_UPDTAB SPB8N500	0 <hex>	
		DATA_UPDTAB SPB8N500	12000003 <hex>	
		DATA_UPDTAB SPB8N500	7D0 <hex>	
		DATA_UPDTAB SPB8N500	60640001 <hex>	
		DATA_UPDTAB SPB8N500	80007D0 <hex>	
		TC Control Flags :		
			GBM IL DSE	

		Subsch. ID : 370		
		Det. descr. : UPDATE CONTENTS OF A TABLE		

SPIRE ON, DPU_START - Switch ON the redundant SPIRE units
 File: H_COP_SPI_RSON.xls
 Author: L.Lucas-hp



Step No.	Time	Activity/Remarks	TC/TLM	Display/ Branch
		DATA_UPDTAB SPB8N500	40000000 <hex>	
		DATA_UPDTAB SPB8N500	3200006F <hex>	
		DATA_UPDTAB SPB8N500	A00005C <hex>	
		DATA_UPDTAB SPB8N500	325C0014 <hex>	
		DATA_UPDTAB SPB8N500	2000005B <hex>	
		DATA_UPDTAB SPB8N500	18000000 <hex>	
		DATA_UPDTAB SPB8N500	30000000 <hex>	
		DATA_UPDTAB SPB8N500	32000005 <hex>	
		DATA_UPDTAB SPB8N500	1200005A <hex>	
		DATA_UPDTAB SPB8N500	520 <hex>	
		DATA_UPDTAB SPB8N500	5302005A <hex>	
		DATA_UPDTAB SPB8N500	30000062 <hex>	
		DATA_UPDTAB SPB8N500	14000000 <hex>	
		DATA_UPDTAB SPB8N500	10000000 <hex>	
		DATA_UPDTAB SPB8N500	32000005 <hex>	
		TC Control Flags :		
			GBM IL DSE	

		Subsch. ID : 370		
		Det. descr. : UPDATE CONTENTS OF A TABLE		
		UPDATE_TABLE	UPDATE_TABLE	SCB02500
	ET=+00.00.01 UT=+00.00.01	Command Parameter(s) :		
		TABLEID_UPDTAB SPB5N500	64 <hex>	
		INDEX_UPDTAB SPB6N500	8A <hex>	
		N_UPDTAB SPB7N500	38 <dec>	
		DATA_UPDTAB SPB8N500	1200005A <hex>	
		DATA_UPDTAB SPB8N500	521 <hex>	
		DATA_UPDTAB SPB8N500	5302005A <hex>	
		DATA_UPDTAB SPB8N500	3000005B <hex>	
		DATA_UPDTAB SPB8N500	1200005A <hex>	
		DATA_UPDTAB SPB8N500	522 <hex>	
		DATA_UPDTAB SPB8N500	5302005A <hex>	
		DATA_UPDTAB SPB8N500	30000057 <hex>	
		DATA_UPDTAB SPB8N500	2000005B <hex>	
		DATA_UPDTAB SPB8N500	18000000 <hex>	
		DATA_UPDTAB SPB8N500	8000000 <hex>	
		DATA_UPDTAB SPB8N500	3200001F <hex>	
		DATA_UPDTAB SPB8N500	2000005B <hex>	
		DATA_UPDTAB SPB8N500	18000000 <hex>	
		DATA_UPDTAB SPB8N500	CFFFFFFF <hex>	
		DATA_UPDTAB SPB8N500	2001005C <hex>	
		DATA_UPDTAB SPB8N500	18000001 <hex>	
		DATA_UPDTAB SPB8N500	CFFFFFFF <hex>	
		DATA_UPDTAB SPB8N500	22000001 <hex>	
		DATA_UPDTAB SPB8N500	18000000 <hex>	
		DATA_UPDTAB SPB8N500	CFFFFFFF <hex>	
		DATA_UPDTAB SPB8N500	32000002 <hex>	
		DATA_UPDTAB SPB8N500	30000032 <hex>	

SPIRE ON, DPU_START - Switch ON the redundant SPIRE units
 File: H_COP_SPI_RSON.xls
 Author: L.Lucas-hp



Step No.	Time	Activity/Remarks	TC/TLM	Display/ Branch
		DATA_UPDTAB SPB8N500	2000005B <hex>	
		DATA_UPDTAB SPB8N500	18000000 <hex>	
		DATA_UPDTAB SPB8N500	30000000 <hex>	
		DATA_UPDTAB SPB8N500	32000005 <hex>	
		DATA_UPDTAB SPB8N500	1200005A <hex>	
		DATA_UPDTAB SPB8N500	50C <hex>	
		DATA_UPDTAB SPB8N500	5303005A <hex>	
		DATA_UPDTAB SPB8N500	30000040 <hex>	
		DATA_UPDTAB SPB8N500	14000000 <hex>	
		DATA_UPDTAB SPB8N500	10000000 <hex>	
		DATA_UPDTAB SPB8N500	32000005 <hex>	
		DATA_UPDTAB SPB8N500	1200005A <hex>	
		DATA_UPDTAB SPB8N500	50D <hex>	
		DATA_UPDTAB SPB8N500	5303005A <hex>	
		DATA_UPDTAB SPB8N500	30000039 <hex>	
		TC Control Flags :		
			GBM IL DSE	

		Subsch. ID : 370		
		Det. descr. : UPDATE CONTENTS OF A TABLE		
		UPDATE_TABLE	UPDATE_TABLE	SCB02500
	ET=+00.00.01 UT=+00.00.01	Command Parameter(s) :		
		TABLEID_UPDTAB SPB5N500	64 <hex>	
		INDEX_UPDTAB SPB6N500	B0 <hex>	
		N_UPDTAB SPB7N500	38 <dec>	
		DATA_UPDTAB SPB8N500	1200005A <hex>	
		DATA_UPDTAB SPB8N500	50E <hex>	
		DATA_UPDTAB SPB8N500	5303005A <hex>	
		DATA_UPDTAB SPB8N500	30000035 <hex>	
		DATA_UPDTAB SPB8N500	2000005B <hex>	
		DATA_UPDTAB SPB8N500	18000000 <hex>	
		DATA_UPDTAB SPB8N500	CFFF0000 <hex>	
		DATA_UPDTAB SPB8N500	2001005C <hex>	
		DATA_UPDTAB SPB8N500	18000001 <hex>	
		DATA_UPDTAB SPB8N500	CFFF0000 <hex>	
		DATA_UPDTAB SPB8N500	22000001 <hex>	
		DATA_UPDTAB SPB8N500	18000000 <hex>	
		DATA_UPDTAB SPB8N500	CFFF0000 <hex>	
		DATA_UPDTAB SPB8N500	32000002 <hex>	
		DATA_UPDTAB SPB8N500	30000014 <hex>	
		DATA_UPDTAB SPB8N500	2000005B <hex>	
		DATA_UPDTAB SPB8N500	18000000 <hex>	
		DATA_UPDTAB SPB8N500	30000000 <hex>	
		DATA_UPDTAB SPB8N500	32000005 <hex>	
		DATA_UPDTAB SPB8N500	1200005A <hex>	
		DATA_UPDTAB SPB8N500	50C <hex>	
		DATA_UPDTAB SPB8N500	5303005A <hex>	
		DATA_UPDTAB SPB8N500	30000022 <hex>	

SPIRE ON, DPU_START - Switch ON the redundant SPIRE units
 File: H_COP_SPI_RSON.xls
 Author: L.Lucas-hp



Step No.	Time	Activity/Remarks	TC/TLM	Display/ Branch
		DATA_UPDTAB SPB8N500	14000000 <hex>	
		DATA_UPDTAB SPB8N500	10000000 <hex>	
		DATA_UPDTAB SPB8N500	32000005 <hex>	
		DATA_UPDTAB SPB8N500	1200005A <hex>	
		DATA_UPDTAB SPB8N500	50D <hex>	
		DATA_UPDTAB SPB8N500	5303005A <hex>	
		DATA_UPDTAB SPB8N500	3000001B <hex>	
		DATA_UPDTAB SPB8N500	1200005A <hex>	
		DATA_UPDTAB SPB8N500	50E <hex>	
		DATA_UPDTAB SPB8N500	5303005A <hex>	
		DATA_UPDTAB SPB8N500	30000017 <hex>	
		DATA_UPDTAB SPB8N500	2000005C <hex>	
		DATA_UPDTAB SPB8N500	18000000 <hex>	
		DATA_UPDTAB SPB8N500	30000000 <hex>	
		DATA_UPDTAB SPB8N500	32000002 <hex>	
		TC Control Flags :		
			GBM IL DSE	

		Subsch. ID : 370		
		Det. descr. : UPDATE CONTENTS OF A TABLE		
		UPDATE_TABLE	UPDATE_TABLE	SCB02500
	ET=+00.00.01 UT=+00.00.01	Command Parameter(s) :		
		TABLEID_UPDTAB SPB5N500	64 <hex>	
		INDEX_UPDTAB SPB6N500	D6 <hex>	
		N_UPDTAB SPB7N500	38 <dec>	
		DATA_UPDTAB SPB8N500	30000015 <hex>	
		DATA_UPDTAB SPB8N500	14000000 <hex>	
		DATA_UPDTAB SPB8N500	10000000 <hex>	
		DATA_UPDTAB SPB8N500	32000005 <hex>	
		DATA_UPDTAB SPB8N500	1200005A <hex>	
		DATA_UPDTAB SPB8N500	509 <hex>	
		DATA_UPDTAB SPB8N500	5303005A <hex>	
		DATA_UPDTAB SPB8N500	3000000B <hex>	
		DATA_UPDTAB SPB8N500	14000000 <hex>	
		DATA_UPDTAB SPB8N500	10000000 <hex>	
		DATA_UPDTAB SPB8N500	32000005 <hex>	
		DATA_UPDTAB SPB8N500	1200005A <hex>	
		DATA_UPDTAB SPB8N500	50A <hex>	
		DATA_UPDTAB SPB8N500	5303005A <hex>	
		DATA_UPDTAB SPB8N500	30000004 <hex>	
		DATA_UPDTAB SPB8N500	1200005A <hex>	
		DATA_UPDTAB SPB8N500	50B <hex>	
		DATA_UPDTAB SPB8N500	5303005A <hex>	
		DATA_UPDTAB SPB8N500	12000000 <hex>	
		DATA_UPDTAB SPB8N500	FFFF <hex>	
		DATA_UPDTAB SPB8N500	30000006 <hex>	
		DATA_UPDTAB SPB8N500	12000000 <hex>	
		DATA_UPDTAB SPB8N500	0 <hex>	

SPIRE ON, DPU_START - Switch ON the redundant SPIRE units
 File: H_COP_SPI_RSON.xls
 Author: L.Lucas-hp



Step No.	Time	Activity/Remarks	TC/TLM	Display/ Branch
		DATA_UPDTAB SPB8N500	2037000F <hex>	
		DATA_UPDTAB SPB8N500	20380010 <hex>	
		DATA_UPDTAB SPB8N500	20390011 <hex>	
		DATA_UPDTAB SPB8N500	203A0012 <hex>	
		DATA_UPDTAB SPB8N500	203B0013 <hex>	
		DATA_UPDTAB SPB8N500	41000000 <hex>	
		DATA_UPDTAB SPB8N500	40000104 <hex>	
		DATA_UPDTAB SPB8N500	12000014 <hex>	
		DATA_UPDTAB SPB8N500	7D0 <hex>	
		DATA_UPDTAB SPB8N500	20170004 <hex>	
		DATA_UPDTAB SPB8N500	14000017 <hex>	
		DATA_UPDTAB SPB8N500	FFFF <hex>	
		DATA_UPDTAB SPB8N500	20150003 <hex>	
		DATA_UPDTAB SPB8N500	14000015 <hex>	
		DATA_UPDTAB SPB8N500	7D0 <hex>	
		TC Control Flags :		
			GBM IL DSE	

		Subsch. ID : 370		
		Det. descr. : UPDATE CONTENTS OF A TABLE		
		UPDATE_TABLE	UPDATE_TABLE	SCB02500
	ET=+00.00.01 UT=+00.00.01	Command Parameter(s) :		
		TABLEID_UPDTAB SPB5N500	64 <hex>	
		INDEX_UPDTAB SPB6N500	122 <hex>	
		N_UPDTAB SPB7N500	38 <dec>	
		DATA_UPDTAB SPB8N500	14000015 <hex>	
		DATA_UPDTAB SPB8N500	7D0 <hex>	
		DATA_UPDTAB SPB8N500	32170002 <hex>	
		DATA_UPDTAB SPB8N500	30000007 <hex>	
		DATA_UPDTAB SPB8N500	14000015 <hex>	
		DATA_UPDTAB SPB8N500	7D0 <hex>	
		DATA_UPDTAB SPB8N500	14000015 <hex>	
		DATA_UPDTAB SPB8N500	7D0 <hex>	
		DATA_UPDTAB SPB8N500	14000015 <hex>	
		DATA_UPDTAB SPB8N500	7D0 <hex>	
		DATA_UPDTAB SPB8N500	14000015 <hex>	
		DATA_UPDTAB SPB8N500	7D0 <hex>	
		DATA_UPDTAB SPB8N500	32020002 <hex>	
		DATA_UPDTAB SPB8N500	30000003 <hex>	
		DATA_UPDTAB SPB8N500	14000015 <hex>	
		DATA_UPDTAB SPB8N500	7D0 <hex>	
		DATA_UPDTAB SPB8N500	35150014 <hex>	
		DATA_UPDTAB SPB8N500	30000005 <hex>	
		DATA_UPDTAB SPB8N500	12000000 <hex>	
		DATA_UPDTAB SPB8N500	7000 <hex>	
		DATA_UPDTAB SPB8N500	53010000 <hex>	
		DATA_UPDTAB SPB8N500	3000004E <hex>	
		DATA_UPDTAB SPB8N500	20160000 <hex>	
		DATA_UPDTAB SPB8N500	16000016 <hex>	
		DATA_UPDTAB SPB8N500	2 <hex>	

SPIRE ON, DPU_START - Switch ON the redundant SPIRE units
 File: H_COP_SPI_RSON.xls
 Author: L.Lucas-hp



Step No.	Time	Activity/Remarks	TC/TLM	Display/ Branch
		DATA_UPDTAB SPB8N500	22161603 <hex>	
		DATA_UPDTAB SPB8N500	14000016 <hex>	
		DATA_UPDTAB SPB8N500	7D0 <hex>	
		DATA_UPDTAB SPB8N500	14000016 <hex>	
		DATA_UPDTAB SPB8N500	7D0 <hex>	
		DATA_UPDTAB SPB8N500	14000016 <hex>	
		DATA_UPDTAB SPB8N500	7D0 <hex>	
		DATA_UPDTAB SPB8N500	32020002 <hex>	
		DATA_UPDTAB SPB8N500	30000003 <hex>	
		DATA_UPDTAB SPB8N500	14000016 <hex>	
		DATA_UPDTAB SPB8N500	7D0 <hex>	
		DATA_UPDTAB SPB8N500	35160014 <hex>	
		DATA_UPDTAB SPB8N500	30000005 <hex>	
		DATA_UPDTAB SPB8N500	12000000 <hex>	
		DATA_UPDTAB SPB8N500	7001 <hex>	
		TC Control Flags :		
			GBM IL DSE	

		Subsch. ID : 370		
		Det. descr. : UPDATE CONTENTS OF A TABLE		
		UPDATE_TABLE	UPDATE_TABLE	SCB02500
	ET+=00.00.01 UT+=00.00.01	Command Parameter(s) :		
		TABLEID_UPDTAB SPB5N500	64 <hex>	
		INDEX_UPDTAB SPB6N500	148 <hex>	
		N_UPDTAB SPB7N500	38 <dec>	
		DATA_UPDTAB SPB8N500	53010000 <hex>	
		DATA_UPDTAB SPB8N500	3000003A <hex>	
		DATA_UPDTAB SPB8N500	80007D0 <hex>	
		DATA_UPDTAB SPB8N500	1000001 <hex>	
		DATA_UPDTAB SPB8N500	12000003 <hex>	
		DATA_UPDTAB SPB8N500	7D0 <hex>	
		DATA_UPDTAB SPB8N500	9000003 <hex>	
		DATA_UPDTAB SPB8N500	12000000 <hex>	
		DATA_UPDTAB SPB8N500	0 <hex>	
		DATA_UPDTAB SPB8N500	12000001 <hex>	
		DATA_UPDTAB SPB8N500	43E <hex>	
		DATA_UPDTAB SPB8N500	12000002 <hex>	
		DATA_UPDTAB SPB8N500	0 <hex>	
		DATA_UPDTAB SPB8N500	400000F1 <hex>	
		DATA_UPDTAB SPB8N500	12000000 <hex>	
		DATA_UPDTAB SPB8N500	0 <hex>	
		DATA_UPDTAB SPB8N500	12000001 <hex>	
		DATA_UPDTAB SPB8N500	43D <hex>	
		DATA_UPDTAB SPB8N500	2002002A <hex>	
		DATA_UPDTAB SPB8N500	400000F1 <hex>	
		DATA_UPDTAB SPB8N500	12000000 <hex>	
		DATA_UPDTAB SPB8N500	0 <hex>	
		DATA_UPDTAB SPB8N500	12000001 <hex>	

SPIRE ON, DPU_START - Switch ON the redundant SPIRE units
 File: H_COP_SPI_RSON.xls
 Author: L.Lucas-hp



Step No.	Time	Activity/Remarks	TC/TLM	Display/ Branch
		DATA_UPDTAB SPB8N500	43C <hex>	
		DATA_UPDTAB SPB8N500	20020029 <hex>	
		DATA_UPDTAB SPB8N500	400000F1 <hex>	
		DATA_UPDTAB SPB8N500	32020008 <hex>	
		DATA_UPDTAB SPB8N500	12000000 <hex>	
		DATA_UPDTAB SPB8N500	0 <hex>	
		DATA_UPDTAB SPB8N500	12000001 <hex>	
		DATA_UPDTAB SPB8N500	43E <hex>	
		DATA_UPDTAB SPB8N500	12000002 <hex>	
		DATA_UPDTAB SPB8N500	1 <hex>	
		DATA_UPDTAB SPB8N500	400000F1 <hex>	
		DATA_UPDTAB SPB8N500	12000000 <hex>	
		DATA_UPDTAB SPB8N500	1 <hex>	
		DATA_UPDTAB SPB8N500	12000001 <hex>	
		DATA_UPDTAB SPB8N500	1C1 <hex>	
		TC Control Flags :		
			GBM IL DSE	

		Subsch. ID : 370		
		Det. descr. : UPDATE CONTENTS OF A TABLE		
		UPDATE_TABLE	UPDATE_TABLE	SCB02500
	ET=+00.00.01 UT=+00.00.01	Command Parameter(s) :		
		TABLEID_UPDTAB SPB5N500	64 <hex>	
		INDEX_UPDTAB SPB6N500	16E <hex>	
		N_UPDTAB SPB7N500	38 <dec>	
		DATA_UPDTAB SPB8N500	12000002 <hex>	
		DATA_UPDTAB SPB8N500	0 <hex>	
		DATA_UPDTAB SPB8N500	400000F1 <hex>	
		DATA_UPDTAB SPB8N500	12000000 <hex>	
		DATA_UPDTAB SPB8N500	1 <hex>	
		DATA_UPDTAB SPB8N500	12000001 <hex>	
		DATA_UPDTAB SPB8N500	1C3 <hex>	
		DATA_UPDTAB SPB8N500	2002002C <hex>	
		DATA_UPDTAB SPB8N500	400000F1 <hex>	
		DATA_UPDTAB SPB8N500	32170008 <hex>	
		DATA_UPDTAB SPB8N500	12000000 <hex>	
		DATA_UPDTAB SPB8N500	1 <hex>	
		DATA_UPDTAB SPB8N500	12000001 <hex>	
		DATA_UPDTAB SPB8N500	1C1 <hex>	
		DATA_UPDTAB SPB8N500	12000002 <hex>	
		DATA_UPDTAB SPB8N500	1 <hex>	
		DATA_UPDTAB SPB8N500	400000F1 <hex>	
		DATA_UPDTAB SPB8N500	20010015 <hex>	
		DATA_UPDTAB SPB8N500	20020016 <hex>	
		DATA_UPDTAB SPB8N500	12000000 <hex>	
		DATA_UPDTAB SPB8N500	0 <hex>	
		DATA_UPDTAB SPB8N500	80007D0 <hex>	
		DATA_UPDTAB SPB8N500	1000000 <hex>	

SPIRE ON, DPU_START - Switch ON the redundant SPIRE units
 File: H_COP_SPI_RSON.xls
 Author: L.Lucas-hp



Step No.	Time	Activity/Remarks	TC/TLM	Display/ Branch
		DATA_UPDTAB SPB8N500	80007D0 <hex>	
		DATA_UPDTAB SPB8N500	41000000 <hex>	
		DATA_UPDTAB SPB8N500	40000104 <hex>	
		DATA_UPDTAB SPB8N500	20140004 <hex>	
		DATA_UPDTAB SPB8N500	20170007 <hex>	
		DATA_UPDTAB SPB8N500	14000017 <hex>	
		DATA_UPDTAB SPB8N500	FFFF <hex>	
		DATA_UPDTAB SPB8N500	80007D0 <hex>	
		DATA_UPDTAB SPB8N500	1000001 <hex>	
		DATA_UPDTAB SPB8N500	12000003 <hex>	
		DATA_UPDTAB SPB8N500	7D0 <hex>	
		DATA_UPDTAB SPB8N500	9000003 <hex>	
		DATA_UPDTAB SPB8N500	12000000 <hex>	
		DATA_UPDTAB SPB8N500	1 <hex>	
		DATA_UPDTAB SPB8N500	12000001 <hex>	
		TC Control Flags :		
			GBM IL DSE	

		Subsch. ID : 370		
		Det. descr. : UPDATE CONTENTS OF A TABLE		
		UPDATE_TABLE	UPDATE_TABLE	SCB02500
	ET=+00.00.01 UT=+00.00.01	Command Parameter(s) :		
		TABLEID_UPDTAB SPB5N500	64 <hex>	
		INDEX_UPDTAB SPB6N500	194 <hex>	
		N_UPDTAB SPB7N500	38 <dec>	
		DATA_UPDTAB SPB8N500	C3 <hex>	
		DATA_UPDTAB SPB8N500	20020028 <hex>	
		DATA_UPDTAB SPB8N500	400000F1 <hex>	
		DATA_UPDTAB SPB8N500	12000000 <hex>	
		DATA_UPDTAB SPB8N500	1 <hex>	
		DATA_UPDTAB SPB8N500	12000001 <hex>	
		DATA_UPDTAB SPB8N500	143 <hex>	
		DATA_UPDTAB SPB8N500	20020029 <hex>	
		DATA_UPDTAB SPB8N500	400000F1 <hex>	
		DATA_UPDTAB SPB8N500	12000000 <hex>	
		DATA_UPDTAB SPB8N500	1 <hex>	
		DATA_UPDTAB SPB8N500	12000001 <hex>	
		DATA_UPDTAB SPB8N500	C6 <hex>	
		DATA_UPDTAB SPB8N500	12000002 <hex>	
		DATA_UPDTAB SPB8N500	1 <hex>	
		DATA_UPDTAB SPB8N500	400000F1 <hex>	
		DATA_UPDTAB SPB8N500	32170002 <hex>	
		DATA_UPDTAB SPB8N500	30000015 <hex>	
		DATA_UPDTAB SPB8N500	12000000 <hex>	
		DATA_UPDTAB SPB8N500	1 <hex>	
		DATA_UPDTAB SPB8N500	12000001 <hex>	
		DATA_UPDTAB SPB8N500	1C1 <hex>	
		DATA_UPDTAB SPB8N500	12000002 <hex>	

SPIRE ON, DPU_START - Switch ON the redundant SPIRE units
 File: H_COP_SPI_RSON.xls
 Author: L.Lucas-hp



Step No.	Time	Activity/Remarks	TC/TLM	Display/ Branch
		DATA_UPDTAB SPB8N500	0 <hex>	
		DATA_UPDTAB SPB8N500	400000F1 <hex>	
		DATA_UPDTAB SPB8N500	12000000 <hex>	
		DATA_UPDTAB SPB8N500	1 <hex>	
		DATA_UPDTAB SPB8N500	12000001 <hex>	
		DATA_UPDTAB SPB8N500	1C3 <hex>	
		DATA_UPDTAB SPB8N500	2002002F <hex>	
		DATA_UPDTAB SPB8N500	400000F1 <hex>	
		DATA_UPDTAB SPB8N500	12000000 <hex>	
		DATA_UPDTAB SPB8N500	1 <hex>	
		DATA_UPDTAB SPB8N500	12000001 <hex>	
		DATA_UPDTAB SPB8N500	1C1 <hex>	
		DATA_UPDTAB SPB8N500	12000002 <hex>	
		DATA_UPDTAB SPB8N500	1 <hex>	
		DATA_UPDTAB SPB8N500	400000F1 <hex>	
		TC Control Flags :		
			GBM IL DSE	

		Subsch. ID : 370		
		Det. descr. : UPDATE CONTENTS OF A TABLE		
		UPDATE_TABLE	UPDATE_TABLE	SCB02500
	ET=+00.00.01 UT=+00.00.01	Command Parameter(s) :		
		TABLEID_UPDTAB SPB5N500	64 <hex>	
		INDEX_UPDTAB SPB6N500	1BA <hex>	
		N_UPDTAB SPB7N500	38 <dec>	
		DATA_UPDTAB SPB8N500	9000005 <hex>	
		DATA_UPDTAB SPB8N500	1000000 <hex>	
		DATA_UPDTAB SPB8N500	80007D0 <hex>	
		DATA_UPDTAB SPB8N500	1000001 <hex>	
		DATA_UPDTAB SPB8N500	80007D0 <hex>	
		DATA_UPDTAB SPB8N500	32080002 <hex>	
		DATA_UPDTAB SPB8N500	3000000F <hex>	
		DATA_UPDTAB SPB8N500	12000000 <hex>	
		DATA_UPDTAB SPB8N500	0 <hex>	
		DATA_UPDTAB SPB8N500	12000001 <hex>	
		DATA_UPDTAB SPB8N500	43E <hex>	
		DATA_UPDTAB SPB8N500	12000002 <hex>	
		DATA_UPDTAB SPB8N500	0 <hex>	
		DATA_UPDTAB SPB8N500	400000F1 <hex>	
		DATA_UPDTAB SPB8N500	12000000 <hex>	
		DATA_UPDTAB SPB8N500	0 <hex>	
		DATA_UPDTAB SPB8N500	12000001 <hex>	
		DATA_UPDTAB SPB8N500	43E <hex>	
		DATA_UPDTAB SPB8N500	12000002 <hex>	
		DATA_UPDTAB SPB8N500	1 <hex>	
		DATA_UPDTAB SPB8N500	400000F1 <hex>	
		DATA_UPDTAB SPB8N500	9000006 <hex>	
		DATA_UPDTAB SPB8N500	1000000 <hex>	

SPIRE ON, DPU_START - Switch ON the redundant SPIRE units
 File: H_COP_SPI_RSON.xls
 Author: L.Lucas-hp



Step No.	Time	Activity/Remarks	TC/TLM	Display/ Branch
		DATA_UPDTAB SPB8N500	80007D0 <hex>	
		DATA_UPDTAB SPB8N500	1000001 <hex>	
		DATA_UPDTAB SPB8N500	9000003 <hex>	
		DATA_UPDTAB SPB8N500	12000000 <hex>	
		DATA_UPDTAB SPB8N500	1 <hex>	
		DATA_UPDTAB SPB8N500	12000001 <hex>	
		DATA_UPDTAB SPB8N500	C3 <hex>	
		DATA_UPDTAB SPB8N500	2002002A <hex>	
		DATA_UPDTAB SPB8N500	400000F1 <hex>	
		DATA_UPDTAB SPB8N500	12000000 <hex>	
		DATA_UPDTAB SPB8N500	1 <hex>	
		DATA_UPDTAB SPB8N500	12000001 <hex>	
		DATA_UPDTAB SPB8N500	143 <hex>	
		DATA_UPDTAB SPB8N500	2002002B <hex>	
		DATA_UPDTAB SPB8N500	400000F1 <hex>	
		TC Control Flags :		
			GBM IL DSE	

		Subsch. ID : 370		
		Det. descr. : UPDATE CONTENTS OF A TABLE		
		UPDATE_TABLE	UPDATE_TABLE	SCB02500
	ET=+00.00.01 UT=+00.00.01	Command Parameter(s) :		
		TABLEID_UPDTAB SPB5N500	64 <hex>	
		INDEX_UPDTAB SPB6N500	1E0 <hex>	
		N_UPDTAB SPB7N500	38 <dec>	
		DATA_UPDTAB SPB8N500	12000000 <hex>	
		DATA_UPDTAB SPB8N500	1 <hex>	
		DATA_UPDTAB SPB8N500	12000001 <hex>	
		DATA_UPDTAB SPB8N500	C6 <hex>	
		DATA_UPDTAB SPB8N500	12000002 <hex>	
		DATA_UPDTAB SPB8N500	1 <hex>	
		DATA_UPDTAB SPB8N500	400000F1 <hex>	
		DATA_UPDTAB SPB8N500	32170002 <hex>	
		DATA_UPDTAB SPB8N500	30000015 <hex>	
		DATA_UPDTAB SPB8N500	12000000 <hex>	
		DATA_UPDTAB SPB8N500	1 <hex>	
		DATA_UPDTAB SPB8N500	12000001 <hex>	
		DATA_UPDTAB SPB8N500	1C1 <hex>	
		DATA_UPDTAB SPB8N500	12000002 <hex>	
		DATA_UPDTAB SPB8N500	0 <hex>	
		DATA_UPDTAB SPB8N500	400000F1 <hex>	
		DATA_UPDTAB SPB8N500	12000000 <hex>	
		DATA_UPDTAB SPB8N500	1 <hex>	
		DATA_UPDTAB SPB8N500	12000001 <hex>	
		DATA_UPDTAB SPB8N500	1C3 <hex>	
		DATA_UPDTAB SPB8N500	2002002F <hex>	
		DATA_UPDTAB SPB8N500	400000F1 <hex>	
		DATA_UPDTAB SPB8N500	12000000 <hex>	

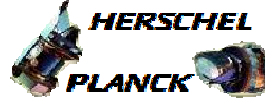
SPIRE ON, DPU_START - Switch ON the redundant SPIRE units
 File: H_COP_SPI_RSON.xls
 Author: L.Lucas-hp



Step No.	Time	Activity/Remarks	TC/TLM	Display/ Branch
		DATA_UPDTAB SPB8N500	1 <hex>	
		DATA_UPDTAB SPB8N500	12000001 <hex>	
		DATA_UPDTAB SPB8N500	1C1 <hex>	
		DATA_UPDTAB SPB8N500	12000002 <hex>	
		DATA_UPDTAB SPB8N500	1 <hex>	
		DATA_UPDTAB SPB8N500	400000F1 <hex>	
		DATA_UPDTAB SPB8N500	9000005 <hex>	
		DATA_UPDTAB SPB8N500	1000000 <hex>	
		DATA_UPDTAB SPB8N500	80007D0 <hex>	
		DATA_UPDTAB SPB8N500	1000001 <hex>	
		DATA_UPDTAB SPB8N500	80007D0 <hex>	
		DATA_UPDTAB SPB8N500	32080002 <hex>	
		DATA_UPDTAB SPB8N500	3000000F <hex>	
		DATA_UPDTAB SPB8N500	12000000 <hex>	
		DATA_UPDTAB SPB8N500	0 <hex>	
		TC Control Flags :		
			GBM IL DSE	

		Subsch. ID : 370		
		Det. descr. : UPDATE CONTENTS OF A TABLE		
		UPDATE_TABLE	UPDATE_TABLE	SCB02500
	ET=+00.00.01 UT=+00.00.01	Command Parameter(s) :		
		TABLEID_UPDTAB SPB5N500	64 <hex>	
		INDEX_UPDTAB SPB6N500	206 <hex>	
		N_UPDTAB SPB7N500	38 <dec>	
		DATA_UPDTAB SPB8N500	12000001 <hex>	
		DATA_UPDTAB SPB8N500	43E <hex>	
		DATA_UPDTAB SPB8N500	12000002 <hex>	
		DATA_UPDTAB SPB8N500	0 <hex>	
		DATA_UPDTAB SPB8N500	400000F1 <hex>	
		DATA_UPDTAB SPB8N500	12000000 <hex>	
		DATA_UPDTAB SPB8N500	0 <hex>	
		DATA_UPDTAB SPB8N500	12000001 <hex>	
		DATA_UPDTAB SPB8N500	43E <hex>	
		DATA_UPDTAB SPB8N500	12000002 <hex>	
		DATA_UPDTAB SPB8N500	1 <hex>	
		DATA_UPDTAB SPB8N500	400000F1 <hex>	
		DATA_UPDTAB SPB8N500	9000006 <hex>	
		DATA_UPDTAB SPB8N500	1000000 <hex>	
		DATA_UPDTAB SPB8N500	80007D0 <hex>	
		DATA_UPDTAB SPB8N500	1000001 <hex>	
		DATA_UPDTAB SPB8N500	9000003 <hex>	
		DATA_UPDTAB SPB8N500	11000014 <hex>	
		DATA_UPDTAB SPB8N500	3214FF79 <hex>	
		DATA_UPDTAB SPB8N500	32080002 <hex>	
		DATA_UPDTAB SPB8N500	30000008 <hex>	
		DATA_UPDTAB SPB8N500	12000000 <hex>	
		DATA_UPDTAB SPB8N500	0 <hex>	

SPIRE ON, DPU_START - Switch ON the redundant SPIRE units
 File: H_COP_SPI_RSON.xls
 Author: L.Lucas-hp



Step No.	Time	Activity/Remarks	TC/TLM	Display/ Branch
		DATA_UPDTAB SPB8N500	12000001 <hex>	
		DATA_UPDTAB SPB8N500	43E <hex>	
		DATA_UPDTAB SPB8N500	12000002 <hex>	
		DATA_UPDTAB SPB8N500	0 <hex>	
		DATA_UPDTAB SPB8N500	400000F1 <hex>	
		DATA_UPDTAB SPB8N500	32170002 <hex>	
		DATA_UPDTAB SPB8N500	30000008 <hex>	
		DATA_UPDTAB SPB8N500	12000000 <hex>	
		DATA_UPDTAB SPB8N500	1 <hex>	
		DATA_UPDTAB SPB8N500	12000001 <hex>	
		DATA_UPDTAB SPB8N500	1C1 <hex>	
		DATA_UPDTAB SPB8N500	12000002 <hex>	
		DATA_UPDTAB SPB8N500	0 <hex>	
		DATA_UPDTAB SPB8N500	400000F1 <hex>	
		DATA_UPDTAB SPB8N500	12000000 <hex>	
		TC Control Flags :		
			GBM IL DSE	

		Subsch. ID : 370		
		Det. descr. : UPDATE CONTENTS OF A TABLE		
		UPDATE_TABLE	UPDATE_TABLE	SCB02500
	ET+=00.00.01 UT+=00.00.01	Command Parameter(s) :		
		TABLEID_UPDTAB SPB5N500	64 <hex>	
		INDEX_UPDTAB SPB6N500	22C <hex>	
		N_UPDTAB SPB7N500	38 <dec>	
		DATA_UPDTAB SPB8N500	1 <hex>	
		DATA_UPDTAB SPB8N500	12000001 <hex>	
		DATA_UPDTAB SPB8N500	C3 <hex>	
		DATA_UPDTAB SPB8N500	20020028 <hex>	
		DATA_UPDTAB SPB8N500	400000F1 <hex>	
		DATA_UPDTAB SPB8N500	12000000 <hex>	
		DATA_UPDTAB SPB8N500	1 <hex>	
		DATA_UPDTAB SPB8N500	12000001 <hex>	
		DATA_UPDTAB SPB8N500	C6 <hex>	
		DATA_UPDTAB SPB8N500	12000002 <hex>	
		DATA_UPDTAB SPB8N500	1 <hex>	
		DATA_UPDTAB SPB8N500	400000F1 <hex>	
		DATA_UPDTAB SPB8N500	12000000 <hex>	
		DATA_UPDTAB SPB8N500	0 <hex>	
		DATA_UPDTAB SPB8N500	80007D0 <hex>	
		DATA_UPDTAB SPB8N500	1000000 <hex>	

SPIRE ON, DPU_START - Switch ON the redundant SPIRE units
 File: H_COP_SPI_RSON.xls
 Author: L.Lucas-hp



Step No.	Time	Activity/Remarks	TC/TLM	Display/ Branch
		DATA_UPDTAB SPB8N500	80007D0 <hex>	
		DATA_UPDTAB SPB8N500	41000000 <hex>	
		DATA_UPDTAB SPB8N500	22140706 <hex>	
		DATA_UPDTAB SPB8N500	23141402 <hex>	
		DATA_UPDTAB SPB8N500	22150006 <hex>	
		DATA_UPDTAB SPB8N500	23151505 <hex>	
		DATA_UPDTAB SPB8N500	23151503 <hex>	
		DATA_UPDTAB SPB8N500	21160707 <hex>	
		DATA_UPDTAB SPB8N500	22161606 <hex>	
		DATA_UPDTAB SPB8N500	22161608 <hex>	
		DATA_UPDTAB SPB8N500	23161604 <hex>	
		DATA_UPDTAB SPB8N500	24161605 <hex>	
		DATA_UPDTAB SPB8N500	20170014 <hex>	
		DATA_UPDTAB SPB8N500	21171715 <hex>	
		DATA_UPDTAB SPB8N500	21171716 <hex>	
		TC Control Flags :		
			GBM IL DSE	
			--- -- ---	
		Subsch. ID : 370		
		Det. descr. : UPDATE CONTENTS OF A TABLE		
	ET+=00.00.01 UT+=00.00.01	UPDATE_TABLE	UPDATE_TABLE	SCB02500
		Command Parameter(s) :		
		TABLEID_UPDTAB SPB5N500	64 <hex>	
		INDEX_UPDTAB SPB6N500	252 <hex>	
		N_UPDTAB SPB7N500	14 <dec>	
		DATA_UPDTAB SPB8N500	1A170010 <hex>	
		DATA_UPDTAB SPB8N500	21010117 <hex>	
		DATA_UPDTAB SPB8N500	12000017 <hex>	
		DATA_UPDTAB SPB8N500	0 <hex>	
		DATA_UPDTAB SPB8N500	34010017 <hex>	
		DATA_UPDTAB SPB8N500	20010017 <hex>	
		DATA_UPDTAB SPB8N500	12000017 <hex>	
		DATA_UPDTAB SPB8N500	FFFF <hex>	
		DATA_UPDTAB SPB8N500	35010017 <hex>	
		DATA_UPDTAB SPB8N500	20010017 <hex>	
		DATA_UPDTAB SPB8N500	12000000 <hex>	
		DATA_UPDTAB SPB8N500	0 <hex>	
		DATA_UPDTAB SPB8N500	41000000 <hex>	
		DATA_UPDTAB SPB8N500	7F000000 <hex>	
		TC Control Flags :		
			GBM IL DSE	
			--- -- ---	
		Subsch. ID : 370		
		Det. descr. : UPDATE CONTENTS OF A TABLE		

SPIRE ON, DPU_START - Switch ON the redundant SPIRE units
 File: H_COP_SPI_RSON.xls
 Author: L.Lucas-hp



Step No.	Time	Activity/Remarks	TC/TLM	Display/ Branch
		DATA_UPDTAB SPB8N500	7000 <hex>	
		DATA_UPDTAB SPB8N500	63FD000A <hex>	
		DATA_UPDTAB SPB8N500	2000000 <hex>	
		DATA_UPDTAB SPB8N500	12000000 <hex>	
		DATA_UPDTAB SPB8N500	0 <hex>	
		DATA_UPDTAB SPB8N500	12000001 <hex>	
		DATA_UPDTAB SPB8N500	C13 <hex>	
		DATA_UPDTAB SPB8N500	40000179 <hex>	
		DATA_UPDTAB SPB8N500	18000000 <hex>	
		DATA_UPDTAB SPB8N500	3F <hex>	
		DATA_UPDTAB SPB8N500	41300 <hex>	
		DATA_UPDTAB SPB8N500	84140000 <hex>	
		DATA_UPDTAB SPB8N500	84120000 <hex>	
		DATA_UPDTAB SPB8N500	84050000 <hex>	
		DATA_UPDTAB SPB8N500	84060000 <hex>	
		TC Control Flags :		
			GBM IL DSE	

		Subsch. ID : 370		
		Det. descr. : UPDATE CONTENTS OF A TABLE		
		UPDATE_TABLE	UPDATE_TABLE	SCB02500
	ET=+00.00.01 UT=+00.00.01	Command Parameter(s) :		
		TABLEID_UPDTAB SPB5N500	66 <hex>	
		INDEX_UPDTAB SPB6N500	B0 <hex>	
		N_UPDTAB SPB7N500	38 <dec>	
		DATA_UPDTAB SPB8N500	84070000 <hex>	
		DATA_UPDTAB SPB8N500	84080000 <hex>	
		DATA_UPDTAB SPB8N500	84090000 <hex>	
		DATA_UPDTAB SPB8N500	840A0000 <hex>	
		DATA_UPDTAB SPB8N500	18000000 <hex>	
		DATA_UPDTAB SPB8N500	30 <hex>	
		DATA_UPDTAB SPB8N500	41300 <hex>	
		DATA_UPDTAB SPB8N500	840B0000 <hex>	
		DATA_UPDTAB SPB8N500	840C0000 <hex>	
		DATA_UPDTAB SPB8N500	840D0000 <hex>	
		DATA_UPDTAB SPB8N500	840E0000 <hex>	
		DATA_UPDTAB SPB8N500	84130000 <hex>	
		DATA_UPDTAB SPB8N500	840F0000 <hex>	
		DATA_UPDTAB SPB8N500	84100000 <hex>	
		DATA_UPDTAB SPB8N500	841A0000 <hex>	
		DATA_UPDTAB SPB8N500	841B0000 <hex>	
		DATA_UPDTAB SPB8N500	841C0000 <hex>	
		DATA_UPDTAB SPB8N500	841D0000 <hex>	
		DATA_UPDTAB SPB8N500	84010000 <hex>	
		DATA_UPDTAB SPB8N500	84020000 <hex>	
		DATA_UPDTAB SPB8N500	84030000 <hex>	
		DATA_UPDTAB SPB8N500	84040000 <hex>	
		DATA_UPDTAB SPB8N500	12000000 <hex>	

SPIRE ON, DPU_START - Switch ON the redundant SPIRE units
 File: H_COP_SPI_RSON.xls
 Author: L.Lucas-hp



Step No.	Time	Activity/Remarks	TC/TLM	Display/ Branch
		DATA_UPDTAB SPB8N500	2 <hex>	
		DATA_UPDTAB SPB8N500	12000001 <hex>	
		DATA_UPDTAB SPB8N500	887 <hex>	
		DATA_UPDTAB SPB8N500	40000179 <hex>	
		DATA_UPDTAB SPB8N500	18000000 <hex>	
		DATA_UPDTAB SPB8N500	6 <hex>	
		DATA_UPDTAB SPB8N500	208700 <hex>	
		DATA_UPDTAB SPB8N500	12000000 <hex>	
		DATA_UPDTAB SPB8N500	0 <hex>	
		DATA_UPDTAB SPB8N500	12000001 <hex>	
		DATA_UPDTAB SPB8N500	C37 <hex>	
		DATA_UPDTAB SPB8N500	40000179 <hex>	
		DATA_UPDTAB SPB8N500	18000000 <hex>	
		DATA_UPDTAB SPB8N500	1 <hex>	
		DATA_UPDTAB SPB8N500	43700 <hex>	
		TC Control Flags :		
			GBM IL DSE	

		Subsch. ID : 370		
		Det. descr. : UPDATE CONTENTS OF A TABLE		
		UPDATE_TABLE	UPDATE_TABLE	SCB02500
	ET=+00.00.01 UT=+00.00.01	Command Parameter(s) :		
		TABLEID_UPDTAB SPB5N500	66 <hex>	
		INDEX_UPDTAB SPB6N500	D6 <hex>	
		N_UPDTAB SPB7N500	38 <dec>	
		DATA_UPDTAB SPB8N500	84350000 <hex>	
		DATA_UPDTAB SPB8N500	84360000 <hex>	
		DATA_UPDTAB SPB8N500	84370000 <hex>	
		DATA_UPDTAB SPB8N500	84340000 <hex>	
		DATA_UPDTAB SPB8N500	843A0000 <hex>	
		DATA_UPDTAB SPB8N500	843B0000 <hex>	
		DATA_UPDTAB SPB8N500	84310000 <hex>	
		DATA_UPDTAB SPB8N500	84320000 <hex>	
		DATA_UPDTAB SPB8N500	12000000 <hex>	
		DATA_UPDTAB SPB8N500	2 <hex>	
		DATA_UPDTAB SPB8N500	12000001 <hex>	
		DATA_UPDTAB SPB8N500	887 <hex>	
		DATA_UPDTAB SPB8N500	40000179 <hex>	
		DATA_UPDTAB SPB8N500	18000000 <hex>	
		DATA_UPDTAB SPB8N500	4 <hex>	
		DATA_UPDTAB SPB8N500	208700 <hex>	
		DATA_UPDTAB SPB8N500	90490000 <hex>	
		DATA_UPDTAB SPB8N500	90440006 <hex>	
		DATA_UPDTAB SPB8N500	90400000 <hex>	
		DATA_UPDTAB SPB8N500	90410000 <hex>	
		DATA_UPDTAB SPB8N500	90C38000 <hex>	
		DATA_UPDTAB SPB8N500	91438000 <hex>	
		DATA_UPDTAB SPB8N500	90C20003 <hex>	

SPIRE ON, DPU_START - Switch ON the redundant SPIRE units
 File: H_COP_SPI_RSON.xls
 Author: L.Lucas-hp



Step No.	Time	Activity/Remarks	TC/TLM	Display/ Branch
		DATA_UPDTAB SPB8N500	91420003 <hex>	
		DATA_UPDTAB SPB8N500	90C00000 <hex>	
		DATA_UPDTAB SPB8N500	91400000 <hex>	
		DATA_UPDTAB SPB8N500	41000000 <hex>	
		DATA_UPDTAB SPB8N500	41000000 <hex>	
		DATA_UPDTAB SPB8N500	80007D0 <hex>	
		DATA_UPDTAB SPB8N500	2000000 <hex>	
		DATA_UPDTAB SPB8N500	40000098 <hex>	
		DATA_UPDTAB SPB8N500	A0870000 <hex>	
		DATA_UPDTAB SPB8N500	A0850000 <hex>	
		DATA_UPDTAB SPB8N500	A0860000 <hex>	
		DATA_UPDTAB SPB8N500	A0C40000 <hex>	
		DATA_UPDTAB SPB8N500	A0C50000 <hex>	
		DATA_UPDTAB SPB8N500	A0C60000 <hex>	
		DATA_UPDTAB SPB8N500	A0C70000 <hex>	
		TC Control Flags :		
			GBM IL DSE	

		Subsch. ID : 370		
		Det. descr. : UPDATE CONTENTS OF A TABLE		
		UPDATE_TABLE	UPDATE_TABLE	SCB02500
	ET=+00.00.01 UT=+00.00.01	Command Parameter(s) :		
		TABLEID_UPDTAB SPB5N500	66 <hex>	
		INDEX_UPDTAB SPB6N500	FC <hex>	
		N_UPDTAB SPB7N500	38 <dec>	
		DATA_UPDTAB SPB8N500	A0C80000 <hex>	
		DATA_UPDTAB SPB8N500	A0CA0000 <hex>	
		DATA_UPDTAB SPB8N500	A0CC0000 <hex>	
		DATA_UPDTAB SPB8N500	41000000 <hex>	
		DATA_UPDTAB SPB8N500	120000FD <hex>	
		DATA_UPDTAB SPB8N500	100 <hex>	
		DATA_UPDTAB SPB8N500	12000000 <hex>	
		DATA_UPDTAB SPB8N500	3 <hex>	
		DATA_UPDTAB SPB8N500	12000001 <hex>	
		DATA_UPDTAB SPB8N500	1900 <hex>	
		DATA_UPDTAB SPB8N500	12000002 <hex>	
		DATA_UPDTAB SPB8N500	301 <hex>	
		DATA_UPDTAB SPB8N500	12000003 <hex>	
		DATA_UPDTAB SPB8N500	0 <hex>	
		DATA_UPDTAB SPB8N500	63FD000F <hex>	
		DATA_UPDTAB SPB8N500	41000000 <hex>	
		DATA_UPDTAB SPB8N500	120000FD <hex>	
		DATA_UPDTAB SPB8N500	100 <hex>	
		DATA_UPDTAB SPB8N500	63FD001E <hex>	
		DATA_UPDTAB SPB8N500	7F000000 <hex>	
		DATA_UPDTAB SPB8N500	120000FD <hex>	
		DATA_UPDTAB SPB8N500	100 <hex>	
		DATA_UPDTAB SPB8N500	120000FF <hex>	

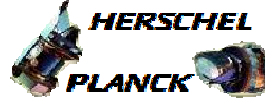
SPIRE ON, DPU_START - Switch ON the redundant SPIRE units
 File: H_COP_SPI_RSON.xls
 Author: L.Lucas-hp



Step No.	Time	Activity/Remarks	TC/TLM	Display/ Branch
		DATA_UPDTAB SPB8N500	0 <hex>	
		DATA_UPDTAB SPB8N500	12000000 <hex>	
		DATA_UPDTAB SPB8N500	122 <hex>	
		DATA_UPDTAB SPB8N500	61060001 <hex>	
		DATA_UPDTAB SPB8N500	12000000 <hex>	
		DATA_UPDTAB SPB8N500	3 <hex>	
		DATA_UPDTAB SPB8N500	12000001 <hex>	
		DATA_UPDTAB SPB8N500	1900 <hex>	
		DATA_UPDTAB SPB8N500	12000002 <hex>	
		DATA_UPDTAB SPB8N500	301 <hex>	
		DATA_UPDTAB SPB8N500	12000003 <hex>	
		DATA_UPDTAB SPB8N500	1 <hex>	
		DATA_UPDTAB SPB8N500	63FD000F <hex>	
		DATA_UPDTAB SPB8N500	4000014B <hex>	
		DATA_UPDTAB SPB8N500	7F000000 <hex>	
		TC Control Flags :		
			GBM IL DSE	

		Subsch. ID : 370		
		Det. descr. : UPDATE CONTENTS OF A TABLE		
		UPDATE_TABLE	UPDATE_TABLE	SCB02500
	ET=+00.00.01 UT=+00.00.01	Command Parameter(s) :		
		TABLEID_UPDTAB SPB5N500	66 <hex>	
		INDEX_UPDTAB SPB6N500	122 <hex>	
		N_UPDTAB SPB7N500	38 <dec>	
		DATA_UPDTAB SPB8N500	0 <hex>	
		DATA_UPDTAB SPB8N500	120000FD <hex>	
		DATA_UPDTAB SPB8N500	100 <hex>	
		DATA_UPDTAB SPB8N500	63FD000E <hex>	
		DATA_UPDTAB SPB8N500	7F000000 <hex>	
		DATA_UPDTAB SPB8N500	12000001 <hex>	
		DATA_UPDTAB SPB8N500	171 <hex>	
		DATA_UPDTAB SPB8N500	20020000 <hex>	
		DATA_UPDTAB SPB8N500	18000002 <hex>	
		DATA_UPDTAB SPB8N500	6 <hex>	
		DATA_UPDTAB SPB8N500	34000002 <hex>	
		DATA_UPDTAB SPB8N500	30000007 <hex>	
		DATA_UPDTAB SPB8N500	120000FF <hex>	
		DATA_UPDTAB SPB8N500	8 <hex>	
		DATA_UPDTAB SPB8N500	61060102 <hex>	
		DATA_UPDTAB SPB8N500	120000FF <hex>	
		DATA_UPDTAB SPB8N500	D <hex>	
		DATA_UPDTAB SPB8N500	61060103 <hex>	
		DATA_UPDTAB SPB8N500	20020000 <hex>	
		DATA_UPDTAB SPB8N500	18000002 <hex>	
		DATA_UPDTAB SPB8N500	5 <hex>	
		DATA_UPDTAB SPB8N500	34000002 <hex>	
		DATA_UPDTAB SPB8N500	30000007 <hex>	

SPIRE ON, DPU_START - Switch ON the redundant SPIRE units
 File: H_COP_SPI_RSON.xls
 Author: L.Lucas-hp



Step No.	Time	Activity/Remarks	TC/TLM	Display/ Branch
		DATA_UPDTAB SPB8N500	120000FF <hex>	
		DATA_UPDTAB SPB8N500	10 <hex>	
		DATA_UPDTAB SPB8N500	61060102 <hex>	
		DATA_UPDTAB SPB8N500	120000FF <hex>	
		DATA_UPDTAB SPB8N500	15 <hex>	
		DATA_UPDTAB SPB8N500	61060103 <hex>	
		DATA_UPDTAB SPB8N500	20020000 <hex>	
		DATA_UPDTAB SPB8N500	18000002 <hex>	
		DATA_UPDTAB SPB8N500	3 <hex>	
		DATA_UPDTAB SPB8N500	34000002 <hex>	
		DATA_UPDTAB SPB8N500	30000007 <hex>	
		DATA_UPDTAB SPB8N500	120000FF <hex>	
		DATA_UPDTAB SPB8N500	18 <hex>	
		DATA_UPDTAB SPB8N500	61060102 <hex>	
		DATA_UPDTAB SPB8N500	120000FF <hex>	
		TC Control Flags :		
			GBM IL DSE	

		Subsch. ID : 370		
		Det. descr. : UPDATE CONTENTS OF A TABLE		
		UPDATE_TABLE	UPDATE_TABLE	SCB02500
	ET+=00.00.01 UT+=00.00.01	Command Parameter(s) :		
		TABLEID_UPDTAB SPB5N500	66 <hex>	
		INDEX_UPDTAB SPB6N500	148 <hex>	
		N_UPDTAB SPB7N500	38 <dec>	
		DATA_UPDTAB SPB8N500	1D <hex>	
		DATA_UPDTAB SPB8N500	61060103 <hex>	
		DATA_UPDTAB SPB8N500	41000000 <hex>	
		DATA_UPDTAB SPB8N500	12000001 <hex>	
		DATA_UPDTAB SPB8N500	174 <hex>	
		DATA_UPDTAB SPB8N500	12000002 <hex>	
		DATA_UPDTAB SPB8N500	176 <hex>	
		DATA_UPDTAB SPB8N500	20030000 <hex>	
		DATA_UPDTAB SPB8N500	18000003 <hex>	
		DATA_UPDTAB SPB8N500	6 <hex>	
		DATA_UPDTAB SPB8N500	34000003 <hex>	
		DATA_UPDTAB SPB8N500	30000007 <hex>	
		DATA_UPDTAB SPB8N500	120000FF <hex>	
		DATA_UPDTAB SPB8N500	8 <hex>	
		DATA_UPDTAB SPB8N500	61060102 <hex>	
		DATA_UPDTAB SPB8N500	120000FF <hex>	
		DATA_UPDTAB SPB8N500	D <hex>	
		DATA_UPDTAB SPB8N500	61060203 <hex>	
		DATA_UPDTAB SPB8N500	20030000 <hex>	
		DATA_UPDTAB SPB8N500	18000003 <hex>	
		DATA_UPDTAB SPB8N500	5 <hex>	
		DATA_UPDTAB SPB8N500	34000003 <hex>	
		DATA_UPDTAB SPB8N500	30000007 <hex>	

SPIRE ON, DPU_START - Switch ON the redundant SPIRE units
 File: H_COP_SPI_RSON.xls
 Author: L.Lucas-hp



Step No.	Time	Activity/Remarks	TC/TLM	Display/ Branch
		DATA_UPDTAB SPB8N500	120000FF <hex>	
		DATA_UPDTAB SPB8N500	10 <hex>	
		DATA_UPDTAB SPB8N500	61060102 <hex>	
		DATA_UPDTAB SPB8N500	120000FF <hex>	
		DATA_UPDTAB SPB8N500	15 <hex>	
		DATA_UPDTAB SPB8N500	61060203 <hex>	
		DATA_UPDTAB SPB8N500	20030000 <hex>	
		DATA_UPDTAB SPB8N500	18000003 <hex>	
		DATA_UPDTAB SPB8N500	3 <hex>	
		DATA_UPDTAB SPB8N500	34000003 <hex>	
		DATA_UPDTAB SPB8N500	30000007 <hex>	
		DATA_UPDTAB SPB8N500	120000FF <hex>	
		DATA_UPDTAB SPB8N500	18 <hex>	
		DATA_UPDTAB SPB8N500	61060102 <hex>	
		DATA_UPDTAB SPB8N500	120000FF <hex>	
		TC Control Flags :		
			GBM IL DSE	

		Subsch. ID : 370		
		Det. descr. : UPDATE CONTENTS OF A TABLE		
		UPDATE_TABLE	UPDATE_TABLE	SCB02500
	ET=+00.00.01 UT=+00.00.01	Command Parameter(s) :		
		TABLEID_UPDTAB SPB5N500	66 <hex>	
		INDEX_UPDTAB SPB6N500	16E <hex>	
		N_UPDTAB SPB7N500	35 <dec>	
		DATA_UPDTAB SPB8N500	1D <hex>	
		DATA_UPDTAB SPB8N500	61060203 <hex>	
		DATA_UPDTAB SPB8N500	41000000 <hex>	
		DATA_UPDTAB SPB8N500	FFFFFFFF <hex>	
		DATA_UPDTAB SPB8N500	FFFFFFFF <hex>	
		DATA_UPDTAB SPB8N500	FFFFFFFF <hex>	
		DATA_UPDTAB SPB8N500	3 <hex>	
		DATA_UPDTAB SPB8N500	3 <hex>	
		DATA_UPDTAB SPB8N500	FFFFFFFF <hex>	
		DATA_UPDTAB SPB8N500	FFFFFFFF <hex>	
		DATA_UPDTAB SPB8N500	FFFFFFFF <hex>	
		DATA_UPDTAB SPB8N500	18000000 <hex>	
		DATA_UPDTAB SPB8N500	F <hex>	
		DATA_UPDTAB SPB8N500	1B00001C <hex>	
		DATA_UPDTAB SPB8N500	18000000 <hex>	
		DATA_UPDTAB SPB8N500	F0000000 <hex>	
		DATA_UPDTAB SPB8N500	18000001 <hex>	
		DATA_UPDTAB SPB8N500	FFF <hex>	
		DATA_UPDTAB SPB8N500	1B010010 <hex>	
		DATA_UPDTAB SPB8N500	18000001 <hex>	
		DATA_UPDTAB SPB8N500	FFF00000 <hex>	
		DATA_UPDTAB SPB8N500	21000001 <hex>	
		DATA_UPDTAB SPB8N500	19000000 <hex>	

SPIRE ON, DPU_START - Switch ON the redundant SPIRE units
 File: H_COP_SPI_RSON.xls
 Author: L.Lucas-hp



Step No.	Time	Activity/Remarks	TC/TLM	Display/ Branch
	ET=+00.00.01 UT=+00.00.01	UPDATE_TABLE	SCB02500	
		UPDATE_TABLE		
		Command Parameter(s) :		
		TABLEID_UPDTAB SPB5N500	5 <hex>	
		INDEX_UPDTAB SPB6N500	214 <hex>	
		N_UPDTAB SPB7N500	38 <dec>	
		DATA_UPDTAB SPB8N500	C0000000 <hex>	
		DATA_UPDTAB SPB8N500	E0FF0000 <hex>	
		DATA_UPDTAB SPB8N500	C0000000 <hex>	
		DATA_UPDTAB SPB8N500	0 <hex>	
		DATA_UPDTAB SPB8N500	0 <hex>	
		DATA_UPDTAB SPB8N500	0 <hex>	
		DATA_UPDTAB SPB8N500	1 <hex>	
		DATA_UPDTAB SPB8N500	1 <hex>	
		DATA_UPDTAB SPB8N500	20 <hex>	
		DATA_UPDTAB SPB8N500	A8CF0000 <hex>	
		DATA_UPDTAB SPB8N500	C080FFFF <hex>	
		DATA_UPDTAB SPB8N500	6B23 <hex>	
		DATA_UPDTAB SPB8N500	69FC <hex>	
		DATA_UPDTAB SPB8N500	67AE <hex>	
		DATA_UPDTAB SPB8N500	6687 <hex>	
		DATA_UPDTAB SPB8N500	C0000000 <hex>	
		DATA_UPDTAB SPB8N500	C0000000 <hex>	
		DATA_UPDTAB SPB8N500	E0FF0000 <hex>	
		DATA_UPDTAB SPB8N500	C0000000 <hex>	
		DATA_UPDTAB SPB8N500	E0FF0000 <hex>	
		DATA_UPDTAB SPB8N500	C0000000 <hex>	
		DATA_UPDTAB SPB8N500	0 <hex>	
		DATA_UPDTAB SPB8N500	0 <hex>	
		DATA_UPDTAB SPB8N500	0 <hex>	
		DATA_UPDTAB SPB8N500	1 <hex>	
		DATA_UPDTAB SPB8N500	1 <hex>	
		DATA_UPDTAB SPB8N500	21 <hex>	
		DATA_UPDTAB SPB8N500	A8CE0000 <hex>	
		DATA_UPDTAB SPB8N500	C080FFFF <hex>	
		DATA_UPDTAB SPB8N500	FFFF9979 <hex>	
		DATA_UPDTAB SPB8N500	FFFF9852 <hex>	
		DATA_UPDTAB SPB8N500	FFFF9604 <hex>	
		DATA_UPDTAB SPB8N500	FFFF94DD <hex>	
		DATA_UPDTAB SPB8N500	C0000000 <hex>	
		DATA_UPDTAB SPB8N500	C0000000 <hex>	
		DATA_UPDTAB SPB8N500	E0FF0000 <hex>	
		DATA_UPDTAB SPB8N500	C0000000 <hex>	
		DATA_UPDTAB SPB8N500	E0FF0000 <hex>	
		TC Control Flags :		
			GBM IL DSE	

		Subsch. ID : 370		
		Det. descr. : UPDATE CONTENTS OF A TABLE		

SPIRE ON, DPU_START - Switch ON the redundant SPIRE units
 File: H_COP_SPI_RSON.xls
 Author: L.Lucas-hp



Step No.	Time	Activity/Remarks	TC/TLM	Display/ Branch
	ET=+00.00.01 UT=+00.00.01	UPDATE_TABLE	SCB02500	
		UPDATE_TABLE		
		Command Parameter(s) :		
		TABLEID_UPDTAB SPB8N500	5 <hex>	
		INDEX_UPDTAB SPB6N500	23A <hex>	
		N_UPDTAB SPB7N500	38 <dec>	
		DATA_UPDTAB SPB8N500	C0000000 <hex>	
		DATA_UPDTAB SPB8N500	0 <hex>	
		DATA_UPDTAB SPB8N500	0 <hex>	
		DATA_UPDTAB SPB8N500	0 <hex>	
		DATA_UPDTAB SPB8N500	1 <hex>	
		DATA_UPDTAB SPB8N500	1 <hex>	
		DATA_UPDTAB SPB8N500	22 <hex>	
		DATA_UPDTAB SPB8N500	A8D10000 <hex>	
		DATA_UPDTAB SPB8N500	C080FFFF <hex>	
		DATA_UPDTAB SPB8N500	4665 <hex>	
		DATA_UPDTAB SPB8N500	4332 <hex>	
		DATA_UPDTAB SPB8N500	3CCC <hex>	
		DATA_UPDTAB SPB8N500	3998 <hex>	
		DATA_UPDTAB SPB8N500	C0000000 <hex>	
		DATA_UPDTAB SPB8N500	C0000000 <hex>	
		DATA_UPDTAB SPB8N500	E0FF0000 <hex>	
		DATA_UPDTAB SPB8N500	C0000000 <hex>	
		DATA_UPDTAB SPB8N500	E0FF0000 <hex>	
		DATA_UPDTAB SPB8N500	C0000000 <hex>	
		DATA_UPDTAB SPB8N500	0 <hex>	
		DATA_UPDTAB SPB8N500	0 <hex>	
		DATA_UPDTAB SPB8N500	0 <hex>	
		DATA_UPDTAB SPB8N500	1 <hex>	
		DATA_UPDTAB SPB8N500	1 <hex>	
		DATA_UPDTAB SPB8N500	23 <hex>	
		DATA_UPDTAB SPB8N500	99E00000 <hex>	
		DATA_UPDTAB SPB8N500	C080FFFF <hex>	
		DATA_UPDTAB SPB8N500	FFFF9C5B <hex>	
		DATA_UPDTAB SPB8N500	FFFF9BAE <hex>	
		DATA_UPDTAB SPB8N500	FFFF9A55 <hex>	
		DATA_UPDTAB SPB8N500	FFFF99A9 <hex>	
		DATA_UPDTAB SPB8N500	C0000000 <hex>	
		DATA_UPDTAB SPB8N500	C0000000 <hex>	
		DATA_UPDTAB SPB8N500	E0FF0000 <hex>	
		DATA_UPDTAB SPB8N500	C0000000 <hex>	
		DATA_UPDTAB SPB8N500	E0FF0000 <hex>	
		DATA_UPDTAB SPB8N500	C0000000 <hex>	
		DATA_UPDTAB SPB8N500	0 <hex>	
		TC Control Flags :		
			GBM IL DSE	

		Subsch. ID : 370		
		Det. descr. : UPDATE CONTENTS OF A TABLE		

SPIRE ON, DPU_START - Switch ON the redundant SPIRE units
 File: H_COP_SPI_RSON.xls
 Author: L.Lucas-hp



Step No.	Time	Activity/Remarks	TC/TLM	Display/ Branch
	ET=+00.00.01 UT=+00.00.01	UPDATE_TABLE		
		UPDATE_TABLE	SCB02500	
		Command Parameter(s) :		
		TABLEID_UPDTAB SPB8N500	5 <hex>	
		INDEX_UPDTAB SPB6N500	260 <hex>	
		N_UPDTAB SPB7N500	38 <dec>	
		DATA_UPDTAB SPB8N500	0 <hex>	
		DATA_UPDTAB SPB8N500	0 <hex>	
		DATA_UPDTAB SPB8N500	1 <hex>	
		DATA_UPDTAB SPB8N500	2 <hex>	
		DATA_UPDTAB SPB8N500	24 <hex>	
		DATA_UPDTAB SPB8N500	99E30000 <hex>	
		DATA_UPDTAB SPB8N500	C080FFFF <hex>	
		DATA_UPDTAB SPB8N500	FFFF9B17 <hex>	
		DATA_UPDTAB SPB8N500	FFFF9AC0 <hex>	
		DATA_UPDTAB SPB8N500	FFFF9A12 <hex>	
		DATA_UPDTAB SPB8N500	FFFF99BB <hex>	
		DATA_UPDTAB SPB8N500	C0000000 <hex>	
		DATA_UPDTAB SPB8N500	C0000000 <hex>	
		DATA_UPDTAB SPB8N500	E0FF0000 <hex>	
		DATA_UPDTAB SPB8N500	C0000000 <hex>	
		DATA_UPDTAB SPB8N500	E0FF0000 <hex>	
		DATA_UPDTAB SPB8N500	C0000000 <hex>	
		DATA_UPDTAB SPB8N500	0 <hex>	
		DATA_UPDTAB SPB8N500	0 <hex>	
		DATA_UPDTAB SPB8N500	0 <hex>	
		DATA_UPDTAB SPB8N500	1 <hex>	
		DATA_UPDTAB SPB8N500	2 <hex>	
		DATA_UPDTAB SPB8N500	25 <hex>	
		DATA_UPDTAB SPB8N500	99E40000 <hex>	
		DATA_UPDTAB SPB8N500	C080FFFF <hex>	
		DATA_UPDTAB SPB8N500	6622 <hex>	
		DATA_UPDTAB SPB8N500	65CB <hex>	
		DATA_UPDTAB SPB8N500	651D <hex>	
		DATA_UPDTAB SPB8N500	64C6 <hex>	
		DATA_UPDTAB SPB8N500	C0000000 <hex>	
		DATA_UPDTAB SPB8N500	C0000000 <hex>	
		DATA_UPDTAB SPB8N500	E0FF0000 <hex>	
		DATA_UPDTAB SPB8N500	C0000000 <hex>	
		DATA_UPDTAB SPB8N500	E0FF0000 <hex>	
		DATA_UPDTAB SPB8N500	C0000000 <hex>	
		DATA_UPDTAB SPB8N500	0 <hex>	
		DATA_UPDTAB SPB8N500	0 <hex>	
		DATA_UPDTAB SPB8N500	0 <hex>	
		TC Control Flags :		
			GBM IL DSE	

		Subsch. ID : 370		
		Det. descr. : UPDATE CONTENTS OF A TABLE		

SPIRE ON, DPU_START - Switch ON the redundant SPIRE units
 File: H_COP_SPI_RSON.xls
 Author: L.Lucas-hp



Step No.	Time	Activity/Remarks	TC/TLM	Display/ Branch
	ET=+00.00.01 UT=+00.00.01	UPDATE_TABLE		
		UPDATE_TABLE	SCB02500	
		Command Parameter(s) :		
		TABLEID_UPDTAB SPB5N500	5 <hex>	
		INDEX_UPDTAB SPB6N500	286 <hex>	
		N_UPDTAB SPB7N500	38 <dec>	
		DATA_UPDTAB SPB8N500	1 <hex>	
		DATA_UPDTAB SPB8N500	2 <hex>	
		DATA_UPDTAB SPB8N500	26 <hex>	
		DATA_UPDTAB SPB8N500	99E10000 <hex>	
		DATA_UPDTAB SPB8N500	C080FFFF <hex>	
		DATA_UPDTAB SPB8N500	FFFF98B6 <hex>	
		DATA_UPDTAB SPB8N500	FFFF985F <hex>	
		DATA_UPDTAB SPB8N500	FFFF97B1 <hex>	
		DATA_UPDTAB SPB8N500	FFFF975A <hex>	
		DATA_UPDTAB SPB8N500	C0000000 <hex>	
		DATA_UPDTAB SPB8N500	C0000000 <hex>	
		DATA_UPDTAB SPB8N500	E0FF0000 <hex>	
		DATA_UPDTAB SPB8N500	C0000000 <hex>	
		DATA_UPDTAB SPB8N500	E0FF0000 <hex>	
		DATA_UPDTAB SPB8N500	C0000000 <hex>	
		DATA_UPDTAB SPB8N500	0 <hex>	
		DATA_UPDTAB SPB8N500	0 <hex>	
		DATA_UPDTAB SPB8N500	0 <hex>	
		DATA_UPDTAB SPB8N500	1 <hex>	
		DATA_UPDTAB SPB8N500	2 <hex>	
		DATA_UPDTAB SPB8N500	27 <hex>	
		DATA_UPDTAB SPB8N500	99E20000 <hex>	
		DATA_UPDTAB SPB8N500	C080FFFF <hex>	
		DATA_UPDTAB SPB8N500	6813 <hex>	
		DATA_UPDTAB SPB8N500	67C4 <hex>	
		DATA_UPDTAB SPB8N500	6716 <hex>	
		DATA_UPDTAB SPB8N500	66BF <hex>	
		DATA_UPDTAB SPB8N500	C0000000 <hex>	
		DATA_UPDTAB SPB8N500	C0000000 <hex>	
		DATA_UPDTAB SPB8N500	E0FF0000 <hex>	
		DATA_UPDTAB SPB8N500	C0000000 <hex>	
		DATA_UPDTAB SPB8N500	E0FF0000 <hex>	
		DATA_UPDTAB SPB8N500	C0000000 <hex>	
		DATA_UPDTAB SPB8N500	0 <hex>	
		DATA_UPDTAB SPB8N500	0 <hex>	
		DATA_UPDTAB SPB8N500	0 <hex>	
		DATA_UPDTAB SPB8N500	1 <hex>	
		DATA_UPDTAB SPB8N500	2 <hex>	
		TC Control Flags :		
			GBM IL DSE	

		Subsch. ID : 370		
		Det. descr. : UPDATE CONTENTS OF A TABLE		

SPIRE ON, DPU_START - Switch ON the redundant SPIRE units
 File: H_COP_SPI_RSON.xls
 Author: L.Lucas-hp



Step No.	Time	Activity/Remarks	TC/TLM	Display/ Branch
	ET=+00.00.01 UT=+00.00.01	UPDATE_TABLE		
		UPDATE_TABLE	SCB02500	
		Command Parameter(s) :		
		TABLEID_UPDTAB SPB8N500	5 <hex>	
		INDEX_UPDTAB SPB6N500	2AC <hex>	
		N_UPDTAB SPB7N500	38 <dec>	
		DATA_UPDTAB SPB8N500	28 <hex>	
		DATA_UPDTAB SPB8N500	8C3F000E <hex>	
		DATA_UPDTAB SPB8N500	C080FFFF <hex>	
		DATA_UPDTAB SPB8N500	FFFFAD40 <hex>	
		DATA_UPDTAB SPB8N500	FFFFAC66 <hex>	
		DATA_UPDTAB SPB8N500	FFFAAB1 <hex>	
		DATA_UPDTAB SPB8N500	FFFA9D6 <hex>	
		DATA_UPDTAB SPB8N500	C0000000 <hex>	
		DATA_UPDTAB SPB8N500	C0000000 <hex>	
		DATA_UPDTAB SPB8N500	E0FF0000 <hex>	
		DATA_UPDTAB SPB8N500	C0000000 <hex>	
		DATA_UPDTAB SPB8N500	E0FF0000 <hex>	
		DATA_UPDTAB SPB8N500	C0000000 <hex>	
		DATA_UPDTAB SPB8N500	0 <hex>	
		DATA_UPDTAB SPB8N500	0 <hex>	
		DATA_UPDTAB SPB8N500	0 <hex>	
		DATA_UPDTAB SPB8N500	1 <hex>	
		DATA_UPDTAB SPB8N500	1 <hex>	
		DATA_UPDTAB SPB8N500	29 <hex>	
		DATA_UPDTAB SPB8N500	8C3F000F <hex>	
		DATA_UPDTAB SPB8N500	C080FFFF <hex>	
		DATA_UPDTAB SPB8N500	FFFFCE89 <hex>	
		DATA_UPDTAB SPB8N500	FFFCDAF <hex>	
		DATA_UPDTAB SPB8N500	FFFCBFA <hex>	
		DATA_UPDTAB SPB8N500	FFFCB1F <hex>	
		DATA_UPDTAB SPB8N500	C0000000 <hex>	
		DATA_UPDTAB SPB8N500	C0000000 <hex>	
		DATA_UPDTAB SPB8N500	E0FF0000 <hex>	
		DATA_UPDTAB SPB8N500	C0000000 <hex>	
		DATA_UPDTAB SPB8N500	E0FF0000 <hex>	
		DATA_UPDTAB SPB8N500	C0000000 <hex>	
		DATA_UPDTAB SPB8N500	0 <hex>	
		DATA_UPDTAB SPB8N500	0 <hex>	
		DATA_UPDTAB SPB8N500	0 <hex>	
		DATA_UPDTAB SPB8N500	1 <hex>	
		DATA_UPDTAB SPB8N500	1 <hex>	
		DATA_UPDTAB SPB8N500	2A <hex>	
		DATA_UPDTAB SPB8N500	8C3F0010 <hex>	
		TC Control Flags :		
			GBM IL DSE	

		Subsch. ID : 370		
		Det. descr. : UPDATE CONTENTS OF A TABLE		

SPIRE ON, DPU_START - Switch ON the redundant SPIRE units
 File: H_COP_SPI_RSON.xls
 Author: L.Lucas-hp



Step No.	Time	Activity/Remarks	TC/TLM	Display/ Branch
	ET=+00.00.01 UT=+00.00.01	UPDATE_TABLE		
		UPDATE_TABLE	SCB02500	
		Command Parameter(s) :		
		TABLEID_UPDTAB SPB8N500	5 <hex>	
		INDEX_UPDTAB SPB6N500	2D2 <hex>	
		N_UPDTAB SPB7N500	38 <dec>	
		DATA_UPDTAB SPB8N500	C080FFFF <hex>	
		DATA_UPDTAB SPB8N500	34EA <hex>	
		DATA_UPDTAB SPB8N500	3410 <hex>	
		DATA_UPDTAB SPB8N500	325B <hex>	
		DATA_UPDTAB SPB8N500	3180 <hex>	
		DATA_UPDTAB SPB8N500	C0000000 <hex>	
		DATA_UPDTAB SPB8N500	C0000000 <hex>	
		DATA_UPDTAB SPB8N500	E0FF0000 <hex>	
		DATA_UPDTAB SPB8N500	C0000000 <hex>	
		DATA_UPDTAB SPB8N500	E0FF0000 <hex>	
		DATA_UPDTAB SPB8N500	C0000000 <hex>	
		DATA_UPDTAB SPB8N500	0 <hex>	
		DATA_UPDTAB SPB8N500	0 <hex>	
		DATA_UPDTAB SPB8N500	0 <hex>	
		DATA_UPDTAB SPB8N500	1 <hex>	
		DATA_UPDTAB SPB8N500	1 <hex>	
		DATA_UPDTAB SPB8N500	2B <hex>	
		DATA_UPDTAB SPB8N500	8C3F0011 <hex>	
		DATA_UPDTAB SPB8N500	C080FFFF <hex>	
		DATA_UPDTAB SPB8N500	FFFFADAD <hex>	
		DATA_UPDTAB SPB8N500	FFFFACD3 <hex>	
		DATA_UPDTAB SPB8N500	FFFFAB1E <hex>	
		DATA_UPDTAB SPB8N500	FFFFAA44 <hex>	
		DATA_UPDTAB SPB8N500	C0000000 <hex>	
		DATA_UPDTAB SPB8N500	C0000000 <hex>	
		DATA_UPDTAB SPB8N500	E0FF0000 <hex>	
		DATA_UPDTAB SPB8N500	C0000000 <hex>	
		DATA_UPDTAB SPB8N500	E0FF0000 <hex>	
		DATA_UPDTAB SPB8N500	C0000000 <hex>	
		DATA_UPDTAB SPB8N500	0 <hex>	
		DATA_UPDTAB SPB8N500	0 <hex>	
		DATA_UPDTAB SPB8N500	0 <hex>	
		DATA_UPDTAB SPB8N500	1 <hex>	
		DATA_UPDTAB SPB8N500	B <hex>	
		DATA_UPDTAB SPB8N500	2C <hex>	
		DATA_UPDTAB SPB8N500	8C3F0012 <hex>	
		DATA_UPDTAB SPB8N500	C080FFFF <hex>	
		DATA_UPDTAB SPB8N500	FFFFE3DF <hex>	
		TC Control Flags :		
			GBM IL DSE	

		Subsch. ID : 370		
		Det. descr. : UPDATE CONTENTS OF A TABLE		

SPIRE ON, DPU_START - Switch ON the redundant SPIRE units
 File: H_COP_SPI_RSON.xls
 Author: L.Lucas-hp



Step No.	Time	Activity/Remarks	TC/TLM	Display/ Branch
	ET=+00.00.01 UT=+00.00.01	UPDATE_TABLE UPDATE_TABLE	SCB02500	
		Command Parameter(s) :		
		TABLEID_UPDTAB SPB8N500	5 <hex>	
		INDEX_UPDTAB SPB8N500	2F8 <hex>	
		N_UPDTAB SPB8N500	38 <dec>	
		DATA_UPDTAB SPB8N500	FFFFFF305 <hex>	
		DATA_UPDTAB SPB8N500	FFFFFFE150 <hex>	
		DATA_UPDTAB SPB8N500	FFFFFFE075 <hex>	
		DATA_UPDTAB SPB8N500	C0000000 <hex>	
		DATA_UPDTAB SPB8N500	C0000000 <hex>	
		DATA_UPDTAB SPB8N500	E0FF0000 <hex>	
		DATA_UPDTAB SPB8N500	C0000000 <hex>	
		DATA_UPDTAB SPB8N500	E0FF0000 <hex>	
		DATA_UPDTAB SPB8N500	C0000000 <hex>	
		DATA_UPDTAB SPB8N500	0 <hex>	
		DATA_UPDTAB SPB8N500	0 <hex>	
		DATA_UPDTAB SPB8N500	0 <hex>	
		DATA_UPDTAB SPB8N500	1 <hex>	
		DATA_UPDTAB SPB8N500	B <hex>	
		DATA_UPDTAB SPB8N500	2D <hex>	
		DATA_UPDTAB SPB8N500	8C3F0013 <hex>	
		DATA_UPDTAB SPB8N500	C080FFFF <hex>	
		DATA_UPDTAB SPB8N500	1F94 <hex>	
		DATA_UPDTAB SPB8N500	1EB9 <hex>	
		DATA_UPDTAB SPB8N500	1D04 <hex>	
		DATA_UPDTAB SPB8N500	1C2A <hex>	
		DATA_UPDTAB SPB8N500	C0000000 <hex>	
		DATA_UPDTAB SPB8N500	C0000000 <hex>	
		DATA_UPDTAB SPB8N500	E0FF0000 <hex>	
		DATA_UPDTAB SPB8N500	C0000000 <hex>	
		DATA_UPDTAB SPB8N500	E0FF0000 <hex>	
		DATA_UPDTAB SPB8N500	C0000000 <hex>	
		DATA_UPDTAB SPB8N500	0 <hex>	
		DATA_UPDTAB SPB8N500	0 <hex>	
		DATA_UPDTAB SPB8N500	0 <hex>	
		DATA_UPDTAB SPB8N500	1 <hex>	
		DATA_UPDTAB SPB8N500	B <hex>	
		DATA_UPDTAB SPB8N500	2E <hex>	
		DATA_UPDTAB SPB8N500	8C3F0014 <hex>	
		DATA_UPDTAB SPB8N500	C080FFFF <hex>	
		DATA_UPDTAB SPB8N500	FFFFFFAE1B <hex>	
		DATA_UPDTAB SPB8N500	FFFFAD40 <hex>	
		DATA_UPDTAB SPB8N500	FFFFAB8B <hex>	
		TC Control Flags :		
			GBM IL DSE	

		Subsch. ID : 370		
		Det. descr. : UPDATE CONTENTS OF A TABLE		

SPIRE ON, DPU_START - Switch ON the redundant SPIRE units
 File: H_COP_SPI_RSON.xls
 Author: L.Lucas-hp



Step No.	Time	Activity/Remarks	TC/TLM	Display/ Branch
	ET=+00.00.01 UT=+00.00.01	UPDATE_TABLE UPDATE_TABLE	SCB02500	
		Command Parameter(s) :		
		TABLEID_UPDTAB SPB5N500	5 <hex>	
		INDEX_UPDTAB SPB6N500	31E <hex>	
		N_UPDTAB SPB7N500	38 <dec>	
		DATA_UPDTAB SPB8N500	FFFFFFAAB1 <hex>	
		DATA_UPDTAB SPB8N500	C0000000 <hex>	
		DATA_UPDTAB SPB8N500	C0000000 <hex>	
		DATA_UPDTAB SPB8N500	E0FF0000 <hex>	
		DATA_UPDTAB SPB8N500	C0000000 <hex>	
		DATA_UPDTAB SPB8N500	E0FF0000 <hex>	
		DATA_UPDTAB SPB8N500	C0000000 <hex>	
		DATA_UPDTAB SPB8N500	0 <hex>	
		DATA_UPDTAB SPB8N500	0 <hex>	
		DATA_UPDTAB SPB8N500	1 <hex>	
		DATA_UPDTAB SPB8N500	C <hex>	
		DATA_UPDTAB SPB8N500	2F <hex>	
		DATA_UPDTAB SPB8N500	8C3F0015 <hex>	
		DATA_UPDTAB SPB8N500	C080FFFF <hex>	
		DATA_UPDTAB SPB8N500	FFFFFFE3DF <hex>	
		DATA_UPDTAB SPB8N500	FFFFFFE305 <hex>	
		DATA_UPDTAB SPB8N500	FFFFFFE150 <hex>	
		DATA_UPDTAB SPB8N500	FFFFFFE075 <hex>	
		DATA_UPDTAB SPB8N500	C0000000 <hex>	
		DATA_UPDTAB SPB8N500	C0000000 <hex>	
		DATA_UPDTAB SPB8N500	E0FF0000 <hex>	
		DATA_UPDTAB SPB8N500	C0000000 <hex>	
		DATA_UPDTAB SPB8N500	E0FF0000 <hex>	
		DATA_UPDTAB SPB8N500	C0000000 <hex>	
		DATA_UPDTAB SPB8N500	E0FF0000 <hex>	
		DATA_UPDTAB SPB8N500	C0000000 <hex>	
		DATA_UPDTAB SPB8N500	0 <hex>	
		DATA_UPDTAB SPB8N500	0 <hex>	
		DATA_UPDTAB SPB8N500	0 <hex>	
		DATA_UPDTAB SPB8N500	1 <hex>	
		DATA_UPDTAB SPB8N500	C <hex>	
		DATA_UPDTAB SPB8N500	30 <hex>	
		DATA_UPDTAB SPB8N500	8C3F0016 <hex>	
		DATA_UPDTAB SPB8N500	C080FFFF <hex>	
		DATA_UPDTAB SPB8N500	1F94 <hex>	
		DATA_UPDTAB SPB8N500	1EB9 <hex>	
		DATA_UPDTAB SPB8N500	1D04 <hex>	
		DATA_UPDTAB SPB8N500	1C2A <hex>	
		DATA_UPDTAB SPB8N500	C0000000 <hex>	
		TC Control Flags :		
			GBM IL DSE	

		Subsch. ID : 370		
		Det. descr. : UPDATE CONTENTS OF A TABLE		

SPIRE ON, DPU_START - Switch ON the redundant SPIRE units
 File: H_COP_SPI_RSON.xls
 Author: L.Lucas-hp



Step No.	Time	Activity/Remarks	TC/TLM	Display/ Branch
	ET+=00.00.01 UT+=00.00.01	UPDATE_TABLE		
		UPDATE_TABLE	SCB02500	
		Command Parameter(s) :		
		TABLEID_UPDTAB SPB5N500	5 <hex>	
		INDEX_UPDTAB SPB6N500	344 <hex>	
		N_UPDTAB SPB7N500	38 <dec>	
		DATA_UPDTAB SPB8N500	C0000000 <hex>	
		DATA_UPDTAB SPB8N500	E0FF0000 <hex>	
		DATA_UPDTAB SPB8N500	C0000000 <hex>	
		DATA_UPDTAB SPB8N500	E0FF0000 <hex>	
		DATA_UPDTAB SPB8N500	C0000000 <hex>	
		DATA_UPDTAB SPB8N500	0 <hex>	
		DATA_UPDTAB SPB8N500	0 <hex>	
		DATA_UPDTAB SPB8N500	0 <hex>	
		DATA_UPDTAB SPB8N500	1 <hex>	
		DATA_UPDTAB SPB8N500	C <hex>	
		DATA_UPDTAB SPB8N500	31 <hex>	
		DATA_UPDTAB SPB8N500	4210000 <hex>	
		DATA_UPDTAB SPB8N500	C080FFFF <hex>	
		DATA_UPDTAB SPB8N500	EAA <hex>	
		DATA_UPDTAB SPB8N500	E00 <hex>	
		DATA_UPDTAB SPB8N500	CAA <hex>	
		DATA_UPDTAB SPB8N500	C00 <hex>	
		DATA_UPDTAB SPB8N500	C0000000 <hex>	
		DATA_UPDTAB SPB8N500	C0000000 <hex>	
		DATA_UPDTAB SPB8N500	E0FE6701 <hex>	
		DATA_UPDTAB SPB8N500	C0000000 <hex>	
		DATA_UPDTAB SPB8N500	E0FE6701 <hex>	
		DATA_UPDTAB SPB8N500	C0000000 <hex>	
		DATA_UPDTAB SPB8N500	0 <hex>	
		DATA_UPDTAB SPB8N500	0 <hex>	
		DATA_UPDTAB SPB8N500	0 <hex>	
		DATA_UPDTAB SPB8N500	0 <hex>	
		DATA_UPDTAB SPB8N500	32 <hex>	
		DATA_UPDTAB SPB8N500	4220000 <hex>	
		DATA_UPDTAB SPB8N500	C080FFFF <hex>	
		DATA_UPDTAB SPB8N500	EA9 <hex>	
		DATA_UPDTAB SPB8N500	DFE <hex>	
		DATA_UPDTAB SPB8N500	CAA <hex>	
		DATA_UPDTAB SPB8N500	BFF <hex>	
		DATA_UPDTAB SPB8N500	C0000000 <hex>	
		DATA_UPDTAB SPB8N500	C0000000 <hex>	
		DATA_UPDTAB SPB8N500	E0FE6701 <hex>	
		DATA_UPDTAB SPB8N500	C0000000 <hex>	
		TC Control Flags :		
			GBM IL DSE	

		Subsch. ID : 370		
		Det. descr. : UPDATE CONTENTS OF A TABLE		

SPIRE ON, DPU_START - Switch ON the redundant SPIRE units
 File: H_COP_SPI_RSON.xls
 Author: L.Lucas-hp



Step No.	Time	Activity/Remarks	TC/TLM	Display/ Branch
	ET=+00.00.01 UT=+00.00.01	UPDATE_TABLE		
		UPDATE_TABLE	SCB02500	
		Command Parameter(s) :		
		TABLEID_UPDTAB SPB8N500	5 <hex>	
		INDEX_UPDTAB SPB8N500	36A <hex>	
		N_UPDTAB SPB8N500	38 <dec>	
		DATA_UPDTAB SPB8N500	E0FE6701 <hex>	
		DATA_UPDTAB SPB8N500	C0000000 <hex>	
		DATA_UPDTAB SPB8N500	0 <hex>	
		DATA_UPDTAB SPB8N500	0 <hex>	
		DATA_UPDTAB SPB8N500	0 <hex>	
		DATA_UPDTAB SPB8N500	0 <hex>	
		DATA_UPDTAB SPB8N500	33 <hex>	
		DATA_UPDTAB SPB8N500	4230000 <hex>	
		DATA_UPDTAB SPB8N500	C080FFFF <hex>	
		DATA_UPDTAB SPB8N500	EA9 <hex>	
		DATA_UPDTAB SPB8N500	E38 <hex>	
		DATA_UPDTAB SPB8N500	CAA <hex>	
		DATA_UPDTAB SPB8N500	BFF <hex>	
		DATA_UPDTAB SPB8N500	C0000000 <hex>	
		DATA_UPDTAB SPB8N500	C0000000 <hex>	
		DATA_UPDTAB SPB8N500	E0FE6701 <hex>	
		DATA_UPDTAB SPB8N500	C0000000 <hex>	
		DATA_UPDTAB SPB8N500	E0FE6701 <hex>	
		DATA_UPDTAB SPB8N500	C0000000 <hex>	
		DATA_UPDTAB SPB8N500	0 <hex>	
		DATA_UPDTAB SPB8N500	0 <hex>	
		DATA_UPDTAB SPB8N500	0 <hex>	
		DATA_UPDTAB SPB8N500	0 <hex>	
		DATA_UPDTAB SPB8N500	34 <hex>	
		DATA_UPDTAB SPB8N500	4270000 <hex>	
		DATA_UPDTAB SPB8N500	C080FFFF <hex>	
		DATA_UPDTAB SPB8N500	8CC <hex>	
		DATA_UPDTAB SPB8N500	866 <hex>	
		DATA_UPDTAB SPB8N500	799 <hex>	
		DATA_UPDTAB SPB8N500	733 <hex>	
		DATA_UPDTAB SPB8N500	C0000000 <hex>	
		DATA_UPDTAB SPB8N500	C0000000 <hex>	
		DATA_UPDTAB SPB8N500	E0FE6701 <hex>	
		DATA_UPDTAB SPB8N500	C0000000 <hex>	
		DATA_UPDTAB SPB8N500	E0FE6701 <hex>	
		DATA_UPDTAB SPB8N500	C0000000 <hex>	
		DATA_UPDTAB SPB8N500	0 <hex>	
		DATA_UPDTAB SPB8N500	0 <hex>	
		TC Control Flags :		
			GBM IL DSE	

		Subsch. ID : 370		
		Det. descr. : UPDATE CONTENTS OF A TABLE		

SPIRE ON, DPU_START - Switch ON the redundant SPIRE units
 File: H_COP_SPI_RSON.xls
 Author: L.Lucas-hp



Step No.	Time	Activity/Remarks	TC/TLM	Display/ Branch
	ET=+00.00.01 UT=+00.00.01	UPDATE_TABLE UPDATE_TABLE	SCB02500	
		Command Parameter(s) :		
		TABLEID_UPDTAB SPB5N500	5 <hex>	
		INDEX_UPDTAB SPB6N500	390 <hex>	
		N_UPDTAB SPB7N500	38 <dec>	
		DATA_UPDTAB SPB8N500	0 <hex>	
		DATA_UPDTAB SPB8N500	0 <hex>	
		DATA_UPDTAB SPB8N500	35 <hex>	
		DATA_UPDTAB SPB8N500	A8C00000 <hex>	
		DATA_UPDTAB SPB8N500	C080FFFF <hex>	
		DATA_UPDTAB SPB8N500	886 <hex>	
		DATA_UPDTAB SPB8N500	845 <hex>	
		DATA_UPDTAB SPB8N500	67A <hex>	
		DATA_UPDTAB SPB8N500	659 <hex>	
		DATA_UPDTAB SPB8N500	C0000000 <hex>	
		DATA_UPDTAB SPB8N500	C0000000 <hex>	
		DATA_UPDTAB SPB8N500	E0FF0000 <hex>	
		DATA_UPDTAB SPB8N500	C0000000 <hex>	
		DATA_UPDTAB SPB8N500	E0FF0000 <hex>	
		DATA_UPDTAB SPB8N500	C0000000 <hex>	
		DATA_UPDTAB SPB8N500	0 <hex>	
		DATA_UPDTAB SPB8N500	0 <hex>	
		DATA_UPDTAB SPB8N500	0 <hex>	
		DATA_UPDTAB SPB8N500	1 <hex>	
		DATA_UPDTAB SPB8N500	1 <hex>	
		DATA_UPDTAB SPB8N500	36 <hex>	
		DATA_UPDTAB SPB8N500	A8C10000 <hex>	
		DATA_UPDTAB SPB8N500	C080FFFF <hex>	
		DATA_UPDTAB SPB8N500	886 <hex>	
		DATA_UPDTAB SPB8N500	845 <hex>	
		DATA_UPDTAB SPB8N500	67A <hex>	
		DATA_UPDTAB SPB8N500	659 <hex>	
		DATA_UPDTAB SPB8N500	C0000000 <hex>	
		DATA_UPDTAB SPB8N500	C0000000 <hex>	
		DATA_UPDTAB SPB8N500	E0FF0000 <hex>	
		DATA_UPDTAB SPB8N500	C0000000 <hex>	
		DATA_UPDTAB SPB8N500	E0FF0000 <hex>	
		DATA_UPDTAB SPB8N500	C0000000 <hex>	
		DATA_UPDTAB SPB8N500	0 <hex>	
		DATA_UPDTAB SPB8N500	0 <hex>	
		DATA_UPDTAB SPB8N500	0 <hex>	
		DATA_UPDTAB SPB8N500	1 <hex>	
		DATA_UPDTAB SPB8N500	1 <hex>	
		TC Control Flags :		
			GBM IL DSE	

		Subsch. ID : 370		
		Det. descr. : UPDATE CONTENTS OF A TABLE		

SPIRE ON, DPU_START - Switch ON the redundant SPIRE units
 File: H_COP_SPI_RSON.xls
 Author: L.Lucas-hp



Step No.	Time	Activity/Remarks	TC/TLM	Display/ Branch
	ET=+00.00.01 UT=+00.00.01	UPDATE_TABLE	SCB02500	
		UPDATE_TABLE		
		Command Parameter(s) :		
		TABLEID_UPDTAB SPB8N500	5 <hex>	
		INDEX_UPDTAB SPB6N500	3B6 <hex>	
		N_UPDTAB SPB7N500	38 <dec>	
		DATA_UPDTAB SPB8N500	37 <hex>	
		DATA_UPDTAB SPB8N500	A8C20000 <hex>	
		DATA_UPDTAB SPB8N500	C080FFFF <hex>	
		DATA_UPDTAB SPB8N500	886 <hex>	
		DATA_UPDTAB SPB8N500	845 <hex>	
		DATA_UPDTAB SPB8N500	67A <hex>	
		DATA_UPDTAB SPB8N500	659 <hex>	
		DATA_UPDTAB SPB8N500	C0000000 <hex>	
		DATA_UPDTAB SPB8N500	C0000000 <hex>	
		DATA_UPDTAB SPB8N500	E0FF0000 <hex>	
		DATA_UPDTAB SPB8N500	C0000000 <hex>	
		DATA_UPDTAB SPB8N500	E0FF0000 <hex>	
		DATA_UPDTAB SPB8N500	C0000000 <hex>	
		DATA_UPDTAB SPB8N500	0 <hex>	
		DATA_UPDTAB SPB8N500	0 <hex>	
		DATA_UPDTAB SPB8N500	0 <hex>	
		DATA_UPDTAB SPB8N500	1 <hex>	
		DATA_UPDTAB SPB8N500	1 <hex>	
		DATA_UPDTAB SPB8N500	38 <hex>	
		DATA_UPDTAB SPB8N500	A8C30000 <hex>	
		DATA_UPDTAB SPB8N500	C080FFFF <hex>	
		DATA_UPDTAB SPB8N500	886 <hex>	
		DATA_UPDTAB SPB8N500	845 <hex>	
		DATA_UPDTAB SPB8N500	67A <hex>	
		DATA_UPDTAB SPB8N500	659 <hex>	
		DATA_UPDTAB SPB8N500	C0000000 <hex>	
		DATA_UPDTAB SPB8N500	C0000000 <hex>	
		DATA_UPDTAB SPB8N500	E0FF0000 <hex>	
		DATA_UPDTAB SPB8N500	C0000000 <hex>	
		DATA_UPDTAB SPB8N500	E0FF0000 <hex>	
		DATA_UPDTAB SPB8N500	C0000000 <hex>	
		DATA_UPDTAB SPB8N500	0 <hex>	
		DATA_UPDTAB SPB8N500	0 <hex>	
		DATA_UPDTAB SPB8N500	0 <hex>	
		DATA_UPDTAB SPB8N500	1 <hex>	
		DATA_UPDTAB SPB8N500	1 <hex>	
		DATA_UPDTAB SPB8N500	39 <hex>	
		DATA_UPDTAB SPB8N500	99E50000 <hex>	
		TC Control Flags :		
			GBM IL DSE	

		Subsch. ID : 370		
		Det. descr. : UPDATE CONTENTS OF A TABLE		

SPIRE ON, DPU_START - Switch ON the redundant SPIRE units
 File: H_COP_SPI_RSON.xls
 Author: L.Lucas-hp



Step No.	Time	Activity/Remarks	TC/TLM	Display/ Branch
	ET=+00.00.01 UT=+00.00.01	UPDATE_TABLE	SCB02500	
		UPDATE_TABLE		
		Command Parameter(s) :		
		TABLEID_UPDTAB SPB8N500	5 <hex>	
		INDEX_UPDTAB SPB6N500	3DC <hex>	
		N_UPDTAB SPB7N500	38 <dec>	
		DATA_UPDTAB SPB8N500	C080FFFF <hex>	
		DATA_UPDTAB SPB8N500	FFFF99CE <hex>	
		DATA_UPDTAB SPB8N500	FFFF9908 <hex>	
		DATA_UPDTAB SPB8N500	FFFF939B <hex>	
		DATA_UPDTAB SPB8N500	FFFF9338 <hex>	
		DATA_UPDTAB SPB8N500	C0000000 <hex>	
		DATA_UPDTAB SPB8N500	C0000000 <hex>	
		DATA_UPDTAB SPB8N500	E0FE6702 <hex>	
		DATA_UPDTAB SPB8N500	C0000000 <hex>	
		DATA_UPDTAB SPB8N500	E0FE6702 <hex>	
		DATA_UPDTAB SPB8N500	C0000000 <hex>	
		DATA_UPDTAB SPB8N500	0 <hex>	
		DATA_UPDTAB SPB8N500	0 <hex>	
		DATA_UPDTAB SPB8N500	0 <hex>	
		DATA_UPDTAB SPB8N500	1 <hex>	
		DATA_UPDTAB SPB8N500	2 <hex>	
		DATA_UPDTAB SPB8N500	3A <hex>	
		DATA_UPDTAB SPB8N500	99E60000 <hex>	
		DATA_UPDTAB SPB8N500	C080FFFF <hex>	
		DATA_UPDTAB SPB8N500	FFFF99CE <hex>	
		DATA_UPDTAB SPB8N500	FFFF9908 <hex>	
		DATA_UPDTAB SPB8N500	FFFF939B <hex>	
		DATA_UPDTAB SPB8N500	FFFF9338 <hex>	
		DATA_UPDTAB SPB8N500	C0000000 <hex>	
		DATA_UPDTAB SPB8N500	C0000000 <hex>	
		DATA_UPDTAB SPB8N500	E0FE6702 <hex>	
		DATA_UPDTAB SPB8N500	C0000000 <hex>	
		DATA_UPDTAB SPB8N500	E0FE6702 <hex>	
		DATA_UPDTAB SPB8N500	C0000000 <hex>	
		DATA_UPDTAB SPB8N500	0 <hex>	
		DATA_UPDTAB SPB8N500	0 <hex>	
		DATA_UPDTAB SPB8N500	0 <hex>	
		DATA_UPDTAB SPB8N500	1 <hex>	
		DATA_UPDTAB SPB8N500	2 <hex>	
		DATA_UPDTAB SPB8N500	3B <hex>	
		DATA_UPDTAB SPB8N500	99E70000 <hex>	
		DATA_UPDTAB SPB8N500	C080FFFF <hex>	
		DATA_UPDTAB SPB8N500	FFFF99CE <hex>	
		TC Control Flags :		
			GBM IL DSE	

		Subsch. ID : 370		
		Det. descr. : UPDATE CONTENTS OF A TABLE		

SPIRE ON, DPU_START - Switch ON the redundant SPIRE units
 File: H_COP_SPI_RSON.xls
 Author: L.Lucas-hp



Step No.	Time	Activity/Remarks	TC/TLM	Display/ Branch
	ET=+00.00.01 UT=+00.00.01	UPDATE_TABLE		
		UPDATE_TABLE	SCB02500	
		Command Parameter(s) :		
		TABLEID_UPDTAB SPB8N500	5 <hex>	
		INDEX_UPDTAB SPB6N500	402 <hex>	
		N_UPDTAB SPB7N500	38 <dec>	
		DATA_UPDTAB SPB8N500	FFFF9908 <hex>	
		DATA_UPDTAB SPB8N500	FFFF939B <hex>	
		DATA_UPDTAB SPB8N500	FFFF9338 <hex>	
		DATA_UPDTAB SPB8N500	C0000000 <hex>	
		DATA_UPDTAB SPB8N500	C0000000 <hex>	
		DATA_UPDTAB SPB8N500	E0FE6702 <hex>	
		DATA_UPDTAB SPB8N500	C0000000 <hex>	
		DATA_UPDTAB SPB8N500	E0FE6702 <hex>	
		DATA_UPDTAB SPB8N500	C0000000 <hex>	
		DATA_UPDTAB SPB8N500	0 <hex>	
		DATA_UPDTAB SPB8N500	0 <hex>	
		DATA_UPDTAB SPB8N500	0 <hex>	
		DATA_UPDTAB SPB8N500	1 <hex>	
		DATA_UPDTAB SPB8N500	2 <hex>	
		DATA_UPDTAB SPB8N500	3C <hex>	
		DATA_UPDTAB SPB8N500	8C3F000D <hex>	
		DATA_UPDTAB SPB8N500	C080FFFF <hex>	
		DATA_UPDTAB SPB8N500	FFFFD53B <hex>	
		DATA_UPDTAB SPB8N500	FFFFD2AC <hex>	
		DATA_UPDTAB SPB8N500	FFFFC0C1 <hex>	
		DATA_UPDTAB SPB8N500	FFFFBF79 <hex>	
		DATA_UPDTAB SPB8N500	C0000000 <hex>	
		DATA_UPDTAB SPB8N500	C0000000 <hex>	
		DATA_UPDTAB SPB8N500	E0FE6703 <hex>	
		DATA_UPDTAB SPB8N500	C0000000 <hex>	
		DATA_UPDTAB SPB8N500	E0FE6703 <hex>	
		DATA_UPDTAB SPB8N500	C0000000 <hex>	
		DATA_UPDTAB SPB8N500	0 <hex>	
		DATA_UPDTAB SPB8N500	0 <hex>	
		DATA_UPDTAB SPB8N500	0 <hex>	
		DATA_UPDTAB SPB8N500	1 <hex>	
		DATA_UPDTAB SPB8N500	1 <hex>	
		DATA_UPDTAB SPB8N500	3D <hex>	
		DATA_UPDTAB SPB8N500	8C3F0000 <hex>	
		DATA_UPDTAB SPB8N500	C080FFFF <hex>	
		DATA_UPDTAB SPB8N500	FFFFD53B <hex>	
		DATA_UPDTAB SPB8N500	FFFFD2AC <hex>	
		DATA_UPDTAB SPB8N500	FFFFC0C1 <hex>	
		TC Control Flags :		
			GBM IL DSE	

		Subsch. ID : 370		
		Det. descr. : UPDATE CONTENTS OF A TABLE		

SPIRE ON, DPU_START - Switch ON the redundant SPIRE units
 File: H_COP_SPI_RSON.xls
 Author: L.Lucas-hp



Step No.	Time	Activity/Remarks	TC/TLM	Display/ Branch
	ET=+00.00.01 UT=+00.00.01	UPDATE_TABLE	SCB02500	
		UPDATE_TABLE		
		Command Parameter(s) :		
		TABLEID_UPDTAB SPB8N500	5 <hex>	
		INDEX_UPDTAB SPB6N500	44E <hex>	
		N_UPDTAB SPB7N500	38 <dec>	
		DATA_UPDTAB SPB8N500	C0000000 <hex>	
		DATA_UPDTAB SPB8N500	E0FE6703 <hex>	
		DATA_UPDTAB SPB8N500	C0000000 <hex>	
		DATA_UPDTAB SPB8N500	E0FE6703 <hex>	
		DATA_UPDTAB SPB8N500	C0000000 <hex>	
		DATA_UPDTAB SPB8N500	0 <hex>	
		DATA_UPDTAB SPB8N500	0 <hex>	
		DATA_UPDTAB SPB8N500	0 <hex>	
		DATA_UPDTAB SPB8N500	1 <hex>	
		DATA_UPDTAB SPB8N500	1 <hex>	
		DATA_UPDTAB SPB8N500	40 <hex>	
		DATA_UPDTAB SPB8N500	8C3F000A <hex>	
		DATA_UPDTAB SPB8N500	C080FFFF <hex>	
		DATA_UPDTAB SPB8N500	FFFFD53B <hex>	
		DATA_UPDTAB SPB8N500	FFFFD2AC <hex>	
		DATA_UPDTAB SPB8N500	FFFFC0C1 <hex>	
		DATA_UPDTAB SPB8N500	FFFFBF79 <hex>	
		DATA_UPDTAB SPB8N500	C0000000 <hex>	
		DATA_UPDTAB SPB8N500	C0000000 <hex>	
		DATA_UPDTAB SPB8N500	E0FE6703 <hex>	
		DATA_UPDTAB SPB8N500	C0000000 <hex>	
		DATA_UPDTAB SPB8N500	E0FE6703 <hex>	
		DATA_UPDTAB SPB8N500	C0000000 <hex>	
		DATA_UPDTAB SPB8N500	0 <hex>	
		DATA_UPDTAB SPB8N500	0 <hex>	
		DATA_UPDTAB SPB8N500	0 <hex>	
		DATA_UPDTAB SPB8N500	1 <hex>	
		DATA_UPDTAB SPB8N500	1 <hex>	
		DATA_UPDTAB SPB8N500	41 <hex>	
		DATA_UPDTAB SPB8N500	8C3F0009 <hex>	
		DATA_UPDTAB SPB8N500	C080FFFF <hex>	
		DATA_UPDTAB SPB8N500	FFFFD53B <hex>	
		DATA_UPDTAB SPB8N500	FFFFD2AC <hex>	
		DATA_UPDTAB SPB8N500	FFFFC0C1 <hex>	
		DATA_UPDTAB SPB8N500	FFFFBF79 <hex>	
		DATA_UPDTAB SPB8N500	C0000000 <hex>	
		DATA_UPDTAB SPB8N500	C0000000 <hex>	
		DATA_UPDTAB SPB8N500	E0FE6703 <hex>	
		TC Control Flags :		
			GBM IL DSE	

		Subsch. ID : 370		
		Det. descr. : UPDATE CONTENTS OF A TABLE		

SPIRE ON, DPU_START - Switch ON the redundant SPIRE units
 File: H_COP_SPI_RSON.xls
 Author: L.Lucas-hp



Step No.	Time	Activity/Remarks	TC/TLM	Display/ Branch
	ET=+00.00.01 UT=+00.00.01	UPDATE_TABLE		
		UPDATE_TABLE	SCB02500	
		Command Parameter(s) :		
		TABLEID_UPDTAB SPB8N500	5 <hex>	
		INDEX_UPDTAB SPB6N500	474 <hex>	
		N_UPDTAB SPB7N500	38 <dec>	
		DATA_UPDTAB SPB8N500	C0000000 <hex>	
		DATA_UPDTAB SPB8N500	E0FE6703 <hex>	
		DATA_UPDTAB SPB8N500	C0000000 <hex>	
		DATA_UPDTAB SPB8N500	0 <hex>	
		DATA_UPDTAB SPB8N500	0 <hex>	
		DATA_UPDTAB SPB8N500	0 <hex>	
		DATA_UPDTAB SPB8N500	1 <hex>	
		DATA_UPDTAB SPB8N500	1 <hex>	
		DATA_UPDTAB SPB8N500	42 <hex>	
		DATA_UPDTAB SPB8N500	8C3F0008 <hex>	
		DATA_UPDTAB SPB8N500	C080FFFF <hex>	
		DATA_UPDTAB SPB8N500	FFFFD53B <hex>	
		DATA_UPDTAB SPB8N500	FFFFD2AC <hex>	
		DATA_UPDTAB SPB8N500	FFFC0C1 <hex>	
		DATA_UPDTAB SPB8N500	FFFFBF79 <hex>	
		DATA_UPDTAB SPB8N500	C0000000 <hex>	
		DATA_UPDTAB SPB8N500	C0000000 <hex>	
		DATA_UPDTAB SPB8N500	E0FE6703 <hex>	
		DATA_UPDTAB SPB8N500	C0000000 <hex>	
		DATA_UPDTAB SPB8N500	E0FE6703 <hex>	
		DATA_UPDTAB SPB8N500	C0000000 <hex>	
		DATA_UPDTAB SPB8N500	0 <hex>	
		DATA_UPDTAB SPB8N500	0 <hex>	
		DATA_UPDTAB SPB8N500	0 <hex>	
		DATA_UPDTAB SPB8N500	1 <hex>	
		DATA_UPDTAB SPB8N500	1 <hex>	
		DATA_UPDTAB SPB8N500	1 <hex>	
		DATA_UPDTAB SPB8N500	43 <hex>	
		DATA_UPDTAB SPB8N500	8C3F0007 <hex>	
		DATA_UPDTAB SPB8N500	C080FFFF <hex>	
		DATA_UPDTAB SPB8N500	FFFFD53B <hex>	
		DATA_UPDTAB SPB8N500	FFFFD2AC <hex>	
		DATA_UPDTAB SPB8N500	FFFC0C1 <hex>	
		DATA_UPDTAB SPB8N500	FFFFBF79 <hex>	
		DATA_UPDTAB SPB8N500	C0000000 <hex>	
		DATA_UPDTAB SPB8N500	C0000000 <hex>	
		DATA_UPDTAB SPB8N500	E0FE6703 <hex>	
		DATA_UPDTAB SPB8N500	C0000000 <hex>	
		DATA_UPDTAB SPB8N500	E0FE6703 <hex>	
		TC Control Flags :		
			GBM IL DSE	

		Subsch. ID : 370		
		Det. descr. : UPDATE CONTENTS OF A TABLE		

SPIRE ON, DPU_START - Switch ON the redundant SPIRE units
 File: H_COP_SPI_RSON.xls
 Author: L.Lucas-hp



Step No.	Time	Activity/Remarks	TC/TLM	Display/ Branch
	ET=+00.00.01 UT=+00.00.01	UPDATE_TABLE		
		UPDATE_TABLE	SCB02500	
		Command Parameter(s) :		
		TABLEID_UPDTAB SPB8N500	5 <hex>	
		INDEX_UPDTAB SPB6N500	49A <hex>	
		N_UPDTAB SPB7N500	38 <dec>	
		DATA_UPDTAB SPB8N500	C0000000 <hex>	
		DATA_UPDTAB SPB8N500	0 <hex>	
		DATA_UPDTAB SPB8N500	0 <hex>	
		DATA_UPDTAB SPB8N500	0 <hex>	
		DATA_UPDTAB SPB8N500	1 <hex>	
		DATA_UPDTAB SPB8N500	1 <hex>	
		DATA_UPDTAB SPB8N500	44 <hex>	
		DATA_UPDTAB SPB8N500	8C3F0006 <hex>	
		DATA_UPDTAB SPB8N500	C080FFFF <hex>	
		DATA_UPDTAB SPB8N500	FFFFD53B <hex>	
		DATA_UPDTAB SPB8N500	FFFFD2AC <hex>	
		DATA_UPDTAB SPB8N500	FFFFC0C1 <hex>	
		DATA_UPDTAB SPB8N500	FFFFBF79 <hex>	
		DATA_UPDTAB SPB8N500	C0000000 <hex>	
		DATA_UPDTAB SPB8N500	C0000000 <hex>	
		DATA_UPDTAB SPB8N500	E0FE6703 <hex>	
		DATA_UPDTAB SPB8N500	C0000000 <hex>	
		DATA_UPDTAB SPB8N500	E0FE6703 <hex>	
		DATA_UPDTAB SPB8N500	C0000000 <hex>	
		DATA_UPDTAB SPB8N500	0 <hex>	
		DATA_UPDTAB SPB8N500	0 <hex>	
		DATA_UPDTAB SPB8N500	0 <hex>	
		DATA_UPDTAB SPB8N500	1 <hex>	
		DATA_UPDTAB SPB8N500	1 <hex>	
		DATA_UPDTAB SPB8N500	45 <hex>	
		DATA_UPDTAB SPB8N500	8C3F0005 <hex>	
		DATA_UPDTAB SPB8N500	C080FFFF <hex>	
		DATA_UPDTAB SPB8N500	FFFFD53B <hex>	
		DATA_UPDTAB SPB8N500	FFFFD2AC <hex>	
		DATA_UPDTAB SPB8N500	FFFFC0C1 <hex>	
		DATA_UPDTAB SPB8N500	FFFFBF79 <hex>	
		DATA_UPDTAB SPB8N500	C0000000 <hex>	
		DATA_UPDTAB SPB8N500	C0000000 <hex>	
		DATA_UPDTAB SPB8N500	E0FE6703 <hex>	
		DATA_UPDTAB SPB8N500	C0000000 <hex>	
		DATA_UPDTAB SPB8N500	E0FE6703 <hex>	
		DATA_UPDTAB SPB8N500	C0000000 <hex>	
		DATA_UPDTAB SPB8N500	0 <hex>	
		TC Control Flags :		
			GBM IL DSE	

		Subsch. ID : 370		
		Det. descr. : UPDATE CONTENTS OF A TABLE		

SPIRE ON, DPU_START - Switch ON the redundant SPIRE units
 File: H_COP_SPI_RSON.xls
 Author: L.Lucas-hp



Step No.	Time	Activity/Remarks	TC/TLM	Display/ Branch
	ET=+00.00.01 UT=+00.00.01	UPDATE_TABLE		
		UPDATE_TABLE	SCB02500	
		Command Parameter(s) :		
		TABLEID_UPDTAB SPB8N500	5 <hex>	
		INDEX_UPDTAB SPB6N500	4C0 <hex>	
		N_UPDTAB SPB7N500	38 <dec>	
		DATA_UPDTAB SPB8N500	0 <hex>	
		DATA_UPDTAB SPB8N500	0 <hex>	
		DATA_UPDTAB SPB8N500	1 <hex>	
		DATA_UPDTAB SPB8N500	1 <hex>	
		DATA_UPDTAB SPB8N500	46 <hex>	
		DATA_UPDTAB SPB8N500	8C3F0004 <hex>	
		DATA_UPDTAB SPB8N500	C080FFFF <hex>	
		DATA_UPDTAB SPB8N500	FFFFD53B <hex>	
		DATA_UPDTAB SPB8N500	FFFFD2AC <hex>	
		DATA_UPDTAB SPB8N500	FFFFC0C1 <hex>	
		DATA_UPDTAB SPB8N500	FFFFBF79 <hex>	
		DATA_UPDTAB SPB8N500	C0000000 <hex>	
		DATA_UPDTAB SPB8N500	C0000000 <hex>	
		DATA_UPDTAB SPB8N500	E0FE6703 <hex>	
		DATA_UPDTAB SPB8N500	C0000000 <hex>	
		DATA_UPDTAB SPB8N500	E0FE6703 <hex>	
		DATA_UPDTAB SPB8N500	C0000000 <hex>	
		DATA_UPDTAB SPB8N500	0 <hex>	
		DATA_UPDTAB SPB8N500	0 <hex>	
		DATA_UPDTAB SPB8N500	0 <hex>	
		DATA_UPDTAB SPB8N500	1 <hex>	
		DATA_UPDTAB SPB8N500	1 <hex>	
		DATA_UPDTAB SPB8N500	47 <hex>	
		DATA_UPDTAB SPB8N500	8C3F0001 <hex>	
		DATA_UPDTAB SPB8N500	C080FFFF <hex>	
		DATA_UPDTAB SPB8N500	FFFFD53B <hex>	
		DATA_UPDTAB SPB8N500	FFFFD2AC <hex>	
		DATA_UPDTAB SPB8N500	FFFFC0C1 <hex>	
		DATA_UPDTAB SPB8N500	FFFFBF79 <hex>	
		DATA_UPDTAB SPB8N500	C0000000 <hex>	
		DATA_UPDTAB SPB8N500	C0000000 <hex>	
		DATA_UPDTAB SPB8N500	E0FE6703 <hex>	
		DATA_UPDTAB SPB8N500	C0000000 <hex>	
		DATA_UPDTAB SPB8N500	E0FE6703 <hex>	
		DATA_UPDTAB SPB8N500	C0000000 <hex>	
		DATA_UPDTAB SPB8N500	0 <hex>	
		DATA_UPDTAB SPB8N500	0 <hex>	
		DATA_UPDTAB SPB8N500	0 <hex>	
		TC Control Flags :		
			GBM IL DSE	

		Subsch. ID : 370		
		Det. descr. : UPDATE CONTENTS OF A TABLE		

SPIRE ON, DPU_START - Switch ON the redundant SPIRE units
 File: H_COP_SPI_RSON.xls
 Author: L.Lucas-hp



Step No.	Time	Activity/Remarks	TC/TLM	Display/ Branch
	ET=+00.00.01 UT=+00.00.01	UPDATE_TABLE		
		UPDATE_TABLE	SCB02500	
		Command Parameter(s) :		
		TABLEID_UPDTAB SPB8N500	5 <hex>	
		INDEX_UPDTAB SPB6N500	4E6 <hex>	
		N_UPDTAB SPB7N500	38 <dec>	
		DATA_UPDTAB SPB8N500	1 <hex>	
		DATA_UPDTAB SPB8N500	1 <hex>	
		DATA_UPDTAB SPB8N500	48 <hex>	
		DATA_UPDTAB SPB8N500	8C3F0002 <hex>	
		DATA_UPDTAB SPB8N500	C080FFFF <hex>	
		DATA_UPDTAB SPB8N500	FFFFD53B <hex>	
		DATA_UPDTAB SPB8N500	FFFFD2AC <hex>	
		DATA_UPDTAB SPB8N500	FFFFC0C1 <hex>	
		DATA_UPDTAB SPB8N500	FFFFBF79 <hex>	
		DATA_UPDTAB SPB8N500	C0000000 <hex>	
		DATA_UPDTAB SPB8N500	C0000000 <hex>	
		DATA_UPDTAB SPB8N500	E0FE6703 <hex>	
		DATA_UPDTAB SPB8N500	C0000000 <hex>	
		DATA_UPDTAB SPB8N500	E0FE6703 <hex>	
		DATA_UPDTAB SPB8N500	C0000000 <hex>	
		DATA_UPDTAB SPB8N500	0 <hex>	
		DATA_UPDTAB SPB8N500	0 <hex>	
		DATA_UPDTAB SPB8N500	0 <hex>	
		DATA_UPDTAB SPB8N500	1 <hex>	
		DATA_UPDTAB SPB8N500	1 <hex>	
		DATA_UPDTAB SPB8N500	49 <hex>	
		DATA_UPDTAB SPB8N500	8C3F0003 <hex>	
		DATA_UPDTAB SPB8N500	C080FFFF <hex>	
		DATA_UPDTAB SPB8N500	FFFFD53B <hex>	
		DATA_UPDTAB SPB8N500	FFFFD2AC <hex>	
		DATA_UPDTAB SPB8N500	FFFFC0C1 <hex>	
		DATA_UPDTAB SPB8N500	FFFFBF79 <hex>	
		DATA_UPDTAB SPB8N500	C0000000 <hex>	
		DATA_UPDTAB SPB8N500	C0000000 <hex>	
		DATA_UPDTAB SPB8N500	E0FE6703 <hex>	
		DATA_UPDTAB SPB8N500	C0000000 <hex>	
		DATA_UPDTAB SPB8N500	E0FE6703 <hex>	
		DATA_UPDTAB SPB8N500	C0000000 <hex>	
		DATA_UPDTAB SPB8N500	0 <hex>	
		DATA_UPDTAB SPB8N500	0 <hex>	
		DATA_UPDTAB SPB8N500	0 <hex>	
		DATA_UPDTAB SPB8N500	1 <hex>	
		DATA_UPDTAB SPB8N500	1 <hex>	
		TC Control Flags :		
			GBM IL DSE	

		Subsch. ID : 370		
		Det. descr. : UPDATE CONTENTS OF A TABLE		

SPIRE ON, DPU_START - Switch ON the redundant SPIRE units
 File: H_COP_SPI_RSON.xls
 Author: L.Lucas-hp



Step No.	Time	Activity/Remarks	TC/TLM	Display/ Branch
	ET=+00.00.01 UT=+00.00.01	UPDATE_TABLE UPDATE_TABLE	SCB02500	
		Command Parameter(s) :		
		TABLEID_UPDTAB SPB5N500	5 <hex>	
		INDEX_UPDTAB SPB6N500	50C <hex>	
		N_UPDTAB SPB7N500	38 <dec>	
		DATA_UPDTAB SPB8N500	4A <hex>	
		DATA_UPDTAB SPB8N500	4240000 <hex>	
		DATA_UPDTAB SPB8N500	C080FFFF <hex>	
		DATA_UPDTAB SPB8N500	C4E <hex>	
		DATA_UPDTAB SPB8N500	C0F <hex>	
		DATA_UPDTAB SPB8N500	2B5 <hex>	
		DATA_UPDTAB SPB8N500	256 <hex>	
		DATA_UPDTAB SPB8N500	C0000000 <hex>	
		DATA_UPDTAB SPB8N500	C0000000 <hex>	
		DATA_UPDTAB SPB8N500	E0FE6701 <hex>	
		DATA_UPDTAB SPB8N500	C0000000 <hex>	
		DATA_UPDTAB SPB8N500	E0FE6701 <hex>	
		DATA_UPDTAB SPB8N500	C0000000 <hex>	
		DATA_UPDTAB SPB8N500	0 <hex>	
		DATA_UPDTAB SPB8N500	0 <hex>	
		DATA_UPDTAB SPB8N500	0 <hex>	
		DATA_UPDTAB SPB8N500	0 <hex>	
		DATA_UPDTAB SPB8N500	4B <hex>	
		DATA_UPDTAB SPB8N500	A8E00000 <hex>	
		DATA_UPDTAB SPB8N500	C080FFFF <hex>	
		DATA_UPDTAB SPB8N500	FFFF8001 <hex>	
		DATA_UPDTAB SPB8N500	FFFF8300 <hex>	
		DATA_UPDTAB SPB8N500	FFFFF4BE <hex>	
		DATA_UPDTAB SPB8N500	FFFFF68E <hex>	
		DATA_UPDTAB SPB8N500	C0000000 <hex>	
		DATA_UPDTAB SPB8N500	C0000000 <hex>	
		DATA_UPDTAB SPB8N500	F067001E <hex>	
		DATA_UPDTAB SPB8N500	C0000000 <hex>	
		DATA_UPDTAB SPB8N500	F067001E <hex>	
		DATA_UPDTAB SPB8N500	C0000000 <hex>	
		DATA_UPDTAB SPB8N500	0 <hex>	
		DATA_UPDTAB SPB8N500	0 <hex>	
		DATA_UPDTAB SPB8N500	0 <hex>	
		DATA_UPDTAB SPB8N500	2 <hex>	
		DATA_UPDTAB SPB8N500	E <hex>	
		DATA_UPDTAB SPB8N500	6 <hex>	
		DATA_UPDTAB SPB8N500	4C <hex>	
		DATA_UPDTAB SPB8N500	A8E00000 <hex>	
		TC Control Flags :		
			GBM IL DSE	

		Subsch. ID : 370		
		Det. descr. : UPDATE CONTENTS OF A TABLE		

SPIRE ON, DPU_START - Switch ON the redundant SPIRE units
 File: H_COP_SPI_RSON.xls
 Author: L.Lucas-hp



Step No.	Time	Activity/Remarks	TC/TLM	Display/ Branch
	ET=+00.00.01 UT=+00.00.01	UPDATE_TABLE	SCB02500	
		UPDATE_TABLE		
		Command Parameter(s) :		
		TABLEID_UPDTAB SPB8N500	5 <hex>	
		INDEX_UPDTAB SPB6N500	532 <hex>	
		N_UPDTAB SPB7N500	38 <dec>	
		DATA_UPDTAB SPB8N500	C080FFFF <hex>	
		DATA_UPDTAB SPB8N500	FFFF8001 <hex>	
		DATA_UPDTAB SPB8N500	FFFF8300 <hex>	
		DATA_UPDTAB SPB8N500	FFFFF4BE <hex>	
		DATA_UPDTAB SPB8N500	FFFFF68E <hex>	
		DATA_UPDTAB SPB8N500	C0000000 <hex>	
		DATA_UPDTAB SPB8N500	C0000000 <hex>	
		DATA_UPDTAB SPB8N500	E0FE6709 <hex>	
		DATA_UPDTAB SPB8N500	C0000000 <hex>	
		DATA_UPDTAB SPB8N500	E0FE6709 <hex>	
		DATA_UPDTAB SPB8N500	C0000000 <hex>	
		DATA_UPDTAB SPB8N500	0 <hex>	
		DATA_UPDTAB SPB8N500	0 <hex>	
		DATA_UPDTAB SPB8N500	0 <hex>	
		DATA_UPDTAB SPB8N500	2 <hex>	
		DATA_UPDTAB SPB8N500	E <hex>	
		DATA_UPDTAB SPB8N500	5 <hex>	
		DATA_UPDTAB SPB8N500	4D <hex>	
		DATA_UPDTAB SPB8N500	A8E10000 <hex>	
		DATA_UPDTAB SPB8N500	C080FFFF <hex>	
		DATA_UPDTAB SPB8N500	FFFF8001 <hex>	
		DATA_UPDTAB SPB8N500	FFFF99BA <hex>	
		DATA_UPDTAB SPB8N500	FFFFF5AD <hex>	
		DATA_UPDTAB SPB8N500	FFFFF79D <hex>	
		DATA_UPDTAB SPB8N500	C0000000 <hex>	
		DATA_UPDTAB SPB8N500	C0000000 <hex>	
		DATA_UPDTAB SPB8N500	F067001F <hex>	
		DATA_UPDTAB SPB8N500	C0000000 <hex>	
		DATA_UPDTAB SPB8N500	F067001F <hex>	
		DATA_UPDTAB SPB8N500	C0000000 <hex>	
		DATA_UPDTAB SPB8N500	0 <hex>	
		DATA_UPDTAB SPB8N500	0 <hex>	
		DATA_UPDTAB SPB8N500	0 <hex>	
		DATA_UPDTAB SPB8N500	2 <hex>	
		DATA_UPDTAB SPB8N500	F <hex>	
		DATA_UPDTAB SPB8N500	6 <hex>	
		DATA_UPDTAB SPB8N500	4E <hex>	
		DATA_UPDTAB SPB8N500	A8E10000 <hex>	
		TC Control Flags :		
			GBM IL DSE	

		Subsch. ID : 370		
		Det. descr. : UPDATE CONTENTS OF A TABLE		

SPIRE ON, DPU_START - Switch ON the redundant SPIRE units
 File: H_COP_SPI_RSON.xls
 Author: L.Lucas-hp



Step No.	Time	Activity/Remarks	TC/TLM	Display/ Branch
	ET=+00.00.01 UT=+00.00.01	UPDATE_TABLE UPDATE_TABLE	SCB02500	
		Command Parameter(s) :		
		TABLEID_UPDTAB SPB8N500	5 <hex>	
		INDEX_UPDTAB SPB8N500	558 <hex>	
		N_UPDTAB SPB8N500	38 <dec>	
		DATA_UPDTAB SPB8N500	C080FFFF <hex>	
		DATA_UPDTAB SPB8N500	FFFF8001 <hex>	
		DATA_UPDTAB SPB8N500	FFFF99BA <hex>	
		DATA_UPDTAB SPB8N500	FFFFF5AD <hex>	
		DATA_UPDTAB SPB8N500	FFFFF79D <hex>	
		DATA_UPDTAB SPB8N500	C0000000 <hex>	
		DATA_UPDTAB SPB8N500	C0000000 <hex>	
		DATA_UPDTAB SPB8N500	E0FE6709 <hex>	
		DATA_UPDTAB SPB8N500	C0000000 <hex>	
		DATA_UPDTAB SPB8N500	E0FE6709 <hex>	
		DATA_UPDTAB SPB8N500	C0000000 <hex>	
		DATA_UPDTAB SPB8N500	0 <hex>	
		DATA_UPDTAB SPB8N500	0 <hex>	
		DATA_UPDTAB SPB8N500	0 <hex>	
		DATA_UPDTAB SPB8N500	2 <hex>	
		DATA_UPDTAB SPB8N500	F <hex>	
		DATA_UPDTAB SPB8N500	5 <hex>	
		DATA_UPDTAB SPB8N500	4F <hex>	
		DATA_UPDTAB SPB8N500	A8E20000 <hex>	
		DATA_UPDTAB SPB8N500	C080FFFF <hex>	
		DATA_UPDTAB SPB8N500	FFFF8001 <hex>	
		DATA_UPDTAB SPB8N500	FFFF98E4 <hex>	
		DATA_UPDTAB SPB8N500	FFFFF574 <hex>	
		DATA_UPDTAB SPB8N500	FFFFF76F <hex>	
		DATA_UPDTAB SPB8N500	C0000000 <hex>	
		DATA_UPDTAB SPB8N500	C0000000 <hex>	
		DATA_UPDTAB SPB8N500	F0670020 <hex>	
		DATA_UPDTAB SPB8N500	C0000000 <hex>	
		DATA_UPDTAB SPB8N500	F0670020 <hex>	
		DATA_UPDTAB SPB8N500	C0000000 <hex>	
		DATA_UPDTAB SPB8N500	0 <hex>	
		DATA_UPDTAB SPB8N500	0 <hex>	
		DATA_UPDTAB SPB8N500	0 <hex>	
		DATA_UPDTAB SPB8N500	2 <hex>	
		DATA_UPDTAB SPB8N500	10 <hex>	
		DATA_UPDTAB SPB8N500	6 <hex>	
		DATA_UPDTAB SPB8N500	50 <hex>	
		DATA_UPDTAB SPB8N500	A8E20000 <hex>	
		TC Control Flags :		
			GBM IL DSE	

		Subsch. ID : 370		
		Det. descr. : UPDATE CONTENTS OF A TABLE		

SPIRE ON, DPU_START - Switch ON the redundant SPIRE units
 File: H_COP_SPI_RSON.xls
 Author: L.Lucas-hp



Step No.	Time	Activity/Remarks	TC/TLM	Display/ Branch
	ET=+00.00.01 UT=+00.00.01	UPDATE_TABLE		
		UPDATE_TABLE	SCB02500	
		Command Parameter(s) :		
		TABLEID_UPDTAB SPB8N500	5 <hex>	
		INDEX_UPDTAB SPB6N500	57E <hex>	
		N_UPDTAB SPB7N500	38 <dec>	
		DATA_UPDTAB SPB8N500	C080FFFF <hex>	
		DATA_UPDTAB SPB8N500	FFFF8001 <hex>	
		DATA_UPDTAB SPB8N500	FFFF98E4 <hex>	
		DATA_UPDTAB SPB8N500	FFFFF574 <hex>	
		DATA_UPDTAB SPB8N500	FFFFF76F <hex>	
		DATA_UPDTAB SPB8N500	C0000000 <hex>	
		DATA_UPDTAB SPB8N500	C0000000 <hex>	
		DATA_UPDTAB SPB8N500	E0FE6709 <hex>	
		DATA_UPDTAB SPB8N500	C0000000 <hex>	
		DATA_UPDTAB SPB8N500	E0FE6709 <hex>	
		DATA_UPDTAB SPB8N500	C0000000 <hex>	
		DATA_UPDTAB SPB8N500	0 <hex>	
		DATA_UPDTAB SPB8N500	0 <hex>	
		DATA_UPDTAB SPB8N500	0 <hex>	
		DATA_UPDTAB SPB8N500	2 <hex>	
		DATA_UPDTAB SPB8N500	10 <hex>	
		DATA_UPDTAB SPB8N500	5 <hex>	
		DATA_UPDTAB SPB8N500	51 <hex>	
		DATA_UPDTAB SPB8N500	A8E30000 <hex>	
		DATA_UPDTAB SPB8N500	C080FFFF <hex>	
		DATA_UPDTAB SPB8N500	FFFFF3B9 <hex>	
		DATA_UPDTAB SPB8N500	FFFFE89A <hex>	
		DATA_UPDTAB SPB8N500	FFFFDCB6 <hex>	
		DATA_UPDTAB SPB8N500	FFFFD0DF <hex>	
		DATA_UPDTAB SPB8N500	C0000000 <hex>	
		DATA_UPDTAB SPB8N500	C0000000 <hex>	
		DATA_UPDTAB SPB8N500	F0670021 <hex>	
		DATA_UPDTAB SPB8N500	C0000000 <hex>	
		DATA_UPDTAB SPB8N500	F0670021 <hex>	
		DATA_UPDTAB SPB8N500	C0000000 <hex>	
		DATA_UPDTAB SPB8N500	0 <hex>	
		DATA_UPDTAB SPB8N500	0 <hex>	
		DATA_UPDTAB SPB8N500	0 <hex>	
		DATA_UPDTAB SPB8N500	1 <hex>	
		DATA_UPDTAB SPB8N500	11 <hex>	
		DATA_UPDTAB SPB8N500	52 <hex>	
		DATA_UPDTAB SPB8N500	A8E40000 <hex>	
		DATA_UPDTAB SPB8N500	C080FFFF <hex>	
		TC Control Flags :		
			GBM IL DSE	

		Subsch. ID : 370		
		Det. descr. : UPDATE CONTENTS OF A TABLE		

SPIRE ON, DPU_START - Switch ON the redundant SPIRE units
 File: H_COP_SPI_RSON.xls
 Author: L.Lucas-hp



Step No.	Time	Activity/Remarks	TC/TLM	Display/ Branch
	ET=+00.00.01 UT=+00.00.01	UPDATE_TABLE		
		UPDATE_TABLE	SCB02500	
		Command Parameter(s) :		
		TABLEID_UPDTAB SPB8N500	5 <hex>	
		INDEX_UPDTAB SPB6N500	5A4 <hex>	
		N_UPDTAB SPB7N500	38 <dec>	
		DATA_UPDTAB SPB8N500	FFFFFFC1A <hex>	
		DATA_UPDTAB SPB8N500	FFFFFF59E <hex>	
		DATA_UPDTAB SPB8N500	FFFFFF281 <hex>	
		DATA_UPDTAB SPB8N500	FFFFFF007 <hex>	
		DATA_UPDTAB SPB8N500	C0000000 <hex>	
		DATA_UPDTAB SPB8N500	C0000000 <hex>	
		DATA_UPDTAB SPB8N500	F0670022 <hex>	
		DATA_UPDTAB SPB8N500	C0000000 <hex>	
		DATA_UPDTAB SPB8N500	F0670022 <hex>	
		DATA_UPDTAB SPB8N500	C0000000 <hex>	
		DATA_UPDTAB SPB8N500	C0000000 <hex>	
		DATA_UPDTAB SPB8N500	0 <hex>	
		DATA_UPDTAB SPB8N500	0 <hex>	
		DATA_UPDTAB SPB8N500	0 <hex>	
		DATA_UPDTAB SPB8N500	0 <hex>	
		DATA_UPDTAB SPB8N500	1 <hex>	
		DATA_UPDTAB SPB8N500	12 <hex>	
		DATA_UPDTAB SPB8N500	53 <hex>	
		DATA_UPDTAB SPB8N500	A8E50000 <hex>	
		DATA_UPDTAB SPB8N500	C080FFFF <hex>	
		DATA_UPDTAB SPB8N500	FFFFFF39A <hex>	
		DATA_UPDTAB SPB8N500	FFFFFEDE4 <hex>	
		DATA_UPDTAB SPB8N500	FFFFFE3B3 <hex>	
		DATA_UPDTAB SPB8N500	FFFFD198 <hex>	
		DATA_UPDTAB SPB8N500	C0000000 <hex>	
		DATA_UPDTAB SPB8N500	C0000000 <hex>	
		DATA_UPDTAB SPB8N500	F0670023 <hex>	
		DATA_UPDTAB SPB8N500	C0000000 <hex>	
		DATA_UPDTAB SPB8N500	F0670023 <hex>	
		DATA_UPDTAB SPB8N500	C0000000 <hex>	
		DATA_UPDTAB SPB8N500	0 <hex>	
		DATA_UPDTAB SPB8N500	0 <hex>	
		DATA_UPDTAB SPB8N500	0 <hex>	
		DATA_UPDTAB SPB8N500	1 <hex>	
		DATA_UPDTAB SPB8N500	13 <hex>	
		DATA_UPDTAB SPB8N500	54 <hex>	
		DATA_UPDTAB SPB8N500	A8E60000 <hex>	
		DATA_UPDTAB SPB8N500	C080FFFF <hex>	
		DATA_UPDTAB SPB8N500	FFFFFF4A2 <hex>	
		DATA_UPDTAB SPB8N500	FFFFEF4A <hex>	
		TC Control Flags :		
			GBM IL DSE	

		Subsch. ID : 370		
		Det. descr. : UPDATE CONTENTS OF A TABLE		

SPIRE ON, DPU_START - Switch ON the redundant SPIRE units
 File: H_COP_SPI_RSON.xls
 Author: L.Lucas-hp



Step No.	Time	Activity/Remarks	TC/TLM	Display/ Branch
	ET=+00.00.01 UT=+00.00.01	UPDATE_TABLE	SCB02500	
		UPDATE_TABLE		
		Command Parameter(s) :		
		TABLEID_UPDTAB SPB8N500	5 <hex>	
		INDEX_UPDTAB SPB6N500	5CA <hex>	
		N_UPDTAB SPB7N500	38 <dec>	
		DATA_UPDTAB SPB8N500	FFFFE582 <hex>	
		DATA_UPDTAB SPB8N500	FFFFD3E0 <hex>	
		DATA_UPDTAB SPB8N500	C0000000 <hex>	
		DATA_UPDTAB SPB8N500	C0000000 <hex>	
		DATA_UPDTAB SPB8N500	F0670024 <hex>	
		DATA_UPDTAB SPB8N500	C0000000 <hex>	
		DATA_UPDTAB SPB8N500	F0670024 <hex>	
		DATA_UPDTAB SPB8N500	C0000000 <hex>	
		DATA_UPDTAB SPB8N500	0 <hex>	
		DATA_UPDTAB SPB8N500	0 <hex>	
		DATA_UPDTAB SPB8N500	0 <hex>	
		DATA_UPDTAB SPB8N500	1 <hex>	
		DATA_UPDTAB SPB8N500	14 <hex>	
		DATA_UPDTAB SPB8N500	55 <hex>	
		DATA_UPDTAB SPB8N500	A8E70000 <hex>	
		DATA_UPDTAB SPB8N500	C080FFFF <hex>	
		DATA_UPDTAB SPB8N500	FFFFFFB48 <hex>	
		DATA_UPDTAB SPB8N500	FFFFFFD09 <hex>	
		DATA_UPDTAB SPB8N500	FFFFEC02 <hex>	
		DATA_UPDTAB SPB8N500	FFFFE81F <hex>	
		DATA_UPDTAB SPB8N500	C0000000 <hex>	
		DATA_UPDTAB SPB8N500	C0000000 <hex>	
		DATA_UPDTAB SPB8N500	F0670025 <hex>	
		DATA_UPDTAB SPB8N500	C0000000 <hex>	
		DATA_UPDTAB SPB8N500	F0670025 <hex>	
		DATA_UPDTAB SPB8N500	C0000000 <hex>	
		DATA_UPDTAB SPB8N500	0 <hex>	
		DATA_UPDTAB SPB8N500	0 <hex>	
		DATA_UPDTAB SPB8N500	0 <hex>	
		DATA_UPDTAB SPB8N500	0 <hex>	
		DATA_UPDTAB SPB8N500	1 <hex>	
		DATA_UPDTAB SPB8N500	15 <hex>	
		DATA_UPDTAB SPB8N500	56 <hex>	
		DATA_UPDTAB SPB8N500	A8E80000 <hex>	
		DATA_UPDTAB SPB8N500	C080FFFF <hex>	
		DATA_UPDTAB SPB8N500	FFFFFCDF <hex>	
		DATA_UPDTAB SPB8N500	FFFFF477 <hex>	
		DATA_UPDTAB SPB8N500	FFFFF058 <hex>	
		DATA_UPDTAB SPB8N500	FFFFE432 <hex>	
		TC Control Flags :		
			GBM IL DSE	

		Subsch. ID : 370		
		Det. descr. : UPDATE CONTENTS OF A TABLE		

SPIRE ON, DPU_START - Switch ON the redundant SPIRE units
 File: H_COP_SPI_RSON.xls
 Author: L.Lucas-hp



Step No.	Time	Activity/Remarks	TC/TLM	Display/ Branch
	ET=+00.00.01 UT=+00.00.01	UPDATE_TABLE	SCB02500	
		UPDATE_TABLE		
		Command Parameter(s) :		
		TABLEID_UPDTAB SPB8N500	5 <hex>	
		INDEX_UPDTAB SPB8N500	5F0 <hex>	
		N_UPDTAB SPB8N500	38 <dec>	
		DATA_UPDTAB SPB8N500	C0000000 <hex>	
		DATA_UPDTAB SPB8N500	C0000000 <hex>	
		DATA_UPDTAB SPB8N500	F0670026 <hex>	
		DATA_UPDTAB SPB8N500	C0000000 <hex>	
		DATA_UPDTAB SPB8N500	F0670026 <hex>	
		DATA_UPDTAB SPB8N500	C0000000 <hex>	
		DATA_UPDTAB SPB8N500	0 <hex>	
		DATA_UPDTAB SPB8N500	0 <hex>	
		DATA_UPDTAB SPB8N500	0 <hex>	
		DATA_UPDTAB SPB8N500	1 <hex>	
		DATA_UPDTAB SPB8N500	16 <hex>	
		DATA_UPDTAB SPB8N500	57 <hex>	
		DATA_UPDTAB SPB8N500	A8E90000 <hex>	
		DATA_UPDTAB SPB8N500	C080FFFF <hex>	
		DATA_UPDTAB SPB8N500	FFFFFFB31 <hex>	
		DATA_UPDTAB SPB8N500	FFFFFFE5D <hex>	
		DATA_UPDTAB SPB8N500	FFFFFFE9A2 <hex>	
		DATA_UPDTAB SPB8N500	FFFFFFE4EE <hex>	
		DATA_UPDTAB SPB8N500	C0000000 <hex>	
		DATA_UPDTAB SPB8N500	C0000000 <hex>	
		DATA_UPDTAB SPB8N500	F0670027 <hex>	
		DATA_UPDTAB SPB8N500	C0000000 <hex>	
		DATA_UPDTAB SPB8N500	F0670027 <hex>	
		DATA_UPDTAB SPB8N500	C0000000 <hex>	
		DATA_UPDTAB SPB8N500	0 <hex>	
		DATA_UPDTAB SPB8N500	0 <hex>	
		DATA_UPDTAB SPB8N500	0 <hex>	
		DATA_UPDTAB SPB8N500	0 <hex>	
		DATA_UPDTAB SPB8N500	1 <hex>	
		DATA_UPDTAB SPB8N500	17 <hex>	
		DATA_UPDTAB SPB8N500	58 <hex>	
		DATA_UPDTAB SPB8N500	A8EA0000 <hex>	
		DATA_UPDTAB SPB8N500	C080FFFF <hex>	
		DATA_UPDTAB SPB8N500	FFFF8001 <hex>	
		DATA_UPDTAB SPB8N500	FFFF8FDE <hex>	
		DATA_UPDTAB SPB8N500	FFFF2FA <hex>	
		DATA_UPDTAB SPB8N500	FFFFF448 <hex>	
		DATA_UPDTAB SPB8N500	C0000000 <hex>	
		DATA_UPDTAB SPB8N500	C0000000 <hex>	
		TC Control Flags :		
			GBM IL DSE	

		Subsch. ID : 370		
		Det. descr. : UPDATE CONTENTS OF A TABLE		

SPIRE ON, DPU_START - Switch ON the redundant SPIRE units
 File: H_COP_SPI_RSON.xls
 Author: L.Lucas-hp



Step No.	Time	Activity/Remarks	TC/TLM	Display/ Branch
	ET=+00.00.01 UT=+00.00.01	UPDATE_TABLE	SCB02500	
		UPDATE_TABLE		
		Command Parameter(s) :		
		TABLEID_UPDTAB SPB8N500	5 <hex>	
		INDEX_UPDTAB SPB6N500	616 <hex>	
		N_UPDTAB SPB7N500	38 <dec>	
		DATA_UPDTAB SPB8N500	F0670028 <hex>	
		DATA_UPDTAB SPB8N500	C0000000 <hex>	
		DATA_UPDTAB SPB8N500	F0670028 <hex>	
		DATA_UPDTAB SPB8N500	C0000000 <hex>	
		DATA_UPDTAB SPB8N500	0 <hex>	
		DATA_UPDTAB SPB8N500	0 <hex>	
		DATA_UPDTAB SPB8N500	0 <hex>	
		DATA_UPDTAB SPB8N500	1 <hex>	
		DATA_UPDTAB SPB8N500	18 <hex>	
		DATA_UPDTAB SPB8N500	59 <hex>	
		DATA_UPDTAB SPB8N500	A8EB0000 <hex>	
		DATA_UPDTAB SPB8N500	C080FFFF <hex>	
		DATA_UPDTAB SPB8N500	FFFF8001 <hex>	
		DATA_UPDTAB SPB8N500	FFFF8DEC <hex>	
		DATA_UPDTAB SPB8N500	FFFFFF2F1 <hex>	
		DATA_UPDTAB SPB8N500	FFFFFF448 <hex>	
		DATA_UPDTAB SPB8N500	C0000000 <hex>	
		DATA_UPDTAB SPB8N500	C0000000 <hex>	
		DATA_UPDTAB SPB8N500	F0670029 <hex>	
		DATA_UPDTAB SPB8N500	C0000000 <hex>	
		DATA_UPDTAB SPB8N500	F0670029 <hex>	
		DATA_UPDTAB SPB8N500	C0000000 <hex>	
		DATA_UPDTAB SPB8N500	0 <hex>	
		DATA_UPDTAB SPB8N500	0 <hex>	
		DATA_UPDTAB SPB8N500	1 <hex>	
		DATA_UPDTAB SPB8N500	19 <hex>	
		DATA_UPDTAB SPB8N500	5A <hex>	
		DATA_UPDTAB SPB8N500	A8EC0000 <hex>	
		DATA_UPDTAB SPB8N500	C080FFFF <hex>	
		DATA_UPDTAB SPB8N500	FFFFFFA4E <hex>	
		DATA_UPDTAB SPB8N500	FFFFFF1B6 <hex>	
		DATA_UPDTAB SPB8N500	FFFFEC15 <hex>	
		DATA_UPDTAB SPB8N500	FFFFE754 <hex>	
		DATA_UPDTAB SPB8N500	C0000000 <hex>	
		DATA_UPDTAB SPB8N500	C0000000 <hex>	
		DATA_UPDTAB SPB8N500	F067002A <hex>	
		DATA_UPDTAB SPB8N500	C0000000 <hex>	
		TC Control Flags :		
			GBM IL DSE	

		Subsch. ID : 370		
		Det. descr. : UPDATE CONTENTS OF A TABLE		

SPIRE ON, DPU_START - Switch ON the redundant SPIRE units
 File: H_COP_SPI_RSON.xls
 Author: L.Lucas-hp



Step No.	Time	Activity/Remarks	TC/TLM	Display/ Branch
	ET=+00.00.01 UT=+00.00.01	UPDATE_TABLE		
		UPDATE_TABLE	SCB02500	
		Command Parameter(s) :		
		TABLEID_UPDTAB SPB8N500	5 <hex>	
		INDEX_UPDTAB SPB6N500	63C <hex>	
		N_UPDTAB SPB7N500	38 <dec>	
		DATA_UPDTAB SPB8N500	F067002A <hex>	
		DATA_UPDTAB SPB8N500	C0000000 <hex>	
		DATA_UPDTAB SPB8N500	0 <hex>	
		DATA_UPDTAB SPB8N500	0 <hex>	
		DATA_UPDTAB SPB8N500	0 <hex>	
		DATA_UPDTAB SPB8N500	1 <hex>	
		DATA_UPDTAB SPB8N500	1A <hex>	
		DATA_UPDTAB SPB8N500	5B <hex>	
		DATA_UPDTAB SPB8N500	A8ED0000 <hex>	
		DATA_UPDTAB SPB8N500	C080FFFF <hex>	
		DATA_UPDTAB SPB8N500	FFFFFF9A0 <hex>	
		DATA_UPDTAB SPB8N500	FFFFEDC5 <hex>	
		DATA_UPDTAB SPB8N500	FFFFE86F <hex>	
		DATA_UPDTAB SPB8N500	FFFFE432 <hex>	
		DATA_UPDTAB SPB8N500	C0000000 <hex>	
		DATA_UPDTAB SPB8N500	C0000000 <hex>	
		DATA_UPDTAB SPB8N500	F067002B <hex>	
		DATA_UPDTAB SPB8N500	C0000000 <hex>	
		DATA_UPDTAB SPB8N500	F067002B <hex>	
		DATA_UPDTAB SPB8N500	C0000000 <hex>	
		DATA_UPDTAB SPB8N500	0 <hex>	
		DATA_UPDTAB SPB8N500	0 <hex>	
		DATA_UPDTAB SPB8N500	0 <hex>	
		DATA_UPDTAB SPB8N500	1 <hex>	
		DATA_UPDTAB SPB8N500	1B <hex>	
		DATA_UPDTAB SPB8N500	5C <hex>	
		DATA_UPDTAB SPB8N500	A8EE0000 <hex>	
		DATA_UPDTAB SPB8N500	C080FFFF <hex>	
		DATA_UPDTAB SPB8N500	FFFFF39B <hex>	
		DATA_UPDTAB SPB8N500	FFFFD6C5 <hex>	
		DATA_UPDTAB SPB8N500	FFFFC93F <hex>	
		DATA_UPDTAB SPB8N500	FFFFBE61 <hex>	
		DATA_UPDTAB SPB8N500	C0000000 <hex>	
		DATA_UPDTAB SPB8N500	C0000000 <hex>	
		DATA_UPDTAB SPB8N500	F067002C <hex>	
		DATA_UPDTAB SPB8N500	C0000000 <hex>	
		DATA_UPDTAB SPB8N500	F067002C <hex>	
		DATA_UPDTAB SPB8N500	C0000000 <hex>	
		TC Control Flags :		
			GBM IL DSE	

		Subsch. ID : 370		
		Det. descr. : UPDATE CONTENTS OF A TABLE		

SPIRE ON, DPU_START - Switch ON the redundant SPIRE units
 File: H_COP_SPI_RSON.xls
 Author: L.Lucas-hp



Step No.	Time	Activity/Remarks	TC/TLM	Display/ Branch
	ET=+00.00.01 UT=+00.00.01	UPDATE_TABLE		
		UPDATE_TABLE	SCB02500	
		Command Parameter(s) :		
		TABLEID_UPDTAB SPB8N500	5 <hex>	
		INDEX_UPDTAB SPB6N500	662 <hex>	
		N_UPDTAB SPB7N500	38 <dec>	
		DATA_UPDTAB SPB8N500	0 <hex>	
		DATA_UPDTAB SPB8N500	0 <hex>	
		DATA_UPDTAB SPB8N500	0 <hex>	
		DATA_UPDTAB SPB8N500	1 <hex>	
		DATA_UPDTAB SPB8N500	1C <hex>	
		DATA_UPDTAB SPB8N500	5D <hex>	
		DATA_UPDTAB SPB8N500	A8EF0000 <hex>	
		DATA_UPDTAB SPB8N500	C080FFFF <hex>	
		DATA_UPDTAB SPB8N500	FFFFE459 <hex>	
		DATA_UPDTAB SPB8N500	FFFFBA29 <hex>	
		DATA_UPDTAB SPB8N500	FFFFA81C <hex>	
		DATA_UPDTAB SPB8N500	FFFF99E7 <hex>	
		DATA_UPDTAB SPB8N500	C0000000 <hex>	
		DATA_UPDTAB SPB8N500	C0000000 <hex>	
		DATA_UPDTAB SPB8N500	F067002D <hex>	
		DATA_UPDTAB SPB8N500	C0000000 <hex>	
		DATA_UPDTAB SPB8N500	F067002D <hex>	
		DATA_UPDTAB SPB8N500	C0000000 <hex>	
		DATA_UPDTAB SPB8N500	0 <hex>	
		DATA_UPDTAB SPB8N500	0 <hex>	
		DATA_UPDTAB SPB8N500	0 <hex>	
		DATA_UPDTAB SPB8N500	1 <hex>	
		DATA_UPDTAB SPB8N500	1D <hex>	
		DATA_UPDTAB SPB8N500	5E <hex>	
		DATA_UPDTAB SPB8N500	A8C40000 <hex>	
		DATA_UPDTAB SPB8N500	C080FFFF <hex>	
		DATA_UPDTAB SPB8N500	8000 <hex>	
		DATA_UPDTAB SPB8N500	8000 <hex>	
		DATA_UPDTAB SPB8N500	FFFF7FFF <hex>	
		DATA_UPDTAB SPB8N500	FFFF7FFF <hex>	
		DATA_UPDTAB SPB8N500	C0000000 <hex>	
		DATA_UPDTAB SPB8N500	C0000000 <hex>	
		DATA_UPDTAB SPB8N500	E0FE6709 <hex>	
		DATA_UPDTAB SPB8N500	C0000000 <hex>	
		DATA_UPDTAB SPB8N500	E0FE6709 <hex>	
		DATA_UPDTAB SPB8N500	C0000000 <hex>	
		DATA_UPDTAB SPB8N500	0 <hex>	
		DATA_UPDTAB SPB8N500	0 <hex>	
		TC Control Flags :		
			GBM IL DSE	

		Subsch. ID : 370		
		Det. descr. : UPDATE CONTENTS OF A TABLE		

SPIRE ON, DPU_START - Switch ON the redundant SPIRE units
 File: H_COP_SPI_RSON.xls
 Author: L.Lucas-hp



Step No.	Time	Activity/Remarks	TC/TLM	Display/ Branch
	ET=+00.00.01 UT=+00.00.01	UPDATE_TABLE		
		UPDATE_TABLE	SCB02500	
		Command Parameter(s) :		
		TABLEID_UPDTAB SPB8N500	5 <hex>	
		INDEX_UPDTAB SPB6N500	688 <hex>	
		N_UPDTAB SPB7N500	38 <dec>	
		DATA_UPDTAB SPB8N500	0 <hex>	
		DATA_UPDTAB SPB8N500	2 <hex>	
		DATA_UPDTAB SPB8N500	1 <hex>	
		DATA_UPDTAB SPB8N500	5 <hex>	
		DATA_UPDTAB SPB8N500	5F <hex>	
		DATA_UPDTAB SPB8N500	A8C40000 <hex>	
		DATA_UPDTAB SPB8N500	C080FFFF <hex>	
		DATA_UPDTAB SPB8N500	8000 <hex>	
		DATA_UPDTAB SPB8N500	8000 <hex>	
		DATA_UPDTAB SPB8N500	FFFF7FFF <hex>	
		DATA_UPDTAB SPB8N500	FFFF7FFF <hex>	
		DATA_UPDTAB SPB8N500	C0000000 <hex>	
		DATA_UPDTAB SPB8N500	C0000000 <hex>	
		DATA_UPDTAB SPB8N500	F067000C <hex>	
		DATA_UPDTAB SPB8N500	C0000000 <hex>	
		DATA_UPDTAB SPB8N500	F067000C <hex>	
		DATA_UPDTAB SPB8N500	C0000000 <hex>	
		DATA_UPDTAB SPB8N500	0 <hex>	
		DATA_UPDTAB SPB8N500	0 <hex>	
		DATA_UPDTAB SPB8N500	0 <hex>	
		DATA_UPDTAB SPB8N500	2 <hex>	
		DATA_UPDTAB SPB8N500	1 <hex>	
		DATA_UPDTAB SPB8N500	6 <hex>	
		DATA_UPDTAB SPB8N500	60 <hex>	
		DATA_UPDTAB SPB8N500	A8C50000 <hex>	
		DATA_UPDTAB SPB8N500	C080FFFF <hex>	
		DATA_UPDTAB SPB8N500	8000 <hex>	
		DATA_UPDTAB SPB8N500	8000 <hex>	
		DATA_UPDTAB SPB8N500	FFFF7FFF <hex>	
		DATA_UPDTAB SPB8N500	FFFF7FFF <hex>	
		DATA_UPDTAB SPB8N500	C0000000 <hex>	
		DATA_UPDTAB SPB8N500	C0000000 <hex>	
		DATA_UPDTAB SPB8N500	E0FE6709 <hex>	
		DATA_UPDTAB SPB8N500	C0000000 <hex>	
		DATA_UPDTAB SPB8N500	E0FE6709 <hex>	
		DATA_UPDTAB SPB8N500	C0000000 <hex>	
		DATA_UPDTAB SPB8N500	0 <hex>	
		DATA_UPDTAB SPB8N500	0 <hex>	
		TC Control Flags :		
			GBM IL DSE	

		Subsch. ID : 370		
		Det. descr. : UPDATE CONTENTS OF A TABLE		

SPIRE ON, DPU_START - Switch ON the redundant SPIRE units
 File: H_COP_SPI_RSON.xls
 Author: L.Lucas-hp



Step No.	Time	Activity/Remarks	TC/TLM	Display/ Branch
	ET=+00.00.01 UT=+00.00.01	UPDATE_TABLE		
		UPDATE_TABLE	SCB02500	
		Command Parameter(s) :		
		TABLEID_UPDTAB SPB8N500	5 <hex>	
		INDEX_UPDTAB SPB6N500	6AE <hex>	
		N_UPDTAB SPB7N500	38 <dec>	
		DATA_UPDTAB SPB8N500	0 <hex>	
		DATA_UPDTAB SPB8N500	2 <hex>	
		DATA_UPDTAB SPB8N500	1 <hex>	
		DATA_UPDTAB SPB8N500	5 <hex>	
		DATA_UPDTAB SPB8N500	61 <hex>	
		DATA_UPDTAB SPB8N500	A8C50000 <hex>	
		DATA_UPDTAB SPB8N500	C080FFFF <hex>	
		DATA_UPDTAB SPB8N500	8000 <hex>	
		DATA_UPDTAB SPB8N500	8000 <hex>	
		DATA_UPDTAB SPB8N500	FFFF7FFF <hex>	
		DATA_UPDTAB SPB8N500	FFFF7FFF <hex>	
		DATA_UPDTAB SPB8N500	C0000000 <hex>	
		DATA_UPDTAB SPB8N500	C0000000 <hex>	
		DATA_UPDTAB SPB8N500	F067000C <hex>	
		DATA_UPDTAB SPB8N500	C0000000 <hex>	
		DATA_UPDTAB SPB8N500	F067000C <hex>	
		DATA_UPDTAB SPB8N500	C0000000 <hex>	
		DATA_UPDTAB SPB8N500	0 <hex>	
		DATA_UPDTAB SPB8N500	0 <hex>	
		DATA_UPDTAB SPB8N500	0 <hex>	
		DATA_UPDTAB SPB8N500	2 <hex>	
		DATA_UPDTAB SPB8N500	1 <hex>	
		DATA_UPDTAB SPB8N500	6 <hex>	
		DATA_UPDTAB SPB8N500	62 <hex>	
		DATA_UPDTAB SPB8N500	A8C70000 <hex>	
		DATA_UPDTAB SPB8N500	C080FFFF <hex>	
		DATA_UPDTAB SPB8N500	8000 <hex>	
		DATA_UPDTAB SPB8N500	8000 <hex>	
		DATA_UPDTAB SPB8N500	FFFF7FFF <hex>	
		DATA_UPDTAB SPB8N500	FFFF7FFF <hex>	
		DATA_UPDTAB SPB8N500	C0000000 <hex>	
		DATA_UPDTAB SPB8N500	C0000000 <hex>	
		DATA_UPDTAB SPB8N500	E0FE6709 <hex>	
		DATA_UPDTAB SPB8N500	C0000000 <hex>	
		DATA_UPDTAB SPB8N500	E0FE6709 <hex>	
		DATA_UPDTAB SPB8N500	C0000000 <hex>	
		DATA_UPDTAB SPB8N500	0 <hex>	
		DATA_UPDTAB SPB8N500	0 <hex>	
		TC Control Flags :		
			GBM IL DSE	

		Subsch. ID : 370		
		Det. descr. : UPDATE CONTENTS OF A TABLE		

SPIRE ON, DPU_START - Switch ON the redundant SPIRE units
 File: H_COP_SPI_RSON.xls
 Author: L.Lucas-hp



Step No.	Time	Activity/Remarks	TC/TLM	Display/ Branch
	ET=+00.00.01 UT=+00.00.01	UPDATE_TABLE	SCB02500	
		UPDATE_TABLE		
		Command Parameter(s) :		
		TABLEID_UPDTAB SPB8N500	5 <hex>	
		INDEX_UPDTAB SPB6N500	6D4 <hex>	
		N_UPDTAB SPB7N500	38 <dec>	
		DATA_UPDTAB SPB8N500	0 <hex>	
		DATA_UPDTAB SPB8N500	2 <hex>	
		DATA_UPDTAB SPB8N500	1 <hex>	
		DATA_UPDTAB SPB8N500	5 <hex>	
		DATA_UPDTAB SPB8N500	63 <hex>	
		DATA_UPDTAB SPB8N500	A8C70000 <hex>	
		DATA_UPDTAB SPB8N500	C080FFFF <hex>	
		DATA_UPDTAB SPB8N500	8000 <hex>	
		DATA_UPDTAB SPB8N500	8000 <hex>	
		DATA_UPDTAB SPB8N500	FFFF7FFF <hex>	
		DATA_UPDTAB SPB8N500	FFFF7FFF <hex>	
		DATA_UPDTAB SPB8N500	C0000000 <hex>	
		DATA_UPDTAB SPB8N500	C0000000 <hex>	
		DATA_UPDTAB SPB8N500	F067000B <hex>	
		DATA_UPDTAB SPB8N500	C0000000 <hex>	
		DATA_UPDTAB SPB8N500	F067000B <hex>	
		DATA_UPDTAB SPB8N500	C0000000 <hex>	
		DATA_UPDTAB SPB8N500	0 <hex>	
		DATA_UPDTAB SPB8N500	0 <hex>	
		DATA_UPDTAB SPB8N500	0 <hex>	
		DATA_UPDTAB SPB8N500	2 <hex>	
		DATA_UPDTAB SPB8N500	1 <hex>	
		DATA_UPDTAB SPB8N500	6 <hex>	
		DATA_UPDTAB SPB8N500	64 <hex>	
		DATA_UPDTAB SPB8N500	A8C60000 <hex>	
		DATA_UPDTAB SPB8N500	C080FFFF <hex>	
		DATA_UPDTAB SPB8N500	8000 <hex>	
		DATA_UPDTAB SPB8N500	8000 <hex>	
		DATA_UPDTAB SPB8N500	FFFF7FFF <hex>	
		DATA_UPDTAB SPB8N500	FFFF7FFF <hex>	
		DATA_UPDTAB SPB8N500	C0000000 <hex>	
		DATA_UPDTAB SPB8N500	C0000000 <hex>	
		DATA_UPDTAB SPB8N500	F067000A <hex>	
		DATA_UPDTAB SPB8N500	C0000000 <hex>	
		DATA_UPDTAB SPB8N500	F067000A <hex>	
		DATA_UPDTAB SPB8N500	C0000000 <hex>	
		DATA_UPDTAB SPB8N500	0 <hex>	
		DATA_UPDTAB SPB8N500	0 <hex>	
		TC Control Flags :		
			GBM IL DSE	

		Subsch. ID : 370		
		Det. descr. : UPDATE CONTENTS OF A TABLE		

SPIRE ON, DPU_START - Switch ON the redundant SPIRE units
 File: H_COP_SPI_RSON.xls
 Author: L.Lucas-hp



Step No.	Time	Activity/Remarks	TC/TLM	Display/ Branch
	ET=+00.00.01 UT=+00.00.01	UPDATE_TABLE	SCB02500	
		UPDATE_TABLE		
		Command Parameter(s) :		
		TABLEID_UPDTAB SPB8N500	5 <hex>	
		INDEX_UPDTAB SPB8N500	6FA <hex>	
		N_UPDTAB SPB8N500	38 <dec>	
		DATA_UPDTAB SPB8N500	0 <hex>	
		DATA_UPDTAB SPB8N500	1 <hex>	
		DATA_UPDTAB SPB8N500	1 <hex>	
		DATA_UPDTAB SPB8N500	65 <hex>	
		DATA_UPDTAB SPB8N500	A8C90000 <hex>	
		DATA_UPDTAB SPB8N500	C080FFFF <hex>	
		DATA_UPDTAB SPB8N500	8000 <hex>	
		DATA_UPDTAB SPB8N500	8000 <hex>	
		DATA_UPDTAB SPB8N500	FFFF7FFF <hex>	
		DATA_UPDTAB SPB8N500	FFFF7FFF <hex>	
		DATA_UPDTAB SPB8N500	C0000000 <hex>	
		DATA_UPDTAB SPB8N500	C0000000 <hex>	
		DATA_UPDTAB SPB8N500	F0670004 <hex>	
		DATA_UPDTAB SPB8N500	C0000000 <hex>	
		DATA_UPDTAB SPB8N500	F0670004 <hex>	
		DATA_UPDTAB SPB8N500	C0000000 <hex>	
		DATA_UPDTAB SPB8N500	0 <hex>	
		DATA_UPDTAB SPB8N500	0 <hex>	
		DATA_UPDTAB SPB8N500	0 <hex>	
		DATA_UPDTAB SPB8N500	1 <hex>	
		DATA_UPDTAB SPB8N500	1 <hex>	
		DATA_UPDTAB SPB8N500	66 <hex>	
		DATA_UPDTAB SPB8N500	A8C80000 <hex>	
		DATA_UPDTAB SPB8N500	C080FFFF <hex>	
		DATA_UPDTAB SPB8N500	8000 <hex>	
		DATA_UPDTAB SPB8N500	8000 <hex>	
		DATA_UPDTAB SPB8N500	FFFF7FFF <hex>	
		DATA_UPDTAB SPB8N500	FFFF7FFF <hex>	
		DATA_UPDTAB SPB8N500	C0000000 <hex>	
		DATA_UPDTAB SPB8N500	C0000000 <hex>	
		DATA_UPDTAB SPB8N500	F0670004 <hex>	
		DATA_UPDTAB SPB8N500	C0000000 <hex>	
		DATA_UPDTAB SPB8N500	F0670004 <hex>	
		DATA_UPDTAB SPB8N500	C0000000 <hex>	
		DATA_UPDTAB SPB8N500	0 <hex>	
		DATA_UPDTAB SPB8N500	0 <hex>	
		DATA_UPDTAB SPB8N500	0 <hex>	
		DATA_UPDTAB SPB8N500	1 <hex>	
		TC Control Flags :		
			GBM IL DSE	

		Subsch. ID : 370		
		Det. descr. : UPDATE CONTENTS OF A TABLE		

SPIRE ON, DPU_START - Switch ON the redundant SPIRE units
 File: H_COP_SPI_RSON.xls
 Author: L.Lucas-hp



Step No.	Time	Activity/Remarks	TC/TLM	Display/ Branch
	ET=+00.00.01 UT=+00.00.01	UPDATE_TABLE UPDATE_TABLE	SCB02500	
		Command Parameter(s) :		
		TABLEID_UPDTAB SPB5N500	5 <hex>	
		INDEX_UPDTAB SPB6N500	720 <hex>	
		N_UPDTAB SPB7N500	38 <dec>	
		DATA_UPDTAB SPB8N500	1 <hex>	
		DATA_UPDTAB SPB8N500	67 <hex>	
		DATA_UPDTAB SPB8N500	A8CD0000 <hex>	
		DATA_UPDTAB SPB8N500	C080FFFF <hex>	
		DATA_UPDTAB SPB8N500	8000 <hex>	
		DATA_UPDTAB SPB8N500	8000 <hex>	
		DATA_UPDTAB SPB8N500	FFFF7FFF <hex>	
		DATA_UPDTAB SPB8N500	FFFF7FFF <hex>	
		DATA_UPDTAB SPB8N500	C0000000 <hex>	
		DATA_UPDTAB SPB8N500	C0000000 <hex>	
		DATA_UPDTAB SPB8N500	F0670005 <hex>	
		DATA_UPDTAB SPB8N500	C0000000 <hex>	
		DATA_UPDTAB SPB8N500	F0670005 <hex>	
		DATA_UPDTAB SPB8N500	C0000000 <hex>	
		DATA_UPDTAB SPB8N500	0 <hex>	
		DATA_UPDTAB SPB8N500	0 <hex>	
		DATA_UPDTAB SPB8N500	0 <hex>	
		DATA_UPDTAB SPB8N500	1 <hex>	
		DATA_UPDTAB SPB8N500	1 <hex>	
		DATA_UPDTAB SPB8N500	68 <hex>	
		DATA_UPDTAB SPB8N500	A8CC0000 <hex>	
		DATA_UPDTAB SPB8N500	C080FFFF <hex>	
		DATA_UPDTAB SPB8N500	8000 <hex>	
		DATA_UPDTAB SPB8N500	8000 <hex>	
		DATA_UPDTAB SPB8N500	FFFF7FFF <hex>	
		DATA_UPDTAB SPB8N500	FFFF7FFF <hex>	
		DATA_UPDTAB SPB8N500	C0000000 <hex>	
		DATA_UPDTAB SPB8N500	C0000000 <hex>	
		DATA_UPDTAB SPB8N500	F0670005 <hex>	
		DATA_UPDTAB SPB8N500	C0000000 <hex>	
		DATA_UPDTAB SPB8N500	F0670005 <hex>	
		DATA_UPDTAB SPB8N500	C0000000 <hex>	
		DATA_UPDTAB SPB8N500	0 <hex>	
		DATA_UPDTAB SPB8N500	0 <hex>	
		DATA_UPDTAB SPB8N500	0 <hex>	
		DATA_UPDTAB SPB8N500	1 <hex>	
		DATA_UPDTAB SPB8N500	1 <hex>	
		DATA_UPDTAB SPB8N500	69 <hex>	
		TC Control Flags :		
			GBM IL DSE	

		Subsch. ID : 370		
		Det. descr. : UPDATE CONTENTS OF A TABLE		

SPIRE ON, DPU_START - Switch ON the redundant SPIRE units
 File: H_COP_SPI_RSON.xls
 Author: L.Lucas-hp



Step No.	Time	Activity/Remarks	TC/TLM	Display/ Branch
	ET=+00.00.01 UT=+00.00.01	UPDATE_TABLE UPDATE_TABLE	SCB02500	
		Command Parameter(s) :		
		TABLEID_UPDTAB SPB5N500	5 <hex>	
		INDEX_UPDTAB SPB6N500	746 <hex>	
		N_UPDTAB SPB7N500	38 <dec>	
		DATA_UPDTAB SPB8N500	A8CB0000 <hex>	
		DATA_UPDTAB SPB8N500	C080FFFF <hex>	
		DATA_UPDTAB SPB8N500	8000 <hex>	
		DATA_UPDTAB SPB8N500	8000 <hex>	
		DATA_UPDTAB SPB8N500	FFFF7FFF <hex>	
		DATA_UPDTAB SPB8N500	FFFF7FFF <hex>	
		DATA_UPDTAB SPB8N500	C0000000 <hex>	
		DATA_UPDTAB SPB8N500	C0000000 <hex>	
		DATA_UPDTAB SPB8N500	F0670005 <hex>	
		DATA_UPDTAB SPB8N500	C0000000 <hex>	
		DATA_UPDTAB SPB8N500	F0670005 <hex>	
		DATA_UPDTAB SPB8N500	C0000000 <hex>	
		DATA_UPDTAB SPB8N500	0 <hex>	
		DATA_UPDTAB SPB8N500	0 <hex>	
		DATA_UPDTAB SPB8N500	0 <hex>	
		DATA_UPDTAB SPB8N500	1 <hex>	
		DATA_UPDTAB SPB8N500	1 <hex>	
		DATA_UPDTAB SPB8N500	6A <hex>	
		DATA_UPDTAB SPB8N500	A8CA0000 <hex>	
		DATA_UPDTAB SPB8N500	C080FFFF <hex>	
		DATA_UPDTAB SPB8N500	8000 <hex>	
		DATA_UPDTAB SPB8N500	8000 <hex>	
		DATA_UPDTAB SPB8N500	FFFF7FFF <hex>	
		DATA_UPDTAB SPB8N500	FFFF7FFF <hex>	
		DATA_UPDTAB SPB8N500	C0000000 <hex>	
		DATA_UPDTAB SPB8N500	C0000000 <hex>	
		DATA_UPDTAB SPB8N500	F0670005 <hex>	
		DATA_UPDTAB SPB8N500	C0000000 <hex>	
		DATA_UPDTAB SPB8N500	F0670005 <hex>	
		DATA_UPDTAB SPB8N500	C0000000 <hex>	
		DATA_UPDTAB SPB8N500	0 <hex>	
		DATA_UPDTAB SPB8N500	0 <hex>	
		DATA_UPDTAB SPB8N500	0 <hex>	
		DATA_UPDTAB SPB8N500	1 <hex>	
		DATA_UPDTAB SPB8N500	1 <hex>	
		DATA_UPDTAB SPB8N500	6B <hex>	
		DATA_UPDTAB SPB8N500	A8F00000 <hex>	
		DATA_UPDTAB SPB8N500	C080FFFF <hex>	
		TC Control Flags :		
			GBM IL DSE	

		Subsch. ID : 370		
		Det. descr. : UPDATE CONTENTS OF A TABLE		

SPIRE ON, DPU_START - Switch ON the redundant SPIRE units
 File: H_COP_SPI_RSON.xls
 Author: L.Lucas-hp



Step No.	Time	Activity/Remarks	TC/TLM	Display/ Branch
	ET=+00.00.01 UT=+00.00.01	UPDATE_TABLE		
		UPDATE_TABLE	SCB02500	
		Command Parameter(s) :		
		TABLEID_UPDTAB SPB8N500	5 <hex>	
		INDEX_UPDTAB SPB6N500	76C <hex>	
		N_UPDTAB SPB7N500	38 <dec>	
		DATA_UPDTAB SPB8N500	7FEE <hex>	
		DATA_UPDTAB SPB8N500	7FE0 <hex>	
		DATA_UPDTAB SPB8N500	FFFFFFC18 <hex>	
		DATA_UPDTAB SPB8N500	FFFFFFB1E0 <hex>	
		DATA_UPDTAB SPB8N500	C0000000 <hex>	
		DATA_UPDTAB SPB8N500	C0000000 <hex>	
		DATA_UPDTAB SPB8N500	F067000D <hex>	
		DATA_UPDTAB SPB8N500	C0000000 <hex>	
		DATA_UPDTAB SPB8N500	F067000D <hex>	
		DATA_UPDTAB SPB8N500	C0000000 <hex>	
		DATA_UPDTAB SPB8N500	F067000D <hex>	
		DATA_UPDTAB SPB8N500	C0000000 <hex>	
		DATA_UPDTAB SPB8N500	0 <hex>	
		DATA_UPDTAB SPB8N500	0 <hex>	
		DATA_UPDTAB SPB8N500	0 <hex>	
		DATA_UPDTAB SPB8N500	0 <hex>	
		DATA_UPDTAB SPB8N500	2 <hex>	
		DATA_UPDTAB SPB8N500	1E <hex>	
		DATA_UPDTAB SPB8N500	7 <hex>	
		DATA_UPDTAB SPB8N500	6C <hex>	
		DATA_UPDTAB SPB8N500	98600000 <hex>	
		DATA_UPDTAB SPB8N500	80800001 <hex>	
		DATA_UPDTAB SPB8N500	1 <hex>	
		DATA_UPDTAB SPB8N500	1 <hex>	
		DATA_UPDTAB SPB8N500	0 <hex>	
		DATA_UPDTAB SPB8N500	0 <hex>	
		DATA_UPDTAB SPB8N500	0 <hex>	
		DATA_UPDTAB SPB8N500	0 <hex>	
		DATA_UPDTAB SPB8N500	0 <hex>	
		DATA_UPDTAB SPB8N500	E0FE6706 <hex>	
		DATA_UPDTAB SPB8N500	C0000000 <hex>	
		DATA_UPDTAB SPB8N500	0 <hex>	
		DATA_UPDTAB SPB8N500	0 <hex>	
		DATA_UPDTAB SPB8N500	1 <hex>	
		DATA_UPDTAB SPB8N500	3 <hex>	
		DATA_UPDTAB SPB8N500	6D <hex>	
		DATA_UPDTAB SPB8N500	98600000 <hex>	
		DATA_UPDTAB SPB8N500	80820001 <hex>	
		DATA_UPDTAB SPB8N500	1 <hex>	
		TC Control Flags :		
			GBM IL DSE	

		Subsch. ID : 370		
		Det. descr. : UPDATE CONTENTS OF A TABLE		

SPIRE ON, DPU_START - Switch ON the redundant SPIRE units
 File: H_COP_SPI_RSON.xls
 Author: L.Lucas-hp



Step No.	Time	Activity/Remarks	TC/TLM	Display/ Branch
	ET=+00.00.01 UT=+00.00.01	UPDATE_TABLE	SCB02500	
		UPDATE_TABLE		
		Command Parameter(s) :		
		TABLEID_UPDTAB SPB5N500	5 <hex>	
		INDEX_UPDTAB SPB6N500	8C2 <hex>	
		N_UPDTAB SPB7N500	38 <dec>	
		DATA_UPDTAB SPB8N500	8080000F <hex>	
		DATA_UPDTAB SPB8N500	E <hex>	
		DATA_UPDTAB SPB8N500	140015 <hex>	
		DATA_UPDTAB SPB8N500	120013 <hex>	
		DATA_UPDTAB SPB8N500	100011 <hex>	
		DATA_UPDTAB SPB8N500	80009 <hex>	
		DATA_UPDTAB SPB8N500	60007 <hex>	
		DATA_UPDTAB SPB8N500	40005 <hex>	
		DATA_UPDTAB SPB8N500	20003 <hex>	
		DATA_UPDTAB SPB8N500	0 <hex>	
		DATA_UPDTAB SPB8N500	E0FE6706 <hex>	
		DATA_UPDTAB SPB8N500	C0000000 <hex>	
		DATA_UPDTAB SPB8N500	0 <hex>	
		DATA_UPDTAB SPB8N500	0 <hex>	
		DATA_UPDTAB SPB8N500	1 <hex>	
		DATA_UPDTAB SPB8N500	3 <hex>	
		DATA_UPDTAB SPB8N500	7F <hex>	
		DATA_UPDTAB SPB8N500	40070005 <hex>	
		DATA_UPDTAB SPB8N500	8080000F <hex>	
		DATA_UPDTAB SPB8N500	E <hex>	
		DATA_UPDTAB SPB8N500	140015 <hex>	
		DATA_UPDTAB SPB8N500	120013 <hex>	
		DATA_UPDTAB SPB8N500	100011 <hex>	
		DATA_UPDTAB SPB8N500	80009 <hex>	
		DATA_UPDTAB SPB8N500	60007 <hex>	
		DATA_UPDTAB SPB8N500	40005 <hex>	
		DATA_UPDTAB SPB8N500	20003 <hex>	
		DATA_UPDTAB SPB8N500	0 <hex>	
		DATA_UPDTAB SPB8N500	E0FF0000 <hex>	
		DATA_UPDTAB SPB8N500	C0000000 <hex>	
		DATA_UPDTAB SPB8N500	0 <hex>	
		DATA_UPDTAB SPB8N500	0 <hex>	
		DATA_UPDTAB SPB8N500	1 <hex>	
		DATA_UPDTAB SPB8N500	1 <hex>	
		DATA_UPDTAB SPB8N500	80 <hex>	
		DATA_UPDTAB SPB8N500	40070007 <hex>	
		DATA_UPDTAB SPB8N500	8080000F <hex>	
		DATA_UPDTAB SPB8N500	E <hex>	
		TC Control Flags :		
			GBM IL DSE	

		Subsch. ID : 370		
		Det. descr. : UPDATE CONTENTS OF A TABLE		

SPIRE ON, DPU_START - Switch ON the redundant SPIRE units
 File: H_COP_SPI_RSON.xls
 Author: L.Lucas-hp



Step No.	Time	Activity/Remarks	TC/TLM	Display/ Branch
		DATA_UPDTAB SPB8N500 DATA_UPDTAB SPB8N500 TC Control Flags : GBM IL DSE ---- Subsch. ID : 370 Det. descr. : UPDATE CONTENTS OF A TABLE	40070008 <hex> 40070009 <hex>	
	ET+=00.00.01 UT+=00.00.01	UPDATE_TABLE Command Parameter(s) : TABLEID_UPDTAB SPB5N500 INDEX_UPDTAB SPB6N500 N_UPDTAB SPB7N500 DATA_UPDTAB SPB8N500 DATA_UPDTAB SPB8N500 TC Control Flags : GBM IL DSE ---- Subsch. ID : 370 Det. descr. : UPDATE CONTENTS OF A TABLE	UPDATE_TABLE SCB02500 1 <hex> 106 <hex> 2 <dec> 4107000A <hex> 4007000A <hex>	
	ET+=00.00.01 UT+=00.00.01	UPDATE_TABLE Command Parameter(s) : TABLEID_UPDTAB SPB5N500 INDEX_UPDTAB SPB6N500 N_UPDTAB SPB7N500 DATA_UPDTAB SPB8N500 DATA_UPDTAB SPB8N500 TC Control Flags : GBM IL DSE ---- Subsch. ID : 370 Det. descr. : UPDATE CONTENTS OF A TABLE	UPDATE_TABLE SCB02500 1 <hex> 11B <hex> 2 <dec> 4107000B <hex> 4007000B <hex>	
	ET+=00.00.01 UT+=00.00.01	UPDATE_TABLE Command Parameter(s) : TABLEID_UPDTAB SPB5N500 INDEX_UPDTAB SPB6N500 N_UPDTAB SPB7N500 DATA_UPDTAB SPB8N500 DATA_UPDTAB SPB8N500 TC Control Flags : GBM IL DSE ---- Subsch. ID : 370 Det. descr. : UPDATE CONTENTS OF A TABLE	UPDATE_TABLE SCB02500 1 <hex> 15B <hex> 2 <dec> 4107000C <hex> 4007000C <hex>	

SPIRE ON, DPU_START - Switch ON the redundant SPIRE units
 File: H_COP_SPI_RSON.xls
 Author: L.Lucas-hp



Step No.	Time	Activity/Remarks	TC/TLM	Display/ Branch
	ET=+00.00.05 UT=+00.00.05	DEFINE_NEW_HK_REPORT DEFINE_NEW_HK_REPORT Command Parameter(s) : HKPCKTID_DEFINENEWHK SPR0N500 HKSID_DEFINENEWHK SPR1N500 HKINTERVAL_DEFINENEWHK SPR2N500 HKREPEAT_DEFINENEWHK SPR3N500 TABLEID_DEFINENEWHK SPR4N500 TC Control Flags : GBM IL DSE --- -- --- Subsch. ID : 370 Det. descr. : DEFINE NEW HOUSEKEEPING PARAMETER REPORT	SCR00500 301 <hex> 301 <hex> 3e8 <hex> 1 <hex> 1 <hex>	
	ET=+00.00.02 UT=+00.00.02	REPORT_TABLE REPORT_TABLE Command Parameter(s) : TABLEID_REPTAB SPB2N500 INDEX_REPTAB SPB3N500 COUNT_REPTAB SPB4N500 TC Control Flags : GBM IL DSE --- -- --- Subsch. ID : 370 Det. descr. : REQUEST TM PACKETS REPORTING CONTENTS OF A TABLE	SCB01500 0 <hex> 0 <hex> 0 <hex>	
	ET=+00.00.02 UT=+00.00.02	REPORT_TABLE REPORT_TABLE Command Parameter(s) : TABLEID_REPTAB SPB2N500 INDEX_REPTAB SPB3N500 COUNT_REPTAB SPB4N500 TC Control Flags : GBM IL DSE --- -- --- Subsch. ID : 370 Det. descr. : REQUEST TM PACKETS REPORTING CONTENTS OF A TABLE	SCB01500 1 <hex> 0 <hex> 0 <hex>	
	ET=+00.00.04 UT=+00.00.04	REPORT_TABLE REPORT_TABLE Command Parameter(s) : TABLEID_REPTAB SPB2N500 INDEX_REPTAB SPB3N500 COUNT_REPTAB SPB4N500 TC Control Flags : GBM IL DSE --- -- --- Subsch. ID : 370 Det. descr. : REQUEST TM PACKETS REPORTING CONTENTS OF A TABLE	SCB01500 5 <hex> 0 <hex> 0 <hex>	

SPIRE ON, DPU_START - Switch ON the redundant SPIRE units
 File: H_COP_SPI_RSON.xls
 Author: L.Lucas-hp



Step No.	Time	Activity/Remarks	TC/TLM	Display/ Branch						
	ET=+00.00.06 UT=+00.00.06	REPORT_TABLE REPORT_TABLE Command Parameter(s) : <table border="0"> <tr><td>TABLEID_REPTAB</td><td>SPB2N500</td></tr> <tr><td>INDEX_REPTAB</td><td>SPB3N500</td></tr> <tr><td>COUNT_REPTAB</td><td>SPB4N500</td></tr> </table> TC Control Flags : GBM IL DSE --- -- --- Subsch. ID : 370 Det. descr. : REQUEST TM PACKETS REPORTING CONTENTS OF A TABLE	TABLEID_REPTAB	SPB2N500	INDEX_REPTAB	SPB3N500	COUNT_REPTAB	SPB4N500	SCB01500 a <hex> 0 <hex> 0 <hex>	
TABLEID_REPTAB	SPB2N500									
INDEX_REPTAB	SPB3N500									
COUNT_REPTAB	SPB4N500									
	ET=+00.00.02 UT=+00.00.02	REPORT_TABLE REPORT_TABLE Command Parameter(s) : <table border="0"> <tr><td>TABLEID_REPTAB</td><td>SPB2N500</td></tr> <tr><td>INDEX_REPTAB</td><td>SPB3N500</td></tr> <tr><td>COUNT_REPTAB</td><td>SPB4N500</td></tr> </table> TC Control Flags : GBM IL DSE --- -- --- Subsch. ID : 370 Det. descr. : REQUEST TM PACKETS REPORTING CONTENTS OF A TABLE	TABLEID_REPTAB	SPB2N500	INDEX_REPTAB	SPB3N500	COUNT_REPTAB	SPB4N500	SCB01500 32 <hex> 0 <hex> 0 <hex>	
TABLEID_REPTAB	SPB2N500									
INDEX_REPTAB	SPB3N500									
COUNT_REPTAB	SPB4N500									
	ET=+00.00.02 UT=+00.00.02	REPORT_TABLE REPORT_TABLE Command Parameter(s) : <table border="0"> <tr><td>TABLEID_REPTAB</td><td>SPB2N500</td></tr> <tr><td>INDEX_REPTAB</td><td>SPB3N500</td></tr> <tr><td>COUNT_REPTAB</td><td>SPB4N500</td></tr> </table> TC Control Flags : GBM IL DSE --- -- --- Subsch. ID : 370 Det. descr. : REQUEST TM PACKETS REPORTING CONTENTS OF A TABLE	TABLEID_REPTAB	SPB2N500	INDEX_REPTAB	SPB3N500	COUNT_REPTAB	SPB4N500	SCB01500 33 <hex> 0 <hex> 0 <hex>	
TABLEID_REPTAB	SPB2N500									
INDEX_REPTAB	SPB3N500									
COUNT_REPTAB	SPB4N500									
	ET=+00.00.02 UT=+00.00.02	REPORT_TABLE REPORT_TABLE Command Parameter(s) : <table border="0"> <tr><td>TABLEID_REPTAB</td><td>SPB2N500</td></tr> <tr><td>INDEX_REPTAB</td><td>SPB3N500</td></tr> <tr><td>COUNT_REPTAB</td><td>SPB4N500</td></tr> </table> TC Control Flags : GBM IL DSE --- -- --- Subsch. ID : 370 Det. descr. : REQUEST TM PACKETS REPORTING CONTENTS OF A TABLE	TABLEID_REPTAB	SPB2N500	INDEX_REPTAB	SPB3N500	COUNT_REPTAB	SPB4N500	SCB01500 34 <hex> 0 <hex> 0 <hex>	
TABLEID_REPTAB	SPB2N500									
INDEX_REPTAB	SPB3N500									
COUNT_REPTAB	SPB4N500									

SPIRE ON, DPU_START - Switch ON the redundant SPIRE units
 File: H_COP_SPI_RSON.xls
 Author: L.Lucas-hp



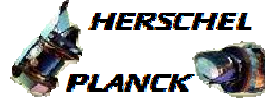
Step No.	Time	Activity/Remarks	TC/TLM	Display/ Branch											
	ET=+00.00.04 UT=+00.00.04	REPORT_TABLE REPORT_TABLE Command Parameter(s) : <table border="0"> <tr><td>TABLEID_REPTAB</td><td>SPB2N500</td><td>51 <hex></td></tr> <tr><td>INDEX_REPTAB</td><td>SPB3N500</td><td>0 <hex></td></tr> <tr><td>COUNT_REPTAB</td><td>SPB4N500</td><td>0 <hex></td></tr> </table> TC Control Flags : <table border="0"> <tr><td>GBM IL DSE</td></tr> <tr><td>--- -- ---</td></tr> </table> Subsch. ID : 370 Det. descr. : REQUEST TM PACKETS REPORTING CONTENTS OF A TABLE	TABLEID_REPTAB	SPB2N500	51 <hex>	INDEX_REPTAB	SPB3N500	0 <hex>	COUNT_REPTAB	SPB4N500	0 <hex>	GBM IL DSE	--- -- ---	SCB01500	
TABLEID_REPTAB	SPB2N500	51 <hex>													
INDEX_REPTAB	SPB3N500	0 <hex>													
COUNT_REPTAB	SPB4N500	0 <hex>													
GBM IL DSE															
--- -- ---															
	ET=+00.00.04 UT=+00.00.04	REPORT_TABLE REPORT_TABLE Command Parameter(s) : <table border="0"> <tr><td>TABLEID_REPTAB</td><td>SPB2N500</td><td>52 <hex></td></tr> <tr><td>INDEX_REPTAB</td><td>SPB3N500</td><td>0 <hex></td></tr> <tr><td>COUNT_REPTAB</td><td>SPB4N500</td><td>0 <hex></td></tr> </table> TC Control Flags : <table border="0"> <tr><td>GBM IL DSE</td></tr> <tr><td>--- -- ---</td></tr> </table> Subsch. ID : 370 Det. descr. : REQUEST TM PACKETS REPORTING CONTENTS OF A TABLE	TABLEID_REPTAB	SPB2N500	52 <hex>	INDEX_REPTAB	SPB3N500	0 <hex>	COUNT_REPTAB	SPB4N500	0 <hex>	GBM IL DSE	--- -- ---	SCB01500	
TABLEID_REPTAB	SPB2N500	52 <hex>													
INDEX_REPTAB	SPB3N500	0 <hex>													
COUNT_REPTAB	SPB4N500	0 <hex>													
GBM IL DSE															
--- -- ---															
	ET=+00.00.04 UT=+00.00.04	REPORT_TABLE REPORT_TABLE Command Parameter(s) : <table border="0"> <tr><td>TABLEID_REPTAB</td><td>SPB2N500</td><td>53 <hex></td></tr> <tr><td>INDEX_REPTAB</td><td>SPB3N500</td><td>0 <hex></td></tr> <tr><td>COUNT_REPTAB</td><td>SPB4N500</td><td>0 <hex></td></tr> </table> TC Control Flags : <table border="0"> <tr><td>GBM IL DSE</td></tr> <tr><td>--- -- ---</td></tr> </table> Subsch. ID : 370 Det. descr. : REQUEST TM PACKETS REPORTING CONTENTS OF A TABLE	TABLEID_REPTAB	SPB2N500	53 <hex>	INDEX_REPTAB	SPB3N500	0 <hex>	COUNT_REPTAB	SPB4N500	0 <hex>	GBM IL DSE	--- -- ---	SCB01500	
TABLEID_REPTAB	SPB2N500	53 <hex>													
INDEX_REPTAB	SPB3N500	0 <hex>													
COUNT_REPTAB	SPB4N500	0 <hex>													
GBM IL DSE															
--- -- ---															
	ET=+00.00.04 UT=+00.00.04	REPORT_TABLE REPORT_TABLE Command Parameter(s) : <table border="0"> <tr><td>TABLEID_REPTAB</td><td>SPB2N500</td><td>64 <hex></td></tr> <tr><td>INDEX_REPTAB</td><td>SPB3N500</td><td>0 <hex></td></tr> <tr><td>COUNT_REPTAB</td><td>SPB4N500</td><td>0 <hex></td></tr> </table> TC Control Flags : <table border="0"> <tr><td>GBM IL DSE</td></tr> <tr><td>--- -- ---</td></tr> </table> Subsch. ID : 370 Det. descr. : REQUEST TM PACKETS REPORTING CONTENTS OF A TABLE	TABLEID_REPTAB	SPB2N500	64 <hex>	INDEX_REPTAB	SPB3N500	0 <hex>	COUNT_REPTAB	SPB4N500	0 <hex>	GBM IL DSE	--- -- ---	SCB01500	
TABLEID_REPTAB	SPB2N500	64 <hex>													
INDEX_REPTAB	SPB3N500	0 <hex>													
COUNT_REPTAB	SPB4N500	0 <hex>													
GBM IL DSE															
--- -- ---															

SPIRE ON, DPU_START - Switch ON the redundant SPIRE units
 File: H_COP_SPI_RSON.xls
 Author: L.Lucas-hp



Step No.	Time	Activity/Remarks	TC/TLM	Display/ Branch
10.2		TM checks		<input type="checkbox"/>
		Verify Telemetry is updating every second TM2N SMT1N500	Incrementing	AND=SA_7_559
		Verify Telemetry is updating every second THSK SM00T500	Incrementing	AND=SA_7_559
		Verify Telemetry MODE SM00M500	= DPU_ON	AND=SA_6_559
TC Seq. Name :HCSRSONQ (Default End) TimeTag Type: Sub Schedule ID: <input type="checkbox"/>				
11		Set default end conditions		Next Step: END
		Note that a TM(5,1) [New_Step_Report] is generated after every SET_OBS_STEP TC		
	ET=+ UT=+00.00.00	SET_OBS_STEP Command Parameter(s) : OBSERVATION_STEP SP03N500 Subsch. ID : 370 Det. descr. : SET OBSERVATION STEP	SC003500 0 <hex>	
	ET=+ UT=+00.00.01	SET_BBID Command Parameter(s) : BUILDING_BLOCK_ID SP01N500 Subsch. ID : 370 Det. descr. : SET BUILDING BLOCK IDENTIFIER	SC001500 80030001 <hex>	
		Verify Telemetry BBFULLTYPE SM2LN500	= EndObs	AND=ZAZ96999
	ET=+ UT=+00.00.00	SET_OBS_STEP Command Parameter(s) : OBSERVATION_STEP SP03N500 Subsch. ID : 370 Det. descr. : SET OBSERVATION STEP	SC003500 1 <hex>	

SPIRE ON, DPU_START - Switch ON the redundant SPIRE units
 File: H_COP_SPI_RSON.xls
 Author: L.Lucas-hp



Step No.	Time	Activity/Remarks	TC/TLM	Display/ Branch	
	ET=+ UT=+00.00.01	SET_OBSID Command Parameter(s) : OBSERVATION_ID Subsch. ID : 370 Det. descr. : SET OBSERVATION IDENTIFIER	SET_OBSID SP00N500 00000000 <hex>	SC000500	
		Verify Telemetry OBSID	SM10N500 = 00000000 <hex>	AND=ZAZ96999	
	ET=+ UT=+00.00.00	SET_OBS_STEP Command Parameter(s) : OBSERVATION_STEP Subsch. ID : 370 Det. descr. : SET OBSERVATION STEP	SET_OBS_STEP SP03N500 0 <hex>	SC003500	
	ET=+ UT=+00.00.01	SET_BBID Command Parameter(s) : BUILDING_BLOCK_ID Subsch. ID : 370 Det. descr. : SET BUILDING BLOCK IDENTIFIER	SET_BBID SP01N500 80000000 <hex>	SC001500	
		Verify Telemetry BBFULLTYPE	SM2LN500 = Null	AND=ZAZ96999	
		Verify Telemetry SPIRE_NomRed	DED53161 = REDUNDANT	AND=ZAZ96999	
		Verify Telemetry SPIREB_OnOff	DED21161 = ON	AND=ZAZ96999	
		Verify Telemetry SPIREB_ValidInv	DED25161 = Valid	AND=ZAZ96999	
End of Procedure					