

SPIRE_SDET_ON Mode Trans switch Spectrometer ON
 File: H_COP_SPI_MSPN.xls
 Author: L.Lucas-hp



Procedure Summary

Objectives

This is a mode transition procedure. The purpose of this procedure is to switch the Spectrometer detectors ON.

Based on procedure:
 Name:SDET_ON
 Version number:3
 Generated:27/03/2009

Summary of Constraints

n/a

Spacecraft Configuration

Start of Procedure Mode = SMEC_INIT

End of Procedure Mode = SPECSTBY

Reference File(s)

Input Command Sequences

Output Command Sequences
 HCSMSPN

Referenced Displays

ANDs **GRDs** **SLDs**
 SA_6_559
 SA_7_559
 ZAZ90999

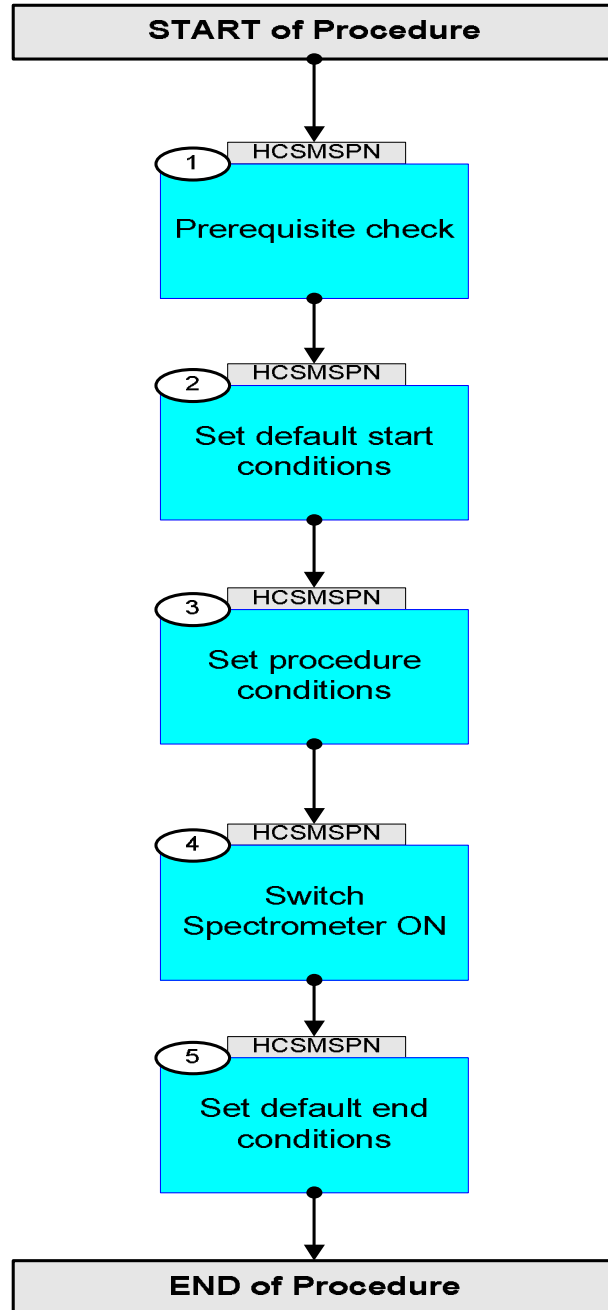
Configuration Control Information

| DATE | FOP ISSUE | VERSION | MODIFICATION DESCRIPTION | AUTHOR | SPR REF |
|----------|-----------|---------|--------------------------|------------|---------|
| 19/04/09 | 2.3 | 1 | Created | L.Lucas-hp | |
| 04/05/09 | 2.4 | 2 | Remove ET | L.Lucas-hp | |

SPIRE_SDET_ON Mode Trans switch Spectrometer ON
File: H_COP_SPI_MSPN.xls
Author: L.Lucas-hp



Procedure Flowchart Overview



SPIRE_SDET_ON Mode Trans switch Spectrometer ON
 File: H_COP_SPI_MSPN.xls
 Author: L.Lucas-hp



| Step No. | Time | Activity/Remarks | TC/TLM | Display/ Branch |
|---|------|--|--------|--------------------------|
| Beginning of Procedure | | | | |
| TC Seq. Name : HCSMSPN (Mode Trans SDET_ON) | | | | |
| TimeTag Type: Y Sub Schedule ID: <input type="checkbox"/> | | | | |
| 1 | | Prerequisite check | | Next Step: 2 |
| 1.1 | | HSC/ICC input | | <input type="checkbox"/> |
| | | Verify that the HSC has supplied a valid OBSID value: OBS_ID = 0xnnnn nnnn | | |
| 1.2 | | Verify TM | | <input type="checkbox"/> |
| | | Verify Telemetry MODE SM00M500 = SMEC_INIT | | AND=SA_6_559 |
| | | Verify Telemetry SLIABITSTAT SM_1X520 = OFF | | AND=SA_6_559 |
| | | Verify Telemetry SPECJFETSTAT SMF0F510 = 0 <hex> | | AND=SA_6_559 |
| | | Verify Telemetry SSWJFET1V SM00V510 = 0.0 V | | AND=SA_6_559 |
| | | Verify Telemetry SSWJFET2V SM01V510 = 0.0 V | | AND=SA_6_559 |
| | | Verify Telemetry SLWJFET1V SM10V510 = 0.0 V | | AND=SA_6_559 |
| | | Verify Telemetry SLIAP5V SML3V510 = 0.0 V | | AND=SA_7_559 |
| | | Verify Telemetry SLIAP9V SML4V510 = 0.0 V | | AND=SA_7_559 |
| | | Verify Telemetry SLIAM9V SML5V510 = 0.0 V | | AND=SA_7_559 |
| 2 | | Set default start conditions | | Next Step: 3 |
| | | Note that a TM(5,1) packet [New_Step_Report] is generated after each of the following SET_OBS_STEP telecommands | | |

SPIRE_SDET_ON Mode Trans switch Spectrometer ON
 File: H_COP_SPI_MSPN.xls
 Author: L.Lucas-hp



| Step No. | Time | Activity/Remarks | TC/TLM | Display/ Branch |
|----------|----------------------|---|--------------------------------|-----------------|
| | ET=+ UT=+00.00.00 | SET_OBS_STEP SET_OBS_STEP Command Parameter(s) : OBSERVATION_STEP SP03N500 Subsch. ID : 370 Det. descr. : SET OBSERVATION STEP | SC003500 0 <hex> | |
| | ET=+ UT=+00.00.01 | SET_BBID SET_BBID Command Parameter(s) : BUILDING_BLOCK_ID SP01N500 Subsch. ID : 370 Det. descr. : SET BUILDING BLOCK IDENTIFIER | SC001500 80010001 <hex> | |
| | | Verify Telemetry BBFULLTYPE SM2LN500 | = ClearObs | AND=ZAZ90999 |
| | ET=+ UT=+00.00.00 | SET_OBS_STEP SET_OBS_STEP Command Parameter(s) : OBSERVATION_STEP SP03N500 Subsch. ID : 370 Det. descr. : SET OBSERVATION STEP | SC003500 1 <hex> | |
| | ET=+ UT=+00.00.01 | SET_OBSID SET_OBSID Command Parameter(s) : OBSERVATION_ID SP00N500 Subsch. ID : 370 Det. descr. : SET OBSERVATION IDENTIFIER | SC000500 00000000 <hex> | |
| | | Verify Telemetry OBSID SM10N500 | = 00000000 <hex> | AND=ZAZ90999 |
| | ET=+ UT=+00.00.00 | SET_OBS_STEP SET_OBS_STEP Command Parameter(s) : OBSERVATION_STEP SP03N500 Subsch. ID : 370 Det. descr. : SET OBSERVATION STEP | SC003500 0 <hex> | |
| | ET=+ UT=+00.00.01 | SET_BBID SET_BBID Command Parameter(s) : BUILDING_BLOCK_ID SP01N500 Subsch. ID : 370 Det. descr. : SET BUILDING BLOCK IDENTIFIER | SC001500 80000000 <hex> | |

SPIRE_SDET_ON Mode Trans switch Spectrometer ON
 File: H_COP_SPI_MSPN.xls
 Author: L.Lucas-hp



| Step No. | Time | Activity/Remarks | TC/TLM | Display/ Branch |
|----------|----------------------|--|--------------------------------|-----------------|
| | | Verify Telemetry BBFULLTYPE SM2LN500 | = Null | AND=ZAZ90999 |
| | ET=+ UT=+00.00.00 | SET_OBS_STEP SET_OBS_STEP Command Parameter(s) : OBSERVATION_STEP SP03N500 Subsch. ID : 370 Det. descr. : SET OBSERVATION STEP | SC003500 0 <hex> | |
| | ET=+ UT=+00.00.01 | SET_BBID SET_BBID Command Parameter(s) : BUILDING_BLOCK_ID SP01N500 Subsch. ID : 370 Det. descr. : SET BUILDING BLOCK IDENTIFIER | SC001500 80020001 <hex> | |
| | | Verify Telemetry BBFULLTYPE SM2LN500 | = StartObs | AND=ZAZ90999 |
| 3 | | Set procedure conditions | | Next Step: 4 |
| | ET=+ UT=+00.00.00 | RESET_DRCU_COUNTERS RESET_DRCU_COUNTERS Subsch. ID : 370 Det. descr. : RESET DRCU COUNTERS | SCD00505 | |
| | | Verify that the TRESET parameter has the same value as the THSK parameter TRESET SM01T500 | same as THSK | AND=ZAZ90999 |
| | | THSK SM00T500 | any | AND=ZAZ90999 |
| | | Note that a TM(5,1) packet [New_Step_Report] is generated after each of the following SET_OBS_STEP telecommands | | |
| | ET=+ UT=+00.00.00 | SET_OBS_STEP SET_OBS_STEP Command Parameter(s) : OBSERVATION_STEP SP03N500 Subsch. ID : 370 Det. descr. : SET OBSERVATION STEP | SC003500 1 <hex> | |
| | ET=+ UT=+00.00.01 | SET_OBSID SET_OBSID Command Parameter(s) : OBSERVATION_ID SP00N500 Subsch. ID : 370 Det. descr. : SET OBSERVATION IDENTIFIER | SC000500 OBS_ID | |

SPIRE_SDET_ON Mode Trans switch Spectrometer ON
 File: H_COP_SPI_MSPN.xls
 Author: L.Lucas-hp



| Step No. | Time | Activity/Remarks | TC/TLM | Display/ Branch |
|----------|----------------------|---|----------------------------|-----------------|
| | | Verify Telemetry OBSID SM10N500 | OBS_ID | AND=ZAZ90999 |
| | ET=+ UT=+00.00.00 | SET_OBS_STEP SET_OBS_STEP Command Parameter(s) : OBSERVATION_STEP SP03N500 Subsch. ID : 370 Det. descr. : SET OBSERVATION STEP | SC003500 0 <hex> | |
| | ET=+ UT=+00.00.01 | SET_BBID SET_BBID Command Parameter(s) : BUILDING_BLOCK_ID SP01N500 Subsch. ID : 370 Det. descr. : SET BUILDING BLOCK IDENTIFIER | SC001500 80000000 <hex> | |
| | | Verify Telemetry BBFULLTYPE SM2LN500 | = Null | AND=ZAZ90999 |
| | ET=+ UT=+00.00.00 | SET_OBS_STEP SET_OBS_STEP Command Parameter(s) : OBSERVATION_STEP SP03N500 TC Control Flags : GBM IL DSE --Y -- --- Subsch. ID : 370 Det. descr. : SET OBSERVATION STEP | SC003500 0 <hex> | |
| | ET=+ UT=+00.00.01 | SET_BBID SET_BBID Command Parameter(s) : BUILDING_BLOCK_ID SP01N500 Subsch. ID : 370 Det. descr. : SET BUILDING BLOCK IDENTIFIER | SC001500 86000001 <hex> | |
| | | Verify Telemetry BBFULLTYPE SM2LN500 | = SF_BDA_On | AND=ZAZ90999 |
| 4 | | Switch Spectrometer ON | | Next Step: 5 |

SPIRE_SDET_ON Mode Trans switch Spectrometer ON
 File: H_COP_SPI_MSPN.xls
 Author: L.Lucas-hp



| Step No. | Time | Activity/Remarks | TC/TLM | Display/ Branch |
|----------|----------------------|--|---|-----------------|
| | ET=+ UT=+00.00.02 | SET_OBS_MODE SET_OBS_MODE Command Parameter(s) : OBSERVING_MODE SP02N500 TC Control Flags : GBM IL DSE --Y -- --- Subsch. ID : 370 Det. descr. : SET OBSERVING MODE | SC002500 206 <hex> | |
| | ET=+ UT=+00.00.01 | SET_OBS_STEP SET_OBS_STEP Command Parameter(s) : OBSERVATION_STEP SP03N500 TC Control Flags : GBM IL DSE --- -- --- Subsch. ID : 370 Det. descr. : SET OBSERVATION STEP | SC003500 1 <hex> | |
| | ET=+ UT=+00.00.01 | SEND_DRCU_COMMAND SEND_DRCU_COMMAND Command Parameter(s) : DRCUCOMMAND SPD4N505 OVERRIDE SPD9N505 TC Control Flags : GBM IL DSE --- -- --- Subsch. ID : 370 Det. descr. : SEND A SINGLE COMMAND TO THE DRCU | SCD06505 a0870006 <hex> 0 <hex> (Def) | |
| | ET=+ UT=+00.00.00 | SEND_DRCU_COMMAND SEND_DRCU_COMMAND Command Parameter(s) : DRCUCOMMAND SPD4N505 OVERRIDE SPD9N505 TC Control Flags : GBM IL DSE --- -- --- Subsch. ID : 370 Det. descr. : SEND A SINGLE COMMAND TO THE DRCU | SCD06505 843000ff <hex> 0 <hex> (Def) | |

SPIRE_SDET_ON Mode Trans switch Spectrometer ON
 File: H_COP_SPI_MSPN.xls
 Author: L.Lucas-hp



| Step No. | Time | Activity/Remarks | TC/TLM | Display/ Branch |
|----------|----------------------|--|---|-----------------|
| | ET=+ UT=+00.00.01 | SEND_DRCU_COMMAND SEND_DRCU_COMMAND Command Parameter(s) : DRCUCOMMAND SPD4N505 OVERRIDE SPD9N505 TC Control Flags : GBM IL DSE --- -- --- Subsch. ID : 370 Det. descr. : SEND A SINGLE COMMAND TO THE DRCU | SCD06505 84390079 <hex> 0 <hex> (Def) | |
| | ET=+ UT=+00.00.00 | SEND_DRCU_COMMAND SEND_DRCU_COMMAND Command Parameter(s) : DRCUCOMMAND SPD4N505 OVERRIDE SPD9N505 TC Control Flags : GBM IL DSE --- -- --- Subsch. ID : 370 Det. descr. : SEND A SINGLE COMMAND TO THE DRCU | SCD06505 84380001 <hex> 0 <hex> (Def) | |
| | ET=+ UT=+00.00.01 | SEND_DRCU_COMMAND SEND_DRCU_COMMAND Command Parameter(s) : DRCUCOMMAND SPD4N505 OVERRIDE SPD9N505 TC Control Flags : GBM IL DSE --- -- --- Subsch. ID : 370 Det. descr. : SEND A SINGLE COMMAND TO THE DRCU | SCD06505 84310002 <hex> 0 <hex> (Def) | |
| | ET=+ UT=+00.00.00 | SEND_DRCU_COMMAND SEND_DRCU_COMMAND Command Parameter(s) : DRCUCOMMAND SPD4N505 OVERRIDE SPD9N505 TC Control Flags : GBM IL DSE --- -- --- Subsch. ID : 370 Det. descr. : SEND A SINGLE COMMAND TO THE DRCU | SCD06505 84320002 <hex> 0 <hex> (Def) | |

SPIRE_SDET_ON Mode Trans switch Spectrometer ON
 File: H_COP_SPI_MSPN.xls
 Author: L.Lucas-hp



| Step No. | Time | Activity/Remarks | TC/TLM | Display/ Branch |
|----------|----------------------|--|---|-----------------|
| | ET=+ UT=+00.00.01 | SEND_DRCU_COMMAND SEND_DRCU_COMMAND Command Parameter(s) : DRCUCOMMAND SPD4N505 OVERRIDE SPD9N505 TC Control Flags : GBM IL DSE --- -- --- Subsch. ID : 370 Det. descr. : SEND A SINGLE COMMAND TO THE DRCU | SCD06505 843a0080 <hex> 0 <hex> (Def) | |
| | ET=+ UT=+00.00.00 | SEND_DRCU_COMMAND SEND_DRCU_COMMAND Command Parameter(s) : DRCUCOMMAND SPD4N505 OVERRIDE SPD9N505 TC Control Flags : GBM IL DSE --- -- --- Subsch. ID : 370 Det. descr. : SEND A SINGLE COMMAND TO THE DRCU | SCD06505 843b0080 <hex> 0 <hex> (Def) | |
| | ET=+ UT=+00.00.01 | SEND_DRCU_COMMAND SEND_DRCU_COMMAND Command Parameter(s) : DRCUCOMMAND SPD4N505 OVERRIDE SPD9N505 TC Control Flags : GBM IL DSE --- -- --- Subsch. ID : 370 Det. descr. : SEND A SINGLE COMMAND TO THE DRCU | SCD06505 843c0014 <hex> 0 <hex> (Def) | |
| | ET=+ UT=+00.00.00 | SEND_DRCU_COMMAND SEND_DRCU_COMMAND Command Parameter(s) : DRCUCOMMAND SPD4N505 OVERRIDE SPD9N505 TC Control Flags : GBM IL DSE --- -- --- Subsch. ID : 370 Det. descr. : SEND A SINGLE COMMAND TO THE DRCU | SCD06505 843e0001 <hex> 0 <hex> (Def) | |

SPIRE_SDET_ON Mode Trans switch Spectrometer ON
 File: H_COP_SPI_MSPN.xls
 Author: L.Lucas-hp



| Step No. | Time | Activity/Remarks | TC/TLM | Display/ Branch |
|----------|----------------------|--|---|-----------------|
| | ET=+ UT=+00.00.02 | SEND_DRCU_COMMAND SEND_DRCU_COMMAND Command Parameter(s) : DRCUCOMMAND SPD4N505 OVERRIDE SPD9N505 TC Control Flags : GBM IL DSE --- -- --- Subsch. ID : 370 Det. descr. : SEND A SINGLE COMMAND TO THE DRCU | SCD06505 843e0000 <hex> 0 <hex> (Def) | |
| | ET=+ UT=+00.00.00 | SEND_DRCU_COMMAND SEND_DRCU_COMMAND Command Parameter(s) : DRCUCOMMAND SPD4N505 OVERRIDE SPD9N505 TC Control Flags : GBM IL DSE --- -- --- Subsch. ID : 370 Det. descr. : SEND A SINGLE COMMAND TO THE DRCU | SCD06505 843c001c <hex> 0 <hex> (Def) | |
| | ET=+ UT=+00.00.01 | SEND_DRCU_COMMAND SEND_DRCU_COMMAND Command Parameter(s) : DRCUCOMMAND SPD4N505 OVERRIDE SPD9N505 TC Control Flags : GBM IL DSE --- -- --- Subsch. ID : 370 Det. descr. : SEND A SINGLE COMMAND TO THE DRCU | SCD06505 843e0001 <hex> 0 <hex> (Def) | |
| | ET=+ UT=+00.00.03 | SEND_DRCU_COMMAND SEND_DRCU_COMMAND Command Parameter(s) : DRCUCOMMAND SPD4N505 OVERRIDE SPD9N505 TC Control Flags : GBM IL DSE --- -- --- Subsch. ID : 370 Det. descr. : SEND A SINGLE COMMAND TO THE DRCU | SCD06505 843e0000 <hex> 0 <hex> (Def) | |

SPIRE_SDET_ON Mode Trans switch Spectrometer ON
 File: H_COP_SPI_MSPN.xls
 Author: L.Lucas-hp



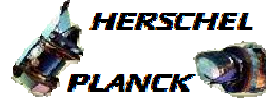
| Step No. | Time | Activity/Remarks | TC/TLM | Display/ Branch |
|----------|----------------------|--|---|-----------------|
| | ET=+ UT=+00.00.00 | <p>FLUSH_FIFO</p> <p style="text-align: right;">FLUSH_FIFO</p> <p>Command Parameter(s) :</p> <p style="text-align: right;">FIFOFLAGS SPD0N505</p> <p>TC Control Flags :</p> <p style="text-align: right;">GBM IL DSE --- -- ---</p> <p>Subsch. ID : 370 Det. descr. : FORCE DPU TO READ SCIENCE DATA FROM FIFOS AND FLUSH CONTENTS</p> | <p>SCD01505</p> <p>1000 <hex></p> | |
| | ET=+ UT=+00.00.01 | <p>SEND_DRCU_COMMAND</p> <p style="text-align: right;">SEND_DRCU_COMMAND</p> <p>Command Parameter(s) :</p> <p style="text-align: right;">DRCUCOMMAND SPD4N505 OVERRIDE SPD9N505</p> <p>TC Control Flags :</p> <p style="text-align: right;">GBM IL DSE --- -- ---</p> <p>Subsch. ID : 370 Det. descr. : SEND A SINGLE COMMAND TO THE DRCU</p> | <p>SCD06505</p> <p>843c0004 <hex> 0 <hex> (Def)</p> | |
| | ET=+ UT=+00.00.00 | <p>SEND_DRCU_COMMAND</p> <p style="text-align: right;">SEND_DRCU_COMMAND</p> <p>Command Parameter(s) :</p> <p style="text-align: right;">DRCUCOMMAND SPD4N505 OVERRIDE SPD9N505</p> <p>TC Control Flags :</p> <p style="text-align: right;">GBM IL DSE --- -- ---</p> <p>Subsch. ID : 370 Det. descr. : SEND A SINGLE COMMAND TO THE DRCU</p> | <p>SCD06505</p> <p>843d0000 <hex> 0 <hex> (Def)</p> | |
| | ET=+ UT=+00.00.01 | <p>SEND_DRCU_COMMAND</p> <p style="text-align: right;">SEND_DRCU_COMMAND</p> <p>Command Parameter(s) :</p> <p style="text-align: right;">DRCUCOMMAND SPD4N505 OVERRIDE SPD9N505</p> <p>TC Control Flags :</p> <p style="text-align: right;">GBM IL DSE --- -- ---</p> <p>Subsch. ID : 370 Det. descr. : SEND A SINGLE COMMAND TO THE DRCU</p> | <p>SCD06505</p> <p>843e0001 <hex> 0 <hex> (Def)</p> | |

SPIRE_SDET_ON Mode Trans switch Spectrometer ON
 File: H_COP_SPI_MSPN.xls
 Author: L.Lucas-hp



| Step No. | Time | Activity/Remarks | TC/TLM | Display/ Branch |
|----------|----------------------|--|---|-----------------|
| | ET=+ UT=+00.00.04 | SEND_DRCU_COMMAND SEND_DRCU_COMMAND Command Parameter(s) : DRCUCOMMAND SPD4N505 OVERRIDE SPD9N505 TC Control Flags : GBM IL DSE --- -- --- Subsch. ID : 370 Det. descr. : SEND A SINGLE COMMAND TO THE DRCU | SCD06505 8435004c <hex> 0 <hex> (Def) | |
| | ET=+ UT=+00.00.00 | SEND_DRCU_COMMAND SEND_DRCU_COMMAND Command Parameter(s) : DRCUCOMMAND SPD4N505 OVERRIDE SPD9N505 TC Control Flags : GBM IL DSE --- -- --- Subsch. ID : 370 Det. descr. : SEND A SINGLE COMMAND TO THE DRCU | SCD06505 84370002 <hex> 0 <hex> (Def) | |
| | ET=+ UT=+00.00.01 | SEND_DRCU_COMMAND SEND_DRCU_COMMAND Command Parameter(s) : DRCUCOMMAND SPD4N505 OVERRIDE SPD9N505 TC Control Flags : GBM IL DSE --- -- --- Subsch. ID : 370 Det. descr. : SEND A SINGLE COMMAND TO THE DRCU | SCD06505 8436004c <hex> 0 <hex> (Def) | |
| | ET=+ UT=+00.00.00 | SEND_DRCU_COMMAND SEND_DRCU_COMMAND Command Parameter(s) : DRCUCOMMAND SPD4N505 OVERRIDE SPD9N505 TC Control Flags : GBM IL DSE --- -- --- Subsch. ID : 370 Det. descr. : SEND A SINGLE COMMAND TO THE DRCU | SCD06505 84370006 <hex> 0 <hex> (Def) | |

SPIRE_SDET_ON Mode Trans switch Spectrometer ON
 File: H_COP_SPI_MSPN.xls
 Author: L.Lucas-hp



| Step No. | Time | Activity/Remarks | TC/TLM | Display/ Branch |
|----------|----------------------|--|---|-----------------|
| | ET=+ UT=+00.00.01 | SEND_DRCU_COMMAND SEND_DRCU_COMMAND Command Parameter(s) : DRCUCOMMAND SPD4N505 OVERRIDE SPD9N505 TC Control Flags : GBM IL DSE --- -- --- Subsch. ID : 370 Det. descr. : SEND A SINGLE COMMAND TO THE DRCU | SCD06505 8434004c <hex> 0 <hex> (Def) | |
| | ET=+ UT=+00.00.00 | SEND_DRCU_COMMAND SEND_DRCU_COMMAND Command Parameter(s) : DRCUCOMMAND SPD4N505 OVERRIDE SPD9N505 TC Control Flags : GBM IL DSE --- -- --- Subsch. ID : 370 Det. descr. : SEND A SINGLE COMMAND TO THE DRCU | SCD06505 84370007 <hex> 0 <hex> (Def) | |
| | ET=+ UT=+00.00.30 | SEND_DRCU_COMMAND SEND_DRCU_COMMAND Command Parameter(s) : DRCUCOMMAND SPD4N505 OVERRIDE SPD9N505 TC Control Flags : GBM IL DSE --- -- --- Subsch. ID : 370 Det. descr. : SEND A SINGLE COMMAND TO THE DRCU | SCD06505 8431002d <hex> 0 <hex> (Def) | |
| | ET=+ UT=+00.00.01 | SEND_DRCU_COMMAND SEND_DRCU_COMMAND Command Parameter(s) : DRCUCOMMAND SPD4N505 OVERRIDE SPD9N505 TC Control Flags : GBM IL DSE --- -- --- Subsch. ID : 370 Det. descr. : SEND A SINGLE COMMAND TO THE DRCU | SCD06505 8432002d <hex> 0 <hex> (Def) | |

SPIRE_SDET_ON Mode Trans switch Spectrometer ON
 File: H_COP_SPI_MSPN.xls
 Author: L.Lucas-hp



| Step No. | Time | Activity/Remarks | TC/TLM | Display/ Branch |
|----------|----------------------|--|---|-----------------|
| | ET=+ UT=+00.00.01 | SEND_DRCU_COMMAND SEND_DRCU_COMMAND Command Parameter(s) : DRCUCOMMAND SPD4N505 OVERRIDE SPD9N505 TC Control Flags : GBM IL DSE --- -- --- Subsch. ID : 370 Det. descr. : SEND A SINGLE COMMAND TO THE DRCU | SCD06505 843e0000 <hex> 0 <hex> (Def) | |
| | ET=+ UT=+00.00.01 | FLUSH_FIFO FLUSH_FIFO Command Parameter(s) : FIFOFLAGS SPD0N505 TC Control Flags : GBM IL DSE --- -- --- Subsch. ID : 370 Det. descr. : FORCE DPU TO READ SCIENCE DATA FROM FIFOS AND FLUSH CONTENTS | SCD01505 1000 <hex> | |
| | ET=+ UT=+00.00.03 | SEND_DRCU_COMMAND SEND_DRCU_COMMAND Command Parameter(s) : DRCUCOMMAND SPD4N505 OVERRIDE SPD9N505 TC Control Flags : GBM IL DSE --- -- --- Subsch. ID : 370 Det. descr. : SEND A SINGLE COMMAND TO THE DRCU | SCD06505 843c0014 <hex> 0 <hex> (Def) | |
| | ET=+ UT=+00.00.00 | SEND_DRCU_COMMAND SEND_DRCU_COMMAND Command Parameter(s) : DRCUCOMMAND SPD4N505 OVERRIDE SPD9N505 TC Control Flags : GBM IL DSE --- -- --- Subsch. ID : 370 Det. descr. : SEND A SINGLE COMMAND TO THE DRCU | SCD06505 843e0001 <hex> 0 <hex> (Def) | |

SPIRE_SDET_ON Mode Trans switch Spectrometer ON
 File: H_COP_SPI_MSPN.xls
 Author: L.Lucas-hp



| Step No. | Time | Activity/Remarks | TC/TLM | Display/ Branch |
|----------|----------------------|--|---|-----------------|
| | ET=+ UT=+00.00.02 | SEND_DRCU_COMMAND SEND_DRCU_COMMAND Command Parameter(s) : DRCUCOMMAND SPD4N505 OVERRIDE SPD9N505 TC Control Flags : GBM IL DSE --- -- --- Subsch. ID : 370 Det. descr. : SEND A SINGLE COMMAND TO THE DRCU | SCD06505 843e0000 <hex> 0 <hex> (Def) | |
| | ET=+ UT=+00.00.00 | SEND_DRCU_COMMAND SEND_DRCU_COMMAND Command Parameter(s) : DRCUCOMMAND SPD4N505 OVERRIDE SPD9N505 TC Control Flags : GBM IL DSE --- -- --- Subsch. ID : 370 Det. descr. : SEND A SINGLE COMMAND TO THE DRCU | SCD06505 843c001c <hex> 0 <hex> (Def) | |
| | ET=+ UT=+00.00.01 | SEND_DRCU_COMMAND SEND_DRCU_COMMAND Command Parameter(s) : DRCUCOMMAND SPD4N505 OVERRIDE SPD9N505 TC Control Flags : GBM IL DSE --- -- --- Subsch. ID : 370 Det. descr. : SEND A SINGLE COMMAND TO THE DRCU | SCD06505 843e0001 <hex> 0 <hex> (Def) | |
| | ET=+ UT=+00.00.03 | SEND_DRCU_COMMAND SEND_DRCU_COMMAND Command Parameter(s) : DRCUCOMMAND SPD4N505 OVERRIDE SPD9N505 TC Control Flags : GBM IL DSE --- -- --- Subsch. ID : 370 Det. descr. : SEND A SINGLE COMMAND TO THE DRCU | SCD06505 843e0000 <hex> 0 <hex> (Def) | |

SPIRE_SDET_ON Mode Trans switch Spectrometer ON
 File: H_COP_SPI_MSPN.xls
 Author: L.Lucas-hp



| Step No. | Time | Activity/Remarks | TC/TLM | Display/ Branch |
|----------|----------------------|--|--|-----------------|
| | ET=+ UT=+00.00.00 | <p>FLUSH_FIFO</p> <p style="text-align: right;">FLUSH_FIFO</p> <p>Command Parameter(s) :</p> <p style="text-align: center;">FIFOFLAGS SPD0N505</p> <p>TC Control Flags :</p> <p style="text-align: right;">GBM IL DSE --- -- ---</p> <p>Subsch. ID : 370 Det. descr. : FORCE DPU TO READ SCIENCE DATA FROM FIFOS AND FLUSH CONTENTS</p> | <p>SCD01505</p> <p>1000 <hex></p> | |
| | ET=+ UT=+00.00.01 | <p>SEND_DRCU_COMMAND</p> <p style="text-align: right;">SEND_DRCU_COMMAND</p> <p>Command Parameter(s) :</p> <p style="text-align: center;">DRCUCOMMAND SPD4N505 OVERRIDE SPD9N505</p> <p>TC Control Flags :</p> <p style="text-align: right;">GBM IL DSE --- -- ---</p> <p>Subsch. ID : 370 Det. descr. : SEND A SINGLE COMMAND TO THE DRCU</p> | <p>SCD06505</p> <p>843c0004 <hex> 0 <hex> (Def)</p> | |
| | ET=+ UT=+00.00.00 | <p>SEND_DRCU_COMMAND</p> <p style="text-align: right;">SEND_DRCU_COMMAND</p> <p>Command Parameter(s) :</p> <p style="text-align: center;">DRCUCOMMAND SPD4N505 OVERRIDE SPD9N505</p> <p>TC Control Flags :</p> <p style="text-align: right;">GBM IL DSE --- -- ---</p> <p>Subsch. ID : 370 Det. descr. : SEND A SINGLE COMMAND TO THE DRCU</p> | <p>SCD06505</p> <p>843d0000 <hex> 0 <hex> (Def)</p> | |
| | ET=+ UT=+00.00.01 | <p>SEND_DRCU_COMMAND</p> <p style="text-align: right;">SEND_DRCU_COMMAND</p> <p>Command Parameter(s) :</p> <p style="text-align: center;">DRCUCOMMAND SPD4N505 OVERRIDE SPD9N505</p> <p>TC Control Flags :</p> <p style="text-align: right;">GBM IL DSE --- -- ---</p> <p>Subsch. ID : 370 Det. descr. : SEND A SINGLE COMMAND TO THE DRCU</p> | <p>SCD06505</p> <p>843e0001 <hex> 0 <hex> (Def)</p> | |

SPIRE_SDET_ON Mode Trans switch Spectrometer ON
 File: H_COP_SPI_MSPN.xls
 Author: L.Lucas-hp



| Step No. | Time | Activity/Remarks | TC/TLM | Display/ Branch |
|----------|----------------------|--|---|-----------------|
| | ET=+ UT=+00.00.30 | SEND_DRCU_COMMAND SEND_DRCU_COMMAND Command Parameter(s) : DRCUCOMMAND SPD4N505 OVERRIDE SPD9N505 TC Control Flags : GBM IL DSE --- -- --- Subsch. ID : 370 Det. descr. : SEND A SINGLE COMMAND TO THE DRCU | SCD06505 84350052 <hex> 0 <hex> (Def) | |
| | ET=+ UT=+00.00.00 | SEND_DRCU_COMMAND SEND_DRCU_COMMAND Command Parameter(s) : DRCUCOMMAND SPD4N505 OVERRIDE SPD9N505 TC Control Flags : GBM IL DSE --- -- --- Subsch. ID : 370 Det. descr. : SEND A SINGLE COMMAND TO THE DRCU | SCD06505 84360066 <hex> 0 <hex> (Def) | |
| | ET=+ UT=+00.00.01 | SEND_DRCU_COMMAND SEND_DRCU_COMMAND Command Parameter(s) : DRCUCOMMAND SPD4N505 OVERRIDE SPD9N505 TC Control Flags : GBM IL DSE --- -- --- Subsch. ID : 370 Det. descr. : SEND A SINGLE COMMAND TO THE DRCU | SCD06505 84340052 <hex> 0 <hex> (Def) | |
| | ET=+ UT=+00.00.01 | SET_OBS_MODE SET_OBS_MODE Command Parameter(s) : OBSERVING_MODE SP02N500 TC Control Flags : GBM IL DSE --- -- --- Subsch. ID : 370 Det. descr. : SET OBSERVING MODE | SC002500 400 <hex> | |

SPIRE_SDET_ON Mode Trans switch Spectrometer ON
 File: H_COP_SPI_MSPN.xls
 Author: L.Lucas-hp



| Step No. | Time | Activity/Remarks | TC/TLM | Display/ Branch |
|----------|----------------------|---|--------------------------------|--------------------------|
| | ET=+ UT=+00.00.01 | SET_OBS_STEP SET_OBS_STEP Command Parameter(s) : OBSERVATION_STEP SP03N500 TC Control Flags : GBM IL DSE --- -- --- Subsch. ID : 370 Det. descr. : SET OBSERVATION STEP | SC003500 0 <hex> | |
| | ET=+ UT=+00.00.00 | SET_BBID SET_BBID Command Parameter(s) : BUILDING_BLOCK_ID SP01N500 TC Control Flags : GBM IL DSE --- -- --- Subsch. ID : 370 Det. descr. : SET BUILDING BLOCK IDENTIFIER | SC001500 80000000 <hex> | |
| 4.1 | | Verify TM | | <input type="checkbox"/> |
| | | TMCHECK SLIAP5V should be -5V | | |
| | | SPACON Select the TM Display for FUNCTIONAL TEST PARAMETERS | | |
| | | Verify Telemetry MODE SM00M500 | = SPECSTBY | AND=SA_6_559 |
| | | Verify Telemetry SLIABITSTAT SM_1X520 | = ON | AND=SA_6_559 |
| | | Verify Telemetry SPECJFETSTAT SMF0F510 | = 7 <hex> | AND=SA_6_559 |
| | | Verify Telemetry is between these nominal values (approx) SSWJFET1V SM00V510 | < -1.0 V > -3.0 V | AND=SA_6_559 |
| | | Verify Telemetry is between these nominal values (approx) SSWJFET2V SM01V510 | < -1.0 V > -3.0 V | AND=SA_6_559 |
| | | Verify Telemetry is between these nominal values (approx) SLWJFET1V SM10V510 | < -1.0 V > -3.0 V | AND=SA_6_559 |
| | | Verify Telemetry is approx SLIAP5V SML3V510 | = 5.0 V | AND=SA_7_559 |
| | | Verify Telemetry is approx SLIAP9V SML4V510 | = 11.5 V | AND=SA_7_559 |

SPIRE_SDET_ON Mode Trans switch Spectrometer ON
 File: H_COP_SPI_MSPN.xls
 Author: L.Lucas-hp



| Step No. | Time | Activity/Remarks | TC/TLM | Display/ Branch |
|----------|----------------------|---|--|-------------------|
| | | Verify Telemetry is approx SLIAM9V SML5V510 | = - 11.5 V | AND=SA_7_559 |
| 5 | | Set default end conditions | | Next Step: END |
| | | Note that a TM(5,1) packet [New_Step_Report] is generated after each of the following SET_OBS_STEP telecommands | | |
| | ET=+ UT=+00.00.00 | SET_OBS_STEP Command Parameter(s) : OBSERVATION_STEP SP03N500 Subsch. ID : 370 Det. descr. : SET OBSERVATION STEP | SET_OBS_STEP SC003500 0 <hex> | |
| | ET=+ UT=+00.00.01 | SET_BBID Command Parameter(s) : BUILDING_BLOCK_ID SP01N500 Subsch. ID : 370 Det. descr. : SET BUILDING BLOCK IDENTIFIER | SET_BBID SC001500 80000000 <hex> | |
| | | Verify Telemetry BBFULLTYPE SM2LN500 | = Null | AND=ZAZ90999 |
| | ET=+ UT=+00.00.00 | SET_OBS_STEP Command Parameter(s) : OBSERVATION_STEP SP03N500 Subsch. ID : 370 Det. descr. : SET OBSERVATION STEP | SET_OBS_STEP SC003500 0 <hex> | |
| | ET=+ UT=+00.00.01 | SET_BBID Command Parameter(s) : BUILDING_BLOCK_ID SP01N500 Subsch. ID : 370 Det. descr. : SET BUILDING BLOCK IDENTIFIER | SET_BBID SC001500 80030001 <hex> | |
| | | Verify Telemetry BBFULLTYPE SM2LN500 | = EndObs | AND=ZAZ90999 |
| | ET=+ UT=+00.00.00 | SET_OBS_STEP Command Parameter(s) : OBSERVATION_STEP SP03N500 Subsch. ID : 370 Det. descr. : SET OBSERVATION STEP | SET_OBS_STEP SC003500 1 <hex> | |

SPIRE_SDET_ON Mode Trans switch Spectrometer ON
 File: H_COP_SPI_MSPN.xls
 Author: L.Lucas-hp



| Step No. | Time | Activity/Remarks | TC/TLM | Display/ Branch |
|-------------------------|----------------------|--|---|-----------------|
| | ET=+ UT=+00.00.01 | SET_OBSID Command Parameter(s) : OBSERVATION_ID Subsch. ID : 370 Det. descr. : SET OBSERVATION IDENTIFIER | SET_OBSID SC000500 SP00N500 00000000 <hex> | |
| | | Verify Telemetry OBSID SM10N500 | = 00000000 <hex> | AND=ZAZ90999 |
| | ET=+ UT=+00.00.00 | SET_OBS_STEP Command Parameter(s) : OBSERVATION_STEP Subsch. ID : 370 Det. descr. : SET OBSERVATION STEP | SET_OBS_STEP SC003500 SP03N500 0 <hex> | |
| | ET=+ UT=+00.00.01 | SET_BBID Command Parameter(s) : BUILDING_BLOCK_ID Subsch. ID : 370 Det. descr. : SET BUILDING BLOCK IDENTIFIER | SET_BBID SC001500 SP01N500 80000000 <hex> | |
| | | Verify Telemetry BBFULLTYPE SM2LN500 | = Null | AND=ZAZ90999 |
| End of Procedure | | | | |