

SPIRE_PDET_ON Mode Trans
 File: H_COP_SPI_MPHN.xls
 Author: L.Lucas-hp



Procedure Summary

Objectives

This is a mode transition procedure. The purpose of this procedure is to switch the photometer ON.

Based on procedure:
 Name: PDET_ON
 Generated: 28/06/2009

Summary of Constraints

n/a

Spacecraft Configuration

Start of Procedure

Mode = BSM_INIT

End of Procedure

Reference File(s)

Input Command Sequences

Output Command Sequences

HCSMPHN

Referenced Displays

ANDs	GRDs	SLDs
SA_6_559		(None)
SA_7_559		
ZAZ90999		

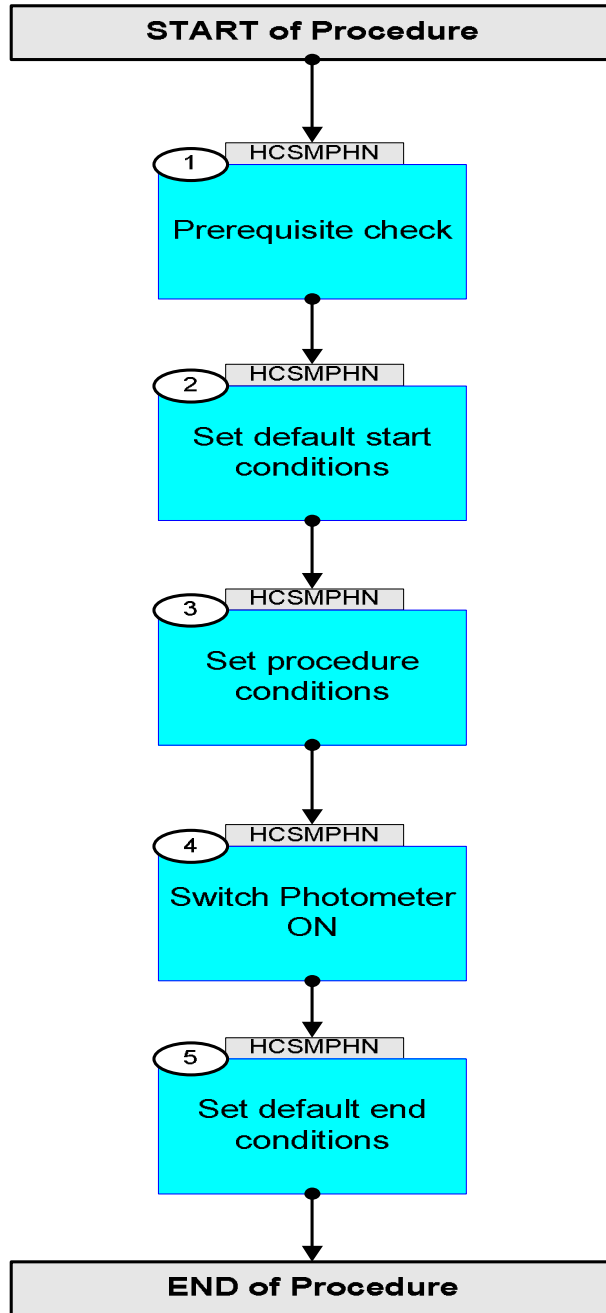
Configuration Control Information

DATE	FOP ISSUE	VERSION	MODIFICATION DESCRIPTION	AUTHOR	SPR REF
19/04/09	2.3	1	Created	L.Lucas-hp	
29/06/09	2.5	2	SPIRE	L.Lucas-hp	

SPIRE_PDET_ON Mode Trans
File: H_COP_SPI_MPHN.xls
Author: L.Lucas-hp



Procedure Flowchart Overview



SPIRE_PDET_ON Mode Trans
 File: H_COP_SPI_MPHN.xls
 Author: L.Lucas-hp



Step No.	Time	Activity/Remarks	TC/TLM	Display/ Branch
Beginning of Procedure				
TC Seq. Name : HCSMPHN (ModeTrans PDET _ON)				
TimeTag Type: Y Sub Schedule ID: <input type="checkbox"/>				
1		Prerequisite check		Next Step: 2
1.1		HSC/ICC input		<input type="checkbox"/>
		Verify that the HSC has supplied a valid OBSID value: OBS_ID = 0xnnnn nnnn		
1.2		Verify TM		<input type="checkbox"/>
		Verify Telemetry MODE SM00M500 = BSM_INIT		AND=SA_6_559
		Verify Telemetry PLIABITSTAT SM_0X520 = OFF		AND=SA_6_559
		Verify Telemetry PSWJFETSTAT SM20F510 = 0 <hex>		AND=SA_6_559
		Verify Telemetry PMLWJFETSTAT SM80F510 = 0 <hex>		AND=SA_6_559
		Verify Telemetry PSWJFET1V SM20V510 = 0.0 V		AND=SA_6_559
		Verify Telemetry PSWJFET6V SM25V510 = 0.0 V		AND=SA_6_559
		Verify Telemetry PMWJFET1V SM30V510 = 0.0 V		AND=SA_6_559
		Verify Telemetry PSWJFET4V SM23V510 = 0.0 V		AND=SA_6_559
		Verify Telemetry PLWJFET1V SM50V510 = 0.0 V		(None)
		Verify Telemetry PSWJFET2V SM21V510 = 0.0 V		AND=SA_6_559
		Verify Telemetry PLIAP5V SML0V510 = 0.0 V		AND=SA_7_559
		Verify Telemetry PLIAP9V SML1V510 = 0.0 V		AND=SA_7_559

SPIRE_PDET_ON Mode Trans
 File: H_COP_SPI_MPHN.xls
 Author: L.Lucas-hp



Step No.	Time	Activity/Remarks	TC/TLM	Display/ Branch
		Verify Telemetry PLIAM9V SML2V510	= 0.0 V	AND=SA_7_559
2		Set default start conditions		Next Step: 3
		Note that a TM(5,1) packet [New_Step_Report] is generated after each of the following SET_OBS_STEP telecommands		
		SET_OBS_STEP Command Parameter(s) : OBSERVATION_STEP SP03N500 Subsch. ID : 370 Det. descr. : SET OBSERVATION STEP	SC003500 0 <hex>	
	ET=+ UT=+00.00.01	SET_BBID Command Parameter(s) : BUILDING_BLOCK_ID SP01N500 Subsch. ID : 370 Det. descr. : SET BUILDING BLOCK IDENTIFIER	SC001500 80010001 <hex>	
		Verify Telemetry BBFULLTYPE SM2LN500	= ClearObs	AND=ZAZ90999
		SET_OBS_STEP Command Parameter(s) : OBSERVATION_STEP SP03N500 Subsch. ID : 370 Det. descr. : SET OBSERVATION STEP	SC003500 1 <hex>	
	ET=+ UT=+00.00.01	SET_OBSID Command Parameter(s) : OBSERVATION_ID SP00N500 Subsch. ID : 370 Det. descr. : SET OBSERVATION IDENTIFIER	SC000500 00000000 <hex>	
		Verify Telemetry OBSID SM10N500	= 00000000 <hex>	AND=ZAZ90999
		SET_OBS_STEP Command Parameter(s) : OBSERVATION_STEP SP03N500 Subsch. ID : 370 Det. descr. : SET OBSERVATION STEP	SC003500 0 <hex>	

SPIRE_PDET_ON Mode Trans
 File: H_COP_SPI_MPHN.xls
 Author: L.Lucas-hp



Step No.	Time	Activity/Remarks	TC/TLM	Display/ Branch
	ET=+ UT=+00.00.01	SET_BBID Command Parameter(s) : BUILDING_BLOCK_ID Subsch. ID : 370 Det. descr. : SET BUILDING BLOCK IDENTIFIER	SET_BBID SP01N500 80000000 <hex>	SC001500
		Verify Telemetry BBFULLTYPE	SM2LN500 = Null	AND=ZAZ90999
		SET_OBS_STEP Command Parameter(s) : OBSERVATION_STEP Subsch. ID : 370 Det. descr. : SET OBSERVATION STEP	SET_OBS_STEP SP03N500 0 <hex>	SC003500
	ET=+ UT=+00.00.01	SET_BBID Command Parameter(s) : BUILDING_BLOCK_ID Subsch. ID : 370 Det. descr. : SET BUILDING BLOCK IDENTIFIER	SET_BBID SP01N500 80020001 <hex>	SC001500
		Verify Telemetry BBFULLTYPE	SM2LN500 = StartObs	AND=ZAZ90999
3		Set procedure conditions		Next Step: 4
		RESET_DRCU_COUNTERS Subsch. ID : 370 Det. descr. : RESET DRCU COUNTERS	RESET_DRCU_COUNTERS	SCD00505
		Verify that the TRESET parameter has the same value as the THSK parameter TRESET	SM01T500 same as THSK	AND=ZAZ90999
		THSK	SM00T500 any	AND=ZAZ90999
		Note that a TM(5,1) packet [New_Step_Report] is generated after each of the following SET_OBS_STEP telecommands		
		SET_OBS_STEP Command Parameter(s) : OBSERVATION_STEP Subsch. ID : 370 Det. descr. : SET OBSERVATION STEP	SET_OBS_STEP SP03N500 1 <hex>	SC003500

SPIRE_PDET_ON Mode Trans
 File: H_COP_SPI_MPHN.xls
 Author: L.Lucas-hp



Step No.	Time	Activity/Remarks	TC/TLM	Display/ Branch	
	ET=+ UT=+00.00.01	SET_OBSID Command Parameter(s) : OBSERVATION_ID Subsch. ID : 370 Det. descr. : SET OBSERVATION IDENTIFIER	SET_OBSID SP00N500 OBS_ID	SC000500	
		Verify Telemetry OBSID	SM10N500	OBS_ID	AND=ZAZ90999
		SET_OBS_STEP Command Parameter(s) : OBSERVATION_STEP Subsch. ID : 370 Det. descr. : SET OBSERVATION STEP	SET_OBS_STEP SP03N500	SC003500 0 <hex>	
	ET=+ UT=+00.00.01	SET_BBID Command Parameter(s) : BUILDING_BLOCK_ID Subsch. ID : 370 Det. descr. : SET BUILDING BLOCK IDENTIFIER	SET_BBID SP01N500	SC001500 80000000 <hex>	
		Verify Telemetry BBFULLTYPE	SM2LN500	= Null	AND=ZAZ90999
		SET_OBS_STEP Command Parameter(s) : OBSERVATION_STEP TC Control Flags : Subsch. ID : 370 Det. descr. : SET OBSERVATION STEP	SET_OBS_STEP SP03N500 GBM IL DSE --Y -- ---	SC003500 0 <hex>	
	ET=+ UT=+00.00.01	SET_BBID Command Parameter(s) : BUILDING_BLOCK_ID Subsch. ID : 370 Det. descr. : SET BUILDING BLOCK IDENTIFIER	SET_BBID SP01N500	SC001500 85000001 <hex>	
		Verify Telemetry BBFULLTYPE	SM2LN500	= InitialiseBSMc	AND=ZAZ90999
4		Switch Photometer ON			Next Step: 5

SPIRE_PDET_ON Mode Trans
 File: H_COP_SPI_MPHN.xls
 Author: L.Lucas-hp



Step No.	Time	Activity/Remarks	TC/TLM	Display/ Branch
	ET=+00.00.01 UT=+	SET_OBS_MODE SET_OBS_MODE Command Parameter(s) : OBSERVING_MODE SP02N500 TC Control Flags : GBM IL DSE --Y -- --- Subsch. ID : 370 Det. descr. : SET OBSERVING MODE	SC002500 203 <hex>	
	ET=+00.00.01 UT=+00.00.01	SET_OBS_STEP SET_OBS_STEP Command Parameter(s) : OBSERVATION_STEP SP03N500 TC Control Flags : GBM IL DSE --- -- --- Subsch. ID : 370 Det. descr. : SET OBSERVATION STEP	SC003500 1 <hex>	
	ET=+00.00.01 UT=+00.00.01	SEND_DRCU_COMMAND SEND_DRCU_COMMAND Command Parameter(s) : DRCUCOMMAND SPD4N505 OVERRIDE SPD9N505 TC Control Flags : GBM IL DSE --- -- --- Subsch. ID : 370 Det. descr. : SEND A SINGLE COMMAND TO THE DRCU	SCD06505 a0870005 <hex> 0 <hex> (Def)	
	ET=+00.00.01 UT=+00.00.01	SEND_DRCU_COMMAND SEND_DRCU_COMMAND Command Parameter(s) : DRCUCOMMAND SPD4N505 OVERRIDE SPD9N505 TC Control Flags : GBM IL DSE --- -- --- Subsch. ID : 370 Det. descr. : SEND A SINGLE COMMAND TO THE DRCU	SCD06505 840000ff <hex> 0 <hex> (Def)	

SPIRE_PDET_ON Mode Trans
 File: H_COP_SPI_MPHN.xls
 Author: L.Lucas-hp



Step No.	Time	Activity/Remarks	TC/TLM	Display/ Branch
	ET=+00.00.00 UT=+00.00.00	SEND_DRCU_COMMAND SEND_DRCU_COMMAND Command Parameter(s) : DRCUCOMMAND SPD4N505 OVERRIDE SPD9N505 TC Control Flags : GBM IL DSE --- -- --- Subsch. ID : 370 Det. descr. : SEND A SINGLE COMMAND TO THE DRCU	SCD06505 84190095 <hex> 0 <hex> (Def)	
	ET=+00.00.01 UT=+00.00.01	SEND_DRCU_COMMAND SEND_DRCU_COMMAND Command Parameter(s) : DRCUCOMMAND SPD4N505 OVERRIDE SPD9N505 TC Control Flags : GBM IL DSE --- -- --- Subsch. ID : 370 Det. descr. : SEND A SINGLE COMMAND TO THE DRCU	SCD06505 84180006 <hex> 0 <hex> (Def)	
	ET=+00.00.00 UT=+00.00.00	SEND_DRCU_COMMAND SEND_DRCU_COMMAND Command Parameter(s) : DRCUCOMMAND SPD4N505 OVERRIDE SPD9N505 TC Control Flags : GBM IL DSE --- -- --- Subsch. ID : 370 Det. descr. : SEND A SINGLE COMMAND TO THE DRCU	SCD06505 84010002 <hex> 0 <hex> (Def)	
	ET=+00.00.01 UT=+00.00.01	SEND_DRCU_COMMAND SEND_DRCU_COMMAND Command Parameter(s) : DRCUCOMMAND SPD4N505 OVERRIDE SPD9N505 TC Control Flags : GBM IL DSE --- -- --- Subsch. ID : 370 Det. descr. : SEND A SINGLE COMMAND TO THE DRCU	SCD06505 84020002 <hex> 0 <hex> (Def)	

SPIRE_PDET_ON Mode Trans
 File: H_COP_SPI_MPHN.xls
 Author: L.Lucas-hp



Step No.	Time	Activity/Remarks	TC/TLM	Display/ Branch
	ET=+00.00.00 UT=+00.00.00	SEND_DRCU_COMMAND SEND_DRCU_COMMAND Command Parameter(s) : DRCUCOMMAND SPD4N505 OVERRIDE SPD9N505 TC Control Flags : GBM IL DSE --- -- --- Subsch. ID : 370 Det. descr. : SEND A SINGLE COMMAND TO THE DRCU	SCD06505 84030002 <hex> 0 <hex> (Def)	
	ET=+00.00.01 UT=+00.00.01	SEND_DRCU_COMMAND SEND_DRCU_COMMAND Command Parameter(s) : DRCUCOMMAND SPD4N505 OVERRIDE SPD9N505 TC Control Flags : GBM IL DSE --- -- --- Subsch. ID : 370 Det. descr. : SEND A SINGLE COMMAND TO THE DRCU	SCD06505 84040002 <hex> 0 <hex> (Def)	
	ET=+00.00.00 UT=+00.00.00	SEND_DRCU_COMMAND SEND_DRCU_COMMAND Command Parameter(s) : DRCUCOMMAND SPD4N505 OVERRIDE SPD9N505 TC Control Flags : GBM IL DSE --- -- --- Subsch. ID : 370 Det. descr. : SEND A SINGLE COMMAND TO THE DRCU	SCD06505 841a0081 <hex> 0 <hex> (Def)	
	ET=+00.00.01 UT=+00.00.01	SEND_DRCU_COMMAND SEND_DRCU_COMMAND Command Parameter(s) : DRCUCOMMAND SPD4N505 OVERRIDE SPD9N505 TC Control Flags : GBM IL DSE --- -- --- Subsch. ID : 370 Det. descr. : SEND A SINGLE COMMAND TO THE DRCU	SCD06505 841b0081 <hex> 0 <hex> (Def)	

SPIRE_PDET_ON Mode Trans
 File: H_COP_SPI_MPHN.xls
 Author: L.Lucas-hp



Step No.	Time	Activity/Remarks	TC/TLM	Display/ Branch
	ET=+00.00.00 UT=+00.00.00	SEND_DRCU_COMMAND SEND_DRCU_COMMAND Command Parameter(s) : DRCUCOMMAND SPD4N505 OVERRIDE SPD9N505 TC Control Flags : GBM IL DSE --- -- --- Subsch. ID : 370 Det. descr. : SEND A SINGLE COMMAND TO THE DRCU	SCD06505 841c0084 <hex> 0 <hex> (Def)	
	ET=+00.00.01 UT=+00.00.01	SEND_DRCU_COMMAND SEND_DRCU_COMMAND Command Parameter(s) : DRCUCOMMAND SPD4N505 OVERRIDE SPD9N505 TC Control Flags : GBM IL DSE --- -- --- Subsch. ID : 370 Det. descr. : SEND A SINGLE COMMAND TO THE DRCU	SCD06505 841d0091 <hex> 0 <hex> (Def)	
	ET=+00.00.01 UT=+00.00.01	SEND_DRCU_COMMAND SEND_DRCU_COMMAND Command Parameter(s) : DRCUCOMMAND SPD4N505 OVERRIDE SPD9N505 TC Control Flags : GBM IL DSE --- -- --- Subsch. ID : 370 Det. descr. : SEND A SINGLE COMMAND TO THE DRCU	SCD06505 843c0010 <hex> 0 <hex> (Def)	
	ET=+00.00.00 UT=+00.00.00	SEND_DRCU_COMMAND SEND_DRCU_COMMAND Command Parameter(s) : DRCUCOMMAND SPD4N505 OVERRIDE SPD9N505 TC Control Flags : GBM IL DSE --- -- --- Subsch. ID : 370 Det. descr. : SEND A SINGLE COMMAND TO THE DRCU	SCD06505 843e0001 <hex> 0 <hex> (Def)	

SPIRE_PDET_ON Mode Trans
 File: H_COP_SPI_MPHN.xls
 Author: L.Lucas-hp



Step No.	Time	Activity/Remarks	TC/TLM	Display/ Branch
	ET=+00.00.02 UT=+00.00.02	SEND_DRCU_COMMAND SEND_DRCU_COMMAND Command Parameter(s) : DRCUCOMMAND SPD4N505 OVERRIDE SPD9N505 TC Control Flags : GBM IL DSE --- -- --- Subsch. ID : 370 Det. descr. : SEND A SINGLE COMMAND TO THE DRCU	SCD06505 843e0000 <hex> 0 <hex> (Def)	
	ET=+00.00.00 UT=+00.00.00	SEND_DRCU_COMMAND SEND_DRCU_COMMAND Command Parameter(s) : DRCUCOMMAND SPD4N505 OVERRIDE SPD9N505 TC Control Flags : GBM IL DSE --- -- --- Subsch. ID : 370 Det. descr. : SEND A SINGLE COMMAND TO THE DRCU	SCD06505 843c0018 <hex> 0 <hex> (Def)	
	ET=+00.00.01 UT=+00.00.01	SEND_DRCU_COMMAND SEND_DRCU_COMMAND Command Parameter(s) : DRCUCOMMAND SPD4N505 OVERRIDE SPD9N505 TC Control Flags : GBM IL DSE --- -- --- Subsch. ID : 370 Det. descr. : SEND A SINGLE COMMAND TO THE DRCU	SCD06505 843e0001 <hex> 0 <hex> (Def)	
	ET=+00.00.03 UT=+00.00.03	SEND_DRCU_COMMAND SEND_DRCU_COMMAND Command Parameter(s) : DRCUCOMMAND SPD4N505 OVERRIDE SPD9N505 TC Control Flags : GBM IL DSE --- -- --- Subsch. ID : 370 Det. descr. : SEND A SINGLE COMMAND TO THE DRCU	SCD06505 843e0000 <hex> 0 <hex> (Def)	

SPIRE_PDET_ON Mode Trans
 File: H_COP_SPI_MPHN.xls
 Author: L.Lucas-hp



Step No.	Time	Activity/Remarks	TC/TLM	Display/ Branch
	ET=+00.00.03 UT=+00.00.03	SEND_DRCU_COMMAND SEND_DRCU_COMMAND Command Parameter(s) : DRCUCOMMAND SPD4N505 OVERRIDE SPD9N505 TC Control Flags : GBM IL DSE --- -- --- Subsch. ID : 370 Det. descr. : SEND A SINGLE COMMAND TO THE DRCU	SCD06505 8405004c <hex> 0 <hex> (Def)	
	ET=+00.00.00 UT=+00.00.00	SEND_DRCU_COMMAND SEND_DRCU_COMMAND Command Parameter(s) : DRCUCOMMAND SPD4N505 OVERRIDE SPD9N505 TC Control Flags : GBM IL DSE --- -- --- Subsch. ID : 370 Det. descr. : SEND A SINGLE COMMAND TO THE DRCU	SCD06505 84120001 <hex> 0 <hex> (Def)	
	ET=+00.00.01 UT=+00.00.01	SEND_DRCU_COMMAND SEND_DRCU_COMMAND Command Parameter(s) : DRCUCOMMAND SPD4N505 OVERRIDE SPD9N505 TC Control Flags : GBM IL DSE --- -- --- Subsch. ID : 370 Det. descr. : SEND A SINGLE COMMAND TO THE DRCU	SCD06505 8406004c <hex> 0 <hex> (Def)	
	ET=+00.00.00 UT=+00.00.00	SEND_DRCU_COMMAND SEND_DRCU_COMMAND Command Parameter(s) : DRCUCOMMAND SPD4N505 OVERRIDE SPD9N505 TC Control Flags : GBM IL DSE --- -- --- Subsch. ID : 370 Det. descr. : SEND A SINGLE COMMAND TO THE DRCU	SCD06505 84120003 <hex> 0 <hex> (Def)	

SPIRE_PDET_ON Mode Trans
 File: H_COP_SPI_MPHN.xls
 Author: L.Lucas-hp



Step No.	Time	Activity/Remarks	TC/TLM	Display/ Branch
	ET=+00.00.01 UT=+00.00.01	SEND_DRCU_COMMAND SEND_DRCU_COMMAND Command Parameter(s) : DRCUCOMMAND SPD4N505 OVERRIDE SPD9N505 TC Control Flags : GBM IL DSE --- -- --- Subsch. ID : 370 Det. descr. : SEND A SINGLE COMMAND TO THE DRCU	SCD06505 8407004c <hex> 0 <hex> (Def)	
	ET=+00.00.00 UT=+00.00.00	SEND_DRCU_COMMAND SEND_DRCU_COMMAND Command Parameter(s) : DRCUCOMMAND SPD4N505 OVERRIDE SPD9N505 TC Control Flags : GBM IL DSE --- -- --- Subsch. ID : 370 Det. descr. : SEND A SINGLE COMMAND TO THE DRCU	SCD06505 84120007 <hex> 0 <hex> (Def)	
	ET=+00.00.01 UT=+00.00.01	SEND_DRCU_COMMAND SEND_DRCU_COMMAND Command Parameter(s) : DRCUCOMMAND SPD4N505 OVERRIDE SPD9N505 TC Control Flags : GBM IL DSE --- -- --- Subsch. ID : 370 Det. descr. : SEND A SINGLE COMMAND TO THE DRCU	SCD06505 8408004c <hex> 0 <hex> (Def)	
	ET=+00.00.00 UT=+00.00.00	SEND_DRCU_COMMAND SEND_DRCU_COMMAND Command Parameter(s) : DRCUCOMMAND SPD4N505 OVERRIDE SPD9N505 TC Control Flags : GBM IL DSE --- -- --- Subsch. ID : 370 Det. descr. : SEND A SINGLE COMMAND TO THE DRCU	SCD06505 8412000f <hex> 0 <hex> (Def)	

SPIRE_PDET_ON Mode Trans
 File: H_COP_SPI_MPHN.xls
 Author: L.Lucas-hp



Step No.	Time	Activity/Remarks	TC/TLM	Display/ Branch
	ET=+00.00.01 UT=+00.00.01	SEND_DRCU_COMMAND SEND_DRCU_COMMAND Command Parameter(s) : DRCUCOMMAND SPD4N505 OVERRIDE SPD9N505 TC Control Flags : GBM IL DSE --- -- --- Subsch. ID : 370 Det. descr. : SEND A SINGLE COMMAND TO THE DRCU	SCD06505 8409004c <hex> 0 <hex> (Def)	
	ET=+00.00.00 UT=+00.00.00	SEND_DRCU_COMMAND SEND_DRCU_COMMAND Command Parameter(s) : DRCUCOMMAND SPD4N505 OVERRIDE SPD9N505 TC Control Flags : GBM IL DSE --- -- --- Subsch. ID : 370 Det. descr. : SEND A SINGLE COMMAND TO THE DRCU	SCD06505 8412001f <hex> 0 <hex> (Def)	
	ET=+00.00.01 UT=+00.00.01	SEND_DRCU_COMMAND SEND_DRCU_COMMAND Command Parameter(s) : DRCUCOMMAND SPD4N505 OVERRIDE SPD9N505 TC Control Flags : GBM IL DSE --- -- --- Subsch. ID : 370 Det. descr. : SEND A SINGLE COMMAND TO THE DRCU	SCD06505 840a004c <hex> 0 <hex> (Def)	
	ET=+00.00.00 UT=+00.00.00	SEND_DRCU_COMMAND SEND_DRCU_COMMAND Command Parameter(s) : DRCUCOMMAND SPD4N505 OVERRIDE SPD9N505 TC Control Flags : GBM IL DSE --- -- --- Subsch. ID : 370 Det. descr. : SEND A SINGLE COMMAND TO THE DRCU	SCD06505 8412003f <hex> 0 <hex> (Def)	

SPIRE_PDET_ON Mode Trans
 File: H_COP_SPI_MPHN.xls
 Author: L.Lucas-hp



Step No.	Time	Activity/Remarks	TC/TLM	Display/ Branch
	ET=+00.00.01 UT=+00.00.01	SEND_DRCU_COMMAND SEND_DRCU_COMMAND Command Parameter(s) : DRCUCOMMAND SPD4N505 OVERRIDE SPD9N505 TC Control Flags : GBM IL DSE --- -- --- Subsch. ID : 370 Det. descr. : SEND A SINGLE COMMAND TO THE DRCU	SCD06505 840b004c <hex> 0 <hex> (Def)	
	ET=+00.00.00 UT=+00.00.00	SEND_DRCU_COMMAND SEND_DRCU_COMMAND Command Parameter(s) : DRCUCOMMAND SPD4N505 OVERRIDE SPD9N505 TC Control Flags : GBM IL DSE --- -- --- Subsch. ID : 370 Det. descr. : SEND A SINGLE COMMAND TO THE DRCU	SCD06505 84130001 <hex> 0 <hex> (Def)	
	ET=+00.00.01 UT=+00.00.01	SEND_DRCU_COMMAND SEND_DRCU_COMMAND Command Parameter(s) : DRCUCOMMAND SPD4N505 OVERRIDE SPD9N505 TC Control Flags : GBM IL DSE --- -- --- Subsch. ID : 370 Det. descr. : SEND A SINGLE COMMAND TO THE DRCU	SCD06505 840c004c <hex> 0 <hex> (Def)	
	ET=+00.00.00 UT=+00.00.00	SEND_DRCU_COMMAND SEND_DRCU_COMMAND Command Parameter(s) : DRCUCOMMAND SPD4N505 OVERRIDE SPD9N505 TC Control Flags : GBM IL DSE --- -- --- Subsch. ID : 370 Det. descr. : SEND A SINGLE COMMAND TO THE DRCU	SCD06505 84130003 <hex> 0 <hex> (Def)	

SPIRE_PDET_ON Mode Trans
 File: H_COP_SPI_MPHN.xls
 Author: L.Lucas-hp



Step No.	Time	Activity/Remarks	TC/TLM	Display/ Branch
	ET=+00.00.01 UT=+00.00.01	SEND_DRCU_COMMAND SEND_DRCU_COMMAND Command Parameter(s) : DRCUCOMMAND SPD4N505 OVERRIDE SPD9N505 TC Control Flags : GBM IL DSE --- -- --- Subsch. ID : 370 Det. descr. : SEND A SINGLE COMMAND TO THE DRCU	SCD06505 840d004c <hex> 0 <hex> (Def)	
	ET=+00.00.00 UT=+00.00.00	SEND_DRCU_COMMAND SEND_DRCU_COMMAND Command Parameter(s) : DRCUCOMMAND SPD4N505 OVERRIDE SPD9N505 TC Control Flags : GBM IL DSE --- -- --- Subsch. ID : 370 Det. descr. : SEND A SINGLE COMMAND TO THE DRCU	SCD06505 84130007 <hex> 0 <hex> (Def)	
	ET=+00.00.01 UT=+00.00.01	SEND_DRCU_COMMAND SEND_DRCU_COMMAND Command Parameter(s) : DRCUCOMMAND SPD4N505 OVERRIDE SPD9N505 TC Control Flags : GBM IL DSE --- -- --- Subsch. ID : 370 Det. descr. : SEND A SINGLE COMMAND TO THE DRCU	SCD06505 840e004c <hex> 0 <hex> (Def)	
	ET=+00.00.00 UT=+00.00.00	SEND_DRCU_COMMAND SEND_DRCU_COMMAND Command Parameter(s) : DRCUCOMMAND SPD4N505 OVERRIDE SPD9N505 TC Control Flags : GBM IL DSE --- -- --- Subsch. ID : 370 Det. descr. : SEND A SINGLE COMMAND TO THE DRCU	SCD06505 8413000f <hex> 0 <hex> (Def)	

SPIRE_PDET_ON Mode Trans
 File: H_COP_SPI_MPHN.xls
 Author: L.Lucas-hp



Step No.	Time	Activity/Remarks	TC/TLM	Display/ Branch
	ET=+00.00.01 UT=+00.00.01	SEND_DRCU_COMMAND SEND_DRCU_COMMAND Command Parameter(s) : DRCUCOMMAND SPD4N505 OVERRIDE SPD9N505 TC Control Flags : GBM IL DSE --- -- --- Subsch. ID : 370 Det. descr. : SEND A SINGLE COMMAND TO THE DRCU	SCD06505 840f004c <hex> 0 <hex> (Def)	
	ET=+00.00.00 UT=+00.00.00	SEND_DRCU_COMMAND SEND_DRCU_COMMAND Command Parameter(s) : DRCUCOMMAND SPD4N505 OVERRIDE SPD9N505 TC Control Flags : GBM IL DSE --- -- --- Subsch. ID : 370 Det. descr. : SEND A SINGLE COMMAND TO THE DRCU	SCD06505 8413001f <hex> 0 <hex> (Def)	
	ET=+00.00.01 UT=+00.00.01	SEND_DRCU_COMMAND SEND_DRCU_COMMAND Command Parameter(s) : DRCUCOMMAND SPD4N505 OVERRIDE SPD9N505 TC Control Flags : GBM IL DSE --- -- --- Subsch. ID : 370 Det. descr. : SEND A SINGLE COMMAND TO THE DRCU	SCD06505 8410004c <hex> 0 <hex> (Def)	
	ET=+00.00.00 UT=+00.00.00	SEND_DRCU_COMMAND SEND_DRCU_COMMAND Command Parameter(s) : DRCUCOMMAND SPD4N505 OVERRIDE SPD9N505 TC Control Flags : GBM IL DSE --- -- --- Subsch. ID : 370 Det. descr. : SEND A SINGLE COMMAND TO THE DRCU	SCD06505 8413003f <hex> 0 <hex> (Def)	

SPIRE_PDET_ON Mode Trans
 File: H_COP_SPI_MPHN.xls
 Author: L.Lucas-hp



Step No.	Time	Activity/Remarks	TC/TLM	Display/ Branch
	ET=+00.00.01 UT=+00.00.01	SEND_DRCU_COMMAND SEND_DRCU_COMMAND Command Parameter(s) : DRCUCOMMAND SPD4N505 OVERRIDE SPD9N505 TC Control Flags : GBM IL DSE --- -- --- Subsch. ID : 370 Det. descr. : SEND A SINGLE COMMAND TO THE DRCU	SCD06505 8414004c <hex> 0 <hex> (Def)	
	ET=+00.00.00 UT=+00.00.00	SEND_DRCU_COMMAND SEND_DRCU_COMMAND Command Parameter(s) : DRCUCOMMAND SPD4N505 OVERRIDE SPD9N505 TC Control Flags : GBM IL DSE --- -- --- Subsch. ID : 370 Det. descr. : SEND A SINGLE COMMAND TO THE DRCU	SCD06505 8413007f <hex> 0 <hex> (Def)	
	ET=+00.00.30 UT=+00.00.30	SEND_DRCU_COMMAND SEND_DRCU_COMMAND Command Parameter(s) : DRCUCOMMAND SPD4N505 OVERRIDE SPD9N505 TC Control Flags : GBM IL DSE --- -- --- Subsch. ID : 370 Det. descr. : SEND A SINGLE COMMAND TO THE DRCU	SCD06505 8401003e <hex> 0 <hex> (Def)	
	ET=+00.00.01 UT=+00.00.01	SEND_DRCU_COMMAND SEND_DRCU_COMMAND Command Parameter(s) : DRCUCOMMAND SPD4N505 OVERRIDE SPD9N505 TC Control Flags : GBM IL DSE --- -- --- Subsch. ID : 370 Det. descr. : SEND A SINGLE COMMAND TO THE DRCU	SCD06505 8402003e <hex> 0 <hex> (Def)	

SPIRE_PDET_ON Mode Trans
 File: H_COP_SPI_MPHN.xls
 Author: L.Lucas-hp



Step No.	Time	Activity/Remarks	TC/TLM	Display/ Branch
	ET=+00.00.01 UT=+00.00.01	SEND_DRCU_COMMAND SEND_DRCU_COMMAND Command Parameter(s) : DRCUCOMMAND SPD4N505 OVERRIDE SPD9N505 TC Control Flags : GBM IL DSE --- -- --- Subsch. ID : 370 Det. descr. : SEND A SINGLE COMMAND TO THE DRCU	SCD06505 8403003e <hex> 0 <hex> (Def)	
	ET=+00.00.01 UT=+00.00.01	SEND_DRCU_COMMAND SEND_DRCU_COMMAND Command Parameter(s) : DRCUCOMMAND SPD4N505 OVERRIDE SPD9N505 TC Control Flags : GBM IL DSE --- -- --- Subsch. ID : 370 Det. descr. : SEND A SINGLE COMMAND TO THE DRCU	SCD06505 84040080 <hex> 0 <hex> (Def)	
	ET=+00.00.01 UT=+00.00.01	SEND_DRCU_COMMAND SEND_DRCU_COMMAND Command Parameter(s) : DRCUCOMMAND SPD4N505 OVERRIDE SPD9N505 TC Control Flags : GBM IL DSE --- -- --- Subsch. ID : 370 Det. descr. : SEND A SINGLE COMMAND TO THE DRCU	SCD06505 843e0000 <hex> 0 <hex> (Def)	
	ET=+00.00.01 UT=+00.00.01	FLUSH_FIFO FLUSH_FIFO Command Parameter(s) : FIFOFLAGS SPD0N505 TC Control Flags : GBM IL DSE --- -- --- Subsch. ID : 370 Det. descr. : FORCE DPU TO READ SCIENCE DATA FROM FIFOS AND FLUSH CONTENTS	SCD01505 1000 <hex>	

SPIRE_PDET_ON Mode Trans
 File: H_COP_SPI_MPHN.xls
 Author: L.Lucas-hp



Step No.	Time	Activity/Remarks	TC/TLM	Display/ Branch
	ET=+00.00.03 UT=+00.00.03	SEND_DRCU_COMMAND SEND_DRCU_COMMAND Command Parameter(s) : DRCUCOMMAND SPD4N505 OVERRIDE SPD9N505 TC Control Flags : GBM IL DSE --- -- --- Subsch. ID : 370 Det. descr. : SEND A SINGLE COMMAND TO THE DRCU	SCD06505 843c0010 <hex> 0 <hex> (Def)	
	ET=+00.00.00 UT=+00.00.00	SEND_DRCU_COMMAND SEND_DRCU_COMMAND Command Parameter(s) : DRCUCOMMAND SPD4N505 OVERRIDE SPD9N505 TC Control Flags : GBM IL DSE --- -- --- Subsch. ID : 370 Det. descr. : SEND A SINGLE COMMAND TO THE DRCU	SCD06505 843e0001 <hex> 0 <hex> (Def)	
	ET=+00.00.02 UT=+00.00.02	SEND_DRCU_COMMAND SEND_DRCU_COMMAND Command Parameter(s) : DRCUCOMMAND SPD4N505 OVERRIDE SPD9N505 TC Control Flags : GBM IL DSE --- -- --- Subsch. ID : 370 Det. descr. : SEND A SINGLE COMMAND TO THE DRCU	SCD06505 843e0000 <hex> 0 <hex> (Def)	
	ET=+00.00.00 UT=+00.00.00	SEND_DRCU_COMMAND SEND_DRCU_COMMAND Command Parameter(s) : DRCUCOMMAND SPD4N505 OVERRIDE SPD9N505 TC Control Flags : GBM IL DSE --- -- --- Subsch. ID : 370 Det. descr. : SEND A SINGLE COMMAND TO THE DRCU	SCD06505 843c0018 <hex> 0 <hex> (Def)	

SPIRE_PDET_ON Mode Trans
 File: H_COP_SPI_MPHN.xls
 Author: L.Lucas-hp



Step No.	Time	Activity/Remarks	TC/TLM	Display/ Branch
	ET=+00.00.01 UT=+00.00.01	SEND_DRCU_COMMAND SEND_DRCU_COMMAND Command Parameter(s) : DRCUCOMMAND SPD4N505 OVERRIDE SPD9N505 TC Control Flags : GBM IL DSE --- -- --- Subsch. ID : 370 Det. descr. : SEND A SINGLE COMMAND TO THE DRCU	SCD06505 843e0001 <hex> 0 <hex> (Def)	
	ET=+00.00.03 UT=+00.00.03	SEND_DRCU_COMMAND SEND_DRCU_COMMAND Command Parameter(s) : DRCUCOMMAND SPD4N505 OVERRIDE SPD9N505 TC Control Flags : GBM IL DSE --- -- --- Subsch. ID : 370 Det. descr. : SEND A SINGLE COMMAND TO THE DRCU	SCD06505 843e0000 <hex> 0 <hex> (Def)	
	ET=+00.00.00 UT=+00.00.00	FLUSH_FIFO FLUSH_FIFO Command Parameter(s) : FIFOFLAGS SPD0N505 TC Control Flags : GBM IL DSE --- -- --- Subsch. ID : 370 Det. descr. : FORCE DPU TO READ SCIENCE DATA FROM FIFOS AND FLUSH CONTENTS	SCD01505 1000 <hex>	
	ET=+00.00.01 UT=+00.00.01	SEND_DRCU_COMMAND SEND_DRCU_COMMAND Command Parameter(s) : DRCUCOMMAND SPD4N505 OVERRIDE SPD9N505 TC Control Flags : GBM IL DSE --- -- --- Subsch. ID : 370 Det. descr. : SEND A SINGLE COMMAND TO THE DRCU	SCD06505 843c0000 <hex> 0 <hex> (Def)	

SPIRE_PDET_ON Mode Trans
 File: H_COP_SPI_MPHN.xls
 Author: L.Lucas-hp



Step No.	Time	Activity/Remarks	TC/TLM	Display/ Branch
	ET=+00.00.00 UT=+00.00.00	SEND_DRCU_COMMAND SEND_DRCU_COMMAND Command Parameter(s) : DRCUCOMMAND SPD4N505 OVERRIDE SPD9N505 TC Control Flags : GBM IL DSE --- -- --- Subsch. ID : 370 Det. descr. : SEND A SINGLE COMMAND TO THE DRCU	SCD06505 843d0000 <hex> 0 <hex> (Def)	
	ET=+00.00.01 UT=+00.00.01	SEND_DRCU_COMMAND SEND_DRCU_COMMAND Command Parameter(s) : DRCUCOMMAND SPD4N505 OVERRIDE SPD9N505 TC Control Flags : GBM IL DSE --- -- --- Subsch. ID : 370 Det. descr. : SEND A SINGLE COMMAND TO THE DRCU	SCD06505 843e0001 <hex> 0 <hex> (Def)	
	ET=+00.00.30 UT=+00.00.30	SEND_DRCU_COMMAND SEND_DRCU_COMMAND Command Parameter(s) : DRCUCOMMAND SPD4N505 OVERRIDE SPD9N505 TC Control Flags : GBM IL DSE --- -- --- Subsch. ID : 370 Det. descr. : SEND A SINGLE COMMAND TO THE DRCU	SCD06505 84050052 <hex> 0 <hex> (Def)	
	ET=+00.00.00 UT=+00.00.00	SEND_DRCU_COMMAND SEND_DRCU_COMMAND Command Parameter(s) : DRCUCOMMAND SPD4N505 OVERRIDE SPD9N505 TC Control Flags : GBM IL DSE --- -- --- Subsch. ID : 370 Det. descr. : SEND A SINGLE COMMAND TO THE DRCU	SCD06505 84060047 <hex> 0 <hex> (Def)	

SPIRE_PDET_ON Mode Trans
 File: H_COP_SPI_MPHN.xls
 Author: L.Lucas-hp



Step No.	Time	Activity/Remarks	TC/TLM	Display/ Branch
	ET=+00.00.01 UT=+00.00.01	SEND_DRCU_COMMAND SEND_DRCU_COMMAND Command Parameter(s) : DRCUCOMMAND SPD4N505 OVERRIDE SPD9N505 TC Control Flags : GBM IL DSE --- -- --- Subsch. ID : 370 Det. descr. : SEND A SINGLE COMMAND TO THE DRCU	SCD06505 8407003d <hex> 0 <hex> (Def)	
	ET=+00.00.00 UT=+00.00.00	SEND_DRCU_COMMAND SEND_DRCU_COMMAND Command Parameter(s) : DRCUCOMMAND SPD4N505 OVERRIDE SPD9N505 TC Control Flags : GBM IL DSE --- -- --- Subsch. ID : 370 Det. descr. : SEND A SINGLE COMMAND TO THE DRCU	SCD06505 8408004c <hex> 0 <hex> (Def)	
	ET=+00.00.01 UT=+00.00.01	SEND_DRCU_COMMAND SEND_DRCU_COMMAND Command Parameter(s) : DRCUCOMMAND SPD4N505 OVERRIDE SPD9N505 TC Control Flags : GBM IL DSE --- -- --- Subsch. ID : 370 Det. descr. : SEND A SINGLE COMMAND TO THE DRCU	SCD06505 84090057 <hex> 0 <hex> (Def)	
	ET=+00.00.00 UT=+00.00.00	SEND_DRCU_COMMAND SEND_DRCU_COMMAND Command Parameter(s) : DRCUCOMMAND SPD4N505 OVERRIDE SPD9N505 TC Control Flags : GBM IL DSE --- -- --- Subsch. ID : 370 Det. descr. : SEND A SINGLE COMMAND TO THE DRCU	SCD06505 840a0052 <hex> 0 <hex> (Def)	

SPIRE_PDET_ON Mode Trans
 File: H_COP_SPI_MPHN.xls
 Author: L.Lucas-hp



Step No.	Time	Activity/Remarks	TC/TLM	Display/ Branch
	ET=+00.00.01 UT=+00.00.01	SEND_DRCU_COMMAND SEND_DRCU_COMMAND Command Parameter(s) : DRCUCOMMAND SPD4N505 OVERRIDE SPD9N505 TC Control Flags : GBM IL DSE --- -- --- Subsch. ID : 370 Det. descr. : SEND A SINGLE COMMAND TO THE DRCU	SCD06505 840b0057 <hex> 0 <hex> (Def)	
	ET=+00.00.00 UT=+00.00.00	SEND_DRCU_COMMAND SEND_DRCU_COMMAND Command Parameter(s) : DRCUCOMMAND SPD4N505 OVERRIDE SPD9N505 TC Control Flags : GBM IL DSE --- -- --- Subsch. ID : 370 Det. descr. : SEND A SINGLE COMMAND TO THE DRCU	SCD06505 840c0061 <hex> 0 <hex> (Def)	
	ET=+00.00.01 UT=+00.00.01	SEND_DRCU_COMMAND SEND_DRCU_COMMAND Command Parameter(s) : DRCUCOMMAND SPD4N505 OVERRIDE SPD9N505 TC Control Flags : GBM IL DSE --- -- --- Subsch. ID : 370 Det. descr. : SEND A SINGLE COMMAND TO THE DRCU	SCD06505 840d005c <hex> 0 <hex> (Def)	
	ET=+00.00.00 UT=+00.00.00	SEND_DRCU_COMMAND SEND_DRCU_COMMAND Command Parameter(s) : DRCUCOMMAND SPD4N505 OVERRIDE SPD9N505 TC Control Flags : GBM IL DSE --- -- --- Subsch. ID : 370 Det. descr. : SEND A SINGLE COMMAND TO THE DRCU	SCD06505 840e0052 <hex> 0 <hex> (Def)	

SPIRE_PDET_ON Mode Trans
 File: H_COP_SPI_MPHN.xls
 Author: L.Lucas-hp



Step No.	Time	Activity/Remarks	TC/TLM	Display/ Branch
	ET=+00.00.01 UT=+00.00.01	SEND_DRCU_COMMAND SEND_DRCU_COMMAND Command Parameter(s) : DRCUCOMMAND SPD4N505 OVERRIDE SPD9N505 TC Control Flags : GBM IL DSE --- -- --- Subsch. ID : 370 Det. descr. : SEND A SINGLE COMMAND TO THE DRCU	SCD06505 840f005c <hex> 0 <hex> (Def)	
	ET=+00.00.00 UT=+00.00.00	SEND_DRCU_COMMAND SEND_DRCU_COMMAND Command Parameter(s) : DRCUCOMMAND SPD4N505 OVERRIDE SPD9N505 TC Control Flags : GBM IL DSE --- -- --- Subsch. ID : 370 Det. descr. : SEND A SINGLE COMMAND TO THE DRCU	SCD06505 84100047 <hex> 0 <hex> (Def)	
	ET=+00.00.01 UT=+00.00.01	SEND_DRCU_COMMAND SEND_DRCU_COMMAND Command Parameter(s) : DRCUCOMMAND SPD4N505 OVERRIDE SPD9N505 TC Control Flags : GBM IL DSE --- -- --- Subsch. ID : 370 Det. descr. : SEND A SINGLE COMMAND TO THE DRCU	SCD06505 84140038 <hex> 0 <hex> (Def)	
	ET=+00.00.01 UT=+00.00.01	SET_OBS_MODE SET_OBS_MODE Command Parameter(s) : OBSERVING_MODE SP02N500 TC Control Flags : GBM IL DSE --- -- --- Subsch. ID : 370 Det. descr. : SET OBSERVING MODE	SC002500 300 <hex>	

SPIRE_PDET_ON Mode Trans
 File: H_COP_SPI_MPHN.xls
 Author: L.Lucas-hp



Step No.	Time	Activity/Remarks	TC/TLM	Display/ Branch
	ET=+00.00.00 UT=+00.00.00	SET_OBS_STEP SET_OBS_STEP Command Parameter(s) : OBSERVATION_STEP SP03N500 TC Control Flags : GBM IL DSE --- -- Subsch. ID : 370 Det. descr. : SET OBSERVATION STEP	SC003500 0 <hex>	
	ET=+00.00.01 UT=+00.00.01	SET_BBID SET_BBID Command Parameter(s) : BUILDING_BLOCK_ID SP01N500 TC Control Flags : GBM IL DSE --- -- Subsch. ID : 370 Det. descr. : SET BUILDING BLOCK IDENTIFIER	SC001500 80000000 <hex>	
4.1		Verify TM		<input type="checkbox"/>
		Verify Telemetry MODE SM00M500	= PHOTSTBY	AND=SA_6_559
		Verify Telemetry PLIABITSTAT SM_0X520	= ON	AND=SA_6_559
		Verify Telemetry PSWJFETSTAT SM20F510	= 3F <hex>	AND=SA_6_559
		Verify Telemetry PMLWJFETSTAT SM80F510	= 7F <hex>	AND=SA_6_559
		Verify Telemetry PSWJFET1V SM20V510	<= -1.0 V >= -3.0 V	AND=SA_6_559
		Verify Telemetry PSWJFET2V SM21V510	>= V <= -1.0 V	AND=SA_6_559
		Verify Telemetry is approx PSWJFET3V SM22V510	<= -1.0 V >= -3.0 V	AND=SA_6_559
		Verify Telemetry PSWJFET4V SM23V510	<= -1.0 V = -3.0 V	AND=SA_6_559
		Verify Telemetry PSWJFET5V SM24V510	<= -1.0 V >= -3.0 V	AND=SA_6_559

SPIRE_PDET_ON Mode Trans
 File: H_COP_SPI_MPHN.xls
 Author: L.Lucas-hp



Step No.	Time	Activity/Remarks	TC/TLM	Display/ Branch
		Verify Telemetry PSWJFET6V SM25V510	<= -1.0 V >= -3.0 V	AND=SA_6_559
		Verify Telemetry PLWJFET1V SM50V510	<= -1.0 V >= -3.0 V	(None)
		Verify Telemetry PSWJFET2V SM21V510	<= -1.0 V >= -3.0 V	AND=SA_6_559
		Verify Telemetry PMWJFET1V SM30V510	<= -1.0 V >= -3.0 V	AND=SA_6_559
		Verify Telemetry PMWJFET2V SM31V510	<= -1.0 V >= -3.0 V	AND=SA_6_559
		Verify Telemetry PMWJFET3V SM32V510	<= -1.0 V >= -3.0 V	AND=SA_6_559
		Verify Telemetry PMWJFET4V SM33V510	<= -1.0 V >= -3.0 V	(None)
		Verify Telemetry is approx PLIAP5V SML0V510	= 5.0 V	AND=SA_7_559
		Verify Telemetry is approx PLIAP9V SML1V510	= 11.5 V	AND=SA_7_559
		Verify Telemetry is approx PLIAM9V SML2V510	= 11.5 V	AND=SA_7_559
5		Set default end conditions		Next Step: END
		Note that a TM(5,1) packet [New_Step_Report] is generated after each of the following SET_OBS_STEP telecommands		
		SET_OBS_STEP Command Parameter(s) : OBSERVATION_STEP Subsch. ID : 370 Det. descr. : SET OBSERVATION STEP	SET_OBS_STEP SC003500 SP03N500 0 <hex>	

SPIRE_PDET_ON Mode Trans
 File: H_COP_SPI_MPHN.xls
 Author: L.Lucas-hp



Step No.	Time	Activity/Remarks	TC/TLM	Display/ Branch	
	ET=+ UT=+00.00.01	SET_BBID Command Parameter(s) : BUILDING_BLOCK_ID Subsch. ID : 370 Det. descr. : SET BUILDING BLOCK IDENTIFIER	SET_BBID SP01N500 80000000 <hex>	SC001500	
		Verify Telemetry BBFULLTYPE	SM2LN500 = Null	AND=ZAZ90999	
		SET_OBS_STEP Command Parameter(s) : OBSERVATION_STEP Subsch. ID : 370 Det. descr. : SET OBSERVATION STEP	SET_OBS_STEP SP03N500 0 <hex>	SC003500	
	ET=+ UT=+00.00.01	SET_BBID Command Parameter(s) : BUILDING_BLOCK_ID Subsch. ID : 370 Det. descr. : SET BUILDING BLOCK IDENTIFIER	SET_BBID SP01N500 80030001 <hex>	SC001500	
		Verify Telemetry BBFULLTYPE	SM2LN500 = EndObs	AND=ZAZ90999	
		SET_OBS_STEP Command Parameter(s) : OBSERVATION_STEP Subsch. ID : 370 Det. descr. : SET OBSERVATION STEP	SET_OBS_STEP SP03N500 1 <hex>	SC003500	
	ET=+ UT=+00.00.01	SET_OBSID Command Parameter(s) : OBSERVATION_ID Subsch. ID : 370 Det. descr. : SET OBSERVATION IDENTIFIER	SET_OBSID SP00N500 00000000 <hex>	SC000500	
		Verify Telemetry OBSID	SM10N500 = 00000000 <hex>	AND=ZAZ90999	

SPIRE_PDET_ON Mode Trans
 File: H_COP_SPI_MPHN.xls
 Author: L.Lucas-hp



Step No.	Time	Activity/Remarks	TC/TLM	Display/ Branch
		SET_OBS_STEP <p style="text-align: right;">SET_OBS_STEP</p> <i>Command Parameter(s) :</i> OBSERVATION_STEP SP03N500 <i>Subsch. ID : 370</i> <i>Det. descr. : SET OBSERVATION STEP</i>	SC003500 0 <hex>	
	ET=+ UT=+00.00.01	SET_BBID <p style="text-align: right;">SET_BBID</p> <i>Command Parameter(s) :</i> BUILDING_BLOCK_ID SP01N500 <i>Subsch. ID : 370</i> <i>Det. descr. : SET BUILDING BLOCK IDENTIFIER</i>	SC001500 80000000 <hex>	
		Verify Telemetry <p style="text-align: right;">BBFULLTYPE SM2LN500</p>	= Null	AND=ZAZ90999
End of Procedure				