

PDET_OFF Mode Trans Phot OFF
 File: H_COP_SPI_MPHF.xls
 Author: L.Lucas-hp



Procedure Summary

Objectives

This is a mode transition procedure. The purpose of this procedure is to switch OFF the photometer

Based on procedure:
 Name:PDET_OFF
 Version number:9
 Generated:27/03/2009

Summary of Constraints

n/a

Spacecraft Configuration

Start of Procedure

Mode =PHOTSTBY

End of Procedure

Sub-Mode = PDET_OFF

Reference File(s)

Input Command Sequences

Output Command Sequences

HCSMPHF

Referenced Displays

ANDs	GRDs	SLDs
ZAZ90999		
ZAZ92999		
SA_6_559		
SAP0_559		
SA_7_559		

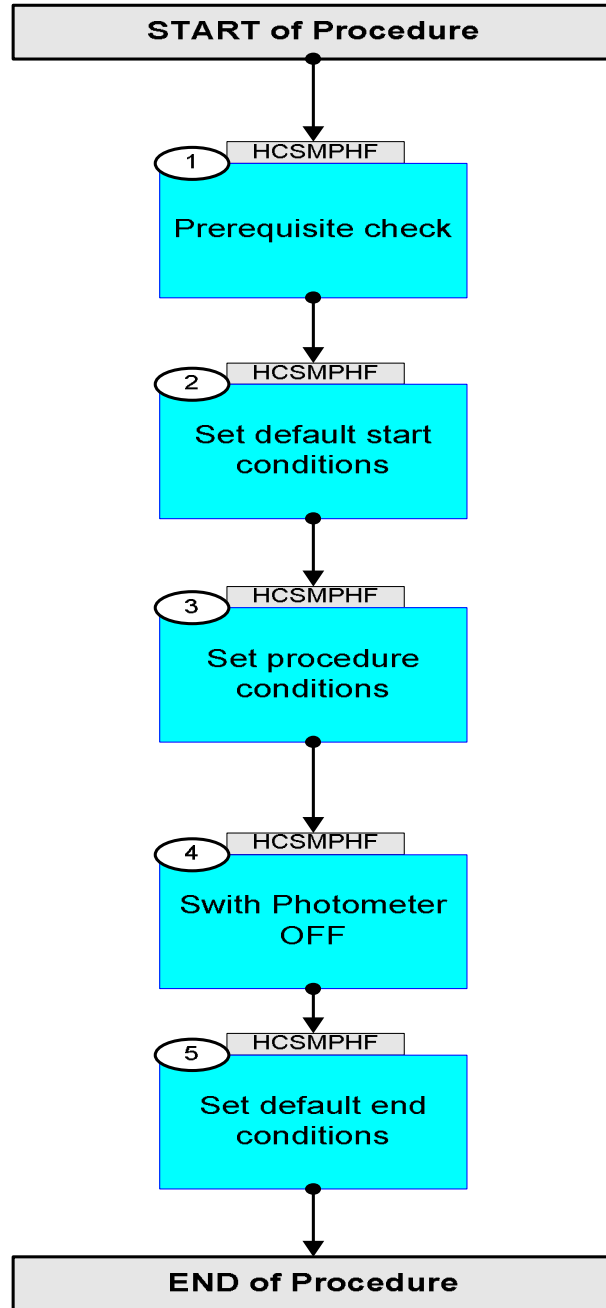
Configuration Control Information

DATE	FOP ISSUE	VERSION	MODIFICATION DESCRIPTION	AUTHOR	SPR REF
19/04/09	2.3	1	Created	L.Lucas-hp	

PDET_OFF Mode Trans Phot OFF
File: H_COP_SPI_MPHF.xls
Author: L.Lucas-hp



Procedure Flowchart Overview



PDET_OFF Mode Trans Phot OFF
 File: H_COP_SPI_MPHF.xls
 Author: L.Lucas-hp



Step No.	Time	Activity/Remarks	TC/TLM	Display/ Branch
Beginning of Procedure				
TC Seq. Name : HCSMPHF (Mode Trans PDET_OFF)				
TimeTag Type: Y Sub Schedule ID: <input type="checkbox"/>				
1		Prerequisite check		Next Step: 2
1.1		HSC/ICC input		<input type="checkbox"/>
		Verify that the HSC has supplied a valid OBSID value: OBS_ID = 0xnnnn nnnn		
2		Set default start conditions		Next Step: 3
		Note that a TM(5,1) packet [New_Step_Report] is generated after each of the following SET_OBS_STEP telecommands		
	ET=+ UT=+00.00.00	SET_OBS_STEP Command Parameter(s) : OBSERVATION_STEP SP03N500 Subsch. ID : 370 Det. descr. : SET OBSERVATION STEP	SET_OBS_STEP SC003500 0 <hex>	
	ET=+ UT=+00.00.01	SET_BBID Command Parameter(s) : BUILDING_BLOCK_ID SP01N500 Subsch. ID : 370 Det. descr. : SET BUILDING BLOCK IDENTIFIER	SET_BBID SC001500 80010001 <hex>	
		Verify Telemetry BBFULLTYPE SM2LN500	= ClearObs	AND=ZAZ90999
	ET=+ UT=+00.00.00	SET_OBS_STEP Command Parameter(s) : OBSERVATION_STEP SP03N500 Subsch. ID : 370 Det. descr. : SET OBSERVATION STEP	SET_OBS_STEP SC003500 1 <hex>	

PDET_OFF Mode Trans Phot OFF
 File: H_COP_SPI_MPHF.xls
 Author: L.Lucas-hp



Step No.	Time	Activity/Remarks	TC/TLM	Display/ Branch
	ET=+ UT=+00.00.01	SET_OBSID Command Parameter(s) : OBSERVATION_ID Subsch. ID : 370 Det. descr. : SET OBSERVATION IDENTIFIER	SET_OBSID SP00N500 00000000 <hex>	
		Verify Telemetry OBSID SM10N500	= 00000000 <hex>	AND=ZAZ90999
	ET=+ UT=+00.00.00	SET_OBS_STEP Command Parameter(s) : OBSERVATION_STEP Subsch. ID : 370 Det. descr. : SET OBSERVATION STEP	SET_OBS_STEP SP03N500 0 <hex>	
	ET=+ UT=+00.00.01	SET_BBID Command Parameter(s) : BUILDING_BLOCK_ID Subsch. ID : 370 Det. descr. : SET BUILDING BLOCK IDENTIFIER	SET_BBID SP01N500 80000000 <hex>	
		Verify Telemetry BBFULLTYPE SM2LN500	= Null	AND=ZAZ90999
	ET=+ UT=+00.00.00	SET_OBS_STEP Command Parameter(s) : OBSERVATION_STEP Subsch. ID : 370 Det. descr. : SET OBSERVATION STEP	SET_OBS_STEP SP03N500 0 <hex>	
	ET=+ UT=+00.00.01	SET_BBID Command Parameter(s) : BUILDING_BLOCK_ID Subsch. ID : 370 Det. descr. : SET BUILDING BLOCK IDENTIFIER	SET_BBID SP01N500 80020001 <hex>	
		Verify Telemetry BBFULLTYPE SM2LN500	= StartObs	AND=ZAZ90999
3		Set procedure conditions		Next Step: 4

PDET_OFF Mode Trans Phot OFF
 File: H_COP_SPI_MPHF.xls
 Author: L.Lucas-hp



Step No.	Time	Activity/Remarks	TC/TLM	Display/ Branch
	ET=+ UT=+00.00.00	RESET_DRCU_COUNTERS Subsch. ID : 370 Det. descr. : RESET DRCU COUNTERS	SCD00505	
		Verify that the TRESET parameter has the same value as the THSK parameter TRESET SM01T500	same as THSK	AND=ZAZ90999
		THSK SM00T500	any	AND=ZAZ90999
		Note that a TM(5,1) packet [New_Step_Report] is generated after each of the following SET_OBS_STEP telecommands		
	ET=+ UT=+00.00.00	SET_OBS_STEP Command Parameter(s) : OBSERVATION_STEP SP03N500 Subsch. ID : 370 Det. descr. : SET OBSERVATION STEP	SC003500 1 <hex>	
	ET=+ UT=+00.00.01	SET_OBSID Command Parameter(s) : OBSERVATION_ID SP00N500 Subsch. ID : 370 Det. descr. : SET OBSERVATION IDENTIFIER	SC000500 OBS_ID	
		Verify Telemetry OBSID SM10N500	OBS_ID	AND=ZAZ90999
	ET=+ UT=+00.00.00	SET_OBS_STEP Command Parameter(s) : OBSERVATION_STEP SP03N500 Subsch. ID : 370 Det. descr. : SET OBSERVATION STEP	SC003500 0 <hex>	
	ET=+ UT=+00.00.01	SET_BBID Command Parameter(s) : BUILDING_BLOCK_ID SP01N500 Subsch. ID : 370 Det. descr. : SET BUILDING BLOCK IDENTIFIER	SC001500 80000000 <hex>	
		Verify Telemetry BBFULLTYPE SM2LN500	= Null	AND=ZAZ90999

PDET_OFF Mode Trans Phot OFF
 File: H_COP_SPI_MPHF.xls
 Author: L.Lucas-hp



Step No.	Time	Activity/Remarks	TC/TLM	Display/ Branch
	ET=+ UT=+00.00.00	SET_OBS_STEP SET_OBS_STEP Command Parameter(s) : OBSERVATION_STEP SP03N500 TC Control Flags : GBM IL DSE --Y -- --- Subsch. ID : 370 Det. descr. : SET OBSERVATION STEP	SC003500 0 <hex>	
	ET=+ UT=+00.00.01	SET_BBID SET_BBID Command Parameter(s) : BUILDING_BLOCK_ID SP01N500 Subsch. ID : 370 Det. descr. : SET BUILDING BLOCK IDENTIFIER	SC001500 85040001 <hex>	
		Verify Telemetry BBFULLTYPE SM2LN500	= PF_BDA_Off	AND=ZAZ90999
	ET=+00.00.02 UT=+00.00.02	SET_OBS_MODE SET_OBS_MODE Command Parameter(s) : OBSERVING_MODE SP02N500 TC Control Flags : GBM IL DSE --Y -- --- Subsch. ID : 370 Det. descr. : SET OBSERVING MODE	SC002500 2FE <hex>	
		Verify Telemetry MODE SM00M500	= PDET_OFF	AND=ZAZ92999
4		Swith Photometer OFF		Next Step: 5
	ET=+00.00.01 UT=+00.00.01	SEND_DRCU_COMMAND SEND_DRCU_COMMAND Command Parameter(s) : DRCUCOMMAND SPD4N505 OVERRIDE SPD9N505 TC Control Flags : GBM IL DSE --Y -- --- Subsch. ID : 370 Det. descr. : SEND A SINGLE COMMAND TO THE DRCU	SCD06505 8413003F <hex> 0 <hex> (Def)	

PDET_OFF Mode Trans Phot OFF
 File: H_COP_SPI_MPHF.xls
 Author: L.Lucas-hp



Step No.	Time	Activity/Remarks	TC/TLM	Display/ Branch
	ET=+00.00.00 UT=+00.00.00	SEND_DRCU_COMMAND SEND_DRCU_COMMAND Command Parameter(s) : DRCUCOMMAND SPD4N505 OVERRIDE SPD9N505 TC Control Flags : GBM IL DSE --- -- --- Subsch. ID : 370 Det. descr. : SEND A SINGLE COMMAND TO THE DRCU	SCD06505 84140000 <hex> 0 <hex> (Def)	
	ET=+00.00.01 UT=+00.00.01	SEND_DRCU_COMMAND SEND_DRCU_COMMAND Command Parameter(s) : DRCUCOMMAND SPD4N505 OVERRIDE SPD9N505 TC Control Flags : GBM IL DSE --- -- --- Subsch. ID : 370 Det. descr. : SEND A SINGLE COMMAND TO THE DRCU	SCD06505 84120000 <hex> 0 <hex> (Def)	
	ET=+00.00.00 UT=+00.00.00	SEND_DRCU_COMMAND SEND_DRCU_COMMAND Command Parameter(s) : DRCUCOMMAND SPD4N505 OVERRIDE SPD9N505 TC Control Flags : GBM IL DSE --- -- --- Subsch. ID : 370 Det. descr. : SEND A SINGLE COMMAND TO THE DRCU	SCD06505 84050000 <hex> 0 <hex> (Def)	
	ET=+00.00.01 UT=+00.00.01	SEND_DRCU_COMMAND SEND_DRCU_COMMAND Command Parameter(s) : DRCUCOMMAND SPD4N505 OVERRIDE SPD9N505 TC Control Flags : GBM IL DSE --- -- --- Subsch. ID : 370 Det. descr. : SEND A SINGLE COMMAND TO THE DRCU	SCD06505 84060000 <hex> 0 <hex> (Def)	

PDET_OFF Mode Trans Phot OFF
 File: H_COP_SPI_MPHF.xls
 Author: L.Lucas-hp



Step No.	Time	Activity/Remarks	TC/TLM	Display/ Branch
	ET=+00.00.01 UT=+00.00.01	SEND_DRCU_COMMAND SEND_DRCU_COMMAND Command Parameter(s) : DRCUCOMMAND SPD4N505 OVERRIDE SPD9N505 TC Control Flags : GBM IL DSE --- -- --- Subsch. ID : 370 Det. descr. : SEND A SINGLE COMMAND TO THE DRCU	SCD06505 84070000 <hex> 0 <hex> (Def)	
	ET=+00.00.01 UT=+00.00.01	SEND_DRCU_COMMAND SEND_DRCU_COMMAND Command Parameter(s) : DRCUCOMMAND SPD4N505 OVERRIDE SPD9N505 TC Control Flags : GBM IL DSE --- -- --- Subsch. ID : 370 Det. descr. : SEND A SINGLE COMMAND TO THE DRCU	SCD06505 84080000 <hex> 0 <hex> (Def)	
	ET=+00.00.01 UT=+00.00.01	SEND_DRCU_COMMAND SEND_DRCU_COMMAND Command Parameter(s) : DRCUCOMMAND SPD4N505 OVERRIDE SPD9N505 TC Control Flags : GBM IL DSE --- -- --- Subsch. ID : 370 Det. descr. : SEND A SINGLE COMMAND TO THE DRCU	SCD06505 84090000 <hex> 0 <hex> (Def)	
	ET=+00.00.01 UT=+00.00.01	SEND_DRCU_COMMAND SEND_DRCU_COMMAND Command Parameter(s) : DRCUCOMMAND SPD4N505 OVERRIDE SPD9N505 TC Control Flags : GBM IL DSE --- -- --- Subsch. ID : 370 Det. descr. : SEND A SINGLE COMMAND TO THE DRCU	SCD06505 840a0000 <hex> 0 <hex> (Def)	

PDET_OFF Mode Trans Phot OFF
 File: H_COP_SPI_MPHF.xls
 Author: L.Lucas-hp



Step No.	Time	Activity/Remarks	TC/TLM	Display/ Branch
	ET=+00.00.01 UT=+00.00.01	SEND_DRCU_COMMAND SEND_DRCU_COMMAND Command Parameter(s) : DRCUCOMMAND SPD4N505 OVERRIDE SPD9N505 TC Control Flags : GBM IL DSE --- -- --- Subsch. ID : 370 Det. descr. : SEND A SINGLE COMMAND TO THE DRCU	SCD06505 84130030 <hex> 0 <hex> (Def)	
	ET=+00.00.00 UT=+00.00.00	SEND_DRCU_COMMAND SEND_DRCU_COMMAND Command Parameter(s) : DRCUCOMMAND SPD4N505 OVERRIDE SPD9N505 TC Control Flags : GBM IL DSE --- -- --- Subsch. ID : 370 Det. descr. : SEND A SINGLE COMMAND TO THE DRCU	SCD06505 840b0000 <hex> 0 <hex> (Def)	
	ET=+00.00.01 UT=+00.00.01	SEND_DRCU_COMMAND SEND_DRCU_COMMAND Command Parameter(s) : DRCUCOMMAND SPD4N505 OVERRIDE SPD9N505 TC Control Flags : GBM IL DSE --- -- --- Subsch. ID : 370 Det. descr. : SEND A SINGLE COMMAND TO THE DRCU	SCD06505 840c0000 <hex> 0 <hex> (Def)	
	ET=+00.00.01 UT=+00.00.01	SEND_DRCU_COMMAND SEND_DRCU_COMMAND Command Parameter(s) : DRCUCOMMAND SPD4N505 OVERRIDE SPD9N505 TC Control Flags : GBM IL DSE --- -- --- Subsch. ID : 370 Det. descr. : SEND A SINGLE COMMAND TO THE DRCU	SCD06505 840d0000 <hex> 0 <hex> (Def)	

PDET_OFF Mode Trans Phot OFF
 File: H_COP_SPI_MPHF.xls
 Author: L.Lucas-hp



Step No.	Time	Activity/Remarks	TC/TLM	Display/ Branch
	ET=+00.00.01 UT=+00.00.01	SEND_DRCU_COMMAND SEND_DRCU_COMMAND Command Parameter(s) : DRCUCOMMAND SPD4N505 OVERRIDE SPD9N505 TC Control Flags : GBM IL DSE --- -- --- Subsch. ID : 370 Det. descr. : SEND A SINGLE COMMAND TO THE DRCU	SCD06505 840e0000 <hex> 0 <hex> (Def)	
	ET=+00.00.01 UT=+00.00.01	SEND_DRCU_COMMAND SEND_DRCU_COMMAND Command Parameter(s) : DRCUCOMMAND SPD4N505 OVERRIDE SPD9N505 TC Control Flags : GBM IL DSE --- -- --- Subsch. ID : 370 Det. descr. : SEND A SINGLE COMMAND TO THE DRCU	SCD06505 84130000 <hex> 0 <hex> (Def)	
	ET=+00.00.00 UT=+00.00.00	SEND_DRCU_COMMAND SEND_DRCU_COMMAND Command Parameter(s) : DRCUCOMMAND SPD4N505 OVERRIDE SPD9N505 TC Control Flags : GBM IL DSE --- -- --- Subsch. ID : 370 Det. descr. : SEND A SINGLE COMMAND TO THE DRCU	SCD06505 840f0000 <hex> 0 <hex> (Def)	
	ET=+00.00.01 UT=+00.00.01	SEND_DRCU_COMMAND SEND_DRCU_COMMAND Command Parameter(s) : DRCUCOMMAND SPD4N505 OVERRIDE SPD9N505 TC Control Flags : GBM IL DSE --- -- --- Subsch. ID : 370 Det. descr. : SEND A SINGLE COMMAND TO THE DRCU	SCD06505 84100000 <hex> 0 <hex> (Def)	

PDET_OFF Mode Trans Phot OFF
 File: H_COP_SPI_MPHF.xls
 Author: L.Lucas-hp



Step No.	Time	Activity/Remarks	TC/TLM	Display/ Branch
	ET=+00.00.01 UT=+00.00.01	SEND_DRCU_COMMAND SEND_DRCU_COMMAND Command Parameter(s) : DRCUCOMMAND SPD4N505 OVERRIDE SPD9N505 TC Control Flags : GBM IL DSE --- -- --- Subsch. ID : 370 Det. descr. : SEND A SINGLE COMMAND TO THE DRCU	SCD06505 841a0000 <hex> 0 <hex> (Def)	
	ET=+00.00.00 UT=+00.00.00	SEND_DRCU_COMMAND SEND_DRCU_COMMAND Command Parameter(s) : DRCUCOMMAND SPD4N505 OVERRIDE SPD9N505 TC Control Flags : GBM IL DSE --- -- --- Subsch. ID : 370 Det. descr. : SEND A SINGLE COMMAND TO THE DRCU	SCD06505 841b0000 <hex> 0 <hex> (Def)	
	ET=+00.00.01 UT=+00.00.01	SEND_DRCU_COMMAND SEND_DRCU_COMMAND Command Parameter(s) : DRCUCOMMAND SPD4N505 OVERRIDE SPD9N505 TC Control Flags : GBM IL DSE --- -- --- Subsch. ID : 370 Det. descr. : SEND A SINGLE COMMAND TO THE DRCU	SCD06505 841c0000 <hex> 0 <hex> (Def)	
	ET=+00.00.00 UT=+00.00.00	SEND_DRCU_COMMAND SEND_DRCU_COMMAND Command Parameter(s) : DRCUCOMMAND SPD4N505 OVERRIDE SPD9N505 TC Control Flags : GBM IL DSE --- -- --- Subsch. ID : 370 Det. descr. : SEND A SINGLE COMMAND TO THE DRCU	SCD06505 841d0000 <hex> 0 <hex> (Def)	

PDET_OFF Mode Trans Phot OFF
 File: H_COP_SPI_MPHF.xls
 Author: L.Lucas-hp



Step No.	Time	Activity/Remarks	TC/TLM	Display/ Branch
	ET=+00.00.01 UT=+00.00.01	SEND_DRCU_COMMAND SEND_DRCU_COMMAND Command Parameter(s) : DRCUCOMMAND SPD4N505 OVERRIDE SPD9N505 TC Control Flags : GBM IL DSE --- -- --- Subsch. ID : 370 Det. descr. : SEND A SINGLE COMMAND TO THE DRCU	SCD06505 84010000 <hex> 0 <hex> (Def)	
	ET=+00.00.00 UT=+00.00.00	SEND_DRCU_COMMAND SEND_DRCU_COMMAND Command Parameter(s) : DRCUCOMMAND SPD4N505 OVERRIDE SPD9N505 TC Control Flags : GBM IL DSE --- -- --- Subsch. ID : 370 Det. descr. : SEND A SINGLE COMMAND TO THE DRCU	SCD06505 84020000 <hex> 0 <hex> (Def)	
	ET=+00.00.01 UT=+00.00.01	SEND_DRCU_COMMAND SEND_DRCU_COMMAND Command Parameter(s) : DRCUCOMMAND SPD4N505 OVERRIDE SPD9N505 TC Control Flags : GBM IL DSE --- -- --- Subsch. ID : 370 Det. descr. : SEND A SINGLE COMMAND TO THE DRCU	SCD06505 84030000 <hex> 0 <hex> (Def)	
	ET=+00.00.00 UT=+00.00.00	SEND_DRCU_COMMAND SEND_DRCU_COMMAND Command Parameter(s) : DRCUCOMMAND SPD4N505 OVERRIDE SPD9N505 TC Control Flags : GBM IL DSE --- -- --- Subsch. ID : 370 Det. descr. : SEND A SINGLE COMMAND TO THE DRCU	SCD06505 84040000 <hex> 0 <hex> (Def)	

PDET_OFF Mode Trans Phot OFF
 File: H_COP_SPI_MPHF.xls
 Author: L.Lucas-hp



Step No.	Time	Activity/Remarks	TC/TLM	Display/ Branch
	ET=+00.00.01 UT=+00.00.01	SEND_DRCU_COMMAND SEND_DRCU_COMMAND Command Parameter(s) : DRCUCOMMAND SPD4N505 OVERRIDE SPD9N505 TC Control Flags : GBM IL DSE --- -- --- Subsch. ID : 370 Det. descr. : SEND A SINGLE COMMAND TO THE DRCU	SCD06505 a0870004 <hex> 0 <hex> (Def)	
	ET=+00.00.04 UT=+00.00.04	SEND_DRCU_COMMAND SEND_DRCU_COMMAND Command Parameter(s) : DRCUCOMMAND SPD4N505 OVERRIDE SPD9N505 TC Control Flags : GBM IL DSE --- -- --- Subsch. ID : 370 Det. descr. : SEND A SINGLE COMMAND TO THE DRCU	SCD06505 843e0000 <hex> 0 <hex> (Def)	
	ET=+00.00.01 UT=+00.00.01	FLUSH_FIFO FLUSH_FIFO Command Parameter(s) : FIFOFLAGS SPD0N505 TC Control Flags : GBM IL DSE --- -- --- Subsch. ID : 370 Det. descr. : FORCE DPU TO READ SCIENCE DATA FROM FIFOS AND FLUSH CONTENTS	SCD01505 1000 <hex>	
	ET=+00.00.03 UT=+00.00.03	SET_OBS_MODE SET_OBS_MODE Command Parameter(s) : OBSERVING_MODE SP02N500 TC Control Flags : GBM IL DSE --- -- --- Subsch. ID : 370 Det. descr. : SET OBSERVING MODE	SC002500 2fe <hex>	
4.1		TM checks		<input type="checkbox"/>
		Verify Telemetry MODE SM00M500	= PDET_OFF	AND=SA_6_559
		Verify Telemetry PLIABITSTAT SM_0X520	= OFF	AND=SA_6_559

PDET_OFF Mode Trans Phot OFF
 File: H_COP_SPI_MPHF.xls
 Author: L.Lucas-hp



Step No.	Time	Activity/Remarks	TC/TLM	Display/ Branch
		Verify Telemetry PSWJFETSTAT SM20F510	= 0 <hex>	AND=SA_6_559
		Verify Telemetry PMLWJFETSTAT SM80F510	= 0 <hex>	AND=SA_6_559
		Verify Telemetry PSWJFET1V SM20V510	= 0.0 V	AND=SAP0_559
		Verify Telemetry PSWJFET6V SM25V510	= 0.0 V	AND=SAP0_559
		Verify Telemetry PSWJFET4V SM23V510	= 0.0 V	AND=SA_6_559
		Verify Telemetry PMWJFET1V SM30V510	= V	AND=SA_6_559
		Verify Telemetry PLWJFET2V SM51V510	= 0.0 V	AND=SA_6_559
		Verify Telemetry PLWJFET1V SM50V510	= 0.0 V	AND=SA_6_559
		Verify Telemetry PLIAP5V SML0V510	= 0.0 V	AND=SA_7_559
		Verify Telemetry PLIAP9V SML1V510	= 0.0 V	AND=SA_7_559
		Verify Telemetry PLIAM9V SML2V510	= 0.0 V	AND=SA_7_559
5		Set default end conditions		Next Step: END
		Note that a TM(5,1) packet [New_Step_Report] is generated after each of the following SET_OBS_STEP telecommands		
	ET=+ UT=+00.00.00	SET_OBS_STEP Command Parameter(s) : OBSERVATION_STEP SP03N500 Subsch. ID : 370 Det. descr. : SET OBSERVATION STEP	SET_OBS_STEP SC003500 0 <hex>	
	ET=+ UT=+00.00.01	SET_BBID Command Parameter(s) : BUILDING_BLOCK_ID SP01N500 Subsch. ID : 370 Det. descr. : SET BUILDING BLOCK IDENTIFIER	SET_BBID SC001500 80000000 <hex>	
		Verify Telemetry BBFULLTYPE SM2LN500	= Null	AND=ZAZ90999

PDET_OFF Mode Trans Phot OFF
 File: H_COP_SPI_MPHF.xls
 Author: L.Lucas-hp



Step No.	Time	Activity/Remarks	TC/TLM	Display/ Branch
	ET=+ UT=+00.00.00	SET_OBS_STEP SET_OBS_STEP Command Parameter(s) : OBSERVATION_STEP SP03N500 Subsch. ID : 370 Det. descr. : SET OBSERVATION STEP	SC003500 0 <hex>	
	ET=+ UT=+00.00.01	SET_BBID SET_BBID Command Parameter(s) : BUILDING_BLOCK_ID SP01N500 Subsch. ID : 370 Det. descr. : SET BUILDING BLOCK IDENTIFIER	SC001500 80030001 <hex>	
		Verify Telemetry BBFULLTYPE SM2LN500	= EndObs	AND=ZAZ90999
	ET=+ UT=+00.00.00	SET_OBS_STEP SET_OBS_STEP Command Parameter(s) : OBSERVATION_STEP SP03N500 Subsch. ID : 370 Det. descr. : SET OBSERVATION STEP	SC003500 1 <hex>	
	ET=+ UT=+00.00.01	SET_OBSID SET_OBSID Command Parameter(s) : OBSERVATION_ID SP00N500 Subsch. ID : 370 Det. descr. : SET OBSERVATION IDENTIFIER	SC000500 00000000 <hex>	
		Verify Telemetry OBSID SM10N500	= 00000000 <hex>	AND=ZAZ90999
	ET=+ UT=+00.00.00	SET_OBS_STEP SET_OBS_STEP Command Parameter(s) : OBSERVATION_STEP SP03N500 Subsch. ID : 370 Det. descr. : SET OBSERVATION STEP	SC003500 0 <hex>	
	ET=+ UT=+00.00.01	SET_BBID SET_BBID Command Parameter(s) : BUILDING_BLOCK_ID SP01N500 Subsch. ID : 370 Det. descr. : SET BUILDING BLOCK IDENTIFIER	SC001500 80000000 <hex>	

PDET_OFF Mode Trans Phot OFF File: H_COP_SPI_MPHF.xls Author: L.Lucas-hp	 
--	--

Step No.	Time	Activity/Remarks	TC/TLM	Display/ Branch
		Verify Telemetry BBFULLTYPE SM2LN500	= Null	AND=ZAZ90999
End of Procedure				