

SPIRE-FUNC-SMEC-LVDT-P LVDT Backup Mode (PRIME)
File: H_COP_SPI_LBMP.xls
Author: L.Lucas-hp



Procedure Summary

Objectives

This procedure is a back up mode test for the SMEC LVDT (PRIME).

Based on procedure: SPIRE-FUNC-SMEC-LVDT-P
Name: Mode_SMECFuncLVDT
Version number: 3
Generated: 27/03/2009

Summary of Constraints

Ensure that SPIRE-CP-FUNC-SMEC-01-LVDT/ H_COP_SPI_LSCP has been run before continuing.

Cooler is recycled, the detector temperatures are at <300 mK and as stable as possible.

Should be done before ejection of the cryo-cover.

Spacecraft Configuration

Start of Procedure

Mode = REDY

End of Procedure

Reference File(s)

Input Command Sequences

Output Command Sequences

HCSLBMP
HCSLBMPB
HCSLBMPC
HCSLBMPD
HCSLBMPE
HCSLBMPF
HCSLBMPG
HCSLBMPH
HCSLBMPJ
HCSLBMPQ

Referenced Displays

ANDs	GRDs	SLDs
SAS0_559		
ZAZ90999		
SA_1_559		

Configuration Control Information

Status : Version 2 - Unchanged
Last Checkin: 04/05/09

SPIRE-FUNC-SMEC-LVDT-P LVDT Backup Mode (PRIME)
 File: H_COP_SPI_LBMP.xls
 Author: L.Lucas-hp

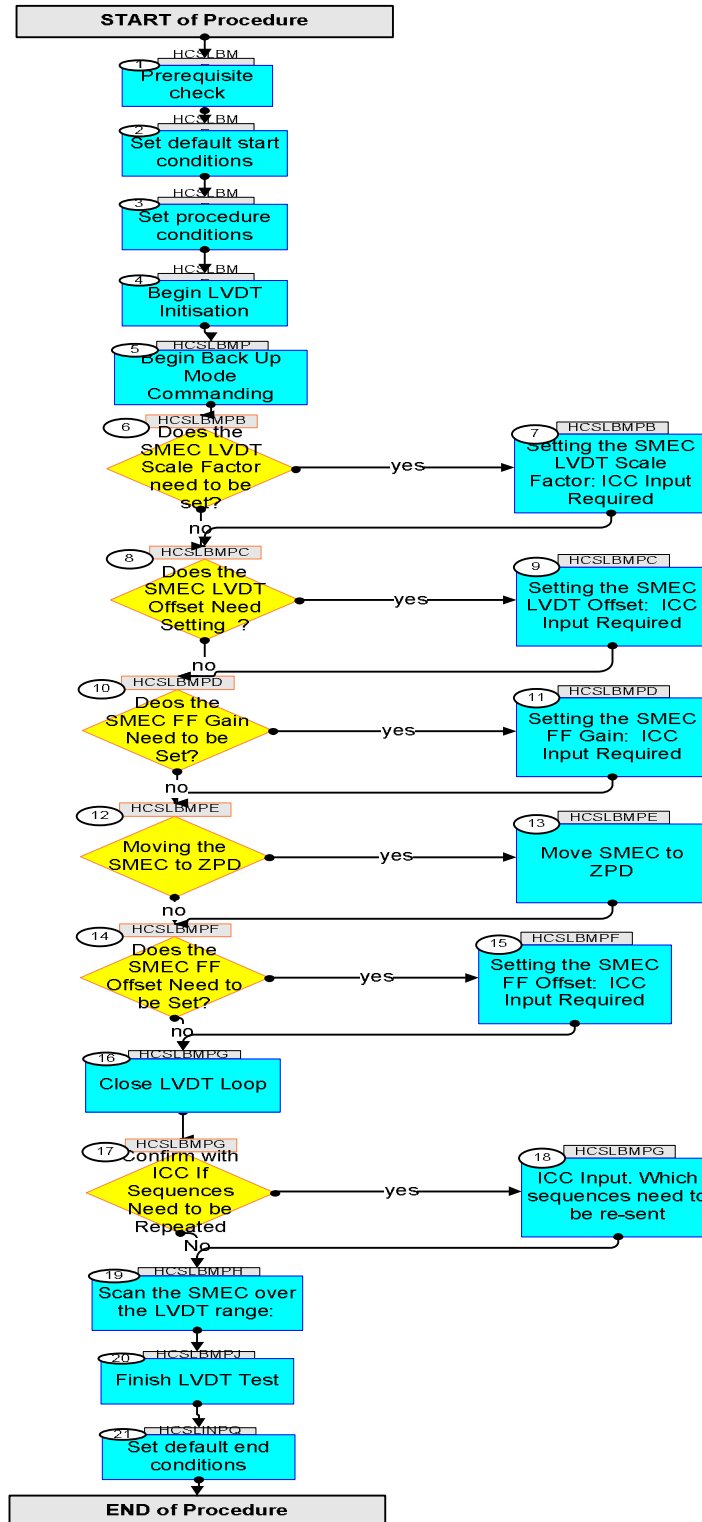


DATE	FOP ISSUE	VERSION	MODIFICATION DESCRIPTION	AUTHOR	SPR REF
19/04/09		1	Created	L.Lucas-hp	
21/04/09	2.3	1.01	Validation : Text Updates	L.Lucas-hp	
04/05/09	2.4	2	Remove ET	L.Lucas-hp	

SPIRE-FUNC-SMEC-LVDT-P LVDT Backup Mode (PRIME)
 File: H_COP_SPI_LBMP.xls
 Author: L.Lucas-hp



Procedure Flowchart Overview



SPIRE-FUNC-SMEC-LVDT-P LVDT Backup Mode (PRIME)
 File: H_COP_SPI_LBMP.xls
 Author: L.Lucas-hp



Step No.	Time	Activity/Remarks	TC/TLM	Display/ Branch
Beginning of Procedure				
TC Seq. Name : HCSLBMP (LVDTBack Up Mode P)				
TimeTag Type: Y Sub Schedule ID: <input type="checkbox"/>				
1		Prerequisite check		Next Step: 2
1.1		HSC/ICC input		<input type="checkbox"/>
		Verify that the HSC has supplied a valid OBSID value: OBS_ID = 0xnnnn nnnn		
1.2		TM Checks		<input type="checkbox"/>
		Check the LVDT oscillator is ON (1). Verify Telemetry SMECLVDTPWR SMS1W515	= 1 <hex>	AND=SAS0_559
2		Set default start conditions		Next Step: 3
		Note that a TM(5,1) packet [New_Step_Report] is generated after each of the following SET_OBS_STEP telecommands		
	ET=+ UT=+00.00.00	SET_OBS_STEP Command Parameter(s) : OBSERVATION_STEP SP03N500 Subsch. ID : 370 Det. descr. : SET OBSERVATION STEP	SC003500 0 <hex>	
	ET=+ UT=+00.00.01	SET_BBID Command Parameter(s) : BUILDING_BLOCK_ID SP01N500 Subsch. ID : 370 Det. descr. : SET BUILDING BLOCK IDENTIFIER	SC001500 80010001 <hex>	
		Verify Telemetry BBFULLTYPE SM2LN500	= ClearObs	AND=ZAZ90999

SPIRE-FUNC-SMEC-LVDT-P LVDT Backup Mode (PRIME)
 File: H_COP_SPI_LBMP.xls
 Author: L.Lucas-hp



Step No.	Time	Activity/Remarks	TC/TLM	Display/ Branch
	ET=+ UT=+00.00.00	SET_OBS_STEP SET_OBS_STEP Command Parameter(s) : OBSERVATION_STEP SP03N500 Subsch. ID : 370 Det. descr. : SET OBSERVATION STEP	SC003500 1 <hex>	
	ET=+ UT=+00.00.01	SET_OBSID SET_OBSID Command Parameter(s) : OBSERVATION_ID SP00N500 Subsch. ID : 370 Det. descr. : SET OBSERVATION IDENTIFIER	SC000500 00000000 <hex>	
		Verify Telemetry OBSID SM10N500	= 00000000 <hex>	AND=ZAZ90999
	ET=+ UT=+00.00.00	SET_OBS_STEP SET_OBS_STEP Command Parameter(s) : OBSERVATION_STEP SP03N500 Subsch. ID : 370 Det. descr. : SET OBSERVATION STEP	SC003500 0 <hex>	
	ET=+ UT=+00.00.01	SET_BBID SET_BBID Command Parameter(s) : BUILDING_BLOCK_ID SP01N500 Subsch. ID : 370 Det. descr. : SET BUILDING BLOCK IDENTIFIER	SC001500 80000000 <hex>	
		Verify Telemetry BBFULLTYPE SM2LN500	= Null	AND=ZAZ90999
	ET=+ UT=+00.00.00	SET_OBS_STEP SET_OBS_STEP Command Parameter(s) : OBSERVATION_STEP SP03N500 Subsch. ID : 370 Det. descr. : SET OBSERVATION STEP	SC003500 0 <hex>	
	ET=+ UT=+00.00.01	SET_BBID SET_BBID Command Parameter(s) : BUILDING_BLOCK_ID SP01N500 Subsch. ID : 370 Det. descr. : SET BUILDING BLOCK IDENTIFIER	SC001500 80020001 <hex>	

SPIRE-FUNC-SMEC-LVDT-P LVDT Backup Mode (PRIME)
 File: H_COP_SPI_LBMP.xls
 Author: L.Lucas-hp



Step No.	Time	Activity/Remarks	TC/TLM	Display/ Branch
		Verify Telemetry BBFULLTYPE SM2LN500	= StartObs	AND=ZAZ90999
3		<i>Set procedure conditions</i>		Next Step: 4
	ET=+ UT=+00.00.00	RESET_DRCU_COUNTERS RESET_DRCU_COUNTERS Subsch. ID : 370 Det. descr. : RESET DRCU COUNTERS	SCD00505	
		Verify that the TRESET parameter has the same value as the THSK parameter TRESET SM01T500	same as THSK	AND=ZAZ90999
		THSK SM00T500	any	AND=ZAZ90999
		Note that a TM(5,1) packet [New_Step_Report] is generated after each of the following SET_OBS_STEP telecommands		
	ET=+ UT=+00.00.00	SET_OBS_STEP SET_OBS_STEP Command Parameter(s) : OBSERVATION_STEP SP03N500 Subsch. ID : 370 Det. descr. : SET OBSERVATION STEP	SC003500 1 <hex>	
	ET=+ UT=+00.00.01	SET_OBSID SET_OBSID Command Parameter(s) : OBSERVATION_ID SP00N500 Subsch. ID : 370 Det. descr. : SET OBSERVATION IDENTIFIER	SC000500 OBS_ID	
		Verify Telemetry OBSID SM10N500	OBS_ID	AND=ZAZ90999
	ET=+ UT=+00.00.00	SET_OBS_STEP SET_OBS_STEP Command Parameter(s) : OBSERVATION_STEP SP03N500 Subsch. ID : 370 Det. descr. : SET OBSERVATION STEP	SC003500 0 <hex>	
	ET=+ UT=+00.00.01	SET_BBID SET_BBID Command Parameter(s) : BUILDING_BLOCK_ID SP01N500 Subsch. ID : 370 Det. descr. : SET BUILDING BLOCK IDENTIFIER	SC001500 80000000 <hex>	

SPIRE-FUNC-SMEC-LVDT-P LVDT Backup Mode (PRIME)
 File: H_COP_SPI_LBMP.xls
 Author: L.Lucas-hp



Step No.	Time	Activity/Remarks	TC/TLM	Display/ Branch
		Verify Telemetry BBFULLTYPE SM2LN500	= Null	AND=ZAZ90999
	ET=+ UT=+00.00.00	SET_OBS_STEP SET_OBS_STEP Command Parameter(s) : OBSERVATION_STEP SP03N500 Subsch. ID : 370 Det. descr. : SET OBSERVATION STEP	SC003500 0 <hex>	
	ET=+ UT=+00.00.01	SET_BBID SET_BBID Command Parameter(s) : BUILDING_BLOCK_ID SP01N500 Subsch. ID : 370 Det. descr. : SET BUILDING BLOCK IDENTIFIER	SC001500 89060001 <hex>	
		Verify Telemetry BBFULLTYPE SM2LN500	= StartMCUdata	AND=ZAZ90999
4		Begin LVDT Initiation		Next Step: 5
		Confirm with ICC to send next block of commands.		
		Check the LVDT oscillator is ON (1). Verify Telemetry SMECLVDT PWR SMS1W515	= 1 <hex>	AND=SAS0_559
	ET=+ UT=+00.00.01	SEND_DRCU_COMMAND SEND_DRCU_COMMAND Command Parameter(s) : DRCUCOMMAND SPD4N505 OVERRIDE SPD9N505 TC Control Flags : GBM IL DSE --Y -- --- Subsch. ID : 370 Det. descr. : SEND A SINGLE COMMAND TO THE DRCU	SCD06505 91C20000 <hex> 0 <hex> (Def)	
	ET=+ UT=+00.00.00	SEND_DRCU_COMMAND SEND_DRCU_COMMAND Command Parameter(s) : DRCUCOMMAND SPD4N505 OVERRIDE SPD9N505 TC Control Flags : GBM IL DSE --- --- --- Subsch. ID : 370 Det. descr. : SEND A SINGLE COMMAND TO THE DRCU	SCD06505 91c00000 <hex> 0 <hex> (Def)	

SPIRE-FUNC-SMEC-LVDT-P LVDT Backup Mode (PRIME)
 File: H_COP_SPI_LBMP.xls
 Author: L.Lucas-hp



Step No.	Time	Activity/Remarks	TC/TLM	Display/ Branch
	ET=+ UT=+00.00.01	SEND_DRCU_COMMAND SEND_DRCU_COMMAND Command Parameter(s) : DRCUCOMMAND SPD4N505 OVERRIDE SPD9N505 TC Control Flags : GBM IL DSE --- -- --- Subsch. ID : 370 Det. descr. : SEND A SINGLE COMMAND TO THE DRCU	SCD06505 91c40000 <hex> 0 <hex> (Def)	
	ET=+ UT=+00.00.00	SEND_DRCU_COMMAND SEND_DRCU_COMMAND Command Parameter(s) : DRCUCOMMAND SPD4N505 OVERRIDE SPD9N505 TC Control Flags : GBM IL DSE --- -- --- Subsch. ID : 370 Det. descr. : SEND A SINGLE COMMAND TO THE DRCU	SCD06505 91c50000 <hex> 0 <hex> (Def)	
	ET=+ UT=+00.00.01	SEND_DRCU_COMMAND SEND_DRCU_COMMAND Command Parameter(s) : DRCUCOMMAND SPD4N505 OVERRIDE SPD9N505 TC Control Flags : GBM IL DSE --- -- --- Subsch. ID : 370 Det. descr. : SEND A SINGLE COMMAND TO THE DRCU	SCD06505 91c4000a <hex> 0 <hex> (Def)	
	ET=+ UT=+00.00.00	SEND_DRCU_COMMAND SEND_DRCU_COMMAND Command Parameter(s) : DRCUCOMMAND SPD4N505 OVERRIDE SPD9N505 TC Control Flags : GBM IL DSE --- -- --- Subsch. ID : 370 Det. descr. : SEND A SINGLE COMMAND TO THE DRCU	SCD06505 91c3ffff <hex> 0 <hex> (Def)	

SPIRE-FUNC-SMEC-LVDT-P LVDT Backup Mode (PRIME)
 File: H_COP_SPI_LBMP.xls
 Author: L.Lucas-hp



Step No.	Time	Activity/Remarks	TC/TLM	Display/ Branch
	ET=+ UT=+00.00.01	SEND_DRCU_COMMAND SEND_DRCU_COMMAND Command Parameter(s) : DRCUCOMMAND SPD4N505 OVERRIDE SPD9N505 TC Control Flags : GBM IL DSE --- -- --- Subsch. ID : 370 Det. descr. : SEND A SINGLE COMMAND TO THE DRCU	SCD06505 91c10001 <hex> 0 <hex> (Def)	
	ET=+ UT=+00.00.01	SET_OBS_STEP SET_OBS_STEP Command Parameter(s) : OBSERVATION_STEP SP03N500 TC Control Flags : GBM IL DSE --- -- --- Subsch. ID : 370 Det. descr. : SET OBSERVATION STEP	SC003500 0 <hex>	
	ET=+ UT=+00.00.00	SET_BBID SET_BBID Command Parameter(s) : BUILDING_BLOCK_ID SP01N500 TC Control Flags : GBM IL DSE --- -- --- Subsch. ID : 370 Det. descr. : SET BUILDING BLOCK IDENTIFIER	SC001500 80000000 <hex>	
5		Begin Back Up Mode Commanding		Next Step: 6
	ET=+ UT=+00.00.01	SEND_DRCU_COMMAND SEND_DRCU_COMMAND Command Parameter(s) : DRCUCOMMAND SPD4N505 OVERRIDE SPD9N505 TC Control Flags : GBM IL DSE --Y -- --- Subsch. ID : 370 Det. descr. : SEND A SINGLE COMMAND TO THE DRCU	SCD06505 91C20000 <hex> 0 <hex> (Def)	

SPIRE-FUNC-SMEC-LVDT-P LVDT Backup Mode (PRIME)
 File: H_COP_SPI_LBMP.xls
 Author: L.Lucas-hp



Step No.	Time	Activity/Remarks	TC/TLM	Display/ Branch
	ET=+ UT=+00.00.00	SEND_DRCU_COMMAND SEND_DRCU_COMMAND Command Parameter(s) : DRCUCOMMAND SPD4N505 OVERRIDE SPD9N505 TC Control Flags : GBM IL DSE --- -- --- Subsch. ID : 370 Det. descr. : SEND A SINGLE COMMAND TO THE DRCU	SCD06505 91c00000 <hex> 0 <hex> (Def)	
	ET=+ UT=+00.00.01	SEND_DRCU_COMMAND SEND_DRCU_COMMAND Command Parameter(s) : DRCUCOMMAND SPD4N505 OVERRIDE SPD9N505 TC Control Flags : GBM IL DSE --- -- --- Subsch. ID : 370 Det. descr. : SEND A SINGLE COMMAND TO THE DRCU	SCD06505 91c40000 <hex> 0 <hex> (Def)	
	ET=+ UT=+00.00.00	SEND_DRCU_COMMAND SEND_DRCU_COMMAND Command Parameter(s) : DRCUCOMMAND SPD4N505 OVERRIDE SPD9N505 TC Control Flags : GBM IL DSE --- -- --- Subsch. ID : 370 Det. descr. : SEND A SINGLE COMMAND TO THE DRCU	SCD06505 91c50000 <hex> 0 <hex> (Def)	
	ET=+ UT=+00.00.01	SEND_DRCU_COMMAND SEND_DRCU_COMMAND Command Parameter(s) : DRCUCOMMAND SPD4N505 OVERRIDE SPD9N505 TC Control Flags : GBM IL DSE --- -- --- Subsch. ID : 370 Det. descr. : SEND A SINGLE COMMAND TO THE DRCU	SCD06505 91c4000a <hex> 0 <hex> (Def)	

SPIRE-FUNC-SMEC-LVDT-P LVDT Backup Mode (PRIME)
 File: H_COP_SPI_LBMP.xls
 Author: L.Lucas-hp



Step No.	Time	Activity/Remarks	TC/TLM	Display/ Branch
	ET=+ UT=+00.00.00	SEND_DRCU_COMMAND SEND_DRCU_COMMAND Command Parameter(s) : DRCUCOMMAND SPD4N505 OVERRIDE SPD9N505 TC Control Flags : GBM IL DSE --- -- --- Subsch. ID : 370 Det. descr. : SEND A SINGLE COMMAND TO THE DRCU	SCD06505 91c3ffff <hex> 0 <hex> (Def)	
	ET=+ UT=+00.00.01	SEND_DRCU_COMMAND SEND_DRCU_COMMAND Command Parameter(s) : DRCUCOMMAND SPD4N505 OVERRIDE SPD9N505 TC Control Flags : GBM IL DSE --- -- --- Subsch. ID : 370 Det. descr. : SEND A SINGLE COMMAND TO THE DRCU	SCD06505 91c10001 <hex> 0 <hex> (Def)	
	ET=+ UT=+00.00.01	SET_OBS_STEP SET_OBS_STEP Command Parameter(s) : OBSERVATION_STEP SP03N500 TC Control Flags : GBM IL DSE --- -- --- Subsch. ID : 370 Det. descr. : SET OBSERVATION STEP	SC003500 0 <hex>	
	ET=+ UT=+00.00.00	SET_BBID SET_BBID Command Parameter(s) : BUILDING_BLOCK_ID SP01N500 TC Control Flags : GBM IL DSE --- -- --- Subsch. ID : 370 Det. descr. : SET BUILDING BLOCK IDENTIFIER	SC001500 80000000 <hex>	
<p>TC Seq. Name :HCSLBMPB (Set SMEC LVDT ScaleF)</p> <p>TimeTag Type: B Sub Schedule ID: <input type="checkbox"/></p>				

SPIRE-FUNC-SMEC-LVDT-P LVDT Backup Mode (PRIME)
 File: H_COP_SPI_LBMP.xls
 Author: L.Lucas-hp



Step No.	Time	Activity/Remarks	TC/TLM	Display/ Branch
	ET=+ UT=+00.00.05	SEND_DRCU_COMMAND SEND_DRCU_COMMAND Command Parameter(s) : DRCUCOMMAND SPD4N505 OVERRIDE SPD9N505 TC Control Flags : GBM IL DSE --Y -- --- Subsch. ID : 370 Det. descr. : SEND A SINGLE COMMAND TO THE DRCU	SCD06505 90545085 <hex> 0 <hex> (Def)	
TC Seq. Name : HCSLBMP (Move SMEC 2 ZPD)				
TimeTag Type: B Sub Schedule ID: <input type="checkbox"/>				
12		Moving the SMEC to ZPD		Next Step: yes 13 no 14
		Check with ICC if/when to move the SMEC to the ZPD		
13		Move SMEC to ZPD		Next Step: 14
13.1		Set scan mode to 1		<input type="checkbox"/>
	ET=+ UT=+00.00.20	SEND_DRCU_COMMAND SEND_DRCU_COMMAND Command Parameter(s) : DRCUCOMMAND SPD4N505 OVERRIDE SPD9N505 TC Control Flags : GBM IL DSE --Y -- --- Subsch. ID : 370 Det. descr. : SEND A SINGLE COMMAND TO THE DRCU	SCD06505 90490001 <hex> 0 <hex> (Def)	
		Verify Telemetry SCANMODE SMS2M515	= 1 <hex>	AND=SAS0_559
13.2		Command SMEC to ZPD		<input type="checkbox"/>
		Check with ICC before sending the next command		

SPIRE-FUNC-SMEC-LVDT-P LVDT Backup Mode (PRIME)
 File: H_COP_SPI_LBMP.xls
 Author: L.Lucas-hp



Step No.	Time	Activity/Remarks	TC/TLM	Display/ Branch
	ET=+ UT=+00.00.02	SEND_DRCU_COMMAND SEND_DRCU_COMMAND Command Parameter(s) : DRCUCOMMAND SPD4N505 OVERRIDE SPD9N505 TC Control Flags : GBM IL DSE --Y -- --- Subsch. ID : 370 Det. descr. : SEND A SINGLE COMMAND TO THE DRCU	SCD06505 90451F40 <hex> 0 <hex> (Def)	
		Verify Telemetry SCANEND SMS1P515	= 8.0 mm	AND=SAS0_559
TC Seq. Name :HCSLBMPF (Set FF Offset)				
TimeTag Type: B Sub Schedule ID: <input type="checkbox"/>				
14		Does the SMEC FF Offset Need to be Set?		Next Step: no 16 yes 15
		Check with ICC		
15		Setting the SMEC FF Offset: ICC Input Required		Next Step: 16
		The TC to be executed will be SCD06505 - SEND_DRCU_COMMAND(DRCUCOMMAND=0x9055<nnnn>,OVERRIDE=0) The value <nnnn> for the DRCUCOMMAND TC parameter will be supplied by the Instrument Team		
15.1		Set the SMEC FF Offset		<input type="checkbox"/>
		When instructed, and supplied with the nnn value described, send the following command.		
	ET=+ UT=+00.00.22	SEND_DRCU_COMMAND SEND_DRCU_COMMAND Command Parameter(s) : DRCUCOMMAND SPD4N505 OVERRIDE SPD9N505 TC Control Flags : GBM IL DSE --Y -- --- Subsch. ID : 370 Det. descr. : SEND A SINGLE COMMAND TO THE DRCU	SCD06505 9055756F <hex> 0 <hex> (Def)	

SPIRE-FUNC-SMEC-LVDT-P LVDT Backup Mode (PRIME)
 File: H_COP_SPI_LBMP.xls
 Author: L.Lucas-hp



Step No.	Time	Activity/Remarks	TC/TLM	Display/ Branch
		Verify Telemetry VM1STAT SMV1N500	0xFFFF	AND=SA_1_559
		This sequence may need to be resent. Await instruction from ICC		
<p><i>TC Seq. Name :HCSLBMPG (Close LVDT Loop)</i></p> <p><i>TimeTag Type: B</i> <i>Sub Schedule ID:</i></p> <p>□</p>				
16		Close LVDT Loop		Next Step: 17
16.1		Close LDVT Loop		□
		Check with the Instrument Team before sending the next TC to close the loop on the LVDT		
	ET=+ UT=+00.00.30	SEND_DRCU_COMMAND <p style="text-align: center;">SEND_DRCU_COMMAND</p> Command Parameter(s) : DRCUCOMMAND SPD4N505 OVERRIDE SPD9N505	SCD06505 90440004 <hex> 0 <hex> (Def)	
		TC Control Flags : <p style="text-align: right;">GBM IL DSE --Y -- ---</p> Subsch. ID : 370 Det. descr. : SEND A SINGLE COMMAND TO THE DRCU		
		Verify Telemetry SMECLOOPMODE SMS1M515	= 4 <hex>	AND=SAS0_559
17		Confirm with ICC If Sequences Need to be Repeated		Next Step: yes 18 No 19
		Confirm with the Instrument Team Do any sequences need to be re-sent?		
18		ICC Input. Which sequences need to be re-sent		Next Step: 19
		Confirm with ICC which sequences need to be re-sent. Re-send the sequences as required and then continue.. Note new paramter values may also be needed.		

SPIRE-FUNC-SMEC-LVDT-P LVDT Backup Mode (PRIME)
 File: H_COP_SPI_LBMP.xls
 Author: L.Lucas-hp



Step No.	Time	Activity/Remarks	TC/TLM	Display/ Branch
TC Seq. Name :HCSLBMPH (SMEC Scan LVDT Range) TimeTag Type: B Sub Schedule ID: <input type="checkbox"/>				
19		Scan the SMEC over the LVDT range:		Next Step: 20
19.1		Set the Scan end position to 4.6mm		<input type="checkbox"/>
	ET=+ UT=+00.00.00	SEND_DRCU_COMMAND SEND_DRCU_COMMAND Command Parameter(s) : DRCUCOMMAND SPD4N505 OVERRIDE SPD9N505 TC Control Flags : GBM IL DSE --Y -- --- Subsch. ID : 370 Det. descr. : SEND A SINGLE COMMAND TO THE DRCU	SCD06505 904511F8 <hex> 0 <hex> (Def)	
		Verify Telemetry is as commanded SCANEND SMS1P515	= 4.6 mm	AND=SAS0_559
19.2		Stop the SMEC trajectory generation		<input type="checkbox"/>
	ET=+ UT=+00.00.30	SEND_DRCU_COMMAND SEND_DRCU_COMMAND Command Parameter(s) : DRCUCOMMAND SPD4N505 OVERRIDE SPD9N505 TC Control Flags : GBM IL DSE --Y -- --- Subsch. ID : 370 Det. descr. : SEND A SINGLE COMMAND TO THE DRCU	SCD06505 90490000 <hex> 0 <hex> (Def)	
19.3		Set the Scan start and end positions to 4.6mm and 11.4mm		<input type="checkbox"/>

SPIRE-FUNC-SMEC-LVDT-P LVDT Backup Mode (PRIME)
 File: H_COP_SPI_LBMP.xls
 Author: L.Lucas-hp



Step No.	Time	Activity/Remarks	TC/TLM	Display/ Branch
	ET=+ UT=+00.00.02	SEND_DRCU_COMMAND SEND_DRCU_COMMAND Command Parameter(s) : DRCUCOMMAND SPD4N505 OVERRIDE SPD9N505 TC Control Flags : GBM IL DSE --Y -- --- Subsch. ID : 370 Det. descr. : SEND A SINGLE COMMAND TO THE DRCU	SCD06505 90452C88 <hex> 0 <hex> (Def)	
	ET=+ UT=+00.00.02	SEND_DRCU_COMMAND SEND_DRCU_COMMAND Command Parameter(s) : DRCUCOMMAND SPD4N505 OVERRIDE SPD9N505 TC Control Flags : GBM IL DSE --- -- --- Subsch. ID : 370 Det. descr. : SEND A SINGLE COMMAND TO THE DRCU	SCD06505 904611f8 <hex> 0 <hex> (Def)	
		Verify Telemetry SCANSTART SMS0P515	= 4.6 mm	AND=SAS0_559
		Verify Telemetry SCANEND SMS1P515	= 11.4 mm	AND=SAS0_559
19.4		Confirm with the Instrument Team: Set the number of scans to 4		<input type="checkbox"/>
	ET=+ UT=+00.00.02	SEND_DRCU_COMMAND SEND_DRCU_COMMAND Command Parameter(s) : DRCUCOMMAND SPD4N505 OVERRIDE SPD9N505 TC Control Flags : GBM IL DSE --Y -- --- Subsch. ID : 370 Det. descr. : SEND A SINGLE COMMAND TO THE DRCU	SCD06505 90480004 <hex> 0 <hex> (Def)	
		Verify Telemetry SCANS SMS0N515	= 4 <dec>	AND=SAS0_559
19.5		Set Scan Mode		<input type="checkbox"/>

SPIRE-FUNC-SMEC-LVDT-P LVDT Backup Mode (PRIME)
 File: H_COP_SPI_LBMP.xls
 Author: L.Lucas-hp



Step No.	Time	Activity/Remarks	TC/TLM	Display/ Branch
	ET=+ UT=+00.00.02	SEND_DRCU_COMMAND SEND_DRCU_COMMAND Command Parameter(s) : DRCUCOMMAND SPD4N505 OVERRIDE SPD9N505 TC Control Flags : GBM IL DSE --- -- --- Subsch. ID : 370 Det. descr. : SEND A SINGLE COMMAND TO THE DRCU	SCD06505 90490002 <hex> 0 <hex> (Def)	
		Verify Telemetry SCANMODE SMS2M515	= 2 <hex>	AND=SAS0_559
19.6		TM Checks		<input type="checkbox"/>
		Verify Telemetry indicates closed loop on LVDT SMECLOOPMODE SMS1M515	= 4 <hex>	AND=SAS0_559
		Wait for the Instrument Team to check if the test is successful and further instruction		
		Check with the Instrument Team before finishing the test		
<p>TC Seq. Name :HCSLBMPJ (Finish Test)</p> <p>TimeTag Type: B Sub Schedule ID: <input type="checkbox"/></p>				
20		Finish LVDT Test		Next Step: 21
	ET=+ UT=+00.01.32	SET_OBS_STEP SET_OBS_STEP Command Parameter(s) : OBSERVATION_STEP SP03N500 TC Control Flags : GBM IL DSE --Y -- --- Subsch. ID : 370 Det. descr. : SET OBSERVATION STEP	SC003500 0 <hex>	

SPIRE-FUNC-SMEC-LVDT-P LVDT Backup Mode (PRIME)
 File: H_COP_SPI_LBMP.xls
 Author: L.Lucas-hp



Step No.	Time	Activity/Remarks	TC/TLM	Display/ Branch
	ET=+ UT=+00.00.00	SET_BBID Command Parameter(s) : BUILDING_BLOCK_ID TC Control Flags : Subsch. ID : 370 Det. descr. : SET BUILDING BLOCK IDENTIFIER	SET_BBID SP01N500 GBM IL DSE --- -- --- SC001500 80000000 <hex>	
	ET=+ UT=+00.00.02	SEND_DRCU_COMMAND Command Parameter(s) : DRCUCOMMAND OVERRIDE TC Control Flags : Subsch. ID : 370 Det. descr. : SEND A SINGLE COMMAND TO THE DRCU	SEND_DRCU_COMMAND SPD4N505 SPD9N505 GBM IL DSE --- -- --- SCD06505 91c10000 <hex> 0 <hex> (Def)	
	ET=+ UT=+00.00.01	FLUSH_FIFO Command Parameter(s) : FIFOFLAGS TC Control Flags : Subsch. ID : 370 Det. descr. : FORCE DPU TO READ SCIENCE DATA FROM FIFOS AND FLUSH CONTENTS	FLUSH_FIFO SPD0N505 GBM IL DSE --- -- --- SCD01505 2000 <hex>	
	ET=+ UT=+00.00.01	SET_OBS_STEP Command Parameter(s) : OBSERVATION_STEP TC Control Flags : Subsch. ID : 370 Det. descr. : SET OBSERVATION STEP	SET_OBS_STEP SP03N500 GBM IL DSE --- -- --- SC003500 0 <hex>	
	ET=+ UT=+00.00.00	SET_BBID Command Parameter(s) : BUILDING_BLOCK_ID TC Control Flags : Subsch. ID : 370 Det. descr. : SET BUILDING BLOCK IDENTIFIER	SET_BBID SP01N500 GBM IL DSE --- -- --- SC001500 80000000 <hex>	

SPIRE-FUNC-SMEC-LVDT-P LVDT Backup Mode (PRIME)
 File: H_COP_SPI_LBMP.xls
 Author: L.Lucas-hp



Step No.	Time	Activity/Remarks	TC/TLM	Display/ Branch
	ET=+ UT=+00.00.00	SET_OBS_STEP SET_OBS_STEP Command Parameter(s) : OBSERVATION_STEP SP03N500 Subsch. ID : 370 Det. descr. : SET OBSERVATION STEP	SC003500 1 <hex>	
	ET=+ UT=+00.00.01	SET_OBSID SET_OBSID Command Parameter(s) : OBSERVATION_ID SP00N500 Subsch. ID : 370 Det. descr. : SET OBSERVATION IDENTIFIER	SC000500 00000000 <hex>	
		Verify Telemetry OBSID SM10N500	= 00000000 <hex>	AND=ZAZ90999
	ET=+ UT=+00.00.00	SET_OBS_STEP SET_OBS_STEP Command Parameter(s) : OBSERVATION_STEP SP03N500 Subsch. ID : 370 Det. descr. : SET OBSERVATION STEP	SC003500 0 <hex>	
	ET=+ UT=+00.00.01	SET_BBID SET_BBID Command Parameter(s) : BUILDING_BLOCK_ID SP01N500 Subsch. ID : 370 Det. descr. : SET BUILDING BLOCK IDENTIFIER	SC001500 80000000 <hex>	
		Verify Telemetry BBFULLTYPE SM2LN500	= Null	AND=ZAZ90999
End of Procedure				