

Mode_DcuFunc11_Phot BDA Switch On Check
 File: H_COP_SPI_DCPN.xls
 Author: L.Lucas-hp



Procedure Summary

Objectives

The purpose of this procedure is a Photometer BDAs Switch ON Check
 Based on Procedure: SPIRE-CP-FUNCDU-11-PHOT-
 Name: Mode_DcuFunc11_Phot (v6)
 Generated: 27/03/2009

Summary of Constraints

Procedure MCU-01 run successfully.

Spacecraft Configuration

Start of Procedure

Mode: REDY

End of Procedure

Photometer ON

Reference File(s)

Input Command Sequences

Output Command Sequences

HCSDCPN

Referenced Displays

ANDs	GRDs	SLDs
SA_6_559		
SA_5_559		
ZAZ90999		
SA_1_559		

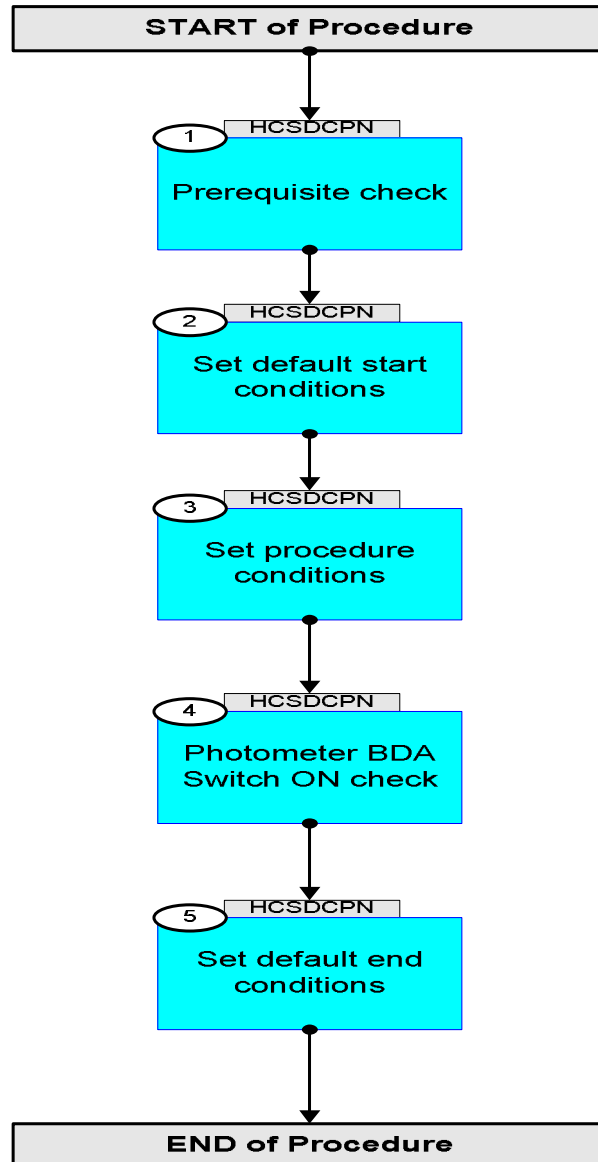
Configuration Control Information

DATE	FOP ISSUE	VERSION	MODIFICATION DESCRIPTION	AUTHOR	SPR REF
22/12/08		1	Created	L.Lucas-hp	
14/01/09		1.01	Validation : Update AND	L.Lucas-hp	
16/01/09		2	Update of procedure from SPIRE	L.Lucas-hp	
27/01/09	2	3	Remove ETs for ease of Loading to manual stack	L.Lucas-hp	
23/03/09	2.2	3.01	Validation : Title Update	L.Lucas-hp	
07/04/09		4	Commanding updated in line with updates received from SPIRE	L.Lucas-hp	
21/04/09	2.3	4.01	Validation : Text Updates	L.Lucas-hp	
04/05/09	2.4	5	Remove ET	L.Lucas-hp	

Mode_DcuFunc11_Phot BDA Switch On Check
File: H_COP_SPI_DCPN.xls
Author: L.Lucas-hp



Procedure Flowchart Overview



Mode_DcuFunc11_Phot BDA Switch On Check
 File: H_COP_SPI_DCPN.xls
 Author: L.Lucas-hp



Step No.	Time	Activity/Remarks	TC/TLM	Display/ Branch
Beginning of Procedure				
<p><i>TC Seq. Name : HCSDCPN (DC PhotBDAOnCheck)</i></p> <p><i>TimeTag Type: Y</i> <i>Sub Schedule ID:</i></p> <p style="text-align: center;">□</p>				
1		<i>Prerequisite check</i>		Next Step: 2
1.1		<i>HSC/ICC input</i>		□
		<p>Verify that the HSC has supplied a valid OBSID value:</p> <p>OBS_ID = 0xnnnn nnnn</p>		
1.2		<i>TM Checks</i>		□
		<p>Verify Telemetry</p> <p style="text-align: center;">PSWJFETSTAT SM20F510</p> <p style="text-align: right;">= 0 <hex></p>		AND=SA_6_559
		<p>Verify Telemetry</p> <p style="text-align: center;">PMLWJFETSTAT SM80F510</p> <p style="text-align: right;">= 0 <hex></p>		AND=SA_5_559
		<p>Verify Telemetry</p> <p style="text-align: center;">PLIAP5V SML0V510</p> <p style="text-align: right;">= -15.0000 V</p>		AND=SA_5_559
		<p>Verify Telemetry</p> <p style="text-align: center;">PLIAP9V SML1V510</p> <p style="text-align: right;">= 0.0 V</p>		AND=SA_5_559
		<p>Verify Telemetry</p> <p style="text-align: center;">PLIAM9V SML2V510</p> <p style="text-align: right;">= 0.0 V</p>		AND=SA_5_559
2		<i>Set default start conditions</i>		Next Step: 3
		Note that a TM(5,1) packet [New_Step_Report] is generated after each of the following SET_OBS_STEP telecommands		
	ET=+ UT=+00.00.00	<p>SET_OBS_STEP</p> <p style="text-align: center;">SET_OBS_STEP</p> <p>Command Parameter(s) :</p> <p style="text-align: center;">OBSERVATION_STEP SP03N500</p> <p>Subsch. ID : 370 Det. descr. : SET OBSERVATION STEP</p>	<p>SC003500</p> <p>0 <hex></p>	

Mode_DcuFunc11_Phot BDA Switch On Check
 File: H_COP_SPI_DCPN.xls
 Author: L.Lucas-hp



Step No.	Time	Activity/Remarks	TC/TLM	Display/ Branch	
	ET=+ UT=+00.00.01	SET_BBID Command Parameter(s) : BUILDING_BLOCK_ID Subsch. ID : 370 Det. descr. : SET BUILDING BLOCK IDENTIFIER	SET_BBID SP01N500 80010001 <hex>	SC001500	
		Verify Telemetry BBFULLTYPE	SM2LN500	= ClearObs	AND=ZAZ90999
	ET=+ UT=+00.00.00	SET_OBS_STEP Command Parameter(s) : OBSERVATION_STEP Subsch. ID : 370 Det. descr. : SET OBSERVATION STEP	SET_OBS_STEP SP03N500 1 <hex>	SC003500	
	ET=+ UT=+00.00.01	SET_OBSID Command Parameter(s) : OBSERVATION_ID Subsch. ID : 370 Det. descr. : SET OBSERVATION IDENTIFIER	SET_OBSID SP00N500 00000000 <hex>	SC000500	
		Verify Telemetry OBSID	SM10N500	= 00000000 <hex>	AND=ZAZ90999
	ET=+ UT=+00.00.00	SET_OBS_STEP Command Parameter(s) : OBSERVATION_STEP Subsch. ID : 370 Det. descr. : SET OBSERVATION STEP	SET_OBS_STEP SP03N500 0 <hex>	SC003500	
	ET=+ UT=+00.00.01	SET_BBID Command Parameter(s) : BUILDING_BLOCK_ID Subsch. ID : 370 Det. descr. : SET BUILDING BLOCK IDENTIFIER	SET_BBID SP01N500 80000000 <hex>	SC001500	
		Verify Telemetry BBFULLTYPE	SM2LN500	= Null	AND=ZAZ90999

Mode_DcuFunc11_Phot BDA Switch On Check
 File: H_COP_SPI_DCPN.xls
 Author: L.Lucas-hp



Step No.	Time	Activity/Remarks	TC/TLM	Display/ Branch
	ET=+ UT=+00.00.00	SET_OBS_STEP SET_OBS_STEP Command Parameter(s) : OBSERVATION_STEP SP03N500 Subsch. ID : 370 Det. descr. : SET OBSERVATION STEP	SC003500 0 <hex>	
	ET=+ UT=+00.00.01	SET_BBID SET_BBID Command Parameter(s) : BUILDING_BLOCK_ID SP01N500 Subsch. ID : 370 Det. descr. : SET BUILDING BLOCK IDENTIFIER	SC001500 80020001 <hex>	
		Verify Telemetry BBFULLTYPE SM2LN500	= StartObs	AND=ZAZ90999
3		Set procedure conditions		Next Step: 4
	ET=+ UT=+00.00.00	RESET_DRCU_COUNTERS RESET_DRCU_COUNTERS Subsch. ID : 370 Det. descr. : RESET DRCU COUNTERS	SCD00505	
		Verify that the TRESET parameter has the same value as the THSK parameter TRESET SM01T500	same as THSK	AND=SA_1_559
		THSK SM00T500	any	AND=SA_1_559
		Note that a TM(5,1) packet [New_Step_Report] is generated after each of the following SET_OBS_STEP telecommands		
	ET=+ UT=+00.00.00	SET_OBS_STEP SET_OBS_STEP Command Parameter(s) : OBSERVATION_STEP SP03N500 Subsch. ID : 370 Det. descr. : SET OBSERVATION STEP	SC003500 1 <hex>	
	ET=+ UT=+00.00.01	SET_OBSID SET_OBSID Command Parameter(s) : OBSERVATION_ID SP00N500 Subsch. ID : 370 Det. descr. : SET OBSERVATION IDENTIFIER	SC000500 OBS_ID	
		Verify Telemetry OBSID SM10N500	OBS_ID	AND=ZAZ90999

Mode_DcuFunc11_Phot BDA Switch On Check
 File: H_COP_SPI_DCPN.xls
 Author: L.Lucas-hp



Step No.	Time	Activity/Remarks	TC/TLM	Display/ Branch
	ET=+ UT=+00.00.00	SET_OBS_STEP SET_OBS_STEP Command Parameter(s) : OBSERVATION_STEP SP03N500 Subsch. ID : 370 Det. descr. : SET OBSERVATION STEP	SC003500 0 <hex>	
	ET=+ UT=+00.00.01	SET_BBID SET_BBID Command Parameter(s) : BUILDING_BLOCK_ID SP01N500 Subsch. ID : 370 Det. descr. : SET BUILDING BLOCK IDENTIFIER	SC001500 80000000 <hex>	
		Verify Telemetry BBFULLTYPE SM2LN500	= Null	AND=ZAZ90999
	ET=+ UT=+00.00.00	SET_OBS_STEP SET_OBS_STEP Command Parameter(s) : OBSERVATION_STEP SP03N500 Subsch. ID : 370 Det. descr. : SET OBSERVATION STEP	SC003500 0 <hex>	
	ET=+ UT=+00.00.01	SET_BBID SET_BBID Command Parameter(s) : BUILDING_BLOCK_ID SP01N500 Subsch. ID : 370 Det. descr. : SET BUILDING BLOCK IDENTIFIER	SC001500 85000001 <hex>	
		Verify Telemetry BBFULLTYPE SM2LN500	= PF_BDA_On	AND=SA_6_559
4		Photometer BDA Switch ON check		Next Step: 5
		The next set of TCs to switch on the detectors should be executed as quickly as possible The interval between TCs should not exceed the values given in the procedure No TM parameter checks from the MCS are necessary during the detector switch on		

Mode_DcuFunc11_Phot BDA Switch On Check
 File: H_COP_SPI_DCPN.xls
 Author: L.Lucas-hp



Step No.	Time	Activity/Remarks	TC/TLM	Display/ Branch
	ET=+ UT=+00.00.02	SET_OBS_STEP SET_OBS_STEP Command Parameter(s) : OBSERVATION_STEP SP03N500 TC Control Flags : GBM IL DSE --Y -- --- Subsch. ID : 370 Det. descr. : SET OBSERVATION STEP	SC003500 0 <hex>	
	ET=+ UT=+00.00.00	SET_BBID SET_BBID Command Parameter(s) : BUILDING_BLOCK_ID SP01N500 TC Control Flags : GBM IL DSE --- -- --- Subsch. ID : 370 Det. descr. : SET BUILDING BLOCK IDENTIFIER	SC001500 85000001 <hex>	
	ET=+ UT=+00.00.02	SET_OBS_STEP SET_OBS_STEP Command Parameter(s) : OBSERVATION_STEP SP03N500 TC Control Flags : GBM IL DSE --- -- --- Subsch. ID : 370 Det. descr. : SET OBSERVATION STEP	SC003500 1 <hex>	
	ET=+ UT=+00.00.01	SEND_DRCU_COMMAND SEND_DRCU_COMMAND Command Parameter(s) : DRCUCOMMAND SPD4N505 OVERRIDE SPD9N505 TC Control Flags : GBM IL DSE --- -- --- Subsch. ID : 370 Det. descr. : SEND A SINGLE COMMAND TO THE DRCU	SCD06505 a0870005 <hex> 0 <hex> (Def)	
	ET=+ UT=+00.00.01	SEND_DRCU_COMMAND SEND_DRCU_COMMAND Command Parameter(s) : DRCUCOMMAND SPD4N505 OVERRIDE SPD9N505 TC Control Flags : GBM IL DSE --- -- --- Subsch. ID : 370 Det. descr. : SEND A SINGLE COMMAND TO THE DRCU	SCD06505 840000ff <hex> 0 <hex> (Def)	

Mode_DcuFunc11_Phot BDA Switch On Check
 File: H_COP_SPI_DCPN.xls
 Author: L.Lucas-hp



Step No.	Time	Activity/Remarks	TC/TLM	Display/ Branch
	ET=+ UT=+00.00.00	SEND_DRCU_COMMAND SEND_DRCU_COMMAND Command Parameter(s) : DRCUCOMMAND SPD4N505 OVERRIDE SPD9N505 TC Control Flags : GBM IL DSE --- -- --- Subsch. ID : 370 Det. descr. : SEND A SINGLE COMMAND TO THE DRCU	SCD06505 84190095 <hex> 0 <hex> (Def)	
	ET=+ UT=+00.00.01	SEND_DRCU_COMMAND SEND_DRCU_COMMAND Command Parameter(s) : DRCUCOMMAND SPD4N505 OVERRIDE SPD9N505 TC Control Flags : GBM IL DSE --- -- --- Subsch. ID : 370 Det. descr. : SEND A SINGLE COMMAND TO THE DRCU	SCD06505 84180006 <hex> 0 <hex> (Def)	
	ET=+ UT=+00.00.00	SEND_DRCU_COMMAND SEND_DRCU_COMMAND Command Parameter(s) : DRCUCOMMAND SPD4N505 OVERRIDE SPD9N505 TC Control Flags : GBM IL DSE --- -- --- Subsch. ID : 370 Det. descr. : SEND A SINGLE COMMAND TO THE DRCU	SCD06505 84010002 <hex> 0 <hex> (Def)	
	ET=+ UT=+00.00.01	SEND_DRCU_COMMAND SEND_DRCU_COMMAND Command Parameter(s) : DRCUCOMMAND SPD4N505 OVERRIDE SPD9N505 TC Control Flags : GBM IL DSE --- -- --- Subsch. ID : 370 Det. descr. : SEND A SINGLE COMMAND TO THE DRCU	SCD06505 84020002 <hex> 0 <hex> (Def)	

Mode_DcuFunc11_Phot BDA Switch On Check
 File: H_COP_SPI_DCPN.xls
 Author: L.Lucas-hp



Step No.	Time	Activity/Remarks	TC/TLM	Display/ Branch
	ET=+ UT=+00.00.00	SEND_DRCU_COMMAND SEND_DRCU_COMMAND Command Parameter(s) : DRCUCOMMAND SPD4N505 OVERRIDE SPD9N505 TC Control Flags : GBM IL DSE --- -- --- Subsch. ID : 370 Det. descr. : SEND A SINGLE COMMAND TO THE DRCU	SCD06505 84030002 <hex> 0 <hex> (Def)	
	ET=+ UT=+00.00.01	SEND_DRCU_COMMAND SEND_DRCU_COMMAND Command Parameter(s) : DRCUCOMMAND SPD4N505 OVERRIDE SPD9N505 TC Control Flags : GBM IL DSE --- -- --- Subsch. ID : 370 Det. descr. : SEND A SINGLE COMMAND TO THE DRCU	SCD06505 84040002 <hex> 0 <hex> (Def)	
	ET=+ UT=+00.00.00	SEND_DRCU_COMMAND SEND_DRCU_COMMAND Command Parameter(s) : DRCUCOMMAND SPD4N505 OVERRIDE SPD9N505 TC Control Flags : GBM IL DSE --- -- --- Subsch. ID : 370 Det. descr. : SEND A SINGLE COMMAND TO THE DRCU	SCD06505 841a0080 <hex> 0 <hex> (Def)	
	ET=+ UT=+00.00.01	SEND_DRCU_COMMAND SEND_DRCU_COMMAND Command Parameter(s) : DRCUCOMMAND SPD4N505 OVERRIDE SPD9N505 TC Control Flags : GBM IL DSE --- -- --- Subsch. ID : 370 Det. descr. : SEND A SINGLE COMMAND TO THE DRCU	SCD06505 841b0080 <hex> 0 <hex> (Def)	

Mode_DcuFunc11_Phot BDA Switch On Check
 File: H_COP_SPI_DCPN.xls
 Author: L.Lucas-hp



Step No.	Time	Activity/Remarks	TC/TLM	Display/ Branch
	ET=+ UT=+00.00.00	SEND_DRCU_COMMAND SEND_DRCU_COMMAND Command Parameter(s) : DRCUCOMMAND SPD4N505 OVERRIDE SPD9N505 TC Control Flags : GBM IL DSE --- -- --- Subsch. ID : 370 Det. descr. : SEND A SINGLE COMMAND TO THE DRCU	SCD06505 841c0080 <hex> 0 <hex> (Def)	
	ET=+ UT=+00.00.01	SEND_DRCU_COMMAND SEND_DRCU_COMMAND Command Parameter(s) : DRCUCOMMAND SPD4N505 OVERRIDE SPD9N505 TC Control Flags : GBM IL DSE --- -- --- Subsch. ID : 370 Det. descr. : SEND A SINGLE COMMAND TO THE DRCU	SCD06505 841d0080 <hex> 0 <hex> (Def)	
	ET=+ UT=+00.00.01	SEND_DRCU_COMMAND SEND_DRCU_COMMAND Command Parameter(s) : DRCUCOMMAND SPD4N505 OVERRIDE SPD9N505 TC Control Flags : GBM IL DSE --- -- --- Subsch. ID : 370 Det. descr. : SEND A SINGLE COMMAND TO THE DRCU	SCD06505 843c0010 <hex> 0 <hex> (Def)	
	ET=+ UT=+00.00.00	SEND_DRCU_COMMAND SEND_DRCU_COMMAND Command Parameter(s) : DRCUCOMMAND SPD4N505 OVERRIDE SPD9N505 TC Control Flags : GBM IL DSE --- -- --- Subsch. ID : 370 Det. descr. : SEND A SINGLE COMMAND TO THE DRCU	SCD06505 843e0001 <hex> 0 <hex> (Def)	

Mode_DcuFunc11_Phot BDA Switch On Check
 File: H_COP_SPI_DCPN.xls
 Author: L.Lucas-hp



Step No.	Time	Activity/Remarks	TC/TLM	Display/ Branch
	ET=+ UT=+00.00.02	SEND_DRCU_COMMAND SEND_DRCU_COMMAND Command Parameter(s) : DRCUCOMMAND SPD4N505 OVERRIDE SPD9N505 TC Control Flags : GBM IL DSE --- -- --- Subsch. ID : 370 Det. descr. : SEND A SINGLE COMMAND TO THE DRCU	SCD06505 843e0000 <hex> 0 <hex> (Def)	
	ET=+ UT=+00.00.00	SEND_DRCU_COMMAND SEND_DRCU_COMMAND Command Parameter(s) : DRCUCOMMAND SPD4N505 OVERRIDE SPD9N505 TC Control Flags : GBM IL DSE --- -- --- Subsch. ID : 370 Det. descr. : SEND A SINGLE COMMAND TO THE DRCU	SCD06505 843c0018 <hex> 0 <hex> (Def)	
	ET=+ UT=+00.00.01	SEND_DRCU_COMMAND SEND_DRCU_COMMAND Command Parameter(s) : DRCUCOMMAND SPD4N505 OVERRIDE SPD9N505 TC Control Flags : GBM IL DSE --- -- --- Subsch. ID : 370 Det. descr. : SEND A SINGLE COMMAND TO THE DRCU	SCD06505 843e0001 <hex> 0 <hex> (Def)	
	ET=+ UT=+00.00.03	SEND_DRCU_COMMAND SEND_DRCU_COMMAND Command Parameter(s) : DRCUCOMMAND SPD4N505 OVERRIDE SPD9N505 TC Control Flags : GBM IL DSE --- -- --- Subsch. ID : 370 Det. descr. : SEND A SINGLE COMMAND TO THE DRCU	SCD06505 843e0000 <hex> 0 <hex> (Def)	

Mode_DcuFunc11_Phot BDA Switch On Check
 File: H_COP_SPI_DCPN.xls
 Author: L.Lucas-hp



Step No.	Time	Activity/Remarks	TC/TLM	Display/ Branch
	ET=+ UT=+00.00.03	SEND_DRCU_COMMAND SEND_DRCU_COMMAND Command Parameter(s) : DRCUCOMMAND SPD4N505 OVERRIDE SPD9N505 TC Control Flags : GBM IL DSE --- -- --- Subsch. ID : 370 Det. descr. : SEND A SINGLE COMMAND TO THE DRCU	SCD06505 8405004c <hex> 0 <hex> (Def)	
	ET=+ UT=+00.00.00	SEND_DRCU_COMMAND SEND_DRCU_COMMAND Command Parameter(s) : DRCUCOMMAND SPD4N505 OVERRIDE SPD9N505 TC Control Flags : GBM IL DSE --- -- --- Subsch. ID : 370 Det. descr. : SEND A SINGLE COMMAND TO THE DRCU	SCD06505 84120001 <hex> 0 <hex> (Def)	
	ET=+ UT=+00.00.01	SEND_DRCU_COMMAND SEND_DRCU_COMMAND Command Parameter(s) : DRCUCOMMAND SPD4N505 OVERRIDE SPD9N505 TC Control Flags : GBM IL DSE --- -- --- Subsch. ID : 370 Det. descr. : SEND A SINGLE COMMAND TO THE DRCU	SCD06505 8406004c <hex> 0 <hex> (Def)	
	ET=+ UT=+00.00.00	SEND_DRCU_COMMAND SEND_DRCU_COMMAND Command Parameter(s) : DRCUCOMMAND SPD4N505 OVERRIDE SPD9N505 TC Control Flags : GBM IL DSE --- -- --- Subsch. ID : 370 Det. descr. : SEND A SINGLE COMMAND TO THE DRCU	SCD06505 84120003 <hex> 0 <hex> (Def)	

Mode_DcuFunc11_Phot BDA Switch On Check
 File: H_COP_SPI_DCPN.xls
 Author: L.Lucas-hp



Step No.	Time	Activity/Remarks	TC/TLM	Display/ Branch
	ET=+ UT=+00.00.01	SEND_DRCU_COMMAND SEND_DRCU_COMMAND Command Parameter(s) : DRCUCOMMAND SPD4N505 OVERRIDE SPD9N505 TC Control Flags : GBM IL DSE --- -- --- Subsch. ID : 370 Det. descr. : SEND A SINGLE COMMAND TO THE DRCU	SCD06505 8407004c <hex> 0 <hex> (Def)	
	ET=+ UT=+00.00.00	SEND_DRCU_COMMAND SEND_DRCU_COMMAND Command Parameter(s) : DRCUCOMMAND SPD4N505 OVERRIDE SPD9N505 TC Control Flags : GBM IL DSE --- -- --- Subsch. ID : 370 Det. descr. : SEND A SINGLE COMMAND TO THE DRCU	SCD06505 84120007 <hex> 0 <hex> (Def)	
	ET=+ UT=+00.00.01	SEND_DRCU_COMMAND SEND_DRCU_COMMAND Command Parameter(s) : DRCUCOMMAND SPD4N505 OVERRIDE SPD9N505 TC Control Flags : GBM IL DSE --- -- --- Subsch. ID : 370 Det. descr. : SEND A SINGLE COMMAND TO THE DRCU	SCD06505 8408004c <hex> 0 <hex> (Def)	
	ET=+ UT=+00.00.00	SEND_DRCU_COMMAND SEND_DRCU_COMMAND Command Parameter(s) : DRCUCOMMAND SPD4N505 OVERRIDE SPD9N505 TC Control Flags : GBM IL DSE --- -- --- Subsch. ID : 370 Det. descr. : SEND A SINGLE COMMAND TO THE DRCU	SCD06505 8412000f <hex> 0 <hex> (Def)	

Mode_DcuFunc11_Phot BDA Switch On Check
 File: H_COP_SPI_DCPN.xls
 Author: L.Lucas-hp



Step No.	Time	Activity/Remarks	TC/TLM	Display/ Branch
	ET=+ UT=+00.00.01	SEND_DRCU_COMMAND SEND_DRCU_COMMAND Command Parameter(s) : DRCUCOMMAND SPD4N505 OVERRIDE SPD9N505 TC Control Flags : GBM IL DSE --- -- --- Subsch. ID : 370 Det. descr. : SEND A SINGLE COMMAND TO THE DRCU	SCD06505 8409004c <hex> 0 <hex> (Def)	
	ET=+ UT=+00.00.00	SEND_DRCU_COMMAND SEND_DRCU_COMMAND Command Parameter(s) : DRCUCOMMAND SPD4N505 OVERRIDE SPD9N505 TC Control Flags : GBM IL DSE --- -- --- Subsch. ID : 370 Det. descr. : SEND A SINGLE COMMAND TO THE DRCU	SCD06505 8412001f <hex> 0 <hex> (Def)	
	ET=+ UT=+00.00.01	SEND_DRCU_COMMAND SEND_DRCU_COMMAND Command Parameter(s) : DRCUCOMMAND SPD4N505 OVERRIDE SPD9N505 TC Control Flags : GBM IL DSE --- -- --- Subsch. ID : 370 Det. descr. : SEND A SINGLE COMMAND TO THE DRCU	SCD06505 840a004c <hex> 0 <hex> (Def)	
	ET=+ UT=+00.00.00	SEND_DRCU_COMMAND SEND_DRCU_COMMAND Command Parameter(s) : DRCUCOMMAND SPD4N505 OVERRIDE SPD9N505 TC Control Flags : GBM IL DSE --- -- --- Subsch. ID : 370 Det. descr. : SEND A SINGLE COMMAND TO THE DRCU	SCD06505 8412003f <hex> 0 <hex> (Def)	

Mode_DcuFunc11_Phot BDA Switch On Check
 File: H_COP_SPI_DCPN.xls
 Author: L.Lucas-hp



Step No.	Time	Activity/Remarks	TC/TLM	Display/ Branch
	ET=+ UT=+00.00.01	SEND_DRCU_COMMAND SEND_DRCU_COMMAND Command Parameter(s) : DRCUCOMMAND SPD4N505 OVERRIDE SPD9N505 TC Control Flags : GBM IL DSE --- -- --- Subsch. ID : 370 Det. descr. : SEND A SINGLE COMMAND TO THE DRCU	SCD06505 840b004c <hex> 0 <hex> (Def)	
	ET=+ UT=+00.00.00	SEND_DRCU_COMMAND SEND_DRCU_COMMAND Command Parameter(s) : DRCUCOMMAND SPD4N505 OVERRIDE SPD9N505 TC Control Flags : GBM IL DSE --- -- --- Subsch. ID : 370 Det. descr. : SEND A SINGLE COMMAND TO THE DRCU	SCD06505 84130001 <hex> 0 <hex> (Def)	
	ET=+ UT=+00.00.01	SEND_DRCU_COMMAND SEND_DRCU_COMMAND Command Parameter(s) : DRCUCOMMAND SPD4N505 OVERRIDE SPD9N505 TC Control Flags : GBM IL DSE --- -- --- Subsch. ID : 370 Det. descr. : SEND A SINGLE COMMAND TO THE DRCU	SCD06505 840c004c <hex> 0 <hex> (Def)	
	ET=+ UT=+00.00.00	SEND_DRCU_COMMAND SEND_DRCU_COMMAND Command Parameter(s) : DRCUCOMMAND SPD4N505 OVERRIDE SPD9N505 TC Control Flags : GBM IL DSE --- -- --- Subsch. ID : 370 Det. descr. : SEND A SINGLE COMMAND TO THE DRCU	SCD06505 84130003 <hex> 0 <hex> (Def)	

Mode_DcuFunc11_Phot BDA Switch On Check
 File: H_COP_SPI_DCPN.xls
 Author: L.Lucas-hp



Step No.	Time	Activity/Remarks	TC/TLM	Display/ Branch
	ET=+ UT=+00.00.01	SEND_DRCU_COMMAND SEND_DRCU_COMMAND Command Parameter(s) : DRCUCOMMAND SPD4N505 OVERRIDE SPD9N505 TC Control Flags : GBM IL DSE --- -- --- Subsch. ID : 370 Det. descr. : SEND A SINGLE COMMAND TO THE DRCU	SCD06505 840d004c <hex> 0 <hex> (Def)	
	ET=+ UT=+00.00.00	SEND_DRCU_COMMAND SEND_DRCU_COMMAND Command Parameter(s) : DRCUCOMMAND SPD4N505 OVERRIDE SPD9N505 TC Control Flags : GBM IL DSE --- -- --- Subsch. ID : 370 Det. descr. : SEND A SINGLE COMMAND TO THE DRCU	SCD06505 84130007 <hex> 0 <hex> (Def)	
	ET=+ UT=+00.00.01	SEND_DRCU_COMMAND SEND_DRCU_COMMAND Command Parameter(s) : DRCUCOMMAND SPD4N505 OVERRIDE SPD9N505 TC Control Flags : GBM IL DSE --- -- --- Subsch. ID : 370 Det. descr. : SEND A SINGLE COMMAND TO THE DRCU	SCD06505 840e004c <hex> 0 <hex> (Def)	
	ET=+ UT=+00.00.00	SEND_DRCU_COMMAND SEND_DRCU_COMMAND Command Parameter(s) : DRCUCOMMAND SPD4N505 OVERRIDE SPD9N505 TC Control Flags : GBM IL DSE --- -- --- Subsch. ID : 370 Det. descr. : SEND A SINGLE COMMAND TO THE DRCU	SCD06505 8413000f <hex> 0 <hex> (Def)	

Mode_DcuFunc11_Phot BDA Switch On Check
 File: H_COP_SPI_DCPN.xls
 Author: L.Lucas-hp



Step No.	Time	Activity/Remarks	TC/TLM	Display/ Branch
	ET=+ UT=+00.00.01	SEND_DRCU_COMMAND SEND_DRCU_COMMAND Command Parameter(s) : DRCUCOMMAND SPD4N505 OVERRIDE SPD9N505 TC Control Flags : GBM IL DSE --- -- --- Subsch. ID : 370 Det. descr. : SEND A SINGLE COMMAND TO THE DRCU	SCD06505 840f004c <hex> 0 <hex> (Def)	
	ET=+ UT=+00.00.00	SEND_DRCU_COMMAND SEND_DRCU_COMMAND Command Parameter(s) : DRCUCOMMAND SPD4N505 OVERRIDE SPD9N505 TC Control Flags : GBM IL DSE --- -- --- Subsch. ID : 370 Det. descr. : SEND A SINGLE COMMAND TO THE DRCU	SCD06505 8413001f <hex> 0 <hex> (Def)	
	ET=+ UT=+00.00.01	SEND_DRCU_COMMAND SEND_DRCU_COMMAND Command Parameter(s) : DRCUCOMMAND SPD4N505 OVERRIDE SPD9N505 TC Control Flags : GBM IL DSE --- -- --- Subsch. ID : 370 Det. descr. : SEND A SINGLE COMMAND TO THE DRCU	SCD06505 8410004c <hex> 0 <hex> (Def)	
	ET=+ UT=+00.00.00	SEND_DRCU_COMMAND SEND_DRCU_COMMAND Command Parameter(s) : DRCUCOMMAND SPD4N505 OVERRIDE SPD9N505 TC Control Flags : GBM IL DSE --- -- --- Subsch. ID : 370 Det. descr. : SEND A SINGLE COMMAND TO THE DRCU	SCD06505 8413003f <hex> 0 <hex> (Def)	

Mode_DcuFunc11_Phot BDA Switch On Check
 File: H_COP_SPI_DCPN.xls
 Author: L.Lucas-hp



Step No.	Time	Activity/Remarks	TC/TLM	Display/ Branch
	ET=+ UT=+00.00.01	SEND_DRCU_COMMAND SEND_DRCU_COMMAND Command Parameter(s) : DRCUCOMMAND SPD4N505 OVERRIDE SPD9N505 TC Control Flags : GBM IL DSE --- -- --- Subsch. ID : 370 Det. descr. : SEND A SINGLE COMMAND TO THE DRCU	SCD06505 8414004c <hex> 0 <hex> (Def)	
	ET=+ UT=+00.00.00	SEND_DRCU_COMMAND SEND_DRCU_COMMAND Command Parameter(s) : DRCUCOMMAND SPD4N505 OVERRIDE SPD9N505 TC Control Flags : GBM IL DSE --- -- --- Subsch. ID : 370 Det. descr. : SEND A SINGLE COMMAND TO THE DRCU	SCD06505 8413007f <hex> 0 <hex> (Def)	
	ET=+ UT=+00.00.30	SEND_DRCU_COMMAND SEND_DRCU_COMMAND Command Parameter(s) : DRCUCOMMAND SPD4N505 OVERRIDE SPD9N505 TC Control Flags : GBM IL DSE --- -- --- Subsch. ID : 370 Det. descr. : SEND A SINGLE COMMAND TO THE DRCU	SCD06505 8401003e <hex> 0 <hex> (Def)	
	ET=+ UT=+00.00.01	SEND_DRCU_COMMAND SEND_DRCU_COMMAND Command Parameter(s) : DRCUCOMMAND SPD4N505 OVERRIDE SPD9N505 TC Control Flags : GBM IL DSE --- -- --- Subsch. ID : 370 Det. descr. : SEND A SINGLE COMMAND TO THE DRCU	SCD06505 8402003e <hex> 0 <hex> (Def)	

Mode_DcuFunc11_Phot BDA Switch On Check
 File: H_COP_SPI_DCPN.xls
 Author: L.Lucas-hp



Step No.	Time	Activity/Remarks	TC/TLM	Display/ Branch
	ET=+ UT=+00.00.01	SEND_DRCU_COMMAND SEND_DRCU_COMMAND Command Parameter(s) : DRCUCOMMAND SPD4N505 OVERRIDE SPD9N505 TC Control Flags : GBM IL DSE --- -- --- Subsch. ID : 370 Det. descr. : SEND A SINGLE COMMAND TO THE DRCU	SCD06505 8403003e <hex> 0 <hex> (Def)	
	ET=+ UT=+00.00.01	SEND_DRCU_COMMAND SEND_DRCU_COMMAND Command Parameter(s) : DRCUCOMMAND SPD4N505 OVERRIDE SPD9N505 TC Control Flags : GBM IL DSE --- -- --- Subsch. ID : 370 Det. descr. : SEND A SINGLE COMMAND TO THE DRCU	SCD06505 84040080 <hex> 0 <hex> (Def)	
	ET=+ UT=+00.00.01	SEND_DRCU_COMMAND SEND_DRCU_COMMAND Command Parameter(s) : DRCUCOMMAND SPD4N505 OVERRIDE SPD9N505 TC Control Flags : GBM IL DSE --- -- --- Subsch. ID : 370 Det. descr. : SEND A SINGLE COMMAND TO THE DRCU	SCD06505 843e0000 <hex> 0 <hex> (Def)	
	ET=+ UT=+00.00.01	FLUSH_FIFO FLUSH_FIFO Command Parameter(s) : FIFOFLAGS SPD0N505 TC Control Flags : GBM IL DSE --- -- --- Subsch. ID : 370 Det. descr. : FORCE DPU TO READ SCIENCE DATA FROM FIFOS AND FLUSH CONTENTS	SCD01505 1000 <hex>	

Mode_DcuFunc11_Phot BDA Switch On Check
 File: H_COP_SPI_DCPN.xls
 Author: L.Lucas-hp



Step No.	Time	Activity/Remarks	TC/TLM	Display/ Branch
	ET=+ UT=+00.00.03	SEND_DRCU_COMMAND SEND_DRCU_COMMAND Command Parameter(s) : DRCUCOMMAND SPD4N505 OVERRIDE SPD9N505 TC Control Flags : GBM IL DSE --- -- --- Subsch. ID : 370 Det. descr. : SEND A SINGLE COMMAND TO THE DRCU	SCD06505 843c0010 <hex> 0 <hex> (Def)	
	ET=+ UT=+00.00.00	SEND_DRCU_COMMAND SEND_DRCU_COMMAND Command Parameter(s) : DRCUCOMMAND SPD4N505 OVERRIDE SPD9N505 TC Control Flags : GBM IL DSE --- -- --- Subsch. ID : 370 Det. descr. : SEND A SINGLE COMMAND TO THE DRCU	SCD06505 843e0001 <hex> 0 <hex> (Def)	
	ET=+ UT=+00.00.02	SEND_DRCU_COMMAND SEND_DRCU_COMMAND Command Parameter(s) : DRCUCOMMAND SPD4N505 OVERRIDE SPD9N505 TC Control Flags : GBM IL DSE --- -- --- Subsch. ID : 370 Det. descr. : SEND A SINGLE COMMAND TO THE DRCU	SCD06505 843e0000 <hex> 0 <hex> (Def)	
	ET=+ UT=+00.00.00	SEND_DRCU_COMMAND SEND_DRCU_COMMAND Command Parameter(s) : DRCUCOMMAND SPD4N505 OVERRIDE SPD9N505 TC Control Flags : GBM IL DSE --- -- --- Subsch. ID : 370 Det. descr. : SEND A SINGLE COMMAND TO THE DRCU	SCD06505 843c0018 <hex> 0 <hex> (Def)	

Mode_DcuFunc11_Phot BDA Switch On Check
 File: H_COP_SPI_DCPN.xls
 Author: L.Lucas-hp



Step No.	Time	Activity/Remarks	TC/TLM	Display/ Branch
	ET=+ UT=+00.00.01	SEND_DRCU_COMMAND SEND_DRCU_COMMAND Command Parameter(s) : DRCUCOMMAND SPD4N505 OVERRIDE SPD9N505 TC Control Flags : GBM IL DSE --- -- --- Subsch. ID : 370 Det. descr. : SEND A SINGLE COMMAND TO THE DRCU	SCD06505 843e0001 <hex> 0 <hex> (Def)	
	ET=+ UT=+00.00.03	SEND_DRCU_COMMAND SEND_DRCU_COMMAND Command Parameter(s) : DRCUCOMMAND SPD4N505 OVERRIDE SPD9N505 TC Control Flags : GBM IL DSE --- -- --- Subsch. ID : 370 Det. descr. : SEND A SINGLE COMMAND TO THE DRCU	SCD06505 843e0000 <hex> 0 <hex> (Def)	
	ET=+ UT=+00.00.00	FLUSH_FIFO FLUSH_FIFO Command Parameter(s) : FIFOFLAGS SPD0N505 TC Control Flags : GBM IL DSE --- -- --- Subsch. ID : 370 Det. descr. : FORCE DPU TO READ SCIENCE DATA FROM FIFOS AND FLUSH CONTENTS	SCD01505 1000 <hex>	
	ET=+ UT=+00.00.01	SEND_DRCU_COMMAND SEND_DRCU_COMMAND Command Parameter(s) : DRCUCOMMAND SPD4N505 OVERRIDE SPD9N505 TC Control Flags : GBM IL DSE --- -- --- Subsch. ID : 370 Det. descr. : SEND A SINGLE COMMAND TO THE DRCU	SCD06505 843c0000 <hex> 0 <hex> (Def)	

Mode_DcuFunc11_Phot BDA Switch On Check
 File: H_COP_SPI_DCPN.xls
 Author: L.Lucas-hp



Step No.	Time	Activity/Remarks	TC/TLM	Display/ Branch
	ET=+ UT=+00.00.00	SEND_DRCU_COMMAND SEND_DRCU_COMMAND Command Parameter(s) : DRCUCOMMAND SPD4N505 OVERRIDE SPD9N505 TC Control Flags : GBM IL DSE --- -- --- Subsch. ID : 370 Det. descr. : SEND A SINGLE COMMAND TO THE DRCU	SCD06505 843d0000 <hex> 0 <hex> (Def)	
	ET=+ UT=+00.00.01	SEND_DRCU_COMMAND SEND_DRCU_COMMAND Command Parameter(s) : DRCUCOMMAND SPD4N505 OVERRIDE SPD9N505 TC Control Flags : GBM IL DSE --- -- --- Subsch. ID : 370 Det. descr. : SEND A SINGLE COMMAND TO THE DRCU	SCD06505 843e0001 <hex> 0 <hex> (Def)	
	ET=+ UT=+00.00.30	SEND_DRCU_COMMAND SEND_DRCU_COMMAND Command Parameter(s) : DRCUCOMMAND SPD4N505 OVERRIDE SPD9N505 TC Control Flags : GBM IL DSE --- -- --- Subsch. ID : 370 Det. descr. : SEND A SINGLE COMMAND TO THE DRCU	SCD06505 84050052 <hex> 0 <hex> (Def)	
	ET=+ UT=+00.00.00	SEND_DRCU_COMMAND SEND_DRCU_COMMAND Command Parameter(s) : DRCUCOMMAND SPD4N505 OVERRIDE SPD9N505 TC Control Flags : GBM IL DSE --- -- --- Subsch. ID : 370 Det. descr. : SEND A SINGLE COMMAND TO THE DRCU	SCD06505 84060052 <hex> 0 <hex> (Def)	

Mode_DcuFunc11_Phot BDA Switch On Check
 File: H_COP_SPI_DCPN.xls
 Author: L.Lucas-hp



Step No.	Time	Activity/Remarks	TC/TLM	Display/ Branch
	ET=+ UT=+00.00.01	SEND_DRCU_COMMAND SEND_DRCU_COMMAND Command Parameter(s) : DRCUCOMMAND SPD4N505 OVERRIDE SPD9N505 TC Control Flags : GBM IL DSE --- -- --- Subsch. ID : 370 Det. descr. : SEND A SINGLE COMMAND TO THE DRCU	SCD06505 84070047 <hex> 0 <hex> (Def)	
	ET=+ UT=+00.00.00	SEND_DRCU_COMMAND SEND_DRCU_COMMAND Command Parameter(s) : DRCUCOMMAND SPD4N505 OVERRIDE SPD9N505 TC Control Flags : GBM IL DSE --- -- --- Subsch. ID : 370 Det. descr. : SEND A SINGLE COMMAND TO THE DRCU	SCD06505 84080052 <hex> 0 <hex> (Def)	
	ET=+ UT=+00.00.01	SEND_DRCU_COMMAND SEND_DRCU_COMMAND Command Parameter(s) : DRCUCOMMAND SPD4N505 OVERRIDE SPD9N505 TC Control Flags : GBM IL DSE --- -- --- Subsch. ID : 370 Det. descr. : SEND A SINGLE COMMAND TO THE DRCU	SCD06505 8409005c <hex> 0 <hex> (Def)	
	ET=+ UT=+00.00.00	SEND_DRCU_COMMAND SEND_DRCU_COMMAND Command Parameter(s) : DRCUCOMMAND SPD4N505 OVERRIDE SPD9N505 TC Control Flags : GBM IL DSE --- -- --- Subsch. ID : 370 Det. descr. : SEND A SINGLE COMMAND TO THE DRCU	SCD06505 840a0052 <hex> 0 <hex> (Def)	

Mode_DcuFunc11_Phot BDA Switch On Check
 File: H_COP_SPI_DCPN.xls
 Author: L.Lucas-hp



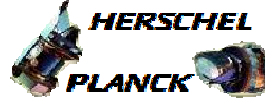
Step No.	Time	Activity/Remarks	TC/TLM	Display/ Branch
	ET=+ UT=+00.00.01	SEND_DRCU_COMMAND SEND_DRCU_COMMAND Command Parameter(s) : DRCUCOMMAND SPD4N505 OVERRIDE SPD9N505 TC Control Flags : GBM IL DSE --- -- --- Subsch. ID : 370 Det. descr. : SEND A SINGLE COMMAND TO THE DRCU	SCD06505 840b005c <hex> 0 <hex> (Def)	
	ET=+ UT=+00.00.00	SEND_DRCU_COMMAND SEND_DRCU_COMMAND Command Parameter(s) : DRCUCOMMAND SPD4N505 OVERRIDE SPD9N505 TC Control Flags : GBM IL DSE --- -- --- Subsch. ID : 370 Det. descr. : SEND A SINGLE COMMAND TO THE DRCU	SCD06505 840c0066 <hex> 0 <hex> (Def)	
	ET=+ UT=+00.00.01	SEND_DRCU_COMMAND SEND_DRCU_COMMAND Command Parameter(s) : DRCUCOMMAND SPD4N505 OVERRIDE SPD9N505 TC Control Flags : GBM IL DSE --- -- --- Subsch. ID : 370 Det. descr. : SEND A SINGLE COMMAND TO THE DRCU	SCD06505 840d0052 <hex> 0 <hex> (Def)	
	ET=+ UT=+00.00.00	SEND_DRCU_COMMAND SEND_DRCU_COMMAND Command Parameter(s) : DRCUCOMMAND SPD4N505 OVERRIDE SPD9N505 TC Control Flags : GBM IL DSE --- -- --- Subsch. ID : 370 Det. descr. : SEND A SINGLE COMMAND TO THE DRCU	SCD06505 840e005c <hex> 0 <hex> (Def)	

Mode_DcuFunc11_Phot BDA Switch On Check
 File: H_COP_SPI_DCPN.xls
 Author: L.Lucas-hp



Step No.	Time	Activity/Remarks	TC/TLM	Display/ Branch
	ET=+ UT=+00.00.01	SEND_DRCU_COMMAND SEND_DRCU_COMMAND Command Parameter(s) : DRCUCOMMAND SPD4N505 OVERRIDE SPD9N505 TC Control Flags : GBM IL DSE --- -- --- Subsch. ID : 370 Det. descr. : SEND A SINGLE COMMAND TO THE DRCU	SCD06505 840f005c <hex> 0 <hex> (Def)	
	ET=+ UT=+00.00.00	SEND_DRCU_COMMAND SEND_DRCU_COMMAND Command Parameter(s) : DRCUCOMMAND SPD4N505 OVERRIDE SPD9N505 TC Control Flags : GBM IL DSE --- -- --- Subsch. ID : 370 Det. descr. : SEND A SINGLE COMMAND TO THE DRCU	SCD06505 84100047 <hex> 0 <hex> (Def)	
	ET=+ UT=+00.00.01	SEND_DRCU_COMMAND SEND_DRCU_COMMAND Command Parameter(s) : DRCUCOMMAND SPD4N505 OVERRIDE SPD9N505 TC Control Flags : GBM IL DSE --- -- --- Subsch. ID : 370 Det. descr. : SEND A SINGLE COMMAND TO THE DRCU	SCD06505 84140052 <hex> 0 <hex> (Def)	
	ET=+ UT=+00.00.01	SET_OBS_STEP SET_OBS_STEP Command Parameter(s) : OBSERVATION_STEP SP03N500 TC Control Flags : GBM IL DSE --- -- --- Subsch. ID : 370 Det. descr. : SET OBSERVATION STEP	SC003500 0 <hex>	

Mode_DcuFunc11_Phot BDA Switch On Check
 File: H_COP_SPI_DCPN.xls
 Author: L.Lucas-hp



Step No.	Time	Activity/Remarks	TC/TLM	Display/ Branch	
	ET=+ UT=+00.00.00	SET_BBID Command Parameter(s) : BUILDING_BLOCK_ID TC Control Flags : Subsch. ID : 370 Det. descr. : SET BUILDING BLOCK IDENTIFIER	SET_BBID SP01N500 GBM IL DSE --- -- --	SC001500 80000000 <hex>	
	ET=+ UT=+00.01.02	SET_OBS_STEP Command Parameter(s) : OBSERVATION_STEP TC Control Flags : Subsch. ID : 370 Det. descr. : SET OBSERVATION STEP	SET_OBS_STEP SP03N500 GBM IL DSE --- -- --	SC003500 0 <hex>	
	ET=+ UT=+00.00.00	SET_BBID Command Parameter(s) : BUILDING_BLOCK_ID TC Control Flags : Subsch. ID : 370 Det. descr. : SET BUILDING BLOCK IDENTIFIER	SET_BBID SP01N500 GBM IL DSE --- -- --	SC001500 88360001 <hex>	
	ET=+ UT=+00.00.02	SET_OBS_STEP Command Parameter(s) : OBSERVATION_STEP TC Control Flags : Subsch. ID : 370 Det. descr. : SET OBSERVATION STEP	SET_OBS_STEP SP03N500 GBM IL DSE --- -- --	SC003500 1 <hex>	
	ET=+ UT=+00.00.00	SEND_DRCU_COMMAND Command Parameter(s) : DRCUCOMMAND OVERRIDE TC Control Flags : Subsch. ID : 370 Det. descr. : SEND A SINGLE COMMAND TO THE DRCU	SEND_DRCU_COMMAND SPD4N505 SPD9N505 GBM IL DSE --- -- --	SCD06505 843e0000 <hex> 0 <hex> (Def)	

Mode_DcuFunc11_Phot BDA Switch On Check
 File: H_COP_SPI_DCPN.xls
 Author: L.Lucas-hp



Step No.	Time	Activity/Remarks	TC/TLM	Display/ Branch
	ET=+ UT=+00.00.01	FLUSH_FIFO FLUSH_FIFO Command Parameter(s) : FIFOFLAGS SPD0N505 TC Control Flags : GBM IL DSE --- -- Subsch. ID : 370 Det. descr. : FORCE DPU TO READ SCIENCE DATA FROM FIFOS AND FLUSH CONTENTS	SCD01505 1000 <hex>	
	ET=+ UT=+00.00.03	RESET_FIFOS RESET_FIFOS Command Parameter(s) : RESETFLAGS SPDDN505 TC Control Flags : GBM IL DSE --- -- Subsch. ID : 370 Det. descr. : RESET FIFOS	SCD07505 7000 <hex>	
4.1		TM Checks		<input type="checkbox"/>
		Verify Telemetry is set to 0x3F PSWJFETSTAT SM20F510		AND=SA_6_559
		Verify Telemetry is set tp 0x7F PMLWJFETSTAT SM80F510		AND=SA_6_559
		Verify Telemetry is +5.17V +/-0.1V PLIAP5V SML0V510		AND=SA_5_559
		Verify Telemetry is set to 1 (ON) PLIABITSTAT SM_0X520	= ON	AND=SA_6_559
		Verify Telemetry is 11.535V +/- 0.1V PLIAP9V SML1V510		AND=SA_5_559
		Verify Telemetry is set to 11.53V +/-0.1V PLIAM9V SML2V510		AND=SA_5_559
5		Set default end conditions		Next Step: END
		Note that a TM(5,1) packet [New_Step_Report] is generated after each of the following SET_OBS_STEP telecommands		

Mode_DcuFunc11_Phot BDA Switch On Check
 File: H_COP_SPI_DCPN.xls
 Author: L.Lucas-hp



Step No.	Time	Activity/Remarks	TC/TLM	Display/ Branch
	ET=+ UT=+00.00.00	SET_OBS_STEP SET_OBS_STEP Command Parameter(s) : OBSERVATION_STEP SP03N500 Subsch. ID : 370 Det. descr. : SET OBSERVATION STEP	SC003500 0 <hex>	
	ET=+ UT=+00.00.01	SET_BBID SET_BBID Command Parameter(s) : BUILDING_BLOCK_ID SP01N500 Subsch. ID : 370 Det. descr. : SET BUILDING BLOCK IDENTIFIER	SC001500 80000000 <hex>	
		Verify Telemetry BBFULLTYPE SM2LN500	= Null	AND=ZAZ90999
	ET=+ UT=+00.00.00	SET_OBS_STEP SET_OBS_STEP Command Parameter(s) : OBSERVATION_STEP SP03N500 Subsch. ID : 370 Det. descr. : SET OBSERVATION STEP	SC003500 0 <hex>	
	ET=+ UT=+00.00.01	SET_BBID SET_BBID Command Parameter(s) : BUILDING_BLOCK_ID SP01N500 Subsch. ID : 370 Det. descr. : SET BUILDING BLOCK IDENTIFIER	SC001500 80030001 <hex>	
		Verify Telemetry BBFULLTYPE SM2LN500	= EndObs	AND=ZAZ90999
	ET=+ UT=+00.00.00	SET_OBS_STEP SET_OBS_STEP Command Parameter(s) : OBSERVATION_STEP SP03N500 Subsch. ID : 370 Det. descr. : SET OBSERVATION STEP	SC003500 1 <hex>	
	ET=+ UT=+00.00.01	SET_OBSID SET_OBSID Command Parameter(s) : OBSERVATION_ID SP00N500 Subsch. ID : 370 Det. descr. : SET OBSERVATION IDENTIFIER	SC000500 00000000 <hex>	

Mode_DcuFunc11_Phot BDA Switch On Check
 File: H_COP_SPI_DCPN.xls
 Author: L.Lucas-hp



Step No.	Time	Activity/Remarks	TC/TLM	Display/ Branch
		Verify Telemetry OBSID SM10N500	= 00000000 <hex>	AND=ZAZ90999
	ET=+ UT=+00.00.00	SET_OBS_STEP <i>Command Parameter(s) :</i> OBSERVATION_STEP SP03N500 <i>Subsch. ID : 370</i> <i>Det. descr. : SET OBSERVATION STEP</i>	SC003500 0 <hex>	
	ET=+ UT=+00.00.01	SET_BBID <i>Command Parameter(s) :</i> BUILDING_BLOCK_ID SP01N500 <i>Subsch. ID : 370</i> <i>Det. descr. : SET BUILDING BLOCK IDENTIFIER</i>	SC001500 80000000 <hex>	
		Verify Telemetry BBFULLTYPE SM2LN500	= Null	AND=ZAZ90999
End of Procedure				