

PACS_Spec_Gra_IST_Check_4_OBS
 File: H_COP_PAC_X011.xls
 Author: R. Biggins



Procedure Summary

Objectives

The objective of this procedure is to check the stability of the grating under a given set of controller parameters. This is done by configuring the grating (incl Homing) and enabling and disabling the grating after 2 relative movements.

Based on procedure:
 PACS_Spec_Gra_IST_Check_4_OBS (v2 dated 20.04.09)

Summary of Constraints

RT Science must be enabled to receive the Diagnostic HK packets

Spacecraft Configuration

Start of Procedure

PACS in NO_PRIME (SAFE) mode

End of Procedure

PACS in NO_PRIME (SAFE) mode

Reference File(s)

Input Command Sequences

Output Command Sequences

HCPX011X
 HCPX011Y

Referenced Displays

ANDs	GRDs	SLDs
ZAZ98999	PG002420	
PA016420		

Configuration Control Information

DATE	FOP ISSUE	VERSION	MODIFICATION DESCRIPTION	AUTHOR	SPR REF
10/10/08		1	Created	R. Biggins	
18/11/08		2	Updates due to initial testing - Time Tag added to TC in step 4	R. Biggins	
11/12/08		3	Updates due to new import files (dated 12.10.2008) - Procedure split into 2 sequences - Formal Parameter list updated	R. Biggins	
12/12/08		4	Changes due to IPF testing - ALL time tags updated (ET removed) - no change bars	R. Biggins	
13/12/08	2	5	Sequence HCPX011Y made plannable	R. Biggins	

PACS_Spec_Gra_IST_Check_4_OBS
 File: H_COP_PAC_X011.xls
 Author: R. Biggins

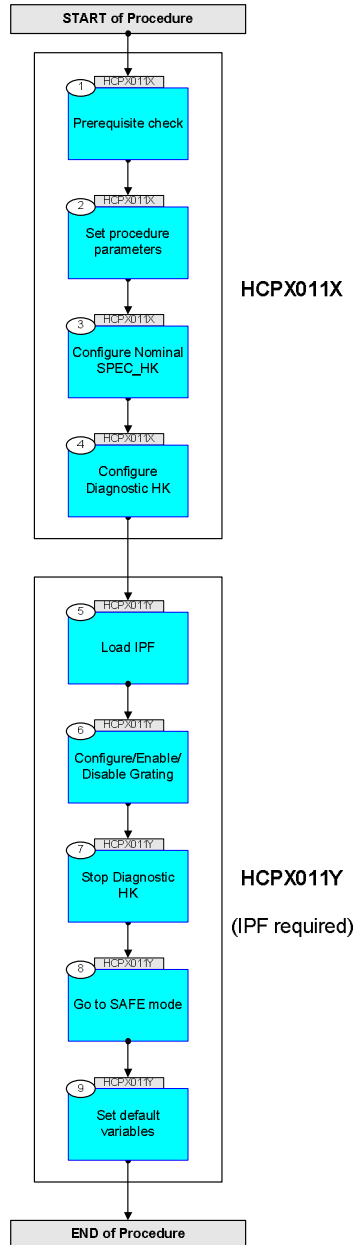


20/04/09	2.3	6	Changes due to new inputs from B. Vandenbussche - TCs in step 6 updated (new FPs) requiring updated IPF definition - Summary updated - TC flags updated	R. Biggins	
28/04/09	2.4	7	Update due to problems in IPF - ET times removed	R. Biggins	

PACS_Spec_Gra_IST_Check_4_OBS
File: H_COP_PAC_X011.xls
Author: R. Biggins



Procedure Flowchart Overview



PACS_Spec_Gra_IST_Check_4_OBS
 File: H_COP_PAC_X011.xls
 Author: R. Biggins



Step No.	Time	Activity/Remarks	TC/TLM	Display/ Branch
Beginning of Procedure				
TC Seq. Name :HCPX011X (Grating Check 4) TimeTag Type: N Sub Schedule ID: <input type="checkbox"/>				
1		Prerequisite check		Next Step: 2
				<input type="checkbox"/>
1.1		HSC/ICC input		
		Verify that the HSC/ICC has supplied a valid OBSID value: OBS_ID = 0xnnnn nnnn		
		Verify: the following IPF file has been generated and can be called from the Manual Stack (where vvvv is the latest version number): HCPX011Y_GRATING4_vvvv.IPF		
1.2		PACS mode		<input type="checkbox"/>
		Verify Telemetry <div style="display: flex; justify-content: space-around;"> DP_TM_RATE PM049380 = NO PRIME </div>		AND=ZAZ98999
2		Set procedure parameters		Next Step: 3
	ET=+ UT=+00.00.00	DMC_SET_OBSID Command Parameter(s) : <div style="display: flex; justify-content: space-around;"> OBSERVATION_ID PP069420 OBS_ID </div> TC Control Flags : <div style="display: flex; justify-content: space-around;"> GBM IL DSE --Y -- --- </div> Subsch. ID : 90 Det. descr. : SET OBSID IN DMC	DMC_SET_OBSID PC078420 OBS_ID	
3		Configure Nominal SPEC_HK		Next Step: 4

PACS_Spec_Gra_IST_Check_4_OBS
 File: H_COP_PAC_X011.xls
 Author: R. Biggins



Step No.	Time	Activity/Remarks	TC/TLM	Display/ Branch
	ET=+ UT=+00.00.01	DPU_SET_HK_LIST DPU_SET_HK_LIST Command Parameter(s) : HK_PACKET_ID PP005380 SPU_ARRAY PP025380 Subsch. ID : 90 Det. descr. : SET THE PREDIFINED LIST OF HK VALUES FOR THE HK PACKET	PC003380 SPEC BOTH Array	
		Verify Telemetry DP_TM_RATE PM049380	= SPEC	AND=ZAZ98999
4		Configure Diagnostic HK		Next Step: 5
	ET=+ UT=+00.00.01	DMC_SET_BBID DMC_SET_BBID Command Parameter(s) : BUILDING_BLOCK_ID PP070420 TC Control Flags : GBM IL DSE --Y -- --- Subsch. ID : 90 Det. descr. : SET BBID IN DMC	PC079420 409B0001 <hex>	
	ET=+ UT=+00.00.01	Execute Telecommand DMC_WRT_DIAG_HK_LIST Command Parameter(s) : DMC_DATA_LENGTH PP065420 DMC_4_BYTES_WORDS_DATA PP067420 DMC_4_BYTES_WORDS_DATA PP067420 DMC_4_BYTES_WORDS_DATA PP067420 DMC_4_BYTES_WORDS_DATA PP067420 DMC_4_BYTES_WORDS_DATA PP067420 DMC_4_BYTES_WORDS_DATA PP067420 DMC_4_BYTES_WORDS_DATA PP067420 DMC_4_BYTES_WORDS_DATA PP067420 DMC_4_BYTES_WORDS_DATA PP067420 DMC_4_BYTES_WORDS_DATA PP067420 DMC_4_BYTES_WORDS_DATA PP067420 DMC_4_BYTES_WORDS_DATA PP067420 DMC_4_BYTES_WORDS_DATA PP067420 DMC_4_BYTES_WORDS_DATA PP067420 DMC_4_BYTES_WORDS_DATA PP067420 DMC_CHECKSUM PP066420 Subsch. ID : 90 Det. descr. : WRITE THE LIST OF DIAGNOSTIC HK INTO DMC MEMORY	PC160420 16 <dec> 21B <hex> 21C <hex> 100 <hex> 101 <hex> 22C <hex> 234 <hex> 230 <hex> 237 <hex> D0 <hex> FA <hex> FB <hex> FC <hex> FD <hex> 1C4 <hex> 203 <hex> FFFF <hex> DE57 <hex>	

PACS_Spec_Gra_IST_Check_4_OBS
 File: H_COP_PAC_X011.xls
 Author: R. Biggins



Step No.	Time	Activity/Remarks	TC/TLM	Display/ Branch
	ET=+ UT=+00.00.01	DMC_START_DIAG_HK DMC_START_DIAG_HK Command Parameter(s) : DIAG_HK_PERIOD PP076420 Subsch. ID : 90 Det. descr. : START THE ACQUISITION OF THE DIAGNOSTIC HK	PC146420 5 <dec>	
		Verify Telemetry DM_BBID PM029420	= 409B0001 <hex>	AND=ZAZ98999
		NOTE: The verification of the generation of the TM(21,3) diagnostic packets cannot be done on the MCS, but can be seen on the NCTRS (VC7)		
TC Seq. Name :HCPX011Y (Grating Check 4)				
TimeTag Type: N Sub Schedule ID: <input type="checkbox"/>				
5		Load IPF		Next Step: 6
		Load the following IPF (TPF) file into the Manual Stack (where vvvv is the latest version number): HCPX011Y_GRATING4_vvvv.IPF		
6		Configure/Enable/Disable Grating		Next Step: 7
		The following TCs should be sent automatically with the defined time separation.		
		The following parameters should be monitored:		
		Verify Telemetry DM_GRAT_CUR_POS PM054420		GRD=PG002420
		Verify: This value should be stable DM_GRAT_OUTPUT PM256420		AND=PA016420

PACS_Spec_Gra_IST_Check_4_OBS
 File: H_COP_PAC_X011.xls
 Author: R. Biggins



Step No.	Time	Activity/Remarks	TC/TLM	Display/ Branch
	ET=+ UT=+00.00.01	DMC_WRT_GRAT_CONF_PAR DMC_WRT_GRAT_CONF_PAR Command Parameter(s) : DMC_4_BYTES_WORDS_DATA PP067420 DMC_4_BYTES_WORDS_DATA PP067420 DMC_4_BYTES_WORDS_DATA PP067420 DMC_4_BYTES_WORDS_DATA PP067420 DMC_4_BYTES_WORDS_DATA PP067420 DMC_4_BYTES_WORDS_DATA PP067420 DMC_4_BYTES_WORDS_DATA PP067420 DMC_4_BYTES_WORDS_DATA PP067420 DMC_4_BYTES_WORDS_DATA PP067420 DMC_4_BYTES_WORDS_DATA PP067420 DMC_CHECKSUM PP066420 Tc Control Flags : GBM IL DSE --Y -- -- Subsch. ID : 90 Det. descr. : WRITE THE PARAMETERS TO CONFIGURE THE GRATING SERVO LOOP	PC162420	
	ET=+ UT=+00.00.00	DMC_WRT_GRAT_CONF_FILT DMC_WRT_GRAT_CONF_FILT Command Parameter(s) : DMC_4_BYTES_WORDS_DATA PP067420 DMC_4_BYTES_WORDS_DATA PP067420 DMC_4_BYTES_WORDS_DATA PP067420 DMC_4_BYTES_WORDS_DATA PP067420 DMC_4_BYTES_WORDS_DATA PP067420 DMC_4_BYTES_WORDS_DATA PP067420 DMC_CHECKSUM PP066420 Subsch. ID : 90 Det. descr. : WRITE THE PARAMETERS OF THE GRATING CONTROLLER FILTER	PC378420	
	ET=+ UT=+00.00.01	DMC_WRT_GRAT_INDUC_AMPL DMC_WRT_GRAT_INDUC_AMPL Command Parameter(s) : DMC_4_BYTES_WORDS_DATA PP067420 DMC_CHECKSUM PP066420 Subsch. ID : 90 Det. descr. : WRITE THE AMPLITUDE OF THE INDUCTOSYN EXCITATION SIGNAL	PC203420	
	ET=+ UT=+00.00.01	DMC_WRT_GRAT_HALLOFFSET DMC_WRT_GRAT_HALLOFFSET Command Parameter(s) : DMC_4_BYTES_WORDS_DATA PP067420 DMC_CHECKSUM PP066420 Subsch. ID : 90 Det. descr. : WRITE THE OFFSET OF THE HALL SENSORS OF THE GRATING	PC368420	

PACS_Spec_Gra_IST_Check_4_OBS
 File: H_COP_PAC_X011.xls
 Author: R. Biggins



Step No.	Time	Activity/Remarks	TC/TLM	Display/ Branch
	ET=+ UT=+00.00.01	DMC_WRT_GRAT_RANGE Command Parameter(s) : DMC_4_BYTES_WORDS_DATA PP067420 DMC_CHECKSUM PP066420 Subsch. ID : 90 Det. descr. : WRITE THE NUMBER OF ENCODER STEPS OF THE HARDSTOPS	DMC_WRT_GRAT_RANGE PC204420 21 22	
	ET=+ UT=+00.03.01	DMC_SWON_GRAT_CONT Subsch. ID : 90 Det. descr. : SWITCH ON GRATING CONTROLLER	DMC_SWON_GRAT_CONT PC108420	
	ET=+ UT=+00.00.01	DMC_ENABLE_GRAT_CONT Subsch. ID : 90 Det. descr. : ENABLE GRATING CONTROLLER	DMC_ENABLE_GRAT_CONT PC110420	
	ET=+ UT=+00.00.01	DMC_HOME_GRAT Command Parameter(s) : HOMING_MODE PP077420 Subsch. ID : 90 Det. descr. : MOVE GRATING TO THE HOME POSITION	DMC_HOME_GRAT PC114420 NEGATIVE	
	ET=+ UT=+00.01.10	DMC_WRT_GRAT_CONF_PAR Command Parameter(s) : DMC_4_BYTES_WORDS_DATA PP067420 DMC_4_BYTES_WORDS_DATA PP067420 DMC_4_BYTES_WORDS_DATA PP067420 DMC_4_BYTES_WORDS_DATA PP067420 DMC_4_BYTES_WORDS_DATA PP067420 DMC_4_BYTES_WORDS_DATA PP067420 DMC_4_BYTES_WORDS_DATA PP067420 DMC_4_BYTES_WORDS_DATA PP067420 DMC_4_BYTES_WORDS_DATA PP067420 DMC_4_BYTES_WORDS_DATA PP067420 DMC_CHECKSUM PP066420 Subsch. ID : 90 Det. descr. : WRITE THE PARAMETERS TO CONFIGURE THE GRATING SERVO LOOP	DMC_WRT_GRAT_CONF_PAR PC162420 23 24 25 26 27 28 29 30 31 32	

PACS_Spec_Gra_IST_Check_4_OBS
 File: H_COP_PAC_X011.xls
 Author: R. Biggins



Step No.	Time	Activity/Remarks	TC/TLM	Display/ Branch
	ET=+ UT=+00.00.01	DMC_MOVE_GRAT_REL_RAW DMC_MOVE_GRAT_REL Command Parameter(s) : SET_POINT_INCREMENT PP078420 Subsch. ID : 90 Det. descr. : MOVE GRATING OF A RELATIVE POSITION	PC113420 117 <dec>	
	ET=+ UT=+00.00.01	DMC_MOVE_GRAT_REL_RAW DMC_MOVE_GRAT_REL Command Parameter(s) : SET_POINT_INCREMENT PP078420 Subsch. ID : 90 Det. descr. : MOVE GRATING OF A RELATIVE POSITION	PC113420 117 <dec>	
	ET=+ UT=+00.00.01	DMC_MOVE_GRAT_REL_RAW DMC_MOVE_GRAT_REL Command Parameter(s) : SET_POINT_INCREMENT PP078420 Subsch. ID : 90 Det. descr. : MOVE GRATING OF A RELATIVE POSITION	PC113420 -2400 <dec>	
	ET=+ UT=+00.00.01	DMC_MOVE_GRAT_REL_RAW DMC_MOVE_GRAT_REL Command Parameter(s) : SET_POINT_INCREMENT PP078420 Subsch. ID : 90 Det. descr. : MOVE GRATING OF A RELATIVE POSITION	PC113420 -2400 <dec>	
	ET=+ UT=+00.00.01	DMC_MOVE_GRAT_REL_RAW DMC_MOVE_GRAT_REL Command Parameter(s) : SET_POINT_INCREMENT PP078420 Subsch. ID : 90 Det. descr. : MOVE GRATING OF A RELATIVE POSITION	PC113420 -2400 <dec>	
	ET=+ UT=+00.00.01	DMC_MOVE_GRAT_REL_RAW DMC_MOVE_GRAT_REL Command Parameter(s) : SET_POINT_INCREMENT PP078420 Subsch. ID : 90 Det. descr. : MOVE GRATING OF A RELATIVE POSITION	PC113420 -2400 <dec>	

PACS_Spec_Gra_IST_Check_4_OBS
 File: H_COP_PAC_X011.xls
 Author: R. Biggins



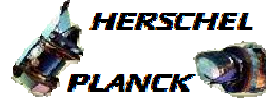
Step No.	Time	Activity/Remarks	TC/TLM	Display/ Branch
	ET=+ UT=+00.00.01	DMC_MOVE_GRAT_REL_RAW DMC_MOVE_GRAT_REL Command Parameter(s) : SET_POINT_INCREMENT PP078420 Subsch. ID : 90 Det. descr. : MOVE GRATING OF A RELATIVE POSITION	PC113420 -2400 <dec>	
	ET=+ UT=+00.00.01	DMC_MOVE_GRAT_REL_RAW DMC_MOVE_GRAT_REL Command Parameter(s) : SET_POINT_INCREMENT PP078420 Subsch. ID : 90 Det. descr. : MOVE GRATING OF A RELATIVE POSITION	PC113420 -2400 <dec>	
	ET=+ UT=+00.00.01	DMC_MOVE_GRAT_REL_RAW DMC_MOVE_GRAT_REL Command Parameter(s) : SET_POINT_INCREMENT PP078420 Subsch. ID : 90 Det. descr. : MOVE GRATING OF A RELATIVE POSITION	PC113420 400000 <dec>	
	ET=+ UT=+00.00.06	DMC_MOVE_GRAT_REL_RAW DMC_MOVE_GRAT_REL Command Parameter(s) : SET_POINT_INCREMENT PP078420 Subsch. ID : 90 Det. descr. : MOVE GRATING OF A RELATIVE POSITION	PC113420 117 <dec>	
	ET=+ UT=+00.00.01	DMC_MOVE_GRAT_REL_RAW DMC_MOVE_GRAT_REL Command Parameter(s) : SET_POINT_INCREMENT PP078420 Subsch. ID : 90 Det. descr. : MOVE GRATING OF A RELATIVE POSITION	PC113420 117 <dec>	
	ET=+ UT=+00.00.01	DMC_MOVE_GRAT_REL_RAW DMC_MOVE_GRAT_REL Command Parameter(s) : SET_POINT_INCREMENT PP078420 Subsch. ID : 90 Det. descr. : MOVE GRATING OF A RELATIVE POSITION	PC113420 117 <dec>	

PACS_Spec_Gra_IST_Check_4_OBS
 File: H_COP_PAC_X011.xls
 Author: R. Biggins



Step No.	Time	Activity/Remarks	TC/TLM	Display/ Branch
	ET=+ UT=+00.00.01	DMC_MOVE_GRAT_REL_RAW DMC_MOVE_GRAT_REL Command Parameter(s) : SET_POINT_INCREMENT PP078420 Subsch. ID : 90 Det. descr. : MOVE GRATING OF A RELATIVE POSITION	PC113420 117 <dec>	
	ET=+ UT=+00.00.01	DMC_MOVE_GRAT_REL_RAW DMC_MOVE_GRAT_REL Command Parameter(s) : SET_POINT_INCREMENT PP078420 Subsch. ID : 90 Det. descr. : MOVE GRATING OF A RELATIVE POSITION	PC113420 117 <dec>	
	ET=+ UT=+00.00.01	DMC_MOVE_GRAT_REL_RAW DMC_MOVE_GRAT_REL Command Parameter(s) : SET_POINT_INCREMENT PP078420 Subsch. ID : 90 Det. descr. : MOVE GRATING OF A RELATIVE POSITION	PC113420 117 <dec>	
	ET=+ UT=+00.00.01	DMC_MOVE_GRAT_REL_RAW DMC_MOVE_GRAT_REL Command Parameter(s) : SET_POINT_INCREMENT PP078420 Subsch. ID : 90 Det. descr. : MOVE GRATING OF A RELATIVE POSITION	PC113420 2400 <dec>	
	ET=+ UT=+00.00.01	DMC_MOVE_GRAT_REL_RAW DMC_MOVE_GRAT_REL Command Parameter(s) : SET_POINT_INCREMENT PP078420 Subsch. ID : 90 Det. descr. : MOVE GRATING OF A RELATIVE POSITION	PC113420 2400 <dec>	
	ET=+ UT=+00.00.01	DMC_MOVE_GRAT_REL_RAW DMC_MOVE_GRAT_REL Command Parameter(s) : SET_POINT_INCREMENT PP078420 Subsch. ID : 90 Det. descr. : MOVE GRATING OF A RELATIVE POSITION	PC113420 2400 <dec>	

PACS_Spec_Gra_IST_Check_4_OBS
 File: H_COP_PAC_X011.xls
 Author: R. Biggins



Step No.	Time	Activity/Remarks	TC/TLM	Display/ Branch
	ET=+ UT=+00.00.01	DMC_MOVE_GRAT_REL_RAW DMC_MOVE_GRAT_REL Command Parameter(s) : SET_POINT_INCREMENT PP078420 Subsch. ID : 90 Det. descr. : MOVE GRATING OF A RELATIVE POSITION	PC113420 2400 <dec>	
	ET=+ UT=+00.00.01	DMC_MOVE_GRAT_REL_RAW DMC_MOVE_GRAT_REL Command Parameter(s) : SET_POINT_INCREMENT PP078420 Subsch. ID : 90 Det. descr. : MOVE GRATING OF A RELATIVE POSITION	PC113420 2400 <dec>	
	ET=+ UT=+00.00.01	DMC_MOVE_GRAT_REL_RAW DMC_MOVE_GRAT_REL Command Parameter(s) : SET_POINT_INCREMENT PP078420 Subsch. ID : 90 Det. descr. : MOVE GRATING OF A RELATIVE POSITION	PC113420 2400 <dec>	
	ET=+ UT=+00.00.01	DMC_MOVE_GRAT_REL_RAW DMC_MOVE_GRAT_REL Command Parameter(s) : SET_POINT_INCREMENT PP078420 Subsch. ID : 90 Det. descr. : MOVE GRATING OF A RELATIVE POSITION	PC113420 -200000 <dec>	
	ET=+ UT=+00.00.04	DMC_MOVE_GRAT_REL_RAW DMC_MOVE_GRAT_REL Command Parameter(s) : SET_POINT_INCREMENT PP078420 Subsch. ID : 90 Det. descr. : MOVE GRATING OF A RELATIVE POSITION	PC113420 117 <dec>	
	ET=+ UT=+00.00.01	DMC_MOVE_GRAT_REL_RAW DMC_MOVE_GRAT_REL Command Parameter(s) : SET_POINT_INCREMENT PP078420 Subsch. ID : 90 Det. descr. : MOVE GRATING OF A RELATIVE POSITION	PC113420 117 <dec>	

PACS_Spec_Gra_IST_Check_4_OBS
 File: H_COP_PAC_X011.xls
 Author: R. Biggins



Step No.	Time	Activity/Remarks	TC/TLM	Display/ Branch
	ET=+ UT=+00.00.01	DMC_MOVE_GRAT_REL_RAW DMC_MOVE_GRAT_REL Command Parameter(s) : SET_POINT_INCREMENT PP078420 Subsch. ID : 90 Det. descr. : MOVE GRATING OF A RELATIVE POSITION	PC113420 117 <dec>	
	ET=+ UT=+00.00.01	DMC_MOVE_GRAT_REL_RAW DMC_MOVE_GRAT_REL Command Parameter(s) : SET_POINT_INCREMENT PP078420 Subsch. ID : 90 Det. descr. : MOVE GRATING OF A RELATIVE POSITION	PC113420 117 <dec>	
	ET=+ UT=+00.00.01	DMC_MOVE_GRAT_REL_RAW DMC_MOVE_GRAT_REL Command Parameter(s) : SET_POINT_INCREMENT PP078420 Subsch. ID : 90 Det. descr. : MOVE GRATING OF A RELATIVE POSITION	PC113420 117 <dec>	
	ET=+ UT=+00.00.01	DMC_MOVE_GRAT_REL_RAW DMC_MOVE_GRAT_REL Command Parameter(s) : SET_POINT_INCREMENT PP078420 Subsch. ID : 90 Det. descr. : MOVE GRATING OF A RELATIVE POSITION	PC113420 117 <dec>	
	ET=+ UT=+00.00.01	DMC_MOVE_GRAT_REL_RAW DMC_MOVE_GRAT_REL Command Parameter(s) : SET_POINT_INCREMENT PP078420 Subsch. ID : 90 Det. descr. : MOVE GRATING OF A RELATIVE POSITION	PC113420 -117 <dec>	
	ET=+ UT=+00.00.01	DMC_MOVE_GRAT_REL_RAW DMC_MOVE_GRAT_REL Command Parameter(s) : SET_POINT_INCREMENT PP078420 Subsch. ID : 90 Det. descr. : MOVE GRATING OF A RELATIVE POSITION	PC113420 -117 <dec>	

PACS_Spec_Gra_IST_Check_4_OBS
 File: H_COP_PAC_X011.xls
 Author: R. Biggins



Step No.	Time	Activity/Remarks	TC/TLM	Display/ Branch
	ET=+ UT=+00.00.01	DMC_MOVE_GRAT_REL_RAW DMC_MOVE_GRAT_REL Command Parameter(s) : SET_POINT_INCREMENT PP078420 Subsch. ID : 90 Det. descr. : MOVE GRATING OF A RELATIVE POSITION	PC113420 -117 <dec>	
	ET=+ UT=+00.00.01	DMC_MOVE_GRAT_REL_RAW DMC_MOVE_GRAT_REL Command Parameter(s) : SET_POINT_INCREMENT PP078420 Subsch. ID : 90 Det. descr. : MOVE GRATING OF A RELATIVE POSITION	PC113420 -117 <dec>	
	ET=+ UT=+00.00.01	DMC_MOVE_GRAT_REL_RAW DMC_MOVE_GRAT_REL Command Parameter(s) : SET_POINT_INCREMENT PP078420 Subsch. ID : 90 Det. descr. : MOVE GRATING OF A RELATIVE POSITION	PC113420 -117 <dec>	
	ET=+ UT=+00.00.01	DMC_MOVE_GRAT_REL_RAW DMC_MOVE_GRAT_REL Command Parameter(s) : SET_POINT_INCREMENT PP078420 Subsch. ID : 90 Det. descr. : MOVE GRATING OF A RELATIVE POSITION	PC113420 -117 <dec>	
	ET=+ UT=+00.00.16	DMC_MOVE_GRAT_REL DMC_MOVE_GRAT_REL Command Parameter(s) : SET_POINT_INCREMENT PP078420 Subsch. ID : 90 Det. descr. : MOVE GRATING OF A RELATIVE POSITION	PC113420 420000 <dec>	
	ET=+ UT=+00.00.20	DMC_MOVE_GRAT_REL DMC_MOVE_GRAT_REL Command Parameter(s) : SET_POINT_INCREMENT PP078420 Subsch. ID : 90 Det. descr. : MOVE GRATING OF A RELATIVE POSITION	PC113420 -420000 <dec>	
	ET=+ UT=+00.00.20	DMC_DISABLE_GRAT_CONT DMC_DISABLE_GRAT_CONT Subsch. ID : 90 Det. descr. : DISABLE GRATING CONTROLLER	PC111420	

PACS_Spec_Gra_IST_Check_4_OBS
 File: H_COP_PAC_X011.xls
 Author: R. Biggins



Step No.	Time	Activity/Remarks	TC/TLM	Display/ Branch
7		Stop Diagnostic HK		Next Step: 8
	ET=+ UT=+00.00.01	DMC_STOP_DIAG_HK TC Control Flags : Subsch. ID : 90 Det. descr. : STOP THE ACQUISITION OF THE DIAGNOSTIC HK	DMC_STOP_DIAG_HK GBM IL DSE --Y -- --	PC147420
		NOTE: The verification of the cessation of generation of the TM(21,3) diagnostic packets cannot be done on the MCS, but can be seen on the NCTRS (VC7)		
8		Go to SAFE mode		Next Step: 9
	ET=+ UT=+00.00.01	DMC_SET_BBID Command Parameter(s) : BUILDING_BLOCK_ID TC Control Flags : Subsch. ID : 90 Det. descr. : SET BBID IN DMC	DMC_SET_BBID PP070420 GBM IL DSE --Y -- --	PC079420 40180001 <hex>
	ET=+ UT=+00.00.01	DPU_START_OBCP Command Parameter(s) : PROCEDURE_ID NUMBER_OF_TIMES Subsch. ID : 90 Det. descr. : START AN OBCP WITH THE COMMANDED PARAMETERS	DPU_START_OBCP PP012380 PP010380	PC012380 GO_SAFE_MODE 0 <dec>
		Verify Telemetry DM_BBID	PM029420	= 40180001 <hex> AND=ZAZ98999
		Verify Telemetry DP_TM_RATE	PM049380	= NO PRIME AND=ZAZ98999
9		Set default variables		Next Step: END

PACS_Spec_Gra_IST_Check_4_OBS
 File: H_COP_PAC_X011.xls
 Author: R. Biggins



Step No.	Time	Activity/Remarks	TC/TLM	Display/ Branch
	ET=+ UT=+00.00.00	DMC_SET_OBSID Command Parameter(s) : OBSERVATION_ID PP069420 TC Control Flags : GBM IL DSE --Y -- --- Subsch. ID : 90 Det. descr. : SET OBSID IN DMC	PC078420 00000000 <hex>	
	ET=+ UT=+00.00.01	DMC_SET_BBID Command Parameter(s) : BUILDING_BLOCK_ID PP070420 Subsch. ID : 90 Det. descr. : SET BBID IN DMC	PC079420 40000000 <hex>	
		Verify Telemetry DM_OBSID PM028420	= 00000000 <hex>	AND=ZAZ98999
		Verify Telemetry DM_BBID PM029420	= 40000000 <hex>	AND=ZAZ98999
End of Procedure				