

Pacs\_DMC\_SET\_OBSID  
 File: H\_COP\_PAC\_X008.xls  
 Author: R. Biggins



## Procedure Summary

### Objectives

The objective of this procedure is to set the OBSID

Based on procedure:  
 Pacs\_DMC\_SET\_OBSID (v1)

### Summary of Constraints

### Spacecraft Configuration

#### Start of Procedure

PACS in ANY mode

#### End of Procedure

PACS in ANY mode

### Reference File(s)

#### Input Command Sequences

#### Output Command Sequences

HCPX008

### Referenced Displays

**ANDs**      **GRDs**      **SLDs**  
 ZAZ98999

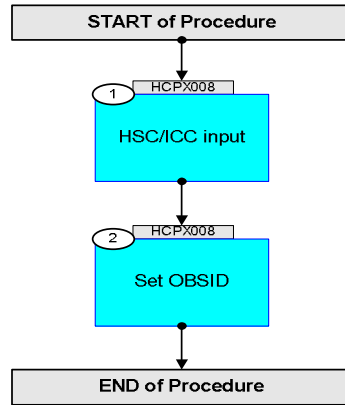
### Configuration Control Information

DATE	FOP ISSUE	VERSION	MODIFICATION DESCRIPTION	AUTHOR	SPR REF
26/08/08	2	1	Created	R. Biggins	
20/04/09	2.3	1.01	Validation : Final updates before flight - Summary updated - TC flag updated	R. Biggins	

Pacs\_DMC\_SET\_OBSID  
File: H\_COP\_PAC\_X008.xls  
Author: R. Biggins



## Procedure Flowchart Overview



Pacs\_DMC\_SET\_OBSID  
 File: H\_COP\_PAC\_X008.xls  
 Author: R. Biggins



Step No.	Time	Activity/Remarks	TC/TLM	Display/ Branch
<b>Beginning of Procedure</b>				
TC Seq. Name :HCPX008 (Set OBSID)  TimeTag Type: B Sub Schedule ID:  □				
1		HSC/ICC input		Next Step: 2
		Verify that the HSC/ICC has supplied a valid value for the OBSID:  OBS_ID = no default value specified		
2		Set OBSID		Next Step: END
	ET=+00.00.00 UT=+00.00.00	DMC_SET_OBSID  Command Parameter(s) : OBSERVATION_ID                   PP069420  TC Control Flags :  GBM IL DSE --Y -- ---  Subsch. ID : 90 Det. descr. : SET OBSID IN DMC	PC078420  OBS_ID	
		Verify Telemetry  DM_OBSID                   PM028420	= OBS_ID	AND=ZAZ98999
<b>End of Procedure</b>				