

PACS Initial Switch ON
 File: H_COP_PAC_SWON.xls
 Author: R. Biggins



Procedure Summary

Objectives

This is a high-level procedure covering the Switch ON activity defined in the Commissioning Plan.

Summary of Constraints

RT Science (VC1) is NOT required for this activity

Spacecraft Configuration

Start of Procedure

PACS is OFF

End of Procedure

PACS is ON and in SAFE Mode

Reference File(s)

Input Command Sequences

Output Command Sequences

Referenced Displays

ANDs GRDs SLDs

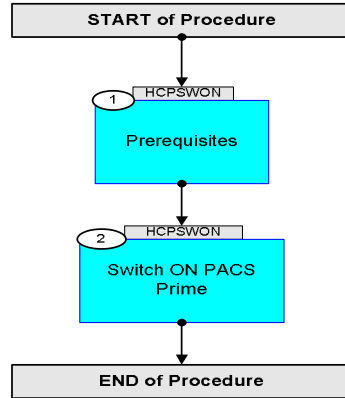
Configuration Control Information

DATE	FOP ISSUE	VERSION	MODIFICATION DESCRIPTION	AUTHOR	SPR REF
09/04/09	2.3	1	Created	R. Biggins	

PACS Initial Switch ON
File: H_COP_PAC_SWON.xls
Author: R. Biggins



Procedure Flowchart Overview



PACS Initial Switch ON
 File: H_COP_PAC_SWON.xls
 Author: R. Biggins



Step No.	Time	Activity/Remarks	TC/TLM	Display/ Branch
Beginning of Procedure				
TC Seq. Name : HCPSWON (Switch ON) TimeTag Type: Sub Schedule ID: <input type="checkbox"/>				
1		Prerequisites		Next Step: 2
1.1		Verify HSC/ICC inputs		<input type="checkbox"/>
		Verify: The following inputs have been supplied by the HSC/ICC		
		FP: DPU_PRTN [= 1] Information: DPU Software Version/Subversion number SPU Software Version/Subversion number DMC Software Version/Subversion number		
2		Switch ON PACS Prime		Next Step: END
		Execute the following procedures in the defined order. Duration ~40 minutes		
		PROCEDURE: H_FCP_PAC_NSON [HFPNSON] FP: DPU_PRTN [= 1] Information: DPU Software Version/Subversion number SPU Software Version/Subversion number DMC Software Version/Subversion number		
End of Procedure				