

PACS_Phot_Switchon_OBS
 File: H_COP_PAC_D302.xls
 Author: R. Biggins



Procedure Summary

Objectives

The objective of this procedure is to power on the bolometer analog electronics clocks and bolometer A to D converter.

Based on procedure:
 PACS_Phot_Switchon_OBS (v1)

Summary of Constraints

This procedure should be executed as part of the Short Functional Test (HeII conditions)

Spacecraft Configuration

Start of Procedure

PACS in NO_PRIME (SAFE) mode
 - PACS is generating Photometry HK

End of Procedure

PACS in NO_PRIME (SAFE) mode
 - PACS is generating Photometry HK

Reference File(s)

Input Command Sequences

Output Command Sequences

HCPD302

Referenced Displays

ANDs GRDs SLDs
 ZAZAR999

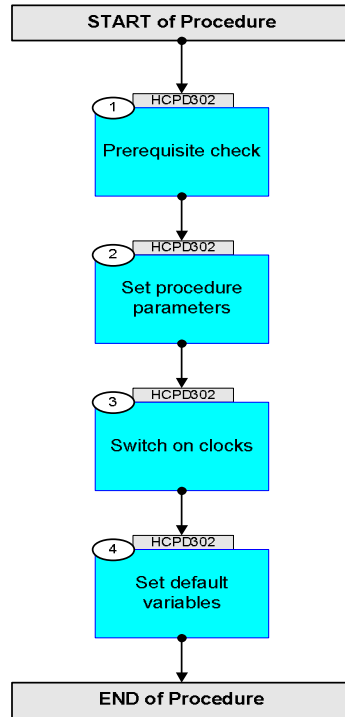
Configuration Control Information

DATE	FOP ISSUE	VERSION	MODIFICATION DESCRIPTION	AUTHOR	SPR REF
15/08/08		1	Created	R. Biggins	
14/11/08		2	Updates due to initial testing - New step (1) added for prerequisite check - Initial OBSID value changed to FP	R. Biggins	
14/11/08	2	2.01	Validation : Updates due to initial testing - AND updated for all TM parameters	R. Biggins	
15/04/09	2.3	2.02	Validation : Final updates before flight - Summary updated - TC flags updated	R. Biggins	

PACS_Photo_Switchon_OBS
File: H_COP_PAC_D302.xls
Author: R. Biggins



Procedure Flowchart Overview



PACS_Phot_Switchon_OBS
 File: H_COP_PAC_D302.xls
 Author: R. Biggins



Step No.	Time	Activity/Remarks	TC/TLM	Display/ Branch
Beginning of Procedure				
<p><i>TC Seq. Name :HCPD302 (Switch ON clocks)</i></p> <p><i>TimeTag Type: B</i> <i>Sub Schedule ID:</i></p> <p style="text-align: center;">□</p>				
1		<i>Prerequisite check</i>		Next Step: 2
1.1		<i>HSC/ICC input</i>		□
		<p>Verify that the HSC/ICC has supplied a valid OBSID value:</p> <p>OBS_ID = 0xnnnn nnnn</p>		
2		<i>Set procedure parameters</i>		Next Step: 3
	ET=+00.00.00 UT=+00.00.00	<p>DMC_SET_OBSID</p> <p style="text-align: right;">DMC_SET_OBSID</p> <p><i>Command Parameter(s) :</i></p> <p style="text-align: right;">OBSERVATION_ID PP069420</p> <p><i>TC Control Flags :</i></p> <p style="text-align: right;">GBM IL DSE --Y -- ---</p> <p><i>Subsch. ID : 90</i> <i>Det. descr. : SET OBSID IN DMC</i></p>	<p>PC078420</p> <p>OBS_ID</p>	
		<p>Verify Telemetry</p> <p style="text-align: right;">DM_OBSID PM028420</p>	OBS_ID	AND=ZAZAR999
3		<i>Switch on clocks</i>		Next Step: 4
		<p><i>The following TCs power on the bolometer analog electronics clocks and A to D converter in the following order:</i></p> <ul style="list-style-type: none"> - VSEL Bolometer clock - VGSEL Bolometer clock - VGDEC Bolometer clock - CKRL Bolometer clock - VDECX Bolometer clock - VSMS Bolometer clock - CONV BOLC A to D converters start 		

PACS_Photo_Switchon_OBS
 File: H_COP_PAC_D302.xls
 Author: R. Biggins



Step No.	Time	Activity/Remarks	TC/TLM	Display/ Branch
	ET=+00.00.01 UT=+00.00.01	DMC_SEND_COMMAND_BOLC DMC_SEND_COMMAND_BOLC Command Parameter(s) : BOLOMETER_COMMAND PP071420 TC Control Flags : GBM IL DSE --Y -- --- Subsch. ID : 90 Det. descr. : SEND COMMAND TO BOL CONTROLLER	PC103420 A000001 <hex>	
		Verify Telemetry BOL_PWR_ANA_P_1 PM242410	= 9.0 V	AND=ZAZAR999
	ET=+00.00.01 UT=+00.00.01	DMC_SEND_COMMAND_BOLC DMC_SEND_COMMAND_BOLC Command Parameter(s) : BOLOMETER_COMMAND PP071420 TC Control Flags : GBM IL DSE --Y -- --- Subsch. ID : 90 Det. descr. : SEND COMMAND TO BOL CONTROLLER	PC103420 A000003 <hex>	
		Verify Telemetry BOL_PWR_ANA_P_2 PM272410	= 9.0 V	AND=ZAZAR999
	ET=+00.00.01 UT=+00.00.01	DMC_SEND_COMMAND_BOLC DMC_SEND_COMMAND_BOLC Command Parameter(s) : BOLOMETER_COMMAND PP071420 TC Control Flags : GBM IL DSE --Y -- --- Subsch. ID : 90 Det. descr. : SEND COMMAND TO BOL CONTROLLER	PC103420 A000007 <hex>	
		Verify Telemetry BOL_PWR_ANA_P_3 PM302410	= 9.0 V	AND=ZAZAR999
	ET=+00.00.01 UT=+00.00.01	DMC_SEND_COMMAND_BOLC DMC_SEND_COMMAND_BOLC Command Parameter(s) : BOLOMETER_COMMAND PP071420 TC Control Flags : GBM IL DSE --Y -- --- Subsch. ID : 90 Det. descr. : SEND COMMAND TO BOL CONTROLLER	PC103420 A00000F <hex>	
		Verify Telemetry BOL_PWR_ANA_P_4 PM332410	= 9.0 V	AND=ZAZAR999

PACS_Phot_Switchon_OBS
 File: H_COP_PAC_D302.xls
 Author: R. Biggins



Step No.	Time	Activity/Remarks	TC/TLM	Display/ Branch
	ET=+00.00.01 UT=+00.00.01	DMC_SEND_COMMAND_BOLC DMC_SEND_COMMAND_BOLC Command Parameter(s) : BOLOMETER_COMMAND PP071420 TC Control Flags : GBM IL DSE --Y -- --- Subsch. ID : 90 Det. descr. : SEND COMMAND TO BOL CONTROLLER	PC103420 A00001F <hex>	
		Verify Telemetry BOL_PWR_ANA_P_5 PM362410	= 9.0 V	AND=ZAZAR999
	ET=+00.00.01 UT=+00.00.01	DMC_SEND_COMMAND_BOLC DMC_SEND_COMMAND_BOLC Command Parameter(s) : BOLOMETER_COMMAND PP071420 TC Control Flags : GBM IL DSE --- -- --- Subsch. ID : 90 Det. descr. : SEND COMMAND TO BOL CONTROLLER	PC103420 A00003F <hex>	
		Verify Telemetry BOL_PWR_ANA_P_6 PM392410	= 9.0 V	AND=ZAZAR999
4		Set default variables		Next Step: END
	ET=+00.00.01 UT=+00.00.01	DMC_SET_OBSID DMC_SET_OBSID Command Parameter(s) : OBSERVATION_ID PP069420 TC Control Flags : GBM IL DSE --Y -- --- Subsch. ID : 90 Det. descr. : SET OBSID IN DMC	PC078420 00000000 <hex>	
	ET=+00.00.00 UT=+00.00.00	DMC_SET_BBID DMC_SET_BBID Command Parameter(s) : BUILDING_BLOCK_ID PP070420 Subsch. ID : 90 Det. descr. : SET BBID IN DMC	PC079420 40000000 <hex>	
		Verify Telemetry DM_OBSID PM028420	= 00000000 <hex>	AND=ZAZAR999
		Verify Telemetry DM_BBID PM029420	= 40000000 <hex>	AND=ZAZAR999

PACS_Phot_Switchon_OBS
File: H_COP_PAC_D302.xls
Author: R. Biggins



Step No.	Time	Activity/Remarks	TC/TLM	Display/ Branch
End of Procedure				