

PACS\_Spec\_Flash\_SWOF\_OBS  
 File: H\_COP\_PAC\_D103.xls  
 Author: R. Biggins



## Procedure Summary

### Objectives

The objective of this procedure is to switch OFF the blue and red detector flashers.

Based on procedure:  
 PACS\_Spec\_Flash\_SWOF\_OBS (v1)

### Summary of Constraints

This procedure should be executed as part of the Short Functional Test (HeII conditions)  
 This procedure may also be executed on PACS request

RT Science must be enabled to receive the Diagnostic HK packets

### Spacecraft Configuration

#### Start of Procedure

- PACS in NO\_PRIME (SAFE) mode
- PACS is generating Spectroscopy HK
- PACS is generating Diagnostic HK
- The flashers are switched ON

#### End of Procedure

- PACS in NO\_PRIME (SAFE) mode
- PACS is generating Spectroscopy HK
- PACS is generating Diagnostic HK
- The flashers are switched OFF

### Reference File(s)

#### Input Command Sequences

#### Output Command Sequences

HCPD103

### Referenced Displays

**ANDs**      **GRDs**      **SLDs**  
 ZAZ98999  
 PA022420

### Configuration Control Information

DATE	FOP ISSUE	VERSION	MODIFICATION DESCRIPTION	AUTHOR	SPR REF
14/08/08		1	Created	R. Biggins	
14/11/08	2	2	Updates due to initial testing - New step (1) added for prerequisite check - Initial OBSID value changed to FP	R. Biggins	

PACS\_Spec\_Flash\_SWOF\_OBS  
File: H\_COP\_PAC\_D103.xls  
Author: R. Biggins

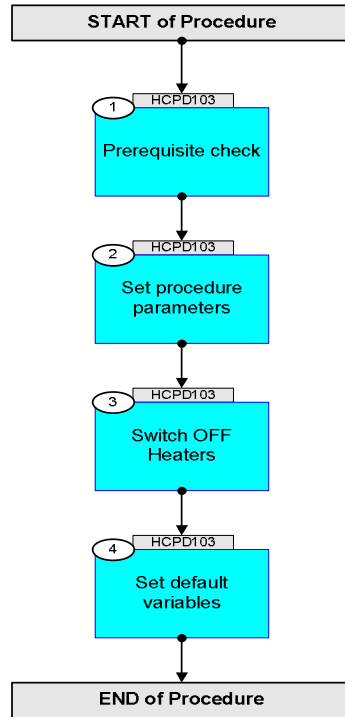


15/04/09	2.3	2.01	Validation : Final updates before flight <input type="checkbox"/> - Summary updated <input type="checkbox"/> - TC flags updated	R. Biggins	
----------	-----	------	---	------------	--

PACS\_Spec\_Flash\_SWOF\_OBS  
File: H\_COP\_PAC\_D103.xls  
Author: R. Biggins



## Procedure Flowchart Overview





PACS\_Spec\_Flash\_SWOF\_OBS  
 File: H\_COP\_PAC\_D103.xls  
 Author: R. Biggins



Step No.	Time	Activity/Remarks	TC/TLM	Display/ Branch
	ET=+00.00.01 UT=+00.00.01	Switch OFF blue detector flashers DMC_SWOF_BD_FLASHER  TC Control Flags :  Subsch. ID : 90 Det. descr. : SWITCH OFF BLUE DEC FLASHER  GBM IL DSE --Y -- --	PC133420	
		Verify Telemetry DM_DECB_CR_ST_3 PM095420	bit 10 = 0	AND=PA022420
		Verify Telemetry DM_DECB_CR_ST_4 PM129420	bit 10 = 0	AND=PA022420
	ET=+00.00.00 UT=+00.00.00	Switch OFF red detector flashers DMC_SWOF_RD_FLASHER  TC Control Flags :  Subsch. ID : 90 Det. descr. : SWITCH OFF THE RED DEC FLASHER  GBM IL DSE --Y -- --	PC376420	
		Verify Telemetry DM_DECR_CR_ST_1 PM163420	bit 10 = 0	AND=PA022420
		Verify Telemetry DM_DECR_CR_ST_2 PM197420	bit 10 = 0	AND=PA022420
4		Set default variables		Next Step: END
	ET=+00.00.01 UT=+00.00.01	DMC_SET_OBSID DMC_SET_OBSID  Command Parameter(s) : OBSERVATION_ID PP069420  TC Control Flags :  Subsch. ID : 90 Det. descr. : SET OBSID IN DMC  GBM IL DSE --Y -- --	PC078420  00000000 <hex>	
	ET=+00.00.00 UT=+00.00.00	DMC_SET_BBID DMC_SET_BBID  Command Parameter(s) : BUILDING_BLOCK_ID PP070420  Subsch. ID : 90 Det. descr. : SET BBID IN DMC	PC079420  40000000 <hex>	
		Verify Telemetry DM_OBSID PM028420	= 00000000 <hex>	AND=ZAZ98999
		Verify Telemetry DM_BBID PM029420	= 40000000 <hex>	AND=ZAZ98999

PACS\_Spec\_Flash\_SWOF\_OBS  
File: H\_COP\_PAC\_D103.xls  
Author: R. Biggins



Step No.	Time	Activity/Remarks	TC/TLM	Display/ Branch
<b>End of Procedure</b>				