

PACS_Spec_Heat_SWOF_OBS
 File: H_COP_PAC_D003.xls
 Author: R. Biggins



Procedure Summary

Objectives

The objective of this procedure is to switch OFF the blue and red detector heaters.

Based on procedure:
 PACS_Spec_Heat_SWOF_OBS (v1)

Summary of Constraints

This procedure should be executed as part of the Short Functional Test (HeII conditions)
 This procedure may also be executed on PACS request

RT Science must be enabled to receive the Diagnostic HK packets

Spacecraft Configuration

Start of Procedure

- PACS in NO_PRIME (SAFE) mode
- PACS is generating Spectroscopy HK
- PACS is generating Diagnostic HK
- The heaters are switched ON

End of Procedure

- PACS in NO_PRIME (SAFE) mode
- PACS is generating Spectroscopy HK
- PACS is generating Diagnostic HK
- The heaters are switched OFF

Reference File(s)

Input Command Sequences

Output Command Sequences

HCPD003

Referenced Displays

ANDs **GRDs** **SLDs**
 ZAZ98999
 PA022420

Configuration Control Information

DATE	FOP ISSUE	VERSION	MODIFICATION DESCRIPTION	AUTHOR	SPR REF
14/08/08		1	Created	R. Biggins	
14/11/08	2	2	Updates due to initial testing - New step (1) added for prerequisite check - Initial OBSID value changed to FP	R. Biggins	

PACS_Spec_Heat_SWOF_OBS
File: H_COP_PAC_D003.xls
Author: R. Biggins

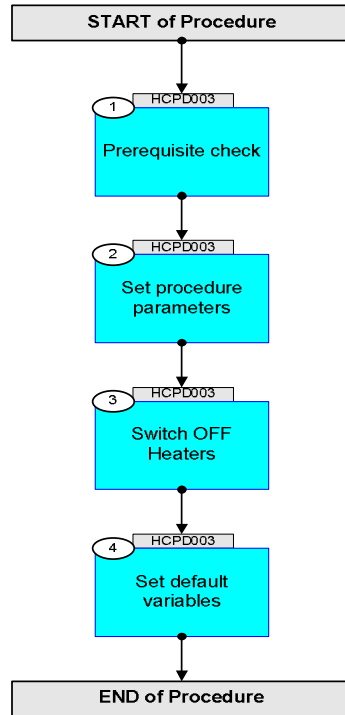


15/04/09	2.3	2.01	Validation : Final updates before flight <input type="checkbox"/> - Summary updated <input type="checkbox"/> - TC flags updated	R. Biggins	
----------	-----	------	---	------------	--

PACS_Spec_Heat_SWOF_OBS
File: H_COP_PAC_D003.xls
Author: R. Biggins



Procedure Flowchart Overview



PACS_Spec_Heat_SWOF_OBS
 File: H_COP_PAC_D003.xls
 Author: R. Biggins



Step No.	Time	Activity/Remarks	TC/TLM	Display/ Branch
	ET=+00.00.01 UT=+00.00.01	Switch OFF blue detector heaters DMC_SWOF_BD_HEATER TC Control Flags : Subsch. ID : 90 Det. descr. : SWITCH OFF BLUE DEC HEATER GBM IL DSE --Y -- --	PC131420	
		Verify Telemetry DM_DECB_CR_ST_3 PM095420	bit 11 = 0	AND=PA022420
		Verify Telemetry DM_DECB_CR_ST_4 PM129420	bit 11 = 0	AND=PA022420
	ET=+00.00.00 UT=+00.00.00	Switch OFF red detector heaters DMC_SWOF_RD_HEATER TC Control Flags : Subsch. ID : 90 Det. descr. : SWITCH OFF THE RED DEC HEATER GBM IL DSE --Y -- --	PC374420	
		Verify Telemetry DM_DECR_CR_ST_1 PM163420	bit 11 = 0	AND=PA022420
		Verify Telemetry DM_DECR_CR_ST_2 PM197420	bit 11 = 0	AND=PA022420
4		Set default variables		Next Step: END
	ET=+00.00.01 UT=+00.00.01	DMC_SET_OBSID DMC_SET_OBSID Command Parameter(s) : OBSERVATION_ID PP069420 TC Control Flags : Subsch. ID : 90 Det. descr. : SET OBSID IN DMC GBM IL DSE --Y -- --	PC078420 00000000 <hex>	
	ET=+00.00.00 UT=+00.00.00	DMC_SET_BBID DMC_SET_BBID Command Parameter(s) : BUILDING_BLOCK_ID PP070420 Subsch. ID : 90 Det. descr. : SET BBID IN DMC	PC079420 40000000 <hex>	
		Verify Telemetry DM_OBSID PM028420	= 00000000 <hex>	AND=ZAZ98999
		Verify Telemetry DM_BBID PM029420	= 40000000 <hex>	AND=ZAZ98999

PACS_Spec_Heat_SWOF_OBS
File: H_COP_PAC_D003.xls
Author: R. Biggins



Step No.	Time	Activity/Remarks	TC/TLM	Display/ Branch
End of Procedure				