

PACS Chopper Dynamic Behaviour Verification
 File: H_COP_PAC_CHP4.xls
 Author: R. Biggins



Procedure Summary

Objectives

This is a high-level procedure covering the CHP4 activity defined in the Commissioning Plan.

Summary of Constraints

RT Science (VC1) is required for this activity

Spacecraft Configuration

Start of Procedure

RT Science (VC1) is disabled

End of Procedure

RT Science (VC1) is disabled

Reference File(s)

Input Command Sequences

Output Command Sequences

Referenced Displays

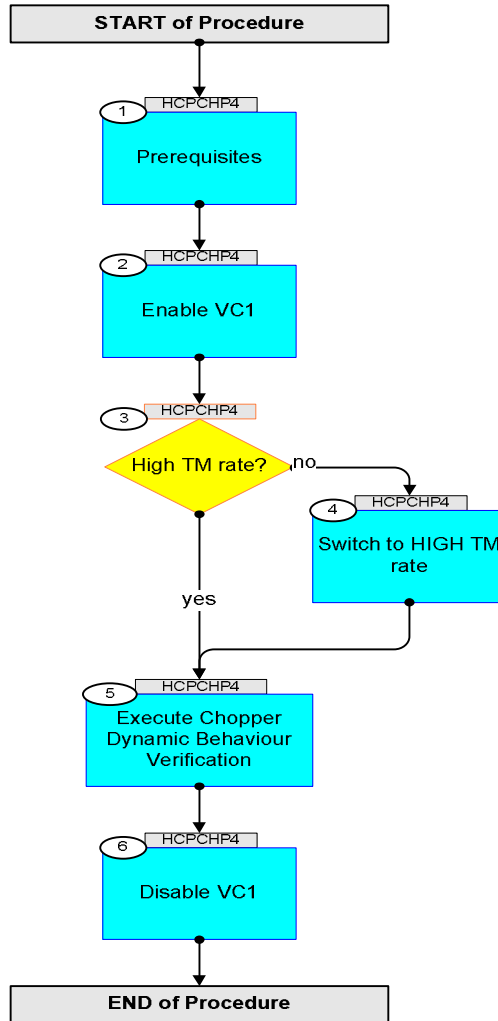
ANDs **GRDs** **SLDs**
 ZAZ9T999

Configuration Control Information

DATE	FOP ISSUE	VERSION	MODIFICATION DESCRIPTION	AUTHOR	SPR REF
09/04/09		1	Created	R. Biggins	
09/04/09	2.3	1.01	Validation : Description updated	R. Biggins	



Procedure Flowchart Overview



PACS Chopper Dynamic Behaviour Verification
 File: H_COP_PAC_CHP4.xls
 Author: R. Biggins



Step No.	Time	Activity/Remarks	TC/TLM	Display/ Branch
Beginning of Procedure				
<p><i>TC Seq. Name :HCPCHP4 (Chopper Dynamic)</i></p> <p><i>TimeTag Type:</i> <i>Sub Schedule ID:</i></p> <p style="text-align: center;"><input type="checkbox"/></p>				
1		<i>Prerequisites</i>		Next Step: 2
2		<i>Enable VC1</i>		Next Step: 3
		Co-ordinate with the CDMS SOE to execute the following procedure		
		PROCEDURE: H_FCP_DHS_1013 [<i>enable VC1</i>]		
3		<i>High TM rate?</i>		Next Step: no 4 yes 5
		Verify Telemetry TME_BITRATE DEMRF160 = 1.5 Mbps		AND=ZAZ9T999
4		<i>Switch to HIGH TM rate</i>		Next Step: 5
		Co-ordinate with the TTC SOE to execute the following procedure		
		PROCEDURE: H_FCP_TTC_TUHR		
5		<i>Execute Chopper Dynamic Behaviour Verification</i>		Next Step: 6
		The following is a list of procedures that is expected to be executed in the defined order. It is not excluded that the order may change or that certain parts will be repeated.		
5.1		<i>Section 2</i>		<input type="checkbox"/>
		PROCEDURE: H_COP_PAC_X008 [HCPX008] FP: OBS_ID		
		PROCEDURE: H_COP_PAC_X010 [HCPX010]		

PACS Chopper Dynamic Behaviour Verification
 File: H_COP_PAC_CHP4.xls
 Author: R. Biggins



Step No.	Time	Activity/Remarks	TC/TLM	Display/ Branch
		PROCEDURE: H_COP_PAC_X009 [HCPX009] IPF: HCPX009_CONFCHOP_vvvv.IPF		
		PROCEDURE: H_COP_PAC_C201 [HCPC201]		
		PROCEDURE: H_COP_PAC_X009 [HCPX009] IPF: HCPX009_CONFCHOP_vvvv.IPF		
		PROCEDURE: H_COP_PAC_C202 [HCPC202]		
		PROCEDURE: H_COP_PAC_X009 [HCPX009] IPF: HCPX009_CONFCHOP_vvvv.IPF		
		PROCEDURE: H_COP_PAC_C203 [HCPC203]		
		PROCEDURE: H_COP_PAC_X009 [HCPX009] IPF: HCPX009_CONFCHOP_vvvv.IPF		
		PROCEDURE: H_COP_PAC_C204 [HCPC204]		
		PROCEDURE: H_COP_PAC_X008 [HCPX008] FP: OBS_ID [= 0x0000 0000]		
6		<i>Disable VC1</i>		Next Step: END
		Co-ordinate with the CDMS SOE to execute the following procedure		
		PROCEDURE: H_FCP_DHS_1013 [<i>disable VC1</i>]		
End of Procedure				