

HifiManCmd_LO_Warmup_3b
 File: H_COP_HIF_WU3B.xls
 Author: R. Biggins



Procedure Summary

Objectives

The objective of this procedure is to warm up the LO band 3B

Based on procedure:
 HifiManCmd_LO_Warmup_3b (v2)

Summary of Constraints

Spacecraft Configuration

Start of Procedure

End of Procedure

Reference File(s)

Input Command Sequences

Output Command Sequences
 HCHWU3B

Referenced Displays

ANDs GRDs SLDs
 ZAZ9C999

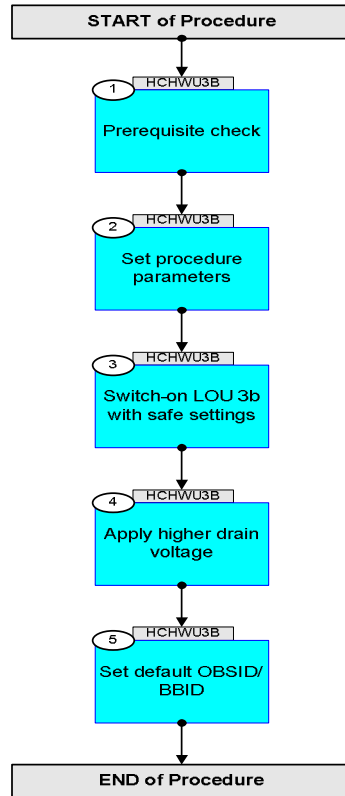
Configuration Control Information

DATE	FOP ISSUE	VERSION	MODIFICATION DESCRIPTION	AUTHOR	SPR REF
09/06/09	2.5	1	Created	R. Biggins	

HifiManCmd_LO_Warmup_3b
File: H_COP_HIF_WU3B.xls
Author: R. Biggins



Procedure Flowchart Overview



HifiManCmd_LO_Warmup_3b
 File: H_COP_HIF_WU3B.xls
 Author: R. Biggins



Step No.	Time	Activity/Remarks	TC/TLM	Display/ Branch
Beginning of Procedure				
<p><i>TC Seq. Name : HCHWU3B (Warm-up band 3B)</i></p> <p><i>TimeTag Type: N</i> <i>Sub Schedule ID:</i></p> <p style="text-align: center;">□</p>				
1		Prerequisite check		Next Step: 2
1.1		HSC/ICC input		□
		Verify that the HSC/ICC has supplied a valid OBSID value: OBS_ID = 0xnnnn nnnn		
		Verify that the HSC/ICC has supplied a valid value for the following FP: DRAIN2_V = 1.471V [def]		
2		Set procedure parameters		Next Step: 3
	ET=+ UT=+00.00.00	HIFI_Set_OBS_ID <div style="text-align: right;">HIFI_Set_OBS_ID</div> Command Parameter(s) : <div style="text-align: right;">HIFI_BB_ID HP001197</div> <div style="text-align: right;">HIFI_OBS_ID HP000197</div> TC Control Flags : <div style="text-align: right;">GBM IL DSE</div> <div style="text-align: right;">--Y -- ---</div> Subsch. ID : 70 Det. descr. : Set Observation-ID and Building-Block-ID	HC014289 1EF20001 <hex> OBS_ID	
3		Switch-on LOU 3b with safe settings		Next Step: 4
	ET=+ UT=+00.00.00	HIFI_HL_Normal <div style="text-align: right;">HIFI_HL_Normal</div> Command Parameter(s) : <div style="text-align: right;">HIFI_BB_ID HP001197</div> TC Control Flags : <div style="text-align: right;">GBM IL DSE</div> <div style="text-align: right;">--Y -- ---</div> Subsch. ID : 70 Det. descr. : Send single command to switch LCU to normal mode	HC082289 237633537 <dec>	

HifiManCmd_LO_Warmup_3b
 File: H_COP_HIF_WU3B.xls
 Author: R. Biggins



Step No.	Time	Activity/Remarks	TC/TLM	Display/ Branch
	ET=+ UT=+00.00.01	HIFI_Conf_safe_LCU_ch3b HIFI_Conf_safe_LCU_ch3b Command Parameter(s) : HIFI_BB_ID HP001197 HL_freq_nx HP436194 HL_LSU_main HP438194 HL_LSU_offset HP439194 HL_D2_step HP437194 HL_Drain2_3B_V HP338194 HL_Curlim2 HP291194 HL_macro_checksum HP440194 Subsch. ID : 70 Det. descr. : Create macro-command to configure LCU band 3b to safe setting	HC055289 260702209 <dec> 4 <dec> 4062327800 <dec> 4063377893 <dec> 2 <dec> 1.47 V 1.4 1 <dec>	
	ET=+ UT=+00.00.20	HIFI_LCU_all_tuning_hk HIFI_LCU_all_tuning_hk Subsch. ID : 70 Det. descr. : Requests all five LCU intermediate housekeeping-sets	HC193289	
	ET=+ UT=+00.00.02	HIFI_HL_heater HIFI_HL_heater Command Parameter(s) : HIFI_BB_ID HP001197 HL_heater HP397194 Subsch. ID : 70 Det. descr. : Send single command to control the LCU heater	HC086289 236912641 <dec> 2.0 V	
4		Apply higher drain voltage		Next Step: 5
	ET=+ UT=+00.00.00	HIFI_HL_Normal HIFI_HL_Normal Command Parameter(s) : HIFI_BB_ID HP001197 TC Control Flags : GBM IL DSE --Y -- --- Subsch. ID : 70 Det. descr. : Send single command to switch LCU to normal mode	HC082289 237633538 <dec>	

HifiManCmd_LO_Warmup_3b
 File: H_COP_HIF_WU3B.xls
 Author: R. Biggins



Step No.	Time	Activity/Remarks	TC/TLM	Display/ Branch
	ET=+ UT=+00.00.01	HIFI_Conf_safe_LCU_ch3b HIFI_Conf_safe_LCU_ch3b Command Parameter(s) : HIFI_BB_ID HP001197 HL_freq_nx HP436194 HL_LSU_main HP438194 HL_LSU_offset HP439194 HL_D2_step HP437194 HL_Drain2_3B_V HP338194 HL_Curlim2 HP291194 HL_macro_checksum HP440194 Subsch. ID : 70 Det. descr. : Create macro-command to configure LCU band 3b to safe setting	HC055289 260702210 <dec> 4 <dec> 4062327800 <dec> 4063377893 <dec> 2 <dec> DRAIN2_V 1.4 1 <dec>	
	ET=+ UT=+00.00.20	HIFI_LCU_all_tuning_hk HIFI_LCU_all_tuning_hk Subsch. ID : 70 Det. descr. : Requests all five LCU intermediate housekeeping-sets	HC193289	
	ET=+ UT=+00.00.02	HIFI_HL_heater HIFI_HL_heater Command Parameter(s) : HIFI_BB_ID HP001197 HL_heater HP397194 Subsch. ID : 70 Det. descr. : Send single command to control the LCU heater	HC086289 236912642 <dec> 2.0 V	
5		Set default OBSID/BBID		Next Step: END
	ET=+ UT=+00.00.00	HIFI_Set_OBS_ID HIFI_Set_OBS_ID Command Parameter(s) : HIFI_BB_ID HP001197 HIFI_OBS_ID HP000197 TC Control Flags : GBM IL DSE --Y -- --- Subsch. ID : 70 Det. descr. : Set Observation-ID and Building-Block-ID	HC014289 0 <hex> (Def) 0 <hex> (Def)	
		Verify Telemetry BB_ID_per_hk HM004190	= 0 <hex>	AND=ZAZ9C999
		Verify Telemetry OBS_ID_per_hk HM003190	= 0 <hex>	AND=ZAZ9C999
End of Procedure				