

LO functional test  
 File: H\_COP\_HIF\_RFL3.xls  
 Author: R. Biggins



## Procedure Summary

### Objectives

The objective of this procedure is to execute the standard functional test of the Local Oscillator Unit. It consists of a switch of each of the LO-band at the default frequencies and safe voltages, as well as an IV Curve characterization of the multipliers.

Based on procedure:  
 HIFI-COP-1.2-LO\_FT (v1)

### Summary of Constraints

Note that this procedure is made up of 2 sequences.  
 The second sequence is executed via the following TPF file:  
 HCHRFL3Y\_LO\_FT\_2A\_vvvv.IPF

### Spacecraft Configuration

**Start of Procedure**

n/a

**End of Procedure**

n/a

### Reference File(s)

**Input Command Sequences**

**Output Command Sequences**

HCHRFL3X  
 HCHRFL3Y

### Referenced Displays

**ANDs**      **GRDs**      **SLDs**  
 ZAZ9C999

### Configuration Control Information

DATE	FOP ISSUE	VERSION	MODIFICATION DESCRIPTION	AUTHOR	SPR REF
31/10/08		1	Created	R. Biggins	
26/11/08	2	2	Updates due to updates from D. Teyssier - Step 3 and 4 moved to the second sequence - Last 2 parameters of TC HIFI_P_Configure_FCU (step 5) changed to FP - HIFI_Conf_safe_LCU_ch1a replaced with HIFI_Conf_safe_LCU_ch2a	R. Biggins	
08/04/09	2.3	3	Changes due to updates from D. Teyssier - Step 3 removed - HIFI_non_periodic_hk_FCU TC removed from step 5 - TC flags updated	R. Biggins	

LO functional test  
 File: H\_COP\_HIF\_RFL3.xls  
 Author: R. Biggins

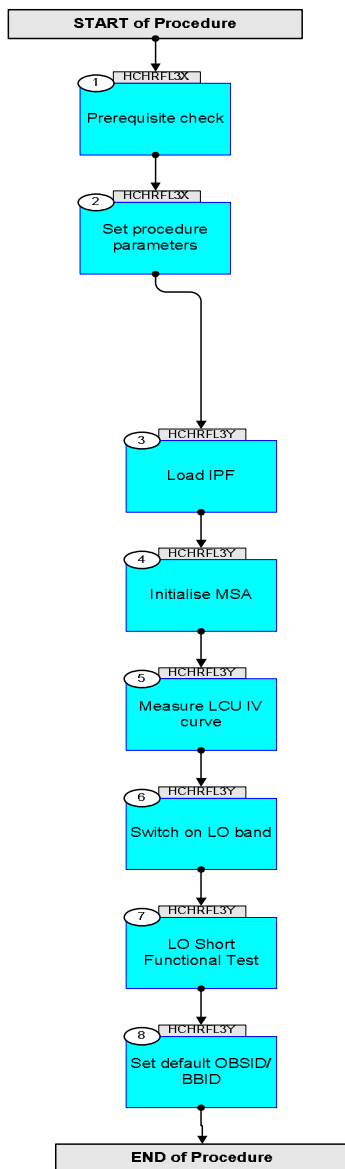


10/09/09	2.5	4	Updates based on comments by D. Teyssier - Pause added after step 5 and 6 - TC HC198289 added before HC019289 quintuplet	R. Biggins	
07/01/10		5	All ET times removed	R. Biggins	
08/01/10		6	Update due to MOIS error in generating FPs	R. Biggins	
11/01/10	3	7	Update due to continuing MOIS errors in imported FPs	R. Biggins	

LO functional test  
File: H\_COP\_HIF\_RFL3.xls  
Author: R. Biggins



### Procedure Flowchart Overview



LO functional test  
File: H\_COP\_HIF\_RFL3.xls  
Author: R. Biggins




Step No.	Time	Activity/Remarks	TC/TLM	Display/ Branch
<b>Beginning of Procedure</b>				
TC Seq. Name :HCHRFL3X (LO functional test)				
TimeTag Type: B				
Sub Schedule ID:				
□				
1		Prerequisite check		Next Step: 2
1.1		HSC/ICC input		□
		Verify that the HSC has supplied a valid OBSID value:  OBS_ID = 0xnnnn nnnn		
		Verify: the following IPF file has been generated and can be called from the Manual Stack (where vvvv is the latest version number):  HCHRFL3Y_LO_FT_2A_vvvv.IPF		
1.2		Verify initial conditions		□
		Verify Telemetry  <b>HI_Prime_red                      HM009190                      = HIFI_redundant</b>		AND=ZAZ9C999
		Verify: Verify the content of the following AND with the HIFI representative:  <b>HA006289      LCU_temperatures</b>		
2		Set procedure parameters		Next Step: 3
	ET=+ UT=+00.00.01	HIFI_Set_OBS_ID  <b>HIFI_Set_OBS_ID</b>  Command Parameter(s) :  <b>HIFI_BB_ID                      HP001197                      17700001 &lt;hex&gt;</b> <b>HIFI_OBS_ID                      HP000197                      OBS_ID</b>  TC Control Flags :  <b>GBM IL DSE</b> <b>--Y -- ---</b>  Subsch. ID : 70 Det. descr. : Set Observation-ID and Building-Block-ID	<b>HC014289</b>	
		Verify Telemetry  <b>BB_ID_per_hk                      HM004190                      = 17700001 &lt;hex&gt;</b>		AND=ZAZ9C999

LO functional test  
 File: H\_COP\_HIF\_RFL3.xls  
 Author: R. Biggins




Step No.	Time	Activity/Remarks	TC/TLM	Display/ Branch
		Verify Telemetry <b>OBS_ID_per_hk</b> <b>HM003190</b>	<b>OBS_ID</b>	AND=ZAZ9C999
	ET=+ UT=+00.00.00	HIFI_Housekeeping_on <b>HIFI_Housekeeping_on</b> Command Parameter(s) : <b>HIF_HK_rate</b> <b>HP012197</b> <b>HIF_FCU_S</b> <b>HP006197</b> <b>HIF_LCU_S</b> <b>HP007197</b> <b>HIF_WBSV_S</b> <b>HP009197</b> <b>HIF_WBSH_S</b> <b>HP008197</b> <b>HIF_HRSV_S</b> <b>HP011197</b> <b>HIF_HRSH_S</b> <b>HP010197</b>  TC Control Flags : <b>GBM IL DSE</b> <b>--Y -- ---</b>  Subsch. ID : 70 Det. descr. : Sets periodic housekeeping packet generation period	<b>HC016289</b>  <b>1_pkt_per_s</b> ON (Def) ON (Def) ON (Def) ON (Def) ON (Def) ON (Def)	
		Verify: The following <b>TM(3,25)</b> packets should be produced once every second:  <b>HIFI_essential_HK</b> (APID 1025) <b>HIFI_HK_rev_7</b> (APID 1027)		
TC Seq. Name :HCHRFL3Y (LO functional test)  TimeTag Type: N Sub Schedule ID:  <input type="checkbox"/>				
3		Load IPF		Next Step: 4
		Load the following IPF (TPF) file into the Manual Stack (where vvvv is the latest version number):  <b>HCHRFL3Y_LO_FT_2A_vvvv.IPF</b>		
4		Initialise MSA		Next Step: 5

LO functional test  
 File: H\_COP\_HIF\_RFL3.xls  
 Author: R. Biggins



Step No.	Time	Activity/Remarks	TC/TLM	Display/ Branch
	ET=+ UT=+00.00.01	HIFI_Configure_FCU_Power  HIFI_Configure_FCU_Power  Command Parameter(s) : HIFI_BB_ID                  HP001197 HF_CPR_Mixer_H_S          HP203191 HF_CPR_Mixer_V_S          HP204191 HF_CPR_Chopper_S          HP205191 HF_CPR_UCH_S              HP206191 HF_CPR_UCV_S              HP207191  TC Control Flags :  GBM IL DSE --Y -- ---  Subsch. ID : 70  Det. descr. : Switch ON or OFF the five FCU-boards (mixer H/V, chopper, IF HV)	HC027289   C800001 <hex> ON (Def) ON (Def) ON (Def) ON (Def) ON (Def) ON (Def)	
	ET=+ UT=+00.00.00	HIFI_R_Configure_FCU  HIFI_R_Configure_FCU  Command Parameter(s) : HIFI_BB_ID                  HP001197 HF_CPR_MX BAND              HP202191 HF_CH1_DPFP P1              HP176191 HF_CH2_FIF1_Drain_V          HP177191 HF_CH2_FIF1_Drain_C          HP178191 HF_CH2_FIF2_Drain_V          HP179191 HF_CH2_FIF2_Drain_C          HP180191 HF_CH2_SIF1_Drain_V          HP181191 HF_CH2_SIF1_Drain_C          HP182191 HF_CH2_SIF2_Drain_V          HP183191 HF_CH2_SIF2_Drain_C          HP184191  HF_CH2_SIF3_Drain_V          HP185191 HF_CH2_SIF3_Drain_C          HP186191 HF_CV1_DPFP P1              HP191191 HF_CV2_FIF1_Drain_V          HP192191 HF_CV2_FIF1_Drain_C          HP193191 HF_CV2_FIF2_Drain_V          HP194191 HF_CV2_FIF2_Drain_C          HP195191 HF_CV2_SIF1_Drain_V          HP196191 HF_CV2_SIF1_Drain_C          HP197191 HF_CV2_SIF2_Drain_V          HP198191 HF_CV2_SIF2_Drain_C          HP199191 HF_CV2_SIF3_Drain_V          HP200191 HF_CV2_SIF3_Drain_C          HP201191 HF_CPR_CH_SINE_S            HP211191 HF_CPR_CH_LOOP_S            HP210191	HC183289   C800001 <hex> 2 <dec> 0 <dec> 0.75 V 4.0 mA 0.65 V 3.0 mA 0.8 V 2.5 mA 0.75 V 2.5 mA  0.7 V 2.5 mA 0 <dec> 0.75 V 4.0 mA 0.65 V 3.0 mA 0.8 V 2.5 mA 0.8 V 2.1 mA 0.8 V 2.5 mA ON (Def) CLOSE (Def)	

LO functional test  
 File: H\_COP\_HIF\_RFL3.xls  
 Author: R. Biggins



Step No.	Time	Activity/Remarks	TC/TLM	Display/ Branch
		HF_CPR_CHFPG1 HP212191 HF_CPR_CHFPG2 HP213191 HF_CPR_CHFPG1 HP214191 HF_CPR_CHFPG2 HP215191 HF_CPR_CHFPG2 HP216191 HF_CPR_Cal_Heater_C HP217191 HF_CH1_MXBIAS_V HP172191 HF_CH1_MX_MG_C HP173191 HF_CV1_MXBIAS_V HP187191 HF_CV1_MX_MG_C HP188191 HF_R_Chopper_Rot HP455191 HF_CH1_DPACT_C HP174191 HF_CV1_DPACT_C HP189191  Subsch. ID : 70  Det. descr. : Configure the FCU-subsystem (redundant)	17 <dec> 201 <dec> (Def) 1010 <dec> 885 <dec> (Def) 149 <dec> (Def) 1.1 mA 2.1 mV 15.0 mA 2.1 mV 15.0 mA -2.33 V A B	
	ET=+ UT=+00.00.03	HIFI_CH1_MX_MG_C  HIFI_CH1_MX_MG_C  Command Parameter(s) : HIFI_BB_ID HP001197 HF_CH1_MX_MG_C HP173191  Subsch. ID : 70 Det. descr. : Send single command to set H mixer magnet current	HC096289  C800001 <hex> 8.5 mA	
	ET=+ UT=+00.00.00	HIFI_CV1_MX_MG_C  HIFI_CV1_MX_MG_C  Command Parameter(s) : HIFI_BB_ID HP001197 HF_CV1_MX_MG_C HP188191  Subsch. ID : 70 Det. descr. : Send single command to set V mixer magnet current	HC099289  C800001 <hex> 8.0 mA	
	ET=+ UT=+00.00.01	HIFI_HL_Normal  HIFI_HL_Normal  Command Parameter(s) : HIFI_BB_ID HP001197  Subsch. ID : 70 Det. descr. : Send single command to switch LCU to normal mode	HC082289  E2F0001 <hex>	
	ET=+ UT=+00.00.00	HIFI_Conf_nom_LCU_ch0  HIFI_Conf_nom_LCU_ch0  Command Parameter(s) : HIFI_BB_ID HP001197  Subsch. ID : 70 Det. descr. : Create macro-command to switch off the bands	HC049289  E2F0001 <hex>	

LO functional test  
 File: H\_COP\_HIF\_RFL3.xls  
 Author: R. Biggins



Step No.	Time	Activity/Remarks	TC/TLM	Display/ Branch
	ET=+ UT=+00.00.10	HIFI_HL_heater  HIFI_HL_heater  Command Parameter(s) : HIFI_BB_ID                  HP001197 HL_heater                  HP397194  Subsch. ID : 70 Det. descr. : Send single command to control the LCU heater	HC086289  E2F0001 <hex> 6.0 V	
		Verify Telemetry  HL_Channel_S                  HM003194	= OFF	AND=ZAZ9C999
		Verify Telemetry  HL_MODE_S                  HM258194	= normal	AND=ZAZ9C999
5		Measure LCU IV curve		Next Step: 6
	ET=+ UT=+00.00.00	HIFI_measure_LCU_IV  HIFI_measure_LCU_IV  Command Parameter(s) : HIFI_BB_ID                  HP001197 HIF_LCU_diode                  HP072197 HIF_LCU_IV_delay                  HP073197  TC Control Flags :  GBM IL DSE --Y -- ---  Subsch. ID : 70 Det. descr. : Perform IV-measurement on an LOU-diode	HC108289  E4F0001 <hex> M1_2a 90 <dec>	
	ET=+ UT=+00.01.32	HIFI_measure_LCU_IV  HIFI_measure_LCU_IV  Command Parameter(s) : HIFI_BB_ID                  HP001197 HIF_LCU_diode                  HP072197 HIF_LCU_IV_delay                  HP073197  Subsch. ID : 70 Det. descr. : Perform IV-measurement on an LOU-diode	HC108289  E4F0002 <hex> M2_2a 90 <dec>	
	ET=+ UT=+00.01.32	HIFI_measure_LCU_IV  HIFI_measure_LCU_IV  Command Parameter(s) : HIFI_BB_ID                  HP001197 HIF_LCU_diode                  HP072197 HIF_LCU_IV_delay                  HP073197  Subsch. ID : 70 Det. descr. : Perform IV-measurement on an LOU-diode	HC108289  E4F0003 <hex> M3_2a 90 <dec>	
		SPACON:  Confirmation from the HIFI representative should be requested before continuing.		



LO functional test  
 File: H\_COP\_HIF\_RFL3.xls  
 Author: R. Biggins



Step No.	Time	Activity/Remarks	TC/TLM	Display/ Branch
6		Switch on LO band		Next Step: 7
	ET=+ UT=+00.01.32	HIFI_HL_Normal  HIFI_HL_Normal Command Parameter(s) : HIFI_BB_ID                  HP001197 TC Control Flags : GBM IL DSE --Y -- --- Subsch. ID : 70 Det. descr. : Send single command to switch LCU to normal mode	HC082289  E2A0001 <hex>	
	ET=+ UT=+00.00.01	HIFI_Conf_safe_LCU_ch2a  HIFI_Conf_safe_LCU_ch2a Command Parameter(s) : HIFI_BB_ID                  HP001197 HL_freq_nx                  HP436194 HL_LSU_main                  HP438194 HL_LSU_offset                  HP439194 HL_D2_step                  HP437194 HL_Drain2_2A_V                  HP314194 HL_Curlim2                  HP291194 HL_macro_checksum                  HP440194 Subsch. ID : 70 Det. descr. : Create macro-command to configure LCU band 2a to safe setting	HC052289  1 2 3 4 5 6 7 8	
	ET=+ UT=+00.00.20	Execute Telecommand  HIFI_LCU_read_settings Subsch. ID : 70 Det. descr. : Requests setting parameters from LCU RAM page 7A	HC198289	
	ET=+ UT=+00.00.02	HIFI_LCU_macro_tuning_hk  HIFI_LCU_macro_tuning_hk Command Parameter(s) : HIF_LCU_memmacro                  HP068197 Subsch. ID : 70 Det. descr. : Requests one of the eight LCU intermediate housekeeping-sets	HC019289  HSK_TM1 (Def)	
	ET=+ UT=+00.00.02	HIFI_LCU_macro_tuning_hk  HIFI_LCU_macro_tuning_hk Command Parameter(s) : HIF_LCU_memmacro                  HP068197 Subsch. ID : 70 Det. descr. : Requests one of the eight LCU intermediate housekeeping-sets	HC019289  HSK_TM2	

LO functional test  
 File: H\_COP\_HIF\_RFL3.xls  
 Author: R. Biggins



Step No.	Time	Activity/Remarks	TC/TLM	Display/ Branch
	ET=+ UT=+00.00.02	HIFI_LCU_macro_tuning_hk <b>HIFI_LCU_macro_tuning_hk</b> Command Parameter(s) : <b>HIF_LCU_memmacro HP068197</b> Subsch. ID : 70 Det. descr. : Requests one of the eight LCU intermediate housekeeping-sets	HC019289  HSK_TM3	
	ET=+ UT=+00.00.02	HIFI_LCU_macro_tuning_hk <b>HIFI_LCU_macro_tuning_hk</b> Command Parameter(s) : <b>HIF_LCU_memmacro HP068197</b> Subsch. ID : 70 Det. descr. : Requests one of the eight LCU intermediate housekeeping-sets	HC019289  HSK_TM	
	ET=+ UT=+00.00.02	HIFI_LCU_macro_tuning_hk <b>HIFI_LCU_macro_tuning_hk</b> Command Parameter(s) : <b>HIF_LCU_memmacro HP068197</b> Subsch. ID : 70 Det. descr. : Requests one of the eight LCU intermediate housekeeping-sets	HC019289  HSK_G	
	ET=+ UT=+00.00.02	HIFI_LCU_Single <b>HIFI_LCU_Single</b> Command Parameter(s) : <b>HIFI_BB_ID HP001197</b> <b>LCU_cmd HP234194</b> Subsch. ID : 70 Det. descr. : Send a single command to LCU	HC101289  E210001 <hex> HL_CLR_ERR	
	ET=+ UT=+00.00.01	HIFI_HL_heater <b>HIFI_HL_heater</b> Command Parameter(s) : <b>HIFI_BB_ID HP001197</b> <b>HL_heater HP397194</b> Subsch. ID : 70 Det. descr. : Send single command to control the LCU heater	HC086289  9 10	
		Verify Telemetry <b>HL_Channel_S HM003194</b>	= 2a	AND=ZAZ9C999
		Verify Telemetry <b>HL_MODE_S HM258194</b>	= normal	AND=ZAZ9C999
		SPACON: Confirmation from the HIFI representative should be requested before continuing.		

LO functional test  
 File: H\_COP\_HIF\_RFL3.xls  
 Author: R. Biggins



Step No.	Time	Activity/Remarks	TC/TLM	Display/ Branch
7		LO Short Functional Test		Next Step: 8
		Verify: Monitor the following parameter and ensure that any occurrences of a 'FAULT' condition are communicated immediately to the HIFI representative (use AND HA004289).  HM259194 HL_error_word_S		
	ET=+ UT=+00.00.00	HIFI_HL_Normal  Command Parameter(s) : HIFI_BB_ID                                HP001197  TC Control Flags :  GBM IL DSE --Y -- ---  Subsch. ID : 70 Det. descr. : Send single command to switch LCU to normal mode	HC082289  E2A0002 <hex>	
	ET=+ UT=+00.00.01	HIFI_Conf_safe_LCU_ch2a  Command Parameter(s) : HIFI_BB_ID                                HP001197 HL_freq_nx                                HP436194 HL_LSU_main                                HP438194 HL_LSU_offset                                HP439194 HL_D2_step                                HP437194 HL_Drain2_2A_V                                HP314194 HL_Curlim2                                HP291194 HL_macro_checksum                                HP440194  Subsch. ID : 70 Det. descr. : Create macro-command to configure LCU band 2a to safe setting	HC052289  11 12 13 14 15 16 17 18	
	ET=+ UT=+00.00.20	Execute Telecommand  HIFI_LCU_read_settings  Subsch. ID : 70 Det. descr. : Requests setting parameters from LCU RAM page 7A	HC198289	
	ET=+ UT=+00.00.02	HIFI_LCU_macro_tuning_hk  Command Parameter(s) : HIF_LCU_memmacro                                HP068197  Subsch. ID : 70 Det. descr. : Requests one of the eight LCU intermediate housekeeping-sets	HC019289  HSK_TM1 (Def)	

LO functional test  
 File: H\_COP\_HIF\_RFL3.xls  
 Author: R. Biggins



Step No.	Time	Activity/Remarks	TC/TLM	Display/ Branch
	ET=+ UT=+00.00.02	HIFI_LCU_macro_tuning_hk HIFI_LCU_macro_tuning_hk Command Parameter(s) : HIF_LCU_memmacro                  HP068197 Subsch. ID : 70 Det. descr. : Requests one of the eight LCU intermediate housekeeping-sets	HC019289  HSK_TM2	
	ET=+ UT=+00.00.02	HIFI_LCU_macro_tuning_hk HIFI_LCU_macro_tuning_hk Command Parameter(s) : HIF_LCU_memmacro                  HP068197 Subsch. ID : 70 Det. descr. : Requests one of the eight LCU intermediate housekeeping-sets	HC019289  HSK_TM3	
	ET=+ UT=+00.00.02	HIFI_LCU_macro_tuning_hk HIFI_LCU_macro_tuning_hk Command Parameter(s) : HIF_LCU_memmacro                  HP068197 Subsch. ID : 70 Det. descr. : Requests one of the eight LCU intermediate housekeeping-sets	HC019289  HSK_TM	
	ET=+ UT=+00.00.02	HIFI_LCU_macro_tuning_hk HIFI_LCU_macro_tuning_hk Command Parameter(s) : HIF_LCU_memmacro                  HP068197 Subsch. ID : 70 Det. descr. : Requests one of the eight LCU intermediate housekeeping-sets	HC019289  HSK_G	
	ET=+ UT=+00.00.02	HIFI_LCU_Single HIFI_LCU_Single Command Parameter(s) : HIFI_BB_ID                  HP001197 LCU_cmd                  HP234194 Subsch. ID : 70 Det. descr. : Send a single command to LCU	HC101289  E210002 <hex> HL_CLR_ERR	
	ET=+ UT=+00.00.01	HIFI_HL_heater HIFI_HL_heater Command Parameter(s) : HIFI_BB_ID                  HP001197 HL_heater                  HP397194 Subsch. ID : 70 Det. descr. : Send single command to control the LCU heater	HC086289  19 20	

LO functional test  
 File: H\_COP\_HIF\_RFL3.xls  
 Author: R. Biggins



Step No.	Time	Activity/Remarks	TC/TLM	Display/ Branch
	ET=+ UT=+00.00.20	HIFI_HL_Normal  <p align="center"><b>HIFI_HL_Normal</b></p> <i>Command Parameter(s) :</i> <b>HIFI_BB_ID</b> <b>HP001197</b>  <i>Subsch. ID : 70</i> <i>Det. descr. : Send single command to switch LCU to normal mode</i>	<b>HC082289</b>  <b>E2A0003 &lt;hex&gt;</b>	
	ET=+ UT=+00.00.01	HIFI_Conf_safe_LCU_ch2a  <p align="center"><b>HIFI_Conf_safe_LCU_ch2a</b></p> <i>Command Parameter(s) :</i> <b>HIFI_BB_ID</b> <b>HP001197</b> <b>HL_freq_nx</b> <b>HP436194</b> <b>HL_LSU_main</b> <b>HP438194</b> <b>HL_LSU_offset</b> <b>HP439194</b> <b>HL_D2_step</b> <b>HP437194</b> <b>HL_Drain2_2A_V</b> <b>HP314194</b> <b>HL_Curlim2</b> <b>HP291194</b> <b>HL_macro_checksum</b> <b>HP440194</b>  <i>Subsch. ID : 70</i> <i>Det. descr. : Create macro-command to configure LCU band 2a to safe setting</i>	<b>HC052289</b>  21 22 23 24 25 26 27 28	
	ET=+ UT=+00.00.20	Execute Telecommand  <p align="center"><b>HIFI_LCU_read_settings</b></p> <i>Subsch. ID : 70</i> <i>Det. descr. : Requests setting parameters from LCU RAM page 7A</i>	<b>HC198289</b>	
	ET=+ UT=+00.00.02	HIFI_LCU_macro_tuning_hk  <p align="center"><b>HIFI_LCU_macro_tuning_hk</b></p> <i>Command Parameter(s) :</i> <b>HIF_LCU_memmacro</b> <b>HP068197</b>  <i>Subsch. ID : 70</i> <i>Det. descr. : Requests one of the eight LCU intermediate housekeeping-sets</i>	<b>HC019289</b>  <b>HSK_TM1 (Def)</b>	
	ET=+ UT=+00.00.02	HIFI_LCU_macro_tuning_hk  <p align="center"><b>HIFI_LCU_macro_tuning_hk</b></p> <i>Command Parameter(s) :</i> <b>HIF_LCU_memmacro</b> <b>HP068197</b>  <i>Subsch. ID : 70</i> <i>Det. descr. : Requests one of the eight LCU intermediate housekeeping-sets</i>	<b>HC019289</b>  <b>HSK_TM2</b>	

LO functional test  
 File: H\_COP\_HIF\_RFL3.xls  
 Author: R. Biggins



Step No.	Time	Activity/Remarks	TC/TLM	Display/ Branch
	ET=+ UT=+00.00.02	HIFI_LCU_macro_tuning_hk HIFI_LCU_macro_tuning_hk Command Parameter(s) : HIF_LCU_memmacro                  HP068197 Subsch. ID : 70 Det. descr. : Requests one of the eight LCU intermediate housekeeping-sets	HC019289  HSK_TM3	
	ET=+ UT=+00.00.02	HIFI_LCU_macro_tuning_hk HIFI_LCU_macro_tuning_hk Command Parameter(s) : HIF_LCU_memmacro                  HP068197 Subsch. ID : 70 Det. descr. : Requests one of the eight LCU intermediate housekeeping-sets	HC019289  HSK_TM	
	ET=+ UT=+00.00.02	HIFI_LCU_macro_tuning_hk HIFI_LCU_macro_tuning_hk Command Parameter(s) : HIF_LCU_memmacro                  HP068197 Subsch. ID : 70 Det. descr. : Requests one of the eight LCU intermediate housekeeping-sets	HC019289  HSK_G	
	ET=+ UT=+00.00.02	HIFI_LCU_Single HIFI_LCU_Single Command Parameter(s) : HIFI_BB_ID                  HP001197 LCU_cmd                  HP234194 Subsch. ID : 70 Det. descr. : Send a single command to LCU	HC101289  E210003 <hex> HL_CLR_ERR	
		Verify: Verify the content of the following ANDs with the HIFI representative:  HA004289 LCU_status2 HA009289 LCU_2a		
	ET=+ UT=+00.00.01	HIFI_Housekeeping_on HIFI_Housekeeping_on Command Parameter(s) : HIF_HK_rate                  HP012197 HIF_FCU_S                  HP006197 HIF_LCU_S                  HP007197 HIF_WBSV_S                  HP009197 HIF_WBSH_S                  HP008197 HIF_HRSV_S                  HP011197 HIF_HRSH_S                  HP010197  TC Control Flags :  GBM IL DSE --Y -- ---	HC016289  1_pkt_per_4_s ON (Def) ON (Def) ON (Def) ON (Def) ON (Def) ON (Def)	

LO functional test  
 File: H\_COP\_HIF\_RFL3.xls  
 Author: R. Biggins




Step No.	Time	Activity/Remarks	TC/TLM	Display/ Branch
		<i>Subsch. ID : 70</i> Det. descr. : Sets periodic housekeeping packet generation period		
		Verify: The following <b>TM(3,25)</b> packets should be produced once every 4 seconds:  <b>HIFI_essential_HK</b> (APID 1025) <b>HIFI_HK_rev_7</b> (APID 1027)		
8		<i>Set default OBSID/BBID</i>		Next Step: END
	ET=+ UT=+00.00.01	HIFI_Set_OBS_ID  Command Parameter(s) : <b>HIFI_BB_ID</b> <b>HP001197</b> <b>HIFI_OBS_ID</b> <b>HP000197</b>  TC Control Flags :  <b>GBM IL DSE</b> <b>--Y -- ---</b>  <i>Subsch. ID : 70</i> Det. descr. : Set Observation-ID and Building-Block-ID	HIFI_Set_OBS_ID   <b>HC014289</b>	
		Verify Telemetry  <b>BB_ID_per_hk</b> <b>HM004190</b>	<b>= 0 &lt;hex&gt;</b>	AND=ZAZ9C999
		Verify Telemetry  <b>OBS_ID_per_hk</b> <b>HM003190</b>	<b>= 0 &lt;hex&gt;</b>	AND=ZAZ9C999
<b>End of Procedure</b>				