

FPU functional test
 File: H_COP_HIF_RFF4.xls
 Author: R. Biggins



Procedure Summary

Objectives

The objective of this procedure is to execute a functional test on band 4a of the FPU

- Initialise FPU
- Execute FPU heater test

Based on procedure:
 HIFI-COP-1.2-FPU_FT (v6)

Summary of Constraints

Real-time science packets should be enabled for downlink for HIFI analysis

Spacecraft Configuration

Start of Procedure

n/a

End of Procedure

n/a

Reference File(s)

Input Command Sequences

Output Command Sequences

HCHRRF4

Referenced Displays

ANDs	GRDs	SLDs
ZAZ9C999		
HA038289		
HA039289		

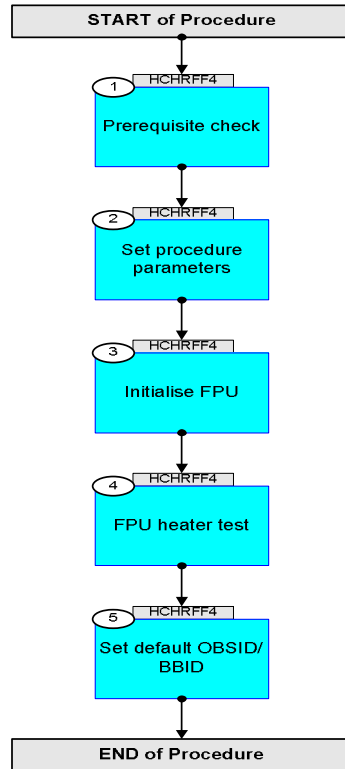
Configuration Control Information

DATE	FOP ISSUE	VERSION	MODIFICATION DESCRIPTION	AUTHOR	SPR REF
27/08/09	2.5	1	Created	R. Biggins	
26/11/09	3	2	Updates due to Prime unit failure resulting in new operation scheme - Execution times removed - TM APIDs updated	R. Biggins	

FPU functional test
File: H_COP_HIF_RFF4.xls
Author: R. Biggins



Procedure Flowchart Overview



FPU functional test
 File: H_COP_HIF_RFF4.xls
 Author: R. Biggins



Step No.	Time	Activity/Remarks	TC/TLM	Display/ Branch																									
Beginning of Procedure																													
TC Seq. Name : HCHRFF4 (FPU functional test)																													
TimeTag Type: B Sub Schedule ID: □																													
1		Prerequisite check		Next Step: 2																									
1.1		HSC/ICC input		□																									
		Verify that the HSC/ICC has supplied a valid OBSID value: OBS_ID = 0xnnnn nnnn																											
2		Set procedure parameters		Next Step: 3																									
	ET=+ UT=+00.00.01	HIFI_Set_OBS_ID Command Parameter(s) : <table style="width: 100%; border: none;"> <tr> <td style="text-align: right;">HIFI_BB_ID</td> <td>HP001197</td> <td>17700001 <hex></td> </tr> <tr> <td style="text-align: right;">HIFI_OBS_ID</td> <td>HP000197</td> <td>OBS_ID</td> </tr> </table> TC Control Flags : <table style="width: 100%; border: none;"> <tr> <td style="text-align: right;">GBM IL DSE</td> <td></td> </tr> <tr> <td style="text-align: right;">--Y -- --</td> <td></td> </tr> </table> Subsch. ID : 70 Det. descr. : Set Observation-ID and Building-Block-ID	HIFI_BB_ID	HP001197	17700001 <hex>	HIFI_OBS_ID	HP000197	OBS_ID	GBM IL DSE		--Y -- --		HC014289																
HIFI_BB_ID	HP001197	17700001 <hex>																											
HIFI_OBS_ID	HP000197	OBS_ID																											
GBM IL DSE																													
--Y -- --																													
		Verify Telemetry <table style="width: 100%; border: none;"> <tr> <td style="text-align: right;">BB_ID_per_hk</td> <td>HM004190</td> <td>= 17700001 <hex></td> </tr> </table>	BB_ID_per_hk	HM004190	= 17700001 <hex>		AND=ZAZ9C999																						
BB_ID_per_hk	HM004190	= 17700001 <hex>																											
		Verify Telemetry <table style="width: 100%; border: none;"> <tr> <td style="text-align: right;">OBS_ID_per_hk</td> <td>HM003190</td> <td>OBS_ID</td> </tr> </table>	OBS_ID_per_hk	HM003190	OBS_ID		AND=ZAZ9C999																						
OBS_ID_per_hk	HM003190	OBS_ID																											
	ET=+ UT=+00.00.00	HIFI_Housekeeping_on Command Parameter(s) : <table style="width: 100%; border: none;"> <tr> <td style="text-align: right;">HIF_HK_rate</td> <td>HP012197</td> <td>1_pkt_per_s</td> </tr> <tr> <td style="text-align: right;">HIF_FCU_S</td> <td>HP006197</td> <td>ON (Def)</td> </tr> <tr> <td style="text-align: right;">HIF_LCU_S</td> <td>HP007197</td> <td>ON (Def)</td> </tr> <tr> <td style="text-align: right;">HIF_WBSV_S</td> <td>HP009197</td> <td>ON (Def)</td> </tr> <tr> <td style="text-align: right;">HIF_WBSH_S</td> <td>HP008197</td> <td>ON (Def)</td> </tr> <tr> <td style="text-align: right;">HIF_HRSV_S</td> <td>HP011197</td> <td>ON (Def)</td> </tr> <tr> <td style="text-align: right;">HIF_HRSR_S</td> <td>HP010197</td> <td>ON (Def)</td> </tr> </table> TC Control Flags : <table style="width: 100%; border: none;"> <tr> <td style="text-align: right;">GBM IL DSE</td> <td></td> </tr> <tr> <td style="text-align: right;">--Y -- --</td> <td></td> </tr> </table>	HIF_HK_rate	HP012197	1_pkt_per_s	HIF_FCU_S	HP006197	ON (Def)	HIF_LCU_S	HP007197	ON (Def)	HIF_WBSV_S	HP009197	ON (Def)	HIF_WBSH_S	HP008197	ON (Def)	HIF_HRSV_S	HP011197	ON (Def)	HIF_HRSR_S	HP010197	ON (Def)	GBM IL DSE		--Y -- --		HC016289	
HIF_HK_rate	HP012197	1_pkt_per_s																											
HIF_FCU_S	HP006197	ON (Def)																											
HIF_LCU_S	HP007197	ON (Def)																											
HIF_WBSV_S	HP009197	ON (Def)																											
HIF_WBSH_S	HP008197	ON (Def)																											
HIF_HRSV_S	HP011197	ON (Def)																											
HIF_HRSR_S	HP010197	ON (Def)																											
GBM IL DSE																													
--Y -- --																													

FPU functional test
 File: H_COP_HIF_RFF4.xls
 Author: R. Biggins



Step No.	Time	Activity/Remarks	TC/TLM	Display/ Branch																																	
		Subsch. ID : 70 Det. descr. : Sets periodic housekeeping packet generation period																																			
		Verify: The following TM(3,25) packets should be produced once every second: HIFI_essential_HK (APID 1025) HIFI_HK_rev_7 (APID 1027)																																			
3		Initialise FPU		Next Step: 4																																	
	ET=+ UT=+00.00.01	HIFI_Configure_FCU_Power HIFI_Configure_FCU_Power Command Parameter(s) : <table border="0"> <tr><td>HIFI_BB_ID</td><td>HP001197</td><td>1C200001 <hex></td></tr> <tr><td>HF_CPR_Mixer_H_S</td><td>HP203191</td><td>ON (Def)</td></tr> <tr><td>HF_CPR_Mixer_V_S</td><td>HP204191</td><td>ON (Def)</td></tr> <tr><td>HF_CPR_Chopper_S</td><td>HP205191</td><td>ON (Def)</td></tr> <tr><td>HF_CPR_UCH_S</td><td>HP206191</td><td>ON (Def)</td></tr> <tr><td>HF_CPR_UCV_S</td><td>HP207191</td><td>ON (Def)</td></tr> </table> TC Control Flags : <table border="0"> <tr><td>GBM IL DSE</td></tr> <tr><td>--Y -- ---</td></tr> </table> Subsch. ID : 70 Det. descr. : Switch ON or OFF the five FCU-boards (mixer H/V, chopper, IF HV)	HIFI_BB_ID	HP001197	1C200001 <hex>	HF_CPR_Mixer_H_S	HP203191	ON (Def)	HF_CPR_Mixer_V_S	HP204191	ON (Def)	HF_CPR_Chopper_S	HP205191	ON (Def)	HF_CPR_UCH_S	HP206191	ON (Def)	HF_CPR_UCV_S	HP207191	ON (Def)	GBM IL DSE	--Y -- ---	HC027289														
HIFI_BB_ID	HP001197	1C200001 <hex>																																			
HF_CPR_Mixer_H_S	HP203191	ON (Def)																																			
HF_CPR_Mixer_V_S	HP204191	ON (Def)																																			
HF_CPR_Chopper_S	HP205191	ON (Def)																																			
HF_CPR_UCH_S	HP206191	ON (Def)																																			
HF_CPR_UCV_S	HP207191	ON (Def)																																			
GBM IL DSE																																					
--Y -- ---																																					
		Verify Telemetry BB_ID_per_hk HM004190	= 1C200001 <hex>	AND=ZAZ9C999																																	
	ET=+ UT=+00.00.00	HIFI_R_Configure_FCU HIFI_R_Configure_FCU Command Parameter(s) : <table border="0"> <tr><td>HIFI_BB_ID</td><td>HP001197</td><td>1C200001 <hex></td></tr> <tr><td>HF_CPR_MXBAND</td><td>HP202191</td><td>4 <dec></td></tr> <tr><td>HF_CH1_DPFP1</td><td>HP176191</td><td>227 <dec> (Def)</td></tr> <tr><td>HF_CH2_FIF1_Drain_V</td><td>HP177191</td><td>0.75 V</td></tr> <tr><td>HF_CH2_FIF1_Drain_C</td><td>HP178191</td><td>4.0 mA</td></tr> <tr><td>HF_CH2_FIF2_Drain_V</td><td>HP179191</td><td>0.65 V</td></tr> <tr><td>HF_CH2_FIF2_Drain_C</td><td>HP180191</td><td>3.0 mA</td></tr> <tr><td>HF_CH2_SIF1_Drain_V</td><td>HP181191</td><td>0.85 V</td></tr> <tr><td>HF_CH2_SIF1_Drain_C</td><td>HP182191</td><td>2.5 mA</td></tr> <tr><td>HF_CH2_SIF2_Drain_V</td><td>HP183191</td><td>0.75 V</td></tr> <tr><td>HF_CH2_SIF2_Drain_C</td><td>HP184191</td><td>2.1 mA</td></tr> </table>	HIFI_BB_ID	HP001197	1C200001 <hex>	HF_CPR_MXBAND	HP202191	4 <dec>	HF_CH1_DPFP1	HP176191	227 <dec> (Def)	HF_CH2_FIF1_Drain_V	HP177191	0.75 V	HF_CH2_FIF1_Drain_C	HP178191	4.0 mA	HF_CH2_FIF2_Drain_V	HP179191	0.65 V	HF_CH2_FIF2_Drain_C	HP180191	3.0 mA	HF_CH2_SIF1_Drain_V	HP181191	0.85 V	HF_CH2_SIF1_Drain_C	HP182191	2.5 mA	HF_CH2_SIF2_Drain_V	HP183191	0.75 V	HF_CH2_SIF2_Drain_C	HP184191	2.1 mA	HC183289	
HIFI_BB_ID	HP001197	1C200001 <hex>																																			
HF_CPR_MXBAND	HP202191	4 <dec>																																			
HF_CH1_DPFP1	HP176191	227 <dec> (Def)																																			
HF_CH2_FIF1_Drain_V	HP177191	0.75 V																																			
HF_CH2_FIF1_Drain_C	HP178191	4.0 mA																																			
HF_CH2_FIF2_Drain_V	HP179191	0.65 V																																			
HF_CH2_FIF2_Drain_C	HP180191	3.0 mA																																			
HF_CH2_SIF1_Drain_V	HP181191	0.85 V																																			
HF_CH2_SIF1_Drain_C	HP182191	2.5 mA																																			
HF_CH2_SIF2_Drain_V	HP183191	0.75 V																																			
HF_CH2_SIF2_Drain_C	HP184191	2.1 mA																																			

FPU functional test
 File: H_COP_HIF_RFF4.xls
 Author: R. Biggins



Step No.	Time	Activity/Remarks	TC/TLM	Display/ Branch
		HF_CH2_SIF3_Drain_V HP185191 HF_CH2_SIF3_Drain_C HP186191 HF_CV1_DPFP1 HP191191 HF_CV2_FIF1_Drain_V HP192191 HF_CV2_FIF1_Drain_C HP193191 HF_CV2_FIF2_Drain_V HP194191 HF_CV2_FIF2_Drain_C HP195191 HF_CV2_SIF1_Drain_V HP196191 HF_CV2_SIF1_Drain_C HP197191 HF_CV2_SIF2_Drain_V HP198191 HF_CV2_SIF2_Drain_C HP199191 HF_CV2_SIF3_Drain_V HP200191 HF_CV2_SIF3_Drain_C HP201191 HF_CPR_CH_SINE_S HP211191 HF_CPR_CH_LOOP_S HP210191 HF_CPR_CHFPG1 HP212191 HF_CPR_CHFPG2 HP213191 HF_CPR_CHFPZ1 HP214191 HF_CPR_CHFPZ2 HP215191 HF_CPR_CHFPP2 HP216191 HF_CPR_Cal_Heater_C HP217191 HF_CH1_MXBIAS_V HP172191 HF_CH1_MX_MG_C HP173191 HF_CV1_MXBIAS_V HP187191 HF_CV1_MX_MG_C HP188191 HF_R_Chopper_Rot HP455191 HF_CH1_DFACT_C HP174191 HF_CV1_DFACT_C HP189191	0.7 V 2.5 mA 227 <dec> (Def) 0.75 V 4.0 mA 0.65 V 3.0 mA 0.9 V 2.5 mA 0.75 V 1.9 mA 0.75 V 2.5 mA ON (Def) CLOSE (Def) 17 <dec> 201 <dec> (Def) 1010 <dec> 885 <dec> (Def) 149 <dec> (Def) 1.1 mA 1.780 mV 15.0 mA 1.780 mV 15.0 mA -2.33 V 1.555 mA 0.652 mA	
		TC Control Flags : GBM IL DSE --Y -- --- Subsch. ID : 70 Det. descr. : Configure the FCU-subsystem (redundant)		
	ET=+ UT=+00.00.03	HIFI_CH1_MX_MG_C Command Parameter(s) : HIFI_BB ID HP001197 HF_CH1_MX_MG_C HP173191 Subsch. ID : 70 Det. descr. : Send single command to set H mixer magnet current	HIFI_CH1_MX_MG_C HC096289 1C200001 <hex> 5.25 mA	
	ET=+ UT=+00.00.00	HIFI_CV1_MX_MG_C Command Parameter(s) : HIFI_BB ID HP001197 HF_CV1_MX_MG_C HP188191 Subsch. ID : 70 Det. descr. : Send single command to set V mixer magnet current	HIFI_CV1_MX_MG_C HC099289 1C200001 <hex> 5.3 mA	
		Verify: Verify the content of the following ANDs with the HIFI representative:		

FPU functional test
 File: H_COP_HIF_RFF4.xls
 Author: R. Biggins



Step No.	Time	Activity/Remarks	TC/TLM	Display/ Branch
		HA038289 FCU_H_device HA039289 FCU_V_device HA042289 FCU_PR_power HA044289 FCU_common		
4		FPU heater test		Next Step: 5
	ET=+ UT=+00.00.01	HIFI_CH1_MX_MG_C HIFI_CH1_MX_MG_C Command Parameter(s) : HIFI_BB_ID HP001197 HF_CH1_MX_MG_C HP173191 TC Control Flags : GBM IL DSE --Y -- --- Subsch. ID : 70 Det. descr. : Send single command to set H mixer magnet current	HC096289 CA80001 <hex> 0.0 mA (Def)	
	ET=+ UT=+00.00.00	HIFI_CV1_MX_MG_C HIFI_CV1_MX_MG_C Command Parameter(s) : HIFI_BB_ID HP001197 HF_CV1_MX_MG_C HP188191 Subsch. ID : 70 Det. descr. : Send single command to set V mixer magnet current	HC099289 CA80001 <hex> 0.0 mA (Def)	
		Verify: In the 2 seconds following the upcoming TC, the following parameter (HF_AH1_DHTR_C) should increase in the vicinity of 17mA, then drop to its initial value.		
	ET=+ UT=+00.00.01	HIFI_HF_CH1_DHTR_C HIFI_HF_CH1_DHTR_C Command Parameter(s) : HIFI_BB_ID HP001197 HF_CH1_DHTR_P HP218191 TC Control Flags : GBM IL DSE --Y -- --- Subsch. ID : 70 Det. descr. : Send single command to generate a H deflux heater pulse	HC093289 CA80001 <hex> 3000.0 ms	
		Verify Telemetry HF_AH1_DHTR_C HM042191	see above	AND=HA038289
		Verify: In the 2 seconds following the upcoming TC, the following parameter (HF_AV1_DHTR_C) should increase in the vicinity of 17mA, then drop to its initial value.		

FPU functional test
 File: H_COP_HIF_RFF4.xls
 Author: R. Biggins



Step No.	Time	Activity/Remarks	TC/TLM	Display/ Branch
	ET=+ UT=+00.00.04	HIFI_HF_CV1_DHTR_C HIFI_HF_CV1_DHTR_C Command Parameter(s) : HIFI_BB_ID HP001197 HF_CV1_DHTR_P HP219191 TC Control Flags : GBM IL DSE --Y -- --- Subsch. ID : 70 Det. descr. : Send single command to generate a V deflux heater pulse	HC094289 CA80001 <hex> 6000.0 ms	
		Verify Telemetry HF_AV1_DHTR_C HM133191	see above	AND=HA039289
	ET=+ UT=+00.02.07	HIFI_CH1_MX_MG_C HIFI_CH1_MX_MG_C Command Parameter(s) : HIFI_BB_ID HP001197 HF_CH1_MX_MG_C HP173191 Subsch. ID : 70 Det. descr. : Send single command to set H mixer magnet current	HC096289 CA80001 <hex> 15.0 mA	
	ET=+ UT=+00.00.00	HIFI_CV1_MX_MG_C HIFI_CV1_MX_MG_C Command Parameter(s) : HIFI_BB_ID HP001197 HF_CV1_MX_MG_C HP188191 Subsch. ID : 70 Det. descr. : Send single command to set V mixer magnet current	HC099289 CA80001 <hex> 15.0 mA	
	ET=+ UT=+00.00.01	HIFI_CH1_MX_MG_C HIFI_CH1_MX_MG_C Command Parameter(s) : HIFI_BB_ID HP001197 HF_CH1_MX_MG_C HP173191 Subsch. ID : 70 Det. descr. : Send single command to set H mixer magnet current	HC096289 CA80001 <hex> 5.25 mA	
	ET=+ UT=+00.00.00	HIFI_CV1_MX_MG_C HIFI_CV1_MX_MG_C Command Parameter(s) : HIFI_BB_ID HP001197 HF_CV1_MX_MG_C HP188191 Subsch. ID : 70 Det. descr. : Send single command to set V mixer magnet current	HC099289 CA80001 <hex> 5.3 mA	

FPU functional test
 File: H_COP_HIF_RFF4.xls
 Author: R. Biggins



Step No.	Time	Activity/Remarks	TC/TLM	Display/ Branch
	ET=+ UT=+00.00.01	HIFI_Housekeeping_on HIFI_Housekeeping_on <i>Command Parameter(s) :</i> HIF_HK_rate HP012197 HIF_FCU_S HP006197 HIF_LCU_S HP007197 HIF_WBSV_S HP009197 HIF_WBSH_S HP008197 HIF_HRSV_S HP011197 HIF_HRSH_S HP010197 <i>Subsch. ID : 70</i> Det. descr. : Sets periodic housekeeping packet generation period	HC016289 1_pkt_per_4_s ON (Def) ON (Def) ON (Def) ON (Def) ON (Def) ON (Def)	
		Verify: The following TM(3,25) packets should be produced once every 4 seconds: HIFI_essential_HK (APID 1025) HIFI_HK_rev_7 (APID 1027)		
5		<i>Set default OBSID/BBID</i>		Next Step: END
	ET=+ UT=+00.00.01	HIFI_Set_OBS_ID HIFI_Set_OBS_ID <i>Command Parameter(s) :</i> HIFI_BB_ID HP001197 HIFI_OBS_ID HP000197 <i>TC Control Flags :</i> GBM IL DSE --Y -- --- <i>Subsch. ID : 70</i> Det. descr. : Set Observation-ID and Building-Block-ID	HC014289 0 <hex> (Def) 0 <hex> (Def)	
		Verify Telemetry BB_ID_per_hk HM004190	= 0 <hex>	AND=ZAZ9C999
		Verify Telemetry OBS_ID_per_hk HM003190	= 0 <hex>	AND=ZAZ9C999
End of Procedure				