

LO functional test  
 File: H\_COP\_HIF\_NFL7.xls  
 Author: R. Biggins



## Procedure Summary

### Objectives

The objective of this procedure is to execute the standard functional test of the Local Oscillator Unit. It consists of a switch of each of the LO-band at the default frequencies and safe voltages, as well as an IV Curve characterization of the multipliers.

Based on procedure:  
 HIFI-COP-1.2-LO\_FT (v1)

### Summary of Constraints

Note that this procedure is made up of 2 sequences.  
 The second sequence is executed via the following TPF file:  
 HCHNFL7Y\_LO\_FT\_4A\_vvvv.IPF

### Spacecraft Configuration

**Start of Procedure**

n/a

**End of Procedure**

n/a

### Reference File(s)

**Input Command Sequences**

**Output Command Sequences**

HCHNFL7X  
 HCHNFL7Y

### Referenced Displays

**ANDs**      **GRDs**      **SLDs**  
 ZAZ9C999

### Configuration Control Information

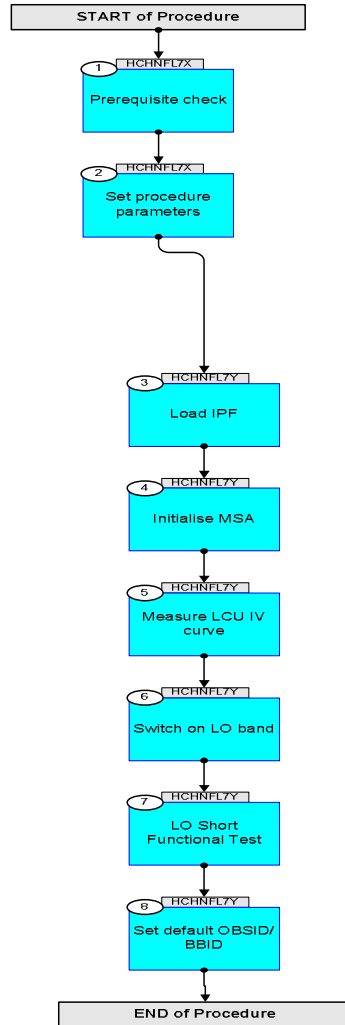
DATE	FOP ISSUE	VERSION	MODIFICATION DESCRIPTION	AUTHOR	SPR REF
31/10/08		1	Created	R. Biggins	
20/11/08		2	Updates due to updates from D. Teyssier - Step 3 and 4 moved to the second sequence - Last 2 parameters of TC HIFI_P_Configure_FCU (step 5) changed to FP	R. Biggins	
12/12/08		3	Changes due to IPF testing - ALL time tags updated (ET removed) - no change bars	R. Biggins	
13/12/08	2	4	Updates due to errors in the formal parameters	R. Biggins	
08/04/09	2.3	5	Changes due to updates from D. Teyssier - Step 3 removed - HIFI_non_periodic_hk_FCU TC removes from step 5 - TC flags updated	R. Biggins	

Status : Version 5 - Unchanged  
 Last Checkin: 08/04/09

LO functional test  
File: H\_COP\_HIF\_NFL7.xls  
Author: R. Biggins



## Procedure Flowchart Overview



LO functional test  
File: H\_COP\_HIF\_NFL7.xls  
Author: R. Biggins



Step No.	Time	Activity/Remarks	TC/TLM	Display/ Branch
<b>Beginning of Procedure</b>				
<i>TC Seq. Name :HCHNFL7X (LO functional test)</i>				
<i>TimeTag Type: N Sub Schedule ID:  □</i>				
1		<i>Prerequisite check</i>		Next Step: 2
1.1		<i>HSC/ICC input</i>		□
		Verify that the HSC has supplied a valid OBSID value:  OBS_ID = 0xnnnn nnnn		
		Verify: the following IPF file has been generated and can be called from the Manual Stack (where vvvv is the latest version number):  HCHNFL7Y_LO_FT_4A_vvvv.IPF		
1.2		<i>Verify initial conditions</i>		□
		Verify Telemetry  <b>HI_Prime_red                    HM009190                    = HIFI_prime</b>		AND=ZAZ9C999
		Verify: Verify the content of the following AND with the HIFI representative:  HA006289    LCU_temperatures		
2		<i>Set procedure parameters</i>		Next Step: 3
	ET=+ UT=+00.00.01	HIFI_Set_OBS_ID  <b>HIFI_Set_OBS_ID</b>  Command Parameter(s) : <b>HIFI_BB_ID                    HP001197                    17700001 &lt;hex&gt;</b> <b>HIFI_OBS_ID                    HP000197                    OBS_ID</b>  TC Control Flags : <b>GBM IL DSE</b> <b>--Y -- ---</b>  Subsch. ID : 70 Det. descr. : Set Observation-ID and Building-Block-ID	<b>HC014289</b>	
		Verify Telemetry  <b>BB_ID_per_hk                    HM004190                    = 17700001 &lt;hex&gt;</b>		AND=ZAZ9C999

LO functional test  
File: H\_COP\_HIF\_NFL7.xls  
Author: R. Biggins



Step No.	Time	Activity/Remarks	TC/TLM	Display/ Branch
		Verify Telemetry <b>OBS_ID_per_hk</b> <b>HM003190</b>	<b>OBS_ID</b>	AND=ZAZ9C999
	ET=+ UT=+00.00.00	HIFI_Housekeeping_on <b>HIFI_Housekeeping_on</b>  Command Parameter(s) : <b>HIF_HK_rate</b> <b>HP012197</b> <b>HIF_FCU_S</b> <b>HP006197</b> <b>HIF_LCU_S</b> <b>HP007197</b> <b>HIF_WBSV_S</b> <b>HP009197</b> <b>HIF_WBSH_S</b> <b>HP008197</b> <b>HIF_HRSV_S</b> <b>HP011197</b> <b>HIF_HRS_H</b> <b>HP010197</b>  TC Control Flags :  <b>GBM IL DSE</b> <b>--Y -- ---</b>  Subsch. ID : 70 Det. descr. : Sets periodic housekeeping packet generation period	<b>HC016289</b>  <b>1_pkt_per_s</b> ON (Def) ON (Def) ON (Def) ON (Def) ON (Def) ON (Def)	
		Verify: The following <b>TM(3,25)</b> packets should be produced once every second:  <b>HIFI_essential_HK</b> (APID 1024) <b>HIFI_HK_rev_7</b> (APID 1026)		
TC Seq. Name :HCHNFL7Y (LO functional test)  TimeTag Type: N Sub Schedule ID:  <input type="checkbox"/>				
3		Load IPF		Next Step: 4
		Load the following IPF (TPF) file into the Manual Stack (where vvvv is the latest version number):  <b>HCHNFL7Y_LO_FT_4A_vvvv.IPF</b>		
4		Initialise MSA		Next Step: 5

LO functional test  
 File: H\_COP\_HIF\_NFL7.xls  
 Author: R. Biggins



Step No.	Time	Activity/Remarks	TC/TLM	Display/ Branch
	ET=+ UT=+00.00.01	HIFI_Configure_FCU_Power  HIFI_Configure_FCU_Power  Command Parameter(s) : HIFI_BB_ID                  HP001197 HF_CPR_Mixer_H_S          HP203191 HF_CPR_Mixer_V_S          HP204191 HF_CPR_Chopper_S          HP205191 HF_CPR_UCH_S              HP206191 HF_CPR_UCV_S              HP207191  TC Control Flags : GBM IL DSE --Y -- ---  Subsch. ID : 70  Det. descr. : Switch ON or OFF the five FCU-boards (mixer H/V, chopper, IF HV)	HC027289  C800001 <hex> ON (Def) ON (Def) ON (Def) ON (Def) ON (Def) ON (Def)	
	ET=+ UT=+00.00.00	HIFI_P_Configure_FCU  HIFI_P_Configure_FCU  Command Parameter(s) : HIFI_BB_ID                  HP001197 HF_CPR_MX BAND              HP202191 HF_CH1_DPFPFP1              HP176191 HF_CH2_FIF1_Drain_V          HP177191 HF_CH2_FIF1_Drain_C          HP178191 HF_CH2_FIF2_Drain_V          HP179191 HF_CH2_FIF2_Drain_C          HP180191 HF_CH2_SIF1_Drain_V          HP181191 HF_CH2_SIF1_Drain_C          HP182191 HF_CH2_SIF2_Drain_V          HP183191 HF_CH2_SIF2_Drain_C          HP184191  HF_CH2_SIF3_Drain_V          HP185191 HF_CH2_SIF3_Drain_C          HP186191 HF_CV1_DPFPFP1              HP191191 HF_CV2_FIF1_Drain_V          HP192191 HF_CV2_FIF1_Drain_C          HP193191 HF_CV2_FIF2_Drain_V          HP194191 HF_CV2_FIF2_Drain_C          HP195191 HF_CV2_SIF1_Drain_V          HP196191 HF_CV2_SIF1_Drain_C          HP197191 HF_CV2_SIF2_Drain_V          HP198191 HF_CV2_SIF2_Drain_C          HP199191 HF_CV2_SIF3_Drain_V          HP200191 HF_CV2_SIF3_Drain_C          HP201191 HF_CPR_CH_SINE_S              HP211191 HF_CPR_CH_LOOP_S              HP210191	HC182289  C800001 <hex> 4 <dec> 227 <dec> (Def) 0.75 V 4.0 mA 0.65 V 3.0 mA 0.85 V 2.5 mA 0.75 V 2.1 mA  0.7 V 2.5 mA 227 <dec> (Def) 0.75 V 4.0 mA 0.65 V 3.0 mA 0.9 V 2.5 mA 0.75 V 1.9 mA 0.75 V 2.5 mA ON (Def) CLOSE (Def)	

LO functional test  
 File: H\_COP\_HIF\_NFL7.xls  
 Author: R. Biggins



Step No.	Time	Activity/Remarks	TC/TLM	Display/ Branch
		HF_CPR_CHFPG1 HP212191 HF_CPR_CHFPG2 HP213191 HF_CPR_CHFPZ1 HP214191 HF_CPR_CHFPZ2 HP215191 HF_CPR_CHFPP2 HP216191 HF_CPR_Cal_Heater_C HP217191 HF_CH1_MXBIAS_V HP172191 HF_CH1_MX_MG_C HP173191 HF_CV1_MXBIAS_V HP187191 HF_CV1_MX_MG_C HP188191 HF_P_Chopper_Rot HP454191 HF_CH1_DPACT_C HP174191 HF_CV1_DPACT_C HP189191	17 <dec> 201 <dec> 1010 <dec> 885 <dec> 149 <dec> 1.1 mA 1.780 mV 15.0 mA 1.780 mV 15.0 mA -1.07 V A B	
		Subsch. ID : 70		
		Det. descr. : Configure the FCU-subsystem (prime)		
	ET=+ UT=+00.00.03	HIFI_CH1_MX_MG_C HIFI_CH1_MX_MG_C Command Parameter(s) : HIFI_BB_ID HP001197 HF_CH1_MX_MG_C HP173191 Subsch. ID : 70 Det. descr. : Send single command to set H mixer magnet current	HC096289 C800001 <hex> 5.25 mA	
	ET=+ UT=+00.00.00	HIFI_CV1_MX_MG_C HIFI_CV1_MX_MG_C Command Parameter(s) : HIFI_BB_ID HP001197 HF_CV1_MX_MG_C HP188191 Subsch. ID : 70 Det. descr. : Send single command to set V mixer magnet current	HC099289 C800001 <hex> 5.3 mA	
	ET=+ UT=+00.00.01	HIFI_HL_Normal HIFI_HL_Normal Command Parameter(s) : HIFI_BB_ID HP001197 Subsch. ID : 70 Det. descr. : Send single command to switch LCU to normal mode	HC082289 E2F0001 <hex>	
	ET=+ UT=+00.00.00	HIFI_Conf_nom_LCU_ch0 HIFI_Conf_nom_LCU_ch0 Command Parameter(s) : HIFI_BB_ID HP001197 Subsch. ID : 70 Det. descr. : Create macro-command to switch off the bands	HC049289 E2F0001 <hex>	

LO functional test  
 File: H\_COP\_HIF\_NFL7.xls  
 Author: R. Biggins



Step No.	Time	Activity/Remarks	TC/TLM	Display/ Branch
	ET=+ UT=+00.00.10	HIFI_HL_heater  HIFI_HL_heater  Command Parameter(s) : HIFI_BB_ID                  HP001197 HL_heater                  HP397194  Subsch. ID : 70 Det. descr. : Send single command to control the LCU heater	HC086289  E2F0001 <hex> 6.0 V	
		Verify Telemetry  HL_Channel_S                  HM003194	= OFF	AND=ZAZ9C999
		Verify Telemetry  HL_MODE_S                  HM258194	= normal	AND=ZAZ9C999
5		Measure LCU IV curve		Next Step: 6
	ET=+ UT=+00.00.00	HIFI_measure_LCU_IV  HIFI_measure_LCU_IV  Command Parameter(s) : HIFI_BB_ID                  HP001197 HIF_LCU_diode                  HP072197 HIF_LCU_IV_delay                  HP073197  TC Control Flags :  GBM IL DSE --Y -- ---  Subsch. ID : 70 Det. descr. : Perform IV-measurement on an LOU-diode	HC108289  E4F0001 <hex> M1_4a 90 <dec>	
	ET=+ UT=+00.01.32	HIFI_measure_LCU_IV  HIFI_measure_LCU_IV  Command Parameter(s) : HIFI_BB_ID                  HP001197 HIF_LCU_diode                  HP072197 HIF_LCU_IV_delay                  HP073197  Subsch. ID : 70 Det. descr. : Perform IV-measurement on an LOU-diode	HC108289  E4F0002 <hex> M2_4a 90 <dec>	
6		Switch on LO band		Next Step: 7
	ET=+ UT=+00.01.32	HIFI_HL_Normal  HIFI_HL_Normal  Command Parameter(s) : HIFI_BB_ID                  HP001197  Subsch. ID : 70 Det. descr. : Send single command to switch LCU to normal mode	HC082289  E2A0001 <hex>	

LO functional test  
 File: H\_COP\_HIF\_NFL7.xls  
 Author: R. Biggins



Step No.	Time	Activity/Remarks	TC/TLM	Display/ Branch
	ET=+ UT=+00.00.01	HIFI_Conf_safe_LCU_ch4a  <b>HIFI_Conf_safe_LCU_ch4a</b>  <i>Command Parameter(s) :</i> HIFI_BB_ID                  HP001197 HL_freq_nx                  HP436194 HL_LSU_main                  HP438194 HL_LSU_offset                HP439194 HL_D2_step                  HP437194 HL_Drain2_4A_V              HP345194 HL_Curlim2                  HP291194 HL_macro_checksum            HP440194  <i>Subsch. ID : 70</i> Det. descr. : Create macro-command to configure LCU band 4a to safe setting	HC056289	
	ET=+ UT=+00.00.20	HIFI_LCU_macro_tuning_hk  <b>HIFI_LCU_macro_tuning_hk</b>  <i>Command Parameter(s) :</i> HIF_LCU_memmacro            HP068197  <i>Subsch. ID : 70</i> Det. descr. : Requests one of the eight LCU intermediate housekeeping-sets	HC019289  HSK_TM1 (Def)	
	ET=+ UT=+00.00.02	HIFI_LCU_macro_tuning_hk  <b>HIFI_LCU_macro_tuning_hk</b>  <i>Command Parameter(s) :</i> HIF_LCU_memmacro            HP068197  <i>Subsch. ID : 70</i> Det. descr. : Requests one of the eight LCU intermediate housekeeping-sets	HC019289  HSK_TM2	
	ET=+ UT=+00.00.02	HIFI_LCU_macro_tuning_hk  <b>HIFI_LCU_macro_tuning_hk</b>  <i>Command Parameter(s) :</i> HIF_LCU_memmacro            HP068197  <i>Subsch. ID : 70</i> Det. descr. : Requests one of the eight LCU intermediate housekeeping-sets	HC019289  HSK_TM3	
	ET=+ UT=+00.00.02	HIFI_LCU_macro_tuning_hk  <b>HIFI_LCU_macro_tuning_hk</b>  <i>Command Parameter(s) :</i> HIF_LCU_memmacro            HP068197  <i>Subsch. ID : 70</i> Det. descr. : Requests one of the eight LCU intermediate housekeeping-sets	HC019289  HSK_TM	



LO functional test  
 File: H\_COP\_HIF\_NFL7.xls  
 Author: R. Biggins



Step No.	Time	Activity/Remarks	TC/TLM	Display/ Branch
	ET=+ UT=+00.00.02	HIFI_LCU_macro_tuning_hk <b>HIFI_LCU_macro_tuning_hk</b> Command Parameter(s) : HIF_LCU_memmacro                  HP068197 Subsch. ID : 70 Det. descr. : Requests one of the eight LCU intermediate housekeeping-sets	HC019289  HSK_G	
	ET=+ UT=+00.00.02	HIFI_LCU_Single <b>HIFI_LCU_Single</b> Command Parameter(s) : HIFI_BB_ID                  HP001197 LCU_cmd                  HP234194 Subsch. ID : 70 Det. descr. : Send a single command to LCU	HC101289  E210001 <hex> HL_CLR_ERR	
	ET=+ UT=+00.00.01	HIFI_HL_heater <b>HIFI_HL_heater</b> Command Parameter(s) : HIFI_BB_ID                  HP001197 HL_heater                  HP397194 Subsch. ID : 70 Det. descr. : Send single command to control the LCU heater	HC086289  9 10	
		Verify Telemetry HL_Channel_S                  HM003194	= 4a	AND=ZAZ9C999
		Verify Telemetry HL_MODE_S                  HM258194	= normal	AND=ZAZ9C999
7		LO Short Functional Test		Next Step: 8
		The following TCs should be sent automatically with the defined time separation.		
		Verify: Monitor the following parameter and ensure that any occurrences of a 'FAULT' condition are communicated immediately to the HIFI representative (use AND HA004289).  HM259194 HL_error_word_S		

LO functional test  
 File: H\_COP\_HIF\_NFL7.xls  
 Author: R. Biggins



Step No.	Time	Activity/Remarks	TC/TLM	Display/ Branch
	ET=+ UT=+00.00.00	HIFI_HL_Normal  HIFI_HL_Normal  Command Parameter(s) : HIFI_BB_ID                  HP001197  TC Control Flags :  GBM IL DSE --Y -- ---  Subsch. ID : 70 Det. descr. : Send single command to switch LCU to normal mode	HC082289  E2A0002 <hex>	
	ET=+ UT=+00.00.01	HIFI_Conf_safe_LCU_ch4a  HIFI_Conf_safe_LCU_ch4a  Command Parameter(s) : HIFI_BB_ID                  HP001197 HL_freq_nx                  HP436194 HL_LSU_main                  HP438194 HL_LSU_offset                  HP439194 HL_D2_step                  HP437194 HL_Drain2_4A_V                  HP345194 HL_Curlim2                  HP291194 HL_macro_checksum                  HP440194  Subsch. ID : 70 Det. descr. : Create macro-command to configure LCU band 4a to safe setting	HC056289  11 12 13 14 15 16 17 18	
	ET=+ UT=+00.00.20	HIFI_LCU_macro_tuning_hk  HIFI_LCU_macro_tuning_hk  Command Parameter(s) : HIF_LCU_memmacro                  HP068197  Subsch. ID : 70 Det. descr. : Requests one of the eight LCU intermediate housekeeping-sets	HC019289  HSK_TM1 (Def)	
	ET=+ UT=+00.00.02	HIFI_LCU_macro_tuning_hk  HIFI_LCU_macro_tuning_hk  Command Parameter(s) : HIF_LCU_memmacro                  HP068197  Subsch. ID : 70 Det. descr. : Requests one of the eight LCU intermediate housekeeping-sets	HC019289  HSK_TM2	
	ET=+ UT=+00.00.02	HIFI_LCU_macro_tuning_hk  HIFI_LCU_macro_tuning_hk  Command Parameter(s) : HIF_LCU_memmacro                  HP068197  Subsch. ID : 70 Det. descr. : Requests one of the eight LCU intermediate housekeeping-sets	HC019289  HSK_TM3	

LO functional test  
 File: H\_COP\_HIF\_NFL7.xls  
 Author: R. Biggins



Step No.	Time	Activity/Remarks	TC/TLM	Display/ Branch
	ET=+ UT=+00.00.02	HIFI_LCU_macro_tuning_hk HIFI_LCU_macro_tuning_hk Command Parameter(s) : HIF_LCU_memmacro                  HP068197 Subsch. ID : 70 Det. descr. : Requests one of the eight LCU intermediate housekeeping-sets	HC019289  HSK_TM	
	ET=+ UT=+00.00.02	HIFI_LCU_macro_tuning_hk HIFI_LCU_macro_tuning_hk Command Parameter(s) : HIF_LCU_memmacro                  HP068197 Subsch. ID : 70 Det. descr. : Requests one of the eight LCU intermediate housekeeping-sets	HC019289  HSK_G	
	ET=+ UT=+00.00.02	HIFI_LCU_Single HIFI_LCU_Single Command Parameter(s) : HIFI_BB_ID                  HP001197 LCU_cmd                  HP234194 Subsch. ID : 70 Det. descr. : Send a single command to LCU	HC101289  E210002 <hex> HL_CLR_ERR	
	ET=+ UT=+00.00.01	HIFI_HL_heater HIFI_HL_heater Command Parameter(s) : HIFI_BB_ID                  HP001197 HL_heater                  HP397194 Subsch. ID : 70 Det. descr. : Send single command to control the LCU heater	HC086289  19 20	
	ET=+ UT=+00.00.20	HIFI_HL_Normal HIFI_HL_Normal Command Parameter(s) : HIFI_BB_ID                  HP001197 Subsch. ID : 70 Det. descr. : Send single command to switch LCU to normal mode	HC082289  E2A0003 <hex>	

LO functional test  
 File: H\_COP\_HIF\_NFL7.xls  
 Author: R. Biggins



Step No.	Time	Activity/Remarks	TC/TLM	Display/ Branch
	ET=+ UT=+00.00.01	HIFI_Conf_safe_LCU_ch4a  <b>HIFI_Conf_safe_LCU_ch4a</b>  Command Parameter(s) : HIFI_BB_ID                   HP001197           21 HL_freq_nx                 HP436194           22 HL_LSU_main                HP438194           23 HL_LSU_offset             HP439194           24 HL_D2_step                 HP437194           25 HL_Drain2_4A_V            HP345194           26 HL_Curlim2                 HP291194           27 HL_macro_checksum         HP440194           28  Subsch. ID : 70 Det. descr. : Create macro-command to configure LCU band 4a to safe setting	HC056289	
	ET=+ UT=+00.00.06	HIFI_LCU_macro_tuning_hk  <b>HIFI_LCU_macro_tuning_hk</b>  Command Parameter(s) : HIF_LCU_memmacro           HP068197           HSK_TM1 (Def)  Subsch. ID : 70 Det. descr. : Requests one of the eight LCU intermediate housekeeping-sets	HC019289	
	ET=+ UT=+00.00.02	HIFI_LCU_macro_tuning_hk  <b>HIFI_LCU_macro_tuning_hk</b>  Command Parameter(s) : HIF_LCU_memmacro           HP068197           HSK_TM2  Subsch. ID : 70 Det. descr. : Requests one of the eight LCU intermediate housekeeping-sets	HC019289	
	ET=+ UT=+00.00.02	HIFI_LCU_macro_tuning_hk  <b>HIFI_LCU_macro_tuning_hk</b>  Command Parameter(s) : HIF_LCU_memmacro           HP068197           HSK_TM3  Subsch. ID : 70 Det. descr. : Requests one of the eight LCU intermediate housekeeping-sets	HC019289	
	ET=+ UT=+00.00.02	HIFI_LCU_macro_tuning_hk  <b>HIFI_LCU_macro_tuning_hk</b>  Command Parameter(s) : HIF_LCU_memmacro           HP068197           HSK_TM  Subsch. ID : 70 Det. descr. : Requests one of the eight LCU intermediate housekeeping-sets	HC019289	

LO functional test  
 File: H\_COP\_HIF\_NFL7.xls  
 Author: R. Biggins



Step No.	Time	Activity/Remarks	TC/TLM	Display/ Branch
	ET=+ UT=+00.00.02	HIFI_LCU_macro_tuning_hk HIFI_LCU_macro_tuning_hk Command Parameter(s) : HIF_LCU_memmacro                  HP068197 Subsch. ID : 70 Det. descr. : Requests one of the eight LCU intermediate housekeeping-sets	HC019289  HSK_G	
	ET=+ UT=+00.00.02	HIFI_LCU_Single HIFI_LCU_Single Command Parameter(s) : HIFI_BB_ID                  HP001197 LCU_cmd                  HP234194 Subsch. ID : 70 Det. descr. : Send a single command to LCU	HC101289  E210003 <hex> HL_CLR_ERR	
		Verify: Verify the content of the following ANDs with the HIFI representative:  HA004289 LCU_status2 HA013289 LCU_4a		
	ET=+ UT=+00.00.01	HIFI_Housekeeping_on HIFI_Housekeeping_on Command Parameter(s) : HIF_HK_rate                  HP012197 HIF_FCU_S                  HP006197 HIF_LCU_S                  HP007197 HIF_WBSV_S                  HP009197 HIF_WBSH_S                  HP008197 HIF_HRSV_S                  HP011197 HIF_HRSV_S                  HP010197 TC Control Flags : GBM IL DSE --Y -- -- Subsch. ID : 70 Det. descr. : Sets periodic housekeeping packet generation period	HC016289  1_pkt_per_4_s ON (Def) ON (Def) ON (Def) ON (Def) ON (Def) ON (Def)	
		Verify: The following TM(3,25) packets should be produced once every 4 seconds:  HIFI_essential_HK (APID 1024) HIFI_HK_rev_7 (APID 1026)		
8		Set default OBSID/BBID		Next Step: END

LO functional test  
 File: H\_COP\_HIF\_NFL7.xls  
 Author: R. Biggins



Step No.	Time	Activity/Remarks	TC/TLM	Display/ Branch
	ET=+ UT=+00.00.01	HIFI_Set_OBS_ID  HIFI_Set_OBS_ID  <i>Command Parameter(s) :</i> HIFI_BB_ID            HP001197 HIFI_OBS_ID           HP000197  <i>TC Control Flags :</i> GBM IL DSE --Y -- ---  <i>Subsch. ID : 70</i> Det. descr. : Set Observation-ID and Building-Block-ID	HC014289  0 <hex> (Def) 0 <hex> (Def)	
		Verify Telemetry  BB_ID_per_hk            HM004190	= 0 <hex>	AND=ZAZ9C999
		Verify Telemetry  OBS_ID_per_hk           HM003190	= 0 <hex>	AND=ZAZ9C999
<b>End of Procedure</b>				