

CDMS MOT, EAT, TCT or FCCT Thresholds Adjustment
 File: H_COP_DHS_0310.xls
 Author: cmevi-hp



Procedure Summary

Objectives

This procedure should be used during Commissioning Phase whenever a need arises for updating a MOT, EAT, TCT or FCCT entry.

Summary of Constraints

n/a

Spacecraft Configuration

Start of Procedure

Type Pre-condition Here

End of Procedure

Type Post-condition Here

Reference File(s)

Input Command Sequences

Output Command Sequences

Referenced Displays

ANDs GRDs SLDs

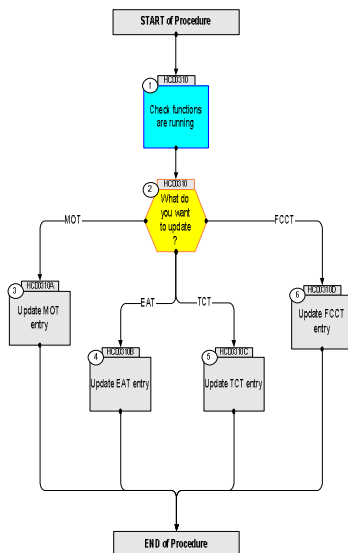
Configuration Control Information

DATE	FOP ISSUE	VERSION	MODIFICATION DESCRIPTION	AUTHOR	SPR REF
02/03/09		1	Created	cmevi-hp	
02/03/09	2.1	2	Procedure reference changed at step 3	cmevi-hp	

CDMS MOT, EAT, TCT or FCCT Thresholds Adjustment
File: H_COP_DHS_0310.xls
Author: cmevi-hp



Procedure Flowchart Overview



CDMS MOT, EAT, TCT or FCCT Thresholds Adjustment File: H_COP_DHS_0310.xls Author: cmevi-hp	
--	--

Step No.	Time	Activity/Remarks	TC/TLM	Display/ Branch	AIT Comment
Beginning of Procedure					
HCD0310 <i>TC Seq. Name :HCD0310 (Dummy sequence)</i> <i>TimeTag Type:</i> <i>Sub Schedule ID:</i> <input type="checkbox"/>					
1		Check functions are running		Next Step: 2	
2		What do you want to update ? type: [Switch]		Next Step: MOT 3 EAT 4 TCT 5 FCCT 6	
End of Sequence					
HCD0310A <i>TC Seq. Name :HCD0310A (Update MOT entry)</i> <i>TimeTag Type:</i> <i>Sub Schedule ID:</i> <input type="checkbox"/>					
3		Update MOT entry type: [Proc] H_FCP_DHS_3030 Monitoring table maintenance		Next Step: END	
End of Sequence					
HCD0310B <i>TC Seq. Name :HCD0310B (Update EAT entry)</i> <i>TimeTag Type:</i> <i>Sub Schedule ID:</i> <input type="checkbox"/>					
4		Update EAT entry type: [Proc] H_FCP_DHS_3049 Event-action table maintenance		Next Step: END	
End of Sequence					
HCD0310C <i>TC Seq. Name :HCD0310C (Update TCT entry)</i> <i>TimeTag Type:</i> <i>Sub Schedule ID:</i> <input type="checkbox"/>					
5		Update TCT entry type: [Proc] H_CRP_TCS_TCT Thermal Control Table maintenance		Next Step: END	
End of Sequence					

CDMS MOT, EAT, TCT or FCCT Thresholds Adjustment File: H_COP_DHS_0310.xls Author: cmevi-hp	 
--	--

Step No.	Time	Activity/Remarks	TC/TLM	Display/ Branch	AIT Comment
TC Seq. Name :HCD0310D (Update FCCT entry) HCD0310D TimeTag Type: Sub Schedule ID: □					
6		Update FCCT entry type: [Proc]		Next Step: END	
		H_CRP_DHS_FCCT FCCT parameter update			
End of Sequence					
End of Procedure					