

ACMS Switch ON STR2 (STR1_OP)
 File: H_COP_AOC_7158.xls
 Author: dsalt-hp



Procedure Summary

Objectives

The objective of this Herschel ACMS commissioning procedure is to switch OFF STR2 and disable/delete DTM used in support of the STR functional checks.

The procedure involves the following activities:

- command STR2 switch OFF
- disable/delete the necessary DTM packets (calls H_FCP_AOC_D3FD)

Summary of Constraints

To be executed in accordance with the Herschel commissioning plan and associated timeline

Spacecraft Configuration

Start of Procedure

S/C in SCM, STR2 (STRR) in AAD/ATFAD

End of Procedure

S/C in SCM, STR2 switched OFF

Reference File(s)

Input Command Sequences

Output Command Sequences

HCA7158A

Referenced Displays

ANDs	GRDs	SLDs
ZAA00999		
ZAABH999		

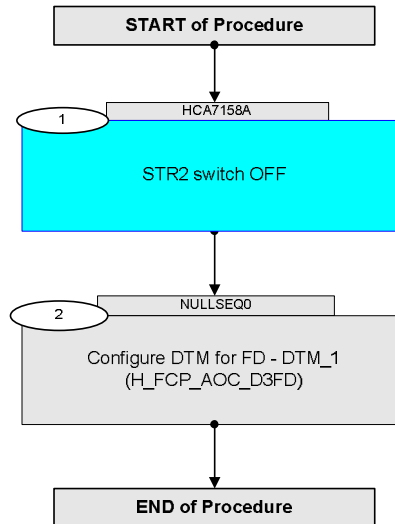
Configuration Control Information

DATE	FOP ISSUE	VERSION	MODIFICATION DESCRIPTION	AUTHOR	SPR REF
22/04/09	2.3	1	Created	dsalt-hp	

ACMS Switch ON STR2 (STR1_OP)
File: H_COP_AOC_7158.xls
Author: dsalt-hp



Procedure Flowchart Overview



ACMS Switch ON STR2 (STR1_OP)
 File: H_COP_AOC_7158.xls
 Author: dsalt-hp



Step No.	Time	Activity/Remarks	TC/TLM	Display/ Branch
Beginning of Procedure				
TC Seq. Name : HCA7158A (STR2off) TimeTag Type: N Sub Schedule ID: <input type="checkbox"/>				
1		STR2 switch OFF		Next Step: 2
		Execute Telecommand <p style="text-align: right;">STR-2 switch OFF</p> Command Parameter(s) : UnitSw DF86 Cmd AH8P1001 Enable 86 UnitSw DD86 Cmd AH8P2001 Enable 86 TC Control Flags : <p style="text-align: right;">GBM IL DSE --Y -- ---</p> Subsch. ID : 20 Det. descr. : TC(8,1) Switch ACMS unit on/off - STR-2 switch OFF	ACZ43109	
		Execute Telecommand <p style="text-align: right;">FireSwitchACMSunitONOFF</p> Command Parameter(s) : FireFun DF86Cmd AH8F1001 Enable 86 FireFun DD86Cmd AH8F2001 Enable 86 TC Control Flags : <p style="text-align: right;">GBM IL DSE --Y -- ---</p> Subsch. ID : 20 Det. descr. : TC(8,4) Fire Command - FireSwitchACMSunitONOFF	ACZ1M109	
		Verify Telemetry <p style="text-align: right;">STR2 power AE4P2002</p> <p style="text-align: right;">= OFF</p>		AND=ZAA00999
		Verify Telemetry <p style="text-align: right;">STR2 pwr conf AEXP2002</p> <p style="text-align: right;">= Switch OFF</p>		AND=ZAA00999
		Verify Telemetry <p style="text-align: right;">STR2 Mode AMXBD075</p> <p style="text-align: right;">= Not used</p>		AND=ZAABH999
TC Seq. Name : NULLSEQ0 () TimeTag Type: Sub Schedule ID: <input type="checkbox"/>				
2		Configure DTM for FD - DTM_1 (H_FCP_AOC_D3FD)		Next Step: END

ACMS Switch ON STR2 (STR1_OP)
 File: H_COP_AOC_7158.xls
 Author: dsalt-hp



Step No.	Time	Activity/Remarks	TC/TLM	Display/ Branch
		<p><i>Execute procedure H_FCP_AOC_D3FD (Configure DTM for FD) to define and enable selected DTM packets, as necessary</i></p> <p><i>Use DTM_1 (Step 3) to disable and delete diagnostic packet for STR1 & STR2 data (SPID=18018109)</i></p>		
		<p>Execute Procedure: H_FCP_AOC_D3FD Configure DTM for FD</p>		
End of Procedure				