

Connecting Ops MCS to SIM
 File: C_GSP_MCS_SIM.xls
 Author: F. Keck



Procedure Summary

Objectives

Connecting the MCS to the Simulator, while operations are running, without messing up the archive containing real S/C data.

Summary of Constraints

This procedure is only required if no unused MCS chain (e.g. MCS-C) is available.

Spacecraft Configuration

Start of Procedure

n/a

End of Procedure

n/a

Reference File(s)

Input Command Sequences

Output Command Sequences

Referenced Displays

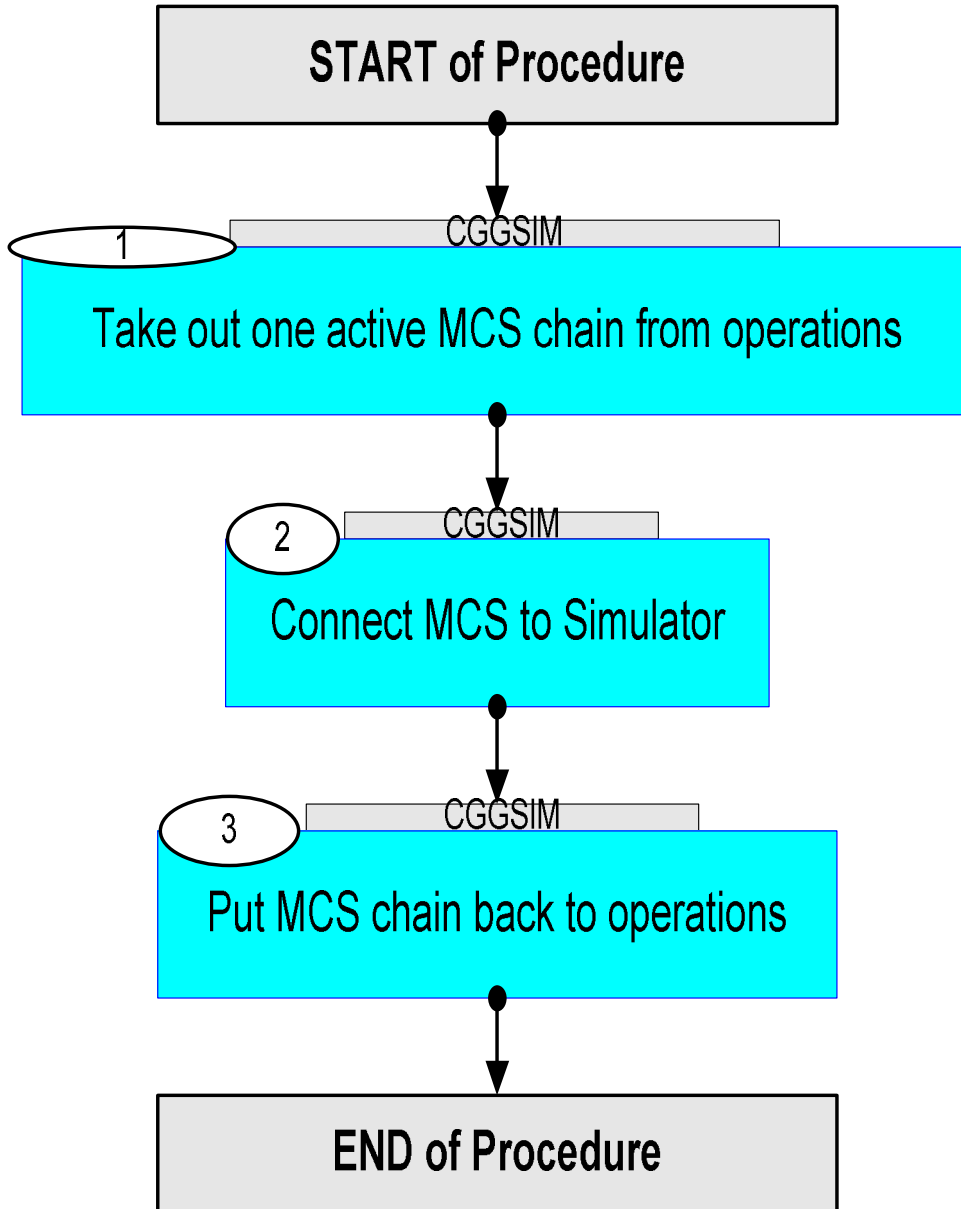
ANDs GRDs SLDs

Configuration Control Information

DATE	FOP ISSUE	VERSION	MODIFICATION DESCRIPTION	AUTHOR	SPR REF
15/04/09	2.3	1	Created	F. Keck	



Procedure Flowchart Overview



Connecting Ops MCS to SIM
 File: C_GSP_MCS_SIM.xls
 Author: F. Keck



Step No.	Time	Activity/Remarks	TC/TLM	Display/ Branch
Beginning of Procedure				
<p><i>TC Seq. Name : ()</i></p> <p><i>TimeTag Type:</i> <i>Sub Schedule ID:</i></p> <p style="text-align: center;">□</p>				
1		<i>Take out one active MCS chain from operations</i>		Next Step: 2
		Disconnect the NCTRS links from the real ground stations.		
		TM SPACON: - Disable filing (R/T and PB) - Disable processing of Time Packets - Switch TCO to TF Stamping		
2		<i>Connect MCS to Simulator</i>		Next Step: 3
		Connect the NCTRS links to the Simulator.		
		Perform the planned activities with the Simulator.		
3		<i>Put MCS chain back to operations</i>		Next Step: END
		Disconnect the NCTRS links from the Simulator.		
		TM SPACON: - Enable filing (R/T and PB) - Enable processing of Time Packets - Switch TCO to SP Stamping		
		Connect the NCTRS links back to the real ground stations.		
End of Procedure				