

LATMOS  
Venus Express  
SPICAV  
To Planetary Science Archive Interface  
Control Document

SA\_VEX\_ARCH\_003

Issue: 01

04 June 2014

---

Prepared by: A. REBERAC / G. LACOMBE

---

Approved by: .JL Bertaux

Change Log

Date	Sections Changed	Reasons for Change
14/02/2006		Update document from MEX SPICAM
25/05/2007	3.1.1.1 3.1.3	MTP01= 14 May instead of 15 MTPnnn....from Orbit023 on 14 May instead of April VOCP...13 May instead of 15
05/07/2007		Several updates: - New keywords - Example of Geometry header's file - New examples of Label files - Correction of multiple small errors
03/04/2008	2.3.2.2 2.3.2.3	Several updates due to the RID of The PEER REVIEW: - Update under processing to Available - Update under processing to Available

	3.4.3.9	- Label directory
06/10/2008	6.1 Annex.1	Update the Annex Section: - Annex.1 : Software - removed
30/11/2011		Update document from SA_VEX_ARCH_001_05 edited by by JP. DUBOIS /A. REBERAC/C. NEHME Several updates due to the new geometry file name and contents: 6.5 - Annex.5 : geometry file header example. 3.1.4 - Geometry file name 4.1.4.1 - INSTITUTION_NAME keyword 1.8 - Contact name
04/06/2014	1.7	Add acronyms
	2.3.2.2.b	Text creation
	2.3.2.2.c	Text creation

### Table Of Contents

- 1 Introduction
  - 1.1 Purpose and Scope
  - 1.2 Archiving Authorities
  - 1.3 Contents
  - 1.4 Intended Readership
  - 1.5 Applicable Documents
  - 1.6 Relationships to Other Interfaces
  - 1.7 Acronyms and Abbreviations
  - 1.8 Contact Names and Addresses
- 2 Overview of Instrument Design, Data Handling Process and Data Product
  - 2.1 Instrument Design
    - 2.1.1 UV detector unit
    - 2.1.2 IR channel unit
    - 2.1.3 SOIR channel unit
  - 2.2 Scientific Objectives
  - 2.3 Data Handling Process : SPICAV data processing, retrieval algorithms, and definitions of data levels
    - 2.3.1 SPICAV data processing, retrieval algorithms.
    - 2.3.2 Definitions of data levels
  - 2.4 Overview of Data Products
    - 2.4.1 Instrument Calibrations
    - 2.4.2 In-Flight Data Products
    - 2.4.3 Software
    - 2.4.4 Documentation
    - 2.4.5 Derived and other Data Products
    - 2.4.6 Ancillary Data Usage
- 3 Archive Format and Content

- 3.1 Format and Conventions
  - 3.1.1 Deliveries and Archive Volume Format
  - 3.1.2 Data Set Name and Data Set ID Formation
  - 3.1.3 Data Directory Naming Convention
  - 3.1.4 Filenaming Convention
- 3.2 Standards Used in Data Product Generation
  - 3.2.1 PDS Standards
  - 3.2.2 Time Standards
  - 3.2.3 Reference Systems
- 3.3 Data Validation
- 3.4 Content
  - 3.4.1 Volume Set
  - 3.4.2 Data Set
  - 3.4.3 Directories
- 4 Detailed Interface Specifications
  - 4.1 Data Product Design
    - 4.1.1 Data product design and example label of a 0AUV data product
    - 4.1.2 Data product design and example label of a 0BIR data product
    - 4.1.3 Data product design and example label of a 0BS0 data product
    - 4.1.4 Label keywords descriptions
- 5 Appendix: Example of Directory Listing of VEXSPI\_0AUV archive volume
- 6 Annexes.
  - 6.1 Annex 1 : Software
    - 6.1 Annex 1 : Example of an initial VOLDESC.CAT file of the VEXSPI\_0AUV archive volume
  - 6.2 Annex 2 : Example of RELEASE.CAT for the initial release (RELEASE\_ID=0001, REVISION\_ID=0000)
  - 6.3 Annex 3 : RELEASE.CAT example for RELEASE\_ID=0001, REVISION\_ID= 0001
  - 6.4 Annex 4: Geometry file header example.
  - 6.5 Annex 5: Example of level 0A UV data product
  - 6.6 Annex 6: Example of level 0B IR data product
  - 6.7 Annex 7: Example of PDS label file describing the content of the data index table within an archive volume
  - 6.8 Annex 8: Links

## 1 Introduction

---

### 1.1 Purpose and Scope

The purpose of this EAICD (Experimenter to (Science) Archive Interface Control Document) is:

- First it provides users of the SPICAV instrument with detailed description of the product and a description of how it was generated, including data sources and destinations
- Secondly, it is the official interface between the SPICAV instrument team and the archiving authority.

### 1.2 Archiving Authorities

The Planetary Data System Standard is used as archiving standard by

- NASA for U.S. planetary missions, implemented by PDS
- ESA for European planetary missions, implemented by the Research and Scientific Support Department (RSSD) of ESA

ESA implements an online science archive, the ESA's Planetary Science Archive (PSA),

- to support and ease data ingestion
- to offer additional services to the scientific user community and science operations teams as e.g.
  - \* search queries that allow searches across instruments, missions and scientific disciplines
  - \* several data delivery options as
    - direct download of data products, linked files and data sets
    - ftp download of data products, linked files and data sets

The PSA aims for online ingestion of logical archive volumes and will offer the creation of physical archive volumes on request.

### 1.3 Contents

This document describes the data flow of the SPICAV instrument on VENUS EXPRESS from the s/c until the insertion into the PSA for ESA. It includes informations on how data were processed, formatted, labeled and uniquely identified. The document discusses general naming schemes for data volumes, data sets, data and label files. Standards used to generate the product are explained. Software that may be used to access the product is explained further on.

The design of the data set structure and the data product is given. Examples of these are given in the appendix.

### 1.4 Intended Readership

Any potential user of the SPICAV data, and the staff of the archiving authority (Planetary Science Archive, ESA, RSSD, design team).TBD

### 1.5 Applicable Documents

- [1] Planetary Data System Preparation Workbook, February 17, 1995, Version 3., JPL, D-7669, Part1.
- [2] Planetary Data System Standards Reference, August 1, 2003, Version 3.6, JPL, D7669, Part2.
- [3]
- [4] Planetary Science Archive. Experiment Data Release Concept. Technical proposal. SOP-RSSD-TN015.
- [5] VEX Archive Conventions VEX-EST-TN-036 Draft d 20 November 2006

## [6] SOIR EAICD

### 1.6 Relationships to Other Interfaces

Changes in the standard SPICAV data products would require changes to this document.

1. PVV Software: This software is provided by the PSA and used by the instrument teams to verify data set releases before delivery to PSA. Changes to this validation software could impact data set deliveries.
2. Data Release Concept: This PSA concept is used for SPICAM data releases and revisions, and any changes to the concept could directly impact data set generation, packaging, distribution, and documentation.
3. PSA Archive Delivery Requirements: Any delivery requirement changes could result in changes to data set packaging, distribution and documentation.
4. SPICE Data: These data are retrieved from the ESTEC or NAIF servers (mirrored sites) and are used to produce the GEOMETRY files for each data set release. Any change in these data could result in updates to the GEOMETRY files.

### 1.7 Acronyms and Abbreviations

DC	Dark Current
DDS	Data Disposition System
DPU	Dedicated Processor Unit
EAICD	Experimenter to (Science) Archive Interface Control Document
ESTEC	European Space Research and Technology Centre
IASB	Institut d'Aeronomie Spatiale de Belgique
IKI	Institute Kosmitcheski Isledovanie
IR	Infra Red
LATMOS	Laboratoire Atmosphere, Milieux, Observations Spatiales
MPS	Mission Planning System
N/A	Not Applicable
NAIF	Navigation Ancillary Information Facility
PDS	Planetary Data System
PSA	Planetary Science Archive
PVV	PSA Volume Verifier
SA	Service d'Aeronomie, CNRS
SPICAV	Spectroscopy for the Investigation of Characteristics of the Atmosphere of VENUS
SIR	Spicav Sensor IR
SU	Sensor Unit
SUV	Spicav Sensor UV
TC	Telecommand
TM	Telemetry
UV	Ultra Violet

## 1.8 Contact Names and Addresses

Data preparation and final products delivery into the PSA are provided by the SPICAV staff at LATMOS, IPSL/CNRS, FRANCE.

BERTAUX Jean-Loup SPICAV Principal Investigator	33 (0) 1 80 28 50 62	jean.loup.berthaux@latmosfr, LATMOS, IPSL/CNRS, FRANCE
REBERAC Aurelie	33 (0) 1 80 28 50 43	aurelie.reberac@latmos.ipsl.fr, LATMOS, IPSL/CNRS, FRANCE
LACOMBE Gaetan	33 (0) 1 80 28 51 52	gaetan.lacombe@latmos.ipsl.fr, LATMOS, IPSL/CNRS, FRANCE

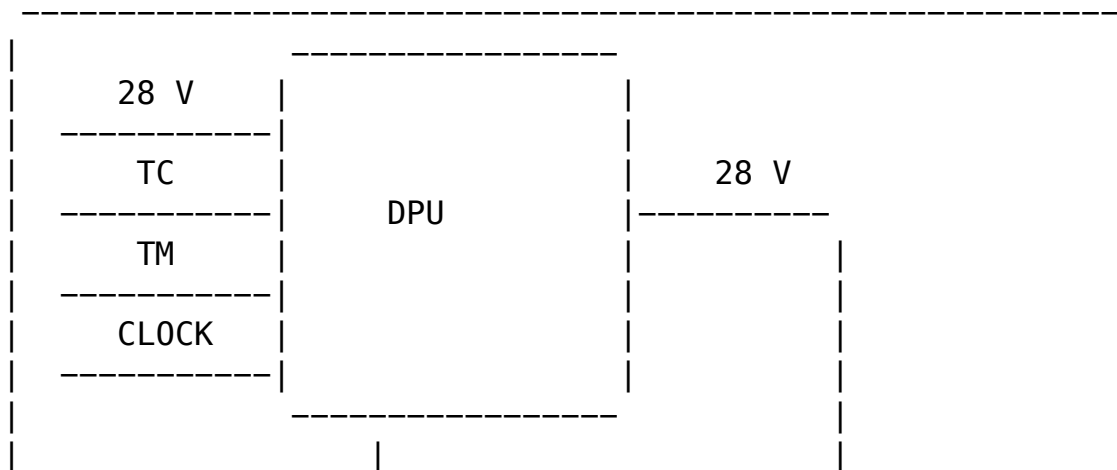
## 2 Overview of Instrument Design, Data Handling Process and Data Product

---

### 2.1 Instrument Design

SPICAV Light is collaboration between Service d'Aeronomie, Verrieres le Buisson, France, IASB, Brussels, Belgium, and IKI, Moscow, Russia.

The SPICAV Light instrument is made of 2 boxes as depicted in Figure 1. The first box called DPU (Data processing Unit) acts as the main electronic interface with the Spacecraft. The other is the sensor box or unit. This sensor unit (SU) has one channel in the ultraviolet wavelength range 118–320 nm (named SUV), one (named SIR) in the near infrared wavelength range 0.7–1.7  $\mu\text{m}$  and a third one (SOIR) in the Infrared wavelength range 2.2–4.4  $\mu\text{m}$ .



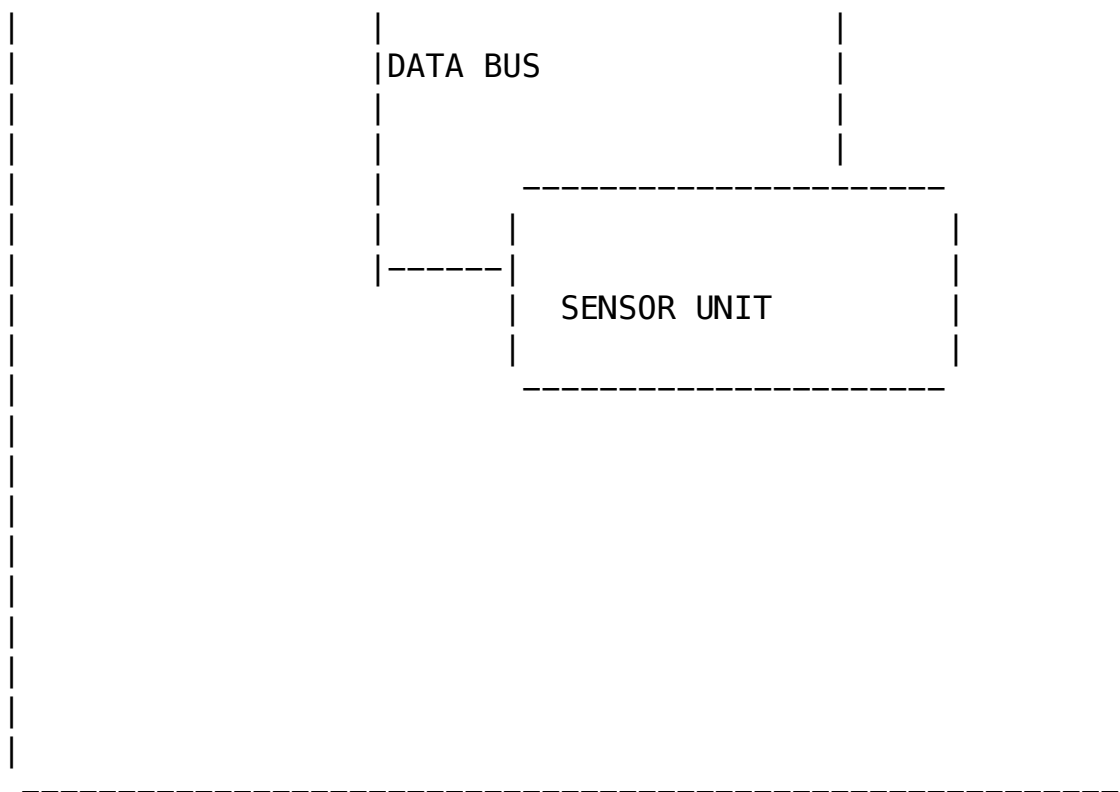


Figure 1 SPICAV instrument

#### Shutter Operations :

Due to geometry and specific attitudes during the mission, it is possible that the SUN is directed to the UV and IR Nadir apertures (SC +Z axis). It mainly happens during Earth communication phase at specific time during the mission.

Then, the UV and IR apertures have been equipped with a shutter. This one is operated directly by the S/C, and has no electrical interfaces with Spicav DPU or Spicav Sensor Unit. It is totally independant. The shutter is needed to be closed ONLY when the Sun direction is close to the S/C +Z axis.

See the INST.CAT catalog file in the CATALOG directory of each dataset for more details about all the technical details concerning the SPICAV instrument. The mechanical and electrical characteristics are listed. The optical interfaces with spacecraft and the fields of view are explicated. The Table 1 gives a summary of the main characteristics of the instrument.

Spectral bands	118 - 320 nm (UV)
	0.7 - 1.7 $\mu\text{m}$ (IR)
	2.2 - 4.4 $\mu\text{m}$ (SOIR)
Spectral sampling	UV: 0.55 nm/pix
	IR: 0.8 nm/pix at 1.5 $\mu\text{m}$
	SOIR: 0.11 $\text{cm}^{-1}$ at 2.325 $\mu\text{m}$
	0.08 $\text{cm}^{-1}$ at 3.170 $\mu\text{m}$
	0.06 $\text{cm}^{-1}$ at 4.25 $\mu\text{m}$
Mass	DPU+harness 0.865 kg
	SU 13.05 kg
	Total 13.915 kg

	Sunshields	0.47 kg
Power	DPU+SU	17.6 W, 26.4 W, 51.4 W
Volume	DPU:	161 x 142 x 70 mm <sup>3</sup>
	SU:	504 x 400 x 350 mm <sup>3</sup>
Data rate		9, 34, 66 kbit/s (1)
Data Volume		Typ. 100 Mbits / day TBC
Observations		One On-Board Time TC, One Spicav TC
		Duration: 5 to 30 mn typ.
Pointing (orientation)		Inertial Star (2)
		Inertial Sun (2)
		Nadir

(1) averaged over several seconds

(2) if atmospheric effects ( refraction ) assumed negligible.

Table 1 Summary of SPICAV light main characteristics

### 2.1.1 UV detector unit

The UV detector is made of 3 parts: a CCD (Thomson 7863) camera, an intensifier (Hamamatsu) coupled to the CCD by fiber optics, and a programmable high voltage (Hamamatsu) for the intensifier. The CCD is made of 288 photon sensitive rows and each row is made of 408 pixels. The rows direction is the spectral dimension.

When observing an extended source (dayside nadir viewing, or limb measurements, dayside star occultation), a slit is mechanically put into place at the focus of the parabolic mirror, which isolates a corresponding field of view. The shape of the slit, perpendicular to the dispersion plane, is composed of two parts: a wide slit (about 500  $\mu\text{m}$  wide) and a narrow slit (50  $\mu\text{m}$  wide). The image of the narrow slit covers CCD lines approximatively from 0 to 200, and is used for maximum spectral resolution (1 pixel covers 0.54 nm), while the wide slit is achieving a higher photometric sensitivity, at the expense of a reduced spectral resolution (factor of 10).

For each measurement, the UV detector records a window of 5 bands of the CCD (telemetry rate constraint) allowing to have at the same time, in Star mode, the Star spectrum surrounded by the background spectra. The bands can be elementary pixels (each band is made of one physical CCD row) or binned pixels (each band is made of binned rows (2,4,8,16 or 32 rows)). Moreover the binning can be different for each band (progressive binning). The position of the first row read is programmable.

Considering this, various operating modes can be used (Figure 2). A first mode, named alignment mode, allows a complete image of the CCD. At each measurement the position of the 5 bands read is changed.

Two other modes consist in reading the same five bands of the CCD during an observation. In the binning mode, each band is a sum of an identical number of rows, while in the third mode the binning



is progressive.

For each of these three modes, the slit can be ON or OFF.

Figure 2: UV detector operating modes (See UV\_OPERATION\_MODES.PNG in DOCUMENT directory for UV )

### 2.1.2 IR channel unit

The SPICAV infrared channel is made of an entrance lens, a scanning acousto-optical tuneable filter (AOTF), two (Hamamatsu) double pixels detectors (two polarisations, two wavelength ranges ) with their own Peltier cooler, and an electronic board. When the AOTF is powered (at a certain frequency), it selects a wavelength which goes up to the detectors. A full spectrum is then obtained by scanning the frequencies. The measurement is obtained by the difference between the AOTF on and off.

Spectra acquisition can be done on one, two or three frequency windows defined via the telecommand by a start frequency, a number of points and a frequency step. Along with spectrum measurement in three frequency windows a set of spectrum dots can be obtained during measurement cycle. Each dot represents a few adjacent spectrum points and can be viewed as a small window with predefined starting frequency, points number and frequency step.

### 2.1.3 SOIR channel unit

The SOIR Channel is made of an entrance optics ('periscope') which leads the Sunlight to the AOTF entrance optic (in plane X, Y). When the AOTF is powered (at a certain frequency), it selects a bandwidth to be analysed by the spectrometer including a parabolic mirror and an echelle grating (selection of right order). Associating AOTF and echelle grating (4 grooves/mm) permits to have a high resolution spectrometer. Spectra is collected, via optic lenses, by an IR detector. It is a Sofradir detector coupled with a cooler.

## 2.2 Scientific Objectives

The suite of measurements of SPICAV Light in the various available observation modes is addressing key questions of the atmosphere of VENUS, including its present state, the global circulation pattern climate today, and the atmospheric evolution of the planet.

The experiment is looking through the atmosphere of Venus either at :

A star : vertical profiles by stellar occultation technique (CO<sub>2</sub>, Temperature, ...).

The Nadir: integrated profiles ( SO<sub>2</sub>, UV absorber, aerosols).

The Limb : vertical profiles of high atmosphere emissions

(H, C, O, CO<sub>2</sub>, CO, aerosols).

The Sun : vertical profiles by solar occultation technique (H<sub>2</sub>O, aerosols, SO<sub>2</sub>, O<sub>2</sub> ).

The Sensor SOIR is only used in the Sun looking mode, to measure CO<sub>2</sub>, aerosols, HCl, HDO, H<sub>2</sub>O, HF and possible new constituents..

Chemistry: Simultaneous measurements of SO<sub>2</sub> and H<sub>2</sub>O will allow validating and/or modifying chemistry models of the atmosphere at cloud top level (~ 65 km).

Structure/Dynamics/Meteorology: Vertical profiles of density / temperature (80-160 km) will provide unique information about the global structure and dynamics of the atmosphere, in particular in the altitude region crucial for aerocapture and aerobraking, and a better understanding of general circulation meteorological systems (Super-rotation and Solar Anti-Solar (SSAS) system).

Clouds/dust/aerosols: Occultation measurements will allow the detection, measurement and characterization of the physical nature of aerosols, dust particles, and their vertical distribution.

Ionosphere/escape rate: Vertical profiling of daylight aeronomic emissions (H, C, O, CO, CO<sub>2</sub>) will allow to adjust a comprehensive model of the ionosphere, from which an estimate of escape processes may be derived (evolution of the atmosphere), and to study the interaction with the solar wind.

In order to fulfill the previous scientific objectives, there are four configurations summarized below:

Sensor	Mode	Expected results
UV ( +IR )	Stellar occultation	Concentration vertical profile
UV+IR+SOIR	Solar occultation	Concentration vertical profile
UV+IR	Nadir	Total column abundance
UV+IR	Limb emissions	Vertical profiling of aeronomic emissions

Table 2 Summary of sensor configurations

UV,IR targets:

Species	Measurements	Accuracy	Altitude range
Scientific objective	Mode (occultation, nadir, limb)	Spectral range	

Aerosols	Vertical profile of characteristics	Solar / stellar occultation	UV	10 <sup>-2</sup> (optical thickness)	80 - 160 km
O <sub>2</sub>	Concentration vertical profile	Stellar occultation	200 nm	20 %	80 - 100 km (never done (before))
H, C, O, CO <sub>2</sub> + CO	Vertical profiling of aeronomic emissions	Limb emission	118 - 310 nm	20 %	80 - 400 km
SO <sub>2</sub>	Total abundance	Nadir	200 - 300 nm		> 65 km
H <sub>2</sub> O	Total abundance	Nadir	1.38 μm	0.2.ppmv	> 60 km
Aerosols	Mapping of properties	Spectro polarimetry in nadir	0.7 to 1.7 μm	10 <sup>-3</sup> (photometric)	Exploratory
UV absorber	Mapping	Nadir	200 - 310 nm	10 <sup>-3</sup> (photometric)	>65 km

Table 3. Observation modes, spectral range, altitude range for the key atmospheric constituents measurable by SPICAV, UV+IR sensors.

The previous table summarizes for the key atmospheric constituents measurable by SPICAV, the observation mode (occultation, nadir, and limb) according to the scientific objective, and the accuracy achieved after processing, in the altitude range given.

#### SOIR targets :

Species	Spectral range (nm )	Altitude, precision/threshold
CO <sub>2</sub>	2.7 , 4.3	60-200 km
CO <sub>2</sub> isotopes		
H <sub>2</sub> O	2.56	60-105 km
HD <sub>0</sub>	2.56, 3.7	60-90 km
H <sub>2</sub> 18 <sub>0</sub>	2.56	Similar to HD <sub>0</sub>
CO	2.35	60-150 km, 600 ppb

OCS	3.44	130
H2S	2.63, 3.7	150
HCl	3.6	30
HF	2	1
SO2	4.0	60-70 km, 1.7 ppb
C2H6	3.4	50 ppb

Table 4 Spectral range and altitude for atmospheric key constituents measurable by SOIR. All minor at ~ 60-100 km.

## 2.3 Data Handling Process : SPICAV data processing, retrieval algorithms, and definitions of data levels

### 2.3.1 SPICAV data processing, retrieval algorithms.

The SPICAV data collected between each switch ON and switch OFF of SPICAV will be transferred to ESOC and stored at ESOC on the Data Disposition System (DDS) in Darmstadt (Germany). It will be then transferred via ftp from the DDS to Service d'Aeronomie.

All new data files and the processed data up to level 2 (TBD) concerning UV and IR channels will be collected at Service d'Aeronomie.

Retrieval algorithms and softwares which will be used throughout the processing steps from level to level are under development and should be written in IDL.

SOIR data will be transferred to IASB and all new data files concerning SOIR channel will be collected at IASB. SOIR data archiving will be processed by IASB team

Retrieval algorithms and softwares which will be used throughout the processing steps from level to level are under development and should be written in IDL.

### 2.3.2 Definitions of data levels

#### 2.3.2.1 Level 0 data

This is the SPICAV data collected by ESOC and stored on the DDS. One ESOC file contains both UV, IR and SOIR data. SA does NOT intend to archive this Level 0 data, since it is the role of ESOC to do it.

Starting from level 0 data, ESA packets are splitted per observation, disassembled and reformatted to build level 0A UV data files and level 0B IR data files. Level 0A/B assembles one single file per SPICAV observation and per sensor (UV, IR, SOIR). In the following, the different SPICAV data levels will be described by sensor, the data processing being different for UV,

IR and SOIR data, and also different for the mode of observation (star, sun, nadir, limb).

### 2.3.2.2 UV data

The following table summarizes the different UV data products which should be available in the SPICAV archive.

Level Mode	0A*	1A	1B	2
Star	Available	Available	TBD	TBD
Sun	Available	Available	TBD	TBD
Nadir	Available	Available	TBD	TBD
Limb	Available	Available	TBD	TBD

Table 5 UV data products available in the archive.

\* : data files + associated browse and geometry files

The different SPICAV UV data products available are described in the following sections. The other data products will be described as soon as they will be available.

#### 2.3.2.2.a Level 0A UV data

The processing from level 0 to level 0A includes the following features:

- the data are not modified : starting from level 0 data, ESA packets are disassembled and reformatted to build level 0A data files. UV Source data are extracted from ESA packets specific to UV
- a header is added to each record to comply to our requirement. A description of the header is given in the SPICAV\_UVDATAFILE\_DESC.TXT file in the DOCUMENT directory.
- a UTC time (DDS time) is added in the header. The time of observation is defined in the SPICAV\_UVCALIB\_DESC.TXT file in the DOCUMENT directory.

A level 0A UV data file contains then all records of a UV SPICAV observation, each record consisting of the SPICAV header followed by the data table ( Source data ), in binary format. Data are in ADU units (Analog to Digital Units). A description of the UV data

files is given in the SPICAV\_UVDATAFILE\_DESC.TXT file in the DOCUMENT directory. In summary, each UV data table consists of 5 bands selected on the CCD. Each band can be one physical row of the CCD or several physical rows by on chip binning processing (selectable by telecommand). Several operating modes are used for the observations on the Venus Express spacecraft. The different SPICAV UV operating modes are described in the SPICAV\_UVMODE\_DESC.TXT file in the DOCUMENT directory.

The SPICAV level 0A corresponds with the PDS CODMAC level 2 (edited data or Experimental Data Record (EDR)).

Associated to the level 0A UV data files, the SPICAV team will provide quicklook images (browse files) and geometry files. A description of the geometry files is given in the SPICAV\_GEOMETRY\_DESC.TXT file in the DOCUMENT directory, as well as in section 3.4.3.6.b of this document.

Geometry files: NA for the CRUISE.

#### 2.3.2.2.b Level 1A UV data

SPICAV 1A data files are built from the 0C level files. The 1A level provides data corrected from the dark charge and the electronic noise. It is also cleaned from erroneous data, cosmic rays damage and saturation. The 1A level files are under FITS (Flexible Image Transport System) format and conform to the requirements of the FITS standard.

The SPICAV level 1A data files corresponds with the PDS CODMAC level 2 RDR, and not level 3. Indeed, level 3 is for calibrated data and this level 1A is only cleaned data in ADU units.

SPICA 1A FITS files have 9 mandatory blocks that they all share (CleanData, Flag, ErrData, Fonctionnal\_Parameters, Geo\_record, Geo\_Spacecraft, Geo\_Band3, Geo\_Coordinates and Geo\_Transmatrix). Depending on the observation, there are either 4 extra binary table extensions called Geo\_Band1, 2, 4, and 5 (case of a 5 band or Window mode) or 1 extra binary table called Geo\_CCDLine (case of an Alignment mode). There is also an optional binary table extension called Geo\_LOSE for star occultation mode.

#### 2.3.2.2.c Level 1B UV data

The SPICAV level 1B corresponds with the PDS CODMAC level 3. This is the evolution of the level 1A in FITS format: calibrated data in physical units. It includes correction of the wavelength shift and cancellation of the parasite light. The PSF (Point Spread Function) is also calculated for each pixel.

This level is under processing.

#### 2.3.2.2.d Level 2 UV data

Level 2 data will consist in derived science data products (see table 3)  
 The SPICAV level 2 will correspond with the PDS CODMAC level 5  
 (derived data).  
 TBD.

### 2.3.2.3 IR data

The following table summarizes the different IR data products which should be available in the SPICAV archive.

	0A	0B*	1A	1B	2
Level					
Mode					
Star	-	Available	TBD	TBD	TBD
Sun	-	Available	TBD	TBD	TBD
Nadir	-	Available	TBD	TBD	TBD
Limb	-	Available	TBD	TBD	TBD

Table 6 IR data products available in the archive.

- : not archived

\* : data files + associated browse and geometry files

The different SPICAV IR data products are described in the following sections.

#### 2.3.2.3.a Level 0A IR data

The processing of IR data from level 0 to level 0A is similar to the processing of UV data:

- the data are not modified : starting from level 0 data, ESA packets ( dedicated to IR ) are disassembled and reformatted to build level 0A data files.
- a header is added to each record.
- a UTC time (DDS time) is added in the header.

An infrared measurement requires several communication sessions to collect and transmit measurement data ( onea spectrum ) from the two IR detectors. Therefore, in level 0A IR data file, a record corresponds to one communication session (one part of a spectrum) from the two detectors. Moreover, spectrum measurement can be done on three frequency windows, characterized by 3 parameters:

FREQUENCY, POINTS and STEP. Along with spectrum measurements in three frequency windows, a set of spectrum dots can be obtained during measurement cycle. Each dot represents a few adjacent spectrum points and can be viewed as a small window with predefined starting frequency, points number and frequency step. Height various sets of spectrum dots are predefined, with the possibility of 'no dots' measurement configuration.

To facilitate the use of infrared raw data, the SPICAV team will provide level 0B IR data files in which spectra will be reconstructed for each detector. Level 0A IR data files will not be archived with the PSA, but only at Service d'Aeronomie.

#### 2.3.2.3.b Level 0B IR data

A level 0B IR data file contains all reconstructed spectra of an IR SPICAV observation collected by the two detectors of the infrared channel. All other relevant information (parameters of the command, frequency array, system monitor's values.) are also included in the file.

A description of the IR data files is given in the SPICAV\_IRDATAFILE\_DESC.TXT file in the DOCUMENT directory.

The SPICAV IR level 0B corresponds with the PDS CODMAC level 2 (edited data or Experimental Data Record (EDR)).

Associated to the level 0B IR data files, the SPICAV team will provide quicklook images (browse files) and geometry files. A description of the geometry files is given in the SPICAV\_GEOMETRY\_DESC.TXT file in the DOCUMENT directory  
Geometry files: NA for the CRUISE.

#### 2.3.2.3.c Level 1A IR data

The SPICAV level 1A should correspond with the PDS CODMAC level 2. This level provides only data corrected from the dark charge. It is a cleaned data in ADU units.

#### 2.3.2.3.d Level 1B IR data

The SPICAV level 1B should correspond with the PDS CODMAC level 3 (calibrated data).

#### 2.3.2.3.e Level 2 IR data

The SPICAV level 2 will correspond with the PDS CODMAC level 5 (derived data).

#### 2.3.2.4 SOIR data

See dedicated SOIR EAICD written by IASB team.



## 2.4 Overview of Data Products

### 2.4.1 In-Flight Data Products

During the active mission UV, IR and SOIR data from the CRUISE, VOCP and VENUS NOMINAL phases will be collected. A data set will be defined for each sensor (UV, IR and SOIR) and for each data product level.

### 2.4.2 Instrument Calibrations

All information about calibration is related to flight model. Information needed to calibrate the UV and IR data will be given in the SPICAV\_UVCALIB\_DESC.TXT and SPICAV\_IRCALIB\_DESC.TXT files respectively, in the DOCUMENT directory. These documents explain how the in-flight calibration is done for the various mode of observation for the UV and IR sensors.

### 2.4.3 Software

The ESA packets (level 0) are processed at Service d'Aeronomie by the SPICAV team for technological verification and SPICAV level 0A/0B data files and associated geometry files are produced:

- ESA packets are splitted, disassembled by sensor (UV, IR, SOIR) and by observations (ON/OFF)
- Geometric parameters are generated with a SPICAV software using SPICE routines and SPICE kernels.

The SPICAV team will provide a software package to read the SPICAV UV data files. Please read section 3.4.3.7 for more information.

See example in Annex 1.

### 2.4.4 Documentation

This document (EAICD) will be provided in the DOCUMENT directory of each archive volume (UV and IR) in PDF and ASCII (.ASC) formats.

The SPICAV Flight User Manual (FUM) and other SPICAV technical document or scientific papers published which could be helpful to use data will be provided in the DOCUMENT directory of each archive volume (UV and IR).

The following SPICAV documents will be present in the DOCUMENT directory of the VEXSPI\_1001 (UV) archive volume :

- SPICAV\_UVDATAFILE\_DESC.TXT:

This document describes the contents of the UV data files which are delivered in the VEXSPI\_1001 archive volume.

- SPICAV\_GEOMETRY\_DESC.TXT:

This document describes the contents of the geometry files which are delivered in the the VEXSPI\_1001 archive volume.

- SPICAV\_UVMODE\_DESC.TXT:

This document describes the different operating mode of the SPICAV UV spectrometer.

The following SPICAV documents will be present in the DOCUMENT directory of the VEXSPI\_1002 archive volume :

- SPICAV\_IRDATAFILE\_DESC.TXT:

This document describes the contents of the IR data files which are delivered in the VEXSPI\_1002 archive volume.

- SPICAV\_GEOMETRY\_DESC.TXT:

This document describes the contents of the geometry files which are delivered in the the VEXSPI\_1002 archive volume.

The following ESA documents will be also present in the DOCUMENT directory of each archive volume:

- DATA\_QUALITY\_ID\_DESC.TXT : This file describes the data quality which is associated with a particular DATA\_QUALITY\_ID value
- OBSERVATION\_TYPE\_DESC.TXT: This description file gives the definition for the OBSERVATION\_TYPE keyword values.
- SPICAV\_POINTING\_001.TXT: This document describes the geometry computation. It gives some useful definitions for computations
- VEX\_ARCHIVE\_CONVENTIONS.PDF: This document defines the conventions that apply to the VEX Science Data Archive. The conventions are agreements and rules in addition to the PDS Standards (AD1, AD2).
- VEX\_MISSION\_CALENDAR.PDF: This document aims at providing information about the mission, its phases and some of the environmental conditions.
- VEX\_ORIENTATION\_DESC.TXT: This description file describes the convention used to describe the Venus Express spacecraft orientation, especially in nadir pointing mode.
- VEX\_POINTING\_MODE\_DESC.TXT: This document describes the values for the SPACECRAFT\_POINTING\_MODE keyword.
- VEX\_RSSD\_LI\_009.TAB: This is a Venus Express Mission phase's table. More information can be found in the Express Science Activity Plan, VEX-RSSD-PL-002 for the nominal mission and in VEX-RSSD-PO-005 for the extended mission.
- VEX\_SCIENCE\_CASE\_ID\_DESC.TXT: This file describes 10 typical Venus Express modes of observations (called science cases).

#### 2.4.5 Derived and other Data Products

SPICAV team do not intend, for now, to provide any other derived data or data products that result from co-operation with other instrument teams. However, SPICAV team is aware of the importance of this issue and how this can clearly

increase its scientific return. The team will reconsider this point in future deliveries.

#### 2.4.6 Ancillary Data Usage

SPICE files produced by VSOC/ESTEC in collaboration with NAIF/JPL from the VENUS Express orbit files generated by ESOC will be used in our data processing chain, in particular to generate geometry files. SPICE files are available from the following file servers:

At ESTEC FTP Server :

<ftp://gorilla.estec.esa.int/pub/projects/VenusExpress/data/spice/>

At NAIF FTP Server: <ftp://naif.jpl.nasa.gov/pub/naif/VEX>

Available SPICE files are:

1. SPK                spacecraft/planet/satellites/asteroids ephemeris  
                      data kernel files
2. EK                event kernel - no EK available for VENUS EXPRESS
3. CK                C-matrix instrument attitude kernel files
4. LSK              leap second kernel files
5. FK                frame kernel files
6. IK                instrument kernel files
7. PCK              planetary constant kernel files
8. SCLK             spacecraft clock kernel files

Orbit numbering files, which are derived data product from the VEX kernel data set, are also available at ESTEC or NAIF FTP Servers (in the ORBNUM directory).

SPICE subroutines are also available at

<ftp://naif.jpl.nasa.gov/pub/naif/toolkit/> to help the use of these kernels and tutorials and documentation can be retrieved from <http://naif.jpl.nasa.gov/naif/tutorials.html> and <http://naif.jpl.nasa.gov/naif/documentation.html>.

### 3 Archive Format and Content

-----

This section describes the format of SPICAV Archive Volumes. Data in the archive will be formatted in accordance with Planetary Data System specifications [2].

#### 3.1 Format and Conventions

##### 3.1.1 Deliveries and Archive Volume Format

###### 3.1.1.1 SPICAV Delivery Schedule

After a final check, the processed data will be delivered to the co-Is and after the priority phase to PSA at ESAC. The Service d'Aeronomie is the single point of contact for the PSA archive team and for data distribution (during priority phase).

Deliveries to the PSA will be made by the SPICAV archive team. Data should be delivered in the long term by mission phases

scheduled by MPS. Target date for delivery of SPICAV raw data (level 0A) to PSA is 4 months after the last data of a specific VENUS mission phase.

TBDUpper: Levels 1A and 1B data will be delivered at the same time or as soon as the data products are ready and validated by the SPICAV team. The level 2 scientific data set will be available to the public after the first major publication of this data set.

An approximate SPICAV. The original archive volume delivery schedule, based on the nominal science mission timeline and defined by archive team, is shown below.

Data Collection Period	Required Delivery to PSA 0A / 0B	Delivery to PSA 0AUV	Delivery to PSA 0BIR	Public Distribution
11/2005 Interference/Pointing 05-06/2006 Venus Commissioning	11/2006	End of Oct 2008	Nov 2008	UNK
June/July/August - 2006	12/2006	End of Oct 2008	Nov 2008	UNK
Sep/Oct/Nov - 2006	Mar2007	Mid Nov 2008	Nov 2008	UNK
Dec06/Jan/Feb-2007	Jun2007	Mid Nov 2008	Nov 2008	UNK
Mar/Apr/May-2007	Sep2007	End of Nov 2008	Nov 2008	UNK
Jun/Jul/Aug-2007	Dec2007	End of Nov 2008	Nov 2008	UNK
Sep/Oct/Nov-2007	Mar2008	Dec 2008	Dec 2008	UNK



---

### Figure 3 SPICAV volume set organization

Each SPICAV archive volume has the name of the VOLUME\_ID (section 3.1.1.3)  
In each archive volume, the following standard directories may be included:

CATALOG	PDS catalog files
INDEX	Indices to assist in locating data of interest
GEOMETRY	Files describing the observational geometry
BROWSE	Reduced resolution versions of data products ( for quick -- look )
DATA	Contains one or more subdirectories of data products. The DATA subdirectory is used to unclutter the root directory of a volume by providing a single entry point to multiple data subdirectories. This directory will contains data and detached label files.
DOCUMENT	Documentation, supplementary and ancillary information to assist in understanding and using the data products.
CALIB	Calibration files to process the data. More information needed to process the data will be delivered in the DOCUMENT directory.

Currently, no plans exist for including a SOFTWARE directory in UV, IR or SOIR dataset. This may be updated in the future.

In the ROOT directory of each archive volume, 2 files give an overview of the archive volume in ASCII format (AAREADME.TXT file) and a description of the volume in PDS format (VOLDESC.CAT file). Within the Planetary Science Archive (PSA) the archive volume represents an online delivery. Deliveries are based on the concept of a release and a revision of a well-defined period of time. This concept [4] allows the delivery of experiment data without the delivery of all supplementary information, that has already been delivered at the first initial delivery of a fully PDS compatible archive volume, containing the VOLDESC.CAT file and all necessary CATALOG, DOCUMENT, INDEX, DATA, . directories and their content. The usage of the release object is not fully compliant with the PDS standard 3.6, however the full data set itself is PDS compatible. This concept should be transparent to the end user.

### 3.1.1.3 VOLDESC.CAT file

For more details , see [5]

The VOLDESC.CAT file gives a description of the archive volume in a PDS format. Figure 8 gives See an example of an initial VOLDESC.CAT file of the VEXSPI\_1001 archive volume in annex 1.

```
PDS_VERSION_ID          = PDS3
LABEL_REVISION_NOTE     = "2007-01-09"

RECORD_TYPE             = FIXED_LENGTH
RECORD_BYTES            = 70
RELEASE_ID              = 0001
REVISION_ID             = 0000

OBJECT                  = VOLUME
  VOLUME_SERIES_NAME     = "MISSION TO VENUS"
  VOLUME_SET_NAME        = "VEX SPICAV UV DATA PRODUCTS"
  VOLUME_SET_ID          = FR_IPSLCNRS_SA_VEXSPI_1000
  VOLUME_NAME            = "Volume 1: VEX SPICAV LEVEL 0 UV
                           DATA"
  VOLUME_ID              = VEXSPI_1001
  VOLUME_VERSION_ID      = "VERSION 1"
  PUBLICATION_DATE       = 2007-01-09
  VOLUMES                 = 1
  MEDIUM_TYPE            = "ONLINE"
  VOLUME_FORMAT           = "ISO-9660"
  DATA_SET_ID           = "VEX-Y/V-SPI-2-UVEDR-RAWXCRU/VENUS-V1.0"

DESCRIPTION             = "This volume release contains Venus
                           Express SPICAV UV Raw Data Products
                           (level 0A), in ADU units, along
                           with documentation and other
                           ancillary information about the
                           data products."

OBJECT                  = DATA_PRODUCER
  INSTITUTION_NAME       = "SERVICE D'AERONOMIE, IPSL/CNRS,
                           FRANCE"
  FACILITY_NAME          = "N/A"
  FULL_NAME               = "JEAN-LOUP BERTAUX"
  DISCIPLINE_NAME        = "N/A"
  ADDRESS_TEXT           = "BP3
                           91371 Verrieres le Buisson Cedex
                           France"

END_OBJECT              = DATA_PRODUCER

OBJECT                  = CATALOG
  ^MISSION_CATALOG       = "MISSION.CAT"
  ^INSTRUMENT_HOST_CATALOG = "INSTHOST.CAT"
  ^INSTRUMENT_CATALOG    = "INST.CAT"
```

```

^DATA_SET_CATALOG      = "DATASET.CAT"
^PERSONNEL_CATALOG    = "PERS.CAT"
^DATA_SET_RELEASE_CATALOG = "RELEASE.CAT"
^REFERENCE_CATALOG    = "REFS.CAT"
^TARGET_CATALOG       = "TARGET.CAT"
^SOFTWARE_CATALOG     = "SWINV.CAT"
END_OBJECT             = CATALOG
END_OBJECT             = VOLUME

```

END

The VOLUME\_ID of a SPICAV archive volume is composed by combining the following fields, using abbreviations, and separated by underscores:

- The mission identifier (VEX), followed by the instrument identifier (SPI),
  - A 4-digit sequence identifier for the volumes corresponding to different data level and sensor :
- ```

                1001 UV
                1002 IR
                1003 SOIR

```

If a volume is redone because of errors in the initial production the volume ID should remain the same and the VOLUME\_VERSION\_ID incremented. This parameter is contained in the VOLDESC.CAT file on the volume.

#### 3.1.1.3.a VOLUME\_SET\_ID

Each SPICAV archive volume is also identified by a VOLUME\_SET\_ID composed by combining the following fields, using abbreviations, and separated by indents:

- The country of origin
- The government branch
- The discipline within the branch that is producing the archive, SA (Service d'Aeronomie)
- The VOLUME\_ID .

For example, the VOLUME\_SET\_ID of the data level 0A UV/0B SPICAV archive volume is :

```
FR-IPSLCNRSSA-VEXSPI_1000
```

#### 3.1.1.3.b RELEASE\_ID and REVISION\_ID

A data set release (or volume release) contains data from a well-



defined period of time and is identified by first a RELEASE\_ID keyword. The first release (RELEASE\_ID = 0001) is a fully validated, complete PSA dataset. A volume release is made of at least one revision : the initial revision. The initial revision contains the initial data of a data set release and is identified by a REVISION\_ID equal to 0000.

All labels within the first release will also contain the two keywords

```
RELEASE_ID = 0001
REVISION_ID = 0000
```

A following revision of the data set release (updated files, supplementary files, deleted files) would need the value of the REVISION\_ID incremented by one (eg. RELEASE\_ID = 0001, REVISION\_ID = 0001).

Labels of the updated files will have the two keywords

```
RELEASE_ID = 0001
REVISION_ID = 0001
```

Any further release covering a following period of time would need the value of the RELEASE\_ID incremented by one, with an initial revision (eg. RELEASE\_ID = 0002, REVISION\_ID = 0000).

The new data labels will contain the keywords

```
RELEASE_ID = 0002
REVISION_ID = 0000
```

The VOLDESC.CAT file shall contain the keywords RELEASE\_ID and REVISION\_ID set to the latest RELEASE\_ID and within this release to the latest REVISION\_ID.

#### 3.1.1.3.c CATALOG object

The VOLDESC.CAT file contains a CATALOG object with pointers to catalog files stored in the CATALOG directory. Files in the CATALOG directory provide a top-level understanding of the mission, spacecraft, instruments, and data sets.

One of these files, the RELEASE.CAT catalog file, contains a release object, which fully define the releases and revisions of deliveries.

#### 3.1.1.4 The release object

A release object needs to be included in each archive volume to fully describe each release and revision within this release. This object is not PDS-compliant.

An example of the RELEASE.CAT catalog file in the SPICAV UV

level 0A (VEXSPI\_1001) Archive Volume is given in Annex 2.

A release will concern a well-defined period of time, based on the nominal science mission timeline, as shown in the SPICAV archive volume delivery schedule (section 1.1.1.1). Each release will be described in this file by a DATA\_SET\_RELEASE object, containing all keyword-value pairs that are necessary to identify the release (DATA\_SET\_ID, RELEASE\_ID, DESCRIPTION, .). The DESCRIPTION part of the DATA\_SET\_RELEASE object will contain the full history of the release including all previous revisions. Each revision of a release is added in the release catalog object and all necessary information about this revision is given by a REVISION object.

A revision of this release might be added after improvement of the data. Annex 3 gives an example of a revision of an initial release.

### 3.1.1.5 Index files

The PDS standard defines index files as information that allows a user to locate data of interest. All index table files below the INDEX directory cover all data set releases and revisions. Therefore the index table files will contain at least two columns named RELEASE\_ID and REVISION\_ID.

The index label files describing the index table files shall contain the keywords RELEASE\_ID and REVISION\_ID, set to the latest RELEASE\_ID and within this release to the latest REVISION\_ID (same as the VOLDESC.CAT file).

### 3.1.2 Data Set Name and Data Set ID Formation

Each PDS data set must have a unique name (DATA\_SET\_NAME) and a unique identifier (DATA\_SET\_ID), both formed from up to seven components. The components are listed here:

|                              |                             |
|------------------------------|-----------------------------|
| Instrument host              | VEX (VENUS Express)         |
| Target                       | V (VENUS) or Y (Sky/CRUISE) |
| Instrument                   | SPI (SPICAV)                |
| Data processing level number | see below                   |
| Data set type (optional)     | see below                   |
| Description (optional)       | see below                   |
| Version number               | V1.0                        |

Within the DATA\_SET\_ID, acronyms are separated by hyphens. Multiple instrument hosts, instruments, or targets are referenced in a DATA\_SET\_NAME or DATA\_SET\_ID by concatenation of the values with a forward slash, "/", which is interpreted as "and."

Data processing level number

-----  
 Data processing level number is the National Research Council (NRC) Committee on Data Management and Computation (CODMAC) data processing level number :

| Level | Type             | Data Processing Level Description                                                                                                                                                                                                        |
|-------|------------------|------------------------------------------------------------------------------------------------------------------------------------------------------------------------------------------------------------------------------------------|
| 1     | Raw Data         | Telemetry data with data embedded                                                                                                                                                                                                        |
| 2     | Edited Data      | Corrected for telemetry errors and split or decommutated into a data set for a given instrument. Sometimes called Experimental Data Record (EDR).                                                                                        |
| 3     | Calibrated Data  | Edited data that are still in units produced by instrument, but that have been corrected so that values are expressed in or are proportional to some physical unit such as radiance. No resampling, so edited data can be reconstructed. |
| 4     | Resampled Data   | Data that have been resampled in the time or space domains in such a way that the original edited data cannot be reconstructed. Could be calibrated in addition to being resampled.                                                      |
| 5     | Derived Data     | Derived results, as maps, reports, graphics, etc.                                                                                                                                                                                        |
| 6     | Ancillary Data   | Nonscience data needed to generate calibrated or resampled data sets. Consists of instrument gains, offsets, pointing information for scan platforms, etc.                                                                               |
| 7     | Correlative Data | Other science data needed to interpret space-based data sets.                                                                                                                                                                            |
| 8     | User Description | Description of why the data were required, any peculiarities associated with the data sets, and enough documentation to allow secondary user to extract information from the data.                                                       |
| N     | N                | Not Applicable                                                                                                                                                                                                                           |

-----  
 SPICAV data set      Data processing level number

|           |   |
|-----------|---|
| 0A**/0B** | 2 |
| 1A**      | 2 |
| 1B**      | 3 |
| 2X**      | 5 |

-----  
Table 8 CODMAC level number and correspondance with SPICAV dataset( \*\* : UV, IR, S0).

Data set type

-----  
Data set type is the concatenation of the data type (UV, IR, SOIR) and of the PRODUCT\_TYPE keyword provided in each PDS data product labels.

| SPICAV data | PRODUCT_TYPE value | Data set type set |
|-------------|--------------------|-------------------|
| 0A**/0B**   | EDR                | **EDR             |
| 1A**        | TBD                | TBD               |
| 1B**        | TBD                | TBD               |
| 2X**        | TBD                | TBD               |

-----  
Table 9 Dataset type and correspondance with SPICAV dataset (\*\*: UV, IR or S0).

Description

-----  
The CODMAC level for some of the datasets is the same, and this means the end user has no way of knowing which dataset he is looking at from the data processing level number alone. Therefore, in order to help the end user, the STANDARD\_DATA\_PRODUCT\_ID keyword has been added to all of SPICAV data product labels and the value of this keyword is given in the Description component of the DATA\_SET\_ID. The value must be no more that 4 characters long.

Description should be always as follows: XXXXCRU/VENUS, where XXXX is the value of the STANDARD\_DATA\_PRODUCT\_ID keyword.

| SPICAV data level | STANDARD_DATA_PRODUCT_ID value |
|-------------------|--------------------------------|
| 0A                | RAWX                           |
| 1A                | CORX                           |
| 1B                | SPEC                           |
| 2                 | RDRX                           |

-----  
Table 10 Standard\_data\_product\_id value.

For a data set containing the first version of UV experimental data records collected from the SPICAV instrument on VENUS Express during the cruise and VENUS nominal phases, the data set name and identifier would be:

DATA\_SET\_NAME = "VEX SPICAV CRUISE/VENUS UV EDR-RAW V1.0"

DATA\_SET\_ID = "VEX-Y/V-SPI-2-UVEDR-RAWXCRU/VENUS-V1.0"

### 3.1.3 Data Directory Naming Convention

In the DATA directory, data are stored by mission phase (CRUISE, VENUS). The CRUISE phase corresponds to data collected before the VENUS Orbit Injection (VOI) phase, including the Near Earth Verification (NEV) and Interplanetary Cruise (IC) phases. This phase contains the corresponding data classified by Day Of Year (DOY), one directory per DOY. The VENUS phase starts with the VOCP( Venus Orbit Commissioning Phase), followed by Medium Term Planning (MTP) nominal phases, corresponding to the ones defined by the VENUS EXPRESS mission planning. The VENUS directory contains one subdirectory for the VOCP and one subdirectory per MTP. In the VOCP directory, data are stored by DOY, like the CRUISE phase (DOYxxxx subdirectories). In the different MTPs directories, covering a unique orbit range, data are stored by orbit (ORBITxxxx subdirectories). The filenaming convention of the different directories is the following:

XXXX\_nnnn\_pppp - data collected during a VENUS mission phase from orbit nnnn to pppp  
XXXX - the abbreviated name of the VENUS mission phase. XXXX can have the following values:

- VOCP-VENUS Orbit Commissioning Phase ( from insertion on 14 April 2006 to Orbit 022 on 13 May 2006 )
- MTPyyy - Medium Term Planning, yyy three digit for MTP number (001,002,003, ) from Orbit 023 on 14 April 2006

See example in paragraph 3.4.3.4

### 3.1.4 Filenaming Convention

Data and browse files

-----

Data products provided by the SPICAV team will have the following name:

SPIV\_YYT\_nnnnApp\_M\_vv.DAT

Where:

|      |                                                                        |
|------|------------------------------------------------------------------------|
| YY   | 2 letters describing the SPICAV data level (eg. 0A, 1A, 1B, ...)       |
| T    | 1 letter describing the type of data collected (U for UV and R for IR) |
| nnnn | 4 digits for the orbit number                                          |
| App  | sequence number indicating the order that data were collected          |

for the nnnn orbit (A01, A02,...).

M 1 1 letter describing the type of observation  
vv version number of the file

NOTE:

For the CRUISE and VOCP phases:

- The orbit number is not applicable. The 4 digits will contain the day of the year (doy of 2005/2006) of the observation, preceded by the letter C (for the IC phase) or by the letter P (for the VOCP phase).
- M is the: Type of Observation . It may represent:
  - E: Star ( occultation )
  - S: Sun ( occultation )
  - L: Limb
  - N: Nadir
  - A: Alignment ( in Nadir direction )
  - W: Mercury observation
  - M: Mars observation
  - H: Earth observation
  - Y: Sky ( Sky observation or observation with spicav no master)
  - T: Techno ( calibration )
  - C: Comet
  - J:Jupiter

During the Cruise, Star and Sun observations are technological (T) observations with no occultation. However, during the CRUISE , E and S (observations types) are used in the data file name. But to immediately know which target is observed during the cruise, E and S are used in the name of the data file.

Examples :

SPIV\_0AU\_C016A02\_E\_04.DAT Star UV observation during the CRUISE phase.  
SPIV\_0AU\_P104A01\_Y\_04.DAT Sky UV observation during the VOCP phase.  
SPIV\_0AU\_nnnnA01\_E\_04.DAT Stellar UV occultation on orbit nnnn

Associated detached label files and browse files follow the same filenaming convention with the .LBL and \_QL.PNG extension respectively.

Geometry files

-----  
N/A for CRUISE phase

Geometry files provided by the SPICAV team will have the following name:  
(N/A for the cruise )

SPIV\_YYT\_nnnnApp\_M\_GO\_vv.TXT

Where:

vv version number of the geometry file

## 3.2 Standards Used in Data Product Generation (Issued from MEX)

### 3.2.1 PDS Standards

The PDS standards used to describe data products in the SPICAV archive is that of PDS version 3.6 [2]. Each PDS archived product is described using label objects that provide information about the data types of stored values.

In order to identify and describe the organization, content, and format of each data product, PDS requires a distinct data product label for each individual data product file. This data product label can be attached or detached from the data. The SPICAV PDS data product label is detached from the data and resides in a separate file which contains a pointer to the data product file. There is one detached label file for every data product file. The label file should have the same base name as its associated data file, but the extension is .LBL.

Each PDS label must begin with the PDS\_VERSION\_ID data element. This element identifies the published version of the standards to which the label adheres. For labels adhering to the standards version 3.6 the appropriate value is "PDS3":

PDS\_VERSION\_ID = PDS3

PDS data product labels contain data element informations that describe important attributes of the physical structure of a data product file. The PDS file characteristic data elements are:

RECORD\_TYPE  
RECORD\_BYTES  
FILE\_RECORDS

The RECORD\_TYPE data element identifies the record characteristics of the data product file. The RECORD\_BYTES data element identifies the number of bytes in each physical record in the data product file. The FILE\_RECORDS data element identifies the number of physical records in the file.

The following data identification elements must be included in product labels for all spacecraft science data products:

DATA\_SET\_ID  
PRODUCT\_ID  
INSTRUMENT\_HOST\_NAME  
INSTRUMENT\_NAME  
TARGET\_NAME  
START\_TIME  
STOP\_TIME  
SPACECRAFT\_CLOCK\_START\_COUNT  
SPACECRAFT\_CLOCK\_STOP\_COUNT  
PRODUCT\_CREATION\_TIME

The PDS requires a separate data object definition within the product label for each object in the product, to describe the structure and associated attributes of each constituent object.

Object definitions are of the form:

```
OBJECT = aaa where aaa is the name of the data object
```

```
...
```

```
END_OBJECT = aaa
```

The PDS uses a pointer within the product labels to identify the file location for all objects which are described in the label file. For example,

```
^SPICAV_FILE_ARRAY = "SPIV_0AU_0017A011_E_043.DAT"
```

### 3.2.2 Time Standards

#### 3.2.2.1 START\_TIME and STOP\_TIME Formation

The PDS formation rule for dates and time in UTC is:

```
YYYY-MM-DDThh:mm:ss.fff or YYYY-DDDThh:mm:ss.fff
```

With:

YYYY year (0000-9999)

MM month (01-12)

DD day of month (01-31)

DDD day of year (001-366)

T date/time separator

hh hour (00-23)

mm minute (00-59)

ss second (00-59)

fff fractions of second (000-999) (restricted to 3 digits)

The START\_TIME and STOP\_TIME data elements required in data product labels and catalog templates use the UTC format.

Times in any format other than the ISO/DIS 8601 format described above are considered to be in a format native to the data set, and thus "native times".

#### 3.2.2.2 SC\_CLOCK\_START\_COUNT and SC\_CLOCK\_STOP\_COUNT

The spacecraft clock reading often provides the essential timing information for a space-based observation. Therefore, the elements SPACECRAFT\_CLOCK\_START\_COUNT and SPACECRAFT\_CLOCK\_STOP\_COUNT are required in labels describing space-based data. This value is



formatted as a string to preserve precision.

Spacecraft clock counts shall be represented as a right-justified character string field with a maximum length of thirty characters. The SC\_CLOCK\*COUNTS represent the on-board time counters (OBT) of the spacecraft and instrument computers. This OBT counter is given in the headers of the experiment telemetry source packets. It contains the data acquisition start time as 32 bit of unit seconds followed by 16 bit of fractional seconds. The time resolution of the fractional part is  $2^{-16} = 1.52 \cdot 10^{-5}$  seconds. Thus the OBT is represented as a decimal real number in floating-point notation with 5 digits after the decimal point.

A reset of the spacecraft clock is represented by an integer number followed by a slash, e.g. "1/" or "2/".

Example 1:

```
SPACECRAFT_CLOCK_START_COUNT = "1/21983325.39258"
```

Example 2:

```
SPACECRAFT_CLOCK_START_COUNT = "21983325.39258"
```

Example 3:

```
SPACECRAFT_CLOCK_START_COUNT = "2/0000325.39008"
```

Example 1 and Example 2 represents the same time instance.

### 3.2.2.3 OBT to UTC time conversion

UTC time is a function of the time correlation packages and the on-board time. The time correlation packages are archived and distributed in the SPICE auxiliary data set and contain linear segments that map the on-board time to UTC time. The linear segment is represented by a time offset and a time gradient. The conversion function is:

$$\text{Time in utc} = \text{offset} + (\text{obt}(\text{seconds}) + (\text{obt}(\text{fractional part}) * 2^{-16})) * \text{gradient}$$

### 3.2.3 Reference Systems

The SPICAV data products are not projected into any coordinate system, however some basic geometric parameters are provided in a associated geometry file.

## 3.3 Data Validation

The concept of validation is useful in the case of Earth Observation instrument, where measurements can be compared to other means of measurements, for instance lidars. In the case of the exploration of Venus, the same concept is not applicable.

In addition, since we provide for the archive Level 0 only, the algorithm used are quite simple, and have been checked thoroughly.

The scientific products are not yet archived. For our own purpose, we are comparing our results to other measurements of the same quantity, if they

exist. They are rare, and when they disagree with our results, we check our assumptions and algorithms. This is as much as can be done for validation in the frame of the exploration of the solar system

### 3.4 Content

#### 3.4.1 Volume Set

The SPICAV volume set contains all raw data products collected by the UV and IR SPICAV sensors during the CRUISE and VENUS mission phases, and all derived products provided by the SPICAV team.

The VOLUME\_SET\_NAME keyword provides the full, formal name of a group of data volumes containing a data set or a collection of related data sets. VOLUME\_SET\_NAME value shall be at most 60 characters in length and must be in upper case.

The SPICAV VOLUME\_SET\_NAME keyword contained in the VOLDESC.CAT file on each volume has the following value :

```
VOLUME_SET_NAME = "VEX SPICAV UV DATA PRODUCTS"
```

A data set is defined for each sensor (UV, IR, SOIR) and for each data product level (level 0A or 0B). Therefore, the SPICAV volume set will consist of at least 23 data volumes containing a single data set.

For SOIR Channel, see SOIR EAICD

#### 3.4.2 Data Set

Each data set will contain the accumulation of data products of one sensor (UV, IR, SOIR) and of one data level (0A or 0B), ancilliary data, software, and documentation, needed to understand and use the observations.

Files in a data set share a unique data set name, a unique data set identifier, and are described by a single DATASET.CAT catalog object.

#### 3.4.3 Directories

Each SPICAV archive volume (VEXSPI\_1001 (0AUV), VEXSPI\_1002 (0BIR), VEXSPI\_1003 (0BS0 TBC) ) is a PDS compatible archive volume, containing the VOLDESC.CAT and AAREADME.TXT files and all necessary CATALOG, DOCUMENT, INDEX, DATA, etc directories and their content.

All TXT and LBL files can be the usual maximum of 80 characters.

All CAT files should have a maximum of 70 characters in each line, \*plus\* the <CR><LF>, so 72 characters in total, including the line terminators. Not all lines have to be 72 characters.

The 72 character maximum only applies to \*.CAT files. It means also the VOLDESC.CAT

### 3.4.3.1 Root Directory

Files in each ROOT directory include an overview of the archive, a description of the volume for the PDS Catalog, and a list of errata or comments about the archive.

The following files, provided by the SPICAV team, are contained in the ROOT Directory:

```
ROOT
|
|- AAREADME.TXT          Volume content and format information
|
|- ERRATA.TXT           Description of known anomalies and errors
                        present in the volume
|
|- AAREADME.LBL        PDS detached label describing AAREADME.TXT
|
|- VOLDESC.CAT         Description of the contents of the
                        volume in a PDS format for the PDS Catalog
```

### 3.4.3.2 Catalog Directory

The files in each CATALOG directory provide a top-level understanding of the mission, spacecraft, instruments, and data sets.

For example, The CATALOG directory of the VEXSPI\_1001 volume archive follows the structure outlined below:

```
|- [CATALOG] A directory containing information about the data set
|
|   |- CATINFO.TXT      Description of files in this directory
|   |- DATASET.CAT     Description of the VEXSPI_1001 data set
|                       during the cruise phase
|   |- RELEASE.CAT     Release object of the VEXSPI_1001
|                       data set
|   |- MISSION.CAT     Description of the VENUS Express mission
|   |- INSTHOST.CAT    Description of the VENUS Express
|                       spacecraft
|   |- INST.CAT        Description of the VEX SPICAV instrument
|   |- PERS.CAT        Listing of the people involved in the
|                       production of this archive volume
|   |- REFS.CAT        List of pertinent references.
```



product on a volume release. The table is formatted so that it can be read directly into many data management systems. All fields are separated by commas and character fields are enclosed in double quotation marks ("). Character fields are left justified and numeric fields are right justified. Each record (row) ends with ASCII carriage return <CR> (ASCII 13). All fields in the tables are fixed width. This allows the table to be treated as a fixed length record file.

In the data index table (INDEX.TAB) the fields are as follows:

File Specification Name - Pathname to the detached label which identifies this data file

Product ID - The name of the data file, which is unique within this data set

Product Creation Time - Time at which the data file was created

Data Set ID - An identifier unique for the dataset

Release id

Revision id

Start date and time of product observation or event

Stop date and time of product observation or event

Number of records in the data file

In the browse index table (BROWSE\_INDEX.TAB) the fields are as follows:

File Specification Name - Pathname to the detached label which identifies this data file

Product ID - The name of the data file, which is unique within this data set

Source Product ID - The name of the source data file, which is unique within this data set

Product Creation Time - Time at which the data file was created

Data Set ID - An identifier unique for the dataset

Release id

Revision id

In the geometry index table (GEOMETRY\_INDEX.TAB) the fields are as follows:

File Specification Name - Pathname to the detached label which identifies this data file

Product ID - The name of the data file, which is unique within this data set

Source Product ID - The name of the source data file, which is unique within this data set

Product Creation Time - Time at which the data file was created

Data Set ID - An identifier unique for the dataset

Release id

Revision id

The geometry index file (GEO\_VENUS.TAB) provides geometry and position information. This file is required by the PSA. Within the PSA, the geometry index files are read by the database software and allow the ingestion of additional searching parameters into

the database. For a detailed description of this file and of its associated label file, please refer to the Planetary Science Data Archive Technical Note Geometry and Position Information SOP-RSSD-TN-010.PDF.

#### 3.4.3.4 Data Directory

The DATA directory contains data subdirectories in which the VENUS Express SPICAV standard data products are stored by mission phases (CRUISE, VENUS). The VENUS directory is divided in several directories, containing data from the VENUS Orbit Commissioning Phase (VOCP) and from the different Medium Term Planning (MTP) phases.

The data subdirectories contain the table data products and corresponding PDS detached label describing the table data.

For example, The DATA directory of the VEXSPI\_0AUV volume archive follows the structure outlined below:

```
| - [DATA]          A directory containing the data + associated label files
|   |
|   | - DATAINFO.TXT      Description of files in this directory
|   |
|   | - [CRUISE]        A directory containing VEX SPICAV level 0A UV data
|   |                   collected during the cruise phase
|   |   |
|   |   | - [DOYXXXX]
|   |   |   |-- {file(s) *DAT, *.LBL}
|   |
|   | - [VENUS]        A directory containing VEX SPICAV level 0A UV data
|   |                   collected during the VENUS nominal phase
|   |   |
|   |   | - [VOCP_0001_0022]
|   |   |   |
|   |   |   | - [DOYXXXX]
|   |   |   |   |-- {file(s) *DAT, *.LBL}
|   |   |
|   |   | - [MTP001_0023_0044]
|   |   |   |
|   |   |   | - [ORBITxxxx]
|   |   |   |   |-- {file(s) *DAT, *.LBL}
|   |   |
|   |   | ...
```

#### 3.4.3.5 Browse Directory and Browse Files

The BROWSE directory will contain reduced-size, easily viewed versions of data products to be used to help identify products of interest available on the archive volume. The BROWSE directory follows the same naming convention as the DATA directory. The format of the browse files is PNG.

Browse images, provided by the SPICAV team, have the same name of the data product with a \_QL.PNG. The browse subdirectories contain the browse image products and corresponding PDS detached label describing the browse image.

### 3.4.3.6 Geometry Directory

#### 3.4.3.6.a Content of the geometry directory

The GEOMETRY directory will contain geometry files associated with data files. Therefore the GEOMETRY subdirectories will follow the same naming convention as the DATA subdirectories. For example, The GEOMETRY directory of the VEXSPI\_0AUV volume archive follows the structure outlined below:

```
| - [GEOMETRY] A directory containing the geometry
|               +associated label files
|               | - GEOMINFO.TXT      Description of files in this directory
|               |
|               | - [VENUS]          A directory containing VEX SPICAV level 0A UV
|               |                   geometry files associated to data collected during
|               |                   the VENUS nominal phase
|               |                   | - [VOCP_0001_0022]
|               |                   |
|               |                   | - [DOYXXXX]
|               |                   |     |-- {file(s) *.TXT, *.LBL}
|               |                   |
|               |                   | - [MTP001_0023-0044]
|               |                   |
|               |                   | - [ORBITXXXX]
|               |                   |
|               |                   |     |-- {file(s) *.TXT, *.LBL}
|               |                   |
|               |                   ...
|               |
```

Currently no plans exist for providing geometry files associated to observations obtained during the cruise phase.

#### 3.4.3.6.b Content of the geometry files

Geometric parameters are generated with a SPICAV software using SPICE routines and SPICE kernels. Each geometry file contains two blocks: a header (comments) and a data table.

The header (see example in Annex.5), which ends with the "-- End Comments" line, gives information like:

- The name and the version of the software used to generate the geometry file, and the date of the file generation.
- The list of SPICE kernels required to perform the computations
- Solar related parameters (longitude, latitude, distance from

the spacecraft.) at the first time of observation.

- The kind of target [NAD/LIMB, SUN, 0xx (name of the star)] : the processing of the geometry file is different for star and nadir, limb, sun observations.

Parameters definition. The SPICAV team can generate a light (only some main parameters) or a full version of the geometry file. The list and a brief definition of parameters computed is given in the header. The number just before the parameter definition is an internal use (do not care).

The data table, which follows the header, is fully described in the associated detached PDS label file. The data table is in ASCII format and is based on fixed length rows. The number of rows is related with the sampling frequency of the observation. The geometry file has the same sampling resolution as the data file.

An example of a geometry file header is provided in Annex 5.

#### 3.4.3.6.c Content of the geometry label files

The geometry PDS label file describes the content and structure of the fields (name, format, brief definition) in the geometry file. The header in each geometry file is described by an HEADER object. Each field of the geometry data table is then described in a data TABLE by a COLUMN object.

#### 3.4.3.7 Software Directory

The SOFTWARE directory contains IDL routines to read the SPICAV UV data files, as a ZIP file SPICAV\_READPSD43.ZIP and its corresponding label file, SPICAV\_READPSD43.LBL

This zip file contains IDL software routines able to read the Venus Express SPICAV-UV PDS data and label files under Windows (not tested under other OS). The software requires RSI/IDL version 6.x.

When unzipped, the software is located in the ROOT/SOFTWARE/SPICAV\_READPDS43 directory. Instructions for running the routines are located in the file SPICAV\_READPDS43\_README.TXT, located in the same directory.

The main routine readSBN\_UV.pro has been developed by the SPICAV team and calls the readPDS set of IDL procedures developed at the SBN (<http://pdssbn.astro.umd.edu/nodehtml/software.shtml>) and stored in the readpdsx\_4.3 directory.

The DATA directory contains 2 example SPICAV data file and associated label file. The LABEL directory contains the FMT included file describing the structure of the HEADER\_ARRAY object in the SPICAV level 0AUV data products.

Version 01 of readSBN\_UV works with readPDS version 4.3 Package.

Nevertheless note that a small modification has been performed in the pointpds.pro routine on lines 150 and 175. (bug with call to the stregex routine under windows). That's the reason why the readPDS 4.3 Package is



archived in the SPICAV UV dataset while it has not been updated by the SBN team. Please note that we do not guarantee that the readSBN\_UV SPICAV routine version 01 works with previous or future versions of the readPDS package.

#### 3.4.3.8 Calibration Directory

All calibration documentation needed to use the data will be stored in the DOCUMENT directory of each archive volume. Calibration data files mentioned in the documentation are contained in the CALIB directory of the archive volume.

#### 3.4.3.9 Label Directory

All PDS detached label files describing data or document files in a volume are stored in the same directory as the data or document files. Thus, they are not stored in the Label directory.

This directory only includes files (\*.FMT (FORMAT)), containing additional description of data object and referenced by a pointer in a PDS label.

#### 3.4.3.10 Document Directory

The DOCUMENT directory contains at least :

- documentation to help the user to understand and use the archive data (this document).
- A SPICAV UV/, IR, SOIR data file description (eg.SPICAV\_UVDATAFILE\_DESC.TXT)
- A SPICAV geometry documentation (eg. SPICAV\_GEOMETRY\_DESC.TXT)
- An SPICAV UV, /IR , SOIR calibration documentation (eg. SPICAV\_UVCALIB\_DESC.TXT)
- An SPICAV UV operating mode description (SPICAV\_UVMODE\_DESC.TXT)
- An Flight User Manual (SPVFUM25.PDF)

The SPICAV EAICD document will be provided in both ASCII and PDF (Adobe Portable Document Format).

Data file, geometry and calibration documentation will be provided in ASCII format, and the SPICAV flight user manual (FUM) in PDF.

Helpful technical SPICAV documentation or SPICAV scientific papers will be provided in the DOCUMENT directory in addition to other ESA documentation.

## 4 Detailed Interface Specifications

---

### 4.1 Data Product Design

Following sections contain example labels for each of our different data product (for each sensor, and for each data product level).



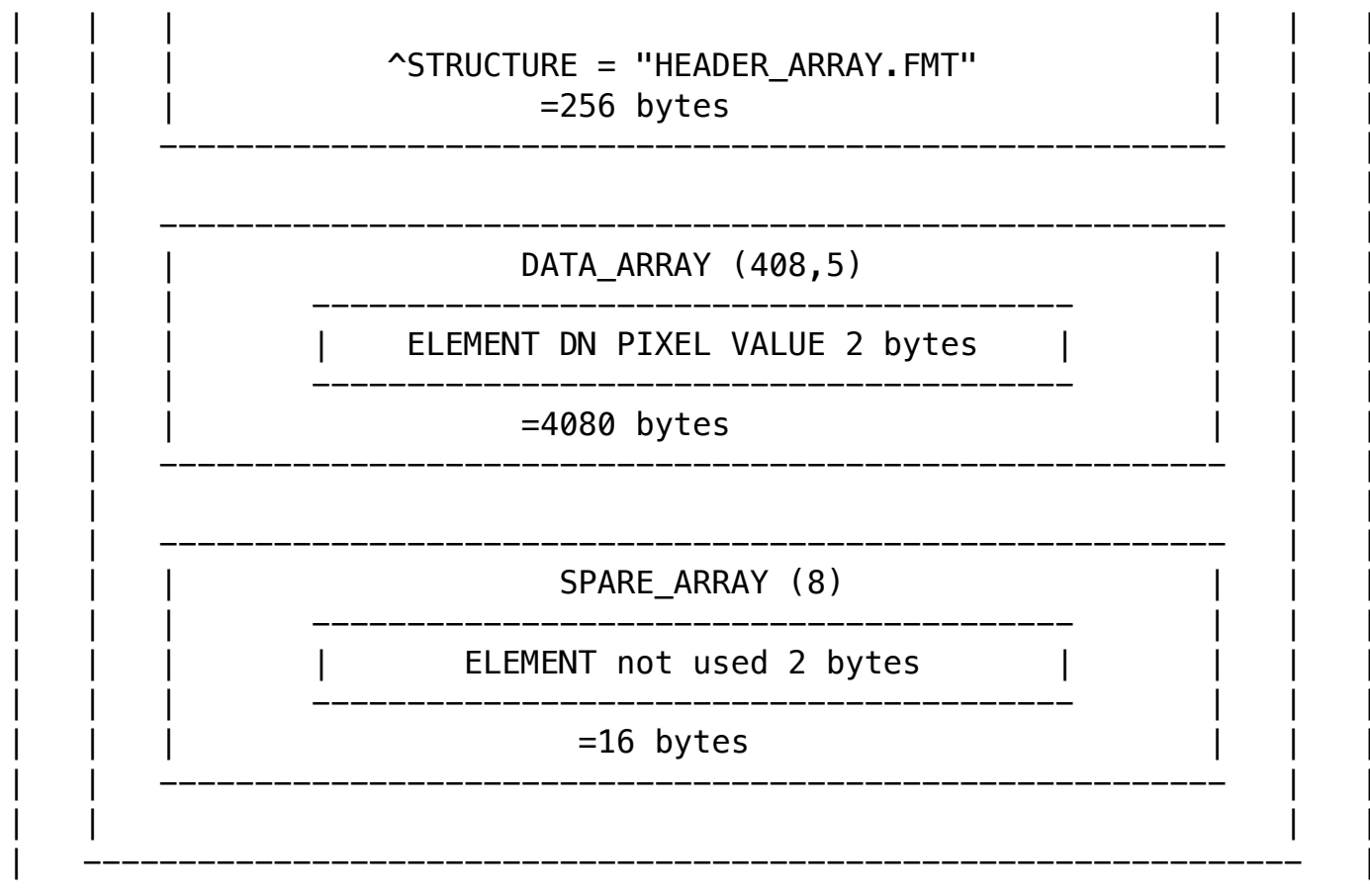


Figure 4. SPICAV 0AUV data representation in the label file.

Example label of level 0A UV data product see in annex 5.

#### 4.1.2 Data product design and example label of a 0BIR data product

##### Data product design

A SPICAV 0BIR data product file contains a general information header followed by a general frequency array information and by one or several records of an observation from the two detectors of the infrared channel.

The SPICAV IR general header contains all the general information from one SPICAV IR sequence of measurement. The general header length is 50\*2 bytes. They are command parameters , and informations about the number of channels used, the expected points per spectrum, the number of spectra and the number of sessions per spectrum. The frequency array informations are the frequency array associated to the spectra ( expected points \*4 bytes ).

Each record contains: a header table ( 58 bytes ), giving time, system monitor's values and some satellite's parameters (temperature, current,..), information at the beginning of each communication cycle: the header is

followed by one or two data arrays, depending on the number of detector activated.

Spectrum measurement can be done on three frequency windows, characterized by 3 parameters: FREQUENCY, POINTS and STEP. Along with spectrum measurement in three frequency windows a set of spectrum dots can be obtained during measurement cycle. Each dot represents a few adjacent spectrum points and can be viewed as a small window with predefined starting frequency, points number and frequency step. Height various sets of spectrum dots are predefined, with the possibility of 'no dots' measurement configuration.

Spectrum points recorded by a detector for one measurement cycle are stored in the following order : spectrum points of window 0, spectrum points of window 1, spectrum points of window 2 and spectrum points of dots set defined by the command.

The frequency array contains frequencies in the following order: frequencies of window 0, frequencies of window 1, frequencies of window 2 and frequencies of dots set defined by the command

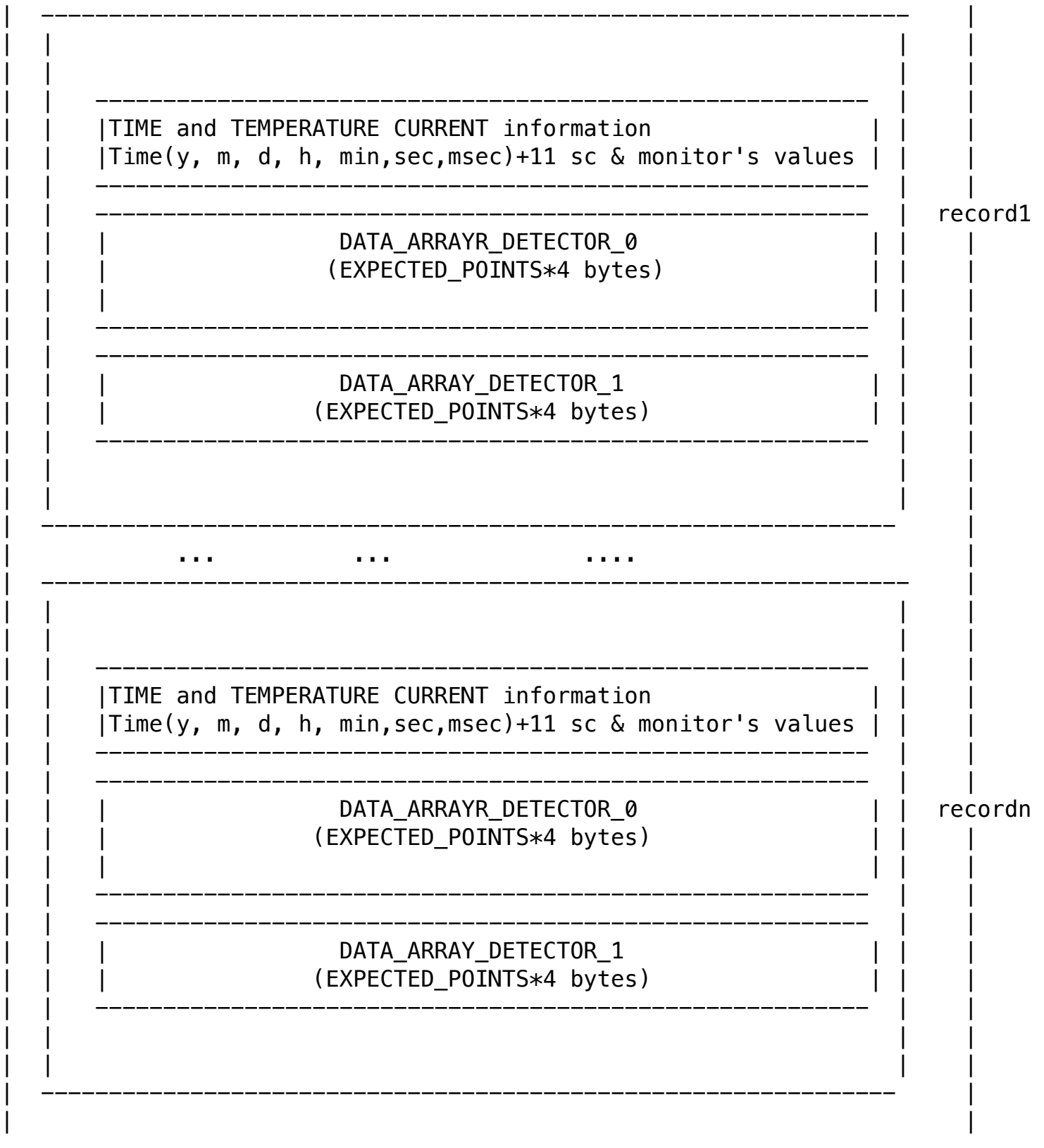
A label associated to a SPICAV 0B IR data product contains 2 ARRAY objects : FREQUENCY\_ARRAY and RECORD\_ARRAY. The FREQUENCY\_ARRAY contains all the frequency values, and the RECORD\_ARRAY contains all the records. A SPICAV 0BIR record is then described by a COLLECTION object, containing 13 ELEMENTS objects, providing time and system monitor's values information at the beginning of each communication cycle, and one DATA\_ARRAY containing the spectrum points recorded by the detectors.

The internal representation of each value is integer or float with LOW byte first (LSB\_INTEGER or PC\_REAL).

-----  
|  
|                   HEADER\_ARRAY  
|                   (50\*2 bytes)  
|  
|-----

-----  
|  
|                   FREQUENCY\_ARRAY  
|                   (EXPECTED\_POINTS\*4 bytes)  
|  
|-----

-----  
|  
|                   RECORD\_ARRAY (1,n)  
|                   (7\*2 bytes+ 11\*4 bytes+2\*EXPECTED\_POINTS\*4 bytes)\*n records  
|  
|-----



Example label of level 0B IR data product See in Annex 6 .

4.1.3 Data product design and example label of a S0IR data product  
See S0IR EAICD

4.1.4 Label keywords descriptions

#### 4.1.4.1 File and Data Characteristics Data Elements

|                       |                                                                                                                                                                                                                                                                                                                                                 |
|-----------------------|-------------------------------------------------------------------------------------------------------------------------------------------------------------------------------------------------------------------------------------------------------------------------------------------------------------------------------------------------|
| PDS_VERSION_ID        | Version number of the PDS standards document that is valid when a data product label is created. For labels adhering to the PDS Standards Reference, Version 3.6, the appropriate value is [PDS3].                                                                                                                                              |
| RECORD_TYPE           | Record format of a file. For binary data the RECORD_TYPE is [FIXED_LENGTH].                                                                                                                                                                                                                                                                     |
| RECORD_BYTES          | Number of bytes in a record.<br>For example, a SPICAV UV record consists in a header table (256 bytes) followed by a data table (4096 bytes). The RECORD_BYTES value is then 4352 bytes ([4352] for 0AUV, 1AUV.tbc).                                                                                                                            |
| FILE_RECORDS          | Number of records in a file.                                                                                                                                                                                                                                                                                                                    |
| FILE_NAME             | Name of the data file.                                                                                                                                                                                                                                                                                                                          |
| DATA_SET_ID           | Unique alphanumeric identifier of this dataset.<br>["VEX-Y/V-SPI-2-UVEDR-RAWXCRUISE/VENUS-V1.0",<br>"VEX-Y/V-SPI-2-IREDR-RAWXCRUISE/VENUS-V1.0"],<br>"VEX-Y/V-SPI-2-SOEDR-RAWXCRUISE/VENUS-V1.0"]<br>The data_set_id is an abbreviation of the data_set_name.                                                                                   |
| DATA_SET_NAME         | Full name given to a data set or a data product. The data_set_name typically identifies the instrument that acquired the data, the target of that instrument, and the processing level of the data.<br>["VEX SPICAV CRUISE/VENUS UVEDR-RAW V1.0",<br>"VEX SPICAV CRUISE/VENUS IR EDR-RAW V1.0"],<br>" VEX SPICAV CRUISE/VENUS SO EDR-RAW V1.0"] |
| PRODUCT_ID            | Unique identifier assigned to a data product. Data file name is used.                                                                                                                                                                                                                                                                           |
| PRODUCT_CREATION_TIME | Time of creation of this data file on the ground (in UTC).                                                                                                                                                                                                                                                                                      |
| MISSION_NAME          | Name of the mission including the SPICAV instrument<br>. ["VENUS EXPRESS"]                                                                                                                                                                                                                                                                      |
| INSTRUMENT_HOST_NAME  | Name of the host spacecraft for the SPICAV instrument. ["VENUS EXPRESS"]                                                                                                                                                                                                                                                                        |
| INSTRUMENT_HOST_ID    | Abbreviated name of the host spacecraft. ["VEX"]                                                                                                                                                                                                                                                                                                |

|                              |                                                                                                                                                                                                               |
|------------------------------|---------------------------------------------------------------------------------------------------------------------------------------------------------------------------------------------------------------|
| MISSION_PHASE_NAME           | Mission subphases during which the data were collected. See [5"EV","IC,..]                                                                                                                                    |
| TARGET_NAME                  | The name of the target observed in the data. ["SKY","VENUS", "STAR ", "SUN ", "COMET ", "CALIBRATION"]                                                                                                        |
| TARGET_TYPE                  | The target_type element identifies the type of a named target.                                                                                                                                                |
| PRODUCT_TYPE                 | Type or category of a data product within a data set. [EDR, RDR]                                                                                                                                              |
| STANDARD_DATA_PRODUCT_ID     | Used to link a data product (file) to a standard data product (collection of similar files). [RAWX, CORX, SPEC, RDRX].                                                                                        |
| START_TIME                   | The time of data acquisition of the first record (in UTC)                                                                                                                                                     |
| STOP_TIME                    | The time of data acquisition of the last record (in UTC)                                                                                                                                                      |
| SPACECRAFT_CLOCK_START_COUNT | The value of the spacecraft clock at the beginning of data acquisition of the first record                                                                                                                    |
| SPACECRAFT_CLOCK_STOP_COUNT  | The time on the spacecraft clock at the end of data acquisition of the last record                                                                                                                            |
| ORBIT_NUMBER                 | Spacecraft orbit during which this data was collected. Valid values are ["N/A"] during the CRUISE phase , 0 during the VOCP phase and the value of the orbit on 4 digits (e.g "0103") during the VENUS phase. |
| PRODUCER_ID                  | Identity of the producer of this dataset [VEX_SPI_TEAM]                                                                                                                                                       |
| PRODUCER_FULL_NAME           | Full_name of the individual mainly responsible for the production of a data. ["JEAN-LOUP BERTAUX"].                                                                                                           |
| PRODUCER_INSTITUTION_NAME    | Institution associated with the production of a data set ["LATMOS, IPSL/CNRS,FRANCE"]                                                                                                                         |
| DATA_QUALITY_ID              | This keyword includes a quality flag string of eight characters. It identifies the quality of data available.                                                                                                 |

The eight characters are describes in the  
DATA\_QUALITY\_DESC.

DATA\_QUALITY\_DESC This describes the data quality which is associated  
with a particular data\_quality\_id value.

#### 4.1.4.2 Data Object Pointers Identification Data Elements

^RECORD\_ARRAY Pointer to the file containing the SPICAV data and  
described in the label file.

#### 4.1.4.3 Instrument and Detector Descriptive Data Elements

INSTRUMENT\_ID Acronym which identifies the instrument.  
["SPICAV"]

INSTRUMENT\_NAME Name of the instrument. ["SPICAV"]

INSTRUMENT\_TYPE Type of the instrument. ["SPECTROMETER"]

INSTRUMENT\_MODE\_ID Instrument-dependent designation of  
operating mode. The standard values for SPICAV  
are ["ALIGN", "BINNING", "BINNINGP" without  
the slit and "ALIGN\_S", "BINNING\_S",  
"BINNINGP\_S" with the slit]. For more details,  
see the SPICAV\_UVMODE\_DESC.TXT file in the  
DOCUMENT directory.

CHANNEL\_ID Instrument channel through  
which data were obtained ["UV", "IR"], "S0"]

DISTRIBUTION TYPE: to distinguish data files from geometry files

-----  
VEX:SPICAV\_UV\_EXPOSURE\_TIME  
-----

[integer, text, scalar]

The keyword provides a value of the time for which the SPICAV CCD  
was exposed for a given measurement. The value provided is in  
units of \*10 msec. For example VEX:SPICAV\_UV\_EXPOSURE\_TIME = 56  
would mean an exposure time of 560 msec.

-----  
VEX:SPICAV\_UV\_FIRST\_BAND  
-----

[Integer, formation, scalar]

The SPICAV CCD has 288 lines, from which 5 bands can be chosen.  
This keyword identifies the line number on the CCD at which the  
first band begins.

-----  
VEX:SPICAV\_UV\_CCD\_ROW\_BINNED  
-----

[Integer, formation, scalar]



The keyword value indicates the number of physical CCD rows that are binned and contained in one band. This keyword will be set to 0 when SPICAV is in BINNINGP mode.

VEX:SPICAV\_UV\_HT

-----

[Real, formation, scalar]

The value assigned to this keyword indicates the high voltage put on the intensifier of the CCD.

#### 4.1.4.4 Data Object and Data Element Definition

Issued from MEX

|            |                                                                                                                                                                                                                                                                                                                                                                                                                                           |
|------------|-------------------------------------------------------------------------------------------------------------------------------------------------------------------------------------------------------------------------------------------------------------------------------------------------------------------------------------------------------------------------------------------------------------------------------------------|
| TABLE      | The TABLE object is a uniform collection of rows containing ASCII and/or binary values stored in columns. Required elements are COLUMNS, ROW_BYTES, INTERCHANGE_FORMAT, and ROWS.                                                                                                                                                                                                                                                         |
| COLUMN     | The COLUMN object identifies a single column in a data object. Required elements are BYTES, DATA_TYPE, START_BYTE and NAME.                                                                                                                                                                                                                                                                                                               |
| ARRAY      | The ARRAY object is provided to describe dimensioned arrays of homogeneous objects. Note that an ARRAY can contain only a single object, which can itself be another ARRAY or COLLECTION if required. Elements required in a ARRAY are the AXES, AXIS_ITEMS and NAME elements. Other elements are optional.                                                                                                                               |
| COLLECTION | The COLLECTION object allows the ordered grouping of heterogeneous objects into a named collection. The COLLECTION object may contain a mixture of different object types including other COLLECTIONS. The optional START_BYTE data element provides the starting location relative to an enclosing object. If a START_BYTE is not specified, a value of 1 is assumed. Elements required in a COLLECTION are the NAME and BYTES elements. |
| ELEMENT    | The ELEMENT object provides a means of defining a lowest level component of a data object that is stored in an integral multiple of 8-bit bytes. The optional START_BYTE element identifies a location relative to the enclosing object. If not explicitly included,                                                                                                                                                                      |

a START\_BYTE = 1 is assumed for the ELEMENT.

|                          |                                                                                                                                                                                    |
|--------------------------|------------------------------------------------------------------------------------------------------------------------------------------------------------------------------------|
| NAME                     | Literal value representing the common term used to identify an element or object.                                                                                                  |
| INTERCHANGE_FORMAT       | Represents the manner in which data items are stored. [BINARY,ASCII].                                                                                                              |
| AXES                     | Number of axes or dimensions of an array data object.                                                                                                                              |
| AXIS_ITEMS               | Dimension(s) of the axes of an array data object. For arrays with more than 1 dimension, this element provides a sequence of values corresponding to the number of axes specified. |
| AXIS_NAME                | Sequence of axis names of a array data object, and identifies the order in which the axes are stored in the object.                                                                |
| BYTES                    | Number of bytes allocated for a particular data representation.                                                                                                                    |
| DATA_TYPE                | Internal representation of a value.                                                                                                                                                |
| START_BYTE               | Location of the first byte of the object, counting from 1. For nested objects, the start_byte value is relative to the start of the enclosing object.                              |
| ROW_BYTES<br>object row. | Maximum number of bytes in each data                                                                                                                                               |
| ROWS                     | Number of rows in a data object.                                                                                                                                                   |
| COLUMNS                  | Number of columns in each row of a data object.                                                                                                                                    |
| COLUMN_NUMBER            | Location of a specific column within a larger data object, such as a table                                                                                                         |
| FORMAT                   | A specified arrangement of data within a file or on a storage medium. It is equivalent to the FORTRAN language format specification                                                |

#### 4.1.4.5 Parameters Index File Definition

The index PDS label files describe the content and structure of

the fields (name, format, brief definition) in the index table. Each field in the INDEX.TAB file is described in the index label file by a COLUMN object, containing the following keywords:

|               |                                                                                                                                                                                                                                                                                                                                     |
|---------------|-------------------------------------------------------------------------------------------------------------------------------------------------------------------------------------------------------------------------------------------------------------------------------------------------------------------------------------|
| NAME          | Name of the field                                                                                                                                                                                                                                                                                                                   |
| COLUMN_NUMBER | Column number of the field in the index table                                                                                                                                                                                                                                                                                       |
| DATA_TYPE     | Internal representation of a value.                                                                                                                                                                                                                                                                                                 |
| START_BYTE    | Location of the first byte of the object, counting from 1. The values for START_BYTE include commas between fields or quotation marks surrounding character fields (All fields are separated by commas and character fields are enclosed in double quotation marks ("), therefore the start_byte of the first field is equal to 2). |
| BYTES         | Number of bytes allocated for the particular data representation.                                                                                                                                                                                                                                                                   |
| FORMAT        | Format of the value                                                                                                                                                                                                                                                                                                                 |
| DESCRIPTION   | Brief definition of the field                                                                                                                                                                                                                                                                                                       |

An example of PDS label file describing the content of the data index table within an archive volume in Annex 7.

#### 4.1.4.6 Mission Specific Keywords

SPACECRAFT\_POINTING\_MODE Pointing mode of the spacecraft. The definition of the modes and the standard values are given via the spacecraft\_pointing\_mode\_desc element ["NADIR", "INERT"]

SPACECRAFT\_POINTING\_MODE\_DESC Definition of the different pointing modes of the spacecraft .

VEX:SCIENCE\_CASE\_ID: This element, used within the VENUS EXPRESS mission, is an integer defining the science case. Allowed values are : [1,2,3,4,5,6,7,8,9,10,ALL]

VEX:SCIENCE\_CASE\_ID\_DESC: It provides the definition of the SCIENCE\_CASE\_ID value.

OBSERVATION\_TYPE: The observation\_type element identifies the general type of an observation.

^ OBSERVATION\_TYPE\_DESC: It is used to give a full description of the values

5 Appendix: Example of Directory Listing of VEXSPI\_1001 archive volume

```

ROOT
|
|- AAREADME.TXT      The file you are reading
|
|- ERRATA.TXT       Description of known anomalies and errors present
|                   on the volume.
|- AAREADME.LBL     PDS detached label describing AAREADME.TXT
|
|- VOLDESC.CAT      Description of the contents of the volume in a PDS
|                   format for the PDS Catalog
|
|- [DATA]           A directory containing the data + associated
|                   label files
|
|   |- DATAINFO.TXT  Description of files in this
|   |                 directory
|   |
|   |- [CRUISE]      A directory containing VEX SPI level 0A UV
|   |                 data collected during the cruise phase
|   |
|   |   - [DOYxxxx]
|   |     |-- {file(s) *DAT, *.LBL}
|   |
|   |   |-- HEADER_ARRAY.FMT Include file containing a
|   |                       description of the header
|   |                       of a UV record.
|   |
|   |- [VENUS]       A directory containing VEX SPI level 0A
|   |                 UV data collected during the VENUS nominal phase
|   |
|   |   |- [VOCP_0001_0022482]
|   |     |- [DOYxxxx]
|   |       |-- {file(s) *DAT, *.LBL}
|   |
|   |     |-- HEADER_ARRAY.FMT Include file containing a
|   |                         description of the header of a UV record.
|   |
|   |- [MTP001_0023-0044483_0583]
|   |
|   |   |- [ORBITxxxx]
|   |     |
|   |     |
|   |     |-- {file(s) *DAT, *.LBL}

```







|                              |                                                                                                                             |
|------------------------------|-----------------------------------------------------------------------------------------------------------------------------|
| - SPICAV_UVDATAFILE_DESC.TXT | ASCII file describing the contents of the data files which are delivered in the SPICAV data product.                        |
| - SPICAV_UVDATAFILE_DESC.LBL | PDS detached label that describes SPICAV_UVDATAFILE_DESC.TXT                                                                |
| - SPICAV_UVCALIB_DESC.TXT    | ASCII file describing the calibration of the SPICAV UV data which are delivered in the SPICAV UV dataset.                   |
| - SPICAV_UVCALIB_DESC.LBL    | PDS detached label that describes SPICAV_UVCALIB_DESC.TXT                                                                   |
| - SPICAV_GEOMETRY_DESC.TXT   | ASCII file describing the contents of the geometry files which are delivered in the SPICAV data set. ( N/A for the Cruise ) |
| - SPICAV_GEOMETRY_DESC.LBL   | PDS detached label that describes SPICAV_GEOMETRY_DESC.TXT. (N/A for the Cruise )                                           |
| -SPICAV_UVMODE_DESC.TXT      | ASCII file describing the different operating modes of the UV SPICAV spectrometer.                                          |
| -VEX_ORIENTATION_DESC.TXT    | ASCII file informing on the usage of the spacecraft orientation on VENUS Express ( Not mandatory ).                         |
| -VEX_ORIENTATION_DESC.LBL    | PDS detached label that describes VEX_ORIENTATION_DESC.TXT. ( Not mandatory )                                               |
| - VEX_MISSION_CALENDAR.PDF   | This document aims at providing information about the mission It is a constantly updated document.                          |
| - VEX_MISSION_CALENDAR.LBL   | PDS detached label that describes VEX_MISSION_CALENDAR.PDF                                                                  |



- VEX\_ARCHIVE\_CONVENTIONS.PDF document defining the conventions that apply to the VEX Science Data Archive
- VEX\_ARCHIVE\_CONVENTIONS.LBL PDS detached label that describes VEX\_ARCHIVE\_CONVENTIONS.PDF
- UV\_OPERATION\_MODES.PNG SPICAV UV detector operation modes (figure 2 of EAICD)
- UV\_OPERATION\_MODES.LBL PDS detached label that describes UV\_OPERATION\_MODES.PNG
- SPICAV\_POINTING\_001.TXT document describing the geometry computation
- SPICAV\_POINTING\_001.LBL PDS detached label that describes SPICAV\_POINTING\_001.TXT
- OBSERVATION\_TYPE\_DESC.TXT file giving the definition for the OBSERVATION\_TYPE keyword values.
- OBSERVATION\_TYPE\_DESC.LBL PDS detached label that describes OBSERVATION\_TYPE\_DESC.TXT
- PSS\_2007\_SPICAV\_SOIR.PDF Paper describing SPICAV, in Planetary and Space Science.
- PSS\_2007\_SPICAV\_SOIR.LBL PDS detached label that describes PSS\_2007\_SPICAV\_SOIR.PDF
- NATURE\_2007\_SPICAV\_SOIR.PDF First paper in Nature 2007, describing first results obtained with SPICAV/SOIR instrument data
- NATURE\_2007\_SPICAV\_SOIR.LBL PDS detached label that describes NATURE\_2007\_SPICAV\_SOIR.PDF
- JQSRT\_2008\_12C160180.PDF Detailed spectroscopy of the new band of CO2 isotopologue from SOIR observations in the atmosphere of Venus.
- JQSRT\_2008\_12C160180.LBL PDS detached label that describes JQSRT\_2008\_12C160180.PDF
- JGR\_2006\_SPICAM\_UV.PDF Description of SPICAM UV, almost identical to SPICAV UV.
- JGR\_2006\_SPICAM\_UV.LBL PDS detached label that describes

|  |  |                             |                                                                                                                            |
|--|--|-----------------------------|----------------------------------------------------------------------------------------------------------------------------|
|  |  | JGR_2006_SPICAM_UV.PDF      |                                                                                                                            |
|  |  | - ICARUS_2008_12C160180.PDF | Discovery of a new band of absorption of isotope C016018 in the atmosphere of Venus at 2982 cm <sup>-1</sup> :             |
|  |  | - ICARUS_2008_12C160180.LBL | PDS detached label that describes ICARUS_2008_12C160180.PDF                                                                |
|  |  | - ESA_SP_VEX_SPICAV_P1.PDF  | This paper contains a description of SPICAV scientific objectives                                                          |
|  |  | - ESA_SP_VEX_SPICAV_P1.LBL  | PDS detached label that describes ESA_SP_VEX_SPICAV_P1.PDF                                                                 |
|  |  | - ERRATA.TXT                | The aim of this file is to notify the users about small inconsistencies that might be present in the SPICAV UV/IR dataset. |
|  |  | -[LABEL]                    | A directory containing include (*.FMT) files for data products                                                             |
|  |  | -HEADER_ARRAY.FMT           | Include file containing a description of the header of a UV record.                                                        |

## 6 Annexes.

### 6.1 Annex 1 : Software

Below are examples on how to use and plot the UV data with IDL after being read by the SBN software ( see §2.4.3 ).

#### UV data

```
;   Written by Aurelie Reberac [May 27, 2008]

; The SBN routines read data array and store it in a IDL structure
; readpds.pro is the 'top level' program
; To read a PDS data array, type : data = readpds('data.lbl')
; with 'data.lbl' the label file associated to the 'data.dat' binary file
; containing the data array.
; ** Note: For PDS tables, the IDL routines access the "structure" file
; (.fmt) automatically as long as the "structure" file is in the same
; directory.
;
; The following message will be displayed:
; Now reading RECORD_ARRAY ARRAY/COLLECTION object
; ** Structure <4396440>, 2 tags, length=2532866, data length=2532866,
```

```

; refs=1:
; OBJECTS          INT          1
; RECORD_ARRAY    STRUCT      -> <Anonymous> Array[582]
; To access the RECORD_ARRAY and the different tags, type :
;
; > help,/struct,data.record_array
; ** Structure <183d288>, 1 tags, length=4352, data length=4352, refs=2:
; ONE_SPICAV_UV_RECORD  STRUCT      -> <Anonymous> Array[1]
;
; > help,/struct,data.record_array.one_spicav_uv_record
; ** Structure <1873db0>, 3 tags, length=4352, data length=4352, refs=2:
; HEADER_ARRAY      INT          Array[128]
; DATA_ARRAY       INT          Array[408,5]
; SPARE_ARRAY       INT          Array[8]
;
; > help,/struct,data.record_array.one_spicav_uv_record.header_array
; <Expression>     INT          = Array[128, 582]
;
;select a data label file *.LBL
fn = dialog_pickfile(PATH='E:\VENUS_EXPRESS\SPICAV_PROG\ReadPDS\')
data = readpds(fn)

```

```

;The header_array contains detector parameters values and time of observation
;example to access the header_array of the first and the last record
first_header_array = data.record_array[0].one_spicav_uv_record.header_array
nb_records = N_ELEMENTS(data.record_array)
last_header_array = data.record_array[nb_records-1].one_spicav_uv_record.
                    header_array

```

```

    code_op = first_header_array[40] ;operating code (100:full CCD -
    101/102:5 bands)
    binning = first_header_array[46]
;binning (number of ccd lines analogically summed, 0 =
;    progressive binning)
    nlig = first_header_array[45]
    ncol = first_header_array[44]

```

```

print,'TIME_EXPOSURE',first_header_array[41] ; exposure time
print,'CODE_OP',code_op
print,'Y0',first_header_array[43] ;first line of CCD read
print,'BIN',binning
print,'FIRST TIME',first_header_array[60:66] ; UTC time of first measurement
print,'LAST TIME',last_header_array[60:66] ; UTC time of last measurement

```

```

;The data_array contains 5 CCD "bands" of 408 pixels, corresponding to one
;measurement recorded at one time t

```

```

;example to access the data_array of the first record
first_data_array = data.record_array[0].one_spicav_uv_record.data_array

```

```
;In the ALIGN operating mode (code op = 100), a complete image of the CCD
;can be obtained during the observation by moving the position of the first
;band (=one row) read at each measurement. The initial position (at time t0)
;of the first band is Y0. At time T0+1, the position of the first band becomes
;Y0+4, at time T0+2, Y0+8, at time T0+p Y0+p*4.
;Depending on the duration of the observation, several complete images can
;be obtained.
```

```
;In the BINNING (code_op=101) or PROGRESSIVE BINNING (code_op=102)
;operating mode, each band is a binning of BIN rows, with an identical
;BIN (= 2, 4, 8, 16 OR 32) for each band in the BINNING mode and a
;progressive binning, (band1=2, band2=4, band3=8, band4=16, band5=32)),
;in the PROGRESSIVE BINNING mode.
;In these modes, the CCD position of the bands read is fixed.
;At each measurement, the position of the first band in physical pixel is Y0,
;and the position of the second band is Y0 + BIN, etc..
```

```
;In the BINNING or PROGRESSIVE BINNING mode, a temporal image can be obtained
;for each of the five bands.
```

```
tempoimage_band1 = data.record_array.one_spicav_uv_record.data_array[* ,0]
tempoimage_band2 = data.record_array.one_spicav_uv_record.data_array[* ,1]
tempoimage_band3 = data.record_array.one_spicav_uv_record.data_array[* ,2]
tempoimage_band4 = data.record_array.one_spicav_uv_record.data_array[* ,3]
tempoimage_band5 = data.record_array.one_spicav_uv_record.data_array[* ,4]
```

```
;In the ALIGN operating mode, complete image of the CCD can be obtained
;(290 rows of 408 pixels).
;Note that the increment of the position Y0 of the CCD row read is 4 at each
;new measurement.
;Therefore, the fifth "band" of one measurement corresponds with the first
;"band" of the next measurement.
;To build the image of the CCD, a mean of these 2 bands can be done.
nb_CCDimage = nb_records/(290/4)
nb_CCDimage = nb_CCDimage + 2 ; first and last image can be incomplete
```

```
CCDimages = intarr(ncol, 290, nb_CCDimage)
yoff = intarr(nb_records)
allData = intarr(ncol, nlig*nb_records)
```

```
FOR ij = 0, nb_records-1 DO BEGIN
yoff(ij) = data.record_array[ij].one_spicav_uv_record.header_array[43]
yr = nlig*ij
allData(0:ncol-1, yr:yr+nlig-1) = data.record_array[ij].
                                one_spicav_uv_record.data_array
```

```
ENDFOR
```

```
nim = 0
ypre = 0
```

```

for i = 0, nb_records-1 do begin
    bande = alldata(*,5*i:5*i+4)
    ybande = yoff(i) + indgen(5)

        if ypre gt ybande(0) then nim = nim + 1

for j = 0,4 do begin
    if max(CCDimages(*,ybande(j),nim)) eq 0 then $
        CCDimages(*,ybande(j),nim) = bande(*,j) else $
        CCDimages(*,ybande(j),nim) = (CCDimages(*,ybande(j),nim)
            + bande(*,j))/2.
endfor

    ypre = ybande(0)

endfor

;plots
LOADCT,39
TVLCT,FSC_COLOR('Black',/TRIPLE),0
TVLCT,FSC_COLOR('white',/TRIPLE),1
TVLCT,FSC_COLOR('Red',/TRIPLE),2
TVLCT,FSC_COLOR('Green',/TRIPLE),3
TVLCT,FSC_COLOR('Blue',/TRIPLE),4
TVLCT,FSC_COLOR('Yellow',/TRIPLE),5
TVLCT,FSC_COLOR('magenta',/TRIPLE),6
TVLCT,FSC_COLOR('orange',/TRIPLE),7

!p.background = 1
colorset, RETAIN=2, QUIET=QUIET

window,0
!p.multi = 0
pixel=indgen(408)
plot,pixel,first_data_array[*,0],xrange=[0,407],xstyle=1,color=0
; plot the first band
oplot,pixel,first_data_array[*,1],color=2 ; plot the second band
oplot,pixel,first_data_array[*,2],color=3 ; plot the third band
oplot,pixel,first_data_array[*,3],color=4 ; plot the fourth band
oplot,pixel,first_data_array[*,4],color=6 ; plot the fifth band

window,1

if (code_op eq 101 or code_op eq 102 or (code_op eq 100 and binning eq 1))
then begin
!p.multi =[0,5,1]
    contour,tempoimage_band1,/fill,nlevels=30,xrange=[0,407],xstyle=1,
        title='band1',color=0,xtitle='pixel'
    contour,tempoimage_band2,/fill,nlevels=30,xrange=[0,407],xstyle=1,
        title='band2',color=0,xtitle='pixel'

```

```

contour,tempoimage_band3,/fill,nlevels=30,xrange=[0,407],xstyle=1,
  title='band3',color=0,xtitle='pixel'
contour,tempoimage_band4,/fill,nlevels=30,xrange=[0,407],xstyle=1,
  title='band4',color=0,xtitle='pixel'
contour,tempoimage_band5,/fill,nlevels=30,xrange=[0,407],xstyle=1,
  title='band5',color=0,xtitle='pixel'
endif else begin
!p.multi =[0,3,2]
contour,CCDimages(*,*,0),/fill,nlevels=30,xrange=[0,407],xstyle=1,color=0
if (nb_CCDimage gt 1) then begin
  if (max(CCDimages(*,*,1) ne 0)) then $
    contour,CCDimages(*,*,1),/fill,nlevels=30,xrange=[0,407],
      xstyle=1,color=0
endif
if (nb_CCDimage gt 2)then begin
  if (max(CCDimages(*,*,2) ne 0)) then $
    contour,CCDimages(*,*,2),/fill,nlevels=30,xrange=[0,407],
      xstyle=1,color=0
endif
if (nb_CCDimage gt 3) then begin
  if (max(CCDimages(*,*,3) ne 0)) then $
    contour,CCDimages(*,*,3),/fill,nlevels=30,xrange=[0,407],
      xstyle=1,color=0
endif
if (nb_CCDimage gt 4) then begin
  if (max(CCDimages(*,*,4) ne 0)) then $
    contour,CCDimages(*,*,4),/fill,nlevels=30,xrange=[0,407],
      xstyle=1,color=0
endif
if (nb_CCDimage gt 5) then begin
  if (max(CCDimages(*,*,5) ne 0)) then $
    contour,CCDimages(*,*,5),/fill,nlevels=30,xrange=[0,407],
      xstyle=1,color=0
endif
if (nb_CCDimage gt 6) then begin
  if (max(CCDimages(*,*,6) ne 0)) then $
    contour,CCDimages(*,*,6),/fill,nlevels=30,xrange=[0,407],
      xstyle=1,color=0
endif
endelse

END

```

## 6.2 Annex 2: example of an initial VOLDESC.CAT file of the VEXSPI\_1001 archive volume

```

PDS_VERSION_ID          = PDS3
LABEL_REVISION_NOTE     = "2007-01-09"

```

```

RECORD_TYPE                = FIXED_LENGTH
RECORD_BYTES               = 70
RELEASE_ID                 = 0001
REVISION_ID                = 0000

OBJECT                     = VOLUME
  VOLUME_SERIES_NAME       = "MISSION TO VENUS"
  VOLUME_SET_NAME          = "VENUS SPICAV SPICAV DATA PRODUCTS"
  VOLUME_SET_ID            = FR_IPSLCNRS_SA_VEXSPI_1000
  VOLUME_NAME              = "Volume 1: SPICAV UV VENUS EXPRESS
                           DATA"
  VOLUME_ID                = VEXSPI_1001
  VOLUME_VERSION_ID        = "VERSION 1"
  PUBLICATION_DATE         = 2007-01-09
  VOLUMES                  = 1
  MEDIUM_TYPE              = "ONLINE"
  VOLUME_FORMAT            = "ISO-9660"
  DATA_SET_ID             = "VEX-Y/V-SPI-2-UVEDR-RAWXCRU/VENUS-V1.0"

DESCRIPTION                = "This volume release contains Venus
                              Express SPICAV UV Raw Data Products
                              (level 0A), in ADU units, along
                              with documentation and other
                              ancillary information about the
                              data products."

OBJECT                     = DATA_PRODUCER
  INSTITUTION_NAME         = "SERVICE D'AERONOMIE, IPSL/CNRS,
                              FRANCE"
  FACILITY_NAME            = "N/A"
  FULL_NAME                 = "JEAN-LOUP BERTAUX"
  DISCIPLINE_NAME          = "N/A"
  ADDRESS_TEXT              = "BP3
                              91371 Verrieres le Buisson Cedex
                              France"

END_OBJECT                 = DATA_PRODUCER

OBJECT                     = CATALOG
  ^MISSION_CATALOG         = "MISSION.CAT"
  ^INSTRUMENT_HOST_CATALOG = "INSTHOST.CAT"
  ^INSTRUMENT_CATALOG      = "INST.CAT"
  ^DATA_SET_CATALOG        = "DATASET.CAT"
  ^PERSONNEL_CATALOG       = "PERS.CAT"
  ^DATA_SET_RELEASE_CATALOG = "RELEASE.CAT"
  ^REFERENCE_CATALOG       = "REFS.CAT"
  ^TARGET_CATALOG          = "TARGET.CAT"
  ^SOFTWARE_CATALOG        = "SWINV.CAT"
END_OBJECT                 = CATALOG

END_OBJECT                 = VOLUME

```

END

6.3 Annex3: Example of RELEASE.CAT for the initial release  
(RELEASE\_ID=0001, REVISION\_ID=0000 )

```
PDS_VERSION_ID      = PDS3
LABEL_REVISION_NOTE = "A. REBERAC, 2005-01-21 (original)
                      C. NEHME, 2007-01-07 (revision)"
RECORD_TYPE         = STREAM
RELEASE_ID           = 0001
REVISION_ID         = 0000

OBJECT              = DATA_SET_RELEASE
  DATA_SET_ID      = "VEX-Y/V-SPI-2-UVEDR-RAWXCRU/VENUS-V1.0"
  RELEASE_ID        = 0001
```

```
DESCRIPTION          = "
  This release contains the digital numbers (DN) contained in the
  telemetry (TM) packages of the UV SPICAV instrument on board of
  spacecraft Venus Express. Data have not been further converted or
  calibrated. This release contains data from the cruise phase of
  the s/c including all data from Interplanetary Cruise (IC) phase
  from November 2006 until April 2006.
```

Revision 0000 contains the original delivery. "

```
OBJECT              = REVISION
  REVISION_ID        = 0000
  REVISION_DATE      = NULL
  REVISION_MEDIA     = "ONLINE"
  DESCRIPTION        = "FIRST DELIVERY: RELEASE 0001,
                      REVISION: 0000"
END_OBJECT          = REVISION
```

```
END_OBJECT          = DATA_SET_RELEASE
```

END

6.4 Annex 4: RELEASE.CAT example for RELEASE\_ID=0001,  
REVISION\_ID=0001

```
PDS_VERSION_ID      = PDS3
LABEL_REVISION_NOTE = "A. REBERAC, 2005-01-21 (original)
                      C. NEHME, 2007-01-07 (revision)"
RECORD_TYPE         = STREAM
RELEASE_ID           = 0001
REVISION_ID         = 0000
```



OBJECT = DATA\_SET\_RELEASE  
DATA\_SET\_ID = "VEX-Y/V-SPI-2-UVEDR-RAWXCRU/VENUS-V1.0"  
RELEASE\_ID = 0001

DESCRIPTION = "  
This release contains the digital numbers (DN) contained in the  
telemetry (TM) packages of the UV SPICAV instrument on board of  
spacecraft Venus Express. Data have not been further  
converted or calibrated. This release contains data from the  
cruise phase of the s/c including all data from Interplanetary  
Cruise (IC) phase from November 2006 until April 2006.

Revision 0000 contains the original delivery. "

OBJECT = REVISION  
REVISION\_ID = 0000  
REVISION\_DATE = NULL  
REVISION\_MEDIA = "ONLINE"  
DESCRIPTION = "FIRST DELIVERY: RELEASE 0001,REVISION: 0000"  
END\_OBJECT = REVISION

OBJECT = REVISION  
REVISION\_ID = 0001  
REVISION\_DATE = NULL  
REVISION\_MEDIA = "ONLINE"  
DESCRIPTION = "Update of geometry files content.RELEASE 0001,  
REVISION: 0001"  
END\_OBJECT =  
REVISION

END\_OBJECT = DATA\_SET\_RELEASE

END

6.5 Annex 5: Geometry file header example.

UV Geocalcvex, version= 01 September 01st of 2011

Geo File = SPIV\_0AU\_1891A04\_N\_GO\_01.TXT

Contents of metakernel file

KPL/MK

This is the meta-kernel for Venus

\begindata

PATH\_VALUES = ( '/net/nfs/spicav/orbito/spice/kernels' )

PATH\_SYMBOLS = ( 'KER\_PATH' )

KERNELS\_TO\_LOAD = ( '\$KER\_PATH/lsk/NAIF0009.TLS',  
 '\$KER\_PATH/sclk/VEX\_110906\_STEP.TSC',  
 '\$KER\_PATH/spk/DE405.BSP',  
 '\$KER\_PATH/pck/PCK00009.TPC',  
 '\$KER\_PATH/fk/VEX\_V09.TF',  
 '\$KER\_PATH/fk/RSSD0002.TF',  
 '\$KER\_PATH/pck/DE403-MASSES.TPC',  
 '\$KER\_PATH/spk/ORHV\_\_\_\_\_00030.BSP',  
 '\$KER\_PATH/spk/ORVV\_\_060409211524\_00039.BSP',  
 '\$KER\_PATH/spk/ORVV\_\_060501000000\_00048.BSP',  
 '\$KER\_PATH/spk/ORVV\_\_060601000000\_00054.BSP',  
 '\$KER\_PATH/spk/ORVV\_\_060701000000\_00063.BSP',  
 '\$KER\_PATH/spk/ORVV\_\_060801000000\_00068.BSP',  
 '\$KER\_PATH/spk/ORVV\_\_060901000000\_00075.BSP',  
 '\$KER\_PATH/spk/ORVV\_\_061001000000\_00081.BSP',  
 '\$KER\_PATH/spk/ORVV\_\_061101000000\_00086.BSP',  
 '\$KER\_PATH/spk/ORVV\_\_061201000000\_00093.BSP',  
 '\$KER\_PATH/spk/ORVV\_\_070101000000\_00097.BSP',  
 '\$KER\_PATH/spk/ORVV\_\_070201000000\_00102.BSP',  
 '\$KER\_PATH/spk/ORVV\_\_070301000000\_00109.BSP',  
 '\$KER\_PATH/spk/ORVV\_\_070401000000\_00114.BSP',  
 '\$KER\_PATH/spk/ORVV\_\_070501000000\_00119.BSP',  
 '\$KER\_PATH/spk/ORVV\_\_070601000000\_00125.BSP',  
 '\$KER\_PATH/spk/ORVV\_\_070701000000\_00131.BSP',  
 '\$KER\_PATH/spk/ORVV\_\_070801000000\_00135.BSP',  
 '\$KER\_PATH/spk/ORVV\_\_070901000000\_00143.BSP',  
 '\$KER\_PATH/spk/ORVV\_\_071001000000\_00147.BSP',  
 '\$KER\_PATH/spk/ORVV\_\_071101000000\_00152.BSP',  
 '\$KER\_PATH/spk/ORVV\_\_071201000000\_00158.BSP',  
 '\$KER\_PATH/spk/ORVV\_\_080101000000\_00164.BSP',  
 '\$KER\_PATH/spk/ORVV\_\_080201000000\_00169.BSP',  
 '\$KER\_PATH/spk/ORVV\_\_080301000000\_00175.BSP',  
 '\$KER\_PATH/spk/ORVV\_\_080401000000\_00179.BSP',  
 '\$KER\_PATH/spk/ORVV\_\_080501000000\_00208.BSP',  
 '\$KER\_PATH/spk/ORVV\_\_080601000000\_00188.BSP',  
 '\$KER\_PATH/spk/ORVV\_\_080701000000\_00194.BSP',  
 '\$KER\_PATH/spk/ORVV\_\_080801000000\_00200.BSP',  
 '\$KER\_PATH/spk/ORVV\_\_080901000000\_00205.BSP',  
 '\$KER\_PATH/spk/ORVV\_\_081001000000\_00210.BSP',  
 '\$KER\_PATH/spk/ORVV\_\_081101000000\_00219.BSP',  
 '\$KER\_PATH/spk/ORVV\_\_081201000000\_00222.BSP',  
 '\$KER\_PATH/spk/ORVV\_\_090101000000\_00229.BSP',  
 '\$KER\_PATH/spk/ORVV\_\_090201000000\_00234.BSP',  
 '\$KER\_PATH/spk/ORVV\_\_090301000000\_00239.BSP',  
 '\$KER\_PATH/spk/ORVV\_\_090401000000\_00243.BSP',  
 '\$KER\_PATH/spk/ORVV\_\_090501000000\_00247.BSP',  
 '\$KER\_PATH/spk/ORVV\_\_090601000000\_00252.BSP',

'\$KER\_PATH/spk/ORVV\_\_090701000000\_00259.BSP',  
'\$KER\_PATH/spk/ORVV\_\_090801000000\_00262.BSP',  
'\$KER\_PATH/spk/ORVV\_\_090901000000\_00267.BSP',  
'\$KER\_PATH/spk/ORVV\_\_091001000000\_00273.BSP',  
'\$KER\_PATH/spk/ORVV\_\_091101000000\_00281.BSP',  
'\$KER\_PATH/spk/ORVV\_\_091201000000\_00282.BSP',  
'\$KER\_PATH/spk/ORVV\_\_100101000000\_00287.BSP',  
'\$KER\_PATH/spk/ORVV\_\_100201000000\_00292.BSP',  
'\$KER\_PATH/spk/ORVV\_\_100301000000\_00296.BSP',  
'\$KER\_PATH/spk/ORVV\_\_100401000000\_00301.BSP',  
'\$KER\_PATH/spk/ORVV\_\_100501000000\_00304.BSP',  
'\$KER\_PATH/spk/ORVV\_\_100601000000\_00309.BSP',  
'\$KER\_PATH/spk/ORVV\_\_100701000000\_00316.BSP',  
'\$KER\_PATH/spk/ORVV\_\_100801000000\_00320.BSP',  
'\$KER\_PATH/spk/ORVV\_\_100901000000\_00327.BSP',  
'\$KER\_PATH/spk/ORVV\_\_101001000000\_00332.BSP',  
'\$KER\_PATH/spk/ORVV\_\_101101000000\_00338.BSP',  
'\$KER\_PATH/spk/ORVV\_\_101201000000\_00342.BSP',  
'\$KER\_PATH/spk/ORVV\_\_110101000000\_00346.BSP',  
'\$KER\_PATH/spk/ORVV\_\_110201000000\_00352.BSP',  
'\$KER\_PATH/spk/ORVV\_\_110301000000\_00357.BSP',  
'\$KER\_PATH/spk/ORVV\_\_110401000000\_00363.BSP',  
'\$KER\_PATH/spk/ORVV\_\_110501000000\_00367.BSP',  
'\$KER\_PATH/spk/ORVV\_\_110601000000\_00372.BSP',  
'\$KER\_PATH/spk/ORVV\_\_110701000000\_00379.BSP',  
'\$KER\_PATH/spk/ORVV\_\_110801000000\_00382.BSP',  
'\$KER\_PATH/spk/ORVV\_\_110901000000\_00386.BSP',  
'\$KER\_PATH/spk/ORVV\_\_111001000000\_00386.BSP',  
'\$KER\_PATH/ck/ATNV\_P051109051109\_00386.BC')

\begintext

SUN...

1 AU (from Near Earth Objects Program) = 149 597 870.691 km

LS (deg) at first time 2011-06-25T02:42:19.650: 333.326

SUN apparent position on planet (IAU\_VENUS) at first time: Long (deg),

Lat (deg), Dist (AU) : 166.449, -0.027, 0.7219

SUN ra, dec (deg, EMEJ2000) at first time : 236.391, -18.762

TARGET... NAD/LIMB

CENTER of slit, mechanical offsets in SC axes (in degrees) : 177.553 89.779

UV: codop, x0(first CCD column read), y0(first CCD line read), binning value  
for each band, width, height : 100 0 141 1 1 1 1 1 408 5

Parameters definition...

1stB, 2ndB, 3rdB, 4thB, and 5thB are center of UV Bands (binning included).

For all kind of observations, the line of sight (LOS) emanating from the  
center of a UV band is defined by SC attitude.

In the case of star observations, geometry parameters are also computed for a  
LOS emanating from the UV CCD center,

but defined by S/C position and Star direction. (This LOS is called LOSE in the following description of parameters to distinguish from LOS defined by SC attitude).

Planproj is the projection plane (u,v,w frame) defined as the plane at the nearest point on VENUS to vdir and perpendicular to vdir (view direction from VEX); with w = -vdir , v = North pole, u = right handed.

The view direction is LOS emanating from the center of the CCD and defined by SC attitude.

Time UTC (A23) + (I5, F9.1, 2F8.2, F7.1, F8.2, F7.2, F7.1, F10.1, F11.2, F8.2, 2F9.3, F7.2, 2F8.2, F6.2, F7.2, 2F10.1, F7.2, F8.2, F7.2, F11.2, 2F9.3, F8.2, F7.2, F11.2, 2F9.3, F8.2, F7.2, F11.2, 2F9.3, F8.2, F7.2, F11.2, 2F9.3, 9F11.6, F8.2, F8.2, 10F10.2, 6F8.2)

Number of parameters (without Time): 68

Reference number in geometry software, Column number, Label

- 0 1 Record number
- 19 2 Altitude of the spacecraft above PLANET ellipsoid (in km, IAU\_VENUS)
- 17 3 Longitude of the sub-spacecraft point (in degrees, increases toward East from 0 to 360, IAU\_VENUS)
- 18 4 Latitude of the sub-spacecraft point (in degrees, IAU\_VENUS)
- 20 5 Solar Zenith Angle at sub-spacecraft point (in degrees, IAU\_VENUS)
- 141 6 Longitude of nearest point on VENUS ellipsoid to LOS emanating from the center of 3rdB band (in degrees, IAU\_VENUS)
- 142 7 Latitude of nearest point on VENUS ellipsoid to LOS emanating from the center of 3rdB band (in degrees, IAU\_VENUS)
- 145 8 Solar zenith angle at nearest point on VENUS ellipsoid to LOS emanating from the center of 3rdB band (in degrees, IAU\_VENUS)
- 144 9 Distance from VEX to nearest point on VENUS ellipsoid to LOS emanating from the center of 3rdB band (in kms, IAU\_VENUS, < 0 if behind SC)
- 143 10 Altitude above the nearest point on VENUS ellipsoid of LOS emanating from the center of 3rdB band (in kms, IAU\_VENUS, < 0 IF intersection)
- 146 11 Pixel (0.01 deg) size at nearest point on VENUS ellipsoid to LOS emanating from the center of 3rdB band (in kms, IAU\_VENUS)
- 147 12 Right ascension of LOS emanating from the center of 3rdB band (in degrees, EMEJ2000)
- 148 13 Declination of LOS emanating from the center of 3rdB band (in degrees, EMEJ2000)
- 149 14 Angle between S/C-SUN vector and LOS emanating from the center of 3rdB band (in degrees, IAU\_VENUS)
- 150 15 Phase angle between the SUN and the Observer measured at the nearest point on VENUS ellipsoid to LOS emanating from the center of 3rdB band (in degrees)
- 151 16 Solar incidence angle between SUN and Normal at nearest point on VENUS ellipsoid to LOS emanating from the center of 3rdB band (in degrees)
- 152 17 Solar local time at nearest point on VENUS ellipsoid to LOS emanating from the center of 3rdB band (in degrees)
- 153 18 Emission angle between Normal and Observer at nearest point on VENUS ellipsoid to LOS emanating from the center of 3rdB band (in degrees)
- 155 19 Distance between the nearest point on LOS emanating from the center of

3rdB band (in degrees) and center of VENUS (in kms)  
154 20 Distance between VEX position and center of VENUS (in kms)  
156 21 Azimut of SUN in VEX axes (relative to X, in degrees)  
101 22 Longitude of nearest point on VENUS ellipsoid to LOS emanating from the center of 1stB band (in degrees, IAU\_VENUS)  
102 23 Latitude of nearest point on VENUS ellipsoid to LOS emanating from the center of 1stB band (in degrees, IAU\_VENUS)  
103 24 Altitude above the nearest point on VENUS ellipsoid of LOS emanating from the center of 1stB band (in kms, IAU\_VENUS, < 0 IF intersection)  
107 25 Right ascension of LOS emanating from the center of 1stB band (in degrees, EMEJ2000)  
108 26 Declination of LOS emanating from the center of 1stB band (in degrees, EMEJ2000)  
121 27 Longitude of nearest point on VENUS ellipsoid to LOS emanating from the center of 2ndB band (in degrees, IAU\_VENUS)  
122 28 Latitude of nearest point on VENUS ellipsoid to LOS emanating from the center of 2ndB band (in degrees, IAU\_VENUS)  
123 29 Altitude above the nearest point on VENUS ellipsoid of LOS emanating from the center of 2ndB band (in kms, IAU\_VENUS, < 0 IF intersection)  
127 30 Right ascension of LOS emanating from the center of 2ndB band (in degrees, EMEJ2000)  
128 31 Declination of LOS emanating from the center of 2ndB band (in degrees, EMEJ2000)  
161 32 Longitude of nearest point on VENUS ellipsoid to LOS emanating from the center of 4thB band (in degrees, IAU\_VENUS)  
162 33 Latitude of nearest point on VENUS ellipsoid to LOS emanating from the center of 4thB band (in degrees, IAU\_VENUS)  
163 34 Altitude above the nearest point on VENUS ellipsoid of LOS emanating from the center of 4thB band (in kms, IAU\_VENUS, < 0 IF intersection)  
167 35 Right ascension of LOS emanating from the center of 4thB band (in degrees, EMEJ2000)  
168 36 Declination of LOS emanating from the center of 4thB band (in degrees, EMEJ2000)  
181 37 Longitude of nearest point on VENUS ellipsoid to LOS emanating from the center of 5thB band (in degrees, IAU\_VENUS)  
182 38 Latitude of nearest point on VENUS ellipsoid to LOS emanating from the center of 5thB band (in degrees, IAU\_VENUS)  
183 39 Altitude above the nearest point on VENUS ellipsoid of LOS emanating from the center of 5thB band (in kms, IAU\_VENUS, < 0 IF intersection)  
187 40 Right ascension of LOS emanating from the center of 5thB band (in degrees, EMEJ2000)  
188 41 Declination of LOS emanating from the center of 5thB band (in degrees, EMEJ2000)  
87 42 X component of the unit inertial pointing vector (1,0,0) in VEX coordinates relative to IAU\_VENUS frame  
88 43 Y component of the unit inertial pointing vector (1,0,0) in VEX coordinates relative to IAU\_VENUS frame  
89 44 Z component of the unit inertial pointing vector (1,0,0) in VEX coordinates relative to IAU\_VENUS frame  
90 45 X component of the unit inertial pointing vector (0,1,0) in VEX coordinates relative to IAU\_VENUS frame

```

91 46 Y component of the unit inertial pointing vector (0,1,0) in VEX
coordinates relative to IAU_VENUS frame
92 47 Z component of the unit inertial pointing vector (0,1,0) in VEX
coordinates relative to IAU_VENUS frame
93 48 X component of the unit inertial pointing vector (0,0,1) in VEX
coordinates relative to IAU_VENUS frame
94 49 Y component of the unit inertial pointing vector (0,0,1) in VEX
coordinates relative to IAU_VENUS frame
95 50 Z component of the unit inertial pointing vector (0,0,1) in VEX
coordinates relative to IAU_VENUS frame
312 51 Angle between the S/C X axis and the local verticale at VENUS
Nearest Point (in degrees)
301 52 Angle between the projection plane U axis and the S/C X axis projected
on this plane (in degrees)
302 53 P1 u horizon point component in Planproj
303 54 P1 v horizon point component in Planproj
304 55 P2 u horizon point component in Planproj
305 56 P2 v horizon point component in Planproj
306 57 P3 u horizon point component in Planproj
307 58 P3 v horizon point component in Planproj
308 59 P4 u horizon point component in Planproj
309 60 P4 v horizon point component in Planproj
310 61 P5 u horizon point component in Planproj
311 62 P5 v horizon point component in Planproj
320 63 X ra component of transformation matrix from IAU_VENUS to EMEJ2000
321 64 X dec component of transformation matrix from IAU_VENUS to EMEJ2000
322 65 Y ra component of transformation matrix from IAU_VENUS to EMEJ2000
323 66 Y dec component of transformation matrix from IAU_VENUS to EMEJ2000
324 67 Z ra component of transformation matrix from IAU_VENUS to EMEJ2000
325 68 Z dec component of transformation matrix from IAU_VENUS to EMEJ2000

-- End Comments

```

## 6.6 Annex 6: Example of level 0A UV data product

```
PDS_VERSION_ID = PDS3
```

```

/* FILE_RECORDS = n */
/* RECORD_BYTES = 256+4080+16 */
/*
/*
/* ----- record 1 -----
/*          HEADER_ARRAY
/*          =256 bytes
/*
/* -----
/*          DATA_ARRAY
/*          =4080 bytes
/*
/* -----
/*          SPARE_ARRAY
/*

```

```

/*          |          =16 bytes          |          */
/*          |-----|          |          */
/*    ...   |          ...           |          */
/*          |-----|          |          */
/*          |          record n       |          */
/*          |          HEADER_ARRAY    |          */
/*          |          =256 bytes      |          */
/*          |-----|          |          */
/*          |          DATA_ARRAY     |          */
/*          |          =4080 bytes     |          */
/*          |-----|          |          */
/*          |          SPARE_ARRAY     |          */
/*          |          =16 bytes       |          */
/*          |-----|          |          */

```

```

/* FILE CHARACTERISTICS DATA ELEMENTS */
RECORD_TYPE          = FIXED_LENGTH
RECORD_BYTES        = 4352
FILE_RECORDS        = 374

```

```

/* DATA OBJECT POINTERS IDENTIFICATION DATA ELEMENTS */
^RECORD_ARRAY       = "SPIV_0AU_P104A01_Y_04.DAT"

```

```

FILE_NAME           = "SPIV_0AU_P104A01_Y_04.DAT"
DATA_SET_ID         = "VEX-Y/V-SPI-2-UVEDR-RAWXCRU/VENUS-V1.0"
DATA_SET_NAME       = "VEX SPICAV CRUISE/VENUS UV EDR-RAW V1.0"
RELEASE_ID          = 0001
REVISION_ID         = 0000
DISTRIBUTION_TYPE   = DATA

```

```

PRODUCT_ID          = "SPIV_0AU_P104A01_Y_04.DAT"
PRODUCT_CREATION_TIME = 2007-07-05T11:42:14.000
MISSION_NAME        = "VENUS EXPRESS"
MISSION_ID           = VEX
INSTRUMENT_HOST_NAME = "VENUS EXPRESS"
INSTRUMENT_HOST_ID  = VEX
MISSION_PHASE_NAME  = "VOI"

```

```

TARGET_NAME         = "SKY"
TARGET_TYPE          = "N/A"
SPACECRAFT_POINTING_MODE = "INERT"
SPACECRAFT_POINTING_MODE_DESC = "This pointing mode is used to point the
instrument platform towards a fixed
direction in right ascension and declination."
RIGHT_ASCENSION     = 306.17
DECLINATION          = 61.63

```





```

INTERCHANGE_FORMAT      = BINARY
AXES                    = 1
AXIS_ITEMS              = 374
DESCRIPTION              = "This file contains all records of a UV SPICAV
                           observation. A record is described by a COLLECTION
                           object."

OBJECT                  = COLLECTION
  NAME                  = "ONE SPICAV UV RECORD"
  BYTES                 = 4352
  DESCRIPTION           = "One spicav UV record contains all the header and
                           data information from one spicav UV integration
                           result of one sequence of measurement. The header
                           length is 256 (HEADER_ARRAY) and the data length
                           is 4080 (DATA_ARRAY). The last 16 bytes are
                           ignored (SPARE_ARRAY)."
```

```

OBJECT                  = HEADER_ARRAY
  ^STRUCTURE            = "HEADER_ARRAY.FMT"
END_OBJECT              = HEADER_ARRAY
```

```

OBJECT                  = DATA_ARRAY
  NAME                  = "DATA ARRAY"
  AXES                  = 2
  AXIS_ITEMS            = (408,5)
  AXIS_NAME              = (SAMPLE,BAND)
  START_BYTE            = 257
  DESCRIPTION           = " A data table is contained in the last 4096
                           bytes of each EDR SPICAV record. More exactly,
                           the valid data table consists in a array of 5
                           rows and 408 columns(2040*2 bytes) representing
                           a band of 5 rows of the CCD,each row containing
                           408 pixels."
```

```

OBJECT                  = ELEMENT
  NAME                  = "DN PIXEL VALUE"
  DESCRIPTION           = "Pixel of a line of the CCD - the DN pixel value
                           describes the value of analog to digital
                           conversion of the charged collected by one pixel
                           of a CCD during the integration time as a
                           digital number"
  DATA_TYPE            = LSB_INTEGER
  BYTES                 = 2
END_OBJECT              = ELEMENT
```

```

END_OBJECT              = DATA_ARRAY
```

```

OBJECT                  = SPARE_ARRAY
  NAME                  = "SPARE ARRAY"
  AXES                  = 1
```





TARGET\_NAME = "STAR"  
TARGET\_TYPE = "STAR"

SPACECRAFT\_POINTING\_MODE = "INERT"  
SPACECRAFT\_POINTING\_MODE\_DESC = "This pointing mode is used to point the instrument platform towards a fixed direction in right ascension and declination."

RIGHT\_ASCENSION = 81.57  
DECLINATION = 28.61

VEX:SCIENCE\_CASE\_ID = 5  
VEX:SCIENCE\_CASE\_ID\_DESC = "Please refer to VEX\_SCIENCE\_CASE\_ID\_DESC.TXT in the DOCUMENT directory"

OBSERVATION\_TYPE = {AD001B, AS001B, AC001B, AC004B, AC006B, CL004B}

PRODUCT\_TYPE = EDR  
PROCESSING\_LEVEL\_ID = 2  
STANDARD\_DATA\_PRODUCT\_ID = RAWX  
START\_TIME = 2006-06-12T02:12:17.710  
STOP\_TIME = 2006-06-12T02:21:53.710  
SPACECRAFT\_CLOCK\_START\_COUNT = 1/0040443137.20518  
SPACECRAFT\_CLOCK\_STOP\_COUNT = 1/0040443713.20513  
ORBIT\_NUMBER = 0052  
ORBITAL\_ECCENTRICITY = 0.83908938  
ORBITAL\_INCLINATION = 83.196331  
ORBITAL\_SEMIMAJOR\_AXIS = 72856.722  
PERIAPSIS\_ALTITUDE = 6350.8217  
PERIAPSIS\_ARGUMENT\_ANGLE = 122.91984  
PERIAPSIS\_TIME = 2006-06-12T01:45:25.000  
PRODUCER\_ID = VEX\_SPI\_TEAM  
PRODUCER\_FULL\_NAME = "JEAN-LOUP BERTAUX"  
PRODUCER\_INSTITUTION\_NAME = "SERVICE D'AERONOMIE, IPSL/CNRS, FRANCE"  
INSTRUMENT\_ID = SPICAV  
INSTRUMENT\_NAME = "SPICAV"  
INSTRUMENT\_TYPE = "SPECTROMETER"  
DESCRIPTION = "This file contains a general header and a frequency array followed by all records of a IR SPICAV observation. A measurement requires several communication sessions to collect and transmit measurement data (a spectrum). Sessions of one spectrum are collected and transmitted in one measurement cycle. Each record consists of first a header providing the time of the beginning of the measurement cycle, satellite parameters and six system monitor's values measured one time at the beginning of each measurement cycle. This header is then followed by detector 0 and/or 1 spectra."

DATA\_QUALITY\_ID = -1

```

DATA_QUALITY_DESC          = "defined in DATA_QUALITY_DESC.TXT"
/* INSTRUMENT AND DETECTOR DESCRIPTIVE DATA ELEMENTS      */
CHANNEL_ID                 = "IR"

/* SPICAV IR COMMAND PARAMETERS - DEFINITIONS AND VALUES */
/* COMMAND_MODE = (EXIT,SOURCE,DETS,SWAP_DETS,TIME)          */
/* EXIT - A bit specifying a lab mode (bit set to 0) or a flight mode */
/*       (bit set to 1)   */
/* SOURCE - A bit specifying a host command (bit set to 0) or a ROM */
/*          command (bit set to 1). A host command is received from the */
/*          memory of host computer, a ROM command is a command stored in */
/*          program controller and invoked by host command.        */
/* DETS - Detectors used for spectrum measurement : 0- detector 0 only, */
/*        1- detector 1 only, 2- both detector 0 and detector 1,      */
/*        3- detector 0 and AOTF RF power.                          */
/* SWAP_DETS - This bit specifies ADC Channels (0 and 1) that are used */
/*             to measure output signals of detectors 0 and 1. Detectors */
/*             swapping is implemented for a higher reliability        */
/* TIME - AOTF chopping period : 0- 1.4 ms, 1- 2.8 ms, 2- 5.6 ms,    */
/*        3- 11.2 ms   */
/* COMMAND_DAC = (DAC, GAINBOOST, GAIN)                          */
/* DAC - AOTF power control : 0...255.                            */
/*       DAC value = 16*RF power control                          */
/* GAINBOOST - defines the gain of amplification stage: 0-1 , 1-4    */
/* GAIN - Amplifiers gain factor : 0- 1, 1- 3, 2- 8.25, 3- 26      */
/*
/* COMMAND_WINDOW0 = (FREQUENCY_OFFSET,FREQUENCY_RANGE,POINTS,STEP) */
/* Three windows are specified in a command and are characterized by 4 */
/* values FREQUENCY_OFFSET,FREQUENCY_RANGE,POINTS,STEP              */
/* FREQUENCY_OFFSET = difference between the start frequency of a */
/*                   window and a reference frequency              */
/*                   (4375 frequency step = 4375 * 16 KHZ )      */
/*                   ( = 70 MHZ )                                */
/* FREQUENCY_RANGE = range of wave frequencies = 1: LW (Long Wave) */
/*                   70 to 140 MHZ                               */
/*                   2: SW (Short Wave)                          */
/*                   140 to 280 MHZ                              */
/* The start frequency of a window (i= 0, 1 or 2) is defined as:  */
/* start_freq_i = (ref_freq + freq_offi*16) * freq_step*freq_rangei) */
/* With:      start_freq_i   start frequency of window i          */
/*            ref_freq       reference frequency                  */
/*            ( 4375 or 70 MHz for SPICAV)                       */
/*            ( 5200 or 83.2 MHz for SPICAM)                     */
/*            freq_step      minimum frequency step = 16 MHz     */
/*            freq_offi      frequency offset (in frequency step) */
/*            freq_range_i   frequency range = 1 for LW range    */
/*                           (70 to 140 MHZ SPICAV)              */
/*                           (80 to 140 MHZ SPICAM)              */
/*                           2 for SW range (140 to 280 MHz) */
/*                           only for SPICAV)                    */

```

```

/* POINTS - Number of measured spectrum points in the window: 0..4095 */
/* Zero points number means that the window has not been processed */
/* STEP - Determines frequency step between points. Frequency increment */
/* is STEP*1.0e-3 in MHz, with STEP:0..15. Zero step means that all */
/* the spectrum points have been measured at the same frequency */
/* (time evolution of the spectrum) */
/* */
/* COMMAND_CONFIG = (COMMAND_DESCRIPTOR,DOTS_DESCRIPTOR) */
/* COMMAND_DESCRIPTOR - A set of 32 predefined commands is stored in */
/* program memory (ROM commands). COMMAND_DESCRIPTOR field is a number */
/* (adress) of the command in this set. The addressed command can be */
/* activated by setting COMMAND_MODE_SOURCE bit of host command. */
/* DOTS_DESCRIPTOR -Along with spectrum measurement in three frequency */
/* frequency windows a set of specturm dots can be obtained during */
/* measurement cycle. Each dot represents a few adjacent spectrum points */
/* and can be viewed as a small window with predefined starting */
/* frequency, points number and frequency step. Height various sets of */
/* spectrum dots are predefined and each set has a unique number : */
/* DOTS_DESCRIPTOR. A zero value is reserved for 'no dots' measurement */
/* configuration. */

```

```

VEX:SPICAV_IR_COMMAND_MODE = (1,1,2,0,2)
VEX:SPICAV_IR_COMMAND_DAC = (3840,1,1)
VEX:SPICAV_IR_COMMAND_WINDOW0 = (35.000,1.000,3320,1.000)
VEX:SPICAV_IR_COMMAND_WINDOW1 = (0.000,2.000,2656,1.000)
VEX:SPICAV_IR_COMMAND_WINDOW2 = (68.000,1.000,0,0.000)
VEX:SPICAV_IR_COMMAND_CONFIG = (6,0)

```

```

/* ACTIVE_CHANNELS - Number of channels activated */
/* EXPECTED_POINTS - Number of expected points by spectrum */
/* NUMBER_SPECTRA - Number of spectra in the sequence of measurement */
/* NUMBER_SESSIONS - Number of sessions by spectrum */

```

```

VEX:SPICAV_IR_ACTIVE_CHANNELS = 2
VEX:SPICAV_IR_EXPECTED_POINTS = 5976
VEX:SPICAV_IR_NUMBER_SPECTRA = 17
VEX:SPICAV_IR_NUMBER_SESSIONS = 18

```

```

/* DATA OBJECT POINTERS IDENTIFICATION DATA ELEMENTS */

```

```

^FREQUENCY_ARRAY = ("SPIV_0BR_0052A04_E_04.DAT",101<BYTES>)
^RECORD_ARRAY = ("SPIV_0BR_0052A04_E_04.DAT",24005<BYTES>)

```

```

/* DATA OBJECTS DEFINITION */

```

```

OBJECT = FREQUENCY_ARRAY
NAME = "FREQUENCY ARRAY"
INTERCHANGE_FORMAT = BINARY
DESCRIPTION = "Frequency array associated to each spectrum."

```

```

AXES                = 1
AXIS_ITEMS         = 5976

OBJECT             = ELEMENT
  BYTES            = 4
  DATA_TYPE       = PC_REAL
  NAME             = "frequency value"
END_OBJECT         = ELEMENT

END_OBJECT         = FREQUENCY_ARRAY

OBJECT             = RECORD_ARRAY
  NAME             = "SPICAV IR RECORD ARRAY"
  INTERCHANGE_FORMAT = BINARY
  AXES             = 1
  AXIS_ITEMS       = 17
  DESCRIPTION      = "This array contains all records of a IR SPICAV
                    observation."

OBJECT             = COLLECTION
  NAME             = "ONE_SPICAV_IR_RECORD"
  BYTES            = 47866
  DESCRIPTION      = "A record is described by a COLLECTION object
                    containing 18 elements, providing time,
                    satellites parameters and system
                    monitor's values information at the beginning of
                    each communication cycle, and one data array
                    containing the spectrum points recorded by the
                    detectors."

OBJECT             = ELEMENT
  NAME             = YEAR
  DATA_TYPE       = LSB_INTEGER
  START_BYTE       = 1
  BYTES            = 2
  DESCRIPTION      = "year of time at the beginning of each measurement
                    cycle"
END_OBJECT         = ELEMENT

OBJECT             = ELEMENT
  NAME             = MONTH
  DATA_TYPE       = LSB_INTEGER
  START_BYTE       = 3
  BYTES            = 2
  DESCRIPTION      = "month of time at the beginning of each measurement
                    cycle"
END_OBJECT         = ELEMENT

OBJECT             = ELEMENT

```

|             |                                                                                               |
|-------------|-----------------------------------------------------------------------------------------------|
| NAME        | = DAY                                                                                         |
| DATA_TYPE   | = LSB_INTEGER                                                                                 |
| START_BYTE  | = 5                                                                                           |
| BYTES       | = 2                                                                                           |
| DESCRIPTION | = "day of time at the beginning of each measurement cycle"                                    |
| END_OBJECT  | = ELEMENT                                                                                     |
| OBJECT      | = ELEMENT                                                                                     |
| NAME        | = HOUR                                                                                        |
| DATA_TYPE   | = LSB_INTEGER                                                                                 |
| START_BYTE  | = 7                                                                                           |
| BYTES       | = 2                                                                                           |
| DESCRIPTION | = "hour of time at the beginning of each measurement cycle"                                   |
| END_OBJECT  | = ELEMENT                                                                                     |
| OBJECT      | = ELEMENT                                                                                     |
| NAME        | = MINUTE                                                                                      |
| DATA_TYPE   | = LSB_INTEGER                                                                                 |
| START_BYTE  | = 9                                                                                           |
| BYTES       | = 2                                                                                           |
| DESCRIPTION | = "minute of time at the beginning of each measurement cycle"                                 |
| END_OBJECT  | = ELEMENT                                                                                     |
| OBJECT      | = ELEMENT                                                                                     |
| NAME        | = SECOND                                                                                      |
| DATA_TYPE   | = LSB_INTEGER                                                                                 |
| START_BYTE  | = 11                                                                                          |
| BYTES       | = 2                                                                                           |
| DESCRIPTION | = "second of time at the beginning of each measurement cycle"                                 |
| END_OBJECT  | = ELEMENT                                                                                     |
| OBJECT      | = ELEMENT                                                                                     |
| NAME        | = CENTISECOND                                                                                 |
| DATA_TYPE   | = LSB_INTEGER                                                                                 |
| START_BYTE  | = 13                                                                                          |
| BYTES       | = 2                                                                                           |
| DESCRIPTION | = "centisecond of time at the beginning of each measurement cycle"                            |
| END_OBJECT  | = ELEMENT                                                                                     |
| OBJECT      | = ELEMENT                                                                                     |
| NAME        | = SUTRP1_TEMP                                                                                 |
| DATA_TYPE   | = LSB_INTEGER                                                                                 |
| START_BYTE  | = 15                                                                                          |
| BYTES       | = 4                                                                                           |
| DESCRIPTION | = "Temperature (ADU) of SU TRP1. Temperature of Reference Point number 1 (near SPICAV foot on |



```

        corner +Z; -Y)"
END_OBJECT      = ELEMENT

OBJECT          = ELEMENT
  NAME          = SUTRP2_TEMP
  DATA_TYPE    = LSB_INTEGER
  START_BYTE    = 19
  BYTES         = 4
  DESCRIPTION   = "Temperature (ADU) of SU TRP2 . Temperature of
                  Reference Point number 2 (on SOIR strap)"
END_OBJECT      = ELEMENT

OBJECT          = ELEMENT
  NAME          = SOLARSHUTTER_TEMP
  DATA_TYPE    = LSB_INTEGER
  START_BYTE    = 23
  BYTES         = 4
  DESCRIPTION   = "Temperature (ADU) of SOLAR SHUTTER . Temperature on
                  Baseplate near solar shutter"
END_OBJECT      = ELEMENT

OBJECT          = ELEMENT
  NAME          = STRUCTURE_TEMP
  DATA_TYPE    = LSB_INTEGER
  START_BYTE    = 27
  BYTES         = 4
  DESCRIPTION   = "Temperature (ADU) of STRUCTURE . Temperature of
                  Baseplate (near HVPS, in corner -Z; +Y)"
END_OBJECT      = ELEMENT

OBJECT          = ELEMENT
  NAME          = DET0_TEMP
  DATA_TYPE    = PC_REAL
  START_BYTE    = 31
  BYTES         = 4
  UNIT          = "Volt"
  DESCRIPTION   = "Detector 0 temperature measured at the beginning of
                  each measurement cycle"
END_OBJECT      = ELEMENT

OBJECT          = ELEMENT
  NAME          = DET1_TEMP
  DATA_TYPE    = PC_REAL
  START_BYTE    = 34
  BYTES         = 4
  UNIT          = "Volt"
  DESCRIPTION   = "Detector 1 temperature measured at the beginning of
                  each measurement cycle"
END_OBJECT      = ELEMENT

OBJECT          = ELEMENT

```

```

NAME           = AOTF_TEMP
DATA_TYPE      = PC_REAL
START_BYTE     = 38
BYTES         = 4
UNIT          = "Kelvin"
DESCRIPTION    = "AOTF temperature measured at the beginning of
                each measurement cycle"
END_OBJECT    = ELEMENT

OBJECT         = ELEMENT
NAME          = BASE_TEMP
DATA_TYPE     = PC_REAL
START_BYTE    = 42
BYTES        = 4
UNIT         = "Kelvin"
DESCRIPTION   = "Base plate temperature measured at the beginning of
                each measurement cycle"
END_OBJECT    = ELEMENT

OBJECT         = ELEMENT
NAME          = RF_POWER
DATA_TYPE     = PC_REAL
START_BYTE    = 46
BYTES        = 4
UNIT         = "Volt"
DESCRIPTION   = "RF power array at 110 MHz (the middle of AOTF
                frequency range measured at the beginning of each
                measurement cycle"
END_OBJECT    = ELEMENT

OBJECT         = ELEMENT
NAME          = SUPP_VOLT
DATA_TYPE     = PC_REAL
START_BYTE    = 50
BYTES        = 4
UNIT         = "Volt"
DESCRIPTION   = "Supply voltage control measured at the beginning of
                each measurement cycle"
END_OBJECT    = ELEMENT

OBJECT         = ARRAY
NAME          = "DATA_ARRAY"
AXES         = 2
AXIS_ITEMS   = (5976,2)
AXIS_NAME    = (SAMPLE,DETECTOR)
START_BYTE   = 54
DESCRIPTION   = "Spectrum points recorded by the 2 detectors for
                one measurement cycle, in the following order :
                spectrum points of window 0, spectrum points of
                window 1, spectrum points of window 2 and

```

spectrum points of dots set defined by the command."

OBJECT = ELEMENT  
NAME = "intensity value"  
UNIT = "Analog Digital Unit"  
DATA\_TYPE = PC\_REAL  
BYTES = 4  
END\_OBJECT = ELEMENT

END\_OBJECT = ARRAY

END\_OBJECT = COLLECTION

END\_OBJECT = RECORD\_ARRAY

END

### 6.8 Annex 8: Example of PDS label file describing the content of the data index table within an archive volume

PDS\_VERSION\_ID = PDS3

RECORD\_TYPE = FIXED\_LENGTH  
RECORD\_BYTES = 239  
FILE\_RECORDS = 836  
^INDEX\_TABLE = "INDEX.TAB"

DATA\_SET\_ID = "VEX-Y/V-SPI-2-UVEDR-RAWXCRU/VENUS-V1.0"  
PRODUCT\_NAME = "SPICAV DATA INDEX TABLE"  
PRODUCT\_ID = INDEX  
RELEASE\_ID = 0001  
REVISION\_ID = 0000

INSTRUMENT\_HOST\_NAME = "VENUS EXPRESS"  
INSTRUMENT\_NAME = "SPICAV"  
TARGET\_NAME = "VENUS"  
START\_TIME = 2005-11-27T01:20:06.000  
STOP\_TIME = 2006-08-24T03:05:17.000  
PRODUCT\_CREATION\_TIME = 2008-10-06T15:16:11.000  
MISSION\_PHASE\_NAME = {"CRUISE", "VOI", "PHASE 0", "PHASE 1",  
"PHASE 2"}

DESCRIPTION = "This table contains the PDS-required index for all data files in the /VEXSPI\_0AUV/DATA directory on the SPICAV level 0A UV Archive Volume. It includes file location, and PDS identification information."

OBJECT = INDEX\_TABLE  
NAME = "VEX SPICAV level 0A UV main Index"

INTERCHANGE\_FORMAT = ASCII  
ROWS = 836  
COLUMNS = 9  
ROW\_BYTES = 239  
INDEX\_TYPE = SINGLE  
INDEXED\_FILE\_NAME = {"DATA/\*.LBL"}  
DESCRIPTION = "INDEX.TAB lists all label files in this volume."

OBJECT = COLUMN  
NAME = FILE\_SPECIFICATION\_NAME  
COLUMN\_NUMBER = 1  
DATA\_TYPE = CHARACTER  
START\_BYTE = 2  
BYTES = 64  
DESCRIPTION = "Pathname to the detached label which identifies this data  
file. Or path name to text file"  
END\_OBJECT = COLUMN

OBJECT = COLUMN  
NAME = PRODUCT\_ID  
COLUMN\_NUMBER = 2  
DATA\_TYPE = CHARACTER  
START\_BYTE = 69  
BYTES = 25  
DESCRIPTION = "The name of the data file, which is unique within this  
data set."  
END\_OBJECT = COLUMN

OBJECT = COLUMN  
NAME = PRODUCT\_CREATION\_TIME  
COLUMN\_NUMBER = 3  
DATA\_TYPE = CHARACTER  
START\_BYTE = 97  
BYTES = 24  
DESCRIPTION = "Time at which the data file was created."  
END\_OBJECT = COLUMN

OBJECT = COLUMN  
NAME = DATA\_SET\_ID  
COLUMN\_NUMBER = 4  
DATA\_TYPE = CHARACTER  
START\_BYTE = 124  
BYTES = 38  
DESCRIPTION = "An identifier unique for this dataset"  
END\_OBJECT = COLUMN

OBJECT = COLUMN  
NAME = RELEASE\_ID  
COLUMN\_NUMBER = 5  
DATA\_TYPE = CHARACTER

```
START_BYTE    = 165
BYTES         = 4
DESCRIPTION   = "Release id"
END_OBJECT   = COLUMN
```

```
OBJECT       = COLUMN
NAME         = REVISION_ID
COLUMN_NUMBER = 6
DATA_TYPE    = CHARACTER
START_BYTE   = 172
BYTES        = 4
DESCRIPTION  = "Revision id"
END_OBJECT   = COLUMN
```

```
OBJECT       = COLUMN
NAME         = START_TIME
COLUMN_NUMBER = 7
DATA_TYPE    = TIME
START_BYTE   = 179
BYTES        = 24
DESCRIPTION  = "Start date and time of product observation or event"
END_OBJECT   = COLUMN
```

```
OBJECT       = COLUMN
NAME         = STOP_TIME
COLUMN_NUMBER = 8
DATA_TYPE    = TIME
START_BYTE   = 206
BYTES        = 24
DESCRIPTION  = "Stop date and time of product observation or event"
END_OBJECT   = COLUMN
```

```
OBJECT       = COLUMN
NAME         = NB_RECORDS
COLUMN_NUMBER = 9
DATA_TYPE    = INTEGER
START_BYTE   = 233
BYTES        = 4
DESCRIPTION  = "Number of records in the data file"
END_OBJECT   = COLUMN
```

```
END_OBJECT = INDEX_TABLE
```

```
END
```

## 6.9 Annex 9: Links

the website where the PDS standards can be found is  
<http://pds.nasa.gov/documents/sr/index.html>

Liveliink to descriptive files from PSA files is :  
<http://www.rssd.esa.int/open/?Ynxm xp9Qkx>