
VIRTIS

ISTITUTO NAZIONALE DI
ASTROFISICA

ROSETTA – VIRTIS
Commissioning phase
Cruise 1 phase

**To Planetary Science Archive
Interface Control Document**

VIR-INAF-IC-002

Issue 1.0

30 November 2007

Prepared by:	Maria Teresa Capria Stéphane Erard Gianrico Filacchione Federico Tosi
Approved by:	Angioletta Coradini





Change Log

Date	Sections Changed	Reasons for Change
November 2007	First issue	External review results



1 INTRODUCTION	3
1.1 Purpose and Scope.....	3
1.2 Archiving Authorities.....	3
1.2.1 ESA’s Planetary Science Archive (PSA).....	3
1.3 Contents	3
1.4 Intended Readership	3
1.5 Applicable Documents.....	3
1.6 Relationships to Other Interfaces	4
1.7 Acronyms and Abbreviations	4
1.8 Contact Names and Addresses	5
2 OVERVIEW OF INSTRUMENT DESIGN, DATA HANDLING PROCESS AND PRODUCT GENERATION	6
2.1 Scientific Objectives	6
2.1.1 VIRTIS-M Nucleus Science Objectives	6
2.1.2 VIRTIS-M Coma Science Objectives.....	6
2.1.3 VIRTIS-H Nucleus & Coma Science Objectives	6
2.1.4 VIRTIS Asteroid Science Objectives	7
2.2 Instrument Description	7
2.2.1 Technical Description.....	8
Instrument operations.....	10
2.2.2 VIRTIS-M Operation modes	11
2.2.3 VIRTIS-H Operation modes.....	11
2.4 Science Data Formats.....	12
2.4.1 VIRTIS-M Science Data Format	12
2.4.2 VIRTIS-M Internal Calibration Data Format	12
2.4.3 VIRTIS-H Science Data Format.....	13
2.4.4 VIRTIS-H Internal Calibration Data Format	14
2.4.5 Calibration pipeline for VIRTIS-M.....	15
2.4.6 Calibration pipeline for VIRTIS-H.....	16
2.5 Data Handling Process.....	17
2.6 Product Generation.....	17
2.7 Overview of Data Products.....	18
2.7.1 Pre-Flight Data Products	18
2.7.2 Sub-System Tests	18
2.7.3 Instrument Calibrations	18
2.7.4 Other Files written during Calibration.....	18



2.7.5 In-Flight Data Products	18
2.7.6 Software.....	18
2.7.7 Documentation	18
2.7.8 Derived and other Data Products.....	18
2.7.9 Ancillary Data Usage.....	19
3 ARCHIVE FORMAT AND CONTENT	20
3.1 Format and Conventions	20
3.1.1 Deliveries and Archive Volume Format	20
3.1.2 Data Set ID Formation.....	20
3.1.3 Data Directory Naming Convention	20
3.1.4 Filenaming Convention.....	20
3.2 Standards Used in Data Product Generation.....	21
3.2.1 PDS Standards.....	21
3.2.2 Time Standards.....	21
3.2.3 Reference Systems.....	22
3.2.4 Other Applicable Standards.....	22
3.3 Data Validation.....	22
3.4 Content.....	23
3.4.1 Volume Set	23
3.4.2 Data Set	23
3.4.3 Directories	23
4 DETAILED INTERFACE SPECIFICATIONS	27
4.1 Structure and Organization Overview	27
4.1.1 Data storage and grouping.....	27
4.1.2 Core structure	30
4.1.3 Sideplane structure	31
4.2 Data Product Design	31
4.2.1 Design of data for VIRTIS-M and H focal planes.....	31
5 APPENDIX A: SOFTWARE AVAILABLE TO READ PDS FILES.....	41
6 APPENDIX B: EXAMPLES OF ACTUAL LABELS	42
7 APPENDIX C: ORIGIN OF THE KEYWORD VALUES.....	47
8 APPENDIX D: STRUCTURE OF H- AND M- FILES SIDEPLANES	54
9 APPENDIX E: DATASETS TABLE.....	57
ROSETTA-ORBITER CAL VIRTIS 2 CVP V1.0	57

1 Introduction

1.1 Purpose and Scope

The purpose of this EAICD (Experimenter to (Science) Archive Interface Control Document) is two fold. First it provides users of the VIRTIS instrument with detailed description of the product and a description of how it was generated, including data sources and destinations. Secondly, it is the official interface between our instrument team and the archiving authority.

1.2 Archiving Authorities

The Planetary Data System Standard is used as archiving standard by

- NASA for U.S. planetary missions, implemented by PDS
- ESA for European planetary missions, implemented by the Research and Scientific Support Department (RSSD) of ESA

1.2.1 ESA's Planetary Science Archive (PSA)

ESA implements an online science archive, the PSA,

- to support and ease data ingestion
- to offer additional services to the scientific user community and science operations teams as e.g.
 - search queries that allow searches across instruments, missions and scientific disciplines
 - several data delivery options as
 - direct download of data products, linked files and data sets
 - ftp download of data products, linked files and data sets

The PSA aims for online ingestion of logical archive volumes and will offer the creation of physical archive volumes on request.

1.3 Contents

This document describes the data flow of the VIRTIS instrument on Rosetta from the s/c until the insertion into the PSA for ESA. It includes information on how data are processed, formatted, labeled and uniquely identified. The document discusses general naming schemes for data volumes, data sets, and data files. Standards used to generate the products are explained. The design of the data set structure and the data product is given. Examples of the data labels are given.

1.4 Intended Readership

The staff of the archiving authority (Planetary Science Archive, ESA, RSSD, design team) and any potential user of the VIRTIS data in the scientific community.

1.5 Applicable Documents

- **AD 1** Planetary Data System Preparation Workbook, February 1, 1995, Version 3.1, JPL, D-7669, Part1
- **AD 2** Planetary Data System Standards Reference, August 3, 2003, Version 3.6, JPL, D-7669,



Part 2

- **AD 3** Rosetta Archive Generation, Validation and Transfer Plan, January 10, 2006, RO-EST-PL- 5011
- **AD 4** Rosetta Archive Conventions, April 26, 2007, RO-EST-TN-3372
- **AD 5** Planetary Science Data Dictionary, Revision D, JPL D-7116, July 15, 1996
- **AD 6** VIRTIS Data Archive Format, April 29, 2002, VIR-ORS-RS-1146, Version 3.4
- **AD 7** Update to VIRTIS Rosetta Archive Format, July 20, 2006, VIR-ORS-RS-2251, Issue 2.5
- **AD 8** VIRTIS SW Internal Interface Control Document, July 2001, VIR-GAL-IC-028, Issue 7
- **AD 9** VIRTIS Functional Architecture Specification Document, March 6, 1998, VIR-GAL-SP-045, draft
- **AD 10** VIRTIS-M OGSE Control System/Unit Tester Interfaces: SW Requirement Specification, March 3, 2000, VIR-GAL-RS-084, Issue 1
- **AD 11** VIRTIS SW User Requirements, July 2001, VIR-GAL-UR-040, Issue 5.0
- **AD 12** HW and SW Specifications for the Interconnection between the EGSE and the HSSE during the calibration tests, February 14, 2001, VIR-ST-0-0003-IAS, Issue 2.
- **AD 13** VIRTIS EGSE Requirement Specification, January 25, 2000, VIR-GAL-RS-062, Issue 3
- **AD 14** VIRTIS On-Board Data Handling SW Interface Control Document, June 18, 2001, VIR-GAL-IC-0048, Version 6
- **AD 15** VIRTIS SW Requirement Document, December 6, 2000, VIR-DLR-RS-003, Version 2, draft 1
- **AD 16** VIRTIS Experiment User Manual, July 2003, RO-VIR-UM-001, issue 3
- **AD 17** VIRTIS M Calibration Report, October 2006, VIR-INAF-MA-002, issue 2
- **AD 18** VIRTIS H Calibration, October 2006, VIR-DES-XX-YYYY, issue 1

1.6 Relationships to Other Interfaces

Raw data PDS cubes are generated by the EGSE [AD 13]: any change in the EGSE generation process would necessarily affect this document. Any future reprocessing of the data, for whatever reason, even if the labels are not affected, must be taken into account and described in this document.

1.7 Acronyms and Abbreviations

ADC : Analog Digital Converter
ASDC: ASI Data Centre
CMWS : Control and Monitoring WorkStation
DHSU : Data Handling System Unit
EDR : Experimental Data Record
EGSE : Electrical Ground Support Equipment
FPA : Focal Plane Arrays
HK : HouseKeeping parameters
IDL : Interactive Data Language
IR : InfraRed
ISIS : Integrated Software for Imagers and Spectrometers
ITF: Instrument Transfer Function
ME : Main Electronic
OBT: On-Board Time
PC-OPB : PC-Optical Bench
PEM : Proximity Electronic Modul
PDS : Planetary Data System
PI : Principal Investigator
PIWS : Principal Investigator WorkStation
PSA : Planetary Science Archive
QM : Qualification Model



ROSETTA – VIRTIS EAICD

Document No. : VIR-INAF-IC-002
Issue/Rev. No. : issue 1.0
Date : November 2007
Page : 5

RDDS: Rosetta Data Distribution System

RTU: Remote Terminal Unit

SI : Système International d'unités

SCET : SpaceCraft Elapsed Time

UTC : Universal Time Corrected

1.8 Contact Names and Addresses

INAF-IASF, Maria Teresa Capria, +39 06 4993 4452, mariateresa.capria@iasf-roma.inaf.it

INAF-IASF, Gianrico Filacchione, +39 06 4993 4454, Gianrico.Filacchione@iasf-roma.inaf.it

INAF-IFSI ASDC, Francesco Carraro, +39 06 94188874, carraro@asdc.asi.it

2 Overview of Instrument Design, Data Handling Process and Product Generation

2.1 Scientific Objectives

The primary scientific objectives of VIRTIS during the Rosetta mission are:

- study the cometary nucleus and its environment,
- determine the nature of the solids on the nucleus surface,
- identify the gaseous species,
- characterize the physical conditions of the coma,
- measure the temperature of the nucleus.

Secondary objectives include helping with the selection of landing sites and providing support to other instruments.

Tertiary objectives include the detection and characterization of the asteroids during flybys.

2.1.1 VIRTIS-M Nucleus Science Objectives

- Identify different ices and ice mixtures and determine their spatial distribution for albedo values ranging from 0.02 to 0.4.
- Identify the carbonaceous materials and determine the overall continuum slopes of the spectra.
- Determine the physical microstructure and nature of the surface grains by measuring the spectrophotometric phase curve with a relative radiometric accuracy of 1%.
- Identify the silicates, hydrates and other minerals with a spectral resolution of $\lambda/\Delta\lambda > 100$ in the full spectral band.
- With a spatial resolution of a few tens of meters, globally map the nucleus and determine the spatial distribution of the various mineralogical types and their mixtures using both the spectral features and the overall brightness.
- Detect and monitor active areas on the comet surface to understand the operating physical processes and identify the associated material types.

2.1.2 VIRTIS-M Coma Science Objectives

- With a resolving power of 100, determine the global distribution of gas and dust in the inner coma with to absolute and relative radiometric accuracy $< 20\%$ and 1% relative. Determine the thermal properties of the dust.
- Identify and map the strong molecular emissions in the near ultraviolet and visible spectral band, including the main water dissociation product OH at 0.28 μm and 0.31 μm , CN, C₃, NH, CH and CO⁺ ions, and the neutral radicals CN and C₂. With a high spatial resolution of 250 μrad and a moderate spectral resolution of 500, correlate the evolution of radicals with that of their parent molecules. Correlate the results of these measurements with ground based telescopic observations.
- Map the composition and evolution of gas and dust jets in the coma and correlate it with the mineralogical composition and spatial morphology of active regions on the nucleus surface.

2.1.3 VIRTIS-H Nucleus & Coma Science Objectives

- With a S/N > 100 and resolving power higher than 1000, determine the composition of ices on the nucleus surface by resolving the absorption bands of condensed molecules between 2 and 3 microns.
- In the 2 to 5 micron band, identify molecules in the gas, and measure rotational temperature. With a resolving power of 1500 at 3.5 micron, identify the hydrocarbon emission in the 3 to 4 micron band.
- Determine the composition of the dust grains in the coma by observing emission features in the fundamental bands between 2.5 and 5 microns at less than 2 A.U.

2.1.4 VIRTIS Asteroid Science Objectives

The asteroid part of Rosetta mission will include the encounter with two asteroids, 21 Lutetia and 2867 Steins. VIRTIS will allow the determination of the global and local properties of the target asteroids. The scientific goals achievable with a minor planet encounter are:

- The characterization of the global shape of the asteroid and the knowledge of its physical properties: size, shape, pole and rotational period, density.
- The study of the morphological characteristics (local features, craters distribution, evidence of possible regolith) and mineralogical composition (heterogeneity of the surface, identification of local chemical provinces, first layer texture).
- The analysis of the asteroid environment to detect the presence of dust or gas.

2.2 Instrument Description

The VIRTIS (Visible Infra Red Thermal Imaging Spectrometer) instrument combines a double capability: (1) high-resolution visible and infrared imaging in the 0.25-5 μm range at moderate spectral resolution (VIRTIS-M channel) and (2) high-resolution spectroscopy in the 2-5 μm range (VIRTIS-H channel). The two channels will observe the same comet areas in combined modes to take full advantage of their complementarities. VIRTIS-M (named -M in the following) is characterized by a single optical head consisting of a Shafer telescope combined with an Offner imaging spectrometer and by two two-dimensional FPAs: the VIS (0.25-1 μm) and IR (1-5 μm). VIRTIS-H (-H) is a high-resolution infrared cross-dispersed spectrometer using a prism and a grating. The 2-5 μm spectrum is dispersed in 9 orders on a focal-plane detector array. The main characteristics of VIRTIS can be found in the table 2.1.

VIRTIS MAIN CHARACTERISTICS AND REQUIREMENTS			
	VIRTIS – M Visible	VIRTIS – M InfraRed	VIRTIS - H
Spectral Range (nm)	220.1 – 1046.0	952.8 – 5059.2	Order 0 4.05-5.03 (1) Order 1 3.47-4.32 Order 2 3.04-3.78 Order 3 2.70-3.37 Order 4 2.43-3.03 Order 5 2.21-2.76 Order 6 2.03-2.53 Order 7 1.88-2.33
Spectral Resolution $\lambda/\Delta\lambda$	100 – 380	70 – 360	1300-3000
Spectral Sampling (nm) (2)	1.89	9.44	0.6
Field of View (mrad x mrad)	63.6 (slit) x 64.2 (scan)	63.6 (slit) x 64.2 (scan)	0.583 x 1.749



Max Spatial Resolution (μrad)	248.6 (slit) x 250.8 (scan)		
Pointing	+Zsc and Boresighted with Osiris, NavCam		
Telescope	Shafer Telescope	Shafer Telescope	Off axis parabolic mirror
Pupil Diameter (mm)	47.5		32
Imaging F#	5.6	3.2	2.04
Etendue (m ² sr)	4.6x10 ⁻¹¹	7.5x10 ⁻¹¹	.8x10 ⁻⁹
Slit Dimension (mm)	0.038 x 9.53		0.029 x 0.089
Spectrometer	Offner Relay	Offner Relay	Echelle spectrometer
Detectors	Thomson TH7896 CCD	CdHgTe (3)	CdHgTe (3)
Sensitivity Area Format	508 x 1024	270 x 436	270 x 436
Pixel Pitch (μm)	19	38	38
Operating temp. (K)	150 to 190	65 to 90	65 to 90
Spectral range (μm)	0.25 to 1.05	0.95 to 5.0	0.95 to 5.0
Mean Dark Current	< 1 e ⁻¹ /s	< 10 fA @ 70K	< 10 fA @ 70K
Radiometric Resolution SNR	> 100	> 100	> 100 @ 3.3 μm
Radiometric Accuracy			
Absolute	< 20%	< 20%	< 20%
Relative	< 1 %	< 1 %	< 1 %

- (1) The real physical orders are from 6 to 13
- (2) This depends on the selected mode of operation; here it is reported the maximum value (no pixel summing)
- (3) VIRTIS-M and -H make use of identical IR detectors.

Table 2.1 - VIRTIS characteristics and performances overview

2.2.1 Technical Description

The instrument is divided into 4 separate modules (fig. 2.1): the Optics Module - which houses the two -M and -H optical heads and the Stirling cycle cryocoolers used to cool the IR detectors to 70 K -, the two Proximity Electronics Modules (PEM) required to drive the two optical heads, the Main Electronics Module - which contains the Data Handling and Support Unit, for the data storage and processing, the power supply and control electronics of the cryocoolers and the power supply for the overall instrument.

Proximity Electronics Modules Each optical head requires specific electronics to drive the CCD, the two IRFPAs, the covers, the thermal control; the PEMs are two small boxes interfaced directly to the S/C and placed in the vicinity of the Optics Module to minimize interference noise.

Optics Module The -M imaging spectrometer and the -H echelle spectrometer optical heads are located inside the Optics Module, which in turn is divided into two regions thermally insulated from each other by means of MultiLayer Insulation (MLI): the Cold Box and the Pallet.

The Pallet is mechanically and thermally connected to the SpaceCraft; inside the Pallet are located the two Stirling cycle cryocoolers. The heat produced by the cryocoolers compressors (a maximum of 24 W in closed loop mode) is dissipated to the spacecraft.

The Cold Box contains the two optical heads and its main function is to act as a thermal buffer between the Optical Heads, working at 130 K, and the external environment (the S/C temperature ranges from 250 to 320 K). The Cold Box is mechanically connected to the Pallet through 8 Titanium rods, whose number and size

were selected to minimize conductive heat loads and to avoid distortion upon cooling from room temperature. The structural part of the cold box is a ledge which is supported by the 8 titanium rods; on the ledge the two optical heads are mechanically fixed. Thermal insulation of the Cold Box is improved by means of MLI, while thermal dissipation from the Cold Box is achieved by means of a two stage passive radiator: the first stage keep the Cold Box temperature in the range 120-140 K, while the second stage is splitted in two parts, one for each optical head, and allows to reach the required 130 K.

Another important component of the instrument are the two covers; they provide a double function: protection against dust contamination, internal calibration by means of an internally reflecting surface finish. They use a step motor and their operation is controlled by the PEMs.

VIRTIS-M The VIRTIS-M optical head perfectly matches a Shafer telescope to an Offner grating spectrometer to disperse a line image across two FPAs. The Shafer telescope produces an anastigmatic image, while Coma is eliminated by putting the aperture stop near the center of curvature of the primary mirror and thus making the telescope monocentric. The result is a telescope system that relies only on spherical mirrors yet remains diffraction limited over an appreciable spectrum and field: at +/- 1.8 degrees the spot diameters are less than 6 microns in diameter, which is 7 times smaller than the slit width.

The Offner grating spectrometer allows to cover the visible and IR ranges by the realization, on a single grating substrate, of two concentric separate regions having different groove densities: the central one, approximately covering 30% of the grating area is devoted to the visible spectrum, while the external region is used for the IR range. The IR region has a larger area as the reflected infrared solar irradiance is quite low and is not adequately compensated by the infrared emissions of the cold comet.

The visible region of the grating is laminar with rectangular grooves profile, and the groove density is 268 grooves/mm. Moreover, to compensate for the low solar energy and low CCD quantum efficiency in the ultra-violet and near infrared regions, two different groove depths have been used to modify the spectral efficiency of the grating. The resulting efficiency improves the instrument's dynamic range by increasing the S/N at the extreme wavelengths and preventing saturation in the central wavelengths.

Since the infrared channel does not require as high a resolution as the visible channel, the lower MTF caused by the visible zone's obscuration of the infrared pupil is acceptable; the groove density is 54 grooves/mm. In any case, the spot diagrams for all visible and infrared wavelengths at all field positions are within the dimension of a 40 microns pixel. For the infrared zones, a blazed groove profile is used that results in a peak efficiency at 5 μm to compensate for the low signal levels expected at this wavelength.

VIRTIS-H In -H the light is collected by an off-axis parabola and then collimated by another off-axis parabola before entering a cross-dispersing prism made of Lithium Fluoride. After exiting the prism the light is diffracted by a flat reflection grating which disperses in a direction perpendicular to the prism dispersion. The prism allows the low groove density grating, which is the echelle element of the spectrometer, to achieve very high spectral resolution by separating orders 6 through 13 across a two-dimensional detector array: the spectral resolution varies in each order between 1200 and 3500.

Since the -H is not an imaging channel, it is only required to achieve good optical performance at the zero field position. The focal length of the objective is set by the required IFOV and the number of pixels allowed for summing. While the telescope is F/1.6, the objective is F/1.67 and requires five pixels to be summed in the spatial direction to achieve about 1 mrad^2 IFOV, corresponding to 3 pixels (3 x .58 mrad x .58 mrad).

Main Electronics Module The Main Electronics is physically separated from the Optics Module. It houses the Power supply for all the experiment, the cooler electronics, the Spacecraft interface electronics, for telemetry and telecommanding, the interfaces with the Optics Module subsystems, and the DHSU (Data Handling and Support Unit) which is the electronics for the data handling, processing and for the instrument control.

The data processing and the data handling activities into the DHSU are performed using an on-line philosophy. The data are processed and transferred to the spacecraft in real time. The mass memory (SSR) of the spacecraft is used to store or buffer a large data volume. The Main Electronics contains no additional hardware component for data processing and compression. All data processing is performed by software.

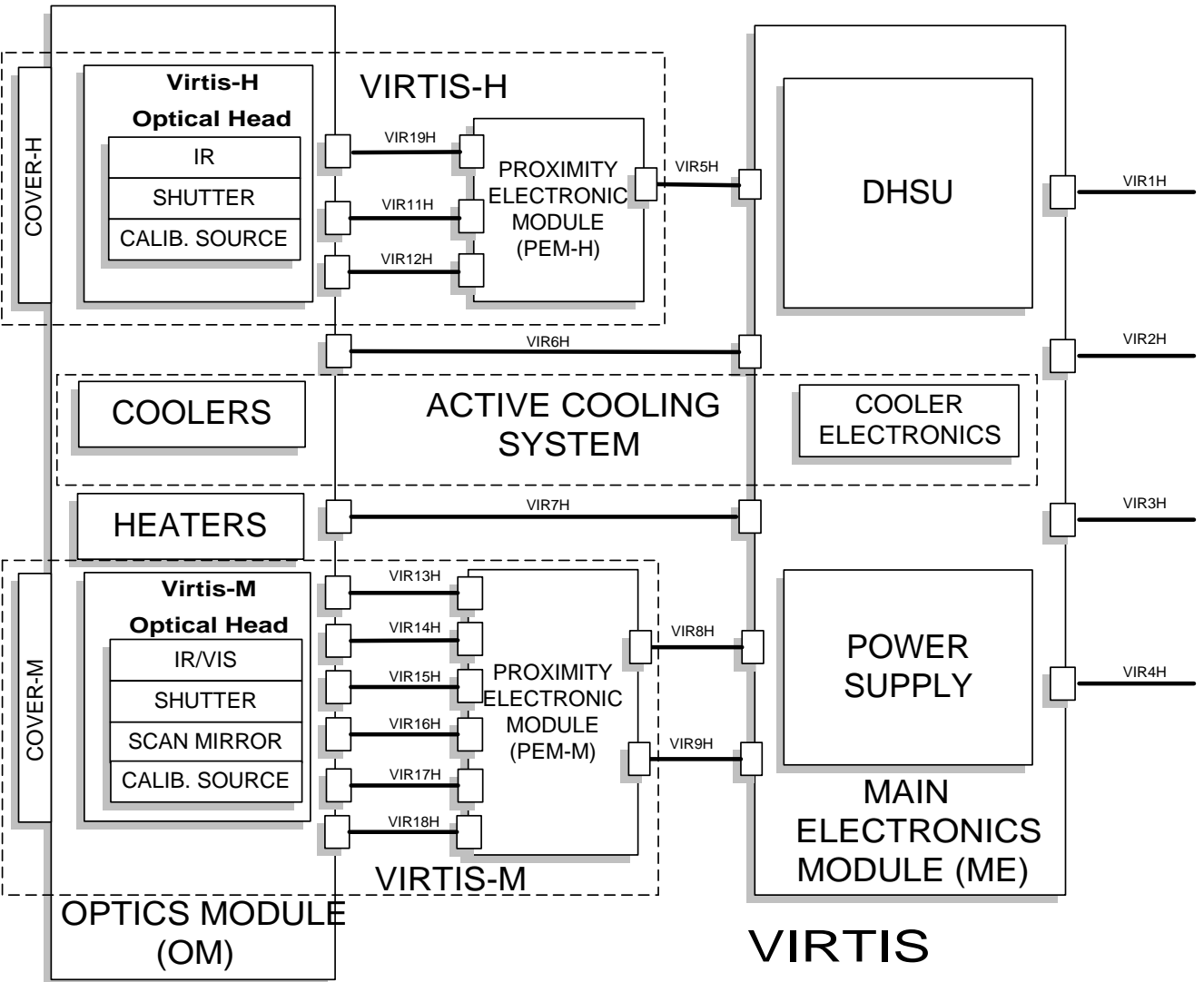


Figure 2.1 – VIRTIS functional block diagram

Instrument operations

- VIRTIS produces the following types of TM data :
- TC verification reports;
 - H/K data reports;
 - Event reports;



- Memory reports;
- Science reports (science data).

They are transmitted to the S/C DMS through the RTU I/F except the Science reports that are transmitted on the High Speed I/F. If this is not available (e.g. failure) the instrument can be commanded to start a degraded Science mode which does not use the High Speed link. In this case the Science reports are transferred via the RTU I/F like the other TMs.

2.2.2 VIRTIS-M Operation modes

Possible VIRTIS-M operation modes, coded with the INSTRUMENT_MODE_ID parameter in the PDS header, are the following:

- 1 M_Off
- 2 M_Cool_Down
- 3 M_Idle
- 4 M_Annealing
- 5 M_PEM_On
- 6 M_Test
- 7 M_Calibration
- 8 M_Science_High_Spectral_1
- 9 M_Science_High_Spectral_2
- 10 M_Science_High_Spectral_3
- 11 M_Science_High_Spatial_1
- 12 M_Science_High_Spatial_2
- 13 M_Science_High_Spatial_3
- 14 M_Science_Nominal_1
- 15 M_Science_Nominal_2
- 16 M_Science_Nominal_3
- 17 M_Science_Nominal_Compressed
- 18 M_Science_Reduced_Slit
- 19 M_User_Defined
- 20 M_Degraded
- 63 M_ME_Test

2.2.3 VIRTIS-H Operation modes

- 1 H_Off
- 2 H_Cool_Down
- 3 H_Idle
- 4 H_Annealing
- 5 H_PEM_On
- 6 H_Test
- 7 H_Calibration
- 8 H_Nominal_Simulation
- 9 H_Science_Maximum_Data_Rate
- 10 H_Science_Nominal_Data_Rate
- 11 H_Science_Minimum_Data_Rate
- 12 (deleted)
- 13 H_Science_Backup
- 14 H_User_Defined
- 15 (deleted)
- 16 (deleted)

17 (deleted)
 18 H_Spectral_Calibration_Simulation
 19 H_Degraded
 63 H_ME_Test

2.4 Science Data Formats

2.4.1 VIRTIS-M Science Data Format

Science data generated by the VIRTIS-M VIS and VIRTIS-M IR are stream of 16bit words, each corresponding to one pixel. Detector data are acquired on a spectral basis (spectrum by spectrum). In figure 2.2 a sketch of the detectors and their alignment with respect to the slit and spectrum direction is reported. The axes are aligned to the axes of the spacecraft.

The VIS CCD detector is a frame transfer detector of 1024x1024 CCD elements, thus only 512x1024 pixels are usable as image area. Moreover, each detector element has a physical size which is the half of the IR detector pixel, thus summation of 2x2 pixels shall be performed by the PEM to match spatial resolution of the IR channel. This action is performed directly by the PEM and is transparent to the final user.

The ME receives from the CCD 438 spectral and 256 spatial pixels and from the M-IR in full window mode receives 438 spectral and 270 spatial pixels. For compatibility with an integer binning value these formats are further reduced to a common 432x256 by the ME.

For M-IR the ME can command the PEM to produce a reduced window (438 spectral and 90 spatial pixels) to be used in the *M_reduced_slit* mode. In this case 90 pixels in the central area of the slit are selected.

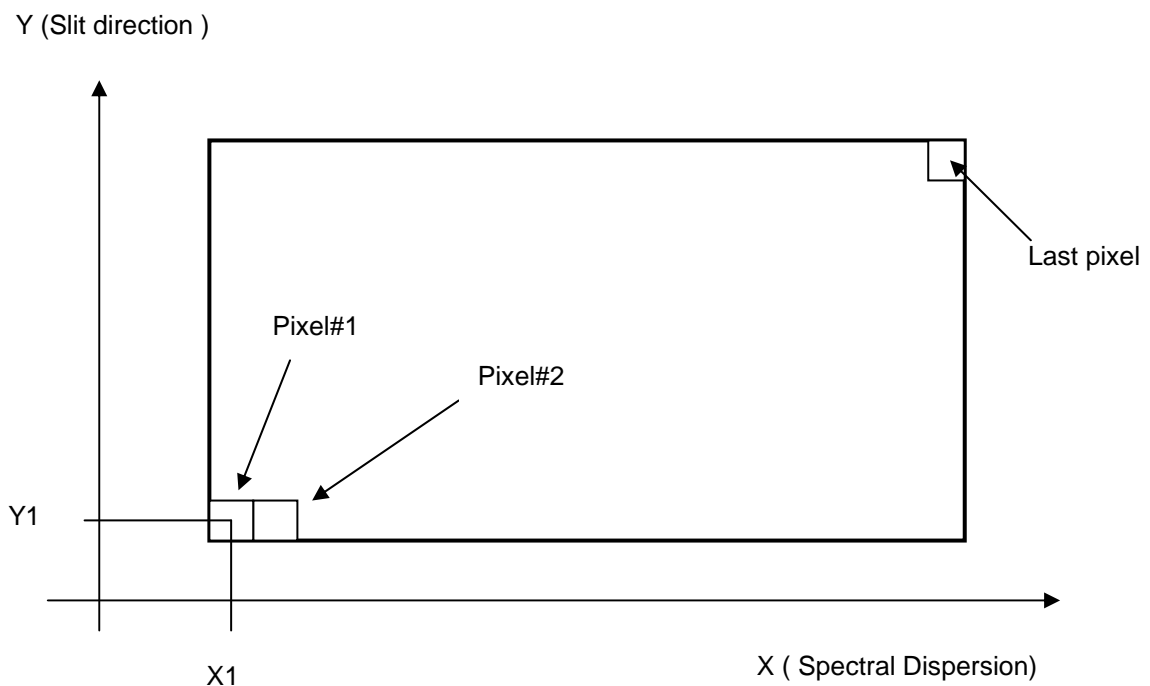


Figure 2.2 Data Organization on the CCD and IR detectors of VIRTIS-M

2.4.2 VIRTIS-M Internal Calibration Data Format

Instrumental performances can be checked during in-flight conditions thanks to the internal calibration sequence. VIRTIS-M, in fact, can acquire reference signals thanks to the combined use of cover, shutter and VIS and IR lamps. These lamps, housed on the side of the telescope, illuminate the internal side of the

external cover. The cover is placed near the entrance pupil of the instrument to minimize optical aberrations. The window of each lamp contains a transparent filter (holmium for the VIS, polystyrene for the IR) to introduce some well-shaped spectral absorption features on the overall spectrum. The signal coming from the two lamps can be used to:

- check the in-flight stability of the instrumental spectral response;
- check the in-flight stability of the flat-field;
- monitor the evolution of defective pixels (number and distribution);
- perform a check on the relative radiometric response of the instrument.

The internal calibration mode, implemented in the VIRTIS-M on-board software, consists in the acquisition of a sequence of 35 frames: 5 electronic offsets, 5 backgrounds, 5 dark currents, 5 acquisitions of the IR lamp, 5 acquisitions of the VIS lamp, 5 dark currents and 5 backgrounds.

Table 2.2 contains a description of the instrument configuration during each internal calibration step.

Internal calibration cubes are coded with INSTRUMENT_MODE_ID=7 in the PDS header.

Configuration	Frame number	Cover	Shutter	Scan mirror	IR lamp	VIS lamp	VIS Texp (s)	IR Texp (s)
Electronic offset	1-5	Closed	Open	Boresight	Off	Off	0.0	0.0
Background	6-10; 31-35	Closed	Open	Boresight	Off	Off	20.0	0.5
Dark current	11-15; 26-30	Closed	Closed	Boresight	Off	Off	20.0	0.5
IR lamp acquisition	16-20	Closed	Open	Boresight	On	Off	20.0	0.5
VIS lamp acquisition	21-25	Closed	Open	Boresight	Off	On	1.0	0.1

Table 2.2 VIRTIS-M internal calibration sequence

2.4.3 VIRTIS-H Science Data Format

VIRTIS-H uses the same IR detector as VIRTIS-M however, due to the different design of the two channels, the detector is used rather differently.

VIRTIS-H is a high resolution spectrometer and does not perform imaging; the H-IR detector is used to acquire spectra spread over its surface, thus only a portion of the pixels contains useful scientific data (see figure 2.3). The 8 spectral orders are spread over the entire surface matrix. In each spectral order the spectrum covers 432x5 pixels (where 5 pixels represent the image of the slit size when imaged on the detector).

Thus overall only 15% of the 438x270 pixels matrix surface is used. To reduce the overall data rate and volume, H uses the so called Pixel Map which gives the exact location of the spectra over the H-IR detector. The ME calculates the location of the pixels to be downloaded and passes it to PEM-H which then downloads them accordingly. The downloaded data are the H_SPECTRUM, a set of 432x8x5. A H_Spectrum can be defined as a composition of the 8 orders imaged on the H-IR detector; the H_Spectrum is extracted from the two-dimensional detector by using a map of the lighted pixels based on 8 spectral orders of 432 elements and a width of 5 pixel for each order. The 5 pixels are reduced to 1 pixel by averaging. The H_Spectrum is composed of 3456 pixels.

As H has no spatial resolution the 5 pixels are averaged together, thus the final end-product in the H_Nominal acquisition mode is a 3456 (or 432x8) pixels spectrum representing the full spectral range of the instrument from 1.88 through 5.03 micron.

However, the PEM-H can also be commanded to download the full frame to ME in the *Calibration* and *Science Backup* modes. In this case all the 432x256 pixels are sent to ME.

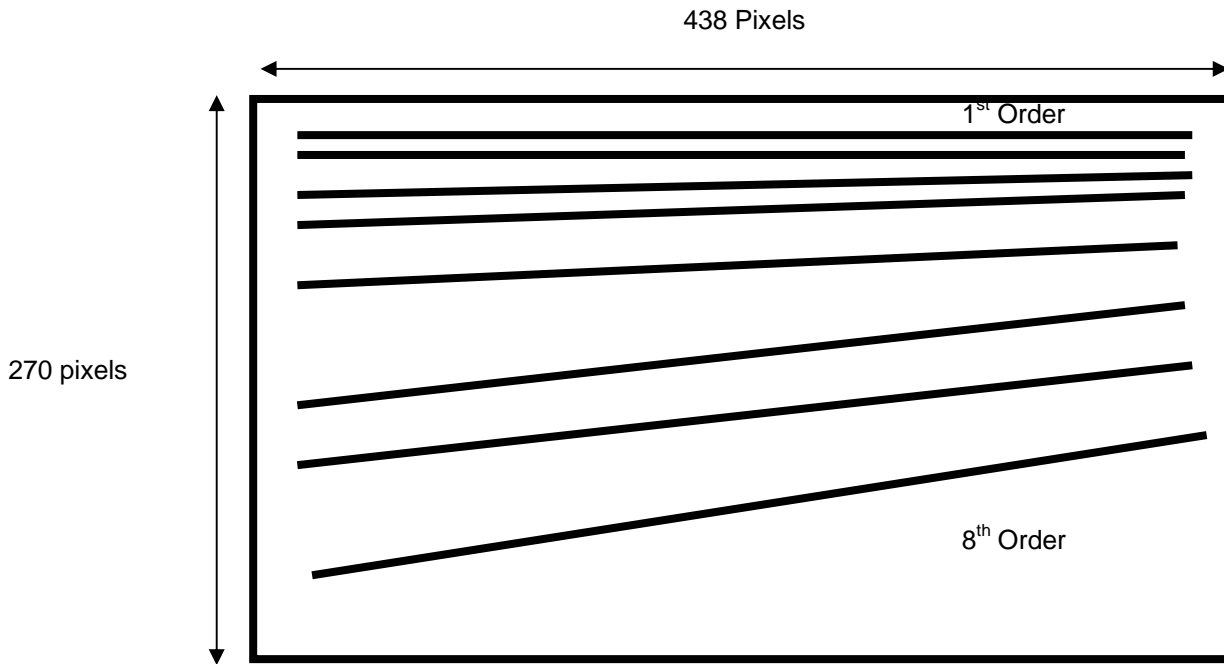


Figure 2.3 Spectral orders distributed over the IR FPA area. Only 15% of the matrix contains scientific data.

2.4.4 VIRTIS-H Internal Calibration Data Format

A sequence of internal calibration of Virtis-H is operated as follows (AD [18]):

1. Slit_spectral_calibration : 3 images (H_Image_Slice) with Cover closed, H-Shutter closed then S-lamp switched on, using functional param. integration time H_INT_SPECT_S
2. Telescope_spectral_calibration : 2 images (H_image_slice) with H-shutter closed, then T_lamp switched on, using functional param. integration time H_INT_SPECT_T
3. Image_slice_radiometric_calibration : 2 images, one H-shutter closed, then R-lamp switched on, using functional param. integration time H_INT_RADIO
4. Spectrum_Radiometric_Calibration : same, using the H_spectrum mode (dark with shutter closed, and then R-lamp on)

The total of an internal calibration is $7 \times H_Image_Slice + 2 H_spectrum$. The purpose of the internal calibration is the verification of the pixel map and wavelength pixel map (through telescope spectral calibration), the radiometric evolution of the VIRTIS-H chain (lamps+spectrometer+detector), which can be followed along the mission, and the functionality of the on board spectral reconstruction by comparing the H_spectrum mode to Image_Slice mode on the same radiometric calibration image.

The slit calibration using the S-lamp is redundant with the T-lamp, but provides in addition a check of the integrity of the detector, by illuminating a large part of the detector (by scattered light), to follow the bad pixels evolution.

2.4.5 Calibration pipeline for VIRTIS-M

VIRTIS-M calibration pipeline is described in [AD 17], which contains the algorithms used to transform raw digital numbers in spectral radiance ($W m^{-2} nm^{-1} sterad^{-1}$). In this document are described the methods used to retrieve:

- Spectral calibration: correspondence between band number and wavelength (nm);
- Geometrical calibration: optical misalignment between –M Vis and IR channels boresights; in field distortions;
- Spatial calibration: flat field matrix;
- Radiometric calibration: instrumental transfer function necessary to convert DNs in spectral radiance ($W m^{-2} nm^{-1} sterad^{-1}$);

by using on ground calibration data and measurements. A section describes step by step the algorithms necessary to calibrate raw data.

The following calibration files of VIRTIS-M are distributed with this data release:

- *VIRTIS_M_HRES_SPECAL_10_V1.TAB* and
- *VIRTIS_M_NRES_SPECAL_10_V1.TAB*: spectral calibration for VIRTIS-M channel;
- *VIRTIS_M_VIS_RESP_10_V1.DAT*: high resolution responsivity for VIRTIS-M visible channel;
- *VIRTIS_M_IR_RESP_10_V1.DAT*: high resolution responsivity for VIRTIS-M infrared channel;

The version of the file is part of the filename (V1). As calibrations never ends but evolves during the instrument life, further improved procedures and updated files will be released during the development of the mission; in this case the version number will be changed.

A raw data cube contains the not calibrated signal in DN; dark currents and thermal background are automatically subtracted from the data by an on-board processing performed by the Main Electronics (ME). The counts can be converted in physical units of spectral radiance Rad ($W m^{-2} nm^{-1} sterad^{-1}$) by using the following formulas:

$$Rad(\lambda(b),s,l)_{VIS} = \frac{DN(\lambda(b),s,l)_{VIS}}{t_{VIS} \cdot R(\lambda(b),s)_{VIS}}$$

$$Rad(\lambda(b),s,l)_{IR} = \frac{DN(\lambda(b),s,l)_{IR}}{t_{IR} \cdot R(\lambda(b),s)_{IR}}$$

where $\lambda(b)$ is the wavelength associated to band b according to spectral calibration tables (files *VIRTIS_M_HRES_SPECAL_10_V1.DAT* and *VIRTIS_M_NRES_SPECAL_10_V1.DAT*) of VIS and IR channels; s and l correspond to sample and line location of the pixel in the original cube; t is the integration time (in seconds) indicated in the PDS header of the file for VIS and IR channels; $R(\lambda(b), s, l)$ is the responsivity matrix for VIS and IR channels (files *VIRTIS_M_VIS_RESP_10_V1.DAT* and *VIRTIS_M_IR_RESP_10_V1.DAT*). This calculus can be applied to high resolution acquisitions (432 bands times 256 samples); in nominal modes, where spatial and/or spectral resolutions are reduced, it is necessary to interpolate both spectral tables and responsivity matrices according to binning values.

2.4.6 Calibration pipeline for VIRTIS-H

The calibration of VIRTIS-H spectra is performed on line at the VIRTIS-H Meudon center.

In H nominal mode, spectral orders are extracted on board from the detector image by summing the intensity of pixels illuminated through the slit. For each spectral order the central y coordinate corresponding to a given x coordinate is computed using a second order polynomial in x. The coefficients of these polynomials are stored in the data file labels (label keyword VIR_H_PIXEL_MAP_COEF). The 5 pixels centered in y on this pixel are then summed:

```
canal = findgen(432)      ; index vector (0, 1,... 431)
for i = 0, 7 do begin
  Ycoord[i,*] = coef[i,0]+ coef[i,1] * canal + coef[i,2] * canal^2
  for x = 0, 431 do $
    sum[i,x] = total(image[x, Ycoord(i,x+0.5)-2: Ycoord(i,x+0.5)+2])
endfor
```

Dead pixels, as identified from the file *DEADPIXELMAP.DAT*, are not included in the sum. The same procedure is applied on ground to extract spectra from data transferred in “backup” mode (when complete detector images are transferred).

A first order radiometric calibration is used during this mission phase. It consists in subtracting the last dark current acquired before the data, and in dividing the result by the flat-field and by the integration time. Non linearity is neglected for the time being.

During observations, dark currents alternate with data acquisitions. In nominal mode, they are transferred separately from the data to preserve the efficiency of the compression procedure, and are therefore stored in separated files with related names. Dark currents corresponding to the data are identified through their SCET, which can be reconstructed from the first 3 values in the qube sideplane:

```
Escet = qube.suffix(0:2,0,0)
scet= Ulong( Escet(0) ) * 2UL ^ 16UL + Ulong( ESCet(1) ) $
      + double( ESCet(2) ) / 2d ^ 16d
```

In backup mode, dark currents consist in detector images interleaved in the data file. They are identified through element 5 in the sideplane (starting from 0):

```
idark = where((qube.suffix(5,0,*) and '2000'X) NE 0)
```

The flat-field for this mission phase is available in spectrum format (i.e., extracted from the detector image in the same way as the data) in the file *VIRTIS_H_TRANSFERT_FCT_V1.TAB*. V1 refers to the current version of the file. The correction consists in dividing the data (after dark removal) by the flat-field and by the exposure time in seconds (as provided in the labels through the FRAME_PARAMETER keyword). This results in data calibrated in radiance, with unit $\mu\text{W}/\text{m}^2/\text{sr}/\mu\text{m}$.

The wavelengths in μm are derived using a second order polynomial for each spectral order. The coefficients of the polynomials are stored in the file *VIRTIS_H_SPECTRAL_COEF_V1.TAB* and are used as follows:

```
canal = findgen(432) + 2
for i = 0, 7 do $
  wavel(i,*) = coefW(0,i) + coefW(1,i) * canal + coefW(2,i) * canal^2
```

FWHM can similarly be computed using the coefficients stored in file *VIRTIS_H_SPECTRAL_WIDTH_V1.TAB*.

Derivation and monitoring of the calibration functions and parameters are described in the document AD [18]. Currently, the on-line version of VIRTIS-H calibration is operational on the server:

otarie.obspm.fr/Rosetta_VIRTIS_instrument

2.5 Data Handling Process

All the data products are generated by the VIRTIS team according to the following scheme:

- The PI Institution (INAF - Rome) retrieves the VIRTIS instrument data records (Level 1a data) from the Rosetta Data Distribution System (RDDS) using the EGSE.
- From the instrument data records, the EGSE generates Level 1b data files, including the ancillary data files; the labels are completed, with the exception of the information that must be extracted from the SPICE files.
- A devoted program completes the labels with the geometric information extracted from the SPICE files.
- A copy of the data set is sent to the ROSETTA ASDC server, located at ESRI in Frascati.
- After the proprietary period, currently foreseen at 6-month (see [AD03]), validated, PDS-compliant data of Level 1b are delivered to the ESA Planetary Science Archive by means of the ESA-provided tool PVV that has been installed on a machine at the PI Institution. The final data delivery to the PSA is done by the PI Institution (INAF - Rome), that has the responsibility of assembling the data sets in the proper way and of maintaining all the related documents.
- The responsible of the overall data archiving process is Maria Teresa Capria; the person who actually is sending data to ESTEC, and using and keeping PVV software is Francesco Carraro. Gianrico Filacchione is also working on the preparation of datasets to be sent for archiving, in particular the calibration files; Federico Tosi is responsible for the reconstruction of the observation geometry through the standard SPICE software.

2.6 Product Generation

VIRTIS Level 1b data products consist of the data produced by the instrument reconstructed from the scientific telemetry, sorted by channel and provided with spacecraft position, velocity and attitude information. Any other spacecraft telemetry relevant for calibration and processing will also be included in the delivered datasets.

Level 1b processing requires the acquisition of VIRTIS scientific telemetry and any relevant spacecraft auxiliary data from the RDDS in ESOC, and of SPICE kernels describing the spacecraft state and attitude.

The EGSE software generates the cubes with the attached labels. Label templates are stored in the EGSE.

All the keywords that can be found in the labels belong to five groups, depending on the origin of the corresponding value:

- *Constant keywords*: their values are not expected to change during the mission, or are stable on a long time basis (e.g., RECORD_BYTES, MISSION_NAME). In some instances, they are related to the EGSE (e.g., PRODUCER_INSTITUTION_NAME, TELEMETRY_SOURCE_ID). These values can be changed by editing the label template.
- *EGSE-related values*: they are determined by the EGSE when writing the file (e.g., FILE_RECORDS, SOFTWARE_VERSION_ID).
- *TM-related values*: they are derived by the EGSE from VIRTIS TM packets (e.g., PRODUCT_ID, INSTRUMENT_MODE_ID).
- *Navigation-related values*: they are determined from navigation files (e.g., MAXIMUM_LATITUDE, SPACECRAFT_ALTITUDE); a devoted program has the task of filling these fields (details in 4.2.1.3).
- *Observation-related values*: they are determined from external information (e.g., MISSION_PHASE_NAME, TARGET_TYPE).

Both instrument telemetry and ancillary data are being stored at the PI processing facility as they accumulates over the course of the mission, to provide the capability to reprocess data in case of errors or to accommodate new information referring to existing data sets. For example, orbit reconstruction for the same

data will improve in several stages over the course of the mission, and it is thus expected that geometry files will have to be regenerated.

2.7 Overview of Data Products

2.7.1 Pre-Flight Data Products

We have no pre-flight data products to deliver.

2.7.2 Sub-System Tests

Sub-system tests performed on VIRTIS are useful only for engineering purposes, so the VIRTIS team does not plan to deliver sub-system test data products, as they would be useless for the analysis and interpretation of the acquired flight data.

2.7.3 Instrument Calibrations

Calibration runs of the instrument involved the determination of the instrument performance and of ITF (Instrument Transfer Function). These data are used for the calibration of scientific data and are processed to produce calibration files that are part of standard data product releases.

2.7.4 Other Files written during Calibration

We have no other file produced during the calibration process.

2.7.5 In-Flight Data Products

We will deliver level 1b data, that is telemetry data that have been cleaned and merged, time ordered and sorted by channel. These data are in scientifically useful form, while not calibrated; the relevant calibration files are delivered with all the necessary documentation.

The calibrated data will be delivered as soon as they will be ready.

2.7.6 Software

All the software needed to access the data is developed and maintained by the VIRTIS team; an IDL package able to read all PDS VIRTIS data products, and a related document, are being delivered with the data.

2.7.7 Documentation

The documentation distributed with VIRTIS data sets, to be found in the DOCUMENT directory of standard data set distributions, is consisting of

- the present document, available both in PDF format and as pure ASCII text
- the VIRTIS User Manual, available both in PDF format and as pure ASCII text:
VIRTIS_EXP_USER_MANUAL
- a text and PDF document (AD 17) describing the calibration process of VIRTIS_M:
VIRTIS_M_CALIBRATION_REPORT
- a text and PDF document (AD 18) describing the calibration process of VIRTIS_H:
VIRTIS_H_CALIBRATION

2.7.8 Derived and other Data Products

To the moment, the delivery of derived data or data resulting from a cooperation with other instruments is not foreseen.



2.7.9 Ancillary Data Usage

Ancillary data used in VIRTIS data product generation are needed to correctly reference observations in space and time. Geometric information accompanying instrument is produced by means of software based on the SPICE library, released by the Navigation and Ancillary Data Facility (NAIF) of JPL. Spacecraft trajectory and attitude data produced by ESOC are accessed through the SPICE library in the form of pre-processed data files (called kernels) produced by RSSD. We will not be delivering these data products for the cruise phase.

3 Archive Format and Content

This section describes the features of the VIRTIS Standard Product Archive volumes, including the file names, file contents, and file types, which apply to all VIRTIS data sets. More details on the data sets are provided in Section 4.

3.1 Format and Conventions

3.1.1 Deliveries and Archive Volume Format

Delivery of data from the VIRTIS team to the PSA for archiving is done through Internet, using the PVV tool, according to the release concept described in [AD3]. In conformity with guidelines also provided in [AD3], data are organized so that one VIRTIS data set will coincide with a single logical volume.

Data Set Name	Volume ID
ROSETTA-ORBITER CAL VIRTIS 2 CVP V1.0	ROVIR_1001

Table 3.1 – VIRTIS Data Sets and corresponding Volume ID's.

3.1.2 Data Set ID Formation

The value of this keyword is formed following the PDS rules and the Rosetta archive conventions as written in [AD 4]. The dataset described in this document contains the raw data from the commissioning and cruise 1 mission phases (from 5 March to 16 October 2004). Details on the single acquisition (kind of observation, target, timing and so on) can be found in the table contained in the appendix E.

Data Set Name	Data Set ID
ROSETTA-ORBITER CAL VIRTIS 2 CVP V1.0	RO-CAL-VIRTIS-2-CVP-V1.0

Table 3.2 – VIRTIS Data Set ID's.

3.1.3 Data Directory Naming Convention

The /data directory is structured in three subdirectories:

- /data/VIRTIS_M_VIS:** contains VIRTIS-M VIS channel cubes;
- /data/VIRTIS_M_IR:** contains VIRTIS-M IR channel cubes;
- /data/VIRTIS_H:** contains VIRTIS-H channel cubes;

3.1.4 Filenaming Convention

All data product files throughout different VIRTIS data sets will be named using the same file naming convention. Data cubes are named according to the suffix indicating the channel, the spacecraft clock reset number and the acquisition SC_CLOCK_START_COUNT (integer part). The possible suffix values are the following:

- V for –M VIS data
- I for –M IR data

- H for –H calibration data
- S for –H dark frame data
- T for –H standard data

For example, acquisitions starting at `SC_CLOCK_START_COUNT = 1/21983325.39258` (1/ is the clock reset number) are named:

`V_SC_CLOCK_START_COUNT.QUB = V1_21983325.QUB`
`I_SC_CLOCK_START_COUNT.QUB = I1_21983325.QUB`
`T_SC_CLOCK_START_COUNT.QUB = T1_21983325.QUB`

Due to internal synchronization delays, the same acquisition could be shifted by few seconds among the three channels.

3.2 Standards Used in Data Product Generation

3.2.1 PDS Standards

All the data released by the VIRTIS Team for archiving are compliant with the Planetary Data System (PDS) standard. This standard imposes requirements on several aspects of the data product generation process, among which the need for a detailed documentation describing the origin, structure and processing undergone by data, for their accurate location in space and time, and in general for all auxiliary and ancillary data which are needed for the scientific use of the data products. This information has to be provided in an Object Description Language (ODL), in the format *keyword = value*, where *keyword* is a standard term used to label a parameter (e.g. latitude), and *value* is any allowed information quantifying that parameter.

3.2.2 Time Standards

Time information is normally provided both in UTC formatted as ISO time strings and in spacecraft clock count (number of seconds elapsed since last clock resynchronization in the spacecraft frame).

3.2.2.1 START_TIME and STOP_TIME values formation

The PDS formation rule for dates and time in UTC is:
 YYYY-MM-DDThh:mm:ss.fff or YYYY-DDDThh:mm:ss.fff, with

- YYYY year (0000-9999)
- MM month (01-12)
- DD day of month (01-31)
- DDD day of year (001-366)
- T date/time separator
- hh hour (00-23)
- mm minute (00-59)
- ss second (00-59)
- fff fractions of second (000-999) (restricted to 3 digits)

3.2.2.2 SC_CLOCK_START_COUNT and SC_CLOCK_STOP_COUNT

The `SC_CLOCK*COUNTS` represents the on-board time counters (OBT) of the spacecraft and instrument computers. This OBT counter is given in the headers of the experiment telemetry source packets. It contains the data acquisition start time as 32 bit of unit seconds followed by 16 bit of fractional seconds. The time resolution of the fractional part is $2^{-16} = 1.52 \times 10^{-5}$ seconds. Thus the OBT is represented as a decimal real



number in floating-point notation with 5 digits after a full stop character. A reset of the spacecraft clock is represented by an integer number followed by a slash, e.g. "1/" or "2/".

Example 1: SPACECRAFT_CLOCK_START_COUNT = "1/21983325.39258"

Example 2: SPACECRAFT_CLOCK_START_COUNT = "21983325.39258"

Example 3: SPACECRAFT_CLOCK_START_COUNT = "2/0000325.39008"

Example 1 and Example 2 are representing the same time instance.

3.2.2.3 OB T to UTC time conversion

Universal Time Coordinate (UTC) is a function of the time correlation packages and the on-board time. The time correlation packages are archived and distributed in the SPICE auxiliary data set and contain a linear segments that map the on-board time to UTC time. The linear segment is represented by a time offset and a time gradient. The conversion function is:

Time in UTC = offset + (OBT(seconds) + (OBT(fractional part) * 2⁻¹⁶)) * gradient

3.2.3 Reference Systems

During the cruise phase of Rosetta, always the planetocentric body-fixed rotating coordinate system is used in order to compute geometric quantities relative to targets in the solar system. The planetocentric latitude is the angle between the equatorial plane and a vector connecting the point of interest and the origin of the coordinate system. Latitudes are defined to be positive in the northern hemisphere of the body, where north is in the direction of Earth's angular momentum vector, i.e., pointing toward the northern hemisphere of the solar system invariant plane. Longitudes increase toward the east, making the planetocentric system right-handed.

The easternmost (rightmost) longitude of a target is the maximum numerical value of longitude unless it crosses the Prime Meridian. For the Earth and the Moon, PDS supports the traditional use of the range [-180°;180°] in which case the easternmost (rightmost) longitude is the maximum numerical value of longitude unless it crosses 180°. As regards the longitude, for the Earth and the Moon, the traditional use of the range [-180°;180°] is allowed.

More information on the subject can be found in 4.1.4.3

3.2.4 Other Applicable Standards

N/A

3.3 Data Validation

Validation of data is performed at different levels of detail and using different procedures.

A first validation of the content of the data is taking place directly at the EGSE, where it is possible to have an idea of the completeness of telemetry and of the instrument behavior. Then, EGSE software is building the PDS cubes and the associated labels, using a template, with minimum human intervention. The keyword DATA_QUALITY_ID (with the associated DATA_QUALITY_DESC) has been inserted in the header of the cubes; this keyword is taking the value "1" if no TM data is missing, and "0" if this is not the case.



A complete scientific validation of the data is taking place during the proprietary period as VIRTIS Co-I's perform their scientific analysis and examine in detail the content of each data product.

3.4 Content

3.4.1 Volume Set

As the concept of a volume as defined in the PDS standard is based on physical media, e.g. CD-Rs, the PSA does not use the name volume. Instead, the concept of deliveries is defined for the PSA and the term delivery is used for the PSA. However, here and in the following sections we will use the word "volume" to refer to a standard PDS directory structure for a data set in which the entire data set consists of a single (virtual) volume. Different VIRTIS data sets will be organized as separate virtual volumes, and the concept of volume set will not be used.

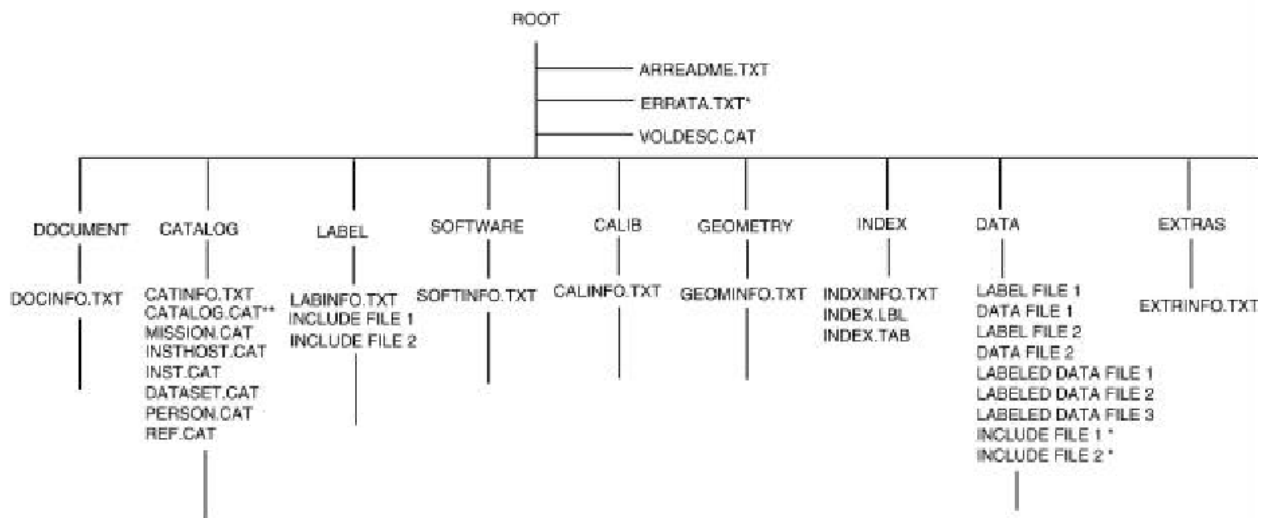
3.4.2 Data Set

The value of the keyword DATA_SET_NAME is formed following the PDS rules and the Rosetta archive conventions as written in [AD 4], so the DATA_SET_NAME has the value:

ROSETTA-ORBITER CAL VIRTIS 2 CVP V1.0

3.4.3 Directories

VIRTIS data sets are organized into one data set on one virtual volume and use the standard PDS volume structure. This structure is described in Section 19.3 of [AD2], and shown in the figure below.



xxxxINFO.TXT Required for each non-data subdirectory if present
* Optional
** Individual catalog files are preferred, or they may be combined in a single CATALOG.CAT file.

Figure 3.1 – Standard PDS volume set organization: one data set, one volume.

The content of each directory shown in Figure 3.4.2 is detailed in the following sections.

3.4.3.1 Root Directory

Files in this directory are provided by the VIRTIS science team, and will remain the same across different volumes.

File Name	File Contents
AAREADME.TXT	Volume content and format information
VOLDESC.CAT	Description of the contents of the volume in a PDS format readable by both humans and computers

Table 3.3 – Files located in the root directory of a VIRTIS data volume.

3.4.3.2 Calibration Directory

In the CALIB directory the last available versions of calibration files for all the channels can be found:

- *VIRTIS_M_VIS_RESP_10_V1.DAT* = 432x256 double precision matrix (binary) containing the VIRTIS-M-VIS Instrumental Transfer Function, including the VIS flat-Field.
- *VIRTIS_M_IR_RESP_10_V1.DAT* = 432x256 double precision matrix (binary) containing the VIRTIS-M-IR Instrumental Transfer Function, including the VIS flat-Field.
- *VIRTIS_M_HRES_SPECAL_10_V1.TAB* = 432 row ASCII table containing the wavelengths of the VIRTIS-M-VIS and -M-IR channels in High Resolution Mode.
- *VIRTIS_M_NRES_SPECAL_10_V1.TAB* = 144 row ASCII table containing the wavelengths of the VIRTIS-M-VIS and -M-IR channels in Nominal Resolution Mode.
- *DEADPIXELMAP.DAT* = pixels not included in the summing of the intensity of pixels illuminated through the slit.
- *VIRTIS_H_SPECTRAL_COEF_V1.TAB* = coefficients of the second order polynomials used to derive the wavelengths in μm .
- *VIRTIS_H_SPECTRAL_WIDTH_V1.TAB* = coefficients of the polynomials used to derive the FWHM.
- *VIRTIS_H_TRANSFERT_FCT_V1.TAB* = flat-field in spectrum format (i.e., extracted from the detector image in the same way as the data)

The two calibration pipelines are described in AD[17] and AD [18].

3.4.3.3 Catalog Directory

Files in this directory are catalogue files, that is files containing PDS catalogue objects. Such objects provide high-level information suitable for loading into a database to facilitate searches across data sets, collections and volumes. These files are provided by the VIRTIS science team, with the concurrence of the PSA, and will remain the same across different volumes.

File Name	File Contents
CATINFO.TXT	Text description of the directory contents
MISSION.CAT	PDS catalogue object for the mission
INSTHOST.CAT	PDS catalogue object for the spacecraft
TARGET.CAT	PDS catalogue object for the targets
INST.CAT	PDS catalogue object for the instrument
DATASET.CAT	PDS catalogue object for the VIRTIS data set
REF.CAT	PDS catalogue object for references appearing in the documentation

Table 3.4 – Files located in the CATALOG subdirectory of a VIRTIS data volume

3.4.3.4 Index Directory

This directory contains indexes, that is files with information that allows a user to locate data of interest. Within the Planetary Science Archive (PSA), index files fulfill two more purposes. First, some index files are read by database software and allow the ingestion of additional parameters into the database. Secondly, the PSA is using the index files to check for correct deliveries of data set revisions into the PSA. Indexes are written as INDEX_TABLE objects, that is a specific type of PDS ASCII TABLE objects, and are provided with detached PDS label files.

The set of index files for VIRTIS, as required in [AD3], is:

File Name	File Contents
INDXINFO.TXT	Text description of the directory contents
INDEX.LBL	Detached PDS label to describe INDEX.TAB
INDEX.TAB	PDS table, listing all files in the DATA directory for the corresponding release and revision.

Table 3.5 – Files located in the INDEX subdirectory of a VIRTIS data volume.

The entire contents of the INDEX directory will be sent with each release or revision delivered to the PSA.

Dataset Index File, index.lbl and index.tab

TBW

Geometric Index File, geindex.lbl and geindex.tab

TBW

3.4.3.5 Browse Directory and Browse Files

This directory is not used in VIRTIS data volumes.

3.4.3.6 Geometry Directory



TBW

3.4.3.7 Software Directory

The software we are delivering, being a set of IDL procedures, will be found in the directory DOCUM.

3.4.3.8 Gazetteer Directory

This directory is not used in VIRTIS data volumes.

3.4.3.9 Label Directory

This directory is not used in VIRTIS data volumes.

3.4.3.10 Document Directory

Files in this directory are provided by the VIRTIS science team, and are the same for all the volumes.

File Name	File Contents
DOCINFO.TXT	Text description of the directory contents
VIRTIS_nnn.LBL	PDS labels for all the documents contained in the directory
VIRTIS_EAICD.TXT	VIRTIS EAICD (this document) in ASCII text
VIRTIS_EAICD.PDF	VIRTIS EAICD (this document) in PDF format
VIRTIS_EXP_USER_MANUAL.TXT	VIRTIS User Manual in ASCII text
VIRTIS_EXP_USER_MANUAL.PDF	VIRTIS User Manual in PDF format
VIRTIS_M_CALIBRATION_REPORT.TXT	VIRTIS_M Calibration report in ASCII text
VIRTIS_M_CALIBRATION_REPORT.PDF	VIRTIS_M Calibration report in PDF format
VIRTIS_H_CALIBRATION.TXT	VIRTIS_H documentation in ASCII text
VIRTIS_H_CALIBRATION.PDF	VIRTIS_H documentation in PDF format
VIRTIS_PDS_IDL_SW_MANUAL.PDF	IDL software documentation in PDF format
Vnn.PRO	IDL routines to read and manage VIRTIS data

Table 3.6 – Files located in the DOCUMENT subdirectory of a VIRTIS data volume.

3.4.3.11 Extras Directory

To the moment, this directory is empty.

3.4.3.12 Data Directory

The DATA directory contains the actual data products generated by the VIRTIS team. Data files are organized into subdirectories, each containing data collected over one channel:

- /data/VIRTIS_M_VIS:** contains VIRTIS-M VIS channel cubes;
- /data/VIRTIS_M_IR:** contains VIRTIS-M IR channel cubes;
- /data/VIRTIS_H:** contains VIRTIS-H channel cubes;

4 Detailed Interface Specifications

4.1 Structure and Organization Overview

Measurements are provided as DN per spectral channel in Qube objects, with housekeeping parameters in the sideplanes. Data from the three focal planes are stored in separate files.

The logical object Qube is composed by a data area and an attached label. The data area is composed by a 3-dimension matrix containing science measurements (the core) and a sideplane containing the housekeeping.

Data produced during a sub-session by each of the three focal planes (VIS, IR and H) are always stored in separate PDS-formatted files. For each channel, science data and dark frames are stored in the same file, interleaved in the Qube core, in the order in which they are transmitted. Each frame of the Qube core corresponds to a frame in the sideplane containing the HK parameters acquired at the corresponding time. Some housekeeping values that remain constant during a sub-session, such as those defining the observation mode, are also stored in the label as keywords values.

In summary, a raw data cube is composed by a sequence of: *frame (Nband x Nsample values) + housekeeping parameter values (Nband x number of rows required to accommodate all the housekeeping parameters)* (Fig. 4.1).

The data area starts always with an empty record, corresponding to the HISTORY object. This is necessary in order to maintain the compatibility with the ISIS software.

4.1.1 Data storage and grouping

Data storage in the PDS files is determined by the data production mode of the instrument. The overall scheme to store raw data in calibration and during flight for –M and –H channels is described in the following sections.

4.1.1.1 Raw data storage for –M channel

Raw data from the Visible and the IR FPA are stored in different files as Qube objects, so as to simplify data handling (this will be different for reduced data, when all wavelengths are integrated). For each FPA, science data and dark frames are stored in the same file, interleaved in the Qube core, and appear in the order they are transmitted (Fig. 4.2). Each frame of the Qube core corresponds to a frame in the sideplane that contains the housekeeping parameters acquired at the corresponding time.

It is important to remember here that the data QUBE contains raw DN corrected for dark current: thanks to the integrated shutter, in fact, it's possible to acquire dark current frames at regular intervals during the scan. Each time VIRTIS start a new cube, it collects a dark frame that is automatically subtracted by the main electronics from the successive frames. Dark frames are acquired at intervals given by the DARK_ACQUISITION_RATE parameter and are temporally stored in the QUBE along the scan. During the dark acquisition the scanning mirror is not moved to avoid the lost of a line along the scan. For this reason, in order to extract an image from the cube it's necessary to remove dark current frames. These can be identified thanks to the shutter status value (SHUTT CMD=1 shutter closed, dark current; SHUTT CMD=0 shutter open, acquisition) stored in the HK.

4.1.1.2 Raw data storage for –H channel

Data are transferred by the ME according to one of three possible transfer modes (fig. 4.3): “image” (432 × 256 pixels), “spectrum” (sequence of 3456 measurements), and “64-spectra slice” (groups of 64 spectra compressed together). The data transferred through different modes cannot be stored together in a Qube object, because of their different dimensions. The operative modes are combinations of these three transfer modes, and therefore a specific data storage scheme is defined for each operating mode. These include:

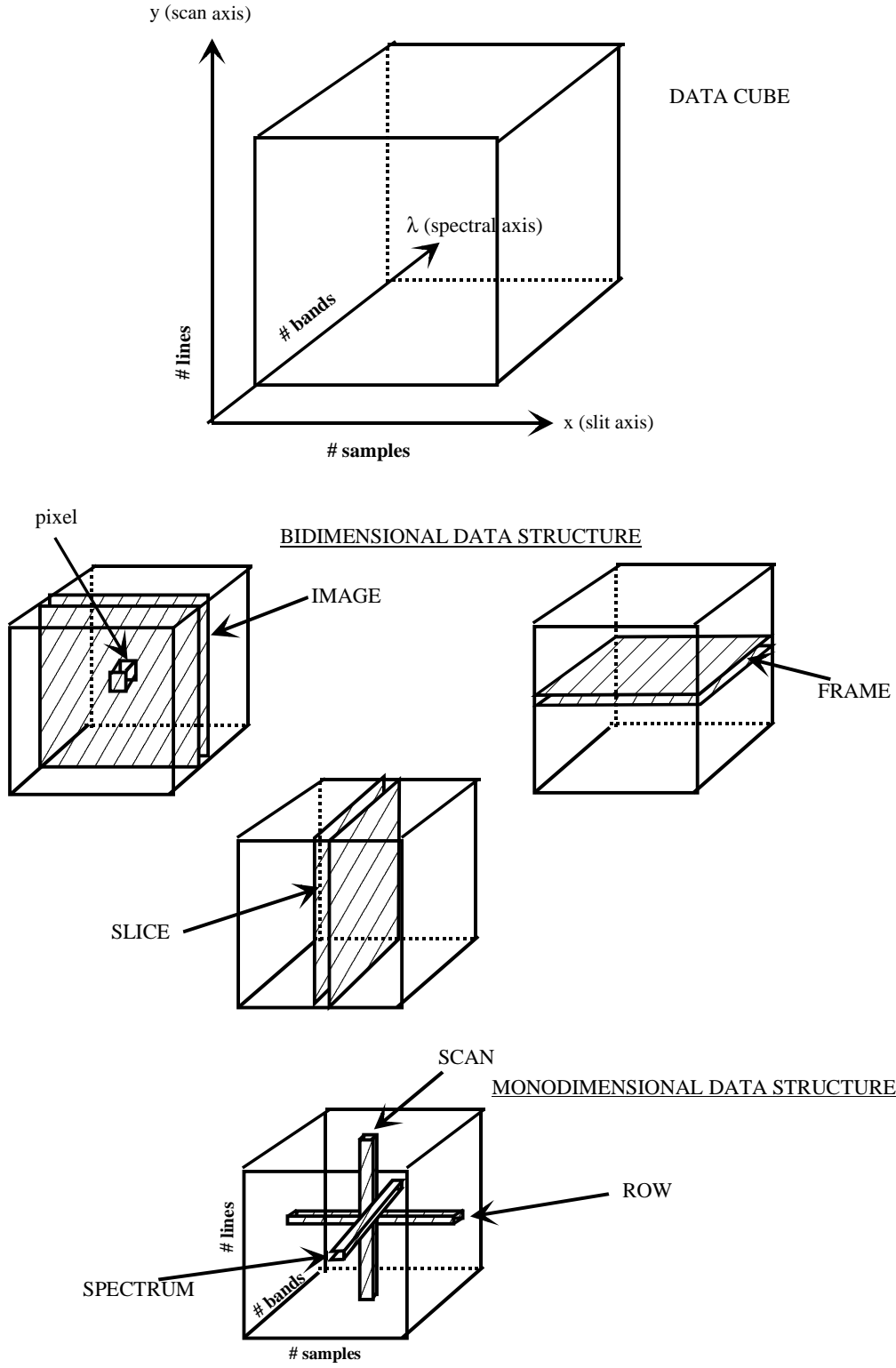


Fig. 4.1 – Structure of the qube data

Nominal mode. Data measurements are grouped as sets of 64 spectra and transferred as “64-spectra slice”, interleaved with dark measurements transferred as “spectrum”. Two files are written together:

- a qube, the core of which contains the measured spectra grouped in sets of 64 ($3456 \times 64 \times$ sequence length).
- a qube, the core of which contains the dark spectra ($3456 \times 1 \times$ number of dark spectra). Notice that the number of dark measurements associated to one “spectral slice” depends on operational parameters, and can vary from several dark frames for a single set of spectra to less than one dark per set.

The sideplane of each qube contains the corresponding housekeeping parameters.

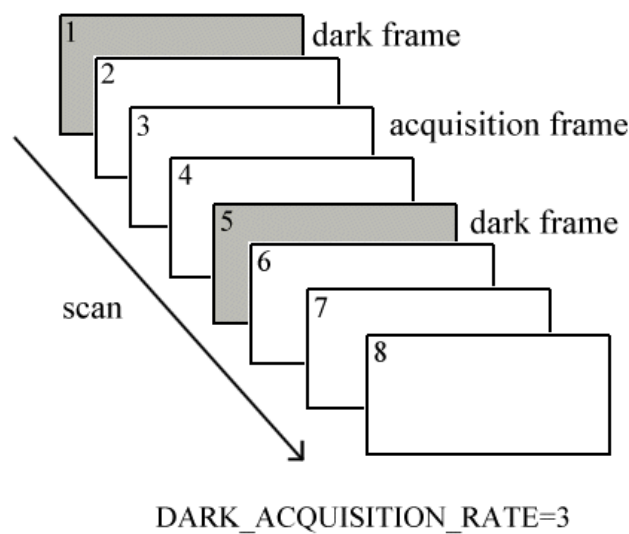


Fig. 4.2 – Structure of dark frames acquisition

Nominal simulation mode. The data are produced by the instrument itself and contain known patterns used for calibration purposes. As long as data formatting is concerned this mode is formally identical to the nominal mode.

Backup mode. Data measurements and interleaved dark measurements are transferred as images acquired in long sequences (notice that, despite its name, this is a usual functioning mode for science observations). Only one file is written:

- a qube, the core of which contains the measured image frames and dark frames ($432 \times 256 \times$ number of images acquired).

The sideplane of the qube contains the housekeeping parameters corresponding to each frame.

Calibration mode. A group of 7 images and a group of two spectra are acquired in sequence. Two short files are written:

- a qube, the core of which contains the images of the detector ($432 \times 256 \times 7$).
- a qube, the core of which contains the spectrum and the associated dark frame ($3456 \times 1 \times 2$).

The sideplanes of each qube contain the corresponding housekeeping parameters.

Spectral calibration simulation. A group of 2 images is produced, which are stored together in sequence. One single file is written:

- a qube, the core of which contains 2 images of the detector ($432 \times 256 \times 2$).

The sideplanes of the qube contains the corresponding housekeeping parameters.

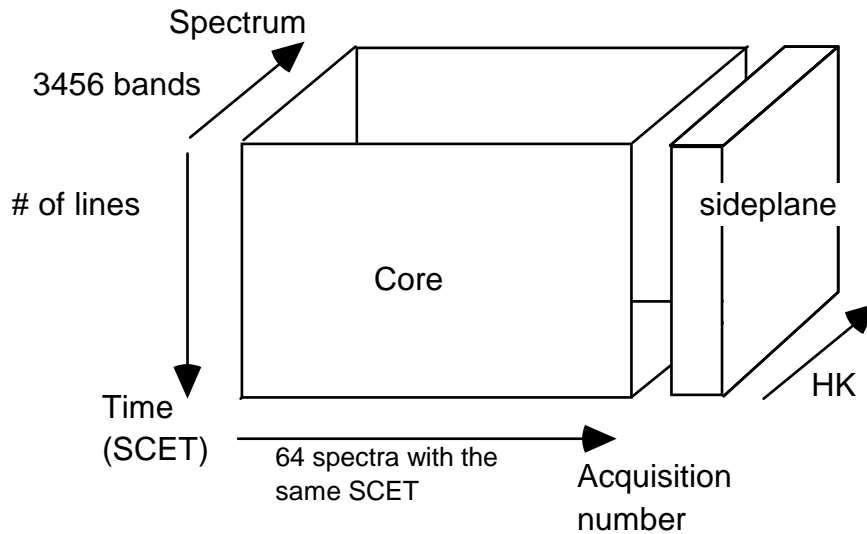


Fig. 4.3: VIRTIS H data cube in 64-spectra mode. In this case, each frame contains the 64 spectra transferred together. The # of bands is equal to 3456.

4.1.2 Core structure

A QUBE core is a 3-dimension structure containing science measurements (Fig. 4.1). The axes of the QUBE are called BAND (spectral band defined by the wavelength), SAMPLE (spatial direction along the slit), and LINE (corresponding to different acquisitions, either a scan or a temporal axis). Individual elements of the QUBE are called pixels.

The three types of 2-dimension structures in a QUBE are called:

- FRAME (fixed LINE), provided by the detector at a given time;
- IMAGE (fixed BAND), a spatial information reconstituted through time at a given wavelength;
- SLICE (fixed SAMPLE), which is the third type of cut.

The three types of 1-dimension structures in a QUBE are called:

- ROW (fixed BAND and LINE), spatial information acquired in a single time step at a given wavelength;
- SPECTRUM (fixed LINE and SAMPLE), relative to a given footprint on the target;
- SCAN (fixed BAND and SAMPLE), spatial information reconstructed through time.

The storage order is always (Band, Sample, Line) (i.e., band interleaved by pixel, or BIP), following the order of the telemetry data flow.

The data produced by Virtis-H are either (Fig. 4.3) sets of spectra acquired in sequence but transferred with the same SCET (formally similar to M data), or 3D data with 2 spectral dimensions (detector images). The same definitions as above apply in this case; the only difference concerns the SAMPLE axis, which may contain either a set of spectra with the same SCET, or one of the detector dimensions, i.e. the second spectral axis. A FRAME always contains data transferred with the same SCET, but in the case of spectra their are actually acquired at different times.

4.1.3 Sideplane structure

The sideplane contains all the HK related to the frames; it can be visualized as a supplementary plane (Fig. 4.4). There are many HK (a detailed list is contained in the appendix D), and it would be almost impossible to store them in a different way; moreover, most of them refer only to the corresponding frame and not to the whole session. Each frame of the Qube core corresponds to a frame in the sideplane that contains the housekeeping parameters acquired at the corresponding time. All HK parameters are stored in the Qube sideplanes as integer variables (ie., using a constant number of bits whatever the dynamic range and the number of bits used to store the information in the telemetry data flow).

Practically, this means that one (or some) complete line is added to each frame, the length of which is equal to the number of spectral bands, even if the number of housekeeping parameters stored in this line is smaller; in this case, this extra line must be padded with zeros. The sideplane corresponding to a frame in the cube is a set of rows containing information that document this frame. Each row of the sideplane has a number of items equal to the number of spectral bands in the cube core

The information is stored according to the following rules:

- All data units (HK and other) are stored as two-bytes words exactly as they are transferred from the spacecraft. In particular, the byte ordering is preserved (MSB),
- Elemental HK structures corresponding to the same frame are written in sequence along a sideplane row until there is no more space to add a complete structure in the row (ie., a sideplane row should always contain an entire number of structures). The end of the row is then padded with binary 0, and the following structure is written at the beginning of the next row (this is intended to keep the same index number in all rows for a given data, see Fig. 4.3).
- The number of sideplane rows actually used is identical for each frame. It must be reported in the label with the SUFFIX_ITEM keyword

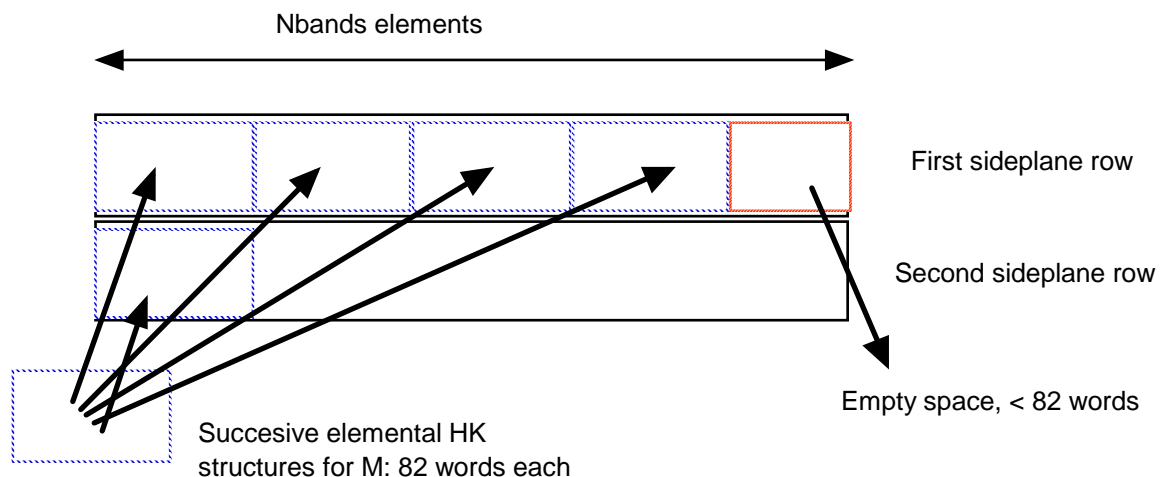


Fig. 4.4 – Organization of the sideplanes

4.2 Data Product Design

4.2.1 Design of data for VIRTIS-M and H focal planes

All the data are organized in the logical structure called Qube; PDS labels describing the content of data files are always attached. The label provides descriptive information about the associated cube. PDS labels for all VIRTIS cubes have the same structure. Most of the keywords belong to one of the following groups:

- File information
- Data description
- Information on science operations
- Instrument status description
- Data object (qube) description

Keywords belonging to the above groups are listed in the following sections, while the last section describes the other keywords. Examples of actual labels are provided in Appendix C; more details on the possible values of each keyword and the origin of each value can be found in Appendix B. In the following sections, the value field has been filled only when it has a constant value, at least for this delivery. Some of the keywords are beginning with "ROSETTA:": these keywords are locally defined (or non standard) keywords, used to store information related to the instrument that standard keywords cannot accommodate. Following the official PDS documentation, they are identified in the labels as:

`<namespace>:<keyword_name>`

where `<namespace>` is the mission name.

4.2.1.1 File information

PDS data product labels contain data element information that describes the physical structure of a data product file. The PDS file characteristic data elements are:

PRODUCT_ID	=
ORIGINAL_PRODUCT_ID	=
RECORD_TYPE	= FIXED_LENGTH
RECORD_BYTES	= 512
FILE_RECORDS	=
LABEL_RECORDS	=
FILE_STATE	= CLEAN
PDS_VERSION_ID	= PDS3
END	
LABEL_REVISION_NOTE	=
^HISTORY	=
^QUBE	=
PRODUCER_ID	= ROSETTA_VIRTIS_TEAM
PRODUCER_FULL_NAME	= "CORADINI"
PRODUCER_INSTITUTION_NAME	= "ISTITUTO NAZIONALE DI ASTROFISICA"
PRODUCT_CREATION_TIME	=
TELEMETRY_SOURCE_ID	= "VIRTIS_EGSE3"
SOFTWARE_VERSION_ID	=

PDS_VERSION_ID is the version number of the PDS standard document that is valid when a data product label is created.

The keyword PRODUCT_ID gives the actual name of the file containing the qube data, while ORIGINAL_PRODUCT_ID contains the name the qube had on the EGSE, at the beginning of the pipeline producing the data.

RECORD_TYPE is the record format of the file; all VIRTIS data files will be using a fixed-length record format. RECORD_BYTES is the number of bytes in a record. FILE_RECORDS is the length of the data file in records number, including the label; LABEL_RECORDS is the label length in records number.



FILE_STATE identifies the correct and incorrect data files and is required for use with ISIS. Possible values are "CLEAN" and "DIRTY": the file status is "DIRTY" only when an inconsistency is found when reconstructing the file on the EGSE.

^QUBE is the pointer to the data object contained in the file. ^HISTORY is a pointer to an ASCII field located between the label and the data; it is required by ISIS.

PRODUCT_CREATION_TIME contains the date and time in which the PDS file was created. TELEMETRY_SOURCE_ID identifies the EGSE used to produce the data file. SOFTWARE_VERSION_ID identifies the software used to write the labels and format the data (i.e., the EGSE software for calibration and flight raw data, processing software for derived products). PRODUCER_INSTITUTION_NAME identifies the organization responsible for developing the data products.

4.2.1.2 Data description

The keywords listed in this group describe data set, mission, mission phase, instrument type and so on.

DATA_SET_NAME	=
DATA_SET_ID	=
RELEASE_ID	= 0001
REVISION_ID	= 0000
PRODUCT_TYPE	= EDR
PROCESSING_LEVEL_ID	= 2
MISSION_NAME	= "INTERNATIONAL ROSETTA MISSION"
MISSION_ID	= ROSETTA
INSTRUMENT_HOST_NAME	= "ROSETTA_ORBITER"
INSTRUMENT_HOST_ID	= RO
MISSION_PHASE_NAME	=
PI_PDS_USER_ID	= CORADINI
INSTRUMENT_NAME	= "VISIBLE AND INFRARED THERMAL IMAGING SPECTROMETER"
INSTRUMENT_ID	= "VIRTIS"
INSTRUMENT_TYPE	= "IMAGING SPECTROMETER"
INSTRUMENT_DESC	= "VIRTIS.EAICD.TXT"
ROSETTA: CHANNEL_ID	=
DATA_QUALITY_ID	=
DATA_QUALITY_DESC	= "0: INCOMPLETE ; 1: COMPLETE"

DATA_QUALITY_ID is a data quality indicator. Possible values are 0 if lines are missing, 1 if the data are complete, "NULL" is no diagnostic.

CHANNEL_ID is a mission specific KW that identifies the instrument channel producing the data and can have 3 possible values : "VIRTIS_M_VIS", "VIRTIS_M_IR" and VIRTIS_H.

RELEASE_ID and REVISION_ID identify the specific release of the dataset.

^INSTRUMENT_DESC is a pointer to a file that gives a description of the instrument, in this case this same document.

4.2.1.3 Science operations description

The keywords listed in this group are related to the science operation: they contain the information on the target, the timing and so on. This is the group in which the geometric keywords are listed: the values necessary to complete these keywords must be generated with a software code accessing SPICE files.

TARGET_TYPE	=
TARGET_NAME	=
START_TIME	=
STOP_TIME	=
SPACECRAFT_CLOCK_START_COUNT	=
SPACECRAFT_CLOCK_STOP_COUNT	=



ORBIT_NUMBER	= "N/A"
OBSERVATION_TYPE	=
SC_SUN_POSITION_VECTOR	=
SC_TARGET_POSITION_VECTOR	=
SC_TARGET_VELOCITY_VECTOR	=
COORDINATE_SYSTEM_ID	= "NULL"
COORDINATE_SYSTEM_NAME	= "PLANETOCENTRIC"
DECLINATION	=
RIGHT_ASCENSION	=
MAXIMUM_LATITUDE	=
MINIMUM_LATITUDE	=
EASTERMOST_LONGITUDE	=
WESTERNMOST_LONGITUDE	=
SPACECRAFT_ALTITUDE	=
PHASE_ANGLE	=
SUB_SPACECRAFT_LATITUDE	=
SUB_SPACECRAFT_LONGITUDE	=
SOLAR_DISTANCE	=
SUB_SOLAR_LATITUDE	=
SUB_SOLAR_LONGITUDE	=
SPICE_FILE_NAME	=

START_TIME and STOP_TIME give the corrected UTC spacecraft time of start and stop of observation; the second keyword must always be present even if the stop time is unknown or unavailable. Time strings format is described in the appendix C.

SPACECRAFT_CLOCK_START_COUNT and SPACECRAFT_CLOCK_STOP_COUNT store the spacecraft time in its original form on the TM packet header; time string format is described in the appendix C.

OBSERVATION_TYPE identifies the general type of the observation.

SPICE_FILE_NAME is a pointer to the list of SPICE kernels used to compute the values related to the geometric keywords.

The geometric keywords

In order to reconstruct the observational geometry for the VIRTIS experiment onboard Rosetta, a special procedure in the IDL language, based on the SPICE standard software (ICY distribution), has been developed.

For the VIRTIS-M channel, the approach of self-generating "type 2" CK kernels (through the MSOPCK program supplied by the JPL NAIF team) reproducing the attitude of the internal scan mirror of VIRTIS, for a time interval corresponding to a given observation, is adopted. To do this, the SPICE frame kernel of Rosetta (as regards the VIRTIS section) and the SPICE instrument kernel of VIRTIS (in which a few minor bugs were reported) were updated accordingly after the Rosetta DAWG meeting held in June 2006. The procedure loads all of the SPICE kernels suitable for a given input time from a local database, including the proper CK kernel for the scan mirror, in order to reproduce the observational geometry for VIRTIS-M.

For all of the geometric computations, the inertial reference frame is assumed to be the Earth mean equator of J2000 frame ('EMEJ2000', named 'J2000' in this document for concision). Moreover, for all of the 'point' geometric values, i.e., values that do not need the calculation for every element of the field of view (i.e., SPACECRAFT_ALTITUDE, PHASE_ANGLE, etc.), the mid exposure time (i.e., the central time of the acquisition) is always considered, since average values are a best summary of observing conditions in all cases, and provide a more efficient way to identify the desired data.

SC_SUN_POSITION_VECTOR

It is a 3-elements vector indicating the X-, Y-, and Z- components of the position vector from the spacecraft to Sun center, expressed in J2000 coordinates, and corrected for light time and stellar aberration. Each component is expressed in km units, F14.3 format.

SC_TARGET_POSITION_VECTOR

It is a 3-elements vector indicating the X-, Y-, Z- components of the position vector from the spacecraft to target center expressed in J2000 coordinates, and corrected for planetary (light time) and stellar aberration. Each component is expressed in km units, F14.3 format. If this keyword is not applicable (e.g., in case of data regarding internal calibrations or stellar observations), then the fake -1e32 value is applied to the three components by default.

SC_TARGET_VELOCITY_VECTOR

It is a 3-elements vector indicating the X-, Y-, Z- components of the velocity vector of target relative to the spacecraft, expressed in J2000 coordinates, and corrected for light time. Each component is expressed in km sec⁻¹ units, F14.3 format. If this keyword is not applicable (e.g., in case of data regarding internal calibrations or stellar observations), then the fake -1e32 value is applied to the three components by default.

COORDINATE_SYSTEM_ID = "NULL"
 COORDINATE_SYSTEM_NAME = "PLANETOCENTRIC"

These keywords provide, respectively, the ID and full name of the coordinate system to which the state vectors are referenced. According to a PSA recommendation, during the cruise phase of Rosetta, always the Planetocentric body-fixed rotating coordinate system is used in order to compute geometric values relative to targets in the solar system. This system is suitable in the case of roughly spherical bodies (i.e., when the oblateness and/or the topography are negligible with respect to the global shape). The planetocentric latitude is the angle between the equatorial plane and a vector connecting the point of interest and the origin of the coordinate system. Latitudes are defined to be positive in the northern hemisphere of the body, where north is in the direction of Earth's angular momentum vector, i.e., pointing toward the hemisphere north of the solar system invariant plane. Longitudes are eastward (i.e., increasing toward the east), making the Planetocentric system right-handed.

DECLINATION

RIGHT_ASCENSION

These two keyword specify a point on the sky (DECLINATION element provides the value of an angle on the celestial sphere, measured north from the celestial equator to the point in question, whereas RIGHT_ASCENSION element provides the value of right ascension, which is defined as the arc of the celestial equator between the vernal equinox and the point where the hour circle through the point in question intersects the celestial equator – reckoned eastward). Both these values are computed in the J2000 reference system, and they are normally to be computed in case of inertial pointing (i.e., in conjunction with the "INERT" value of the SPACECRAFT_POINTING_MODE keyword if present), thus defining a pointing direction of the instrument's boresight. Both the coordinates are expressed in degrees: declination in the [-90°;90°] range, and right ascension in the [0°;360°] range, F11.5 format.

MAXIMUM_LATITUDE
 MINIMUM_LATITUDE

These two keywords specify the northernmost and southernmost latitudes of the target, computed in the body-fixed, rotating coordinate system specified by the COORDINATE_SYSTEM_NAME keyword. For the determination of these values, the geometric values computed for the center of each element of the field of view (pixel) are considered. Each value is expressed in degrees in the [-90°;90°] range, F9.5 format.



EASTERNMOST_LONGITUDE
WESTERNMOST_LONGITUDE

These two keywords specify the easternmost and westernmost longitudes of the target, computed in the body-fixed, rotating coordinate systems specified by the COORDINATE_SYSTEM_NAME keyword. For the determination of these values, the geometric values computed for the center of each element of the field of view (pixel) are considered. In the planetocentric coordinate system, the easternmost (rightmost) longitude of a target is the maximum numerical value of longitude unless it crosses the Prime Meridian, whereas the westernmost longitude is the minimum numerical value of longitude. Each value is expressed in degrees, F9.5 format, in the [0°;360°] range.

SPACECRAFT_ALTITUDE

This keyword provides the distance from the spacecraft to the nearest point on a reference surface of the target body measured normal to that surface. Expressed in km units, F14.3 format.

PHASE_ANGLE

This keyword specifies the phase angle of the target (i.e., the angle between a vector to the illumination source – namely the Sun – and a vector to the spacecraft). Expressed in degrees in the [0°;180°] range, F9.5 format.

SUB_SPACECRAFT_LATITUDE
SUB_SPACECRAFT_LONGITUDE

These two keywords provide the coordinates of the sub-spacecraft point on the target body, corrected for planetary (light time) and stellar aberration. These numbers are computed in the body-fixed, rotating coordinate systems specified by the COORDINATE_SYSTEM_NAME keyword. Both the coordinates are expressed in degrees, F11.5 format, in the [0°;360°] range.

SOLAR_DISTANCE

This keyword provides the distance from the Sun to the target of an observation. In the computation, no aberration correction is applied, so that the real position of the Sun is considered. Expressed in km units, F14.3 format.

SUB_SOLAR_LATITUDE
SUB_SOLAR_LONGITUDE

These two keywords provide the coordinates of the subsolar point on the target body, corrected for planetary (light time) and stellar aberration. These numbers are computed in the body-fixed, rotating coordinate systems specified by the COORDINATE_SYSTEM_NAME keyword. Both the coordinates are expressed in degrees, F11.5 format, in the [0°;360°] range.

4.2.1.4 Instrument status description

The instrument status description and the operating parameters are contained in the following keywords, that are different for the two focal planes. Hereafter the keywords for M_VIS and M_IR files can be found. It should be noted that the names of two keywords, ROSETTA:VIR_VIS_START_X_POSITION and ROSETTA:VIR_VIS_START_Y_POSITION, depend on the channel: in the case of the infrared channel VIS must be substituted by IR.

INSTRUMENT_MODE_ID	=
INSTRUMENT_MODE_DESC	= "VIRTIS_EAICD.TEXT"



ROSETTA – VIRTIS EAICD

Document No. : VIR-INAF-IC-002
Issue/Rev. No. : issue 1.0
Date : November 2007
Page : 37

INST_CMPRS_NAME	=
INST_CMPRS_RATE	=
INST_CMPRS_RATIO	=
ROSETTA:VIR_VIS_START_X_POSITION	=
ROSETTA:VIR_VIS_START_Y_POSITION	=
ROSETTA :SCAN_MODE_ID	=
SCAN_PARAMETER	=
SCAN_PARAMETER_DESC	= ("SCAN_START_ANGLE", "SCAN_STOP_ANGLE", "SCAN_STEP_ANGLE", "SCAN_STEP_NUMBER")
SCAN_PARAMETER_UNIT	= ("DEGREE", "DEGREE", "DEGREE", "DIMENSIONLESS")
FRAME_PARAMETER	=
FRAME_PARAMETER_DESC	= ("EXPOSURE_DURATION", "FRAME_SUMMING", "EXTERNAL_REPETITION_TIME", "DARK_ACQUISITION_RATE")
FRAME_PARAMETER_UNIT	= ("S", "DIMENSIONLESS", "S", "DIMENSIONLESS")
MAXIMUM_INSTRUMENT_TEMPERATURE	=
INSTRUMENT_TEMPERATURE_POINT	= ("FOCAL_PLANE", "TELESCOPE", "SPECTROMETER", "CRYOCOOLER")
INSTRUMENT_TEMPERATURE_UNIT	= ("K", "K", "K", "K")

This is the same group of keywords, shown for VIRTIS_H files, and followed by 3 keywords found only on –H data:

INSTRUMENT_MODE_ID	=
ROSETTA:SCAN_MODE_ID	=
INSTRUMENT_MODE_DESC	= "VIRTIS_EAICD.TXT"
INST_CMPRS_NAME	=
INST_CMPRS_RATE	=
INST_CMPRS_RATIO	=
ROSETTA:VIR_H_START_X_POSITION	=
ROSETTA:VIR_H_START_Y_POSITION	=
FRAME_PARAMETER	=
FRAME_PARAMETER_DESC	= ("EXPOSURE_DURATION", "FRAME_SUMMING", "FRAME_ACQUISITION_RATE", "INTERNAL_REPETITION_TIME", "DARK_ACQUISITION_RATE")
FRAME_PARAMETER_UNIT	= ("MS", "DIMENSIONLESS", "DIMENSIONLESS", "MS", "DIMENSIONLESS")
MAXIMUM_INSTRUMENT_TEMPERATURE	=
INSTRUMENT_TEMPERATURE_POINT	= ("FOCAL_PLANE", "GRATING", "PRISM", "CRYOCOOLER")
INSTRUMENT_TEMPERATURE_UNIT	= ("K", "K", "K", "K")
ROSETTA:VIRTIS_DEAD_PIXEL_MAP_FILE_NAME	= "DEADPIXELMAP.DAT"
ROSETTA:VIRTIS_H_PIXEL_MAP_COEF	=
ROSETTA:VIRTIS_H_PIXEL_MAP_COEF_DESC	= ("C11", "C12", "C13"), ("C21", "C22", "C23"), ("C31", "C32", "C33"), ("C41", "C42", "C43"), ("C51", "C52", "C53"), ("C61", "C62", "C63"), ("C71", "C72", "C73"), ("C81", "C82", "C83"))



INSTRUMENT_MODE_ID is a code indicating the observation or calibration mode (see appendix C). This code refers to the VIRTIS operative mode as defined in the document pointed by ^INSTRUMENT_MODE_DESC.

A set of 3 keywords is giving information on the onboard compression software. INSTR_CMPR_NAME refers to the kind of algorithm applied (none, lossless or a lossy wavelet); INSTR_CMPR_RATE gives the compression ratio when using the wavelet algorithm, and INSTR_CMPR_RATIO gives the effective compression ratio obtained, computed by the EGSE. For details see appendix C.

ROSETTA:VIR_VIS_START_X_POSITION and ROSETTA:VIR_VIS_START_Y_POSITION give the X and Y coordinate of the first CCD pixel used on the M-Vis FPA (keyword invented for Virtis). This quantity determines the correspondence between wavelength and spectral channels. Analogue couples of keywords are defined for the other two channels.

ROSETTA:SCAN_MODE_ID refers to the scan mode of Virtis-M. Possible values are 0 (pushbroom, i.e. no scanning), 1 (full scan), 2 (reduced scan). Scanning is performed in the cross-slit direction i.e., along the track in the general case (except when the platform is depointed).

A set of 3 keyword (only for -M) gives information on the scan mirror: SCAN_PARAMETER, SCAN_PARAMETER_DESC and SCAN_PARAMETER_UNIT. The information given is the start, stop and step angle of the mirror; the fourth parameter is the number of acquisitions performed within one single scan unit position.

A set of 3 keyword, slightly different for -M and -H, gives information on the frame acquisition. EXPOSURE_DURATION is the integration time expressed in milliseconds; it is the exposure time of elementary exposures when summing is performed. FRAME_SUMMING is the number of elementary exposures summed during a time step (i.e. to build a frame). The product of EXPOSURE_DURATION and FRAME_SUMMING is the total integration time for each frame. EXTERNAL_REPETITION_TIME is the time required for a frame acquisition cycle (> EXPOSURE_DURATION x FRAME_SUMMING). DARK_ACQUISITION_RATE is the number of frames acquired between two background measurements. FRAME_ACQUISITION_RATE is the rate of frame acquisition, measured in internal repetition time, for -H only.

Another group of keywords (MAXIMUM_INSTRUMENT_TEMPERATURE) provides the maximum temperatures, in Kelvin, measured on predefined points of VIRTIS during the observation sequence. The instantaneous values, referred to each frame, are stored in the cube sideplane and are used to optimize data reduction.

ROSETTA:VIRTIS_DEAD_PIXEL_MAP_FILE_NAME is a pointer to an external file containing the positions of the dead pixels (only for -H). ROSETTA:VIRTIS_H_PIXEL_MAP_COEF contains the values of the 24 pixel map coefficients for -H, formatted as E13.6.

4.2.1.5 Data Objects Definition

The PDS requires a separate data object definition within the product label for the QUBE object, to describe its structure and associated attributes. The object definition for a QUBE is in the form:

OBJECT	= QUBE
AXES	= 3
AXIS_NAME	= (BAND,SAMPLE,LINE)
CORE_ITEMS	=
CORE_ITEM_BYTES	= 2
CORE_ITEM_TYPE	= MSB_INTEGER
CORE_BASE	= 0.0
CORE_MULTIPLIER	= 1.0
CORE_VALID_MINIMUM	= "NULL"
CORE_NULL	= "NULL"
CORE_LOW_REPR_SATURATION	= -32768
CORE_LOW_INSTR_SATURATION	= -32768
CORE_HIGH_REPR_SATURATION	= 32767
CORE_HIGH_INSTR_SATURATION	= 32767
CORE_NAME	= RAW_DATA_NUMBER
CORE_UNIT	= DIMENSIONLESS

SUFFIX_BYTES	= 2
SUFFIX_ITEMS	=
SAMPLE_SUFFIX_NAME	= "HOUSEKEEPING PARAMETERS"
SAMPLE_SUFFIX_UNIT	= DIMENSIONLESS
SAMPLE_SUFFIX_ITEM_BYTES	= 2
SAMPLE_SUFFIX_ITEM_TYPE	= MSB_INTEGER
SAMPLE_SUFFIX_BASE	= 0.0
SAMPLE_SUFFIX_MULTIPLIER	= 1.0
SAMPLE_SUFFIX_VALID_MINIMUM	= "NULL"
SAMPLE_SUFFIX_NULL	= 65535
SAMPLE_SUFFIX_LOW_REPR_SAT	= 0
SAMPLE_SUFFIX_LOW_INSTR_SAT	= 0
SAMPLE_SUFFIX_HIGH_REPR_SAT	= 65535
SAMPLE_SUFFIX_HIGH_INSTR_SAT	= 65535
^HOUSEKEEPING_DESCRIPTION	= "EAICD.TXT"
END_OBJECT	= QUBE

Keywords describing the Qube

AXES is the number of data axes in the Qube object (always 3). AXIS_NAME indicates the organization of the object, bands interleaved by pixels, or BIP. For -M, it means that a complete spectrum is written contiguously, and spectra acquired at the same time step are written in sequence. CORE_ITEMS are the dimensions of the data cube. The three values specified are the spectral and spatial dimensions of the detector after binning (derived from INSTRUMENT_MODE_ID), and the number of frames acquired in the session.

CORE_ITEM_BYTES and CORE_ITEM_TYPE give the type of data in the cube core: it is always 16 bits integers, MSB encoding, for raw data, whatever the architecture used to write the raw data files (ie., EGSE will not change byte encoding relative to the output of the instrument).

CORE_BASE and CORE_MULTIPLIER allow scaling of data (useful for calibrated data only):
 $true_value = base + (multiplier * stored_value)$.

Values below the keyword CORE_VALID_MINIMUM are reserved for special use, following an ISIS convention.

CORE_NULL is an optional code indicating invalid data.

CORE_LOW_REPR_SATURATION = -32768
 CORE_LOW_INSTR_SATURATION = -32768
 CORE_HIGH_REPR_SATURATION = 32767
 CORE_HIGH_INSTR_SATURATION = 32767

These are special values indicating instrument and representation saturation at both ends of the data range.

CORE_NAME is the physical quantity recorded in the cube (required for ISIS).

CORE_UNIT is the unit of data stored in the cube. CORE_UNIT_NOTE can be used to explain the conversion to real values, or anything, and it is reserved for future use.

Keywords describing the Sideplane

SUFFIX_ITEMS gives the structure of the suffix area, listed in the storage order defined by AXIS_NAME. The value is (0,NI_s,0), where NI_s is the number of lines required to store the housekeeping and ancillary information related to each frame of data. Each line is equivalent to an extra spectrum for each frame. This corresponds to data transfer order and saves the maximum possible space in the file. In this case, it means that NI_s lines of Nb items will be written after the frame, where Nb is the number of spectral bands.

SUFFIX_BYTES is the allocation in bytes of each suffix data value. This value is always 2 in labels written by EGSE.

SAMPLE_SUFFIX_NAME = "HOUSEKEEPING PARAMETERS" provides the name of the suffix items along the sample axis.



ROSETTA – VIRTIS EAICD

Document No. : VIR-INAF-IC-002
Issue/Rev. No. : issue 1.0
Date : November 2007
Page : 40

SAMPLE_SUFFIX_ITEM_BYTES provides the sizes in bytes of the suffix items along the sample axis (part of the allocation reserved by SUFFIX_BYTES which is actually used). A storage on two bytes can accommodate all VIRTIS HK.

SAMPLE_SUFFIX_ITEM_TYPE provides the byte encoding of suffix items along the sample axis; always 16 bits integers, MSB encoding, for raw data, to remain consistent with core data.

SAMPLE_SUFFIX_UNIT_NOTE can be used to comment on suffix area and is reserved for future use.

^HOUSEKEEPING_DESCRIPTION is a pointer to an ASCII file describing the list of housekeeping and event parameters in the order they are stored in the suffix area.

It should be noted that the value of the keyword SUFFIX_BYTES is 2 instead of 4, as it would be required for compatibility with ISIS software: we did not follow this convention to avoid a large wasting of space.

OBJECT = HISTORY DESCRIPTION = "NULL" END_OBJECT = HISTORY
--

The object HISTORY is maintained for compatibility with ISIS software.



5 Appendix A: Software available to read PDS files

The VIRTIS EGSE contains a PDSviewer software written in C able to access and display the formatted VIRTIS data files. This software is not portable (Windows only) and will not be distributed outside the science team.

The VIRTIS team maintains an IDL software library to read Virtis PDS files, including data files and related files such as transfer functions. This library is being delivered to PSA, in the subdirectory DOCUMENT, with a document explaining its content and usage.

6 Appendix B: Examples of actual labels

This is an example of a label for a M-VIS file, called V1_38807497.qub (M-IR labels are similar):

```

PDS_VERSION_ID = PDS3
LABEL_REVISION_NOTE = "SE-MTC,01/03/2007"

/* File format and length */
PRODUCT_ID = "V1_38807497.QUB"
ORIGINAL_PRODUCT_ID = "FV43P350.QUB"
RECORD_TYPE = FIXED_LENGTH
RECORD_BYTES = 512
FILE_RECORDS = 15192
LABEL_RECORDS = 11
FILE_STATE = CLEAN

/* Pointers to data objects */
^HISTORY = 12
OBJECT = HISTORY
DESCRIPTION = "Reserved area for ISIS compatibility"
END_OBJECT = HISTORY
^QUBE = 13

/* Producer information */
PRODUCER_ID = ROSETTA_VIRTIS_TEAM
PRODUCER_FULL_NAME = "CORADINI"
PRODUCER_INSTITUTION_NAME = "ISTITUTO NAZIONALE DI ASTROFISICA"
PRODUCT_CREATION_TIME = 2006-11-10T09:29:12.40
TELEMETRY_SOURCE_ID = "VIRTIS_EGSE3"
SOFTWARE_VERSION_ID = {"EGSE_SOFT_7.0", "PDS_CONVERTER_7.0"}

/* Data description parameters */
DATA_SET_NAME = "ROSETTA-ORBITER CAL VIRTIS 2 CVP V1.0"
DATA_SET_ID = "RO-CAL-VIRTIS-2-CVP-V1.0"
RELEASE_ID = 0001
REVISION_ID = 0000
PRODUCT_TYPE = EDR
STANDARD_DATA_PRODUCT_ID = "VIRTIS DATA"
PROCESSING_LEVEL_ID = 2
MISSION_NAME = "INTERNATIONAL ROSETTA MISSION"
MISSION_ID = ROSETTA
INSTRUMENT_HOST_NAME = "ROSETTA-ORBITER"
INSTRUMENT_HOST_ID = RO
MISSION_PHASE_NAME = "COMMISSIONING"
PI_PDS_USER_ID = CORADINI
INSTRUMENT_NAME = "VISIBLE AND INFRARED THERMAL IMAGING SPECTROMETER"
INSTRUMENT_ID = "VIRTIS"
INSTRUMENT_TYPE = "IMAGING SPECTROMETER"
^INSTRUMENT_DESC = "VIRTIS_EAICD.TXT"
ROSETTA:CHANNEL_ID = "VIRTIS_M_VIS"
DATA_QUALITY_ID = 1
DATA_QUALITY_DESC = "0:INCOMPLETE ; 1:COMPLETE"

/* Science operations information */
TARGET_TYPE = "CALIBRATION"
TARGET_NAME = "CALIBRATION"
START_TIME = 2004-03-25T03:51:50.850
STOP_TIME = 2004-03-25T04:03:04.673
SPACECRAFT_CLOCK_START_COUNT = "1/38807497.6192"
SPACECRAFT_CLOCK_STOP_COUNT = "1/38808170.60127"
ORBIT_NUMBER = "N/A"
OBSERVATION_TYPE = "N/A"
SC_SUN_POSITION_VECTOR = "NULL"
SC_TARGET_POSITION_VECTOR = ("N/A", "N/A", "N/A")
SC_TARGET_VELOCITY_VECTOR = ("N/A", "N/A", "N/A")
COORDINATE_SYSTEM_ID = "NULL"
COORDINATE_SYSTEM_NAME = "PLANETOCENTRIC"
DECLINATION = -23.375
RIGHT_ASCENSION = 276.222
MAXIMUM_LATITUDE = "N/A"

```



ROSETTA – VIRTIS EAICD

Document No. : VIR-INAF-IC-002
Issue/Rev. No. : issue 1.0
Date : November 2007
Page : 43

```
MINIMUM_LATITUDE           = "N/A"
EASTERNMOST_LONGITUDE      = "N/A"
WESTERNMOST_LONGITUDE      = "N/A"
SPACECRAFT_ALTITUDE        = "N/A"
PHASE_ANGLE                = "N/A"
SUB_SPACECRAFT_LATITUDE    = "N/A"
SUB_SPACECRAFT_LONGITUDE   = "N/A"
SOLAR_DISTANCE             = "N/A"
SUB_SOLAR_LONGITUDE        = "N/A"
SUB_SOLAR_LATITUDE         = "N/A"

/* Instrument status */
INSTRUMENT_MODE_ID        = 07
^INSTRUMENT_MODE_DESC     = "VIRTIS_EAICD.TXT"
INST_CMPRS_NAME           = "NONE"
INST_CMPRS_RATE           = 16
INST_CMPRS_RATIO          = "NONE"
ROSETTA:VIR_VIS_START_X_POSITION = 5
ROSETTA:VIR_VIS_START_Y_POSITION = 0
ROSETTA:SCAN_MODE_ID      = 2
SCAN_PARAMETER            = (0.16, 33.07, 0.26, 1.00)
SCAN_PARAMETER_DESC       = ("SCAN_START_ANGLE", "SCAN_STOP_ANGLE",
                             "SCAN_STEP_ANGLE", "SCAN_STEP_NUMBER")
SCAN_PARAMETER_UNIT       = ("DEGREE", "DEGREE", "DEGREE", "DIMENSIONLESS")
FRAME_PARAMETER           = (1.00, 1.00, 5.00, 20.00)
FRAME_PARAMETER_DESC      = ("EXPOSURE_DURATION", "FRAME_SUMMING",
                             "EXTERNAL_REPETITION_TIME", "DARK_ACQUISITION_RATE")
FRAME_PARAMETER_UNIT      = ("S", "DIMENSIONLESS", "S", "DIMENSIONLESS")
MAXIMUM_INSTRUMENT_TEMPERATURE = (176.33, 143.04, 142.52, 79.80)
INSTRUMENT_TEMPERATURE_POINT = ("FOCAL_PLANE", "TELESCOPE",
                                "SPECTROMETER", "CRYOCOOLER")
INSTRUMENT_TEMPERATURE_UNIT = ("K", "K", "K", "K")

/* Pointer to navigation data files */
SPICE_FILE_NAME = ("ATNR_P040302093352_00041.BC",
                  "VIRTIS_ck2_F43P.bc",
                  "DE405S.BSP",
                  "ORHR_____00041.BSP",
                  "NAIF0008.TLS",
                  "ROS_060511_STEP.TSC",
                  "ros_virtis_v11.ti",
                  "ros_v08.tf",
                  "PCK00008.TPC")

/* Cube keywords*/
OBJECT = QUBE
AXES = 3
AXIS_NAME = (BAND, SAMPLE, LINE)
CORE_ITEMS = (432, 256, 35)
CORE_ITEM_BYTES = 2
CORE_ITEM_TYPE = MSB_INTEGER
CORE_BASE = 0.0
CORE_MULTIPLIER = 1.0
CORE_VALID_MINIMUM = "NULL"
CORE_NULL = "NULL"
CORE_LOW_REPR_SATURATION = -32768
CORE_LOW_INSTR_SATURATION = -32768
CORE_HIGH_REPR_SATURATION = 32767
CORE_HIGH_INSTR_SATURATION = 32767
CORE_NAME = RAW_DATA_NUMBER
CORE_UNIT = DIMENSIONLESS

SUFFIX_BYTES = 2
SUFFIX_ITEMS = (0, 1, 0)
SAMPLE_SUFFIX_NAME = "HOUSEKEEPING PARAMETERS"
SAMPLE_SUFFIX_UNIT = DIMENSIONLESS
SAMPLE_SUFFIX_ITEM_BYTES = 2
SAMPLE_SUFFIX_ITEM_TYPE = MSB_UNSIGNED_INTEGER
SAMPLE_SUFFIX_BASE = 0.0
SAMPLE_SUFFIX_MULTIPLIER = 1.0
SAMPLE_SUFFIX_VALID_MINIMUM = "NULL"
SAMPLE_SUFFIX_NULL = 65535
```



ROSETTA – VIRTIS EAICD

Document No. : VIR-INAF-IC-002
Issue/Rev. No. : issue 1.0
Date : November 2007
Page : 44

```
SAMPLE_SUFFIX_LOW_REPR_SAT = 0
SAMPLE_SUFFIX_LOW_INSTR_SAT = 0
SAMPLE_SUFFIX_HIGH_REPR_SAT = 65535
SAMPLE_SUFFIX_HIGH_INSTR_SAT = 65535
^HOUSEKEEPING_DESCRIPTION = "VIRTIS_EAICD.TXT"
END_OBJECT = QUBE

END
```

This is an example of a label for an H file, called T1_38811591.qub:

```
PDS_VERSION_ID = PDS3
LABEL_REVISION_NOTE = "SE-MTC,01/03/2007"

/* File format and length */
PRODUCT_ID = "T1_38811591.QUB"
ORIGINAL_PRODUCT_ID = "FT43P50.QUB"
RECORD_TYPE = FIXED_LENGTH
RECORD_BYTES = 512
FILE_RECORDS = 5278
LABEL_RECORDS = 12
FILE_STATE = CLEAN

/* Pointers to data objects */
^HISTORY = 13
OBJECT = HISTORY
DESCRIPTION = "Reserved area for ISIS compatibility"
END_OBJECT = HISTORY
^QUBE = 14

/* Producer information */
PRODUCER_ID = ROSETTA_VIRTIS_TEAM
PRODUCER_FULL_NAME = "CORADINI"
PRODUCER_INSTITUTION_NAME = "ISTITUTO NAZIONALE DI ASTROFISICA"
PRODUCT_CREATION_TIME = 2006-11-10T09:29:50.21
TELEMETRY_SOURCE_ID = "VIRTIS_EGSE3"
SOFTWARE_VERSION_ID = {"EGSE_SOFT_7.0", "PDS_CONVERTER_7.0"}

/* Data description parameters */
DATA_SET_NAME = "ROSETTA-ORBITER CAL VIRTIS 2 CVP V1.0"
DATA_SET_ID = "RO-CAL-VIRTIS-2-CVP-V1.0"
RELEASE_ID = 0001
REVISION_ID = 0000
PRODUCT_TYPE = EDR
PROCESSING_LEVEL_ID = 2
STANDARD_DATA_PRODUCT_ID = "VIRTIS DATA"
MISSION_NAME = "INTERNATIONAL ROSETTA MISSION"
MISSION_ID = ROSETTA
INSTRUMENT_HOST_NAME = "ROSETTA-ORBITER"
INSTRUMENT_HOST_ID = RO
MISSION_PHASE_NAME = "COMMISSIONING"
PI_PDS_USER_ID = CORADINI
INSTRUMENT_NAME = "VISIBLE AND INFRARED THERMAL IMAGING SPECTROMETER"
INSTRUMENT_ID = "VIRTIS"
INSTRUMENT_TYPE = "IMAGING SPECTROMETER"
^INSTRUMENT_DESC = "VIRTIS_EAICD.TXT"
ROSETTA:CHANNEL_ID = "VIRTIS_H"
DATA_QUALITY_ID = 1
DATA_QUALITY_DESC = "0:INCOMPLETE ; 1:COMPLETE"

/* Science operations information */
TARGET_TYPE = "CALIBRATION"
TARGET_NAME = "CALIBRATION"
START_TIME = 2004-03-25T05:00:05.149
STOP_TIME = 2004-03-25T05:13:42.765
SPACECRAFT_CLOCK_START_COUNT = "1/38811591.25691"
SPACECRAFT_CLOCK_STOP_COUNT = "1/38812408.20890"
ORBIT_NUMBER = "N/A"
OBSERVATION_TYPE = "N/A"
SC_SUN_POSITION_VECTOR = (141327214.48, 13225356.06, 5271133.63)
```




ROSETTA – VIRTIS EAICD

Document No. : VIR-INAF-IC-002
Issue/Rev. No. : issue 1.0
Date : November 2007
Page : 45

```
SC_TARGET_POSITION_VECTOR = ("N/A", "N/A", "N/A")
SC_TARGET_VELOCITY_VECTOR = ("N/A", "N/A", "N/A")
COORDINATE_SYSTEM_ID = "NULL"
COORDINATE_SYSTEM_NAME = "PLANETOCENTRIC"
DECLINATION = -23.372
RIGHT_ASCENSION = 276.278
MAXIMUM_LATITUDE = "N/A"
MINIMUM_LATITUDE = "N/A"
EASTERNMOST_LONGITUDE = "N/A"
WESTERNMOST_LONGITUDE = "N/A"
SPACECRAFT_ALTITUDE = "N/A"
PHASE_ANGLE = "N/A"
SUB_SPACECRAFT_LATITUDE = "N/A"
SUB_SPACECRAFT_LONGITUDE = "N/A"
SOLAR_DISTANCE = "N/A"
SUB_SOLAR_LONGITUDE = "N/A"
SUB_SOLAR_LATITUDE = "N/A"

/* Instrument status */
INSTRUMENT_MODE_ID = 10
^INSTRUMENT_MODE_DESC = "VIRTIS_EAICD.TXT"
INST_CMPRS_NAME = "REVERSIBLE"
INST_CMPRS_RATE = "N/A"
INST_CMPRS_RATIO = "NONE"
ROSETTA:VIR_H_START_X_POSITION = "NULL"
ROSETTA:VIR_H_START_Y_POSITION = "NULL"
FRAME_PARAMETER = (600.00, 1.00, -1e32, 2.00, 10.00)
FRAME_PARAMETER_DESC = ("EXPOSURE_DURATION", "FRAME_SUMMING",
                        "FRAME_ACQUISITION_RATE", "INTERNAL_REPETITION_TIME",
                        "DARK_ACQUISITION_RATE")
FRAME_PARAMETER_UNIT = ("MS", "DIMENSIONLESS", "DIMENSIONLESS", "MS",
                        "DIMENSIONLESS")
MAXIMUM_INSTRUMENT_TEMPERATURE = (81.46, 140.15, 143.76, 79.70, -1e32)
INSTRUMENT_TEMPERATURE_POINT = ("FOCAL_PLANE", "GRATING",
                                "PRISM", "CRYOCOOLER")
INSTRUMENT_TEMPERATURE_UNIT = ("K", "K", "K", "K")

ROSETTA:VIR_DEAD_PIXEL_MAP_FILE_NAME = "DEADPIXELMAP.DAT"
ROSETTA:VIR_H_PIXEL_MAP_COEF =
  ((3.842015E+001,1.222768E-001,9.361610E-005),
   (9.109106E+001,9.826208E-002,5.859880E-005),
   (1.261752E+002,8.349553E-002,3.504720E-005),
   (1.517716E+002,6.967339E-002,1.929840E-005),
   (1.709789E+002,5.490164E-002,1.546990E-005),
   (1.849946E+002,4.500468E-002,1.146040E-005),
   (1.953808E+002,4.088580E-002,1.903530E-006),
   (2.034616E+002,3.525547E-002,-1.225590E-008))
ROSETTA:VIR_H_PIXEL_MAP_COEF_DESC = (("C11", "C12", "C13"),
  ("C21", "C22", "C23"),
  ("C31", "C32", "C33"),
  ("C41", "C42", "C43"),
  ("C51", "C52", "C53"),
  ("C61", "C62", "C63"),
  ("C71", "C72", "C73"),
  ("C81", "C82", "C83"))

/* Pointer to navigation data files */
SPICE_FILE_NAME = ("ATNR_P040302093352_00041.BC",
                  "VIRTIS_ck2_F43P.bc",
                  "DE405S.BSP",
                  "ORHR_____00041.BSP",
                  "NAIF0008.TLS",
                  "ROS_060511_STEP.TSC",
                  "ros_virtis_v11.ti",
                  "ros_v08.tf",
                  "PCK00008.TPC")

/* Cube keywords*/
OBJECT = QUBE
AXES = 3
AXIS_NAME = (BAND, SAMPLE, LINE)
CORE_ITEMS = (3456, 64, 6)
```



ROSETTA – VIRTIS EAICD

Document No. : VIR-INAF-IC-002
Issue/Rev. No. : issue 1.0
Date : November 2007
Page : 46

```
CORE_ITEM_BYTES           = 2
CORE_ITEM_TYPE            = MSB_INTEGER
CORE_BASE                 = 0.0
CORE_MULTIPLIER           = 1.0
CORE_VALID_MINIMUM       = "NULL"
CORE_NULL                 = "NULL"
CORE_LOW_REPR_SATURATION  = -32768
CORE_LOW_INSTR_SATURATION = -32768
CORE_HIGH_REPR_SATURATION = 32767
CORE_HIGH_INSTR_SATURATION = 32767
CORE_NAME                 = RAW_DATA_NUMBER
CORE_UNIT                 = DIMENSIONLESS

SUFFIX_BYTES              = 2
SUFFIX_ITEMS              = (0, 1, 0)
SAMPLE_SUFFIX_NAME        = "HOUSEKEEPING PARAMETERS"
SAMPLE_SUFFIX_UNIT        = DIMENSIONLESS
SAMPLE_SUFFIX_ITEM_BYTES  = 2
SAMPLE_SUFFIX_ITEM_TYPE   = MSB_UNSIGNED_INTEGER
SAMPLE_SUFFIX_BASE        = 0.0
SAMPLE_SUFFIX_MULTIPLIER  = 1.0
SAMPLE_SUFFIX_VALID_MINIMUM = "NULL"
SAMPLE_SUFFIX_NULL        = 65535
SAMPLE_SUFFIX_LOW_REPR_SAT = 0
SAMPLE_SUFFIX_LOW_INSTR_SAT = 0
SAMPLE_SUFFIX_HIGH_REPR_SAT = 65535
SAMPLE_SUFFIX_HIGH_INSTR_SAT = 65535
^HOUSEKEEPING_DESCRIPTION = "VIRTIS_EAICD.TXT"
END_OBJECT = QUBE

END
```

7 Appendix C: Origin of the keyword values

The following table contains origin and possible values for Virtis M-Vis, M-Ir and H cubes. It should be noted that “constant” in the field “origin of value” mostly means that the value should be the same in all the files, not that it cannot never be changed.

KEYWORD	POSSIBLE VALUES	ORIGIN OF VALUES
PDS_VERSION_ID	PDS3	constant
LABEL_REVISION_NOTE	"SE-MTC, 01/03/2007"	constant
/* File format and length */		
PRODUCT_ID	Suffix indicating the channel + spacecraft clock reset number and the acquisition SC_CLOCK_START_COUNT (integer part).	
ORIGINAL_PRODUCT_ID		EGSE
RECORD_TYPE	FIXED_LENGTH	constant
RECORD_BYTES	512	constant
FILE_RECORDS		Total file length / RECORD_BYTES (closest integer greater than or equal to this value)
LABEL_RECORDS		Smallest integer large enough to accommodate the label up to END keyword (ie., label length in byte ≤ LABEL_RECORD * 512)
FILE_STATE	CLEAN	constant
/* Pointers to data objects */		
^HISTORY		LABEL_RECORDS +1
OBJECT	HISTORY	constant
DESCRIPTION	"NULL"	constant
END_OBJECT	HISTORY	constant
^QUBE		LABEL_RECORDS +2
/* Producer information */		
PRODUCER_ID	ROSETTA_VIRTIS_TEAM	constant
PRODUCER_FULL_NAME	"CORADINI"	constant
PRODUCER_INSTITUTION_NAME	"ISTITUTO NAZIONALE DI ASTROFISICA SPAZIALE"	Place where the PDS file is written
PRODUCT_CREATION_TIME	yyyy-mm-ddThh:mm:ss.fff	EGSE, formatted (UTC time when the PDS file is written)
TELEMETRY_SOURCE_ID	"VIRTIS_EGSE<n>"	EGSE (<n> is the version number of EGSE itself)
SOFTWARE_VERSION_ID	{"EGSE_SOFT_<n>", "PDS_CONVERTER_<p>"}	EGSE (<n> and <p> are the version numbers of EGSE software and PDS converter)
/* Data description parameters */		
DATA_SET_NAME	"ROSETTA-ORBITER CAL VIRTIS 2 CVP V1.0"	EGSE, with control from operator
DATA_SET_ID	"RO-CAL-VIRTIS-2-CVP-V1.0"	EGSE, with control from operator
RELEASE_ID	0001	Initial value from EGSE, can be changed
REVISION_ID	0000	Initial value from EGSE, can be changed
PRODUCT_TYPE	EDR	constant
STANDARD_DATA_PRODUCT_ID	"VIRTIS DATA"	constant
PROCESSING_LEVEL_ID	2	Same as in DATA_SET_ID EGSE, with control from operator
MISSION_NAME	"INTERNATIONAL ROSETTA MISSION"	constant
MISSION_ID	ROSETTA	constant
INSTRUMENT_HOST_NAME	"ROSETTA-ORBITER"	constant
INSTRUMENT_HOST_ID	RO	constant



ROSETTA – VIRTIS EAICD

Document No. : VIR-INAF-IC-002
 Issue/Rev. No. : issue 1.0
 Date : November 2007
 Page : 48

MISSION_PHASE_NAME	"COMMISSIONING"	EGSE, input string from operator
PI_PDS_USER_ID	CORADINI	constant
INSTRUMENT_NAME	"VISIBLE AND INFRARED THERMAL IMAGING SPECTROMETER"	constant
INSTRUMENT_ID	"VIRTIS"	constant
INSTRUMENT_TYPE	"IMAGING SPECTROMETER"	constant
INSTRUMENT_DESC	"VIRTIS_EAICD.TXT"	constant
ROSETTA:CHANNEL_ID	"VIRTIS_M_IR" "VIRTIS_M_VIS" " VIRTIS_H "	constant
DATA_QUALITY_ID	0 1 "NULL"	0 if lines are missing 1 if OK "NULL" is no diagnostic
DATA_QUALITY_DESC	"0:INCOMPLETE ; 1: COMPLETE"	constant
/* Science operations information */		
TARGET_TYPE	"PLANET" "CALIBRATION" "STAR"	EGSE, input string from operator
TARGET_NAME	"CALIBRATION" "EARTH" "VENUS" "SATURN" "ALDEBARAN" "ALPHA GRUS" "VEGA"	EGSE, input string from operator
START_TIME	yyyy-mm-ddThh:mm:ss.fff	Corrected S/C time in flight (UTC), from RSOC
STOP_TIME	yyyy-mm-ddThh:mm:ss.fff or "NULL"	Corrected S/C time in flight (UTC) , from RSOC
SPACECRAFT_CLOCK_START_COUNT	"n/ssssssssss.ffff"	Formatted, from TM packet data field header. n is increased after each resynchronization of the S/C clock, starting from 1
SPACECRAFT_CLOCK_STOP_COUNT	"n/ssssssssss.ffff"	Formatted, from TM packet data field header n is increased after each resynchronization of the S/C clock, starting from 1
ORBIT_NUMBER	N/A	
OBSERVATION_TYPE		
SC_SUN_POSITION_VECTOR		From navigation information
SC_TARGET_POSITION_VECTOR		From navigation information
SC_TARGET_VELOCITY_VECTOR		From navigation information
COORDINATE_SYSTEM_ID	"NULL"	From navigation information
COORDINATE_SYSTEM_NAME	"PLANETOCENTRIC"	constant
DECLINATION		From navigation information, if inertial pointing
RIGHT_ASCENSION		From navigation information, if inertial pointing
MAXIMUM_LATITUDE		To be filled from navigation info. In decimal degrees.
MINIMUM_LATITUDE		To be filled from navigation info. In decimal degrees.
EASTERNMOST_LONGITUDE		To be filled from navigation info. In decimal degrees, Eastward longitudes
WESTERNMOST_LONGITUDE		To be filled from navigation info. In decimal degrees, Eastward longitudes
SPACECRAFT_ALTITUDE		To be filled from navigation info. Unit <KM> must be present
PHASE_ANGLE		To be filled from navigation



ROSETTA – VIRTIS EAICD

Document No. : VIR-INAF-IC-002
 Issue/Rev. No. : issue 1.0
 Date : November 2007
 Page : 49

		info
SUB_SPACECRAFT_LATITUDE		To be filled from navigation info
SUB_SPACECRAFT_LONGITUDE		To be filled from navigation info.
SOLAR_DISTANCE		To be filled from navigation info.
SUB_SOLAR_LONGITUDE		To be filled from navigation info.
SUB_SOLAR_LATITUDE		To be filled from navigation info.
/* Instrument status */		
INSTRUMENT_MODE_ID	<p>1 M_Off 2 M_Cool_Down 3 M_Idle 4 M_Annealing 5 M_PEM_On 6 M_Test 7 M_Calibration 8 M_Science_High_Spectral_1 9 M_Science_High_Spectral_2 10 M_Science_High_Spectral_3 11 M_Science_High_Spatial_1 12 M_Science_High_Spatial_2 13 M_Science_High_Spatial_3 14 M_Science_Nominal_1 15 M_Science_Nominal_2 16 M_Science_Nominal_3 17 M_Science_Nominal_Compressed 18 M_Science_Reduced_Slit 19 M_User_Defined 20 M_Degraded 63 M_ME_Test</p> <p>1 H_Off 2 H_Cool_Down 3 H_Idle 4 H_Annealing 5 H_PEM_On 6 H_Test 7 H_Calibration 8 H_Nominal_Simulation 9 H_Science_Maximum_Data_Rate 10 H_Science_Nominal_Data_Rate 11 H_Science_Minimum_Data_Rate 12 (deleted) 13 H_Science_Backup 14 H_User_Defined 15 (deleted) 16 (deleted) 17 (deleted) 18 H_Spectral_Calibration_Simulation 19 H_Degraded 63 H_ME_Test</p>	<p>-M channel; from ME_default_HK V_MODE</p> <p>-H channel; from ME_default_HK V_MODE</p>
^INSTRUMENT_MODE_DESC	"VIRTIS_EAICD.TXT"	constant
INST_CMPRS_NAME	"NONE" "REVERSIBLE" "WAVELET"	
INST_CMPRS_RATE	16 n/a 2 1.5 1	16 applies when INST_CMPRS_NAME is "NONE", N/A when its is "REVERSIBLE"; when INST_CMPRS_NAME is WAVELET, this kw can take the values 2,1.5 and 1, depending on the compression ratio.



ROSETTA – VIRTIS EAICD

Document No. : VIR-INAF-IC-002
 Issue/Rev. No. : issue 1.0
 Date : November 2007
 Page : 50

INST_CMPRS_RATIO		Effective compression ratio, computed when the data are received on ground
ROSETTA: VIR_VIS_START_X_POSITION	(0 to 437)	(From event reporting TM M_DUMP_FUNCTIONAL_PARAMETERS) M_CCD_WIN_X1
ROSETTA: VIR_VIS_START_Y_POSITION	(0 to 255)	(From event reporting TM M_DUMP_FUNCTIONAL_PARAMETERS) M_CCD_WIN_Y1
ROSETTA: VIR_IR_START_X_POSITION	(0 to 437)	(From event reporting TM M_DUMP_FUNCTIONAL_PARAMETERS) M_IR_WIN_X1
ROSETTA: VIR_IR_START_Y_POSITION	(0 to 255)	(From event reporting TM M_DUMP_FUNCTIONAL_PARAMETERS) M_IR_WIN_Y1
ROSETTA:SCAN_MODE_ID	0: Pushbroom (point) 1: Full scan 2: Off	From event reporting TM M_DUMP_FUNCTIONAL_PARAMETERS, M_SU
SCAN_PARAMETER		From event reporting TM M_DUMP_FUNCTIONAL_PARAMETERS, respectively: <ul style="list-style-type: none"> • M_αfirst • M_αlast • M_Δα • M_NαIRT
SCAN_PARAMETER_DESC	("SCAN_START_ANGLE", "SCAN_STOP_ANGLE", "SCAN_STEP_ANGLE", "SCAN_STEP_NUMBER")	constant
SCAN_PARAMETER_UNIT	("DEGREE", "DEGREE", "DEGREE", "DIMENSIONLESS")	constant
FRAME_PARAMETER		<p>-M channel</p> <ul style="list-style-type: none"> • First value from M_IR HK: M_IR_EXPO *10 <s> • 2nd and 3rd values from event reporting TM M_DUMP_OPERATIONAL_PARAMETERS: • M_SS • M_ERT (decoded, in s) • 4th value from M_DUMP_FUNCTIONAL_PARAMETER: M_D/BCK_RATE <p>-H channel</p> <p>From event reporting TM H_DUMP_OPERATIONAL_PARAMETER)</p> <ul style="list-style-type: none"> • First value: = [(H_INT_SCIENCE_NUM2*1024) + H_INT_SCIENCE_NUM1] * 512/1000 <ms> • Second value (number of summed frames) : = 1 if H_Sum = 0 = H_N_Sum_Frame if H_SUM =1 • Third value (acquisition rate): = H_N_FRAME if H_Sum = 0 = 1 if H_SUM =1



**ROSETTA – VIRTIS
EAICD**

Document No. : VIR-INAF-IC-002
 Issue/Rev. No. : issue 1.0
 Date : November 2007
 Page : 51

		<p>• Fourth value: if H_SUM = 0: = { [(H_INT_SCIENCE_NUM2*1 024) + H_INT_SCIENCE_NUM1] * 512/1000 + Ttrf } * H_N_FRAME if H_SUM = 1 : = { [(H_INT_SCIENCE_NUM2*1 024) + H_INT_SCIENCE_NUM1] * 512/1000 + Ttrf } where: Ttrf = 366.756 (ms) in spectrum or 64-spectral slice transfer mode Ttrf = 1275.576 (ms) in image transfer mode (Ttrf = readout + idle time) • Fifth value: H_DARK_RATE</p>
FRAME_PARAMETER_DESC	<p>("EXPOSURE_DURATION", "FRAME_SUMMING", "EXTERNAL_REPETITION_TIME", "DARK_ACQUISITION_RATE")</p> <p>("EXPOSURE_DURATION", "FRAME_SUMMING", "FRAME_ACQUISITION_RATE", "INTERNAL_REPETITION_TIME", "DARK_ACQUISITION_RATE")</p>	<p>-M channel, constant</p> <p>-H channel, constant</p>
FRAME_PARAMETER_UNIT	<p>("S", "DIMENSIONLESS", "S", "DIMENSIONLESS")</p> <p>("MS", "DIMENSIONLESS", "DIMENSIONLESS", "MS", "DIMENSIONLESS")</p>	<p>-M channel, constant</p> <p>-H channel, constant</p>
MAXIMUM_INSTRUMENT_TEMPERATURE		<p>-M channel Respectively from: • M_IR HK, M_IR_TEMP • M_IR HK, M_TELE_TEMP • M_IR HK, M_SPECT_TEMP • ME/M general HK, M_COOL_TIP_TEMP Maximum values encountered in the file for the parameters. All are given in K (decoded).</p> <p>-H channel Respectively from: • H HK, HKMs_Temp_FPA • H HK, HKMs_Temp_Grating • H HK, HKMs_Temp_Prism • ME/H general HK, H_COOL_TIP_TEMP Maximum values encountered in the file for the parameters. All are given in K (decoded).</p>
INSTRUMENT_TEMPERATURE_POINT	<p>("FOCAL_PLANE", "TELESCOPE", "SPECTROMETER", "CRYOCOOLER")</p> <p>("FOCAL_PLANE", "GRATING", "PRISM", "CRYOCOOLER")</p>	<p>-M channel, constant</p> <p>-H channel, constant</p>



ROSETTA – VIRTIS EAICD

Document No. : VIR-INAF-IC-002
 Issue/Rev. No. : issue 1.0
 Date : November 2007
 Page : 52

INSTRUMENT_TEMPERATURE_UNIT	("K", "K", "K", "K")	constant
/* Keywords related only to H_files*/		
ROSETTA: VIR_H_START_X_POSITION	(0 to 7)	From event reporting TM H_DUMP_FUNCTIONAL_P ARAMETERS: H_XWIN
ROSETTA: VIR_H_START_Y_POSITION	(0 to 15)	From event reporting TM H_DUMP_FUNCTIONAL_P ARAMETERS: H_YWIN
ROSETTA:VIRTIS_DEAD_PIXEL_MAP_FILE_NAME	"DEADPIXELMAP.DAT"	EGSE (external file name) File used during acquisition
ROSETTA:VIRTIS_H_PIXEL_MAP_COEF		From event reporting TM H_DUMP_PIXEL_MAP_PA RAMETERS (24 coefficients for the pixel map)
ROSETTA:VIRTIS_H_PIXEL_MAP_COEF_DESC	(("C11", "C12", "C13"), ("C21", "C22", "C23"), ("C31", "C32", "C33"), ("C41", "C42", "C43"), ("C51", "C52", "C53"), ("C61", "C62", "C63"), ("C71", "C72", "C73"), ("C81", "C82", "C83"))	constant
/* Pointer to navigation data files*/		
SPICE_FILE_NAME		EGSE (navigation file name)
/* Cube keywords */		
OBJECT	QUBE	constant
AXES	3	constant
AXIS_NAME	(BAND,SAMPLE,LINE)	constant
CORE_ITEMS	(x,y,z)	x, y depend on operative mode z depend on session duration
CORE_ITEM_BYTES	2	constant
CORE_ITEM_TYPE	MSB_INTEGER	constant
CORE_BASE	0.0	constant
CORE_MULTIPLIER	1.0	constant
CORE_VALID_MINIMUM	"NULL"	constant
CORE_NULL	"NULL"	constant
CORE_LOW_REPR_SATURATION	-32768	constant
CORE_LOW_INSTR_SATURATION	-32768	constant
CORE_HIGH_REPR_SATURATION	32767	constant
CORE_HIGH_INSTR_SATURATION	32767	constant
CORE_NAME	RAW_DATA_NUMBER	constant
CORE_UNIT	DIMENSIONLESS	constant
SUFFIX_BYTES	2	constant
SUFFIX_ITEMS	(0, NI_s ,0)	NI_s = number of lines required to store the HK (depends on operational parameters)
SAMPLE_SUFFIX_NAME	"HOUSEKEEPING PARAMETERS"	constant
SAMPLE_SUFFIX_UNIT	DIMENSIONLESS	constant
SAMPLE_SUFFIX_ITEM_BYTES	2	constant
SAMPLE_SUFFIX_ITEM_TYPE	MSB_INTEGER	constant
SAMPLE_SUFFIX_BASE	0.0	constant
SAMPLE_SUFFIX_MULTIPLIER	1.0	constant
SAMPLE_SUFFIX_VALID_MINIMUM	"NULL"	constant
SAMPLE_SUFFIX_NULL	65535	constant
SAMPLE_SUFFIX_LOW_REPR_SAT	0	constant
SAMPLE_SUFFIX_LOW_INSTR_SAT	0	constant
SAMPLE_SUFFIX_HIGH_REPR_SAT	65535	constant
SAMPLE_SUFFIX_HIGH_INSTR_SAT	65535	constant



ROSETTA – VIRTIS EAICD

Document No. : VIR-INAF-IC-002
Issue/Rev. No. : issue 1.0
Date : November 2007
Page : 53

^HOUSEKEEPING_DESCRIPTION	"VIRTIS.EAICD.TEXT"	constant
END_OBJECT	QUBE	constant
(blank)		
END		No associated value, must end in CR-LF

8 Appendix D: Structure of H- and M- files sideplanes

The following tables show the details of how the sideplanes of VIRTIS qubes are organized. For each word in the sideplane (first column), it is given the telemetry file (second column), the field, word number and data field in that telemetry from which the information is extracted. The word is copied from the telemetry and deposited in the sideplane as it is, without any change.

Table D.1: Elemental HK structure for M files sideplane

Word number	Origin TM	Field in this TM	Word number in this TM	Data Field
1	First Science reporting TM for this frame	Data Field Header	4	SCET data, 1 st word
2	–	–	5	SCET data, 2 nd word
3	–	–	6	SCET data, 3 rd word
4	–	Science Data Header	9	Acquisition ID
5	–	–	10	Number of sub-slices + first serial number
6	–	–	12	Data Type
7	0	0	–	FAKE, SPARE SPACE
8	VTM_ME_Default_HK_Report (SID1)	Data Field Header	4	SCET periodic HK, 1 st word
9	–	–	5	SCET periodic HK, 2 nd word
10	–	–	6	SCET periodic HK, 3 rd word
11	–	Source Data	10	V_MODE
12	–	–	11	ME_PWR_STAT
13	–	–	12	ME_PS_TEMP
14	–	–	13	ME_DPU_TEMP
15	–	–	14	ME_DHSU_VOLT
16	–	–	15	ME_DHSU_CURR
17	–	–	16	EEPROM_VOLT
18	–	–	17	IF_ELECTR_VOLT
19	0	0	–	FAKE, SPARE SPACE
20	MTM_ME_General_HK_Report (SID2)	Data Field Header	4	SCET periodic HK, 1 st word
21	–	–	5	SCET periodic HK, 2 nd word
22	–	–	6	SCET periodic HK, 3 rd word
23	–	Source Data	10	M_ECA_STAT
24	–	–	11	M_COOL_STAT
25	–	–	12	M_COOL_TIP_TEMP
26	–	–	13	M_COOL_MOT_VOLT
27	–	–	14	M_COOL_MOT_CURR
28	–	–	15	M_CCE_SEC_VOLT
29	0	0	–	FAKE, SPARE SPACE
30	MTM_VIS_HK_Report (SID4)	Data Field Header	4	SCET HK, 1 st word
31	–	–	5	SCET HK, 2 nd word
32	–	–	6	SCET HK, 3 rd word
33	–	Source Data	10	M_CCD_VDR_HK
34	–	–	11	M_CCD_VDD_HK
35	–	–	12	M_+5_VOLT
36	–	–	13	M_+12_VOLT
37	–	–	14	M_-12_VOLT
38	–	–	15	M_+20_VOLT
39	–	–	16	M_+21_VOLT
40	–	–	17	M_CCD_LAMP_VOLT
41	–	–	18	M_CCD_TEMP_OFFSET
42	–	–	19	M_CCD_TEMP
43	–	–	20	M_CCD_TEMP_RES
44	–	–	21	M_RADIATOR_TEMP
45	–	–	22	M_LEDGE_TEMP
46	–	–	23	OM_BASE_TEMP
47	–	–	24	H_COOLER_TEMP
48	–	–	25	M_COOLER_TEMP

49	--	--	26	M_CCD_WIN_X1
50	--	--	27	M_CCD_WIN_Y1
51	--	--	28	M_CCD_WIN_X2
52	--	--	29	M_CCD_WIN_Y2
53	--	--	30	M_CCD_DELAY
54	--	--	31	M_CCD_EXPO
55	--	--	32	M_MIRROR_SIN_HK
56	--	--	33	M_MIRROR_COS_HK
57	--	--	34	M_VIS_FLAG_ST
58	0	0		FAKE, SPARE SPACE
59	MTM_IR_HK_Report (SID5)	Data Field Header	4	SCET HK, 1 st word
60	--	--	5	SCET HK, 2 nd word
61	--	--	6	SCET HK, 3 rd word
62	--	Source Data	10	M_IR_VDETCOM_HK
63	--	--	11	M_IR_VDETADJ_HK
64	--	--	12	M_IR_VPOS
65	--	--	13	M_IR_VDP
66	--	--	14	M_IR_TEMP_OFFSET
67	--	--	15	M_IR_TEMP
68	--	--	16	M_IR_TEMP_RES
69	--	--	17	M_SHUTTER_TEMP
70	--	--	18	M_GRATING_TEMP
71	--	--	19	M_SPECT_TEMP
72	--	--	20	M_TELE_TEMP
73	--	--	21	M_SU_MOTOR_TEMP
74	--	--	22	M_IR_LAMP_VOLT
75	--	--	23	M_SU_MOTOR_CURR
76	--	--	24	M_IR_WIN_Y1
77	--	--	25	M_IR_WIN_Y2
78	--	--	26	M_IR_DELAY
79	--	--	27	M_IR_EXPO
80	--	--	28	M_IR_LAMP_SHUTTER
81	--	--	29	M_IR_FLAG_ST
82	0	0		FAKE, SPARE SPACE

Table D.2: Elemental HK structure for H files sideplane

Word number	Origin TM	Field in this TM	Word number in this TM	Data Field
1	First Science reporting TM for this frame	Data Field Header	4	SCET data, 1 st word
2	--	--	5	SCET data, 2 nd word
3	--	--	6	SCET data, 3 rd word
4	--	Science Data Header	9	Acquisition ID
5	--	--	10	Number of sub-slices + first serial number
6	--	--	12	Data Type
7	0	0		FAKE, SPARE SPACE
8	VTM_ME_Default_HK_Report (SID1)	Data Field Header	4	SCET periodic HK, 1 st word
9	--	--	5	SCET periodic HK, 2 nd word
10	--	--	6	SCET periodic HK, 3 rd word
11	--	Source Data	10	V_MODE
12	--	--	11	ME_PWR_STAT
13	--	--	12	ME_PS_TEMP
14	--	--	13	ME_DPU_TEMP
15	--	--	14	ME_DHSU_VOLT
16	--	--	15	ME_DHSU_CURR
17	--	--	16	EEPROM_VOLT
18	--	--	17	IF_ELECTR_VOLT
19	0	0		FAKE, SPARE SPACE
20	HTM_ME_General_HK	Data Field Header	4	SCET periodic HK, 1 st word



	_Report (SID3)			
21	--	--	5	SCET periodic HK, 2 nd word
22	--	--	6	SCET periodic HK, 3 rd word
23	--	Source Data	10	H_ECA_STAT
24	--	--	11	H_COOL_STAT
25	--	--	12	H_COOL_TIP_TEMP
26	--	--	13	H_COOL_MOT_VOLT
27	--	--	14	H_COOL_MOT_CURR
28	--	--	15	H_CCE_SEC_VOLT
29	0	0		FAKE, SPARE SPACE
30	HTM_HK_Report (SID6)	Data Field Header	4	SCET HK, 1 st word
31	--	--	5	SCET HK, 2 nd word
32	--	--	6	SCET HK, 3 rd word
33	--	Source Data	10	HKRq_Int_Num2
34	--	--	11	HKRq_Int_Num1
35	--	--	12	HKRq_Bias
36	--	--	13	HKRq_I_Lamp
37	--	--	14	HKRq_I_Shutter
38	--	--	15	HKRq_PEM_Mode
39	--	--	16	HKRq_Test_Init
40	--	--	17	HK_Rq_Device/On
41	--	--	18	HKRq_Cover
42	--	--	19	HKMs_Status
43	--	--	20	HKMs_V_Line_Ref
44	--	--	21	HKMs_Vdet_Dig
45	--	--	22	HKMs_Vdet_Ana
46	--	--	23	HKMs_V_Detcom
47	--	--	24	HKMs_V_Detadj
48	--	--	25	HKMs_V+5
49	--	--	26	HKMs_V+12
50	--	--	27	HKMs_V+21
51	--	--	28	HKMs_V-12
52	--	--	29	HKMs_Temp_Vref
53	--	--	30	HKMs_Det_Temp
54	--	--	31	HKMs_Gnd
55	--	--	32	HKMs_I_Vdet_Ana
56	--	--	33	HKMs_I_Vdet_Dig
57	--	--	34	HKMs_I_+5
58	--	--	35	HKMs_I_+12
59	--	--	36	HKMs_I_Lamp
60	--	--	37	HKMs_I_Shutter/Heater
61	--	--	38	HKMs_Temp_Prism
62	--	--	39	HKMs_Temp_Cal_S
63	--	--	40	HKMs_Temp_Cal_T
64	--	--	41	HKMs_Temp_Shut
65	--	--	42	HKMs_Temp_Grating
66	--	--	43	HKMs_Temp_Objective
67	--	--	44	HKMs_Temp_FPA
68	--	--	45	HKMs_Temp_PEM
69	--	--	46	HKDH_Last_Sent_Request
70	--	--	47	HKDH_Stop_Readout_Flag
71	0	0		FAKE, SPARE SPACE
72	0	0		FAKE, SPARE SPACE



9 Appendix E: Dataset table

ROSETTA-ORBITER CAL VIRTIS 2 CVP V1.0

This dataset contains all the data acquired during the commissioning phase of the mission, from March, 5 to October, 16 2004. The table contains: qube filename, target name, qube sizes, start and stop time of the observation.

PRODUCT_ID	TARGET_NAME	CORE_ITEMS (S,B,L)	START_TIME	STOP_TIME
H1_00038801388.QUB	CALIBRATION	(432, 256, 7)	2004-03-25T02:10:02.479	2004-03-25T02:12:59.582
H1_00038804129.QUB	CALIBRATION	(432, 256, 214)	2004-03-25T02:55:43.395	2004-03-25T03:19:58.343
H1_00038806901.QUB	CALIBRATION	(432, 256, 7)	2004-03-25T03:41:55.485	2004-03-25T03:44:54.292
H1_00038808417.QUB	CALIBRATION	(432, 256, 7)	2004-03-25T04:07:11.579	2004-03-25T04:10:08.145
H1_00038810271.QUB	CALIBRATION	(432, 256, 3)	2004-03-25T04:38:05.522	2004-03-25T04:38:27.844
H1_00038810393.QUB	CALIBRATION	(432, 256, 3)	2004-03-25T04:40:07.270	2004-03-25T04:40:29.877
H1_00038810514.QUB	CALIBRATION	(432, 256, 3)	2004-03-25T04:42:07.905	2004-03-25T04:42:30.757
H1_00038849063.QUB	CALIBRATION	(432, 256, 7)	2004-03-25T15:24:37.525	2004-03-25T15:27:41.598
H1_00038854654.QUB	CALIBRATION	(432, 256, 7)	2004-03-25T16:57:48.546	2004-03-25T17:00:52.640
H1_00038881579.QUB	CALIBRATION	(432, 256, 7)	2004-03-26T00:26:33.624	2004-03-26T00:29:37.658
H1_00038891131.QUB	CALIBRATION	(432, 256, 7)	2004-03-26T03:05:45.615	2004-03-26T03:08:49.703
H1_00038895167.QUB	CALIBRATION	(432, 256, 7)	2004-03-26T04:13:01.684	2004-03-26T04:16:05.741
H1_00041944059.QUB	CALIBRATION	(432, 256, 7)	2004-04-30T11:07:54.506	2004-04-30T11:10:54.667
H1_00041949952.QUB	CALIBRATION	(432, 256, 21)	2004-04-30T12:46:06.887	2004-04-30T12:49:55.245
H1_00041950321.QUB	CALIBRATION	(432, 256, 16)	2004-04-30T12:52:15.916	2004-04-30T12:55:05.176
H1_00041950852.QUB	CALIBRATION	(432, 256, 21)	2004-04-30T13:01:06.952	2004-04-30T13:04:55.312
H1_00041951221.QUB	CALIBRATION	(432, 256, 16)	2004-04-30T13:07:15.894	2004-04-30T13:10:05.155
H1_00041951752.QUB	CALIBRATION	(432, 256, 21)	2004-04-30T13:16:06.931	2004-04-30T13:19:55.291
H1_00041952121.QUB	CALIBRATION	(432, 256, 16)	2004-04-30T13:22:15.873	2004-04-30T13:25:05.145
H1_00041952652.QUB	CALIBRATION	(432, 256, 21)	2004-04-30T13:31:06.908	2004-04-30T13:34:55.269
H1_00041953021.QUB	CALIBRATION	(432, 256, 16)	2004-04-30T13:37:15.822	2004-04-30T13:40:05.941
H1_00041953552.QUB	CALIBRATION	(432, 256, 21)	2004-04-30T13:46:07.375	2004-04-30T13:49:55.448
H1_00041953921.QUB	CALIBRATION	(432, 256, 16)	2004-04-30T13:52:15.909	2004-04-30T13:55:05.177
H1_00041954452.QUB	CALIBRATION	(432, 256, 21)	2004-04-30T14:01:06.940	2004-04-30T14:04:55.345
H1_00041954821.QUB	CALIBRATION	(432, 256, 16)	2004-04-30T14:07:15.861	2004-04-30T14:10:05.124
H1_00041955352.QUB	CALIBRATION	(432, 256, 21)	2004-04-30T14:16:06.894	2004-04-30T14:19:55.257
H1_00041955721.QUB	CALIBRATION	(432, 256, 16)	2004-04-30T14:22:15.840	2004-04-30T14:25:05.111
H1_00041956252.QUB	CALIBRATION	(432, 256, 21)	2004-04-30T14:31:06.874	2004-04-30T14:34:55.290
H1_00041956621.QUB	CALIBRATION	(432, 256, 16)	2004-04-30T14:37:15.933	2004-04-30T14:40:05.204
H1_00041957152.QUB	CALIBRATION	(432, 256, 21)	2004-04-30T14:46:06.968	2004-04-30T14:49:55.323
H1_00041957521.QUB	CALIBRATION	(432, 256, 16)	2004-04-30T14:52:15.907	2004-04-30T14:55:05.171
H1_00053416177.QUB	CALIBRATION	(432, 256, 7)	2004-09-10T05:49:54.621	2004-09-10T05:52:54.182
H1_00053418015.QUB	ALDEBARAN	(432, 256, 144)	2004-09-10T06:20:31.924	2004-09-10T07:41:59.704
H1_00054983978.QUB	CALIBRATION	(432, 256, 7)	2004-09-28T09:19:54.927	2004-09-28T09:22:54.493
H1_00054984690.QUB	SATURN	(432, 256, 47)	2004-09-28T09:31:47.141	2004-09-28T09:48:06.226
H1_00054985839.QUB	CALIBRATION	(432, 256, 36)	2004-09-28T09:50:56.199	2004-09-28T10:09:11.155



H1_00054987159.QUB	CALIBRATION	(432, 256, 18)	2004-09-28T10:12:56.258	2004-09-28T10:30:18.104
H1_00054992701.QUB	VENUS	(432, 256, 105)	2004-09-28T11:45:18.861	2004-09-28T13:35:38.211
H1_00055160078.QUB	CALIBRATION	(432, 256, 7)	2004-09-30T10:14:54.970	2004-09-30T10:17:54.540
H1_00055160792.QUB	CALIBRATION	(432, 256, 7)	2004-09-30T10:26:49.749	2004-09-30T10:30:01.573
H1_00055161181.QUB	CALIBRATION	(432, 256, 4)	2004-09-30T10:33:18.786	2004-09-30T10:36:09.683
H1_00055163192.QUB	CALIBRATION	(432, 256, 7)	2004-09-30T11:06:49.844	2004-09-30T11:10:01.673
H1_00055163581.QUB	CALIBRATION	(432, 256, 4)	2004-09-30T11:13:18.888	2004-09-30T11:16:09.170
H1_00055166792.QUB	CALIBRATION	(432, 256, 7)	2004-09-30T12:06:49.667	2004-09-30T12:10:01.489
H1_00055167181.QUB	CALIBRATION	(432, 256, 4)	2004-09-30T12:13:18.717	2004-09-30T12:16:08.993
S1_00038801625.QUB	CALIBRATION	(3456, 1, 2)	2004-03-25T02:13:59.547	2004-03-25T02:14:01.142
S1_00038802327.QUB	CALIBRATION	(3456, 1, 104)	2004-03-25T02:25:40.823	2004-03-25T02:51:38.396
S1_00038807105.QUB	CALIBRATION	(3456, 1, 2)	2004-03-25T03:45:19.200	2004-03-25T03:45:21.943
S1_00038808618.QUB	CALIBRATION	(3456, 1, 2)	2004-03-25T04:10:32.425	2004-03-25T04:10:34.212
S1_00038809503.QUB	CALIBRATION	(3456, 1, 7)	2004-03-25T04:25:16.929	2004-03-25T04:26:47.664
S1_00038809687.QUB	CALIBRATION	(3456, 1, 7)	2004-03-25T04:28:21.620	2004-03-25T04:32:52.451
S1_00038810077.QUB	CALIBRATION	(3456, 1, 7)	2004-03-25T04:34:50.978	2004-03-25T04:36:21.707
S1_00038810628.QUB	CALIBRATION	(3456, 1, 35)	2004-03-25T04:44:02.196	2004-03-25T04:58:22.849
S1_00038811591.QUB	CALIBRATION	(3456, 1, 42)	2004-03-25T05:00:05.149	2004-03-25T05:14:38.620
S1_00038812555.QUB	CALIBRATION	(3456, 1, 30)	2004-03-25T05:16:09.202	2004-03-25T05:30:40.795
S1_00038813698.QUB	CALIBRATION	(3456, 1, 25)	2004-03-25T05:35:12.337	2004-03-25T05:50:51.232
S1_00038814843.QUB	CALIBRATION	(3456, 1, 10)	2004-03-25T05:54:16.972	2004-03-25T06:27:28.966
S1_00038817170.QUB	CALIBRATION	(3456, 1, 13)	2004-03-25T06:33:04.428	2004-03-25T07:08:03.653
S1_00038849311.QUB	CALIBRATION	(3456, 1, 2)	2004-03-25T15:28:45.552	2004-03-25T15:28:49.137
S1_00038854904.QUB	CALIBRATION	(3456, 1, 2)	2004-03-25T17:01:58.103	2004-03-25T17:02:01.593
S1_00038881829.QUB	CALIBRATION	(3456, 1, 2)	2004-03-26T00:30:43.203	2004-03-26T00:30:46.786
S1_00038882189.QUB	CALIBRATION	(3456, 1, 37)	2004-03-26T00:36:43.679	2004-03-26T00:45:56.801
S1_00038882940.QUB	CALIBRATION	(3456, 1, 29)	2004-03-26T00:49:14.379	2004-03-26T01:07:29.751
S1_00038884311.QUB	CALIBRATION	(3456, 1, 9)	2004-03-26T01:12:04.932	2004-03-26T01:41:35.582
S1_00038886338.QUB	CALIBRATION	(3456, 1, 10)	2004-03-26T01:45:52.688	2004-03-26T02:12:06.760
S1_00038891381.QUB	CALIBRATION	(3456, 1, 2)	2004-03-26T03:09:54.900	2004-03-26T03:09:58.484
S1_00038895417.QUB	CALIBRATION	(3456, 1, 2)	2004-03-26T04:17:11.390	2004-03-26T04:17:14.977
S1_00038901486.QUB	CALIBRATION	(3456, 1, 14)	2004-03-26T05:58:20.651	2004-03-26T06:36:14.454
S1_00041944300.QUB	CALIBRATION	(3456, 1, 2)	2004-04-30T11:11:55.573	2004-04-30T11:11:57.160
S1_00053416420.QUB	CALIBRATION	(3456, 1, 2)	2004-09-10T05:53:56.738	2004-09-10T05:53:58.841
S1_00054984220.QUB	CALIBRATION	(3456, 1, 2)	2004-09-28T09:23:57.443	2004-09-28T09:23:59.147
S1_00055160320.QUB	CALIBRATION	(3456, 1, 2)	2004-09-30T10:18:57.112	2004-09-30T10:18:59.215
S1_00056272934.QUB	CALIBRATION	(3456, 1, 233)	2004-10-13T07:22:31.836	2004-10-13T08:21:00.130
S1_00056348534.QUB	CALIBRATION	(3456, 1, 233)	2004-10-14T04:22:31.841	2004-10-14T05:21:00.137
T1_00038802423.QUB	CALIBRATION	(3456, 64, 16)	2004-03-25T02:27:17.567	2004-03-25T02:51:30.148
T1_00038809599.QUB	CALIBRATION	(3456, 64, 1)	2004-03-25T04:26:53.161	2004-03-25T04:26:53.161
T1_00038809975.QUB	CALIBRATION	(3456, 64, 1)	2004-03-25T04:33:08.941	2004-03-25T04:33:08.941
T1_00038810173.QUB	CALIBRATION	(3456, 64, 1)	2004-03-25T04:36:27.212	2004-03-25T04:36:27.212
T1_00038810789.QUB	CALIBRATION	(3456, 64, 5)	2004-03-25T04:46:43.321	2004-03-25T04:57:30.172
T1_00038811726.QUB	CALIBRATION	(3456, 64, 6)	2004-03-25T05:02:20.653	2004-03-25T05:13:42.765
T1_00038812746.QUB	CALIBRATION	(3456, 64, 4)	2004-03-25T05:19:20.292	2004-03-25T05:28:57.691
T1_00038813852.QUB	CALIBRATION	(3456, 64, 6)	2004-03-25T05:37:46.492	2004-03-25T05:50:48.909
T1_00038815727.QUB	CALIBRATION	(3456, 64, 2)	2004-03-25T06:09:00.931	2004-03-25T06:23:46.258
T1_00038817914.QUB	CALIBRATION	(3456, 64, 2)	2004-03-25T06:45:28.165	2004-03-25T06:57:51.894
T1_00038882251.QUB	CALIBRATION	(3456, 64, 9)	2004-03-26T00:37:44.884	2004-03-26T00:45:52.921



T1_00038883094.QUB	CALIBRATION	(3456, 64, 7)	2004-03-26T00:51:48.543	2004-03-26T01:07:27.422
T1_00038885195.QUB	CALIBRATION	(3456, 64, 2)	2004-03-26T01:26:48.878	2004-03-26T01:41:34.215
T1_00038887082.QUB	CALIBRATION	(3456, 64, 2)	2004-03-26T01:58:16.424	2004-03-26T02:10:40.153
T1_00038902230.QUB	CALIBRATION	(3456, 64, 3)	2004-03-26T06:10:44.377	2004-03-26T06:35:31.849
T1_00056273030.QUB	CALIBRATION	(3456, 64, 36)	2004-10-13T07:24:08.622	2004-10-13T08:20:35.391
T1_00056348630.QUB	CALIBRATION	(3456, 64, 36)	2004-10-14T04:24:08.748	2004-10-14T05:20:35.393
I1_00038798805.QUB	CALIBRATION	(144, 64, 46)	2004-03-25T01:26:59.689	2004-03-25T01:30:49.105
I1_00038799188.QUB	CALIBRATION	(144, 64, 51)	2004-03-25T01:33:22.321	2004-03-25T01:37:36.783
I1_00038799584.QUB	CALIBRATION	(144, 64, 42)	2004-03-25T01:39:58.297	2004-03-25T01:43:27.696
I1_00038800106.QUB	CALIBRATION	(432, 256, 35)	2004-03-25T01:48:40.219	2004-03-25T02:00:03.209
I1_00038802315.QUB	CALIBRATION	(144, 64, 315)	2004-03-25T02:25:29.671	2004-03-25T02:51:44.959
I1_00038804091.QUB	CALIBRATION	(144, 64, 298)	2004-03-25T02:55:05.377	2004-03-25T03:19:54.820
I1_00038805789.QUB	CALIBRATION	(432, 256, 35)	2004-03-25T03:23:23.310	2004-03-25T03:34:46.359
I1_00038807497.QUB	CALIBRATION	(432, 256, 35)	2004-03-25T03:51:50.848	2004-03-25T04:03:13.864
I1_00038808922.QUB	CALIBRATION	(144, 64, 2)	2004-03-25T04:15:36.719	2004-03-25T04:15:45.957
I1_00038809023.QUB	CALIBRATION	(432, 64, 6)	2004-03-25T04:17:17.308	2004-03-25T04:17:46.115
I1_00038809145.QUB	CALIBRATION	(144, 256, 5)	2004-03-25T04:19:19.393	2004-03-25T04:19:43.805
I1_00038809267.QUB	CALIBRATION	(144, 64, 6)	2004-03-25T04:21:21.404	2004-03-25T04:21:50.798
I1_00038809390.QUB	CALIBRATION	(144, 64, 6)	2004-03-25T04:23:24.274	2004-03-25T04:23:53.696
I1_00038813701.QUB	CALIBRATION	(432, 256, 188)	2004-03-25T05:35:15.567	2004-03-25T05:50:54.916
I1_00038814824.QUB	CALIBRATION	(144, 64, 143)	2004-03-25T05:53:58.251	2004-03-25T06:29:44.905
I1_00038817139.QUB	CALIBRATION	(144, 64, 37)	2004-03-25T06:32:33.435	2004-03-25T07:08:24.188
I1_00038847874.QUB	CALIBRATION	(432, 256, 35)	2004-03-25T15:04:48.668	2004-03-25T15:16:11.162
I1_00038853465.QUB	CALIBRATION	(432, 256, 35)	2004-03-25T16:37:58.998	2004-03-25T16:49:22.251
I1_00038880643.QUB	CALIBRATION	(432, 256, 35)	2004-03-26T00:10:56.906	2004-03-26T00:22:19.908
I1_00038882217.QUB	CALIBRATION	(432, 256, 107)	2004-03-26T00:37:11.419	2004-03-26T00:46:05.835
I1_00038882944.QUB	CALIBRATION	(432, 256, 222)	2004-03-26T00:49:17.911	2004-03-26T01:07:47.339
I1_00038884292.QUB	CALIBRATION	(144, 64, 120)	2004-03-26T01:11:46.457	2004-03-26T01:41:44.964
I1_00038886306.QUB	CALIBRATION	(144, 64, 29)	2004-03-26T01:45:20.680	2004-03-26T02:12:36.199
I1_00038890260.QUB	CALIBRATION	(432, 256, 35)	2004-03-26T02:51:14.773	2004-03-26T03:02:37.713
I1_00038894295.QUB	CALIBRATION	(432, 256, 35)	2004-03-26T03:58:28.901	2004-03-26T04:09:51.908
I1_00038901477.QUB	CALIBRATION	(144, 64, 42)	2004-03-26T05:58:10.943	2004-03-26T06:38:38.156
I1_00041434850.QUB	CALIBRATION	(432, 256, 35)	2004-04-24T13:41:04.741	2004-04-24T13:52:27.789
I1_00041436044.QUB	CALIBRATION	(144, 256, 276)	2004-04-24T14:00:58.696	2004-04-24T14:23:58.168
I1_00041437522.QUB	CALIBRATION	(432, 256, 134)	2004-04-24T14:25:37.206	2004-04-24T15:10:00.943
I1_00041942810.QUB	CALIBRATION	(432, 256, 35)	2004-04-30T10:47:04.958	2004-04-30T10:58:27.958
I1_00041945444.QUB	CALIBRATION	(432, 256, 58)	2004-04-30T11:30:59.579	2004-04-30T11:50:01.936
I1_00041946927.QUB	CALIBRATION	(432, 256, 58)	2004-04-30T11:55:42.328	2004-04-30T12:14:55.820
I1_00041948192.QUB	CALIBRATION	(432, 256, 55)	2004-04-30T12:16:47.313	2004-04-30T12:35:06.786
I1_00053414928.QUB	CALIBRATION	(432, 256, 35)	2004-09-10T05:29:05.584	2004-09-10T05:40:28.256
I1_00053416844.QUB	ALDEBARAN	(144, 256, 63)	2004-09-10T06:01:00.638	2004-09-10T06:21:54.126
I1_00053422765.QUB	ALDEBARAN	(144, 256, 64)	2004-09-10T07:39:42.386	2004-09-10T08:01:00.962
I1_00053498370.QUB	CALIBRATION	(432, 256, 35)	2004-09-11T04:39:47.219	2004-09-11T04:51:10.267
I1_00053499644.QUB	CALIBRATION	(144, 256, 288)	2004-09-11T05:01:01.280	2004-09-11T05:25:00.706
I1_00053501185.QUB	CALIBRATION	(144, 64, 70)	2004-09-11T05:26:42.418	2004-09-11T05:50:00.877
I1_00054632370.QUB	CALIBRATION	(432, 256, 35)	2004-09-24T07:39:46.992	2004-09-24T07:51:10.366
I1_00054633652.QUB	VENUS	(432, 256, 20)	2004-09-24T08:01:09.363	2004-09-24T08:21:02.468
I1_00054634943.QUB	VENUS	(432, 256, 22)	2004-09-24T08:22:40.714	2004-09-24T08:29:54.292
I1_00054635481.QUB	CALIBRATION	(432, 256, 8)	2004-09-24T08:31:38.508	2004-09-24T08:53:57.935



I1_00054653430.QUB	VEGA	(144, 256, 7)	2004-09-24T13:30:47.647	2004-09-24T13:37:06.113
I1_00054653920.QUB	VEGA	(144, 256, 6)	2004-09-24T13:38:57.694	2004-09-24T14:04:31.175
I1_00054655850.QUB	VEGA	(144, 256, 15)	2004-09-24T14:11:07.617	2004-09-24T14:26:01.109
I1_00054707970.QUB	CALIBRATION	(432, 256, 35)	2004-09-25T04:39:47.444	2004-09-25T04:51:10.485
I1_00054709252.QUB	EARTH	(432, 256, 25)	2004-09-25T05:01:08.972	2004-09-25T05:26:02.449
I1_00054710843.QUB	EARTH	(432, 256, 22)	2004-09-25T05:27:40.695	2004-09-25T05:34:54.261
I1_00054711381.QUB	CALIBRATION	(432, 256, 8)	2004-09-25T05:36:38.658	2004-09-25T05:58:57.232
I1_00054803369.QUB	CALIBRATION	(432, 256, 35)	2004-09-26T07:09:46.213	2004-09-26T07:21:09.236
I1_00054804672.QUB	ALFA GRUS	(144, 256, 59)	2004-09-26T07:31:29.339	2004-09-26T08:30:22.507
I1_00054982728.QUB	CALIBRATION	(432, 256, 35)	2004-09-28T08:59:05.353	2004-09-28T09:10:28.389
I1_00054984656.QUB	SATURN	(432, 256, 28)	2004-09-28T09:31:13.747	2004-09-28T09:58:46.552
I1_00054986450.QUB	SATURN	(432, 256, 28)	2004-09-28T10:01:07.679	2004-09-28T10:29:01.173
I1_00054991823.QUB	VENUS	(144, 256, 43)	2004-09-28T11:30:40.718	2004-09-28T11:44:54.318
I1_00054999270.QUB	CALIBRATION	(144, 256, 43)	2004-09-28T13:34:47.692	2004-09-28T13:49:06.279
I1_00055158828.QUB	CALIBRATION	(432, 256, 35)	2004-09-30T09:54:05.406	2004-09-30T10:05:28.377
I1_00055160752.QUB	CALIBRATION	(432, 256, 7)	2004-09-30T10:26:09.287	2004-09-30T10:32:11.348
I1_00055161220.QUB	CALIBRATION	(432, 256, 6)	2004-09-30T10:33:57.582	2004-09-30T10:39:51.335
I1_00055163130.QUB	CALIBRATION	(432, 256, 7)	2004-09-30T11:05:47.738	2004-09-30T11:12:11.382
I1_00055163620.QUB	CALIBRATION	(432, 256, 6)	2004-09-30T11:13:57.646	2004-09-30T11:19:51.117
I1_00055166730.QUB	CALIBRATION	(432, 256, 7)	2004-09-30T12:05:47.722	2004-09-30T12:12:11.413
I1_00055167220.QUB	CALIBRATION	(432, 256, 6)	2004-09-30T12:13:57.676	2004-09-30T12:19:51.145
V1_00038798805.QUB	CALIBRATION	(144, 64, 46)	2004-03-25T01:26:59.704	2004-03-25T01:30:49.120
V1_00038799188.QUB	CALIBRATION	(144, 64, 51)	2004-03-25T01:33:22.335	2004-03-25T01:37:36.798
V1_00038799584.QUB	CALIBRATION	(144, 64, 42)	2004-03-25T01:39:58.311	2004-03-25T01:43:27.711
V1_00038800106.QUB	CALIBRATION	(432, 256, 35)	2004-03-25T01:48:40.221	2004-03-25T01:59:54.182
V1_00038802315.QUB	CALIBRATION	(144, 64, 315)	2004-03-25T02:25:29.685	2004-03-25T02:51:44.110
V1_00038804091.QUB	CALIBRATION	(144, 64, 298)	2004-03-25T02:55:05.392	2004-03-25T03:19:54.834
V1_00038805789.QUB	CALIBRATION	(432, 256, 35)	2004-03-25T03:23:23.311	2004-03-25T03:34:37.168
V1_00038807497.QUB	CALIBRATION	(432, 256, 35)	2004-03-25T03:51:50.850	2004-03-25T04:03:04.673
V1_00038808922.QUB	CALIBRATION	(144, 64, 2)	2004-03-25T04:15:36.734	2004-03-25T04:15:45.110
V1_00038809023.QUB	CALIBRATION	(432, 64, 6)	2004-03-25T04:17:17.322	2004-03-25T04:17:46.130
V1_00038809145.QUB	CALIBRATION	(144, 256, 5)	2004-03-25T04:19:19.408	2004-03-25T04:19:43.819
V1_00038809390.QUB	CALIBRATION	(144, 64, 6)	2004-03-25T04:23:24.288	2004-03-25T04:23:53.711
V1_00038813701.QUB	CALIBRATION	(432, 256, 186)	2004-03-25T05:35:15.202	2004-03-25T05:50:54.932
V1_00038816621.QUB	CALIBRATION	(144, 64, 3)	2004-03-25T06:23:54.820	2004-03-25T06:27:00.909
V1_00038817139.QUB	CALIBRATION	(144, 64, 37)	2004-03-25T06:32:33.450	2004-03-25T07:08:24.202
V1_00038847874.QUB	CALIBRATION	(432, 256, 35)	2004-03-25T15:04:48.684	2004-03-25T15:16:01.971
V1_00038853465.QUB	CALIBRATION	(432, 256, 35)	2004-03-25T16:37:58.999	2004-03-25T16:49:12.834
V1_00038880643.QUB	CALIBRATION	(432, 256, 35)	2004-03-26T00:10:56.907	2004-03-26T00:22:10.717
V1_00038882217.QUB	CALIBRATION	(432, 256, 95)	2004-03-26T00:37:11.421	2004-03-26T00:46:05.850
V1_00038882944.QUB	CALIBRATION	(432, 256, 219)	2004-03-26T00:49:17.925	2004-03-26T01:07:47.353
V1_00038884475.QUB	CALIBRATION	(144, 64, 2)	2004-03-26T01:14:49.657	2004-03-26T01:17:13.546
V1_00038886306.QUB	CALIBRATION	(144, 64, 29)	2004-03-26T01:45:20.695	2004-03-26T02:12:36.214
V1_00038890260.QUB	CALIBRATION	(432, 256, 35)	2004-03-26T02:51:14.789	2004-03-26T03:02:27.880
V1_00038894295.QUB	CALIBRATION	(432, 256, 35)	2004-03-26T03:58:28.903	2004-03-26T04:09:42.717
V1_00038901477.QUB	CALIBRATION	(144, 64, 42)	2004-03-26T05:58:10.957	2004-03-26T06:38:38.170
V1_00041434850.QUB	CALIBRATION	(432, 256, 35)	2004-04-24T13:41:04.756	2004-04-24T13:52:18.598
V1_00041436045.QUB	CALIBRATION	(144, 256, 276)	2004-04-24T14:00:59.607	2004-04-24T14:23:59.790
V1_00041437525.QUB	CALIBRATION	(432, 256, 134)	2004-04-24T14:25:40.113	2004-04-24T15:10:03.850



V1_00041942810.QUB	CALIBRATION	(432, 256, 35)	2004-04-30T10:47:04.959	2004-04-30T10:58:18.767
V1_00041945445.QUB	CALIBRATION	(432, 256, 58)	2004-04-30T11:31:00.588	2004-04-30T11:50:02.945
V1_00041946932.QUB	CALIBRATION	(432, 256, 58)	2004-04-30T11:55:47.341	2004-04-30T12:15:00.833
V1_00041948198.QUB	CALIBRATION	(432, 256, 55)	2004-04-30T12:16:53.314	2004-04-30T12:35:12.787
V1_00053414928.QUB	CALIBRATION	(432, 256, 35)	2004-09-10T05:29:05.600	2004-09-10T05:40:18.834
V1_00053416852.QUB	ALDEBARAN	(144, 256, 63)	2004-09-10T06:01:08.654	2004-09-10T06:22:02.142
V1_00053422775.QUB	ALDEBARAN	(144, 256, 63)	2004-09-10T07:39:52.400	2004-09-10T08:00:50.864
V1_00053498370.QUB	CALIBRATION	(432, 256, 35)	2004-09-11T04:39:47.234	2004-09-11T04:51:01.761
V1_00053499643.QUB	CALIBRATION	(144, 256, 288)	2004-09-11T05:00:59.785	2004-09-11T05:24:59.211
V1_00053501195.QUB	CALIBRATION	(144, 64, 70)	2004-09-11T05:26:52.423	2004-09-11T05:50:10.882
V1_00054632370.QUB	CALIBRATION	(432, 256, 35)	2004-09-24T07:39:47.765	2004-09-24T07:51:00.845
V1_00054633692.QUB	VENUS	(432, 256, 20)	2004-09-24T08:01:49.127	2004-09-24T08:21:42.477
V1_00054634950.QUB	VENUS	(432, 256, 22)	2004-09-24T08:22:47.729	2004-09-24T08:30:01.307
V1_00054635485.QUB	CALIBRATION	(432, 256, 8)	2004-09-24T08:31:42.520	2004-09-24T08:54:01.105
V1_00054653435.QUB	VEGA	(144, 256, 7)	2004-09-24T13:30:52.647	2004-09-24T13:37:11.113
V1_00054653930.QUB	VEGA	(144, 256, 6)	2004-09-24T13:39:07.699	2004-09-24T14:04:41.180
V1_00054655870.QUB	VEGA	(144, 256, 15)	2004-09-24T14:11:27.632	2004-09-24T14:26:21.124
V1_00054707970.QUB	CALIBRATION	(432, 256, 35)	2004-09-25T04:39:47.458	2004-09-25T04:51:01.294
V1_00054709292.QUB	EARTH	(432, 256, 25)	2004-09-25T05:01:48.981	2004-09-25T05:26:42.458
V1_00054710850.QUB	EARTH	(432, 256, 22)	2004-09-25T05:27:47.710	2004-09-25T05:35:01.276
V1_00054711385.QUB	CALIBRATION	(432, 256, 8)	2004-09-25T05:36:42.670	2004-09-25T05:59:01.245
V1_00054803369.QUB	CALIBRATION	(432, 256, 35)	2004-09-26T07:09:46.228	2004-09-26T07:21:00.453
V1_00054804692.QUB	ALFA GRUS	(144, 256, 59)	2004-09-26T07:31:49.489	2004-09-26T08:30:42.522
V1_00054982728.QUB	CALIBRATION	(432, 256, 35)	2004-09-28T08:59:05.367	2004-09-28T09:10:19.198
V1_00054984671.QUB	SATURN	(432, 256, 28)	2004-09-28T09:31:28.850	2004-09-28T09:59:01.564
V1_00054986470.QUB	CALIBRATION	(432, 256, 28)	2004-09-28T10:01:27.689	2004-09-28T10:29:21.183
V1_00054991830.QUB	VENUS	(144, 256, 43)	2004-09-28T11:30:47.733	2004-09-28T11:45:01.333
V1_00054999275.QUB	VENUS	(144, 256, 43)	2004-09-28T13:34:52.692	2004-09-28T13:49:11.279
V1_00055158828.QUB	CALIBRATION	(432, 256, 35)	2004-09-30T09:54:05.408	2004-09-30T10:05:19.186
V1_00055160767.QUB	CALIBRATION	(432, 256, 7)	2004-09-30T10:26:24.388	2004-09-30T10:32:26.358
V1_00055161250.QUB	CALIBRATION	(432, 256, 6)	2004-09-30T10:34:27.595	2004-09-30T10:40:21.457
V1_00055163145.QUB	CALIBRATION	(432, 256, 7)	2004-09-30T11:06:02.748	2004-09-30T11:12:26.393
V1_00055163650.QUB	CALIBRATION	(432, 256, 6)	2004-09-30T11:14:27.658	2004-09-30T11:20:21.129
V1_00055166745.QUB	CALIBRATION	(432, 256, 7)	2004-09-30T12:06:02.733	2004-09-30T12:12:26.423
V1_00055167250.QUB	CALIBRATION	(432, 256, 6)	2004-09-30T12:14:27.682	2004-09-30T12:20:21.158