

# **ROSETTA MARS EXPRESS VENUS EXPRESS**

## **Radio Science Experiments RSI / MaRS / VeRa**

### **IFMS Doppler Processing and Calibration Software: Level 1a to Level 2 Software Design Specifications**

**Issue:** 5  
**Revision:** 1  
**Date:** 25.04.2016  
**Document:** **MEX-MRS-IGM-DS-3035**  
**ROS-RSI-IGM-DS-3118**  
**VEX-VRA-IGM-DS-3011**

Prepared by

---

Martin Pätzold

Approved by

---

Martin Pätzold (MaRS Principal Investigator)

**Rosetta Radio Science Investigations RSI**  
**Mars Express Orbiter Radio Science Experiment MaRS**  
**Venus Express Radio Science Experiment VeRa**  
**IFMS Doppler Processing Software : Level 1a to Level 2**

Document number

Issue: 5

Revision:

1

MEX-MRS-IGM-DS-3035

Date: 25.04.2016

Page

2 of 61

ROS-RSI-IGM-DS-3118

VEX-VRA-IGM-DS-3011

Page left free

## Document Change Record

Issue	Rev	Sec	Date	Changes	author
Draft	0	all	22.07.2003	first version	mpa
1	0	all	30.07.2003	first issue	mpa
1	1	2.4	14.08.2003	Section 2.4 deleted, part of new document MEX-MRS-IGM-DS-3036	mpa
1	2	2.1.4 2.3.6	25.08.2002	Update flow diagram Introducing two output files for X-band and S-band each.	mpa
2	0	all	16.09.2003	Complete revision	mpa
2	1	all	30.10.2003	update after discussion	mpa
2	2	all	14.01.2004	Complete revision	T.A.
2	3	2.1.3 2.5 2.8	12.02.2004	Introduction of IFMS-DEF-1025 Correction of IFMS-SPEC-2364 Correction of IFMS-SPEC-2365 Correcting column 8 in Tables 2.2 and 2.3	mpa
3	0	All	06.08.2004	Complete revision	mpa et al.
3	2	2.7 Appendix A	14.08.2004	Description of option file included Appendix included	T.A.
3	3	2.7	16.09.2004	Tables 2-2.2 and 2-2.3 extended	mpa
4	0	2.7 2.3 2.4 2.6	23.10.2004	Tables 2-2.2 and 2-2.3 updated Correction and introduction of IFMS-SPEC 2401 to 2404 Correction and introduction of IFMS-SPEC 2362 to 2368 Correction and introduction of IFMS-SPEC 2236 to 2251	mpa
4	1	2.7	01.12.2004	Tables 2.2 and 2.3 updated	mpa
4	2	Appendix 2.4	24.01.2005	Appendix B inserted IFMS-SPEC-2367 updated	T.A.
4	3	2.7	14.03.2005	File name corrected IFMS-SPEC-2956	mpa
5	0	All 2.3 2.4 2.5	26.07.2005	Complete revision Section 2.3 inserted Section 2.4 updated Section 2.5 erased and section 2.4.4 instead inserted	T.A.

**Rosetta Radio Science Investigations RSI**  
**Mars Express Orbiter Radio Science Experiment MaRS**  
**Venus Express Radio Science Experiment VeRa**  
**IFMS Doppler Processing Software : Level 1a to Level 2**

Document number  
MEX-MRS-IGM-DS-3035  
ROS-RSI-IGM-DS-3118  
VEX-VRA-IGM-DS-3011

Issue: 5  
Date: 25.04.2016

Revision: 1  
Page 4 of 61

		2.7		Section 2.7 renamed in section 3	
		3.1.3		Section 3.1.3.1 updated and section 3.1.3.2 inserted	
		4 Appendix C and D		Section 4 inserted Appendix C and D inserted	
5	1	Appendix C, D deleted	25.04.2016	Appendix C and D deleted	J.O.

**Rosetta Radio Science Investigations RSI**  
**Mars Express Orbiter Radio Science Experiment MaRS**  
**Venus Express Radio Science Experiment VeRa**  
**IFMS Doppler Processing Software : Level 1a to Level 2**

Document number

Issue: 5

Revision:

1

MEX-MRS-IGM-DS-3035

Date: 25.04.2016

Page

5 of 61

ROS-RSI-IGM-DS-3118

VEX-VRA-IGM-DS-3011

Page left free

## DISTRIBUTION LIST

Destination	Number of copies
Martin Pätzold	1
Silvia Tellmann	1
Christina Stanzel	1
Thomas Andert	1
Markus Fels	1
Alexander Gahr	1
Ralf Schaa	1
Ludmila Carone	1
Christina Walter	1
Anna Müller	1
Dusan Stupar	1
Len Tyler	1
Richard Simpson	1
Dave Hinson	1
Jörg Selle	1
Bernd Häusler	1
Véronique Dehant	1
Jean-Pierre Barriot	1

**Rosetta Radio Science Investigations RSI**  
**Mars Express Orbiter Radio Science Experiment MaRS**  
**Venus Express Radio Science Experiment VeRa**  
**IFMS Doppler Processing Software : Level 1a to Level 2**

Document number

Issue: 5

Revision:

1

MEX-MRS-IGM-DS-3035

Date: 25.04.2016

Page

7 of 61

ROS-RSI-IGM-DS-3118

VEX-VRA-IGM-DS-3011

Page left free

## ACRONYMS

A/D	Analog/Digital
AGC	Automatic Gain Control
AGVTP	Archive Generation, Validation and Transfer Plan
AOL	Amplitude Open Loop
ATDF	Archival Tracking Data Format
CD-ROM	Compact Disk - Read Only Memory
CL	Closed-Loop
DDS	Data Delivery System
DSN	Deep Space Network
DVD	Digital Versatile Disk
ESA	European Space Agency
ESOC	European Space Operation Center
ESTEC	European Space Technology Center
FOL	Frequency Open Loop
G/S	Ground Station
HGA	High Gain Antenna
IFMS	Intermediate Frequency Modulation System
JPL	Jet Propulsion Laboratory
LCP	Left Circular Polarization
LGA	Low Gain Antenna
LOS	Line Of Sight
MaRS	Mars Express Radio Science Experiment
MGA	Medium Gain Antenna
MGS	Mars Global Surveyor
NASA	National Aeronautics and Space Administration
ODR	Original Data Record
OL	Open-Loop
ONED	one-way dual-frequency mode
ONES	One-way single-frequency mode
PDS	Planetary Data System
POL	Polarization Open Loop
RCP	Right Circular Polarization
RSR	Radio Science Receiver
RX	Receiver
S/C	Spacecraft
SIS	Software Interface Specification



**Rosetta Radio Science Investigations RSI**  
**Mars Express Orbiter Radio Science Experiment MaRS**  
**Venus Express Radio Science Experiment VeRa**  
**IFMS Doppler Processing Software : Level 1a to Level 2**

Document number

Issue: 5

Revision:

1

MEX-MRS-IGM-DS-3035

Date: 25.04.2016

Page

9 of 61

ROS-RSI-IGM-DS-3118

VEX-VRA-IGM-DS-3011

S-TX	S-Band Transmitter
SPICE	Space Planet Instrument C-Matrix Events
TBC	To Be Confirmed
TBD	To Be Determined
TWOD	Two-way dual-frequency mode
TWOS	Two-way single-frequency mode
USO	Ultra Stable Oszillator
X-TX	X-band Transmitter

## Contents

<b>1</b>	<b>INTRODUCTION .....</b>	<b>13</b>
1.1	Scope .....	13
1.2	Referenced Documents .....	13
1.3	Document Overview .....	13
<b>2</b>	<b>SOFTWARE DESIGN SPECIFICATIONS .....</b>	<b>15</b>
2.1	Main program specifications .....	15
2.1.1	Modules .....	15
2.1.2	Input files .....	16
2.1.2.1	Data file types .....	16
2.1.2.2	File names .....	16
2.1.2.3	File formats .....	16
2.1.3	Definition of constants .....	17
2.1.4	Flow Diagram .....	19
2.2	MODULE M_READ_INPUT_DATA AND M_READ_HEADER .....	20
2.2.1	Computation of the observed antenna frequency .....	21
2.3	Module M_SPICE .....	24
2.4	MODULES M_CALIBRATION AND M_IONO_CALIB .....	25
2.4.1	Tropospheric calibration .....	25
2.4.2	Differential Doppler .....	27
2.4.3	Plasma calibration using the differential doppler .....	27
2.4.4	Plasma calibration using the Klobuchar model .....	28
2.4.4.1	The Klobuchar model .....	28
2.4.4.2	Plasma calibration of the antenna frequency .....	32
2.5	MODULE M_PREDICT .....	33
<b>3</b>	<b>OUTPUT FILES .....</b>	<b>36</b>
3.1	MODULE M_OUTPUT .....	36
3.1.1	Data files .....	36
3.1.2	Label files .....	44
	See [1] for more information .....	44
3.1.3	Additional Output Files .....	44
3.1.3.1	Log file .....	44

3.1.3.2	Frequency correction files .....	47
<b>4</b>	<b>USAGE OF THE SOFTWARE .....</b>	<b>48</b>
<b>4.1</b>	<b>Graphical Interface .....</b>	<b>49</b>
<b>4.2</b>	<b>Additional output files .....</b>	<b>53</b>
4.2.1	Data validation Excel sheet .....	53
4.2.2	Data illustration .....	53
<b>4.3</b>	<b>Errors .....</b>	<b>54</b>
<b>APPENDIX A</b>	<b>.....</b>	<b>57</b>
<b>APPENDIX B</b>	<b>.....</b>	<b>60</b>

**Rosetta Radio Science Investigations RSI**  
**Mars Express Orbiter Radio Science Experiment MaRS**  
**Venus Express Radio Science Experiment VeRa**  
**IFMS Doppler Processing Software : Level 1a to Level 2**

Document number

Issue: 5

Revision:

1

MEX-MRS-IGM-DS-3035

Date: 25.04.2016

Page

12 of 61

ROS-RSI-IGM-DS-3118

VEX-VRA-IGM-DS-3011

Page left free

## 1 INTRODUCTION

### 1.1 SCOPE

This document specifies the requirements for the development of the IFMS processing software, transferring Level 1a IFMS data towards Level 2. The software shall analyze radio Doppler tracking data recorded at the IFMS receiving systems of the ground stations New Norcia (NNO). AGC and meteo data are handled via the IFMS (tbd) software.

### 1.2 REFERENCED DOCUMENTS

	<b>Reference Number</b>	<b>Title</b>
[1]	MEX-MRS-IGM-IS-3016 ROS-RSI-IGM-IS-3087 VEX-VRA-IGM-IS-3009	Radio Science File naming Convention
[2]	IFMS_OCCFTP_10.5.0	IFMS-to-OCC
[3]	MEX-MRS-IGM-DS-3039 ROS-RSI-IGM-DS-3121 VEX-VRA-IGM-DS-30??	Radio Science Predicted and Reconstructed Orbit Data: Specifications
[4]	IFMS_SUM_10.3.1	Software User Manual

### 1.3 DOCUMENT OVERVIEW

Section 2 defines the design specifications:

2.1 the input file names and used constants

2.2 defines MODULE PREDICT

2.3 defines MODULE DOPPLER

Section 3 gives an overview of the output file name definitions.

Section 4 describes the usage of the software and additional output files produced by means of a PERL script

**Rosetta Radio Science Investigations RSI**  
**Mars Express Orbiter Radio Science Experiment MaRS**  
**Venus Express Radio Science Experiment VeRa**  
**IFMS Doppler Processing Software : Level 1a to Level 2**

Document number

Issue: 5

Revision:

1

MEX-MRS-IGM-DS-3035

Date: 25.04.2016

Page

14 of 61

ROS-RSI-IGM-DS-3118

VEX-VRA-IGM-DS-3011

Page left free

## 2 SOFTWARE DESIGN SPECIFICATIONS

### 2.1 MAIN PROGRAM SPECIFICATIONS

The MAIN program shall read the IFMS level 1a Doppler data both at S-band and X-band compute from the data contained therein the observed frequency received at groundstation. A detailed explanation of the computation is given in section 2.2. After reading the data the MAIN program shall correct the Doppler data for the contribution by the propagation through the plasma and the Earth troposphere. That step will be done via Module M\_CALIBRATION. Doppler residuals will be computed from the predicted or reconstructed Doppler provided by M\_PREDICT. The output data files and an log file containing processing information shall be produced via M\_OUTPUT. The according label files shall be generated via M\_LABEL.

#### 2.1.1 Modules

The MAIN program uses a number of modules:

1. M\_READ\_INPUT\_DATA
2. M\_READ\_HEADER
3. M\_PREDICT
4. M\_DOPPLER\_SHIFT
5. M\_CALIBRATION
6. M\_IONO\_CALIB
7. M\_OUTPUT
8. M\_DIFFERENTIAL DOPPLER
9. M\_GLOBAL\_VAR

and some general modules, wherein shared subroutines and functions are provided

10. M\_FILE\_UTILITIES
11. M\_SPICE
12. M\_ERROR
13. M\_UTILITIES
14. M\_FILE\_NAMING\_CONVENTION
15. M\_LABELNAMEIFMS
16. M\_LABEL
17. M\_INTERPOL
18. M\_SEARCH

The flow diagram is shown in section 2.1.4

## 2.1.2 Input files

### 2.1.2.1 *Data file types*

**IFMS-SPEC-1210:** the following table defines the input file types and the logical file names used in this specification and within the program.

Klobuchar coefficients are only needed if X-band and S-band Doppler files have no overlapping timestamp or the kind of data processing is occultation:

File type	Logical name within program
IFMS level 1a Doppler X-band S-band	IFMS_DOPPLER_X IFMS_DOPPLER_S
predicted Doppler file	PREDICT_FILE
IFMS_Meteo file level 1a	IFMS_METEO
IFMS AGC file level 1a X-band S-band	IFMS_AGC_X IFMS_AGC_S
Klobuchar coefficients for Earth ionosphere calibration	ION_COEFF
Orbit SPICE Kernels	N/A

### 2.1.2.2 *File names*

**IFMS-SPEC-1220:** File names are defined in [1] section 4.1

### 2.1.2.3 *File formats*

**IFMS-SPEC-1230:** File formats are defined in [1] in section 5.2, section 8 and section 9



### 2.1.3 Definition of constants

All spacecraft constants are similar for Mars Express, Venus Express and Rosetta.

#### **IFMS-DEF-1010: ASTRONOMICAL UNIT (AU)**

$$1 \text{ AU} = 149,597,870 \text{ kilometers}$$

#### **IFMS-DEF-1020: SPEED OF LIGHT**

$$c = 299,792,458 \text{ m/s}$$

#### **IFMS-DEF-1025: PHYSICAL CONSTANTS**

Constant		Value	SI units
Electron charge	e	$1.6022 \cdot 10^{-19}$	A s
Electron mass	$m_e$	$9.1094 \cdot 10^{-31}$	kg
Electric field constant	$\epsilon_0$	$8.8542 \cdot 10^{-12}$	$\text{s}^4 \text{A}^2 \text{m}^{-3} \text{kg}^{-1}$
Plasma constant	$\frac{1}{2} \frac{1}{4\pi^2} \frac{e^2}{m_e \epsilon_0}$	40.30924	$\text{m}^3 \text{s}^{-2}$

#### **IFMS-DEF-1030: CARRIER FREQUENCIES**

frequency band	uplink	downlink
S-band	2114.676 MHz	2296.482 MHz
X-band	7116.936 MHz	8420.432 MHz

Actual transmitted frequencies (up and downlink) may vary according to expected Doppler shift (approx. 10 – 100 kHz).

#### **IFMS-DEF-1031: Transponder constants and ratios**

frequency band uplink	transponder ratios downlink/uplink	
	S-band	X-band
S-band	240/221	880/221
X-band	240/749	880/749

**Rosetta Radio Science Investigations RSI**  
**Mars Express Orbiter Radio Science Experiment MaRS**  
**Venus Express Radio Science Experiment VeRa**  
**IFMS Doppler Processing Software : Level 1a to Level 2**

Document number

Issue: 5

Revision:

1

MEX-MRS-IGM-DS-3035

Date: 25.04.2016

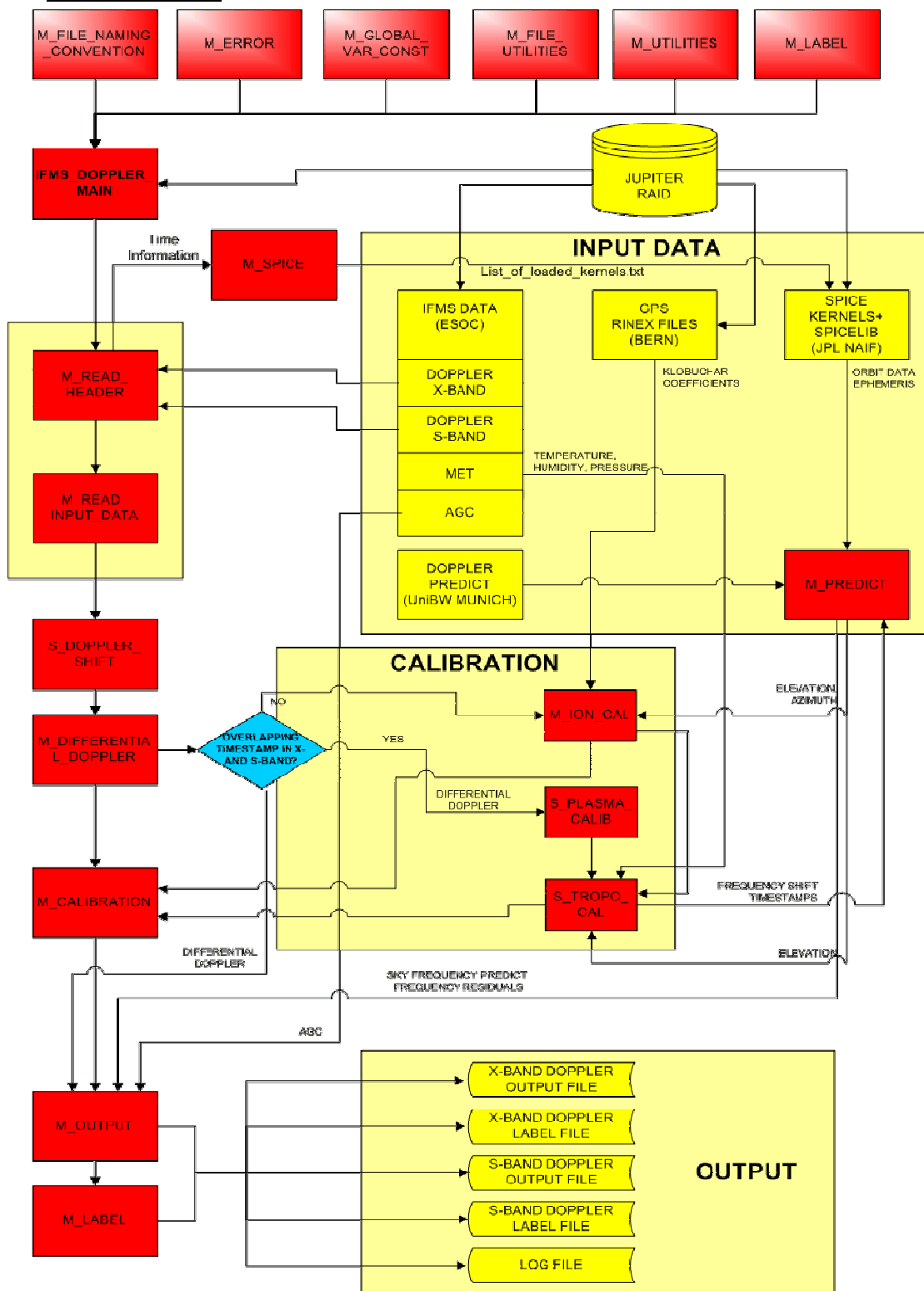
Page

18 of 61

ROS-RSI-IGM-DS-3118

VEX-VRA-IGM-DS-3011

### 2.1.4 Flow Diagram



Figur 1: Flowchart for evaluation software for the IFMS Doppler data

## 2.2 MODULE M\_READ\_INPUT\_DATA AND M\_READ\_HEADER

Module M\_READ\_HEADER contains subroutines in order to read the header and the active table from IFMS\_DOPPLER\_X, IFMS\_DOPPLER\_S, IFMS\_METEO, IFMS\_AGC\_X and IFMS\_AGC\_S.

Module M\_READ\_INPUT\_DATA contains subroutines in order to read IFMS level 1a Doppler data at X-band and S-band, the meteorological data, the AGC data at X-band and S-band, respectively from IFMS\_DOPPLER\_X, IFMS\_DOPPLER\_S, IFMS\_METEO, IFMS\_AGC\_X and IFMS\_AGC\_S and to reconstruct the observed antenna frequency using therein contained data.

The main program is able to read more than one IFMS level 1a Doppler data at X-band and S-band, the meteorological data, the AGC data at X-band and S-band, respectively from IFMS\_DOPPLER\_X, IFMS\_DOPPLER\_S, IFMS\_METEO, IFMS\_AGC\_X and IFMS\_AGC\_S.

**IFMS-SPEC-2305:** M\_READ\_HEADER accepts the information contained in the header and active table of IFMS\_DOPPLER\_X, IFMS\_DOPPLER\_S, IFMS\_METEO, IFMS\_AGC\_X and IFMS\_AGC\_S.

**IFMS-SPEC-2310:** M\_READ\_INPUT\_DATA accepts Doppler data from IFMS\_DOPPLER\_X, IFMS\_DOPPLER\_S, IFMS\_METEO, IFMS\_AGC\_X and IFMS\_AGC\_S.

**IFMS-SPEC-2311:** M\_READ\_INPUT\_DATA merges Doppler data from IFMS\_DOPPLER\_X, IFMS\_DOPPLER\_S, IFMS\_METEO, IFMS\_AGC\_X and IFMS\_AGC\_S, if more than one respective IFMS level 1a file is available.

**IFMS-SPEC-2315:** The file name formats are defined according to [1] section 5.2.

**IFMS-SPEC-2316:** The file formats are defined according to [2] and [1] section 5.2.

**IFMS-SPEC-2320:** IFMS\_DOPPLER\_X, IFMS\_DOPPLER\_S, IFMS\_METEO, IFMS\_AGC\_X and IFMS\_AGC\_S file names will be accepted via a Windows interface described in detail in section 4.1.

**IFMS-SPEC-2321:** The kind of data processing for (a) occultation entry, (b) occultation exit, (c) gravity, and (d) solar corona is selected via a graphical interface.

## 2.2.1 Computation of the observed antenna frequency

Subroutine S\_READ\_INPUT\_DATA reads IFMS level 1a Doppler data at X-band and S-band and reconstructs the observed antenna frequency as followed using therein contained data. The required information contained in reads IFMS level 1a Doppler data at X-band and S-band for this computation are listed in detail in the above IFMS-DEF-2402. It is important to know that the timestamp in the original IFMS level 1a Doppler data is not the same as for the observed antenna frequency (see IFMS-SPEC-2401).

**IFMS-SPEC-2400:** antenna frequency  $f_{\text{antenna}}$

$$\begin{aligned}\Delta\text{count}(t_i) &= \text{count}(t_i) - \text{count}(t_{i-1}) \\ \Delta\text{time} &= \frac{\Delta\text{count}}{17.5 \times 10^6} \\ \Delta\text{phase}(t_i) &= \text{phase}(t_i) - \text{phase}(t_{i-1}) \\ f_{\text{offset,down}} &= k \cdot f_{\text{offset,up}} \\ \Delta\text{phase}_{\text{Dop}=0} &= \Delta\text{time} \cdot f_{\text{offset,down}} \\ \Delta\text{phase}_{\text{Dop}}(t_i) &= \Delta\text{phase}(t_i) - \Delta\text{phase}_{\text{Dop}=0} \\ f_{\text{up}} &= f_{\text{offset,up}} + f_{\text{inter}} + f_{\text{LO}} \\ f_{\text{antenna}}(t_i) &= k \cdot f_{\text{up}} + \frac{\Delta\text{phase}_{\text{Dop}}(t_i)}{\Delta\text{time}(t_i)}\end{aligned}$$

For detailed information see in [2] section 6.3.

**IFMS-SPEC-2401:** The antenna frequency is computed between two time stamps  $t_i$  and  $t_{i+1}$  of the original IFMS level 1a Doppler data. Therefore the timestamp  $t_{\text{antenna}}$  of the antenna frequency  $f_{\text{antenna}}$  is computed via:

$$t_{\text{antenna}} = \frac{t_i + t_{i+1}}{2}$$

**IFMS-DEF-2402: Definitions:**

Acronyms as specified in [2]	Symbol	Explanation	SI units
Count	count( $t_i$ )	count at a given timestamp $t_i$	
DeltaCount	$\Delta$ count( $t_i$ )	Variation of the counts of a numerical clock between two timestamps $t_i$ and $t_{i-1}$ , i.e nodes of the 17.5 MHz signal	
DeltaTime	$\Delta$ time	Time interval between two timestamps $t_i$ and $t_{i-1}$	sec
Phase	phase( $t_i$ )	measured phase in cycles	cycles
DeltaPhase	$\Delta$ phase	Variation in phase between two timestamps $t_i$ and $t_{i-1}$ ,	cycles
ActualCarrierFreqOffset	$f_{\text{offset,up}}$	Expected uplink Doppler shift <b>Contained in ActiveTable</b>	Hz
InputCarrierFreqOffset	$f_{\text{offset,down}}$	expected uplink Doppler shift multiplied by the transponder ratio factor $k$ defined in IFMS-DEF-1031; subtracted from expected nominal uplink frequency received at spacecraft	Hz
ZeroDopplerDeltaPhase	$\Delta$ phase <sub>Dop=0</sub>	Phase change in $\Delta$ time assuming that Doppler shift is zero	cycles
DeltaPhaseDoppler	$\Delta$ phase <sub>Dop</sub>	Phase change in $\Delta$ time for the true Doppler shift	cycles
UlmCarFrSel	$f_{\text{inter}}$	Intermediate frequency after downconversion Ca. 70 MHz or 230 MHz <b>Contained in ActiveTable</b>	Hz
XxxUplkConv	$f_{\text{LO}}$	Ground station local oscillator frequency in order to generate true uplink frequency Ca. 7100 MHz or 2100 MHz <b>Contained in ActiveTable</b>	Hz
UplinkCarrierFreq	$f_{\text{up}}$	transmitted uplink carrier frequency	Hz

**Rosetta Radio Science Investigations RSI**  
**Mars Express Orbiter Radio Science Experiment MaRS**  
**Venus Express Radio Science Experiment VeRa**  
**IFMS Doppler Processing Software : Level 1a to Level 2**

Document number

Issue: 5

Revision:

1

MEX-MRS-IGM-DS-3035

Date: 25.04.2016

Page

23 of 61

ROS-RSI-IGM-DS-3118

VEX-VRA-IGM-DS-3011

**IFMS-SPEC-2403:** The uplink frequency  $f_{up}$  (result from IFMS-SPEC-2401) is transferred to M\_OUTPUT and stored in column 7.

**IFMS-SPEC-2404:** Column 8 in M\_OUTPUT (uplink frequency ramp rate) is set to zero.

**IFMS-SPEC-2405:** The antenna frequency  $f_{antenna}$  (result from IFMS-SPEC-2401) is transferred to M\_OUTPUT and stored in column 9.

## 2.3 MODULE M\_SPICE

The IFMS Doppler Processing Software uses the program package SPICE built by the Navigation and Ancillary Information Facility (NAIF) at the Jet Propulsion Laboratory. The SPICE system includes a large suite of software, mostly in the form of subroutines to compute derived observation geometry and to perform other useful computations. The SPICE system needs so called kernels containing information for example about Spacecraft ephemeris as a function of time. For more information about SPICE see

<http://naif.jpl.nasa.gov/naif/>.

Module M\_SPICE provides a subroutine S\_WRITE\_LOLK in order to generate a file which comprises a list of kernels to load for the SPICE system. The name of the generated file is "list\_of\_loaded\_kernels.txt" and contains all files required to perform the processing step. The selection of the kernels depends on mission, time of the operation and receiving groundstation. An example of such a file is given in Figure 2-1.

The file containing the required kernels is automatically generated in the subdirectory \kernels of the directory where the IFMS Doppler Processing Software is located. The required kernels have to be located also in the subdirectory \kernels.

**Figure 2-1:** Example of file „list\_of\_loaded\_kernels.txt”

```
\begindata
KERNELS_TO_LOAD = (
'Z:\ddswork\process_data\Soft_Doppler_L2\Kernels\PCK00008.TPC',
'Z:\ddswork\process_data\Soft_Doppler_L2\Kernels\EARTH_000101_050131_04110
9.BPC',
'Z:\ddswork\process_data\Soft_Doppler_L2\Kernels\earthfixedITRF93.frm',
'Z:\ddswork\process_data\Soft_Doppler_L2\Kernels\earthfixedIAU.frm',
'Z:\ddswork\process_data\Soft_Doppler_L2\Kernels\new_norcia.txt',
'Z:\ddswork\process_data\Soft_Doppler_L2\Kernels\new_norcia.bsp',
'Z:\ddswork\process_data\Soft_Doppler_L2\Kernels\new_norcia_topo.frm',
'Z:\ddswork\process_data\Soft_Doppler_L2\Kernels\mars_iau2000_v0.tpc',
'Z:\ddswork\process_data\Soft_Doppler_L2\Kernels\MEX_040930_STEP.TSC',
'Z:\ddswork\process_data\Soft_Doppler_L2\Kernels\ORMM_041001000000_00096.
BSP',
'Z:\ddswork\process_data\Soft_Doppler_L2\Kernels\de405s.bsp'
)
```



## 2.4 MODULES M\_CALIBRATION AND M\_IONO\_CALIB

Module M\_CALIBRATION provides several subroutines in order to correct for the contribution by the propagation through the plasma and the neutral Earth troposphere.

Module M\_IONO\_CALIB provides several subroutines to compute the correction for the Earth ionosphere, i.e. the ionospheric delay in nanoseconds, using the so called Klobuchar model for the Earth ionosphere.

Plasma media correction can only be performed if two downlink frequencies have been recorded and is done only for gravity observations. If only one frequency is available or for occultation observations, the Earth ionosphere is corrected via the Klobuchar model.

### 2.4.1 Tropospheric calibration

Subroutine S\_TROP\_CALIB uses the meteo data observed at the respective ground station to compute the path delay (unit is meter) of the dry and wet component of the Earth troposphere and calculate from the path delay the total correction for the Earth troposphere in Hz.

#### IFMS-SPEC-2460: Tropospheric calibration

The path delay (unit is meter) of the dry and wet component of the Earth troposphere is (Hofmann-Wellenhoff et al., Global Positioning System, 4<sup>th</sup> Ed.):

$$\Delta_{dry}(E) = \frac{10^{-6}}{5} \frac{77.64 \frac{p}{T}}{\sin(\sqrt{E^2 + 6.25})} [40136 + 148.72(T - 273.16)] \quad (1.1)$$

$$\Delta_{wet}(E) = \frac{10^{-6}}{5} \frac{-12.96T + 3.718 \cdot 10^5}{\sin(\sqrt{E^2 + 2.25})} \frac{e}{T^2} 11000$$

where  $p$ ,  $T$  and  $e$  are the atmospheric pressure, Temperature and partial water vapour pressure, respectively, as observed at the ground station site.

These values are given in the IFMS\_METEO file. The elevation angle  $E$  (unit in degrees) is provided by M\_PREDICT.

The following transformations have to be applied:

	equation (20)	IFMS_METEO	M_PREDICT
<b>pressure <math>p</math></b>	mbar	hPascal	-
<b>Temperature <math>T</math></b>	Kelvin	°Celsius	-
<b>Water vapour partial pressure <math>e</math></b>	hPascal	-	-
<b>humidity <math>h</math></b>	-	% humidity	-
<b>elevation <math>E</math></b>	degrees	-	radian

The relation between the water vapour partial pressure and the humidity given in IFMS\_METEO is:

$$e = 6.108 \cdot 10^{-2} \cdot \text{humidity} [\%] \cdot \exp \left\{ \frac{17.393(T - 272.15)}{T - 33.95} \right\} \quad (1.2)$$

The total tropospheric calibration expressed as delay time in seconds is:

$$\tau_{tropo} = \frac{2}{c} \{ \Delta_{dry}(E) + \Delta_{wet}(E) \} \quad (1.3)$$

for the two-way radio link where  $c$  is the speed of light with definition given in IFMS-DEF-1020 and

$$\tau_{tropo} = \frac{1}{c} \{ \Delta_{dry}(E) + \Delta_{wet}(E) \}$$

for the one-way radio link.

**IFMS-SPEC-2461:** The correction for the Earth troposphere is then for one-way radio link:

$$m_{ONE} = \tau_{tropo} \cdot f_{down} \quad (1.4)$$

and for the two-way radio link:

$$m_{TWO} = \tau_{tropo} \cdot (f_{down} + f_{up}) \quad (1.5)$$

where  $m$  is the cycle advance and the shift in frequency is:

$$\Delta f_{ONE,tropo} = \frac{dm_{ONE}}{dt} \quad (1.6)$$

and for the two-way radio link:

$$\Delta f_{TWO,tropo} = \frac{dm_{TWO}}{dt} \quad (1.7)$$

This is done for each frequency band.

**IFMS-SPEC-2462:** The result from IFMS-SPEC-2461 is transferred to M\_OUTPUT, added to the respective plasma correction described below and the sum is stored in column 11.

**IFMS-SPEC-2463:** The result from IFMS-SPEC-2461 is transferred to M\_PREDICT and added to the predicted Doppler data (see section 2.5)

## 2.4.2 Differential Doppler

Subroutine S\_DIFF\_DOP finds out whether IFMS level 1a Doppler data at X-band and S-band are overlapping in time. If this is the case and the IFMS level 1a Doppler data at X-band and S-band having the same sample interval the differential Doppler is computed.

### **IFMS-SPEC-2465: Differential Doppler**

The result from IFMS-SPEC-2363 is taken to compute the differential Doppler

$$\delta f = f_{S,antenna} - \frac{3}{11} f_{X,antenna} \quad (1.8)$$

**IFMS-SPEC-2466:** The result from IFMS-SPEC-2465 is transferred to M\_OUTPUT and stored in column 14.

## 2.4.3 Plasma calibration using the differential doppler

Subroutine S\_PLASMA\_CALIB calculates the temporal change in electron content from the differential Doppler and the according frequency-shift in antenna frequency at X-band and S-band

### **IFMS-SPEC-2470: Plasma calibration**

Derive the temporal change in electron content from the differential Doppler and computes the dispersive frequency shift for each frequency band.  $f_s$  and  $f_x$  are downlink carrier frequencies and  $c$  is the speed of light, all defined in section 1.

$$\delta f = -\frac{1}{2c} \frac{1}{4\pi^2} \frac{e^2}{m_e \epsilon_0} \left\{ \frac{1}{f_s^2} - \frac{1}{f_x^2} \right\} f_s \frac{dl}{dt} \quad (1.9)$$

$$\Rightarrow \frac{dl}{dt} = -\left\{ \frac{1}{2c} \frac{1}{4\pi^2} \frac{e^2}{m_e \epsilon_0} \right\}^{-1} \frac{\delta f}{f_s} \left\{ \frac{1}{f_s^2} - \frac{1}{f_x^2} \right\}^{-1}$$

### **IFMS-SPEC-2471: plasma correction**

The temporal change in electron content will be used to correct for the downlink plasma propagation for gravity observations only:

$$\Delta f_{S,plasma,cal} = \frac{40.31}{c} \frac{1}{f_s} \frac{dl}{dt} \quad (1.10)$$

$$\Delta f_{X,plasma,cal} = \frac{40.31}{c} \frac{1}{f_x} \frac{dl}{dt}$$

If equation (1.9) is applied to equation (1.10), the plasma correction is than

$$\Delta f_{S,plasma,cal} = \delta f \frac{121}{112} \quad (1.11)$$

$$\Delta f_{X,plasma,cal} = \delta f \frac{33}{112}$$

For further details see APPENDIX B

**IFMS-SPEC-2472:** The result from IFMS-SPEC-2471 is transferred to M\_OUTPUT added to the tropospheric correction described above and the sum is stored in column 11

**IFMS-SPEC-2473:** The result from IFMS-SPEC-2471 is transferred to M\_PREDICT and added to the predicted Doppler data (see section 2.5)

#### **2.4.4 Plasma calibration using the Klobuchar model**

If only one frequency is available or the kind of data processing is Occultation, the Earth ionosphere plasma has to be modeled. Module M\_IONO\_CAL contains subroutines in order to provide a model of the electron content of the Earth ionosphere and will be described below in detail.

##### *2.4.4.1 The Klobuchar model*

Module M\_IONO\_CALIB contains several subroutines to provide a model of the electron content of the Earth ionosphere at any local time and pointing direction of the ground station antenna and determines the path delay. This is done using the Klobuchar model introducing the Klobuchar coefficients from GPS measurements of the International GPS Service (IGS). The IGS is based on about 200 globally distributed permanent GPS tracking sites. The coefficients used by module M\_IONO\_CALIB come from one of the seven IGS Analysis Center: the Center for Orbit Determination in Europe (CODE) of the Astronomical Institute of the University of Berne (AIUB), Switzerland.

CODE generates Global ionosphere maps (GIM) on a daily basis using data from about 200 GPS/GLONASS sites of the IGS and other institutions. The vertical total electron content (VTEC) is modelled in a solar-geomagnetic reference frame using a spherical harmonics expansion up to degree and order 15. Piece-wise linear functions are used for representation in the time domain. The time spacing of their vertices is 2 hours, conforming with the epochs of the VTEC maps. Instrumental biases, so-called differential P1-P2 code biases (DCB), for all GPS satellites and ground stations are estimated as constant values for each day, simultaneously with the 13 times 256, or 3328 parameters used to represent the global VTEC distribution. The DCB datum is defined by a zero-mean condition imposed on the satellite bias estimates. P1-C1 bias corrections are taken into account if needed. To convert line-of-sight TEC into vertical TEC, a modified single-layer model mapping (MSLM) mapping function approximating the JPL extended slab model mapping function is adopted. The global coverage of the GPS tracking ground stations considered at CODE is shown figure 3.5.1 including abbreviations for station identification.

GPS Tracking Ground Stations Considered at CODE

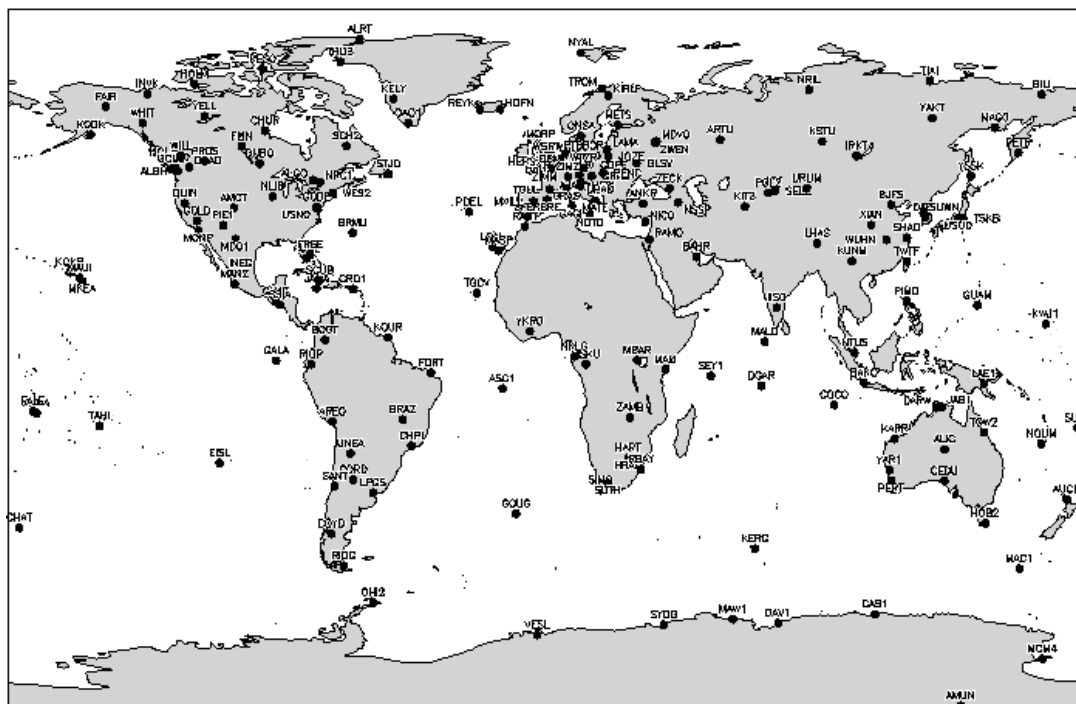


Figure 2-2: GPS Tracking Ground Stations

CODE computes Klobuchar-style ionospheric coefficients (alphas and betas) best fitting the IONosphere map EXchange data (IONEX) on a regular basis. The data files containing the Klobuchar coefficients are named CGIMddd0.yyN, where ddd and yy substitute doy and 2-digit year. Those coefficients derived from a final IONEX product are stored under <ftp://ftp.unibe.ch/aiub/CODE/> in yyyy-specific

subdirectories as of [1995](#). For the few days where the final product is not yet available, rapid as well as predicted coefficients serving real-time applications may be found generally at <ftp://ftp.unibe.ch/aiub/CODE/>. [CGIM2410.04N\\_R](#) contains the latest set of rapid coefficients; [CGIM2420.04N\\_P](#) and [CGIM2430.04N\\_P2](#) contain the current 1-day and 2-day predicted coefficients, respectively.

Unlike the original Klobuchar ionosphere model which is based on a total of 370 possible sets of base coefficients and which is therefore of discrete nature, the model derived by CODE is not subject to a similar restriction. All the night-time TEC level of this type of ionosphere model is hard-wired to 5 nanoseconds of ionospheric delay on the first GPS frequency (corresponding to approximately 9 TECU). Because the Klobuchar-style TEC parameterization may be unpleasant at the polar caps and especially at the poles, CODE displays a corresponding warning in the RINEX navigation data files in case the TEC above a latitude of 75 degrees reaches day-time level.

The module is currently only valid for the NNO ground station.

**IFMS-SPEC-2480:** Module M\_IONO\_CALIB accepts the actual needed Klobuchar coefficients (described above) from input file ION\_COEFF. The input file can be downloaded from

[ftp.unibe.ch/aiub/CODE/](ftp://ftp.unibe.ch/aiub/CODE/)

M\_IONO\_CALIB needs several input parameters, which are listed in the table below.

Parameter	Description	Unit
Phi	Geodetic latitude of receiver	Degree
Lambda	Geodetic longitude of receiver	Degree
TOW	Time of Week	Degree
Beta	The coefficients of a cubic equation representing the amplitude of the vertical delay	
Alpha	The coefficients of a cubic equation representing the period of the model	

**Table 2-1:** Input parameter of M\_IONO\_CALIB

**IFMS-SPEC-2481:** The output of Module M\_IONO\_CALIB is the ionospheric slant range correction  $\tau_{iono}$ . The unit of  $\tau_{iono}$  is seconds. The calculation of  $\tau_{iono}$  is described in IFMS-SPEC-2482.

**IFMS-SPEC-2482:** The computation of the ionospheric slant range correction  $\tau_{iono}$  depends on the local time at the ground station side. For the calculation of  $\tau_{iono}$  the following parameters are used:

1. **Local Time t:**

$$t = 4.32 \cdot \text{long}_i + \text{TOW}$$

2. **Azimuth a (in radian):**

$$a = \text{azimuth} \cdot \pi / 180$$

3. **Elevation angle e (in semicircles):**

$$e = \text{elev} \cdot 1. / 180$$

4. **Earth Centered angle psi:**

$$\text{psi} = 0.0137 / (e + 0.11) - 0.022$$

5. **Subionospheric longitude long<sub>i</sub> :**

$$\text{long}_i = \text{lambda} \cdot 1. / 180. + (\text{psi} \cdot \text{DSIN}(a) / \text{DCOS}(\text{lat}_i \cdot \pi))$$

6. **Subionospheric latitude lat<sub>i</sub> :**

$$\text{lat}_i = \text{phi} \cdot 1. / 180 + \text{psi} \cdot \text{DCOS}(a)$$

7. **Time of the Week TOW (output of the subroutine S\_GPSTIME)**

$$t = \text{DMOD}(t, 86400.) \quad !$$

8. **Slant factor sf:**

$$\text{sf} = 1. + 16. \cdot (0.53 - e)^3 \quad !$$

9. **Period of model PER:**

If PER less than 72000.D0

$$\text{PER} = 72000.$$

Else

$$\text{PER} = \text{beta}(1) + \text{beta}(2) \cdot \text{lat}_m + \text{beta}(3) \cdot \text{lat}_m^2 + \text{beta}(4) \cdot \text{lat}_m^3$$

#### 10. Phase of the model x (Maximum at 14.00 =! 50400 sec local time):

$$x = 2 \cdot \pi \cdot (t - 50400) / \text{PER} \quad !$$

#### 11. Amplitude of the model AMP:

$$\text{AMP} = \text{alpha}(1) + \text{alpha}(2) \cdot \text{lat}_m + \text{alpha}(3) \cdot \text{lat}_m^2 + \text{alpha}(4) \cdot \text{lat}_m^3$$

#### 12. Ionospheric slant correction $\tau_{\text{iono}}$ :

Night (DABS(x) greater Than 1.57):

$$\tau_{\text{iono}} = \text{sf} \cdot (5.D-9)$$

Day:

$$\tau_{\text{iono}} = \text{sf} \cdot (5.D-9 + \text{AMP} \cdot (1.D0 - x^2/2. + x^4/24.))$$

at any local time and pointing direction of the ground station antenna and determines the path delay. This is done using the Klobuchar model introducing the Klobuchar coefficients from GPS measurements.

#### 2.4.4.2 Plasma calibration of the antenna frequency

Subroutine S\_PLASMA\_CALIB\_MOD corrects for the contribution by the propagation through the earth ionosphere by using the model for the earth ionosphere defined in module M\_ION\_CALIB.

**IFMS-SPEC-2483:** Subroutine S\_PLASMA\_CALIB\_MOD accepts the ionospheric slant correction  $\tau_{\text{iono}}$  from module M\_IONO\_CALIB

**IFMS-SPEC-2484:** The correction for the Earth ionosphere is then

$$m = \tau_{\text{iono}} \cdot f_{\text{down}}$$

where  $m$  is the cycle advance and the shift in frequency is:



$$\Delta f_{iono} = \frac{dm}{d\tau_{iono}}$$

This is done for each frequency band

**IFMS-SPEC-2485:** The result from IFMS-SPEC-2484 is transferred to M\_OUTPUT added to the tropospheric correction described above and the sum is stored in column 11

**IFMS-SPEC-2486:** The result from IFMS-SPEC-2484 is transferred to M\_PREDICT and added to the predicted Doppler data (see section 2.5)

## 2.5 MODULE M\_PREDICT

M\_PREDICT accepts a Doppler predict file: the predict file PREDICT\_FILE considers all possible perturbing forces as the best known gravity field and solar and albedo radiation pressure. For more details about the PREDICT\_FILE see document [3]. M\_PREDICT interpolates for a given time stamp between the computed sky frequency based on predicted parameters and returns an estimated sky frequency for each observed time stamp. This is done for each frequency band.

**IFMS-SPEC-2510:** M\_PREDICT accepts input data from PREDICT\_FILE with the file name format defined in [1] section 8.1 or in [1] section 8.2 for the predicted orbit or the reconstructed orbit file, respectively. PREDICT\_FILE contains both the Doppler uplink and downlink data.

**IFMS-SPEC-2520:** M\_PREDICT accepts predicted Doppler data from PREDICT\_FILE (file name specified in IFMS-SPEC-2210) formatted as defined in [1] section 8.1 or in [1] section 8.2 for the predicted orbit or the reconstructed orbit file, respectively.

**IFMS-SPEC-2525:** M\_PREDICT\_FILE contains predicted Doppler data with a time period that covers one entire operation.

**IFMS-SPEC-2530:** Subroutine S\_DOP\_PRED reads predicted Doppler data from PREDICT\_FILE and computes for each frequency band the predicted antenna frequency  $f_{pred,antenna}$  received at a given ground station via

$$f_{pred,antenna} = k \cdot f_{up} \left( 1 + P_{up} + P_{down} + P_{up} \cdot P_{down} \right)$$

where  $P_{up} = \frac{\Delta f_{up}}{f_{up}} = \frac{v_{r,up}}{c}$  and  $P_{down}$  is the predicted Doppler of the uplink and the downlink path, respectively. The result is stored in the array DOPPLER\_PREDICT\_SKY. For more details about the computation see Appendix A.

**IFMS-SPEC-2535:** Subroutine S\_DOP\_PRED accepts from M\_READ\_INPUT\_DATA the array TIME\_DOPPLER representing the observed Doppler time stamps. S\_DOP\_PRED interpolates between each sky frequency data of DOPPLER\_PREDICT\_SKY for each observed time stamp given as TIME\_DOPPLER. This is done for each frequency band.

**IFMS-SPEC-2540:** The interpolated result will be provided as the array DOPPLER\_PREDICT\_INT in subroutine S\_DOP\_PRED. The tropospheric calibration and the plasma correction are added to the interpolated predicts.

$$f_{pred,calib} = f_{pred} + \Delta f_{iono} + \Delta f_{tropo}$$

This is done for each frequency band.

**IFMS-SPEC-2545:** The corrected result from IFMS-SPEC-2540 will be provided as the array DOPPLER\_PREDICT\_CAL in subroutine S\_DOP\_PRED. The array is transferred to the subroutine M\_OUTPUT and stored in column 10 of the output file. This is done for each frequency band.

**IFMS-SPEC-2550:** Subroutine S\_DOP\_PRED computes for each frequency band the frequency residuals  $\Delta f_{res}$  by subtracting the interpolated and corrected, predicted antenna frequency  $\Delta f_{pred,calib}$  stored in the array DOPPLER\_PREDICT\_INT from the measured and calibrated antenna frequency  $f_{antenna}$ .

$$\Delta f_{res} = f_{antenna} - f_{pred,calib}$$

**IFMS-SPEC-2551:** The result from IFMS-SPEC-2550 is transferred to M\_OUTPUT and stored in column 12.

**IFMS-SPEC-2560:** M Subroutine S\_DOP\_PRED reads time values of the two way light time from PREDICT\_FILE and interpolates between each value of the two way light time for each observed time stamp given as TIME\_DOPPLER. This is done for each frequency band.

**Rosetta Radio Science Investigations RSI**  
**Mars Express Orbiter Radio Science Experiment MaRS**  
**Venus Express Radio Science Experiment VeRa**  
**IFMS Doppler Processing Software : Level 1a to Level 2**

Document number

Issue: 5

Revision:

1

MEX-MRS-IGM-DS-3035

Date: 25.04.2016

Page

35 of 61

ROS-RSI-IGM-DS-3118

VEX-VRA-IGM-DS-3011

**IFMS-SPEC-2561:** The resulting values are subtracted from TIME\_DOPPLER at each time stamp in order to compute the transmit frequency ramp reference time.

**IFMS-SPEC-2562:** The result from IFMS-SPEC-2561 is transferred to M\_OUTPUT and stored in column 6.

### 3 OUTPUT FILES

#### 3.1 MODULE M\_OUTPUT

The module M\_OUTPUT provides different functions and subroutines in order to generate the output files of the X-band and S-band Doppler data. In addition routines are provided to produce the .log file and a file containing data about frequency computation if the information in the header and the active table of the IFMS X-band and S-band files are not equal.

##### 3.1.1 Data files

**IFMS-SPEC-3000:** The DOPPLER\_OUTPUT file names are defined as

**rggICLxL02\_sss\_yyddhhmm\_qq.TAB**

The definitions are given in Table 3-1.

**Table 3-1:** DOPPLER\_OUTPUT file name Definition

placeholder	description	example
r	spacecraft name M = MEX R = Rosetta V = VEX	M
gg	ground station xx = ESA Cerbreros 32 = ESA New Norcia	32
ICLx	Data source IFMS closed-loop x = 1 => NN11 x = 2 => NN12 x = 3 => NN13	ICL1
L02	Data level L02	L02
sss	File type D1X = X-band Doppler file channel 1 D1S = S-band Doppler file channel 1 D2X = X-band Doppler file channel 2 D2S = S-band Doppler file channel 2	D1X
yy	year	03
ddd	day of year	180
hhmm	start time of data in hour, minute	2345
qq	not used	00
TAB	Extension .TAB data file	TAB

**IFMS-SPEC-3010:** The format of the DOPPLER\_OUTPUT\_X file is defined in Table 3-2. The format of the DOPPLER\_OUTPUT\_S file is defined in Table 3-3.

**IFMS-SPEC-3020:** All data that are not available in the data file are set to a default value corresponding to their format description. For example data with format F10.3 are set to -99999.999. This default value indicates that the data is not a valid number and can not be used for further computations. For details see Table 3-2 and Table 3-3.

**IFMS-SPEC-3030:** The first and the last value of column 11 of the DOPPLER\_OUTPUT\_X file and DOPPLER\_OUTPUT\_S\_file (calibration) is set to his default value due to the way of computation.

**IFMS-SPEC-3040:** If the differential Doppler can not be computed the differential Doppler will be set to -99999.999. This is the case if only X-band Doppler data exist, only S-band Doppler data exist and/or the sample interval of S-Band data and X-Band data are not equal.

**Table 3-2** Definition of DOPPLER\_OUTPUT\_X file format

column	description	unit	resolution
1	Sample number		
2	Ground received time <i>as UTC in ISO format</i>		
3	Ground received time <i>as UTC in fractions of day of year starting with the first day of the year the data was recorded at 00:00.000</i>	days	10 <sup>-10</sup> days
4	Ground received time <i>as elapsed terrestrial barycentric dynamic time (TDB) time since noon of the first calendar day of year 2000 (12:00 1 January 2000 TDB)</i>	sec	10 <sup>-6</sup> sec
5	Geometric impact parameter <u>Propagation experiments:</u> <i>approximate value of the closest approach of a downlink geometric ray path to the center of the reference body (Sun, planet, minor object). When two-way, the value is approximate average of uplink and downlink rays</i> <u>Gravity observations:</u> <i>geometric distance of the s/c from the center of mass of referenced body</i>	km	10 <sup>-3</sup> m
6	Transmit frequency ramp reference time <i>UTC in ISO format</i> <i>The time (t<sub>0</sub>) at which the transmitted frequency would have been f<sub>0</sub> using the coefficients f<sub>0</sub> (column 7) and df (column 8). At any time t within the interval when those coefficients are valid, the transmitted frequency f<sub>t</sub> may be calculated from</i> $f_t = f_0 + df \cdot (t - t_0)$ <u>For DSN two-way measurements:</u> <i>f<sub>t</sub> is the uplink frequency of the ground transmitter; the f<sub>t</sub> photon will reach the receiver one RTLT later.</i> <u>For DSN one-way measurements:</u> <i>f<sub>t</sub> is the downlink frequency of the spacecraft transmitter; the f<sub>t</sub> photon will reach the receiver OWLT later. In both cases, f<sub>0</sub> and df may change; but f<sub>t</sub> is always continuous, and changes in the coefficients occur only on integer seconds.</i> <u>For IFMS measurements:</u> $f_t = f_0$		

**Rosetta Radio Science Investigations RSI**  
**Mars Express Orbiter Radio Science Experiment MaRS**  
**Venus Express Radio Science Experiment VeRa**  
**IFMS Doppler Processing Software : Level 1a to Level 2**

Document number  
MEX-MRS-IGM-DS-3035  
ROS-RSI-IGM-DS-3118  
VEX-VRA-IGM-DS-3011

Issue: 5  
Date: 25.04.2016

Revision: 1  
Page 39 of 61

	<i>because <math>df=0</math>.</i>		
7	<p>Transmit frequency corresponding to time in column 6</p> <p><u>Two-way coherent modes:</u>  <i>Uplink frequency of ground station</i>  <i>S-band order of 2100 MHz</i>  <i>X-band order of 7100 MHz</i></p> <p><u>One-way mode:</u>  <i>S/C transmission frequency</i>  <i>X-band order of 8400 MHz</i>  <i>S-band order of 2300 MHz</i></p>	Hz	$10^{-6}$ Hz
8	<p>Uplink frequency ramp rate</p> <p><u>DSN two-way coherent:</u>  <i>Time derivative of uplink frequency in column 7</i></p> <p><u>DSN one-way downlink mode:</u>  <i>Value of spacecraft frequency drift, if known and/or meaningful; -99999.999999</i></p> <p><u>IFMS measurements:</u>  <i>Ramp rate is always zero; <math>df=0</math></i></p>	Hz/sec	$10^{-6}$ Hz/sec
9	<p>Observed X-band antenna frequency</p> <p><i>Frequency of the signal at the terminals of the receiving antenna structure at UTC TIME columns 2 to 4 (<math>t_i</math>). Set to -9999999999.999999 for missing or corrupted data.</i></p>	Hz	$10^{-6}$ Hz
10	<p>Predicted X-band antenna frequency</p> <p><i>Based on the ESOC reconstructed orbit file or SPICE kernels</i></p> <p><i>Expected frequency of the signal at the terminals of the receiving antenna structure at UTC TIME in columns 2 to 4 (<math>t_i</math>). The calculation includes geometrical effects (relative positions and motions of ground station and spacecraft, including Earth rotation and light time adjustments), tuning of both the transmitter and receiver and a model-based correction for one- or two-way (as appropriate) propagation through the Earth's atmosphere.</i></p>	Hz	$10^{-6}$ Hz
11	<p>Correction of Earth atmosphere propagation</p> <p><i>Correction term for the propagation of the signal in the Earth atmosphere, based on meteorological data observed at the ground station site (MET-files)</i></p>	Hz	$10^{-6}$ Hz
12	<p>Residual calibrated X-band frequency shift</p> <p><i>column 9 minus 10</i></p>	Hz	$10^{-6}$ Hz

13	<p>Received signal level</p> <p><u>Closed-loop data:</u>  <i>Signal level from AGC in decibels relative to one milliwatt (dBm).</i></p> <p><u>Open-loop (RSR):</u>  <i>Signal level in decibels (dB) relative to an arbitrary reference.</i></p>	dBm / dB	0.1 dB
14	<p>Differential Doppler</p> $f_s - \frac{3}{11}f_x$ <p>Where <math>f_s</math> and <math>f_x</math> are the received S-band and X-band frequencies</p> <p>If BAND_NAME = X (from the label file), <math>f_x</math> comes from column 9 in this table and <math>f_s</math> comes from column 9 in the file identified by SOURCE_ID (from the label file).</p> <p>If BAND_NAME = S (from the label file), <math>f_s</math> comes from column 9 in this table and <math>f_x</math> comes from column 9 in the file identified by SOURCE_ID (from the label file).</p> <p>if either band is not available, this column is set " -99999.999 "</p>	Hz	$10^{-6}$ Hz
15	<p>standard deviation of the observed antenna frequency X-band in column 9 (open-loop only)</p> <p>for closed-loop this value is set " -99999.999 "</p>	Hz	$10^{-6}$ Hz
16	<p>Received X-band signal quality (open-loop only)</p> <p>Ratio of observed received signal strength to the statistical standard deviation of the measurement, column 15 divided by column 19</p> <p>For closed-loop this is value is set " -999.9 "</p>	dB	0.1 dB
17	<p>standard deviation of received signal level at X-band (open-loop)</p> <p>A statistical measure of the error in determining SIGNAL LEVEL (column 15) based on fit of a data spectrum to a sinc function. Uses the same arbitrary scale factor as column 15; units of dB.</p> <p>for closed-loop this is set " -999.9 "</p>	dB	0.1 dB



**Table 3-3: Definition of DOPPLER\_OUTPUT\_S file format**

column	description	unit	resolution
1	Sample number		
2	Ground received time <i>as UTC in ISO format</i>		
3	Ground received time <i>as UTC in fractions of day of year starting with the first day of the year the data was recorded at 00:00.000</i>	days	10 <sup>-10</sup> days
4	Ground received time <i>as elapsed terrestrial barycentric dynamic time (TDB) time since noon of the first calendar day of year 2000 (12:00 1 January 2000 TDB)</i>	sec	10 <sup>-6</sup> sec
5	Geometric impact parameter <i><u>Propagation experiments:</u> approximate value of the closest approach of a downlink geometric ray path to the center of the reference body (Sun, planet, minor object). When two-way, the value is approximate average of uplink and downlink rays</i> <i><u>Gravity observations:</u> geometric distance of the s/c from the center of mass of referenced body</i>	km	10 <sup>-3</sup> m
6	Transmit frequency ramp reference time <i>UTC in ISO format</i> <i>The time (t<sub>0</sub>) at which the transmitted frequency would have been f<sub>0</sub> using the coefficients f<sub>0</sub> (column 7) and df (column 8). At any time t within the interval when those coefficients are valid, the transmitted frequency f<sub>t</sub> may be calculated from</i> $f_t = f_0 + df \cdot (t - t_0)$ <i><u>For DSN two-way measurements:</u></i> <i>f<sub>t</sub> is the uplink frequency of the ground transmitter; the f<sub>t</sub> photon will reach the receiver one RTLT later.</i> <i><u>For DSN one-way measurements:</u></i> <i>f<sub>t</sub> is the downlink frequency of the spacecraft transmitter; the f<sub>t</sub> photon will reach the receiver OWLT later. In both cases, f<sub>0</sub> and df may change; but f<sub>t</sub> is always continuous, and changes in the coefficients occur only on integer seconds.</i> <i><u>For IFMS measurements:</u></i> $f_t = f_0$		

	<i>because <math>df=0</math>.</i>		
7	<p>Transmitted frequency corresponding to time in column 6</p> <p><u>Two-way coherent modes:</u>  Uplink frequency of ground station  S-band order of 2100 MHz  X-band order of 7100 MHz</p> <p><u>One-way mode:</u>  S/C transmission frequency  X-band order of 8400 MHz  S-band order of 2300 MHz</p>	Hz	$10^{-6}$ Hz
8	<p>Uplink frequency ramp rate</p> <p><u>DSN two-way coherent:</u>  Time derivative of uplink frequency in column 7</p> <p><u>DSN one-way downlink mode:</u>  Value of spacecraft frequency drift, if known and/or meaningful; -99999.999999</p> <p><u>IFMS measurements:</u>  Ramp rate is always zero; <math>df=0</math></p>	Hz/sec	$10^{-6}$ Hz/sec
9	<p>Observed S-band antenna frequency</p> <p>Frequency of the signal at the terminals of the receiving antenna structure at UTC TIME columns 2 to 4 (<math>t_i</math>). Set to -9999999999.999999 for missing or corrupted data.</p>	Hz	$10^{-6}$ Hz
10	<p>Predicted S-band antenna frequency</p> <p>Based on the ESOC reconstructed orbit file or SPICE kernels</p> <p>Expected frequency of the signal at the terminals of the receiving antenna structure at UTC TIME in columns 2 to 4 (<math>t_i</math>). The calculation includes geometrical effects (relative positions and motions of ground station and spacecraft, including Earth rotation and light time adjustments), tuning of both the transmitter and receiver and a model-based correction for one- or two-way (as appropriate) propagation through the Earth's atmosphere.</p>	Hz	$10^{-6}$ Hz
11	<p>Correction of Earth atmosphere propagation</p> <p>Correction term for the propagation of the signal in the Earth atmosphere and ionosphere, based on meteorological data observed at the ground station site (MET-files)</p>	Hz	$10^{-6}$ Hz
12	Residual calibrated X-band frequency shift	Hz	$10^{-6}$ Hz

**Rosetta Radio Science Investigations RSI**  
**Mars Express Orbiter Radio Science Experiment MaRS**  
**Venus Express Radio Science Experiment VeRa**  
**IFMS Doppler Processing Software : Level 1a to Level 2**

Document number  
MEX-MRS-IGM-DS-3035  
ROS-RSI-IGM-DS-3118  
VEX-VRA-IGM-DS-3011

Issue: 5  
Date: 25.04.2016

Revision: 1  
Page 43 of 61

	<i>column 9 minus 10</i>		
13	<p>Received S-band signal level</p> <p><u>Closed-loop data:</u>  <i>Signal level from AGC in decibels relative to one milliwatt (dBm).</i></p> <p><u>Open-loop (RSR):</u>  <i>Signal level in decibels (dB) relative to an arbitrary reference.</i></p>	dBm / dB	0.1 dB
14	<p>Differential Doppler</p> $f_s - \frac{3}{11}f_x$ <p>Where <math>f_s</math> and <math>f_x</math> are the received S-band and X-band frequencies</p> <p>If BAND_NAME = X (from the label file), <math>f_x</math> comes from column 9 in this table and <math>f_s</math> comes from column 9 in the file identified by SOURCE_ID (from the label file).</p> <p>If BAND_NAME = S (from the label file), <math>f_s</math> comes from column 9 in this table and <math>f_x</math> comes from column 9 in the file identified by SOURCE_ID (from the label file).</p> <p>if either band is not available, this column is set "-99999.999"</p>	Hz	$10^{-6}$ Hz
15	<p>standard deviation of the observed antenna frequency S-band in column 9 (open-loop only)</p> <p>for closed-loop this value is set "-99999.999"</p>	Hz	$10^{-6}$ Hz
16	<p>Received S-band signal quality (open-loop only)</p> <p>Ratio of observed received signal strength to the statistical standard deviation of the measurement, column 15 divided by column 19</p> <p>For closed-loop this value is set "-999.9"</p>	dB	0.1 dB
17	<p>standard deviation of received signal level at S-band (open-loop)</p> <p>A statistical measure of the error in determining SIGNAL LEVEL (column 15) based on fit of a data spectrum to a sinc function. Uses the same arbitrary scale factor as column 15; units of dB.</p> <p>for closed-loop this is set "-999.9"</p>	dB	0.1 dB

### 3.1.2 Label files

See [1] for more information.

### 3.1.3 Additional Output Files

#### 3.1.3.1 *Log file*

The Module M\_OUTPUT generates an additional output file a so called log file. This file contains the processing mode, the whole path of all input files, additional information like downlink and uplink frequency in Hz, the sample rate in samples per seconds, statistical data about the processed data like average value and standard deviation, version of the processing software and error messages.

The log file will not be distributed and is only intended for internal use. Therefore the filename of the log file is not complying with [1]. But in order to relate the log file with the corresponding data files the log file gets the file name of the corresponding DOPPLER\_OUTPUT\_X\_file but instead of the ending .tab the ending .log is used. If a log file is already existing in the processing folder and the date are not automatically processed the log file gets the file name of the corresponding DOPPLER\_OUTPUT\_S\_file with ending .log. An example of a log file is shown in Figure 3-1.

**IFMS-SPEC-3100:** The average values of the residuals of S-Band data and X-Band data are computed only for the first 40% of the data. The computation is done via the following formulation

$$\bar{f}_{res} = \frac{1}{N} \sum_{i=1}^N f_{res_i}$$

**IFMS-SPEC-3110:** The standard deviation of the residuals of S-Band data and X-Band data are computed only for the first 40% of the data. The computation is done via the following formulation

$$f_{res,std} = \sqrt{\frac{1}{N} \sum_{i=1}^N (f_{res_i} - \bar{f}_{res})^2}$$

**Rosetta Radio Science Investigations RSI**  
**Mars Express Orbiter Radio Science Experiment MaRS**  
**Venus Express Radio Science Experiment VeRa**  
**IFMS Doppler Processing Software : Level 1a to Level 2**

Document number  
MEX-MRS-IGM-DS-3035  
ROS-RSI-IGM-DS-3118  
VEX-VRA-IGM-DS-3011

Issue: 5  
Date: 25.04.2016

Revision: 1  
Page 45 of 61

MEX

GR

GRAVITY

FLAGS FROM PROCESS\_OPTIONS FILE:

-----  
T Processing with Predict  
T Processing with AGC  
F Additional file containing the correct frequencies is needed  
T Active table of the X-band file contains the correct frequencies  
F Coherency flag is automatically set to false (i.e. one-way)

NUMBER OF INPUT FILES:

-----  
02 Number of doppler S-band files  
02 Number of doppler X-band files  
01 Number of Meteo files  
02 Number of AGC S-Band files  
02 Number of AGC X-Band files

FILES USED FOR PROCESSING:

-----  
Z:\processed\_temp\mex\Orbit\2005\DOY\_002\_1\_MEX\NN13\_NN11\D1\NN13\_MEX1\_20  
05\_002\_OP\_D1\_054220\_0000  
Z:\processed\_temp\mex\Orbit\2005\DOY\_002\_1\_MEX\NN13\_NN11\D1\NN13\_MEX1\_20  
05\_002\_OP\_D1\_054220\_0001  
Z:\processed\_temp\mex\Orbit\2005\DOY\_002\_1\_MEX\NN13\_NN11\D1\NN11\_MEX1\_20  
05\_002\_OP\_D1\_054206\_0000  
Z:\processed\_temp\mex\Orbit\2005\DOY\_002\_1\_MEX\NN13\_NN11\D1\NN11\_MEX1\_20  
05\_002\_OP\_D1\_054206\_0001  
Z:\processed\_temp\mex\Orbit\2005\DOY\_002\_1\_MEX\add\NN11\_MEX1\_2005\_002\_OP  
\_ME\_054214\_0000  
Z:\processed\_temp\mex\Orbit\2005\DOY\_002\_1\_MEX\add\M32UNBWL02\_PTW\_050020  
523\_00.TAB  
Z:\processed\_temp\mex\Orbit\2005\DOY\_002\_1\_MEX\NN13\_NN11\D1\NN13\_MEX1\_20  
05\_002\_OP\_G1\_054232\_0000  
Z:\processed\_temp\mex\Orbit\2005\DOY\_002\_1\_MEX\NN13\_NN11\D1\NN13\_MEX1\_20  
05\_002\_OP\_G1\_054232\_0001  
Z:\processed\_temp\mex\Orbit\2005\DOY\_002\_1\_MEX\NN13\_NN11\D1\NN11\_MEX1\_20  
05\_002\_OP\_G1\_054218\_0000  
Z:\processed\_temp\mex\Orbit\2005\DOY\_002\_1\_MEX\NN13\_NN11\D1\NN11\_MEX1\_20  
05\_002\_OP\_G1\_054218\_0001

**Rosetta Radio Science Investigations RSI**  
**Mars Express Orbiter Radio Science Experiment MaRS**  
**Venus Express Radio Science Experiment VeRa**  
**IFMS Doppler Processing Software : Level 1a to Level 2**

Document number  
MEX-MRS-IGM-DS-3035  
ROS-RSI-IGM-DS-3118  
VEX-VRA-IGM-DS-3011

Issue: 5  
Date: 25.04.2016

Revision: 1  
Page 46 of 61

FILES CREATED DURING PROCESSING:

-----  
Z:/Processed\_temp/MEX/Orbit/2005/DOY\_002\_1\_MEX/NN13\_NN11/D1/M32ICL3L02  
\_D1S\_050020542\_00.TAB  
Z:/Processed\_temp/MEX/Orbit/2005/DOY\_002\_1\_MEX/NN13\_NN11/D1/M32ICL1L02  
\_D1X\_050020542\_00.TAB  
Z:/Processed\_temp/MEX/Orbit/2005/DOY\_002\_1\_MEX/NN13\_NN11/D1/M32ICL3L02  
\_D1S\_050020542\_00.LBL  
Z:/Processed\_temp/MEX/Orbit/2005/DOY\_002\_1\_MEX/NN13\_NN11/D1/M32ICL1L02  
\_D1X\_050020542\_00.LBL

CONFIGURATION INFO:

-----  
UPLINK-FREQUENCY X-BAND: 7166619369.9976720809936523  
DOWNLINK-FREQUENCY X-BAND: 8420060140.9852495193481445  
SAMPLE-INTERVAL X-BAND: 1.0000000000000000  
TRANSPONDER-RATIO X-BAND:880/749  
UPLINK-FREQUENCY S-BAND: 7166619369.9976720809936523  
DOWNLINK-FREQUENCY S-BAND: 2296380038.4505224227905273  
SAMPLE-INTERVAL S-BAND: 1.0000000000000000  
TRANSPONDER-RATIO S-BAND:240/749

PROCESSING INFO

-----  
AVERAGE S-BAND RESIDUALS IN mHZ: -6.94218  
STANDARD DEVIATION S-BAND RESIDUALS IN mHZ: 4.39143  
AVERAGE X-BAND RESIDUALS IN mHZ: 9.68471  
STANDARD DEVIATION X-BAND RESIDUALS IN mHZ: 14.90616  
PLASMA-CORRECTION DONE WITH DIFFERENTIAL DOPPLER  
FILES OVERLAPPING IN TIME  
X-BAND-MODE: TWO-WAY  
S-BAND-MODE: TWO-WAY

SOFTWARE INFO:

-----  
SOFTWARE NAME: ESA\_IFMS\_PROC\_DOP\_L1A\_TO\_L2\_V2.0  
CREATION TIME: 2005-05-27T12:23:41.000  
PROCESSED BY: andert

ERRORS:

-----

**Figure 3-1: Example of a log file**

### 3.1.3.2 Frequency correction files

The data contained in the header and active table of the IFMS level 1a Doppler data file at X-band and S-band for reconstruction of the uplink frequency at groundstation should be equal because only one signal with one frequency is emitted from groundstation.

Sometimes the data for frequency reconstruction IFMS level 1a Doppler data file at X-band and S-band are not equal due to unknown problems on ESOC site. In this case the data for frequency reconstruction of the IFMS level 1a Doppler data file are used per default from the IFMS level 1a Doppler data file at X-band for processing both files and a data file containing information about the source file, the output file, the file in which the frequency is changed and the original and new frequency and the according label file is generated.

**IFMS-SPEC-3150:** The UPLINK\_CORRECTION and the according label file names are defined as

#### UPLINK\_FREQ\_CORRECT\_NN nn\_Dd.eee

Acronym	Description	Example
nn	IFMS 1, 2 or 3	NN11 NN12 NN13
d	Doppler channel 1 or 2	1 2
eee	File ending	TAB (Data file) LBL (Label file)

**Table 3-4: File Naming Convention of the uplink frequency correction file and the corresponding label file.**

**Table 3-5** Definition of UPLINK\_CORRECTION file format

column	description
1	Original Level 1a file in which the wrong frequency information are detected
2	Level 2 file in which the corrected frequency information are incorporated
3	Original uplink frequency [Hz]
4	Corrected uplink frequency [Hz]
5	Source file where the correct frequency is stored

A detailed description of the label files can be found in [1] .

## 4 USAGE OF THE SOFTWARE

The above described software is embedded in a PERL script that calls the software. The processing options like mission, observation type and number of files can be adjusted by means of a graphical interface. In addition there is a possibility provided to process an amount of data automatically. But for this a log file (see section 3.1.3.1) must exist.

The selection of the respective files for processing is done via another graphical interface shown below in Figure 4-1. The simultaneously arising DOS window (see Figure 4-2) indicates what kind of file is needed and shows subsequently the processing status.

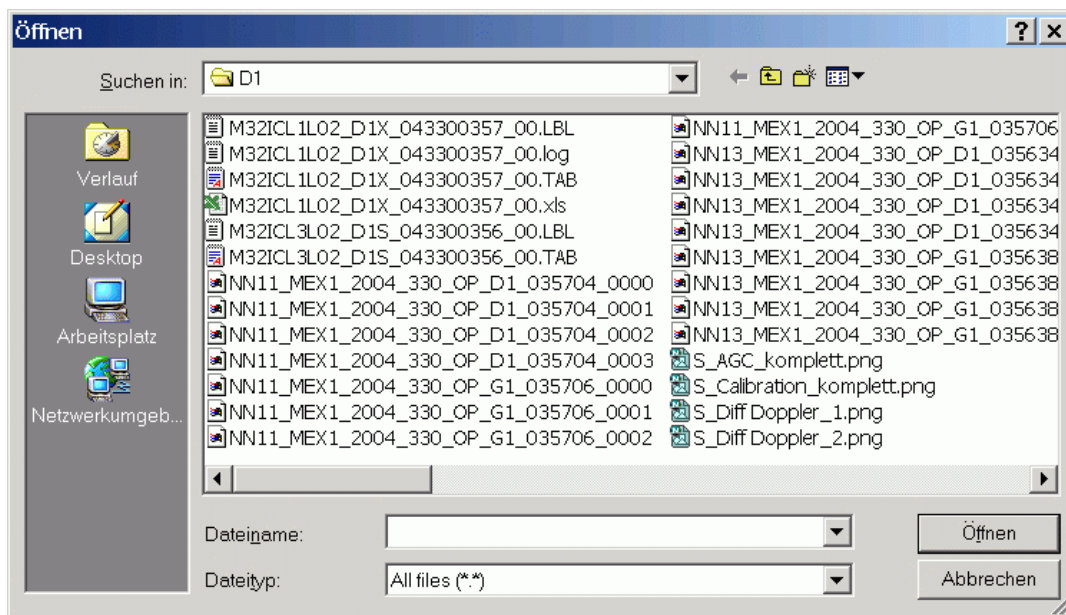
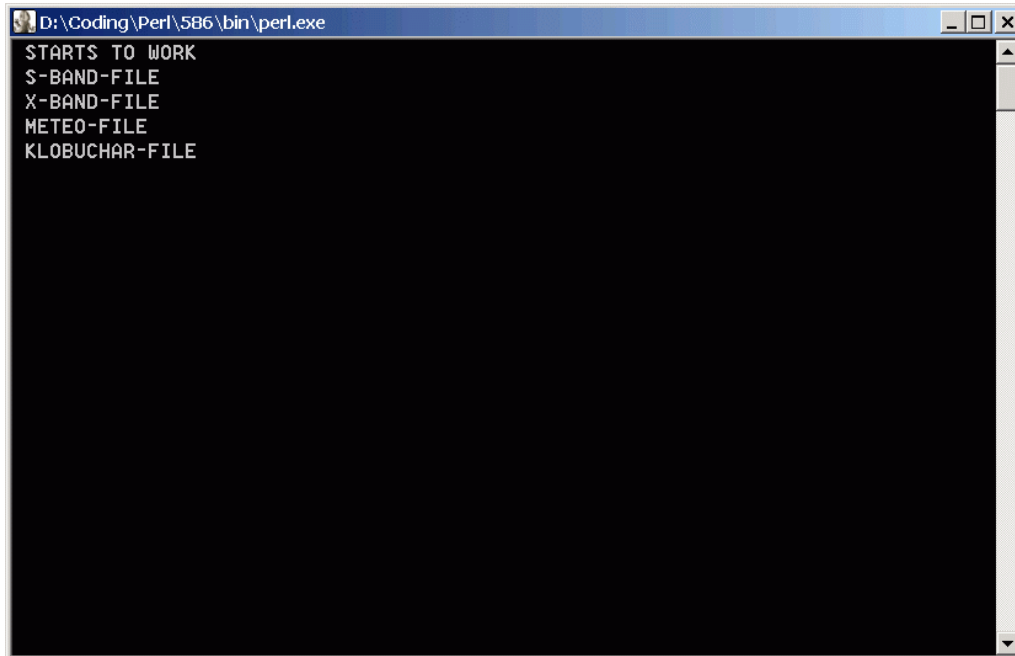


Figure 4-1: Graphical interface for selection of the input files.



A screenshot of a DOS window titled "D:\Coding\Perl\586\bin\perl.exe". The window contains the following text:

```
STARTS TO WORK
S-BAND-FILE
X-BAND-FILE
METEO-FILE
KLOBUCHAR-FILE
```

Figure 4-2: DOS window showing information about the kind of file needed to be inputted and processing status.

## 4.1 GRAPHICAL INTERFACE

The graphical interface shown in Figure 4-3 is divided in several adjustment parts for processing. The programming language for the graphical interface is Perl.

### 1. Mission

- **MEX:** Mars-Express
- **ROS:** Rosetta
- **VEX:** Venus-Express

### 2. Observation type

- **Commissioning:** Part of the mission where the retrieved data are only used for calibration aims.
- **Occultation:** Occultation measurements are performed
- **Target Gravity:** A specified target is chosen for gravity measurements
- **Global Gravity:** Global measurements are performed
- **Phobos:** Gravity measurements at the Mars moon Phobos are performed (only for Mars-Express applicable)

### 3. Procession mode:

- **Occultation:** Only tropospheric calibration (see section 2.4.1 is applied)
- **Gravity:** Tropospheric and plasma calibration is applied. The plasma calibration is done via the differential Doppler (see section 2.4.2 and 2.4.3 for more details). If the conditions for plasma calibration are not fulfilled no plasma correction will be applied.

### 4. Automatically processing

In this part the year and the day of year of the data to process must be entered. If the data are automatically processed all other information required for processing are read in from the corresponding log file that is stored in the same folder as the data to process. Therefore no other options are need to be adjusted. The format of the year must be yyyy for example 2004 and for the day of year ddd for example 009. To process only one day start day and stop day have to be the same.

### 5. Additional processing information

- **One way operation:** If the information in the header and the active table of the IFMS Doppler files of level 1a are wrong the operation mode can be set manually to one way by setting this button.
- **Additional file for frequency correction:** If the information in the header and active table of the IFMS Doppler files of level 1a for frequency reconstruction are in both files not correct it is possible to add another file containing the correct frequency reconstruction information to the process operation. This can be done by setting this button
- **Active table of X-Band is containing the correct frequency data:** If the information in the header and active table of the IFMS Doppler files of level 1a for frequency reconstruction are not equal the information in the X-Band data are used per default for both files. Does the S-band is containing the correct data and this data should be used this can be done by not setting this button.

### 6. Number of input files

This part defines the number of files to process and which kind of files are available. Both X-band and S-band files and the meteo file are required for processing. The processing can be done without a predict file and AGC file but not all columns of the output file will get a valid value. The Klobuchar file is only required for plasma correction (see section 2.4.4 for more details) for Occultation and for Gravity measurements if no differential Doppler is available.

**Rosetta Radio Science Investigations RSI**  
**Mars Express Orbiter Radio Science Experiment MaRS**  
**Venus Express Radio Science Experiment VeRa**  
**IFMS Doppler Processing Software : Level 1a to Level 2**

Document number

Issue: 5

Revision:

1

MEX-MRS-IGM-DS-3035

Date: 25.04.2016

Page

51 of 61

ROS-RSI-IGM-DS-3118

VEX-VRA-IGM-DS-3011

Perl IFMS Doppler 1A TO 2

Your login: andert

Please choose Mission:  MEX  ROS  VEX

Select Observation Type:

COMMISSIONING  
 OCCULTATION  
 TARGET GRAVITY  
 GLOBAL GRAVITY  
 PHOBOS

Select Processing Mode:

OCCULTATION  
 GRAVITY

Autoprocessing: ON Year:  Start:  End:

One-Way Operation: YES  
 Additional file for frequency correction: YES  
 Active table of X-Band is containing the correct frequency data: YES

X-Band Doppler File available   
 S-Band Doppler File available   
 AGC X-Band File available   
 AGC S-Band File available   
 MET File available   
 UBW File available  
 Klobuchar File available

Quit

Process IFMS DOPPLER

Figure 4-3: Graphical Interface for IFMS Doppler data processing

## 4.2 ADDITIONAL OUTPUT FILES

Several files with additional information about the processed data are produced during the processing operation by means of a PERL script which is called by the main script.

### 4.2.1 Data validation Excel sheet

An Excel sheet is automatically generated during the processing operation. The information contained in the Excel sheet is read in from the above described log file. This Excel sheet is used for data validation aims and is complemented with additional information during data validation and can accordingly be copied into a log book comprising processing information about all level 2 data.

The excel sheet will not be distributed and is only intended for internal use. Therefore the filename of the Excel sheet is not complying with [1]. But in order to relate the Excel sheet with the corresponding data files the Excel sheet gets the file name of the corresponding DOPPLER\_OUTPUT\_X\_file but instead of the ending .tab the ending .xls is used.

### 4.2.2 Data illustration

During the processing operation a number of plots illustrating the processed data are automatically generated.

- **Correction of the earth atmosphere propagation** (column 11 in the data file of level 2) in Hz is plotted over the entire time period. This is done for S-band and X-band Doppler data.
- **Residual calibrated data** (column 12 in the data file of level 2) in Hz is plotted over the entire time period for S-band and X-Band Doppler data. In addition partial plots are generated. If the total number of sample points is bigger than 3600 the data to illustrate is divided into subintervals with 3600 data points or less for the remaining data points and plotted. If the total number of sample points is smaller than 3600 the data to illustrate is divided into subintervals with 600 data points or less for the remaining data points and plotted.
- **Received signal level** (column 13 in the data file of level 2) in dBm is plotted over the entire time period for S-band and X-Band Doppler data.
- **Differential Doppler** (column 14 in the data file of level 2) is plotted over the entire time period for S-band and X-Band Doppler data if it is available. In addition partial plots are generated. If the total number of sample points is bigger than 3600 the data to illustrate is divided into subintervals with 3600 data points or less for the remaining data points and plotted. If the total number of sample points is smaller than 3600 the data to illustrate is divided

into subintervals with 600 data points or less for the remaining data points and plotted.

### 4.3 ERRORS

The following describes some errors that maybe occur during the processing operation.

- A kernel defined in the list of loaded kernels is not available in the folder where all kernels for processing are stored. Therefore the missing kernel has to be copied into the kernel folder. An example of the error message is shown in Figure 4-4.

```

D:\Coding\Perl\586\bin\perl.exe
Start:365 Ende:365

DOY_365_MEX
find_log done!!
STARTS TO WORK

=====

Toolkit version: N0053

SPICE(NOSUCHFILE) --

The tenth file
'Z:\ddswork\process_data\Soft_Doppler_L2\Kernels\ORMM__041201000000_00105.BSP'
specified by KERNELS_TO_LOAD in the file
Z:\ddswork\process_data\Soft_Doppler_L2\Kernels\List_of_loaded_kernels.txt
could not be located.

A traceback follows. The name of the highest level module is first.
FURNISH --> ZZLDKER

Oh, by the way: The SPICELIB error handling actions are USER-TAILORABLE. You
can choose whether the Toolkit aborts or continues when errors occur, which
error messages to output, and where to send the output. Please read the ERROR
"Required Reading" file, or see the routines ERRACT, ERRDEV, and ERRPRT.

=====
Return code 1
Sorry, an error occurred! No output produced!
-----

```

Figure 4-4: Example of an error message if a kernel file is missing.

- A wrong kernel file containing ephemeris data with inappropriate time stamps is loaded. This has to be corrected in the module M\_SPICE. An example of the error message is shown in Figure 4-5

```

D:\Coding\Perl\586\bin\perl.exe
DOY_365_MEX
find_log done!!
STARTS TO WORK

=====

Toolkit version: N0053

SPICE(SPKINSUFFDATA) --

Insufficient ephemeris data has been loaded to compute the state of -41 (MARS
EXPRESS) relative to 0 (SOLAR SYSTEM BARYCENTER) at the ephemeris epoch 2004
DEC 30 05:34:15.683.

A traceback follows. The name of the highest level module is first.
SPKEZR --> SPKEZ --> SPKAPP --> SPKSSB --> SPKGEO

Oh, by the way: The SPICELIB error handling actions are USER-TAILORABLE. You
can choose whether the Toolkit aborts or continues when errors occur, which
error messages to output, and where to send the output. Please read the ERROR
"Required Reading" file, or see the routines ERRACT, ERRDEU, and ERRPRT.

=====
Return code 1
Sorry, an error occurred! No output produced!

```

Figure 4-5: Example of an error message if a wrong kernel file is loaded.

- Two or more identical lines in the data file are existing and therefore the interpolation routine is not working. Consequently the redundant information has to be erased. This can happen in the meteo file of level 1a and the predict file. An example of the error message is shown in Figure 4-6. If the meteo file contains redundant data the terminal error arises after READ DOPPLER DONE.

```

D:\Coding\Perl\586\bin\perl.exe
Start:365 Ende:365

DOY_365_MEX
find_log done!!
STARTS TO WORK
READ DOPPLER DONE
READ METEO DONE
TROPO CALIBRATON DONE
DIFFERENTIAL DOPPLER DONE
PLASMA CALIBRATION DONE

*** TERMINAL ERROR 2 from DC1SOR.  Points in the data point abscissas array,
***      XDATA, must be distinct, but XDATA(2) = XDATA(3) =
***      1.576555624123737D+08.

Here is a traceback of subprogram calls in reverse order:
Routine name      Error type  Error code
-----
DC1SOR            5           2    (Called internally)
DC2DEC            0           0    (Called internally)
DC2INT            0           0    (Called internally)
DC2IEZ            0           0    (Called internally)
DCSIEZ            0           0
USER              0           0

Kein Logfile

```

Figure 4-6: Example of an error message if redundant data is contained in the predict file.



## APPENDIX A

### Computation of the sky frequency received at ground station from doppler predicts

#### Acronyms:

$f_{gs}$  = frequency emitted from ground station  
 $f_{sc}$  = frequency emitted from spacecraft  
 $f_{r_{sc}}$  = frequency received at spacecraft  
 $f_{r_{gs}}$  = frequency received at ground station

$\Delta f_{sc}$  = frequency shift received at spacecraft in the uplink signal emitted from groundstation

$\Delta f_{gs}$  = frequency shift received at groundstation in the downlink signal emitted from the spacecraft

K = transponder conversion ratio

$P_{UL}$  = doppler predict of the uplink signal independent from frequency

$P_{DL}$  = doppler predict of the downlink signal independent from frequency

#### General relations:

$$P_{UL} = \frac{\Delta f_{sc}}{f_{s_{gs}}}$$

$$P_{DL} = \frac{\Delta f_{gs}}{f_{s_{sc}}}$$

### One-way case

$$\Delta f_{gs} = f_{sc} \cdot P_{DL}$$

it is needed

$$f'_{gs} = \Delta f_{gs} + f_{sc}$$

therefore the sky frequency is

$$f'_{gs} = f_{sc} \cdot P_{DL} + f_{sc}$$

or

$$f'_{gs} = f_{sc} \cdot (P_{DL} + 1)$$

Two-way case:

$$\Delta f_{sc} = f s_{gs} \cdot P_{UL}$$

$$\Delta f_{gs} = f s_{sc} \cdot P_{DL}$$

needed is

$$f r_{gs} = \Delta f_{gs} + f s_{sc}$$

therefore

$$f r_{gs} = f s_{sc} \cdot P_{DL} + f s_{sc}$$

or

$$f r_{gs} = f s_{sc} \cdot (P_{DL} + 1)$$

with

$$f s_{sc} = K \cdot f r_{sc}$$

$$\Rightarrow f r_{gs} = K \cdot f r_{sc} \cdot (P_{DL} + 1)$$

$$\Rightarrow f r_{gs} = K \cdot (f s_{gs} + \Delta f_{sc}) \cdot (P_{DL} + 1)$$

$$\Rightarrow f r_{gs} = K \cdot f s_{gs} \left( 1 + \frac{\Delta f_{sc}}{f s_{gs}} \right) \cdot (P_{DL} + 1)$$

$$\Rightarrow f r_{gs} = K \cdot f s_{gs} (1 + P_{UL}) \cdot (1 + P_{DL})$$

and therefore the sky frequency is

$$f r_{gs} = K \cdot f s_{gs} (1 + P_{UL} + P_{DL} + P_{UL} \cdot P_{DL})$$

## APPENDIX B

### Computation of the plasma correction using the differential doppler

The differential doppler is computed via

$$\delta f = f_{S,antenna}|_{tropo\_corrected} - \frac{3}{11} f_{X,antenna}|_{tropo\_corrected} \quad (1.12)$$

or

$$\delta f = -\frac{1}{2c} \frac{1}{4\pi^2} \frac{e^2}{m_e \epsilon_0} \left\{ \frac{1}{f_S^2} - \frac{1}{f_X^2} \right\} f_S \frac{dl}{dt} \quad (1.13)$$

therefore the temporal change in electron content is

$$\frac{dl}{dt} = -\left\{ \frac{1}{2c} \frac{1}{4\pi^2} \frac{e^2}{m_e \epsilon_0} \right\}^{-1} \frac{\delta f}{f_S} \left\{ \frac{1}{f_S^2} - \frac{1}{f_X^2} \right\}^{-1} \quad (1.14)$$

the plasma correction for S-Band is

$$f_{S,antenna,cal} = f_{S,antenna}|_{tropo\_corrected} + \frac{1}{2c} \frac{1}{4\pi^2} \frac{e^2}{m_e \epsilon_0} \frac{1}{f_S} \frac{dl}{dt} \quad (1.15)$$

and for X-Band

$$f_{X,antenna,cal} = f_{X,antenna}|_{tropo\_corrected} + \frac{1}{2c} \frac{1}{4\pi^2} \frac{e^2}{m_e \epsilon_0} \frac{1}{f_X} \frac{dl}{dt} \quad (1.16)$$

If equation (1.14) is inserted into (1.15)

$$f_{S,antenna,cal} = f_{S,antenna}|_{tropo\_corrected} + \frac{1}{2c} \frac{1}{4\pi^2} \frac{e^2}{m_e \epsilon_0} \frac{1}{f_S} \left( -\left\{ \frac{1}{2c} \frac{1}{4\pi^2} \frac{e^2}{m_e \epsilon_0} \right\}^{-1} \frac{\delta f}{f_S} \left\{ \frac{1}{f_S^2} - \frac{1}{f_X^2} \right\}^{-1} \right)$$

$$\Rightarrow f_{S,antenna,cal} = f_{S,antenna}|_{tropo\_corrected} - \delta f \left\{ \frac{f_S^2}{f_S^2} - \frac{f_S^2}{f_X^2} \right\}^{-1}$$

and with the general relations

$$f_X = \frac{11}{3} f_S \Leftrightarrow \frac{f_X}{f_S} = \frac{11}{3} \Leftrightarrow \frac{f_S}{f_X} = \frac{3}{11} \quad (1.17)$$

follows than

$$f_{S,antenna,cal} = f_{S,antenna}|_{tropo\_corrected} - \delta f \left\{ 1 - \frac{9}{121} \right\}^{-1}.$$

Therefore equation (1.15) can be written as

$$f_{S,antenna,cal} = f_{S,antenna}|_{tropo\_corrected} - \delta f \frac{121}{112} \quad (1.18).$$

A similar computation can be done for equation (1.16).

$$\Rightarrow f_{X,antenna,cal} = f_{X,antenna}|_{tropo\_corrected} - \delta f \left\{ \frac{f_X f_S}{f_S^2} - \frac{f_X f_S}{f_X^2} \right\}^{-1}$$

Using equation (1.17)

$$\Rightarrow f_{X,antenna,cal} = f_{X,antenna}|_{tropo\_corrected} - \delta f \left\{ \frac{11}{3} - \frac{3}{11} \right\}^{-1},$$

therefore equation (1.16) can be written as

$$f_{X,antenna,cal} = f_{X,antenna}|_{tropo\_corrected} - \delta f \frac{33}{112} \quad (1.19)$$