

**HERSCHEL / PLANCK****Packet Structure Interface Control Document
(PSICD)****SCI-PT-ICD-7527****Product Code : 000 000**

Rédigé par/ Written by	Responsabilité-Service-Société Responsibility-Office -Company	Date	Signature
François Sauvage	Command/Control Manager	07/11/03	
Vérifié par/ Verified by			
Patrice Couzin	Avionics Manager	13/11/03	
Approbation/ Approved			
Jean-Jacques Juillet	Alcatel Space H/P Project Manager	12-11-03	
Thomas Passvogel	ESA H/P Project Manager	14/11/03	

Data management : Christiane GIACOMETTI

Entité Emettrice : Alcatel Space - Cannes
(détentrice de l'original) :

PACKET STRUCTURE INTERFACE CONTROL DOCUMENT (PSICD)

REFERENCE : SCI-PT-ICD-07527

DATE : 07-Nov-2003

ISSUE : 4.0

PAGE : 2/150

DISTRIBUTION / DISTRIBUTION RECORD

EXTERNAL DISTRIBUTION	For Information For Application For Approbation For Action For Acceptation	INTERNAL DISTRIBUTION	
ESA P.Estaria (SCI-PT) G.Crone (SCI-PT) A.Heske (SCI-PT) C.Jewell (SCI-PT) J.Marti-Canales (SCI-PT) P.Olivier (SCI-PT) A.Elfving (SCI-PT) B.Jackson (SCI-PT) Th.Passvogel (SCI-PT) I.Rasmussen (SCI-PT) S.Thuerey (SCI-PT) O.Piersanti (SCI-PT) F.Wechsler (SCI-PT) J.L.Gerner (TOS-ETT) G.Pilbratt (SCI-SA) J.Tauber (SCI-SA) J.Dodsworth (TOS-OFC) M.Schmidt (TOS-OGH) A.Head (TOS-ONV)	For Approbation	HP team JJ.Juillet (H/P Project Manager) P.Couzin (Avionics Manager) F.Sauvage (Command/Control Manager) G.P.Dragan (Software) B.Collaudin (Instruments Manager) F.Chatte (Mission & Operations) J.Y.Charnier (Planck AIT Manager) S.Langlois (SVF Procurement) Ch Documentation Ch.Giacometti	X
HIFI Team Th. de Graauw (SRON, Groningen) C.K.Wafelbakker (SRON, Utrecht) H.J.M.Aarts (SRON, Utrecht)	For Application		
PACS Team A.Poglich (MPE, Garching) O.Bauer (MPE, Garching)	For Application		
SPIRE Team M.Griffin (Univ. of Cardiff) E.Sawyer (RAL, Oxfordshire)	For Application		Orig.

PACKET STRUCTURE INTERFACE CONTROL DOCUMENT (PSICD)

REFERENCE : SCI-PT-ICD-07527

DATE : 07-Nov-2003

ISSUE : 4.0

PAGE : 3/150

EXTERNAL DISTRIBUTION	For Information For Application For Approbation For Action For Acceptation	INTERNAL DISTRIBUTION	
HFI Team J.L.Puget (IAS, Orsay) J.Charra (IAS, Orsay)	For Application		
LFI Team N.Mandolesi (TeSRE-CNR, Bologna) C.Butler (TeSRE-CNR, Bologna) R.Orfei (CNR-IFSI, Roma) J.Herreros (IAC, Tenerife)	For Application		
ALENIA SPAZIO P.Musi (Torino) E.Ciancetta (Torino) C.Cassi (Torino) F.Rame (Torino)	For Application		
ASTRIUM W.Ruehe (Friedrichshafen) A.Knoblauch (Friedrichshafen)	For Application		

PACKET STRUCTURE INTERFACE CONTROL DOCUMENT (PSICD)

REFERENCE : SCI-PT-ICD-07527

DATE : 07-Nov-2003

ISSUE : 4.0

PAGE : 4/150

ENREGISTREMENT DES EVOLUTIONS / *CHANGE RECORD*

Date	Issue No.	Rev. No.	Pages Affected	Description/Authority	CR No.
1-9-2000	1	0	All	New Issue	---
12-7-2001	2	0	All	Update after review (instruments, ESA, industry) at start of phase B, and CCB decision, 4-7-2001.	
12-11-2002	3	Draft 2	Various	Update after PDR, in line with fax SCI-PT-14776, Fax SCI-PT-15976, SCI-PT-15977. Introduction of requirement-identifiers	
2-04-2003	3	0	Para. 1.4	RD 4, RD 5 and RD 6 added	
			Table 2-1 :	Applicability and optional services for RTs and ACMS explicitly indicated	
			Para.3.1.1.2.2 :	Source Identifier definition extended	
			Para.3.1.1.3 :	MTL-Telecommands : encapsulated TC-packet useable maximum size is 228 octets. (removal of TBC)	
			Para 4.1 :	TM-packets undergo a standard-check before their data are used	
			Para. 5.1.2.1	Error codes and parameters, layout of parameter-field : minimum of 4 octets Deleted limitation to 64 octets	
			Para. 5.1.2.4 :	Parameters allowed for TC(1,7)	
			Para. 5.1.2.6 :	Generation of Telecommand Contents Reports is mandatory for CDMU, ACC.	
			Para. 5.3.1.1 :	Definition of HK/Diagnostic-Packet Report (3,1) and (3,2) : two fields, Segment ID and Number of parameters added	
Para. 5.5	An Event-Sequence-Counter introduced. Deleted : limitation to 64 octets				

PACKET STRUCTURE INTERFACE CONTROL DOCUMENT (PSICD)

REFERENCE : SCI-PT-ICD-07527

DATE : 07-Nov-2003

ISSUE : 4.0

PAGE : 5/150

Date	Issue No.	Rev. No.	Pages Affected	Description/Authority	CR No.
			Para. 5.6 :	Padding in case of SAU = octet. Clarification on CRC for TC(6,2).	
			Para. 5.8.	Clarifications for execution of 'Start' and 'Activity'. Stop Function (8,2) must be executable.	
			Para. 5.11	a) Concept of Permanent/ Transient Subschedules. b) Subschedule ID added to TC(11,5) c) Statement about error-reporting while inserting/ deleting : deleted. d) TM(1,7)-report in case of successful deletion. e) Definition for Time-Tag-1, and -2 refined f) Summary Schedule Request TC(11,12) and Report TM(11,13) re-introduced. g) MTL status reporting introduced, TC(11,18) and TM(11,19)	
			Para. 5.12	Number of repetitions and Event-ID-1 and -2 introduced for TC(12,5).	
			Para. 5.14	Packet-ID in TC(14,1/2) specified in detail for different Services.	
			Para. 5.15	Percentage Filled/ Downlinked deleted, No. of Packets replaced by No. of Octets in TM(15,13)	
			Para. 5.18 :	a) Two new fields : Segment ID and number of octets within segments added to TC(18,1). b) New :OBCP Dump Request TC(18,14) and OBCP Dump Report TM(18,15). c) TC-packets as part of the OBCP-code carry a Sequence Count and a CRC-field, which must be modified at execution time.	

PACKET STRUCTURE INTERFACE CONTROL DOCUMENT (PSICD)

REFERENCE : SCI-PT-ICD-07527

DATE : 07-Nov-2003

ISSUE : 4.0

PAGE : 6/150

Date	Issue No.	Rev. No.	Pages Affected	Description/Authority	CR No.
			Para. 5.19	a) Event-Action-List marked as requirement 6380-EVNT. b) TC-packets as part of an Action carry a Sequence Count and a CRC-field, which must be modified at execution time.	
			Para. 5.22	Context Saving : service deleted	
			Appendix 3	Essential HK-packets shall get Base-APID + 0 and highest priority, normal HK-packets retain their 'Base-APID + 2'	
			Appendix 5.2	Private TC defined.	
			Appendix 6	a) Changed : PTC and PFC 8bits instead of 4 b) Added : Enumerated, 32 bits c) Change (PTC,PFC)=(5,2) to (5,3), (5,2) : unused d) Added : Variable Bitstring, Variable Octet String	
			Appendix 8	Sequence Counter : always 0000hex	
			Appendix 9	Para. 1.3 : RD 5, RD 6, RD 7 added Requ. 3242-DLL for more clarity on SA-use for non-intelligent RTs Requ. 4080-TFL : deleted, obsolete. Requ. 4170-TFL with more details on timing. Clarified requirement 4345-TFL : The RT shall copy the Time Message to SA 8T Para. 4.5.1 : Clarifications on TC-handshake : word-count=00000b means : 32 words	

PACKET STRUCTURE INTERFACE CONTROL DOCUMENT (PSICD)

REFERENCE : SCI-PT-ICD-07527

DATE : 07-Nov-2003

ISSUE : 4.0

PAGE : 7/150

Date	Issue No.	Rev. No.	Pages Affected	Description/Authority	CR No.
			Appendix 9	Para's 4.5.2 and 4.6.2 : a) not applicable for instruments. b) Change of names : "High-Priority TM/TC-Messages" Para. 4.6.1.1 : Clarification : 'Flow Control'-bits to be changed according to status. 4610-TFL modified to reflect one retry Para. 4.6.1.3 : Several clarifications for Normal Data Bus Mode : one retry if the BC detects a transmission error, etc.	
			Appendix 9	Para. 4.6.1.3 : Several clarifications for Burst DB Mode : TM-transfer may happen each subsequent Subframe, no retry, a RT can send interleaved other packets, details on timing. Para 4.7 Transfer Layer FDIR : BC required to generate error reports to higher protocol layers, etc. Details to be included in specific reference documents	
25-07-2003	4	Draft 0		This issue is the first one after hand-over of document to Alcatel Space. For this issue the modification have been restricted to those defined in the frame of BSW consolidation plan.	
			Para. 5.3	Clarification added for re-definition of an Housekeeping / Diagnostic TM packet : Packet generation disabled during re-definition, APID not modified.	

PACKET STRUCTURE INTERFACE CONTROL DOCUMENT (PSICD)

REFERENCE : SCI-PT-ICD-07527

DATE : 07-Nov-2003

ISSUE : 4.0

PAGE : 8/150

Date	Issue No.	Rev. No.	Pages Affected	Description/Authority	CR No.
			Para. 5.3.1.1	<5200-PERP> ; <5210-PERP> modif. Segment Identifiers for TC(3,1) TC(3,2) shall be consecutive. 0xFF Segment Identifier required also for single TC re-definition.	
				<5200-PERP> ; <5210-PERP> modif. Definition of Application Data Field for periodic reporting of RAM cells content.	
				<5230-PERP> modif. Time-out suppressed for re- definition of an Housekeeping / Diagnostic TM packet	
			Para. 5.3.1.2	<5261-PERP> added TC(3,3) and TC(3,4) disable Packet generation.	
			Para. 5.3.2.1	<5300-PERP> ; <5310-PERP> modif. Definition of Application Data Field for periodic reporting of RAM cells content.	
			Para. 5.3	Combination of Memory ID and Start Address allowed for definition of a memory location.	
			Para. 5.6.1.6 Added	<5455-MM> added TC(6,5) added to abort current memory dump.	
			Para. 5.14	Scope of service 14 to CDMS extended to control the Real Time down-linking and/or SSMM storage : TC(14,5).	
				Packet generation disabled during re-definition,	
				<5911-PTXC> ; <5310-PTXC> added Autonomous use Real Time down- linking and/or SSMM storage control capability.	

PACKET STRUCTURE INTERFACE CONTROL DOCUMENT (PSICD)

REFERENCE : SCI-PT-ICD-07527

DATE : 07-Nov-2003

ISSUE : 4.0

PAGE : 9/150

Date	Issue No.	Rev. No.	Pages Affected	Description/Authority	CR No.
			Para. 5.14.1.2	<5941-PTXC> added Scope of TC(14,3) to CDMS extended to require Real Time down-linking and/or SSMM storage status.	
			Para. 5.14.1.3 Added	<5945-PTXC> ; <5946-PTXC> ; <5947-PTXC> added TC(14,5) to CDMS added for Real Time down-linking and/or SSMM storage controlling.	
			Para. 5.14.2.1	<5950-PTXC> modified <5951-PTXC> added Common TM(14,4) format TBC.	
			Appendix 2	TC(6,11) and TC(14,5) added.	
			Appendix 9 Para. 3.1.1	3010-DLL modified Repetition of message authorised.	
			Appendix 9 Para. 4.2 Para. 4.4	Not part of BSW consolidation plan 4270-TFL, Figure4.4-1 modified Subframe Count (and Reserved bits) field length modified for "Broadcast Mode Command Synchronize with Data Word".	
			Appendix 9 Para. 4.5.2	4440-TFL ; 4445-TFL ; 4450-TFL ; 4455-TFL ; 4460-TFL ; 4465-TFL ; 4470-TFL ; 4475-TFL- T deleted High-Priority TC Messages Not used	
			Appendix 9 Para. 4.6.2	4800-TFL ; 4805-TFL ; 4810-TFL ; 4815-TFL ; 4820-TFL ; 4830-TFL ; 4835-TFL ; 4840-TFL ; 4845-TFL ; 4850-TFL ; 4855-TFL ; 4860-TFL ; 4865-TFLdeleted High-Priority TM Messages Not used	

PACKET STRUCTURE INTERFACE CONTROL DOCUMENT (PSICD)

REFERENCE : SCI-PT-ICD-07527

DATE : 07-Nov-2003

ISSUE : 4.0

PAGE : 10/150

Date	Issue No.	Rev. No.	Pages Affected	Description/Authority	CR No.
04-11-2003	4	Draft 1		This issue reflects the updates defined during several teleconferences involving the European Space Agency, Alcatel Space and Alenia Spazio, held following the 11/09/03 PS-ICD review (see H-P-ASP-MN-3627). Agreement about update included in the present issue have been collected in dedicated file : "PSICD4 d0_comments-fs11.doc"	
			Para. 1.1	Modification of scope to reflect that in addition to a requirement document PS-ICD becomes the document defining the actual building block for spacecraft operation. <1000-GEN> modified All TM/TC –Packet Type/ Subtype introduced in PS-ICD.	
			Para. 1.4	Introduction of SVM Interface Specification as reference document.	
			Para. 2	<2000-PACK> clarified Table 2-1 modified to clarify Packet Services supported by Herschel/Planck on-board subsystems and instruments.	
			Para. 3.1.1.1.3 Para. 3.1.1.2.2	<3000-TC> clarified Clarification of Data Field Header flag for "Standard Distribute CPDU command". Source part value confirmed for TC from ACC FDIR, CDMU Routine, ACC Routine.	
			Para. 3.1.2.1	<3010-TC> modified Bit 3 of Ack field not mandatory. Spare field for 16-bit alignment.	
			Para. 4.1.2.1	<4010-TM> modified Spare field for 16-bit alignment.	

PACKET STRUCTURE INTERFACE CONTROL DOCUMENT (PSICD)

REFERENCE : SCI-PT-ICD-07527

DATE : 07-Nov-2003

ISSUE : 4.0

PAGE : 11/150

Date	Issue No.	Rev. No.	Pages Affected	Description/Authority	CR No.
			Para. 5.1.2.1	<5070-TCV> modified Parameter field submitted to ESA/ASP approval.	
			Para. 5.2.1.1	<5130-DCV> modified N field not optional. Maximal number of pulse command set to 8.	
			Para. 5.2.1.2	<5140-DCV> modified N field not optional. Data field length defined. Maximal number of register load command set to 8.	
			Para. 5.2.1.3	<5150-DCV> modified Duration field split. Duration unit defined to 13 ms. Para. 5.2.1.3.1 added for Standard Distribute CPDU command. Para. 5.2.1.3.2 added for Mission specific Distribute CPDU command. <5155-DCV> added Maximal number of CPDU command set to 8 for Mission specific Distribute CPDU command.	
			Para. 5.3	<5160-PERP> modified Rectification of RD for Essential HK rule definition.	
			Para. 5.3.1.1	<5210-PERP> modified Definition of HK/DGN packet with one single TC(3,1) or TC(3,2).	
			Para. 5.3.2.1	<5310-PERP> modified Reporting of HK/DGN packet definition with one single TC(3,10) or TC(3,12). Segment 255 to flag HK/DGN packet definition report completion.	

PACKET STRUCTURE INTERFACE CONTROL DOCUMENT (PSICD)

REFERENCE : SCI-PT-ICD-07527

DATE : 07-Nov-2003

ISSUE : 4.0

PAGE : 12/150

Date	Issue No.	Rev. No.	Pages Affected	Description/Authority	CR No.
			Para. 5.5.2	Addition of comment for limitation of normal progress reporting. Addition of comment for limitation of Event parameter B field length.	
			Para. 5.5.2	Addition of design goal for definition of packet layout without reference to SID.	
			Para. 5.6.1.2	Addition of comment for clarification of checksum area (unpadded one) in TC(6,2).	
			Para. 6.6.1.6	<5455-MM> clarified ST, SST added for Abort current memory dump TC(6,11).	
			Para. 5.8.1.1	Addition of design goal for definition of packet layout without reference to SID.	
			Para. 5.8.1.4	Addition of design goal for definition of packet layout without reference to SID.	
			Para. 5.8.2.1	Addition of design goal for definition of packet layout without reference to SID.	
			Para. 5.9.1.6	Addition of comment for clarification of re-synchronisation procedure (rare operation).	
			Para. 5.11	<5575-OBTM> ; <5577-OBTM> modified Limitation of subschedule number to 4095.	
			Para. 5.11.1.1	<5590-MTL> modified Modification of TC(11,1) and TC(11,2) for independent setting of APID/subschedule release status.	
			Para. 5.11.1.4.1	<5640-MTL> ; <5650-MTL> modified Introduction of Time-tag in TC(11,5) data field. Clarification about TC sequence to be deleted.	

PACKET STRUCTURE INTERFACE CONTROL DOCUMENT (PSICD)

REFERENCE : SCI-PT-ICD-07527

DATE : 07-Nov-2003

ISSUE : 4.0

PAGE : 13/150

Date	Issue No.	Rev. No.	Pages Affected	Description/Authority	CR No.
			Para. 5.11.1.5.1	<5675-MTL> modified ; <5677-MTL> added ; Modification of TC(11,9) for specification of subschedules for which status shall be reported.	
			Para. 5.11.1.5.1 ; 5.11.1.6.1 ; 5.11.1.6.2 ; 5.11.1.7.	<5680-MTL> ; <5690-MTL> ; <5700-MTL> ; <5702-MTL> clarified Specified APID/subschedule shall be reported.	
			Para. 5.11.2.1	<5725-MTL> added Addition of requirement for ordering of MTL contents reporting.	
			Para. 5.11.2.2	<5730-MTL> modified Introduction of Time-tag in TM(11,13) data field.	
			Para. 5.11.2.2	<5731-MTL> added Addition of requirement for ordering of MTL contents reporting.	
			Para. 5.11.2.3	<5732-MTL> modified Modification of TM(11,19) for independent reporting of APID/subschedule release status. Comment added for clarification.	
			Para. 5.12	<5780-OBMF> modified Contents of monitoring events defined.	
			Para. 5.12.1.1	<5830-OBMF> rectified Recovery TC defined in by Event/Action Service. Condition for TC(12,1) ; TC(12,2) rejection.	

PACKET STRUCTURE INTERFACE CONTROL DOCUMENT (PSICD)

REFERENCE : SCI-PT-ICD-07527

DATE : 07-Nov-2003

ISSUE : 4.0

PAGE : 14/150

Date	Issue No.	Rev. No.	Pages Affected	Description/Authority	CR No.
			Para. 5.12.1.3	<5850-OBMF> modified Recovery TC defined in by Event/Action Service. Addition of Check-Mask in TC(12,5). Addition of Checking-IDs. Clarification of IN_RANGE / OUT_OF_RANGE checking status.	
			Para. 5.12.1.3	<5856-OBMF> added Addition of range for Event-IDs.	
			Para. 5.12.1.4	<5860-OBMF> redified Monitoring-ID to be removed. Recovery TC defined in by Event/Action Service. Condition for TC(12,6) rejection.	
			Para. 5.12.3	Para 5.12.3 added. <5886-OBMF> ; <5887-OBMF> ; <5888- OBMF> added Contents of monitoring events defined.	
			Para. 5.14.1.2	<5941-PTXC> deleted Specific TM(14,7) defined for Real Time down-linking and SSMM storage status reporting.	
			Para. 5.14.1.3	<5945-PTXC> modified Raw value defined for Real Time down-linking and SSMM storage status.	
			Para. 5.14.1.3	<5946-PTXC> deleted Detailed handling of TC(14,5) definition left at lower level.	
			Para. 5.14.1.4	Para 5.14.1.4 added. <5948-PTXC> added Specific TC(14,6) defined for Real Time down-linking and SSMM storage status reporting request.	

PACKET STRUCTURE INTERFACE CONTROL DOCUMENT (PSICD)

REFERENCE : SCI-PT-ICD-07527

DATE : 07-Nov-2003

ISSUE : 4.0

PAGE : 15/150

Date	Issue No.	Rev. No.	Pages Affected	Description/Authority	CR No.
			Para. 5.14.2.1	<5951-PTXC> deleted Specific TM(14,7) defined for Real Time down-linking and SSMM storage status reporting.	
			Para. 5.14.2.2	Para 5.14.2.2 added. <5948-PTXC> added Specific TM(14,7) defined for Real Time down-linking and SSMM storage status reporting.	
			Para. 5.15	Addition of a comment stating that VC and Store type are defined at packet Store allocation time.	
			Para. 5.15	<5965-OBSR> rectified TM packet not available if specifically disabled.	
			Para. 5.15.1.1	<5980-OBSR> modified Store type replaced by spare field in TC(15,1) and TC(15,2).	
			Para. 5.15.1.2	<6000-OBSR> modified Store type replaced by spare field in TC(15,3) and TC(15,4).	
			Para. 5.15.2.1	<6080-OBSR> modified Store type and Virtual Channel reported in TM(15,6). Addition of a comment stating that VC and Store type are defined at packet Store allocation time.	
			Para. 5.17.2	<6120-FTS> deleted Requirement about TC Verification Failure reporting replaced by a comment.	
			Para. 5.18	<6135-CPM> rectified OBCP Sequence Count incremented at TC release time. TC reporting requirement replaced by a comment.	

PACKET STRUCTURE INTERFACE CONTROL DOCUMENT (PSICD)

REFERENCE : SCI-PT-ICD-07527

DATE : 07-Nov-2003

ISSUE : 4.0

PAGE : 16/150

Date	Issue No.	Rev. No.	Pages Affected	Description/Authority	CR No.
			Para. 5.18.1.1	<6150-CPM> modified Segment-ID incremented one by one from 1 to K.	
			Para. 5.18.1.3	<6170-CPM> modified Parameter-ID replaced by OBCP-PID. TC(18,3) data field split into 32-bit and 64-bit long parameter areas.	
			Para. 5.18.1.7	<6230-CPM> modified Parameter-ID replaced by OBCP-PID. TC(18,7) data field split into 32-bit and 64-bit long parameter areas.	
			Para. 5.18.2.3	<6300-CPM> modified Parameter-ID replaced by OBCP-PID. TM(18,13) parameter field become optional.	
			Para. 5.18.2.4	<6310-CPM> modified Sequence-ID replaced by Segment-ID. Segment 255 to flag OBCP code reporting completion.	
			Para. 5.19	<6410-EVNT> rectified MTL Sequence Count incremented at TC release time. TC reporting requirement replaced by a comment.	
			Para. 5.19	<6415-EVNT> added MTL TC sequence count reporting identical to the loaded one.	
			Para. 5.19.1.1	<6420-EVNT> modified Indication about maximal size of Action-TC in TC(19,1).	
			Para. 5.20	<6500-INFO> ; <6510-INFO> ; <6515-INFO> ; <6520-INFO> ; <6530-INFO> ; <6540-INFO> deleted Service 20 not used.	

PACKET STRUCTURE INTERFACE CONTROL DOCUMENT (PSICD)

REFERENCE : SCI-PT-ICD-07527

DATE : 07-Nov-2003

ISSUE : 4.0

PAGE : 17/150

Date	Issue No.	Rev. No.	Pages Affected	Description/Authority	CR No.
			Appendix 2	<1100-A2> deleted Table A-2.1 expanded to include packets Type and Subtype and to reflect OBSW implementation.	
			Appendix 2 Table A-2.1	TC(2,3) split into Standard and Mission specific Distribute CPDU command lines. TC(3,25) split into Essential and Non-essential HK parameter report lines. Addition of TM(8,7) ; TM(8,8) and TM(8,9) Mission specific packets. Addition of TC(14,6) and TM(14,7) Mission specific packets.	
			Appendix 3 Table A-3.1	<1140-A3> modified Table split into TC and TM packet columns. APID removed for OBCP ; System ; EPS ; TCS ; TT&C end users. APID+2 allocation clarified for Diagnostic and Non-essential HK parameter reports.	
			Appendix 3 Table A-3.3	<1180-A3> modified Table expanded to include all TM packets Type and Subtype and Virtual Channel allocation.	
			Appendix 6 Para. A6.2 Para. A6.3.9	Para. A6.3.9 added. Addition of PTC=11 : Deduced parameter type.	
			Appendix 9 Para. 1.3	RD7 modified CDMU FDIR spec replaced by SOFDIR.	
			Appendix 9 Para. 3.1.4	3085-DLL-R,T modified TBC removed for No response Time out duration.	

PACKET STRUCTURE INTERFACE CONTROL DOCUMENT (PSICD)

REFERENCE : SCI-PT-ICD-07527

DATE : 07-Nov-2003

ISSUE : 4.0

PAGE : 18/150

Date	Issue No.	Rev. No.	Pages Affected	Description/Authority	CR No.
			Appendix 9 Para. 3.2.3	3140-DLL-D modified Table 3.2.3-1 modified. High-Priority message SA not used. TBC removed for Internal Time on SA8T.	
			Appendix 9 Para. 3.2.3.3	3160-DLL-T ; 3161-DLL-T ; 3165-DLL-T ; 3170-DLL-T deleted High-Priority message not used.	
			Appendix 9 Para. 3.5.1	3285-DLL- defined TBD removed : Reference to SOFDIR and IID-A for DLL FDIR.	
			Appendix 9 Para. 3.5.2.1	Reference to SOFDIR and IID-A for MIL FDIR.	
			Appendix 9 Para. 3.5.2.4	3375-DLL-T ; 3380-DLL-T modified Reference to SOFDIR and IID-A for bus FDIR.	
			Appendix 9 Para. 3.5.2.5	3395-DLL-R,T modified Reference to SOFDIR and IID-A for bus FDIR.	
			Appendix 9 Para. 4.1.3.1	4165-TFL-R,T modified Rectification of regulation slot duration, High-Priority message not used.	
			Appendix 9 Para. 4.1.4.1	4225-TFL-T deleted Event message SA not used.	
			Appendix 9 Para. 4.2	4275-TFL-T clarified RTA included in SA11T to SA26T used for TM data sent.	
			Appendix 9 Para. 4.4	4365-TFL-T clarified SA1R available for low level commanding.	
			Appendix 9 Para. 4.4	Figure 4.4-1 modified 4375-TFL-T modified ; 4392-TFL-R,T ; 4393-TFL-R,T ; 4394-TFL-R,T added Specification of SA1T 3 rd and 4 th data words according to SOFDIR.	

PACKET STRUCTURE INTERFACE CONTROL DOCUMENT (PSICD)

REFERENCE : SCI-PT-ICD-07527

DATE : 07-Nov-2003

ISSUE : 4.0

PAGE : 19/150

Date	Issue No.	Rev. No.	Pages Affected	Description/Authority	CR No.
			Appendix 9 Para. 4.5.1	4435-TFL-N modified Reference to SOFDIR and IID-A for bus FDIR.	
			Appendix 9 Para. 4.6.1.1	Table 4.6.1.1-1 modified 4525-TFL-T ; 4530-TFL-T ; 4535-TFL-T ; 4540-TFL-T deleted Event message not used.	
			Appendix 9 Para. 4.6.1.2	4670-TFL-D deleted High-Priority message not used.	
			Appendix 9 Para. 4.6.1.2	4675-TFL-N modified Reference to SOFDIR and IID-A for bus FDIR.	
			Appendix 9 Para. 4.6.2.	Figure 4.6.2-1 deleted Event message not used.	

Issue	Date	Change Record	Author
4.0	07-Nov-2003	<p>Formal release generated by DOORS 5.2 / TREK 3. No modification in the text since issue 4 draft1. Only styles are modified. Legendes of tables and figures are systematically put below table or figure.</p> <p>Exceptions:</p> <p>Requirement <5261-PERP> : Typo correction TC(14,2) replaces TC(14,1).</p> <p>Requirement <5180-PERP> : Remove of "No additional use of Service 14 (Packet Transmission Control) shall be necessary for this purpose, nor shall it be necessary to re-define Housekeeping Packets under foreseeable mission conditions". Actually in case of spacecraft mode transition (eg to Survival mode) it is foreseen to use (as defined during BSW consolidation plan) service 14 autonomously for disabling the down-linking of some packets.</p> <p>Change bars removed.</p> <p>The requirements deleted in this issue or before will not be displayed in the core of the next issues. They are therefore listed hereafter and displayed in the core of this issue.</p>	F.Sauvage I.Bénilan

§ nb	Req. identifier	Change Status	Doc. issue	Reason of Change	Change Ref.
§5.8.1.1	[5510-FNM]	Deleted in	4.0 or before		
§5.14.1.2	[5941-PTXC]	Deleted in	4.0 or before		
§5.14.1.3	[5946-PTXC]	Deleted in	4.0 or before		

PACKET STRUCTURE INTERFACE CONTROL DOCUMENT (PSICD)

REFERENCE : SCI-PT-ICD-07527

DATE : 07-Nov-2003

ISSUE : 4.0

PAGE : 20/150

§ nb	Req. identifier	Change Status	Doc. issue	Reason of Change	Change Ref.
§5.14.2.1	[5951-PTXC]	Deleted in	4.0 or before		
§5.17.2	[6120-FTS]	Deleted in	4.0 or before		
§5.20.1.1	[6500-INFO]	Deleted in	4.0 or before		
§5.20.1.1	[6510-INFO]	Deleted in	4.0 or before		
§5.20.1.1	[6515-INFO]	Deleted in	4.0 or before		
§5.20.1.2	[6520-INFO]	Deleted in	4.0 or before		
§5.20.1.3	[6530-INFO]	Deleted in	4.0 or before		
§5.20.2	[6540-INFO]	Deleted in	4.0 or before		
§7	[1100-A2]	Deleted in	4.0 or before		

TABLE OF CONTENTS

DISTRIBUTION / <i>DISTRIBUTION RECORD</i>	2
ENREGISTREMENT DES EVOLUTIONS / <i>CHANGE RECORD</i>	4
TABLE OF CONTENTS	21
LIST OF FIGURES AND TABLES	25
1. INTRODUCTION AND SCOPE	26
1.1 SCOPE	26
1.2 OPERATIONS SCENARIO.....	26
1.2.1 Nominal Mission Operations	26
1.2.2 Contingency Operations	27
1.2.3 Packet Distribution	28
1.3 APPLICABLE DOCUMENTS.....	28
1.4 REFERENCE DOCUMENTS	29
2. PACKET SERVICES	30
3. TELECOMMAND STRUCTURE	31
3.1 TELECOMMAND SOURCE PACKETS	31
4. TELEMETRY STRUCTURE	35
4.1 TELEMETRY SOURCE PACKET	35
4.2 TELEMETRY PACKET VERIFICATION	38
4.2.1 TM-Packet Errors	38
4.2.2 TM-Packet Error Reporting	38
5. PACKET DATA FIELD STRUCTURES	39
5.1 SERVICE TYPE 1 : TELECOMMAND VERIFICATION SERVICE	39
5.1.1 Telecommand Packet Data Field Structure :.....	39
5.1.2 Telemetry Packet Data Field Structure :.....	39
5.1.2.1 Telecommand Acceptance	39
5.1.2.2 Telecommand Execution Started :.....	41
5.1.2.3 Telecommand Execution Progress :	41
5.1.2.4 Telecommand Execution Completed.....	42
5.1.2.5 Telecommand Execution Failure	42
5.1.2.6 Telecommand Contents Report	43
5.2 SERVICE TYPE 2 : DEVICE COMMAND DISTRIBUTION	43
5.2.1 Telecommand Packet Data Field Structure :.....	43
5.2.1.1 Distributing Pulse Commands	43
5.2.1.2 Distributing Register Load Commands.....	44
5.2.1.3 Distributing CPDU commands.....	44
5.2.2 Telemetry Packet Data Field Structure :.....	45
5.3 SERVICE TYPE 3 : HOUSEKEEPING & DIAGNOSTIC DATA REPORTING	45
5.3.1 Telecommand Packet Data Field Structure :.....	46
5.3.1.1 Defining new housekeeping or diagnostic parameter reports.....	46
5.3.1.2 Clearing housekeeping or diagnostic parameter report definitions.....	48

PACKET STRUCTURE INTERFACE CONTROL DOCUMENT (PSICD)

REFERENCE : SCI-PT-ICD-07527

DATE : 07-Nov-2003

ISSUE : 4.0

PAGE : 22/150

5.3.1.3	Reporting housekeeping or diagnostic parameter report definitions	49
5.3.2	Telemetry Packet Data Field Structure :	50
5.3.2.1	Reporting of Housekeeping or Diagnostic TM Packet Definitions	50
5.3.2.2	Reporting Housekeeping or Diagnostic Data	51
5.4	SERVICE TYPE 4 : NOT USED	52
5.5	SERVICE TYPE 5 : EVENT REPORTING	52
5.5.1	Telecommand Packet Data Field Structure :	52
5.5.2	Telemetry Packet Data Field Structure :	52
5.6	SERVICE TYPE 6 : MEMORY MANAGEMENT	53
5.6.1	Telecommand Packet Data Field Structure :	54
5.6.1.1	Loading data in memory using base plus offsets : not used	54
5.6.1.2	Loading data in memory using absolute addresses	54
5.6.1.3	Dumping memory using base plus offsets : not used	55
5.6.1.4	Dumping memory using absolute addresses	55
5.6.1.5	Checking memory using absolute addresses	56
5.6.1.6	Aborting a Memory dump	56
5.6.2	Telemetry Packet Data Field Structure :	57
5.7	SERVICE TYPE 7 : NOT USED	58
5.8	SERVICE TYPE 8 : FUNCTION MANAGEMENT	58
5.8.1	Telecommand Packet Data Field Structure :	59
5.8.1.1	Starting a Function	59
5.8.1.2	Stopping a Function	60
5.8.1.3	Not used	60
5.8.1.4	Performing an activity of a function	60
5.8.1.5	Reporting Function Status and Parameters	62
5.8.2	Telemetry Packet Data Field Structure :	62
5.8.2.1	Function Status Report	62
5.9	SERVICE TYPE 9 : TIME MANAGEMENT	63
5.9.1	Telecommand Packet Data Field Structure :	64
5.9.1.1	TC (9,3) : Synchronise User	64
5.9.1.2	TC (9,4) : Enable Time Synchronisation	64
5.9.1.3	TC (9,5) : Time Code	65
5.9.1.4	TC (9,6) : Verify User Time	65
5.9.1.5	TC (9,7) : Enable Time Verification	65
5.9.1.6	TC (9,10) : Synchronise Central Time Reference	66
5.9.2	Telemetry Packet Data Field Structure : Onboard Time Management Reports	66
5.9.2.1	TM (9,8) : Central Time Reference	66
5.9.2.2	TM (9,9) : Time Verification Report	67
5.10	SERVICE TYPE 10 : NOT USED	67
5.11	SERVICE TYPE 11 : ON-BOARD SCHEDULING	67
5.11.1	Telecommand Packet Data Field Structure :	68
5.11.1.1	Controlling the release of Telecommands	68
5.11.1.2	Resetting the Command Schedule	69
5.11.1.3	Inserting MTL-Telecommands in the Command Schedule	69
5.11.1.4	Deleting Telecommands from the Command Schedule	71
5.11.1.5	Reporting of the Command Schedule contents	73
5.11.1.6	Reporting a Summary of the MTL	74
5.11.1.7	Reporting of the Status of the Command Schedule	75
5.11.2	Telemetry Packet Data Field Structure :	75
5.11.2.1	Detailed Report of the Command Schedule	75
5.11.2.2	Summary Schedule Report (11,13)	76
5.11.2.3	Report of the Status of the Command Schedule	77
5.12	SERVICE TYPE 12 : ON-BOARD MONITORING	78
5.12.1	Telecommand Packet Data Field Structure :	79
5.12.1.1	Controlling the on-board monitoring	79
5.12.1.2	Clearing the monitoring list	80

PACKET STRUCTURE INTERFACE CONTROL DOCUMENT (PSICD)

REFERENCE : SCI-PT-ICD-07527

DATE : 07-Nov-2003

ISSUE : 4.0

PAGE : 23/150

5.12.1.3	Adding Parameters to, and Modifying Parameters of the Monitoring List	81
5.12.1.4	Deleting parameters from the monitoring list	83
5.12.1.5	Request for the current monitoring list contents	84
5.12.2	Telemetry Packet Data Field Structure :	84
5.12.2.1	Reporting the current monitoring list contents.....	84
5.12.3	Monitoring Event packets Data Field Structure.....	85
5.13	SERVICE TYPE 13 : NOT USED.....	86
5.14	SERVICE TYPE 14 : PACKET TRANSMISSION CONTROL	86
5.14.1	Telecommand Packet Data Field Structure :	87
5.14.1.1	Controlling the generation of specified Telemetry Packets.....	87
5.14.1.2	Requesting the list of enabled Telemetry Packets	88
5.14.1.3	Controlling the Real Time down-linking and/or SSMM storage of specified Telemetry Packets	88
5.14.1.4	Requesting the Telemetry Packets Real Time down-linking and SSMM storage status	89
5.14.2	Telemetry Packet Data Field Structure :	90
5.14.2.1	Reporting the list of enabled Telemetry Packets	90
5.14.2.2	Reporting the Telemetry Packets Real Time down-linking and SSMM storage status	91
5.15	SERVICE TYPE 15 : ON-BOARD STORAGE AND RETRIEVAL.....	91
5.15.1	Telecommand Packet Data Field Structure :	92
5.15.1.1	Controlling the storage in specified packet stores	92
5.15.1.2	Modifying the definition of a storage selection criterion	92
5.15.1.3	Reporting a storage selection definition	94
5.15.1.4	Downlinking the contents of a packet store (for a selected packet subset)	94
5.15.1.5	Downlinking the contents of a packet store for a specified time period	96
5.15.1.6	Deleting the contents of specified packet stores up to a specified storage time	97
5.15.1.7	Reporting packet store catalogues	97
5.15.2	Telemetry Packet Data Field Structure :	98
5.15.2.1	Reporting the Storage Selection Definition (15,6)	98
5.15.2.2	Reporting the Packet Store Catalogue, (15,13).....	99
5.16	SERVICE TYPE 16 : ON-BOARD TRAFFIC MANAGEMENT :	100
5.17	SERVICE TYPE 17 : TEST SERVICE	101
5.17.1	Telecommand Packet Data Field Structure :	101
5.17.2	Telemetry Packet Data Field Structure :	101
5.18	SERVICE TYPE 18 : ON-BOARD CONTROL PROCEDURES.....	101
5.18.1	Telecommand Packet Data Field Structure :	102
5.18.1.1	Loading a procedure	102
5.18.1.2	Deleting a procedure.....	103
5.18.1.3	Starting a procedure.....	103
5.18.1.4	Stopping a procedure.....	104
5.18.1.5	Suspend a procedure	105
5.18.1.6	Resume a procedure.....	105
5.18.1.7	Communicate parameters to a procedure	106
5.18.1.8	Requesting the list of on-board operations procedures	107
5.18.1.9	Requesting the list of active on-board operations procedures.....	107
5.18.1.10	Reporting OBCP Status and Parameters	108
5.18.1.11	Requesting the Dumping of an OBCP	108
5.18.2	Telemetry Packet Data Field Structure :	109
5.18.2.1	Reporting the list of on-board control procedures :	109
5.18.2.2	Reporting the list of active on-board control procedures	109
5.18.2.3	OBCP Status Report.....	110
5.18.2.4	Dumping the Copy of a Procedure	111
5.19	SERVICE TYPE 19 : EVENT / ACTION SERVICE	112
5.19.1	Telecommand Packet Data Field Structure :	112
5.19.1.1	Adding events to the detection list	112
5.19.1.2	Deleting events from the detection list.....	113
5.19.1.3	Clearing the event detection list.....	114
5.19.1.4	Controlling the actions associated with events.....	114
5.19.1.5	Reporting the event detection list	115

PACKET STRUCTURE INTERFACE CONTROL DOCUMENT (PSICD)

REFERENCE : SCI-PT-ICD-07527

DATE : 07-Nov-2003

ISSUE : 4.0

PAGE : 24/150

5.19.2	Telemetry Packet Data Field Structure :	115
5.19.2.1	Report of the event detection list.....	115
5.20	SERVICE TYPE 20 : INFORMATION DISTRIBUTION SERVICE	116
5.20.1	Telecommand Packet Data Field Structure :	116
5.20.1.1	Controlling the on-board distribution of Telecommand packets	116
5.20.1.2	Reporting the list of distributed Information TC packets	116
5.20.1.3	Distributing Information Telecommands	116
5.20.2	Telemetry Packet Data Field Structure :	116
5.21	SERVICE TYPE 21 : SCIENCE DATA TRANSFER.....	117
5.21.1	Telecommand Packet Data Field Structure :	117
5.21.2	Telemetry Packet Data Field Structure :	117
5.21.2.1	Reporting Scientific Data.....	117
5.22	SERVICE TYPE 22 : CONTEXT SAVING SERVICE	118
5.22.1	Telecommand Packet Data Field Structure :	118
5.22.2	Telemetry Packet Data Field Structure :	118
APPENDIX 1: CONVENTIONS		119
A1-1	BIT NUMBERING CONVENTIONS	119
A1-2	FIELD ALIGNMENT CONVENTIONS.....	119
A1-3	PACKET NUMBERING CONVENTIONS	119
APPENDIX 2: TM/ TC PACKET TYPES AND SUBTYPES FOR HERSCHEL/ PLANCK.....		121
APPENDIX 3: APPLICATION PROCESS ID ASSIGNMENT		127
APPENDIX 4: THE CHECKSUM ALGORITHMS.....		133
APPENDIX 5: ACRONYMS AND GLOSSARY OF TERMS.....		135
A5-1	ACRONYMS	135
A5-2	GLOSSARY OF TERMS.....	137
APPENDIX 6: PARAMETER TYPES AND STRUCTURES.....		139
A6-1	INTRODUCTION.....	139
A6-2	ENCODING FORMATS OF PARAMETER TYPES	139
A6-3	PARAMETER TYPE DEFINITIONS	140
A6-3.1	Boolean	140
A6-3.2	Enumerated Parameter	140
A6-3.3	Unsigned Integer.....	140
A6-3.4	Signed Integer.....	141
A6-3.5	Real.....	142
A6-3.5.1	PC(5,1) :	142
A6-3.5.2	PC(5,3) :	143
A6-3.6	Bitstring Parameter (PTC = 6).....	143
A6-3.7	Octetstring Parameter (PTC = 7)	144
A6-3.8	Time	144
A6-3.9	Deduced	145
APPENDIX 7: STANDARD SPACECRAFT TIME SOURCE PACKET		146
APPENDIX 8: IDLE PACKET STRUCTURE		148
APPENDIX 9: SATELLITE DATA BUS PROTOCOL SPECIFICATION		150

LIST OF FIGURES AND TABLES

Table 2-1 : Packet Services specified within this document	30
Figure 3.1-1: Telecommand Packet Fields	31
Figure 4.1-1: Telemetry Source Packet Fields	35
Figure A1.1: Bit Numbering	119
Table A-2.1: TM/ TC Packet Types/Subtypes Summary	126
Table A-3.1: Application Process ID Assignment	130
Table A-3.2: Packet Category Assignment	132
Figure A7-1: Standard Spacecraft Time Source Packet Fields.....	146
Figure A8-1: Idle Packet Fields	148

1. INTRODUCTION AND SCOPE

1.1 Scope

The ESA Packet Telemetry and Telecommand Standards ([AD-1] and [AD-2]) address the transport of telemetry and telecommand data between user applications on the ground and user applications on-board of a satellite, and the intermediate transfer of these data through the different elements of the ground and space segments.

The Packet Structure Interface Control Document (PS-ICD) serves to complement and extend the Packet Telemetry and Telecommand Standards by defining all the mission specific details of the **data transfer between ground and on-board applications** (i.e. on-board units, subsystems, and instruments, and their counterparts on ground).

For the **Application Layer Interface** this document describes procedures and **the data structures for Telemetry and Telecommand Packets** to be implemented for support of the operational requirements defined in the Herschel / Planck Operations Interface Requirements Document [AD-3]. Being tailored especially for Herschel / Planck, this document supersedes the Packet Utilisation Standard (PUS) [RD-1].

Additionally to defining functionality and generic operational details of TM/TC Packet Services and the associated layout of Packet Data Fields, the PS-ICD defines the applicability for all on-board users. It also specifies, which parts of Packet Data Fields are generic, and which parts can be defined in a user-specific way. In its function as ICD, the document allocates certain fixed values, like Application Identifiers (APID), to specific users. It also defines certain unique Packet Data Fields, together with their allocated Packet Type/ Subtype value to specific users.

Protocol layers below the Application Layer, which serve for transferring TC- and TM-Packets on a **physical medium between on-board units**, also have to be defined in order to be compliant with general and mission-specific requirements. Therefore, this document specifies in **Appendix 9** a Satellite Data Bus Protocol, which provides the necessary definitions for controlling the on-board data transfer within the **Physical, Data Link Layer and Transfer Layer**.

Reference **1000-GEN**

The Herschel / Planck space and ground segment shall support all and only the data structures and services defined in this document. All TM/TC -Packet Type/ Subtype -combinations shall only be used, together with the associated structure of the Packet Data Field, as specified in this document.

The document is to be agreed between the ESA Herschel / Planck Project Manager, the appointed ESOC representative and the Prime Contractor. Upon approval, the document will be controlled by the Prime Contractor, to whom any updates or changes to any parameters contained in it shall be submitted.

*

1.2 Operations Scenario

1.2.1 Nominal Mission Operations

The mission operations of the Herschel / Planck spacecraft and their payloads will be conducted under control of the Mission Operations Centre (MOC, ground) at the European Space Operations Centre (ESOC). Throughout the complete mission duration (from launch up to the end of mission, when ground contact to the spacecraft/payload is terminated), facilities and services will be provided to the Science Centre for planning and execution of astronomical observations, and provision of the necessary data sets.

PACKET STRUCTURE INTERFACE CONTROL DOCUMENT (PSICD)

REFERENCE : SCI-PT-ICD-07527

DATE : 07-Nov-2003

ISSUE : 4.0

PAGE : 27/150

Interaction with the spacecraft will be by monitoring and analysis of telemetered data and by the uplink of commands to effect the necessary operations. Most **Telecommands will be stored on board** for later execution at a defined time, via the On-board Operation Scheduling Service, **others** may be intended for **immediate execution**. In both cases, it may be necessary to control subsystem and experiment equipment via on-board applications, which may interact with physical interfaces and/or serve for internal data processing.

Function Management Services or **On-Board Control Procedures** (OBCPs) may be used for these purposes. The OBCPs can constitute autonomous on-board control loops, which make use of the exchange of TM/TC Packets, can affect more than one unit, and may be active for a considerable period of time. They shall be kept simple and reduced to the **essential minimum**.

Telemetry and Telecommand services are provided in support of **nominal** management functions, including :

- sampling and processing of periodic housekeeping data,
- direct commanding of hardware interfaces,
- control of, and communication with, on-board functions and on-board control procedures,
- control of the on-board mission time line,
- recording to and retrieving data from an on-board mass memory,
- monitoring of and reacting on asynchronous on-board events.

Reference **1010-GEN**

All Telecommands must be appropriately verified by Telemetry Reports at acceptance. Whereas acknowledge of acceptance shall always be done via an TC Verification TM- Packet, Telecommand execution progress and completion can be reported by (a combination of) TM-Packets and/or periodic housekeeping data, depending on the exact nature of the executed function.

*

Telemetry data will be required in order to verify the execution of all mission operations, and will also be required for :

- routine on-ground status and health monitoring of the subsystems and the experiments ;
- reporting to the ground any anomalous events detected on-board and any actions taken autonomously by the on-board systems ;
- performance evaluation on the ground for the purposes of long-term trend analysis and feedback into the mission planning cycle.

The **Mission Timeline (MTL)** is defined as a linear sequence of Telecommands, which will be sent to their on-board destinations by the Scheduling Service, when their execution time has arrived. The autonomous operation of Herschel and Planck will be based on these TC packets, which are uplinked to the MTL during each daily communication period.

The **autonomous execution of Telecommands** requires that preconditions and execution status of each Telecommand are checked, as part of Flight Procedures that are executed automatically on-board (as opposed to ground control). The Scheduling Service is not specified to check the execution status of Telecommands. However, OBCPs can have capabilities in support of these control functions, like activating a part of the MTL, or skipping (parts of) the MTL up to a point in time, and releasing specific Telecommands for pre-planned recovery activities.

1.2.2 Contingency Operations

In the event of unforeseen on-board events, **on-ground actions** will be necessary to investigate and correct anomalies utilising the **available telemetry and command functionality**.

PACKET STRUCTURE INTERFACE CONTROL DOCUMENT (PSICD)

REFERENCE : SCI-PT-ICD-07527

DATE : 07-Nov-2003

ISSUE : 4.0 PAGE : 28/150

Several TM / TC packet services in support of unit-specific data structures are implemented in support of contingency operations :

- activation or modification of test or diagnostic operational modes and associated TM packet structures,
- modification of the on-board operations schedule,
- modification of on-board control procedures,
- In **exceptional cases**, it may be necessary to modify on-board parameters or software in order to compensate for on-board failures or anomalous performance. This may be done by dumping, checking, and loading of on-board memories.

1.2.3 Packet Distribution

The following Telemetry and Telecommand Packet categories exist :

- those generated on the ground and up-linked to the spacecraft for immediate distribution or intermediate storage,
- those generated by on-board applications and down-linked to the ground,
- those generated on-board and routed to other on-board applications (and to the ground in all cases).

These packet categories are to be routed to or from on-board end-users which are capable of handling the services associated with TM / TC Packet data structures (so-called packet end users). The routing of packet data takes place under control of the Command and Data Management System (CDMS) of the satellite, which is in charge of initialisation, timing, and prioritising of any on-board packet data transfer.

The CDMS is also acting as the controlling subsystem for the **on-board serial data bus**, which serves for physically connecting units and routing data from or to instruments, other spacecraft units, or subsystems. The protocol, which serves for transferring packet data and other data (e.g. control information), does not impose restrictions on packet data structures, and the associated service acts independently from packet services. Details of this protocol are specified in Appendix 9 of this document.

The management of the serial data bus incorporates certain Failure Detection, Isolation, and Recovery (FDIR) functions, which provide for a reliable transfer of packet data. They are also defined in Appendix 9. These FDIR functions are executed and reported by the CDMS ; all other packet end-users are required to generate the appropriate event packets in case problems with the exchange of data can be detected.

1.3 APPLICABLE DOCUMENTS

Reference **AD-1**

Packet Telemetry Standard, PSS-04-106, Issue 1, January 1988

*

Reference **AD-2**

Packet Telecommand Standard, PSS-04-107, Issue 2, April 1992

*

Reference **AD-3**

Herschel / Planck Operations Interface Requirements Document (H/P-OIRD), SCI-PT-RS-07360

*

PACKET STRUCTURE INTERFACE CONTROL DOCUMENT (PSICD)

REFERENCE : SCI-PT-ICD-07527

DATE : 07-Nov-2003

ISSUE : 4.0

PAGE : 29/150

1.4 REFERENCE DOCUMENTS

Reference **RD-1**

Packet Utilisation Standard (PUS), ECSS-E-70-41A, Issue 1, 6 November 2002

*

Reference **RD-2**

CCSDS Packet Telemetry, CCSDS 102.0-B-4, November 1995

*

Reference **RD-3**

MIL-Std.-1553 B, Digital Internal Time Division Command/Response Multiplex Data Bus, Issue Notice 2, 8 September 1986

*

Reference **RD-4**

SVM Requirements Specification, H-P-4-ASPI-SP-0019

*

Reference **RD-5**

Herschel / Planck Instrument Interface Document Part A, SCI-PT-IIDA-04624

*

Reference **RD-6**

CDMU Application SW Requirements Specification, H-P-SP-AI-0031

*

Reference **RD-7**

SVM Interface Specification, H-P-4-ASPI-IS-0042

*

PACKET STRUCTURE INTERFACE CONTROL DOCUMENT (PSICD)

REFERENCE : SCI-PT-ICD-07527

DATE : 07-Nov-2003

ISSUE : 4.0

PAGE : 30/150

2. PACKET SERVICES

Reference **2000-PACK**

The Packet Services listed in Table 2-1 below are available on Herschel/Planck for users and are specified in detail within the following chapters. This Table 2-1 summarises the Packet Services supported by Herschel/Planck on-board subsystems (the CDMS and the ACMS) and instruments to the extent specified in this document.

For implementation of these Services, only a subset of packets specified in this document may, agreement with the Herschel / Planck project, be used by an on-board subsystems and instruments. This specificity is reflected in their respective User Manual and summarised in Table A-2.1 in Appendix 2 of this document. TM/TC-Packet Services other than specified in this document are not foreseen for the Herschel and Planck mission.

Service Type	Service Name	Services supported by		
		CDMS	ACMS	Instruments
1	Telecommand Verification	Yes	Yes	Yes
2	Device Command Distribution Service	Yes	Yes	No
3	Housekeeping and Diagnostic Data Reporting	Yes	Yes	Yes
4	Not Used	No	No	No
5	Event Reporting	Yes	Yes	Yes
6	Memory Management	Yes	Yes	Yes
7	Not Used	No	No	No
8	Function Management	Yes	Yes	Opt.
9	Time Management Service	Yes	Yes	Yes
10	Not Used	No	No	No
11	On-board Operations Scheduling Service	Yes	No	No
12	On-board Monitoring Service	Yes	Opt.	Opt.
13	Not Used	No	No	No
14	Packet Transmission Control Service	Yes	Yes	Yes
15	On-board Storage and Retrieval Service	Yes	No	No
16	On-board Traffic Management	Yes	No	No
17	Test Service	Yes	Yes	Yes
18	On-board Control Procedure Service	Yes	No	Opt.
19	Event/Action Service	Yes	Opt.	No
20	Not Used	No	No	No
21	Science Data Transfer Service	No	No	Yes
22	Not Used	No	No	No

Table 2-1 : Packet Services specified within this document

*

3. TELECOMMAND STRUCTURE

3.1 Telecommand Source Packets

Reference **3000-TC**

All Telecommand source packets must conform to the structure defined in **[AD-2]** and shown in Figure 3.1-1 below.

PACKET HEADER (48 bits)						PACKET DATA FIELD (VARIABLE)			
PACKET ID				PACKET SEQUENCE CONTROL		PACKET LENGTH	DATA FIELD HEADER	APPLICATION DATA	PACKET ERROR CONTROL
Version Number	Type	Data Field Header Flag	APID	Sequence Flags	Sequence Count				
3	1	1	11	2	14				
16 bits				16 bits		16 bits	32 bits	N x 16 bits	16 bits

Figure 3.1-1: Telecommand Packet Fields

– Packet Header

- Packet ID

- Version Number :

The Version Number must be set to '000'_{BIN} for all commands.

- Type :

This bit distinguishes between Telecommand packets and telemetry source packets. For Telecommand packets, the type = 1.

- Data Field Header Flag :

This indicates the presence of the Data Field Header when set to 1.

All commands except the «Standard Distribute CPDU command» TC Packet Type/Subtype (2,3), shall have a data field header. Note that the TC packet data field header contains the packet Type and Subtype. As a consequence Packet Type/Subtype (2,3) will not be indicated in the «Standard Distribute CPDU command» TC Packet.

- Application Process ID :

The Application Process ID (APID) defines the application or unit which the Telecommand **is addressed to**.

The choice of Application Process ID values across the spacecraft subsystems and experiments are given in Appendix 3.

- Packet Sequence Control

- Sequence Flags :

These 2 bits shall be set to «11», all Telecommands shall be «stand-alone» packets.

- Sequence Count : (14 bits) :

This field is provided to identify a particular Telecommand packet so that it can be traced within the end-to-end Telecommand system. The field is divided into two parts as follows :

- **Source part (3 most significant bits)** identifies the generator or source of a certain command as follows :
 - 000 = Ground, highest priority, all sources (maintained by ground)
 - 001 = Failure Detection, Isolation, and Recovery Telecommands (CDMU on-board)
 - 010 = Mission Time Line (maintained by ground, executed by CDMU)
 - 011 = On-board Control Procedures (executed by CDMU)
 - 100 = Ground, low priority, all sources (maintained by ground)
 - 101 = Failure Detection, Isolation, and Recovery Telecommands (ACC on-board)
 - 110 = CDMU, other sources on-board
 - 111 = ACMS, other sources on-board
- **Sequence part (11 bits)** shall be used to represent the actual Sequence Count. The Sequence Count is maintained by the Telecommand source for each Application Process ID. The sequence count shall be incremented by 1 whenever a command is generated with that Application Process ID. The counter wraps around from «full-scale» to zero.

When an acknowledgement of a TC-packet is required (see «Ack» field in the data field header below), it is mandatory that the full Sequence Control field is included in the telemetry acknowledge packet as the identifier of the Telecommand packet being acknowledged.

No check is to be performed by the addressed application regarding the monotony of the sequence counter, **the application shall accept commands regardless of the sequence counter.**

- Packet Length

The Packet Length field specifies the number of octets contained within the Packet Data Field. The number is an unsigned integer «C» where :

$$C = (\text{Number of octets in Packet Data Field}) - 1$$

The maximum length of a Telecommand Packet Data Field is **242 octets** (i.e. $C \leq 241$). The overall TC Packet including the Packet Header is 6 octets longer, therefore the **maximum TC Packet length is 248 octets.**

The Packet Length shall be an integer number of 16 bit words, as a result C will always be a odd number (of octets).

Note : As almost all Telecommands will be stored and then executed from the on-board **Mission Timeline** (nominal case) the actual usable TC packet length is shorter than 248 octets. TC packets have to be encapsulated into MTL Telecommands in order to be loaded to the MTL. They are carried as Variable Octet String, for which the actual length is provided within their own Packet Header, leaving an actual overall length of **228 octets.**

*

Reference **3010-TC**– **Packet Data Field**

- Data Field Header

PACKET STRUCTURE INTERFACE CONTROL DOCUMENT (PSICD)

REFERENCE : SCI-PT-ICD-07527

DATE : 07-Nov-2003

ISSUE : 4.0

PAGE : 33/150

The data field header shall be preceded by the packet header and followed by application data and error control in the Telecommand packet, refer to figure 3.1-1. The data field header is defined as follows :

CCSDS Secondary Header Flag	TC Packet PUS Version Number	Ack	Packet Type	Packet Subtype	Spare
Boolean (1 bit)	Enumerated (3 bits)	Enumerated (4 bits)	Enumerated (8 bits)	Enumerated (8 bits)	(8 bits)

➤ **CCSDS Secondary Header Flag :**

This bit shall be set to zero to indicate that the PUS Data Field Header is a «non-CCSDS defined Secondary Header».

➤ **TC Packet PUS Version Number :**

ONLY ONE PUS VERSION NUMBER IS PERMITTED : VERSION 0 (VALUE = 0).

➤ **Ack :**

This field is used to indicate which acknowledgements, in the form of Telecommand verification packets, are required to notify acceptance and to verify execution of this Telecommand packet. This relates only to acknowledgement of successful acceptance and execution, since failure reports shall be generated by default.

The bit settings shall be as follows :

- ---1 (bit 3 of the Ack field set) :, acknowledge acceptance of the packet by the Application Process
- --1- (bit 2 of the Ack field set) : acknowledge start of execution
- -1-- (bit 1 of the Ack field set) : acknowledge progress of execution
- 1--- (bit 0 of the Ack field set) : acknowledge completion of execution.

In nominal cases, the bit 3 of the Ack field (acknowledge acceptance) is always set by ground users. However in specific cases TC packet can be sent with this bit set to 0. In such a case, the on-board software shall perform the acceptance but, in case of successful TC acceptance, shall not issue the Telecommand Acceptance Report - Success TM(1,1) packet.

➤ **Packet Type :**

This indicates the Service to which this packet relates.

➤ **Packet Subtype :**

Together with the Packet Type, the Subtype uniquely identifies the nature of the Service Request constituted by this Telecommand packet.

The definition of Packet Type and Subtype is unique across all Application Processes.

➤ **Spare :**

Spare bits are introduced in order to make up an integral number of 16-bit words. These spare bits shall be set to zero.

- Application Data

The Telecommand application data constitute the data element of the Telecommand to be used by the application.

- Packet Error Control (PEC) (16 bits)

PACKET STRUCTURE INTERFACE CONTROL DOCUMENT (PSICD)

REFERENCE : SCI-PT-ICD-07527

DATE : 07-Nov-2003

ISSUE : 4.0

PAGE : 34/150

The purpose of the mandatory Packet Error Control field is to transport an error detection code that shall be used by the receiving Application Process to verify the integrity of the complete Telecommand Packet. The type of the PEC is fixed for the complete mission for all Application Processes, and is defined in Appendix 4.

*

4. TELEMETRY STRUCTURE

4.1 Telemetry Source Packet

Reference **4000-TM**

All Telemetry Source Packets must conform to the structure defined in **[AD-1]** and shown in Figure 4.1-1 below.

SOURCE PACKET HEADER (48 bits)						PACKET DATA FIELD (VARIABLE)			
PACKET ID				PACKET SEQUENCE CONTROL		PACKET LENGTH	DATA FIELD HEADER	SOURCE DATA	PACKET ERROR CONTROL
Version Number	Type	Data Field Header Flag	Application Process ID	Segmentation Flags	Source Sequence Count				
3	1	1	11	2	14				
16 bits				16 bits		16 bits	80 bits	N x 16 bits	16 bits

Figure 4.1-1: Telemetry Source Packet Fields

– Source Packet Header

- Packet ID

- Version Number :

The Version Number must be set to '000'_{BIN} (The specification in this document is consistent with **[RD-2]** and supersedes **[AD-1]**) for all telemetry issued on-board. The ground segment shall reject with an alarm any packet received with a version number other than zero.

- Type :

For Telemetry Source Packets, the type must be set to zero.

- Data Field Header Flag :

This indicates the presence or absence of a Data Field Header and must be set to 1 except for Time Packets and for Idle Packets where it is set to 0 (see Service 9, and Appendix 7).

- Application Process ID (APID) :

The Application Process ID uniquely identifies the **on-board source** of the packet.

For Telemetry Packets the APIDs have an internal structure that allows an allocation of each TM-Packet to one of three major service categories. The choice of Application Process ID values across the spacecraft subsystems and experiments are given in Appendix 3.

Two Application Process ID's have been reserved for special purposes, namely the Standard Spacecraft Time Source Packet and the Idle Packet. Their use and data structure are provided in Appendices 7 and 8 respectively. Additionally, a range of APIDs is allocated exclusively for EGSE-related messages. These APIDs shall not be used for any on-board TM/TC-Packets.

- Packet Sequence Control

➤ Segmentation [Grouping] Flags :

These two bits shall be set to '11'_{BIN}, indicating «no segmentation».

An exception to the above rule is made for Science Data packets TM(21,x). These packets may use the segmentation flags to implement **packet grouping** as defined below.

- segmentation flags = 01 : first source packet of a group
- segmentation flags = 00 : continuation source packet of a group
- segmentation flags = 10 : last source packet of a group
- segmentation flags = **11 : a self standing source packet** not belonging to a group.

The packet order within a group is given by the source sequence count field.

Note that the onboard data management system and the ESA ground data system does not provide any special support for the grouping of source packets. All packets belonging to a group are treated as self standing data units. It shall be the responsibility of the user to support the packet grouping in the onboard instrument and in the ground data processing equipment.

➤ Source Sequence Count :

A separate source sequence count shall be maintained for each Application Process ID and shall be incremented by 1 whenever the source (APID) releases a packet. Therefore the counter corresponds to the order of release of packets by the source and enables the ground to detect missing packets.

• Packet Length

The Packet Length field specifies the number of octets contained within the Packet Data Field, including the Data Field Header. The number is an unsigned integer «C» where

$$C = (\text{Number of octets in Packet Data Field}) - 1$$

For Herschel / Planck the maximum length of a Telemetry Source Packet Data Field is **1018 octets**, i.e. the maximum value for C is 1017.

It should be noted that the actual length of the entire Telemetry Source Packet, including the Source Packet Header, is 6 octets longer. Therefore the **maximum TM Packet length is 1024 octets**.

The Packet Length shall be an integer number of 16 bit words, as a result C will always be a odd number (of octets).

*

Reference **4010-TM**

– **TM Packet Data Field**

• Data Field Header

The content of the Data Field Header depends on the nature of the Telemetry Reports defined in the remainder of this document, however all data field headers shall have the same basic structure, as follows :

PACKET STRUCTURE INTERFACE CONTROL DOCUMENT (PSICD)

REFERENCE : SCI-PT-ICD-07527

DATE : 07-Nov-2003

ISSUE : 4.0

PAGE : 37/150

Spare	TM Source Packet PUS Version Number	Spare	Packet Type	Packet Subtype	Spare	Time
Bitstring (1 bit)	Enumerated (3 bits)	Bitstring (4 bits)	Enumerated (8 bits)	Enumerated (8 bits)	Bitstring (8 bits)	(48 bits)

- Spare :
To maintain symmetry with the Telecommand packet Data Field Header, this bit is reserved and shall be set to zero
- TM Source Packet PUS Version Number :
ONLY ONE PUS VERSION NUMBER IS PERMITTED : VERSION 0 (VALUE = 0).
- Spare :
Spare bits are placed in order to make up an integral number of 16-bit words. These spare bits shall be set to zero.
- Packet Type :
This indicates the Service to which this telemetry source packet relates.
- Packet Subtype :
Together with the Packet Type, the Subtype uniquely identifies the nature of the Service constituted by this telemetry source packet.
The definition of Packet Type and Subtype is unique across all Application Processes
- Spare :
Spare bits are introduced in order to make up an integral number of 16-bit words. These spare bits shall be set to zero.
- Time :
This field represents the local on-board reference time of the packet, expressed in CUC-format. Details of the time field are given in appendix 6.
The relationship of the time information to packet data generation or packet completion shall be fixed and defined per packet type/subtype of each application.
- Source Data (Variable)
The telemetry source data constitutes the data element of the TM Packet
- Packet Error Control (PEC) (16 bits)
The Packet Error Control field shall transport an error detection code that can be used by the ground to verify the integrity of the complete telemetry source packet. The presence of the PEC and its type is fixed for the complete mission for all Applications, and defined in Appendix 4.

*

4.2 Telemetry Packet Verification

4.2.1 TM-Packet Errors

Certain TM-packets generated by Applications running in the CDMU or ACC, or from other RTs, are evaluated and used on-board by the CDMU (and ACC) in conjunction with various services (like Event/Action, Data Pool, etc...). Therefore it must be guaranteed that these TM-packets are complete and free of errors, before further processing of their data is started.

Reference **4020-TM**

These TM-packets shall therefore be subjected to a consistency check, which verifies correctness of at least :

- Packet Error Control (Failure Code = 2)
- Packet Length (Failure Code = 1)
- Legal APID (Failure Code = 0)
- Legal TM-packet Type (Failure Code = 3)
- Legal TM-packet Subtype (Failure Code = 4)

TM-Packets of Service 21 (Science-Packets) do not fall under this obligation.

*

4.2.2 TM-Packet Error Reporting

Reference **4030-TM**

If the TM-packet verification fails, an Event Report, Type 5,x shall be generated, at least with failure codes as defined above and a minimum of 4 octets containing a copy of the erroneous part of the TM-packet. Transmission of this TM-packet to ground shall take place as foreseen for that packet.

The data of the failed TM-packet shall not be passed on to any other on-board processing.

*

5. PACKET DATA FIELD STRUCTURES

5.1 Service Type 1 : Telecommand Verification Service

Reference **5010-TCV**

Telecommand Verification Report Packets shall be generated by on-board applications after reception and optionally during, and at the end of, execution of a Telecommand.

*

Reference **5020-TCV**

The APID of the TC Verification Report shall be identical to the APID of the Telecommand packet being acknowledged.

*

During longer periods of autonomous operation of Herschel and Planck, Telecommands may be generated or released from several (sometimes independent) sources. An instrument for example may potentially receive commands from the Mission Timeline, On-board Control Procedures, or Failure Detection, Isolation and Recovery. It may additionally be the case, that the actual values of parameters, which are handed over to an Application, cannot be unambiguously determined on ground.

Reference **5030-TCV**

As only all **Telemetry** packets are recorded on-board and downlinked, the actual sequence of on-board generated Telecommands, and their contents, shall be copied into special TM packets, TM(1,9), which will be added to a Packet Store of the SSMM, and later-on downlinked (on request).

*

5.1.1 Telecommand Packet Data Field Structure :

not applicable

5.1.2 Telemetry Packet Data Field Structure :

5.1.2.1 Telecommand Acceptance

Reference **5050-TCV**

For **all** Telecommands, which pass the acceptance checks when received by the executing unit or application, a TC-Acceptance Report Packet shall be generated immediately, i.e. in less than 2 seconds after reception.

*

Reference **5060-TCV**

The reports of acceptance of a Telecommand Packet are as follows :

- **Telecommand Acceptance Report - Success (1,1)**

PACKET STRUCTURE INTERFACE CONTROL DOCUMENT (PSICD)

REFERENCE : SCI-PT-ICD-07527

DATE : 07-Nov-2003

ISSUE : 4.0

PAGE : 40/150

Telemetry Source Packet, Source Data :

Telecommand Packet ID	Packet Sequence Control
Enumerated, 2 octets	Enumerated, 2 octets

- Telecommand Packet ID :

This is a copy of the corresponding field from the packet header of the Telecommand to which this verification packet relates i.e. the APID (and the most significant 5 bits of this field).

- Packet Sequence Control :

This is a copy of the corresponding fields from the packet header of the Telecommand to which this verification packet relates.

– **Telecommand Acceptance Report - Failure (1,2)**

*

Reference **5070-TCV**

In case of rejection of **any** Telecommand by a unit or application an event-packet with the data field below shall be generated :

- Telemetry Source Packet, Source Data :

Telecommand Packet ID	Packet Sequence Control	Failure-Code	Parameters
2 octets	2 octets	Enumerated, 2 octets	Any

<---- Optional ---->

- Telecommand Packet ID :

This is a copy of the corresponding field from the packet header of the Telecommand to which this verification packet relates i.e. the APID (and the most significant 5 bits of this field).

- Packet Sequence Control :

This is a copy of the corresponding fields from the packet header of the Telecommand to which this verification packet relates.

- Failure-Code :

The following standard reasons for failure of acceptance of a Telecommand shall be reported :

- 0 = illegal APID ;
- 1 = incomplete or invalid length packet ;
- 2 = incorrect checksum ;
- 3 = illegal packet Type ;
- 4 = illegal packet Subtype ;

➤ 5 = illegal or inconsistent Application Data ;

16 to 255 = application-specific failure of acceptance, to be defined in the User Manual of the unit or subsystem involved, subject to approval by ESA and Prime Contractor.

The Failure-Code determines the structure and contents of the Parameters field that follows.

- Parameters :

For the standard reasons above the illegal or incorrect parameter shall be reported. The parameter-field shall be multiple of 16-bit-words, with a minimum of 4 octets. At least the parameter causing the rejection shall be reported in its original position in a certain word. In case of header-error the complete header, in case of CRC the complete CRC shall be reported.

For application-specific command rejections the parameter field is to be defined by users and provides complementary information relating to the particular value of the Failure-Code field. For telemetry bandwidth saving, the length of this field shall be kept as short as possible and is subject to approval by ESA and Prime Contractor.

In all cases the code field plus the parameter field shall have a length corresponding to two or several 16-bit words.

*

5.1.2.2 Telecommand Execution Started :

The **nominal case** for Telecommands shall be that they are executed **immediately** after reception. The timing of Telecommand execution is controlled by the Mission Timeline on-board or directly from ground.

For Telecommands, which cannot fulfil this criterion, a TC Execution Started Report may be generated, if the (start of) execution is not reported by **periodic housekeeping**. The data fields for reports of start of execution of a Telecommand packet are as follows :

Reference **5080-TCV**

- **Telecommand Execution Report - Started (1,3)**

Telemetry Source Packet, Source Data :

Same as for Type/Subtype (1,1)

*

5.1.2.3 Telecommand Execution Progress :

Only in case the execution of a Telecommand consists of a significant number of sub-steps and the overall execution takes **several tens of seconds or more**, it may be appropriate to report the successful completion of these steps by a Execution Report of type (1,5).

The data field for reports of progress of execution of a Telecommand packet are as follows :

Reference **5090-TCV**

- **Telecommand Execution Report - Progress (1,5)**

Telemetry Source Packet, Source Data :

PACKET STRUCTURE INTERFACE CONTROL DOCUMENT (PSICD)

REFERENCE : SCI-PT-ICD-07527

DATE : 07-Nov-2003

ISSUE : 4.0

PAGE : 42/150

Telecommand Packet ID	Packet Sequence Control	Step Number
2 octets	2 octets	Enumerated, 2 octets

- Telecommand Packet ID :
This is a copy of the corresponding field from the packet header of the Telecommand to which this verification packet relates, i.e. the APID (and the most significant 5 bits of this field).
- Packet Sequence Control :
This is a copy of the corresponding fields from the packet header of the Telecommand to which this verification packet relates.
- Step Number :
This indicates the intermediate step number of the Telecommand execution profile whose execution has been completed. The values it can take are Telecommand specific.

*

5.1.2.4 Telecommand Execution Completed

If the successful overall completion of execution of a Telecommand can be detected by an application, and if the completed execution is not reported satisfactorily by other means (e.g. periodic housekeeping data), a Telecommand Execution Report - Success, type (1,7), shall be generated.

The reports of completion of execution of a Telecommand packet are as follows :

Reference **5100-TCV**

– Telecommand Execution Report - Completed (1,7)

Telemetry Source Packet, Source Data :

Same as for Type/Subtype (1,1)

*

5.1.2.5 Telecommand Execution Failure

For **all** other cases, i.e. for not started, unsuccessfully executed, or otherwise aborted TC executions an event-message of type (1,8) can be generated, if the unit or application involved is capable of doing this.

Reference **5110-TCV**

– Telecommand Execution Report - Failure (1,8)

Telemetry Source Packet, Source Data :

Same as for Type/Subtype (1,2).

Execution- Failure Codes and Parameters : application-specific, to be defined in the User Manual of the unit or subsystem involved.

*

5.1.2.6 Telecommand Contents Report

For **all Telecommands, which are released from an on-board source** like an OBCP, etc., a Telecommand Contents Report (1,9) shall be generated by the source, which contains a complete copy of the actually executed Telecommand. The TM(1,9)-packets are normally stored in the SSMM, and downlinked according to needs. The generation of Telecommand Contents Reports is a mandatory service for CDMU and ACC. It is considered optional for commands generated or formatted and handled within instruments.

Reference **5120-TCV**

– **Telecommand Contents Report (1,9)**

Telemetry Source Packet, Source Data :

Same as the Telecommand to be reported.

*

5.2 Service Type 2 : Device Command Distribution

The Telecommands of service type 2 are foreseen for the control of units which are equipped with hardware interfaces for immediate execution of these commands. Completion of execution for these functions can only be indicated by periodic housekeeping in several cases.

5.2.1 Telecommand Packet Data Field Structure :

5.2.1.1 Distributing Pulse Commands

The request for the distribution of pulse command(s) by means of a Telecommand packet is :

Reference **5130-DVC**

– **Distribute Pulse Commands (2,1)**

Telecommand Packet, Application Data :

N	Address
Unsigned Integer (16-bit)	Enumerated (16-bit)

<---- Repeated N times ---->

- **N :**
The number of Pulse Commands which follow ($N > 0$, $N_{max.} = 8$).
- **Address :**
This gives the hardware address/channel to which the Pulse Command is to be routed.

*

5.2.1.2 Distributing Register Load Commands

Reference **5140-DVC**

The request for the distribution of Register Load Command(s) by means of a Telecommand packet is :

– **Distribute Register Load Commands (2,2)**

Telecommand Packet, Application Data :

N	Register Address	Register Data
Unsigned Integer (16-bit)	Enumerated (16-bit)	Unsigned Integer (16-bit)

<----- Repeated N times ----->

- N :
The number of register load commands which follow ($N > 0$, $N_{max} = 8$).
- Register Address :
This gives the hardware address of the register.
- Register Data :
The register data consist of a set of parameters whose structure is known implicitly from the foregoing register address.

*

5.2.1.3 Distributing CPDU commands

This Telecommand serves for executing high-priority commands via Command Pulse Distribution Unit. The request for the generation of Command Pulses on the output lines of a CPDU is :

Reference **5150-DVC**

– **Distribute CPDU Commands (2,3)**

CPDU Telecommand Packet, Application Data :

Output Line-ID	Spare	Duration
Enumerated (8-bit)	(5-bit)	(3-bit)
	Unsigned Integer (8-bit)	

1st Command Pulse Instruction

Output Line-ID	Spare	Duration
Enumerated (8-bit)	(5-bit)	(3-bit)
	Unsigned Integer (8-bit)	

Nth Command Pulse Instruction

- Output Line ID :
This identifies the CPDU output line on which the Command Pulse is issued.
- Spare :
Spare bits make up an integral octet and are ignored on-board. These spare bits shall be set to zero.

- Duration :

A value between 0 and 7 which determines the duration of the Command Pulse as follows :

$$\text{Command Pulse duration} = \langle \text{CPDU_DURATION_UNIT} \rangle * 2^{\text{Duration}}$$

where $\langle \text{CPDU_DURATION_UNIT} \rangle$ is defined to 13 ms for the CPDU.

For **Duration** = 0, the Command Pulse duration is 13 ms ;

for **Duration** = 7, the Command Pulse duration is 1664 ms.

*

5.2.1.3.1 Standard Distribute CPDU Command

This Telecommand serves for executing high-priority commands (i.e. : Command Pulses on the output lines of a CPDU) directly from the CDMS TC decoder (Standard Distribute CPDU Command is not delivered to CDMS Processor Module).

For handling of the Standard Distribute CPDU Command, by CDMS TC decoder the relevant field of TC segment must be set to appropriate value (see AD2).

The number of Command pulse instruction in the «Standard Distribute CPDU Command» TC packet is variable from 1 to 120 (120 corresponds to the maximal length TC packet).

5.2.1.3.2 Mission specific Distribute CPDU Command

This Telecommand serves for executing high-priority commands (i.e. : Command Pulses on the output lines of a CPDU) through the Herschel / Planck on-board software. For this TC packet, the Data Field Header Flag must be set to 1 to indicate presence of Data Field Header.

Reference **5155-DVC**

It shall be possible to define any number, from 1 to 8, of Command pulse instruction in one «Mission specific Distribute CPDU Command» TC packet.

*

5.2.2 Telemetry Packet Data Field Structure :

not applicable

5.3 Service Type 3 : Housekeeping & Diagnostic Data Reporting

Periodic Housekeeping TM Packets (HK Packets) shall be used to report the status and health of each unit or subsystem on-board. In nominal conditions only **one nominal HK Packet per unit** / subsystem / instrument should be generated with a fixed, default sampling period.

Reference **5160-PERP**

However, in order to ensure that a basic set of status information from each on-board user can be transmitted to ground even under adverse link conditions, each on-board Packet-Terminal shall generate so-called **Essential HK-Packets** with an average data rate compatible with these minimum link conditions. These Essential HK-Packets shall be distinguished from nominal ones by their APID, as specified in Appendix 3. Details on data rates allocated to users are specified in the SVM Interface Specification (RD-7), and in the IID-A (RD-5), respectively.

*

Supercommutation, i.e. faster sampling, may be used for certain parameters ; they are recorded at the end of a given packet structure as a sequence of fixed-length arrays of parameters.

Reference **5170-PERP**

These (Supercommutation) parameters shall be sampled at frequencies corresponding to 2, 4, 8, etc....times the basic **sampling frequency**, as needed for a certain parameter. The number of entries of a parameter in (an array of) the packet is equal to its sampling frequency factor.

*

If a number of user-parameters need to be reported with a sampling interval significantly longer or shorter than the nominal period, or if certain HK parameters are only relevant in **specific operational modes or configurations** of a unit / subsystem / instrument, **additional Housekeeping TM Packets** may be implemented by allocating adequate Structure Identifiers together with Data Field definitions. The Structure Identifier defines implicitly all sampling/timing relationships for the associated packet, as well as the structure and nature of all parameters.

Reference **5180-PERP**

The generation and transmission of these nominal HK Packets shall start or stop automatically together with the corresponding mode or configuration change of a unit / application.

*

Diagnostic TM Packets are equivalent to HK Packets in purpose, structure, and sampling approach. They may be utilised for data logging during specific modes or configurations related to calibration, engineering, or diagnostic phases (of limited duration). For easy extraction of these data on ground a special packet type is available for these data.

If certain diagnostic (or housekeeping) data need to be sampled only once (or over a short period of time) the default generation / transmission status for the involved Housekeeping / Diagnostic Packets can be «disabled», and Service 14 may be used to activate / deactivate these packets.

A (small) number of Housekeeping and Diagnostic TM packets may be re-defined by assigning a new definition of a sequence of Parameter Identifiers to an existing packet definition, together with a new Structure Identifier. The rules for construction of the data field and for the timing are the same as for static HK packets. During re-definition of an Housekeeping / Diagnostic TM packet, generation / transmission status for the involved Housekeeping / Diagnostic Packets shall be «disabled» and «cleared».

When re-defined, the Application Process ID (APID) of the Housekeeping / Diagnostic TM packet (Which can take the values 'Base-APID + 0' or 'Base-APID + 2') is not modified.

5.3.1 Telecommand Packet Data Field Structure :

5.3.1.1 Defining new housekeeping or diagnostic parameter reports

The TC requests, which allow to define new housekeeping or diagnostic parameter reports are :

Reference **5200-PERP**

– **Define New Housekeeping Parameter Report (3,1)**

Telecommand Packet, Application Data : see Figure below.

*

PACKET STRUCTURE INTERFACE CONTROL DOCUMENT (PSICD)

REFERENCE : SCI-PT-ICD-07527

DATE : 07-Nov-2003

ISSUE : 4.0

PAGE : 47/150

Reference **5210-PERP**

– Define New Diagnostic Parameter Report (3,2)

Telecommand Packet, Application Data : see Figure below.

HK Packet ID	SID	Sampling Interval	Segment-ID	N	Parameter ID
Enumerated 16 bits	Enumerated 16 bits	Unsigned Integer 16 bits	Unsigned Integer 8 bits	Unsigned Integer 8 bits	Enumerated 16 bits
					<--- Repeated N times --->

- **HK Packet ID :**
The HK Packet ID allows to identify uniquely a Housekeeping or Diagnostics TM packet definition.
- **SID :**
The Structure Identifier defines the structure of the parameter field.
- **Sampling Interval :**
The Sampling Interval for this Housekeeping or Diagnostic TM packet definition, expressed in multiples of the **sampling period** of the default HK packet of the addressed Application/ Unit. Allowed values : 1, 2, 4, 8... (HK/ Diagnostic TM packets can be generated at the default period, or at a smaller rate/ frequency).
- **Segment-Identifier :**
As a new Packet may contain more parameters than can be loaded with a single TC-packet, they have to be loaded by a sequence of TC-packets, each of them identified by a unique Segment-Identifier and carrying a segment of the overall parameter field.

The Segment-ID shall always start with 1, and be incremented one by one up to K for the last segment (allowed range : 1 to 254). After transmission of K Telecommands a TC(3,1) or TC(3,2) shall be sent with Segment_ID set to FFhex, and N set to zero.

If a new packet definition is loaded with a single TC-packet only, the Segment-ID shall be set to zero.
- **N :**
N defines the number of parameters in the data field of the definition. With each TC(3,1) or (3,2) a maximum of 114 Parameter-Identifiers can be loaded for the definition of a new HK/Diagnostics Packet. As the actual length of the field needed for certain parameters depend on their type, the maximum number of segments, or parameters, of a HK/Diagnostics Packet is user-specific.
- **Parameter ID :**
The Parameter ID identifies uniquely the parameter to be sampled. If a certain parameter shall be sampled and reported more than once in a certain HK packet, its Parameter ID shall be listed with the corresponding number of entries at the end of the data field.

For some subsystem (CDMS and ACMS) a dedicated Parameter ID value allows the periodic reporting of an User Selectable Data (USD) in RAM area. When Parameter ID takes this dedicated values, 3 additional 16-bit words (following the Parameter ID) are defined as follows to indicate the RAM area to be periodically reported.

PACKET STRUCTURE INTERFACE CONTROL DOCUMENT (PSICD)

REFERENCE : SCI-PT-ICD-07527

DATE : 07-Nov-2003

ISSUE : 4.0

PAGE : 48/150

Parameter ID	RAM start address (in logical) MSB	RAM start address (in logical) LSB	Length
Enumerated (16-bit)	Unsigned Integer (16-bit)	Unsigned Integer (16-bit)	Unsigned Integer (16-bit)

➤ Parameter ID

When parameter ID field takes the dedicated value, this informs that the following three 16-bit words shall be interpreted as follows.

➤ RAM start address (in logical) MSB / RAM start address (in logical) LSB

Defines the address of the first byte to be retrieved from RAM.

TC(3,1) / TC(3,2) shall be rejected when {RAM start address MSB / RAM start address LSB Length} combination defines memory location out of RAM area.

➤ Length

Defines the number of bytes to be retrieved from RAM (consecutive address).

*

Reference **5220-PERP**

The definition of new HK/ Diagnostic TM packets shall only be possible if the associated on-board memory areas or tables have been cleared earlier.

*

Reference **5230-PERP**

After a completed (Re-)Definition a TC Execution Report-Completed, TM(1,7), shall be generated, or a Failure Report, TM(1,8), in case of a failure.

*

5.3.1.2 Clearing housekeeping or diagnostic parameter report definitions

The requests to clear one or more Housekeeping or Diagnostic TM packet definitions are :

Reference **5240-PERP**

– **Clear Housekeeping Parameter Report Definitions (3,3)**

Telecommand Packet, Application Data : see Figure below

*

Reference **5250-PERP**

– **Clear Diagnostic Parameter Report Definitions (3,4)**

Telecommand Packet, Application Data : see Figure below

PACKET STRUCTURE INTERFACE CONTROL DOCUMENT (PSICD)

REFERENCE : SCI-PT-ICD-07527

DATE : 07-Nov-2003

ISSUE : 4.0

PAGE : 49/150

N	HK Packet ID
Unsigned Integer 16 bits	Enumerated 16 bit

<---- Repeated N times ---->

- N :
N defines the number of HK Packets that shall be deleted.
- HK Packet ID :
The HK Packet ID allows to identify uniquely a Housekeeping or Diagnostics TM packet definition in memory, which shall be cleared.

*

Reference **5260-PERP**

When this request is received, the entries for the indicated Housekeeping or Diagnostic Packet definitions and the corresponding parameter sampling mode are cleared (released).

*

Reference **5261-PERP**

When this request is received, the indicated Housekeeping or Diagnostic Packet generation shall be disabled as per use of TC(14,2).

*

5.3.1.3 Reporting housekeeping or diagnostic parameter report definitions

The requests for a report of one or more housekeeping or diagnostic parameter report definitions are :

Reference **5270-PERP**

- **Report Housekeeping Packet Definitions (3,9)**
Telecommand Packet, Application Data : see Figure below

*

Reference **5280-PERP**

- **Report Diagnostic Packet Definitions (3,11)**
Telecommand Packet, Application Data : see Figure below

N	HK Packet ID
Unsigned Integer 16 bits	Enumerated 16 bits

<---- Repeated N times ---->

- N :

N defines the number of HK Packets that shall be reported.

- HK Packet ID :

The HK Packet ID allows to identify uniquely a Housekeeping or Diagnostics TM packet definition in memory, which shall be reported.

*

5.3.2 Telemetry Packet Data Field Structure :

5.3.2.1 Reporting of Housekeeping or Diagnostic TM Packet Definitions

Reference **5290-PERP**

After reception of a TC(3,9) or TC(3,11) the Application/ unit shall generate one or several TM packets with a copy of the structure definition of the requested HK or Diagnostic Packets.

*

Reference **5300-PERP**

– Housekeeping Parameter Report Definitions Report (3,10)

Telemetry Source Packet, Source Data : see Figure below

*

Reference **5310-PERP**

– Diagnostic Parameter Report Definitions Report (3,12)

Telemetry Source Packet, Source Data : see Figure below

HK Packet ID	SID	Sampling Interval	Segment-ID	N	Parameter ID
Enumerated 16 bits	Enumerated 16 bits	Unsigned Integer 16 bits	Unsigned Integer 8 bits	Unsigned Integer 8 bits	Enumerated 16 bits

<--- Repeated N times --->

- HK Packet ID :
The HK Packet ID allows to identify uniquely a Housekeeping or Diagnostics TM packet definition.
- SID :
The Structure Identifier defines the structure of the parameter field.
- Sampling Interval :
The Sampling Interval for this Housekeeping or Diagnostic TM packet definition, expressed in multiples of the **sampling period** of the default HK packet of the addressed Application/ Unit. (HK/ Diagnostic TM packets can be generated at the default period, or at a smaller rate/ frequency).
- Segment-Identifier :

If parameters contained in a HK or Diagnostic-Packet allow its reporting with a single TM-packet (3,10) or (3,12), the Segment-Identifier shall be set to zero.

If parameters contained in a HK- or Diagnostic-Packet requires, for its reporting, a sequence of TM-packets, each of them shall be identified by a unique Segment-Identifier and shall carry a segment of the overall parameter field.

The Segment-ID shall always start with 1, and be incremented up to K for the last segment (allowed range : 1 to 254).

After transmission of K TM-packets a TM(3,10) or TM(3,12) shall be sent with Segment_ID set to FFhex, and N set to zero.

- N :

N defines the number of parameters in the data field of the definition.

- Parameter ID :

The Parameter ID identifies uniquely the parameter to be sampled.

For some subsystem (CDMS and ACMS) a dedicated Parameter ID value allows the periodic reporting of an User Selectable Data (USD) in RAM area. When Parameter ID takes this dedicated values, 3 additional 16-bit words (following the Parameter ID) indicates the periodically reported RAM area. Definition of these additional 16-bit words is identical to the one used for TC(3,1) / TC(3,2).

*

5.3.2.2 Reporting Housekeeping or Diagnostic Data

Reference **5330-PERP**

The periodic reports of the values of a set of housekeeping or diagnostic parameters shall be :

- **Housekeeping Parameter Report (3,25)**

Telemetry Source Packet, Source Data : see Figure below

*

Reference **5340-PERP**

- **Diagnostic Parameter Report (3,26)**

Telemetry Source Packet, Source Data : see Figure below

SID	Parameters
Enumerated 2 octets	Any

- SID :

The SID defines the structure of the parameter field.

- Parameters :

This field consists of a sequence of values of housekeeping or diagnostic parameters that are sampled nominally once per packet generation interval. It may be followed by a sequence of fixed-length arrays of parameter values, which are sampled periodically at multiples of the default frequency.

The only authorised parameter types are those described in Appendix 6.

*

5.4 Service Type 4 : not used

5.5 Service Type 5 : Event Reporting

5.5.1 Telecommand Packet Data Field Structure :

not applicable

5.5.2 Telemetry Packet Data Field Structure :

Three different sub-types of user-initiated event reports are defined for Herschel / Planck, to facilitate routing, on-board processing, and/or ground processing. All reports have the same structure, as follows :

Reference **5350-EVRP**

– **Event Report (5,1) :**

This sub-type shall be used for passing on information for any **asynchronous event or warning**, that has occurred within a unit or subsystem and for which no direct re-action by other units, except recording or transmission, is normally required. The CDMU may decide after reception of a specific Event Packet to initiate a related nominal activity (e.g. releasing a specific Telecommand to other units). see Figure below

*

For telemetry bandwidth saving, the normal progress reporting shall be optimised for routine on-board software. As a general rule, routine software functions (in particular the cyclic ones) shall not require TC verification reporting.

Event Report(s) generated for observability of on-board software normal progress is subject to approval by ESA and Prime Contractor.

Reference **5360-EVRP**

– **Exception Report (5,2)**

An Exception Report shall be generated by a unit in **non-nominal** cases for which an unscheduled **on-board** (recovery) **action** is required. This Report Packet is related to situations, which cannot be resolved by the unit alone but for which on-board procedures are available. On top of unit-internal actions related to that exception the CDMS may be asked to modify the MTL, activate an OBCP, or equiv. . see Figure below

*

Reference **5370-EVRP**

– **Error/Alarm Report (5,4)**

An Error/Alarm Report shall be generated for **non-nominal** events which require intervention from the mission control centre **on ground**, i.e. no predefined recovery or saving procedures are resident on-board. see Figure below

PACKET STRUCTURE INTERFACE CONTROL DOCUMENT (PSICD)

REFERENCE : SCI-PT-ICD-07527

DATE : 07-Nov-2003

ISSUE : 4.0

PAGE : 53/150

Data Field Structure for TM-Packet type (5,1), (5,2), and (5,4) :

Event ID	SID	Parameters A	Event Sequence Counter	Parameters B
Enumerated 2 octets	Enumerated 2 octets	8 octets	Unsigned Integer 2 octets	Any

<----- Optional ----->

- Event ID :
The Event Identifier allows to distinguish a certain Event unambiguously from any other, which may be generated by a certain Application Process or unit. It may be used by the on-board Event/Action Service, or by ground control, to initiate a foreseen activity, if that Event occurs.
- SID :
The Structure ID (SID) defines the structure and interpretation of the associated parameter field.
- Parameters A :
The Parameters A -field (fixed length) shall provide complementary information related to the particular event. Details of parameters and the associated SID are to be defined in the User Manual of the unit or subsystem.
- Event Sequence Counter :
For each Application and for each Type/Subtype of Events a Event Sequence Counter shall be maintained and incremented each time an Event Report of a certain Type/Subtype is generated.
- Parameters B :
The Parameters B -field may provide further complementary information related to the particular event. Details of parameters and the SID are to be defined in the User Manual of the unit or subsystem. For telemetry bandwidth saving, the length of this field shall be kept as short as possible and is subject to approval by ESA and Prime Contractor.

In all cases the parameter field shall have a length corresponding to one or several 16-bit words.

*

As a design goal, it is recommended to define the Event Reporting packets : TM(5,1) ; TM(5,2) and TM(5,4) layouts such a way that no reference to SID is necessary to determine their structure.

As a consequence, this prevents to define different parameter contents for Event Reporting packets identified by a given Event-ID and the SID field can be defined as «spare» or «don't care» in the User Manual of the subsystem or instrument.

5.6 Service Type 6 : Memory Management

Reference **5380-MM**

The Memory Management service shall only be used in cases when the actual contents of a memory location is not accessible otherwise by nominal means. It covers the TC- and TM-structures needed for direct loading, dumping, and checking areas of on-board memories.

*

However, the basic checking of the integrity of any user memory or of the correctness of code should be part of the selftest or Error Detection And Correction (EDAC) capabilities of each on-board unit.

PACKET STRUCTURE INTERFACE CONTROL DOCUMENT (PSICD)

REFERENCE : SCI-PT-ICD-07527

DATE : 07-Nov-2003

ISSUE : 4.0

PAGE : 54/150

This service relies on the capability of a certain on-board processor to execute at least several basic tasks like TM / TC communication via the data interface, and execution of this service, in a correct way.

Reference **5390-MM**

Different on-board processors may have different addressing capabilities, for example, some may not be capable of addressing a single octet, but instead may have an addressing granularity which corresponds to a 16-, 24- or 32-bit word. The base for the memory management service shall thus refer to a Smallest Addressable Unit (SAU), whose actual value is implementation-dependent and has to be defined in the User Manual of a subsystem / instrument.

*

Reference **5395-MM**

In case **octets** are defined as SAU for a certain unit, **and** if the number of octets to be loaded or dumped is odd, a padding-octet (set to zero) shall be inserted at the end of the octet-field in order to create an even number of octets, compatible with 16-bit-words. The value of the Length field below and the Checksum shall be calculated without the padding-octet.

*

For addressing the complete span of memory of some subsystem (CDMS and ACMS) the address can require more than the 16-bit Start Address. To allow the full addressing capability for such subsystem, the appropriate combination of Memory ID and Start Address fields may be used.

5.6.1 Telecommand Packet Data Field Structure :

5.6.1.1 Loading data in memory using base plus offsets : not used

5.6.1.2 Loading data in memory using absolute addresses

Reference **5400-MM**

When the user receives this Telecommand, it shall store the checksum of the received data, write the data block to the memory at the specified start address and re-read the memory area just written to, calculate and compare the checksum and report successful execution, TM(1,7), or an error report TM(1,8). In case of an error the loaded data shall be discarded.

*

The request to load data to one area of a memory block defined using absolute addresses is :

Reference **5410-MM**

– Load Memory Using Absolute Addresses (6,2)

Telecommand Packet, Application Data :

Memory ID	Start Address	Spare	Length	Data	Checksum
Enumerated (16 bits)	Unsigned Integer (16 bits)	(8 bits)	Unsigned Integer (8 bits)	Variable (N * 16 bits)	Enumerated (16 bits)

- Memory ID :
This identifies the destination memory block.
- Start Address :
This gives the start address (in SAUs, with the count starting from zero) within the memory block for loading the data.
The combination of the two fields Memory ID and Start Address shall provide for a direct mapping to the desired absolute memory address. Further details are to be defined in the User Manuals of the respective units.
- Spare :
8 bits, set to zero.
- Length :
The number of SAUs to be loaded. As the overall length of a TC packet cannot exceed 248 octets, the maximum length of the Data field will be 230 octets or 115* 16 bits. The Length of the data block, expressed as number of SAUs, must be compatible with this boundary.
- Data :
A data block to be loaded (in increasing order of SAU).
- Checksum :
An CRC checksum (see Appendix A.4) that is used by the on-board user to verify the integrity of the data being loaded. This checksum is generated over the unpadded Data block to be loaded, and is additional and different to the CRC word at the end of each packet.

*

The Data block to be loaded is different of the data contained into the TC packet «Data» field if the data block to be loaded is not an integer number of 16-bit words (this can occur only if the length destination unit SAU is not an integer number of 16-bit words). In such a case, a filling pattern (the padded area : typical length one byte) is added to the TC packet «Data» field to adjust its length to integer number of 16-bit words, and the data block used to compute the CRC checksum transmitted in TC packet does not include the filling pattern. This allows the TC packet destination user to compare the transmitted CRC checksum with the one computed on the memory area just written to.

5.6.1.3 Dumping memory using base plus offsets : not used

5.6.1.4 Dumping memory using absolute addresses

Reference **5420-MM**

When an on-board user receives this request it shall read the memory block, generate one or several report packets containing the contents of this area and send them to the downlink.

*

The request to dump the contents of one area of a memory block defined using absolute addresses is :

Reference **5430-MM**

– **Dump Memory Using Absolute Addresses (6,5)**

Telecommand Packet, Application Data :

Memory ID	Start Address	Length
Enumerated (16 bits)	Unsigned Integer (16 bits)	Unsigned Integer (16 bits)

- Memory ID :
This identifies the destination memory block of the on-board user.
- Start Address :
This gives the start address (in SAUs, with the count starting from zero) within the memory block for dumping the data.

The combination of the two fields Memory ID and Start Address shall provide for a direct mapping to the desired absolute memory address. Further details are to be defined in the User Manuals of the respective units.
- Length :
The number of SAUs to be dumped (< 65536 octets).

*

5.6.1.5 Checking memory using absolute addresses

Reference **5440-MM**

When the user receives this request it shall read and compute the checksum value of the indicated area of the memory using the CRC checksum algorithm defined in Appendix A.4. It then generates a report containing the checksum value computed.

*

Reference **5450-MM**

The request to check the contents of one area of a memory block defined with absolute addresses is :

– Check Memory Using Absolute Addresses (6,9)

Telecommand Packet, Application Data :

Memory ID	Start Address	Length
Enumerated (16 bits)	Unsigned Integer (16 bits)	Unsigned Integer (16 bits)

- Memory ID, Start Address, Length : equivalent to para. 5.6.1.4

*

5.6.1.6 Aborting a Memory dump

Reference **5455-MM**

The request to abort an in progress memory dumping is :

– Abort Current Memory dump (6,11)

Telecommand Packet, Application Data : None

On receipt of this request the application addressed shall stop any memory dumping previously requested by means of TC(6,5).

*

5.6.2 Telemetry Packet Data Field Structure :

Reference **5460-MM**

– Memory Dump, Absolute Addresses (6,6)

Telemetry Source Packet, Source Data :

Memory ID	Start Address	Length	Data	Checksum
Enumerated (16 bits)	Unsigned Integer (16 bits)	Unsigned Integer (16 bits)	Variable OctetString (N * 16 bits)	Enumerated (16 bits)

- Memory ID, Start Address, Length : as for para. 5.6.1.4
- Data :
The data block to be dumped (in increasing order of SAU).
- Checksum :
The Service calculates an CRC checksum according to Appendix A.4 for the data being dumped and places the result in this field.

*

Reference **5470-MM**

– Memory Check Report, Absolute Addresses (6,10)

Telemetry Source Packet, Source Data :

Memory ID	Start Address	Length	Checksum
Enumerated (16 bits)	Unsigned Integer (16 bits)	Unsigned Integer (16 bits)	Enumerated (16 bits)

- Memory ID, Start Address, Length : equivalent to para. 5.6.1.4
- Checksum :
The Service calculates an CRC checksum according to Appendix A.4 for the data being checked and places the result in this field.

*

5.7 Service Type 7 : not used

5.8 Service Type 8 : Function Management

This section defines the application data structures for Function Management Telecommand and Telemetry Packets. The term «**Function**» refers to conceptual software processes, for which the ground normally has the capability to exercise **direct control** over these processes.

Reference **5480-FNM**

Functions shall be used in support of (external) physical interfaces and to control the spacecraft-related functions of these interfaces, including mode- or configuration-changes. (The actual I/O-handler may be a part of a Function.)

*

Examples of such Application Functions could include control of the operation of a payload instrument or spacecraft units and subsystems, including changes of operational modes. Additionally, processes that are (mainly) devoted to internal data processing, and which rely on nominal control capability from ground, can be covered under the Function Service.

The Function Management Service shall be used to provide access to and visibility of different operational modes or configurations of Application Processes and their associated hardware units in an adequate way.

Reference **5490-FNM**

Control structures similar to «Private Telecommands» shall be avoided.

*

A global mode change of a unit (caused by a single Telecommand TC(8,1)) may imply that certain specific (independent) Functions are started automatically, others may be stopped simultaneously. No specific commanding for these Functions may be required in such a case. However, for contingency cases it may be needed to start or stop these Functions explicitly.

When an application function is active, the ground may have the possibility to perform a number of activities in the current context of the function. For example, in a particular mode of operation of an instrument, certain specific control actions may be available.

An important characteristic of the Function Management Service is, that it can be implemented in a way that a **two-step "Arm - Fire" or "Initiate - Execute"** concept can be utilised, additionally to the immediate execution after reception of a Start Function Telecommand (8,1). This is achieved by separating the initialisation of a Function, and loading of new function-parameters, from executing a Function with these parameters. Also, for establishing precise control over the timing of Functions or Activities these Telecommands can be used (by releasing them to the executing unit according to a schedule).

It is recommended that Functions for critical operations are designed in a way that they terminate automatically after execution, after a certain time interval, or after time-out conditions are reached.

5.8.1 Telecommand Packet Data Field Structure :

5.8.1.1 Starting a Function

Reference **5500-FNM**

When the request is received without following parameters, the on-board application shall start/ initiate the specified Function with default parameters. If a number of parameters is present in the Telecommand, these parameters shall be used instead.

*

Reference **5510-FNM**

deleted

*

Reference **5515-FNM**

In all cases the Function shall start at an unambiguous entry-point and the status shall become «active». The request is ignored if the Function status was "active" and a Telecommand Acceptance Report – Failure (1,2) shall be generated.

*

The request is :

Reference **5520-FNM**

– Start Function (8,1)

Telecommand Packet, Application Data :

Function ID	Spare	SID	Parameters
Enumerated 8 bits	8 bits	Enumerated 2 octets	Any
			Optional

- Function ID (FID) :
The Function ID, together with the Application ID in the packet header determines the activity, which can be controlled by that Telecommand. The Function ID is to be defined in the User Manual of the subsystem or instrument.
- Spare :
This field shall be set to zero.
- SID :
The Structure ID defines the presence and the fixed structure of the Parameter Field which follows. If SID = zero no parameters are sent.
- Parameters :
A number of data structures compliant with the Structure Rules according to Appendix 6. The parameters are used to configure the specific instance of the execution of the Function.

*

As a design goal, it is recommended to define the Start Function packet TC(8,1) layouts such a way that no reference to SID is necessary to determine its structure. i.e. : for a given Function-ID, one only set of parameters is allowed to be included (in a pre-defined order) in «Parameters» field.

As a consequence, the SID field can be defined as «spare» or «don't care» in the User Manual of the subsystem or instrument.

5.8.1.2 Stopping a Function

Reference **5525-FNM**

If a Function is not designed to execute and then terminate automatically, or for testing and contingencies, the Stop Function Telecommand (8,2) shall be used.

*

The request is :

Reference **5530-FNM**

– Stop Function (8,2)

Telecommand Packet, Application Data :

Function ID	Spare
Enumerated 8 bits	8 bits

- Function ID (FID) :
The Function ID, together with the Application ID in the packet header determines the activity which can be controlled by that Telecommand.
- Spare :
8 bits, set to zero.

*

Reference **5535-FNM**

When this request is received, the on-board Application Process shall stop the specified Function. **In any case**, the Function shall stop at an unambiguous exit-point in a deterministic way, and the Function status is then "stopped". The request is ignored if the Function status was "stopped" and a Telecommand Acceptance Report – Failure (1,2) shall be generated.

*

5.8.1.3 Not used

5.8.1.4 Performing an activity of a function

When this request is received, the Application Process indicates to the Function which activity it must execute and the parameters to be used. The Function status is unchanged by the execution of the Activity. If a certain

PACKET STRUCTURE INTERFACE CONTROL DOCUMENT (PSICD)

REFERENCE : SCI-PT-ICD-07527

DATE : 07-Nov-2003

ISSUE : 4.0

PAGE : 61/150

Function does not need to be split into more than one Activities, or if no parameters need to be loaded to a function, TC type (8,4) can be omitted.

For the execution of commanding activity according to the Arm – Fire concept a sequence of TC(8,1) for initiating/ arming, and TC(8,4) for executing/ firing can be used.

Reference **5540-FNM**

If the status of a Function is **«active»** it shall be possible to load parameters by executing TC(8,4), and have them accepted immediately without changing the Function status. If designed accordingly, the Function continues/executes from an entry-point identified by the Activity-ID.

*

Reference **5545-FNM**

If the status of the Function is **«stopped»**, the sending of a Perform Activity of Function command, TC(8,4), shall result in an Telecommand Acceptance Report – Failure (1,2), and the status of the Function shall not change. Additionally, an Event Report (5,2) or (5,4) may be issued.

*

The request is :

Reference **5460-FNM**

– Perform Activity of Function (8,4)

Telecommand Packet, Application Data :

Function ID	Activity ID	SID	Parameter
Enumerated 8 bits	Enumerated 8 bits	Enumerated 2 octets	Any

<-----Optional----->

- Function ID (FID) :
The Function ID, together with the Activity ID and the Application ID in the packet header, defines the exact actual activity of the function.
- Activity ID :
This indicates which activity of the specified Application Function is to be performed.
- SID :
The Structure ID defines the presence and the fixed structure of the Parameter Field which follows. If SID = zero no parameters are sent.
- Parameter :
A number of data structures compliant with the Structure Rules according to Appendix 6. The parameters are used to configure the specific instance of the execution of the Function.

*

As a design goal, it is recommended to define the Perform Activity of Function packet TC(8,4) layouts such a way that no reference to SID is necessary to determine its structure. i.e. : for a given {Function-ID ; Activity-ID} pair, one only set of parameters is allowed to be included (in a pre-defined order) in «Parameter» field.

As a consequence, the SID field can be defined as «spare» or «don't care» in the User Manual of the subsystem or instrument.

5.8.1.5 Reporting Function Status and Parameters

Functions may be designed to return a specific Function Status Report (8,6) automatically at certain steps of execution. This includes specific status-reporting after start/initialisation and also, after a TC(8,4) with specific control parameters has been sent (Example : returning values of specific, requested parameters or tables). In other cases, a status report shall be initiated by the Telecommand (8,5) (at any time).

The request is :

Reference **5470-FNM**

– Report Function Status (8,5)

Telecommand Packet, Application Data :

Function ID	Spare
Enumerated 8 bits	8 bits

- Function ID (FID) :
The Function ID, together with the Application ID in the packet header identifies the Function, for which a status-report is requested.
- Spare :
8 bits, set to zero.

*

Reference **5475-FNM**

When this request is received, the on-board Application Process shall report the **actual status** of the specified Function.

*

5.8.2 Telemetry Packet Data Field Structure :

5.8.2.1 Function Status Report

Reference **5480-FNM**

This Telemetry Report shall return the current set of parameter values, which have been handed over to the Function (by a TC(8,1) or TC(8,4)). Additionally, the Activity ID field shall provide information about the actual execution step/ status of the Function.

If a Function Status Report (8,6) has been initiated by a TC(8,4), details about the returned set of parameters can be defined by that Telecommand (user-specific).

*

Reference **5485-FNM**

– Function Status Report(8,6)

Telemetry Packet, Source Data :

Function ID	Activity ID	SID	Parameter
Enumerated 8 bits	Enumerated 8 bits	Enumerated 2 octets	Any

<-----Optional----->

- Function ID (FID) :
The Function ID, together with the Activity ID and the Application ID in the packet header, defines the exact actual activity of the function.
- Activity ID :
This indicates which activity of the specified Application Function is currently performed. This field may be used to indicate the actual activity step or status of a Function in a higher granularity than provided by TC(8,4) for the purpose of control.
If the status of the Function is «Stopped» the Activity ID shall be set to zero.
- SID :
The Structure ID defines the presence and the fixed structure of the Parameter Field which follows.
- Parameter :
A number of data structures compliant with the Structure Rules according to Appendix 6. The parameters are used to configure the specific instance of the execution of the Function.

*

As a design goal, it is recommended to define the Function Status Report packet TM(8,6) layouts such a way that no reference to SID is necessary to determine its structure. i.e. : for a given {Function-ID ; Activity-ID} pair, one only set of parameters is allowed to be included (in a pre-defined order) in «Parameter» field.

As a consequence, the SID field can be defined as «spare» or «don't care» in the User Manual of the subsystem or instrument.

5.9 Service Type 9 : Time Management

The Time Management Service provides the capabilities to transfer a master time information on-board a spacecraft, the Central Time Reference (CTR), to other units or applications after activation, reset, or for the purpose of re-synchronisation in order to achieve a high accuracy of «local copies» of the CTR. Additionally, the service supports the verification of time information, which is maintained (independently) within applications, against the on-board master time.

This is accomplished by executing a time synchronisation procedure in the CDMS, and locally within the addressed end-user or Application. This consists of sending an Enable Time Synchronisation packet TC(9,4) and a Time Code TC(9,5) to this Application, and then sending a synchronisation signal or message to one or more end-users. The submitted Time Code is valid at this moment. Although lower communication layers may be involved in time-setting and synchronisation of end-users (see also Appendix 9 of this document), the nominal means of controlling on-board time for Packet end users is TM/TC Service 9.

The process to (re-)set the Central Time Reference on-board the spacecraft to a ground reference time consists of correlating the current CTR against UTC on ground in order to determine a delta correction value, and then

sending a time to the spacecraft, at which a time-synchronisation of the CTR shall be performed, together with the new time, to which the CTR shall be set.

Reference **5490-OBTM**

Neither the operation of a (local) on-board clock nor the time-tagging of TM packets shall be suspended at any time. The time format to be used on-board is defined in Appendix 6.3.8.

*

The verification of the on-board master time against a time reference on-ground is, according to **[AD 1]**, a function, which is carried out by the CDMS on Transfer Frame Layer, and involves the generation of Standard Spacecraft Time Source Packets from the reserved Application ID Zero. This procedure is not covered in this section, for details see Appendix 7.

5.9.1 Telecommand Packet Data Field Structure :

5.9.1.1 TC (9,3) : Synchronise User

Reference **5500-OBTM**

On receipt of this command, the CDMS shall execute the time synchronisation procedure. If this Telecommand is addressed to Application Process controlling the CTR (in the CDMS) the synchronisation of the master on-board time shall be enabled.

- Application Data :

Spare	Application ID
5 bits	11 bits

- Spare :
Set to all zeros, i.e. '00000'_{BIN}.
- Application ID :
This field carries the APID of the user to be synchronised.

*

5.9.1.2 TC (9,4) : Enable Time Synchronisation

Reference **5510-OBTM**

The CDMS sends this command to the user addressed, to start the local time synchronisation procedure. The user then waits for a Time Code Telecommand and the next synchronisation signal or message and then sets its local time to the time delivered in the Time Code Telecommand.

- Application Data : None

*

5.9.1.3 TC (9,5) : Time Code

Reference **5520-OBTM**

The user sets its local clock to the time information delivered in the data field, in order to generate a copy of the on-board master time. The exact moment in time, at which this information is valid, is determined by the next synchronisation signal on the on-board data bus. User-internal latencies or corrections may be taken into account within the process of local time synchronisation, depending on the required accuracy.

- Application Data :

Time
48 bits

- Time : (48 bits)

The copy of the CDMS master time (CTR) to be used for synchronisation. The time code format shall be as specified in Appendix 6.3.8.

*

5.9.1.4 TC (9,6) : Verify User Time

Reference **5530-OBTM**

On receipt of this command, the CDMS shall generate an Enable Time Verification packet TC(9,7) for the user identified in the data field and then execute the time verification procedure, which includes the generation of a Central Time Reference packet TM (9,8).

- Application Data :

Spare	Application ID
5 bits	11 bits

- Spare :

Set to all zeros, i.e. '00000'_{BIN}.

- Application ID :

This field carries the APID of the user to be verified.

*

5.9.1.5 TC (9,7) : Enable Time Verification

Reference **5540-OBTM**

On receipt of this command, the application addressed shall enable the generation of a Time Verification Report TM(9,9)

- Application Data : None

*

5.9.1.6 TC (9,10) : Synchronise Central Time Reference

Reference **5550-OBTM**

The CDMS shall set its master clock, representing the CTR, to the value of New Sync. Time delivered in the data field, in order to synchronise the CTR to a time provided from ground. The exact moment in time, at which this information is valid, is determined by the value of Current Time.

– Synchronise Central Time Reference (9,10)

Telecommand Packet, Application Data :

Current Time	New Sync. Time
Absolute Time 48 bits	Absolute Time 48 bits

- Current Time : (48 bits)
The old value of the CDMS master time (CTR) at which synchronisation shall take place.
- New Sync. Time : (48 bits)
The new value of the CDMS master time (CTR). The time code format shall be as specified in Appendix 6.3.8.

*

It can be assumed that such CTR (re-)synchronisation will be a rare activity and will be performed under the responsibility by Ground.

5.9.2 Telemetry Packet Data Field Structure : Onboard Time Management Reports

The Time Management Reports are to be used by the CDMS and selected onboard applications to verify synchronisation to a common onboard time reference.

5.9.2.1 TM (9,8) : Central Time Reference

Reference **5555-OBTM**

Within the time verification procedure the CDMS shall generate a Central Time Reference packet TM(9,8) with a copy of the CDMS Central Time Reference generated at the moment of the next synchronisation signal, which is sent to end-users.

– Application Data :

Time
48 bits

- Time : (48 bits)
The copy of the Central Time Reference managed by the CDMS. The time code format shall be as specified in Appendix 6.3.6.

*

5.9.2.2 TM (9,9) : Time Verification Report

Reference **5560-OBTM**

After reception of a TC(9,7) the application addressed shall generate a Time Verification Report TM(9,9) at the moment of reception of the next synchronisation signal. The data field shall carry a copy of the local user time.

- Application Data :

Time
48 bits

- Time : (48 bits)

The copy of the Central Time Reference managed locally by the application. The time code format shall be as specified in Appendix 6.3.8.

*

5.10 Service Type 10 : not used

5.11 Service Type 11 : On-board Scheduling

The On-board Scheduling Service provides for the capabilities to execute a sequence of time-tagged Telecommands from a Mission Timeline (MTL). These Telecommands are passed by the CDMU to end-users, identified by their APIDs, at execution time, for immediate execution. Additionally the Service 11 provides for means to insert and delete Telecommands in the MTL, and to report the contents and status of the MTL.

Reference **5570-OBTM**

The MTL Service shall support the concept of Subschedules. They correspond to groups or sequences of Telecommands for one or several users, which normally control the execution of a certain independent activity. Subschedules can be enabled or disabled, or otherwise controlled, without affecting the rest of the MTL (i.e. several Subschedules can be active in parallel and/or sequentially).

Ground control may assign certain commanding activities to a specific schedule, which acts as a master schedule, and arrange other commanding sequences in other independent (sub-)schedules. However, no fixed, specific Schedule ID for a master timeline needs to be defined.

*

Examples for Subschedules are : all Telecommands belonging to a certain attitude manoeuvre, or a (sequence of) observation(s) of a single instrument. A master-schedule may cover a time-period up to several days, and contain Telecommands for configuring the RF-subsystem for the Daily Telecommunication Period, other scheduled maintenance activities, and configuring the spacecraft into a safe standby configuration after a period of 48 hours.

Reference **5575-OBTM**

If the Subschedule Identifier is set to **zero** in any of the Telecommands of Service 11 the **complete Mission Timeline**, i.e. all Subschedules that are currently residing on-board, shall be addressed in all these cases. As a consequence, all (Sub-)schedules shall have an identifier defined in the range (1, 4095).

*

Reference **5577-OBTM**

The MTL Service shall support two categories of Subschedules :

- a) Permanent Subschedules, enabled by default, Subschedule IDs in the range (1, 255),
- b) Transient Subschedules, disabled by default, Subschedule IDs in the range (256, 4095).

The MTL Service, together with this default status, shall be active after each reset or initialisation of the CDMS.

*

Reference **5580-MTL**

If an error is detected during the releasing of a Telecommand for execution, it shall not affect the processing of the remainder of the Telecommands of the MTL

*

5.11.1 Telecommand Packet Data Field Structure :

5.11.1.1 Controlling the release of Telecommands

The Service Requests to enable or disable the release of selected Telecommands are :

Reference **5585-MTL**

– **Enable Release of Telecommands (11,1)**

Telecommand Packet, Application Data : see Figure below

*

Reference **5590-MTL**

– **Disable Release of Telecommands (11,2)**

Telecommand Packet, Application Data : see Figure below

N	Subschedule-ID	M	Application-Process-ID
Unsigned Integer (16-bit)	Enumerated (16-bit)	Unsigned Integer (16-bit)	Enumerated (16-bit)
<--- Repeated N times --->		<--- Repeated M times --->	

- N :

The number of Subschedule-IDs that follow.

If **N = 0** (consequently the TC Application Data field contains no Subschedule-ID) : the TC addresses **all subschedules residing on-board**. The release status shall be set according to the TC subtype : enabled for TC(11,1) ; disabled for TC(11,2) for all MTL telecommands to Application Process(es) identified in the TC (whatever is the subschedule they belong to).

- Subschedule-ID :

The Subschedule Identifier allows to identify a set of Telecommands for one or several Applications/ users, and to distinguish them from the rest of the MTL.

- M :

The number of Application IDs that follow.

If **M = 0** (consequently the TC Application Data field contains no Application Process-ID) : the addresses **all on-board Application Process**. The release status shall be set according to the TC subtype : enabled for TC(11,1) ; disabled for TC(11,2) for all MTL telecommands belonging to subschedule(s) identified in the TC (whatever is their destination Application Process).

- Application Process-ID :

The identification of the destination Application Process(es) for which the MTL is to be enabled/disabled.

*

Reference **5595-MTL**

On receipt of TC(11,1) [*resp.* TC(11,2)] release status of MTL telecommands

- belonging to the «N» subschedules listed in the TC shall be enabled [*resp.* disabled] whatever is their destination Application Process.
- related to the «M» APID listed in the TC shall be enabled [*resp.* disabled] whatever is the subschedule they belong to.

These TCs allows to control independently the release status of MTL commands by APID or by subschedule.

Execution of the MTL shall always start from the actual value of the master on-board time (CTR) onwards.

*

Reference **5597-MTL**

Each change of release status of a Subschedule, or a sequence of Telecommands identified by AP-ID, shall be reported with an Event Report TM(5,1), returning at least the affected Subschedule ID, Application ID, and release status as parameters.

*

5.11.1.2 Resetting the Command Schedule

The request is :

Reference **5600-MTL**

- **Reset Command Schedule (11,3)**
Telecommand Packet, Application Data : **None**

*

Reference **5605-MTL**

When the Service Provider receives this request it clears all entries in the Command Schedule (MTL) for all Application Processes.

*

5.11.1.3 Inserting MTL-Telecommands in the Command Schedule

With this command one Telecommand for a certain end-user, identified by its APID, can be added to the on-board Mission Timeline, together with the time of release. This Telecommand type serves for **inserting**

PACKET STRUCTURE INTERFACE CONTROL DOCUMENT (PSICD)

REFERENCE : SCI-PT-ICD-07527

DATE : 07-Nov-2003

ISSUE : 4.0

PAGE : 70/150

specific MTL-Telecommands into the Command Schedule, **and for loading the complete MTL** for a longer period of operation, by sending all MTL-Telecommands for that period.

Reference **5610-MTL**

With each TC(11,4) one executable MTL-Telecommand shall be loaded.

*

The actual size of executable Telecommands is limited to 228 octets (216 octets for the data field) because the data space available to end-users is reduced by the schedule control parameters.

Note : As Herschel and Planck will be operated from the MTL most of their time this restriction applies for the majority of all Telecommands.

The request to insert (e.g. add) one Telecommand in the Command Schedule is :

Reference **5620-MTL**

– Insert MTL-Telecommands in Command Schedule (11,4)

Telecommand Packet, Application Data :

Absolute Time Tag	Subschedule ID	Telecommand Packet
Absolute Time 448 bits	Enumerated 16 bits	Variable OctetString

- Absolute Time Tag :

The Absolute Time Tag is the on-board CUC time of the Central Time Reference, at which the Telecommand packet is to be sent to its Application Process ID.

- Subschedule ID :

The Subschedule Identifier allows to identify a set of Telecommands for one or several Applications/ users, and to distinguish them from the rest of the MTL.

- Telecommand Packet :

This is a standard Telecommand packet of any Type/ Subtype.

The source of the Telecommand packet is indicated in the Source Part of the Packet Sequence Control field, its value shall be 010 (i.e. Telecommand from the on-board MTL). The length of this field is defined by the Length-field of the Packet-Header of the Telecommand.

*

Reference **5625-MTL**

When this request is received, the Telecommand in the request shall be checked for consistency with the rest of the MTL and, if no error is detected, it is added to the Command Schedule.

*

5.11.1.4 Deleting Telecommands from the Command Schedule

5.11.1.4.1 Deleting a Set of Telecommands from the MTL

The request to delete sets of Telecommands from the Command Schedule is :

Reference **5640-MTL**

– Delete MTL-Telecommands (11,5)

Telecommand Packet, Application Data :

N	Subschedule -ID	Application Process-ID	Absolute Time Tag	Sequence Count	Number of Telecommands
Unsigned Integer (16-bit)	Enumerated (16-bit)	Enumerated (16-bit)	Absolute Time (48-bit)	Enumerated (16-bit)	Unsigned Integer (16-bit)

<-----Repeated N times----->

- N :
This field specifies the number of telecommand sequence(s) that shall be deleted.
- Subschedule-ID :
The Subschedule Identifier identifies a set of Telecommands for one or several Applications/users.
In this TC, Subschedule-ID identifies the subschedule to which belongs a telecommand sequence that shall be deleted.
- Application-ID :
The APID identifies the Application affected. In this TC, APID identifies the destination Application Process of the first Telecommand packet belonging to the sequence that shall be deleted.
- Absolute Time Tag :
The Absolute Time Tag indicates the date of release (in CTR) of the first Telecommand packet belonging to the sequence that shall be deleted.
- Sequence Count :
The Sequence Count is the Packet Sequence Control field of the first Telecommand packet belonging to the sequence that shall be deleted. As a consequence to the allocation for Source Part of the Packet Sequence Control field, its three first bits shall be 010b.
- Number of Telecommands :
The number of (successive in date of release order) Telecommand packets that shall be deleted from the specified MTL subschedule (regardless of their destination APID).

*

Reference **5650-MTL**

When this request is received, the Telecommand which satisfy the selection criteria defined by the Subschedule-ID, the Application Process ID, the Absolute Time Tag and the Sequence Count shall be deleted as well as the [Number of Telecommands-1] Telecommands that follow in the identified subschedule.

PACKET STRUCTURE INTERFACE CONTROL DOCUMENT (PSICD)

REFERENCE : SCI-PT-ICD-07527

DATE : 07-Nov-2003

ISSUE : 4.0

PAGE : 72/150

*

Reference **5655-MTL**

After successful completion of a Delete-Telecommand a Telecommand Execution Report TM(1,7) shall be generated. If any error is detected during the processing of a deletion request, no Telecommands shall be deleted and an Telecommand Execution Failure Report TM(1,8) shall be issued.

*

5.11.1.4.2 Deleting Telecommands over a Time Period

The request is :

Reference **5660-MTL**

– Delete Telecommands over Time Period (11,6)

Telecommand Packet, Application Data :

Time Tag 1	Time Tag 2	Subschedule ID	N	Application Process ID
Absolute Time 48 bits	Absolute Time 48 bits	Enumerated 16 bits	Unsigned Integer 16 bits	Enumerated 16 bits

<--- Repeated N times --->

- Time Tag 1 :
All Telecommands selected by AP-ID and SS-ID with an execution time equal or larger than Time Tag 1, up to including Time Tag 2, shall be deleted.
- Time Tag 2 :
Time Tag 2 determines the latest absolute time for which Telecommands shall be deleted from the current MTL.
- Subschedule ID :
The Subschedule Identifier allows to identify a set of Telecommands for one or several Applications/ users that shall be deleted.
If Telecommands from all Subschedule shall be deleted, this field shall be set to zero.
- N :
This field specifies the number of Applications for which a sequence of Telecommands shall be deleted.
If N is set to zero all Telecommands between Time Tag 1 and 2 (for the identified Subschedule) shall be deleted.
- Application Process ID :
The AP-ID is the identification of the destination Application Process from which Telecommands are to be deleted.

*

PACKET STRUCTURE INTERFACE CONTROL DOCUMENT (PSICD)

REFERENCE : SCI-PT-ICD-07527

DATE : 07-Nov-2003

ISSUE : 4.0

PAGE : 73/150

Reference **5665-MTL**

When this request is received, the specified Telecommands between Time Tag 1 and Time Tag 2 are deleted from the Command Schedule.

*

Reference **5670-MTL**

After successful completion of a Delete-Telecommand a Telecommand Execution Report TM(1,7) shall be generated. If any error is detected during the processing of a deletion request, no Telecommands shall be deleted and an Telecommand Execution Failure Report TM(1,8) shall be issued.

*

5.11.1.5 Reporting of the Command Schedule contents

This subservice provides the capabilities to produce a complete or partial report of the contents of the MTL.

5.11.1.5.1 Reporting of the complete command schedule

This request serves for obtaining a detailed report of all Telecommands in the on-board Command Schedule Memory, irrespective of their execution status or time tag.

The request is :

Reference **5675-MTL**

– **Report Command Schedule (11,9)**

Telecommand Packet, Application Data : see Figure below

N	Subschedule ID
Unsigned Integer (16-bit)	Enumerated (16-bit)

<---- Repeated N times ---->

- N :

The number of Subschedule-IDs that follow.

If **N = 0** (consequently the TC Application Data field contains no Subschedule-ID) : the TC addresses **all subschedules residing on-board**.

- Subschedule-ID :

The Subschedule Identifier allows to identify a set of Telecommands for one or several Applications/ users, and to distinguish them from the rest of the MTL.

*

Reference **5677-MTL**

When this request is received, a **Detailed Schedule Report** (set of TM(11,10) packets) shall be generated containing all Telecommands of the identified subschedule(s).

*

5.11.1.5.2 Reporting of the MTL over a time period

The request for a report of selected part(s) of the Command Schedule over an absolute time period is :

Reference **5680-MTL**

– Report Command Schedule over Time Period (11,11)

Telecommand Packet, Application Data :

Time Tag 1	Time Tag 2	Subschedule ID	N	Application Process ID
Absolute Time	Absolute Time	Enumerated	Unsigned Integer	Enumerated
48 bits	48 bits	16 bits	16 bits	16 bits
				Repeated N times

- Parameters of Data Field :

The structure and function of these fields is equivalent to the Telecommand of type/subtype (11,6).

When this request is received, a **Detailed Schedule Report** (set of TM(11,10) packets) covering the specified time period for the identified subschedule and application Process(es) shall be generated.

*

5.11.1.6 Reporting a Summary of the MTL

5.11.1.6.1 Reporting a Complete Summary of the MTL Command Schedule

The request to obtain a summary report of all telecommands in the command schedule shall be :

Reference **5690-MTL**

– Report Command Schedule in Summary Form (11,12)

Telecommand packet, application data : Identical to TC(11,9)

When this request is received, a **Summary Schedule Report** (set of TM(11,13) packets) shall be generated containing all Telecommands of the identified subschedule(s).

*

5.11.1.6.2 Reporting a Summary of the MTL over a Time Period

The request to obtain a summary report of a selected part of the telecommands in the command schedule shall be :

Reference **5700-MTL**

– Report Command Schedule Summary over Time Period (11,14)

Telecommand packet, application data : Identical to TC(11,11)

When this request is received, a **Summary Schedule Report** (set of TM(11,13) packets) covering the specified time period for the identified subschedule and application Process(es) shall be generated.

*

5.11.1.7 Reporting of the Status of the Command Schedule

Reference **5702-MTL**

The request to report, which Telecommands are enabled/disabled for release from the command schedule, shall be :

- **Report Status of Command Schedule (11,18)**

Telecommand packet, application data : None

When this request is received, a **Command Schedule Status Report** (set of TM(11,19) packets) shall be generated containing the release status (enabled or disabled) of the Application Processes and of the used Subschedules .

*

5.11.2 Telemetry Packet Data Field Structure :

5.11.2.1 Detailed Report of the Command Schedule

Reference **5710-MTL**

The structure of the fields shall be a copy of Type/Subtype (11,4), i.e. for the selected MTL-Telecommands the contents of the MTL is reported by the TM(11,10) packets the same way as it was loaded or inserted.

*

Reference **5720-MTL**

- **Detailed Schedule Report (11,10)**

Telemetry Packet, Source Data :

N	Absolute Time Tag	Subschedule ID	Telecommand Packet
Unsigned Integer 16 bits	Absolute Time 48 bits	Enumerated 16 bits	Variable OctetString

<----- Repeated N times ----->

- N :
N specifies the number of MTL-Telecommands reported in the current TM(11,10).
- Absolute Time Tag :
The Absolute Time Tag is the on-board CUC time of the Central Time Reference, at which the Telecommand packet is to be sent to its Application Process ID.
- Subschedule ID :

PACKET STRUCTURE INTERFACE CONTROL DOCUMENT (PSICD)

REFERENCE : SCI-PT-ICD-07527

DATE : 07-Nov-2003

ISSUE : 4.0

PAGE : 76/150

The Subschedule Identifier allows to identify a set of Telecommands for one or several Applications/ users, and to distinguish them from the rest of the MTL.

- Telecommand Packet :

This is a standard Telecommand packet of any Type/ Subtype

The source of the Telecommand packet is indicated in the Source Part of the Packet Sequence Control field, its value shall be 001 (i.e. Telecommand from the on-board MTL).

*

Reference **5725-MTL**

When completion of a request **Report Command Schedule** TC(11,9) or **Report Command Schedule over Time Period** TC(11,11) requires several TM(11,10) packets, these TM(11,11) packets shall be generated such a way that the reported MTL telecommand packets are ordered in increasing Absolute Time Tag, regardless of the subschedule they belong to and of their destination APID.

*

5.11.2.2 Summary Schedule Report (11,13)

Reference **5730-MTL**

Telemetry source packet, source data :

N	Absolute Time Tag	Subschedule -ID	Application Process-ID	Sequence Count
Unsigned Integer (16-bit)	Absolute Time (48-bit)	Enumerated (16-bit)	Enumerated (16-bit)	Enumerated (16-bit)

<-----Repeated N times----->

- N :
N specifies the number of Telecommand Identifiers, consisting of Subschedule-ID, APID, and Sequence Count, reported in the TM(11,13).
- Absolute Time Tag :
The Absolute Time Tag is the on-board CUC time of the Central Time Reference, at which the Telecommand packet is to be sent to its Application Process ID.
- Subschedule ID :
The Subschedule Identifier allows to identify a set of Telecommands for one or several Applications/ users, and to distinguish them from the rest of the MTL.
- Application ID :
The APID identifies the Application affected.
- Sequence Count :
The identification of an individual Telecommand packet to be sent to the specified destination Application Process.

*

Reference **5731-MTL**

When completion of a request **Report Command Schedule in Summary Form** TC(11,12) or **Report Command Schedule Summary over Time Period** TC(11,14) requires several TM(11,13) packets, these TM(11,13) packets shall be generated such a way that the reported parts of MTL telecommand packets is ordered in increasing Absolute Time Tag, regardless of the subschedule they belong to and of their destination APID.

*

5.11.2.3 Report of the Status of the Command Schedule

Reference **5732-MTL**

– **Command Schedule Status Report (11,19)**

Telemetry source packet, source data :

N1	Subschedule -ID	Status	N2	Application Process-ID	Status
Unsigned integer (8-bit)	Enumerated (16-bit)	Enumerated (8-bit)	Unsigned integer (8-bit)	Enumerated (16-bit)	Enumerated (8-bit)
<-----Repeated N1 times----->			<-----Repeated N2 times----->		

- N1 :
The number of Subschedules that follow.
- Sub-schedule ID :
The identification of the Subschedule being reported.
- Status :
The status of the corresponding Subschedule, as follows :
 - Value = 0 (Disabled)
 - Value = 1 (Enabled).
- N2 :
The number of Application IDs that follow.
- Application Process ID :
The identification of the Application Process being reported.
- Status :
The status of the corresponding Application Process, as follows :
 - Value = 0 (Disabled)
 - Value = 1 (Enabled).

*

Completion of a request **Report Status of Command Schedule** TC(11,18) may require several TM(11,19) packets. A dedicated TM(11,19) packet can be used to report the release status of all spacecraft APID. The reporting of release status of non-used subschedules (i.e. : containing no telecommand) is not required.

Note that if a TM(11,19) packet reports no Subschedule release status, N1 shall be set to 0 in this TM packet ; if a TM(11,19) packet reports no spacecraft APID release status, N2 shall be set to 0 in this TM packet. A spare octet (set to zero) can be added to TM(11,19) source data to fulfil the TM packets 16-bit alignment requirement.

5.12 Service Type 12 : On-board Monitoring

The On-board Monitoring Service provides the **capability to monitor on-board parameters** with respect to checks defined by the ground **for the purpose of initiating adequate actions** on-board (during autonomy phases of the spacecraft) or on ground. These actions can be confined to reporting in some cases, or predefined on-board functions (like nominal OBCPs, or FDIR functions) may be involved, if applicable. In any case the service shall report **all** check status transitions to the ground.

To achieve this, the service maintains a monitoring list, and checks parameter samples according to the information contained therein. If a check results in a positive result, a Monitoring Identifier determines if an activity shall be triggered and if an Event packet (type 5,x) shall be generated. This can be evaluated on-board by the Event/ Action Service (Type 19), or on ground in order to initiate related further activities. The Monitoring Service is considered to be a CDMS capability, as far as S/C-related parameters are concerned. For instrument-internal monitoring this service may be implemented as part of the instrument applications.

The on-board Monitoring Service maintains static monitoring information for each parameter to be monitored.

Reference **5740-OBMF**

The parameter monitoring information shall specify :

- The Identification of the on-board parameter to be monitored ;
- The Monitoring Status, stating whether the monitoring of the parameter is enabled or disabled (normally **controlled by ground**) ;
- The parameter monitoring information shall include a set of **Check Definitions**. A check definition provides the information required to checking a sample of the parameter against either a limit, or an expected value. Two or more check definitions may be associated with a given parameter, if a certain action is defined for a set of Warning limits (typically reporting), and more severe Alarm limits (typically starting a recovery action). In general, each individual Check Definition is normally associated with a certain operational condition of the unit to be monitored, and an individual action to be taken (Example : an upper and lower limit of a HK parameter must be monitored, with different associated actions. The monitoring only takes place, if the unit is switched-on and in the foreseen operational mode.).

*

Reference **5750-OBMF**

If different sets of check definitions for a certain parameter are associated with different operational conditions of a unit or application, the check definitions and the monitoring status shall be changed adequately and timely by commanding (from ground or CDMS/ OBCP). This includes the power status of units and activation status of (SW-) applications /functions.

In this sense the samples of a parameter are always valid.

*

Reference **5760-OBMF**

The monitoring of that parameter shall be enabled, together with a correct Check Definition such that the monitoring does not result in a monitoring event under nominal conditions, in contrast to unscheduled or non-nominal behaviour of that parameter.

PACKET STRUCTURE INTERFACE CONTROL DOCUMENT (PSICD)

REFERENCE : SCI-PT-ICD-07527

DATE : 07-Nov-2003

ISSUE : 4.0

PAGE : 79/150

*

Reference **5770-OBMF**

For all parameters to be monitored a **checking status list** shall be maintained, which reflects for all parameters the current/last status of the checks performed on them (i.e. «within limits», «below low limit», «above high limit», etc.).

*

Reference **5780-OBMF**

If a **check status transition** occurs for a parameter, an Event TM packet (Type 5,x) shall be generated immediately, i.e. **both the exceeding of limits and returning into the nominal range shall be reported** (equivalently for an expected-value-check). Contents of this Event TM packet is defined in the following.

*

Reference **5790-OBMF**

For a limit-check or an expected-value-check, the number of successive samples of the parameter which must fail (or succeed) the check in order to establish a new checking status for the parameter shall be 3, as default value. However, this value can be modified by ground-command in line with specific needs.

*

Reference **5800-OBMF**

Repetitive generations of identical monitoring Event packets must be avoided, details are defined in **[AD 3]**.

*

Reference **5810-OBMF**

The monitoring intervals for these parameters shall be equal to the default sampling periods for these parameters for the Housekeeping & Diagnostics Service (Service 3). However, for certain parameters, or for certain time periods, it may be adequate to conduct the monitoring activity at a slower rate than the standard sampling. Therefore the Monitoring Interval can be configured by Telecommand.

*

5.12.1 Telecommand Packet Data Field Structure :

5.12.1.1 Controlling the on-board monitoring

It is possible to enable or disable the monitoring of parameters globally or to enable or disable the monitoring of a specified subset of parameters. The requests are :

Reference **5820-OBMF**

– **Enable Monitoring of Parameters (12,1)**

Telecommand Packet, Application Data : see Figure below

*

Reference **5830-OBMF**

– **Disable Monitoring of Parameters (12,2)**

Telecommand Packet, Application Data : see Figure below

N	Parameter-ID	Monitoring-ID
Unsigned Integer 16 bits	Enumerated 16 bits	Enumerated 16 bits

<----- Repeated N times ----->

- **N :**
N provides the number of parameters for which monitoring is to be enabled/disabled. By convention, N = 0 means "Enable/disable the entire Monitoring Service".
- **Parameter-ID :**
The P-ID is the unique identification of a parameter, as also used for the Housekeeping Service.
- **Monitoring ID :**
The Monitoring Identifier associates a certain parameter with a specific Check Definition and with specific Event Packets. If applicable, the action which will be initiated in case of monitoring event is defined on-board by the Event/ Action Service.

When the CDMS receives this request :

- If **N = 0**, it sets the overall monitoring status to "Enabled" or "Disabled", depending on the request sub-type.
- If **N > 0** and if "enable" is requested, these parameters in the Monitoring List start being monitored.
- If **N > 0** and if "disable" is requested, the monitoring of these parameters in the Monitoring List is stopped.

An error shall be flagged if the TC transmitted Monitoring-ID is not in the list or if the TC transmitted Parameter-ID does not match the one defined for the Monitoring-ID present in the list. In such cases, the processing of the remaining parameters (i.e. : the other {Parameter-ID ; Monitoring-ID} pairs specified in the TC) is not affected.

*

5.12.1.2 Clearing the monitoring list

The request is :

Reference **5840-OBMF**

– **Clear Monitoring List (12,4)**

Telecommand Packet, Application Data : **None**

When the CDMS receives this request, it sets the Service monitoring status to "Disabled" and clears all entries in the Monitoring List and in the Transition Reporting List.

*

5.12.1.3 Adding Parameters to, and Modifying Parameters of the Monitoring List

The request is :

Reference **5850-OBMF**

– **Modify Monitoring List (12,5)**

Telecommand Packet, Application Data :

N	Parameter-ID	Monitoring-ID	Parameter-Monitoring Status	Monitoring-Interval	REP-Number
Unsigned Integer (16-bit)	Enumerated (16-bit)	Enumerated (16-bit)	Enumerated (8-bit)	Enumerated (8-bit)	Enumerated (8-bit)

<----- Repeated N times ----->

Check-Value	Check-Mask	Check-Type-ID	Event-ID-1	Event-ID-2
Parameter specific (16-bit)	Parameter specific (16-bit)	Enumerated (8-bit)	Enumerated (16-bit)	Enumerated (16-bit)

----- Repeated N times (continued) ----->

- **N :**
The number of parameters to be added to the Monitoring List, or to be modified.
- **Parameter-ID :**
The identification of a parameter to be monitored (also used for the Housekeeping Service).
- **Monitoring-ID :**
The Monitoring Identifier associates a certain parameter with a specific Check Definition and with specific Event Packets. If applicable, the action which will be initiated in case of monitoring event is defined on-board by the Event/ Action Service.
- **Parameter-Monitoring-Status :**
This indicates whether the monitoring of the corresponding parameter shall be enabled (value = 1) or disabled (value = 0) immediately after modifying the Monitoring List.
- **Monitoring-Interval :**
The Monitoring Interval for this parameter, expressed in multiples of the default sampling period of this parameter. Allowed values : 1, 2, 4, 8... (The monitoring of a parameter can take place at the default period, or at a smaller rate/ frequency).
- **REP-Number :**
The number of successive samples of the parameter, which must fail (or succeed) the check in order to establish a new **checking status**.
- **Check-Value :**

This field provides a value against which the specified Parameter shall be compared. The Check Value can be a Low Limit, High Limit, or Expected Value. The parameter to be monitored shall be submitted to right alignment and to «bitwise-AND» masking before to be compared against the 16-bit specified Check-Value.

- Check-Mask :

This field provides the bit-masking to be applied (after right alignment) to the parameter to be monitored. The «bit-masking» operation consist in «bitwise-AND» between Check-Mask and the value of the right aligned parameter to be monitored. The result of this operation is here after referred to as : «Masked Parameter Value».

Examples :

- Parameter-ID referring to an 8-bit parameter with value A5h and a Check-Mask specified to be FF5Ah will give a Masked Parameter Value of 0000h.
- Parameter-ID referring to a 16-bit parameter with value ABCDh and a Check-Mask specified to be F0F0h will give a Masked Parameter Value of A0C0h.

- Check-Type-ID :

The Check Type Identifier determines the type monitoring test to be performed on the pair { Masked Parameter Value ; Check Value} and the expected result of the test.

- If Check-Type-ID = **1** the monitoring-test 'Masked Parameter Value **equal to** Check Value' shall be performed. The expected result of test is «FALSE» (i.e. : parameter value is expected to be not equal to Check Value).
- If Check-Type-ID = **2** the monitoring-test 'Masked Parameter Value **larger than** Check Value' shall be performed. The expected result of test is «FALSE» (i.e. : parameter value is expected to be smaller or equal to Check Value).
- If Check-Type-ID = **4** the monitoring-test 'Masked Parameter Value **smaller than** Check Value' shall be performed. The expected result of test is «FALSE» (i.e. : parameter value is expected to be larger or equal to Check Value).
- If Check-Type-ID = **8** the monitoring-test 'Masked Parameter Value **not equal to** Check Value' shall be performed. The expected result of test is «FALSE» (i.e. : parameter value is expected to be equal to Check Value).
- If Check-Type-ID = **16** the monitoring-test 'Masked Parameter Value **larger or equal to** Check Value' shall be performed. The expected result of test is «FALSE» (i.e. : parameter value is expected to be smaller than Check Value).
- If Check-Type-ID = **32** the monitoring-test 'Masked Parameter Value **smaller or equal to** Check Value' shall be performed. The expected result of test is «FALSE» (i.e. : parameter value is expected to be larger than Check Value).

- Event-ID-1 and Event-ID-2 :

The identifier of the specific Event Report (5,x) that shall be generated, when a transition of the **checking status** is detected.

For a given **Monitoring-ID**, the **checking status** shall be set to «**IN_RANGE**» when **Parameter-Monitoring-Status** is enabled. A **checking status** transition shall be detected when the monitoring-test gives **REP-Number** successive results opposite to the current value of **checking status**.

- If a transition of **checking status** from «**IN_RANGE**» to «**OUT_OF_RANGE**» is detected (this correspond to **REP-Number** successive «TRUE» results of the specified monitoring-test while **checking status** = «**IN_RANGE**»), the Event-Packet identified by **Event-ID-1** shall be generated.

- If a transition of **checking status** from «**OUT_OF_RANGE**» to «**IN_RANGE**» is detected (this correspond to **REP-Number** successive «*FALSE*» results of the specified monitoring-test while **checking status** = «**OUT_OF_RANGE**»), the Event-Packet identified by **Event-ID-2** shall be generated.

With this convention, the issuing of Event-Packet identified by **Event-ID-1** will in all cases indicate a transition to non expected result of monitoring-test (i.e. : in a general case, the monitoring-test define an abnormal condition).

Definition of monitoring Event packets identified by **Event-ID-1** and by **Event-ID-2** is given in the following.

*

Reference **5855-OBMF**

When the CDMS receives this request, it shall add the parameter monitoring information to the Monitoring List, and set the parameter monitoring status according to the value provided in the Monitoring Status field. In case a parameter has already an entry in the Monitoring list with an identical Monitoring Identifier, the values provided with the new Telecommand shall replace the previous values, in order to facilitate a modification.

If an error is detected during the processing of the monitoring information for a given parameter, this parameter is not added to the Monitoring List. This does not affect the processing of the remaining parameters

*

Reference **5856-OBMF**

The value of **Event-ID-1** and **Event-ID-2** specified in a TC(12,5) request shall be higher than 32767 (from 8000h to FFFFh). i.e. : the first bit of Event-ID for monitoring Event shall be 1b.

*

5.12.1.4 Deleting parameters from the monitoring list

The request to delete a specified Monitoring activity for a certain parameter from the monitoring list is :

Reference **5860-OBMF**

– **Delete Parameter from Monitoring List (12,6)**

Telecommand Packet, Application Data :

N	Parameter-ID	Monitoring-ID
Unsigned Integer 16 bits	Enumerated 16 bits	Enumerated 16 bits

<----- Repeated N times ----->

- **N** :
The number of parameters to be removed from the Monitoring List.
- **Parameter-ID** :
The identification of a parameter to be monitored.
- **Monitoring-ID** :

The Monitoring Identifier associates a certain parameter with a specific Check Definition and with specific Event Packets. If applicable, the action which will be initiated in case of monitoring event is defined on-board by the Event/ Action Service.

This definition will be cleared from the Monitoring list by this Telecommand (12,6), without affecting other definitions (for the same parameter).

An error shall be flagged if the TC transmitted Parameter-ID does not match the one defined for the Monitoring-ID present in the list. In such case, the processing of the remaining parameters (i.e. : the other {Parameter-ID ; Monitoring-ID} pairs specified in the TC) is not affected.

*

Reference **5865-OBMF**

When the CDMS receives this request, it processes each parameter in turn and removes its corresponding monitoring information, if any, from the Monitoring List (the entry becomes free).

If a certain parameter is not in the Monitoring List there shall be no effect on the deletion of the parameters which have an entry in the Monitoring List.

*

5.12.1.5 Request for the current monitoring list contents

If there is uncertainty on ground about the current contents and setting of the on-board monitoring list the ground may request a dump of the monitoring list.

The request is :

Reference **5870-OBMF**

– **Report Current Monitoring List (12,8)**

Telecommand Packet, Application Data : **None**

When the CDMS receives this request, it issues one or several reports with the current static contents of the Monitoring List (TM packet type (12,9)).

*

5.12.2 Telemetry Packet Data Field Structure :

5.12.2.1 Reporting the current monitoring list contents

Reference **5880-OBMF**

– **Current Monitoring List Report (12,9)**

Telemetry Source Packet, Source Data :

*

Reference **5885-OBMF**

The structure and contents of the data field of TM(12,9) shall be identical to TC(12,5). All Monitoring Definitions shall be reported. If one TM packet is not large enough a sequence of TM(12,9) packets shall be generated.

*

5.12.3 Monitoring Event packets Data Field Structure

When a transition of the **checking status** is detected for a given **Monitoring-ID**, the Event-Packet identified by **Event-ID-1** or **Event-ID-2** in the associated check definition is generated. The contents of these Monitoring Event packets is :

Reference **5886-OBMF**

When a transition of **checking status** from «**IN_RANGE**» to «**OUT_OF_RANGE**» is detected, the generated Monitoring Event packet shall be an Exception Report, i.e. : Type/subtype = (5,2) identified by **Event-ID-1**.

*

Reference **5887-OBMF**

When a transition of **checking status** from «**OUT_OF_RANGE**» to «**IN_RANGE**» is detected, the generated Monitoring Event packet shall be an Event Report, i.e. : Type/subtype = (5,1) identified by **Event-ID-2**.

*

Reference **5888-OBMF**

With the objective to give to ground users some element of monitored parameter trend, the contents of Monitoring Event packets shall be :

Telemetry Source Packet, Source Data :

Event-ID	Spare	Monitoring -ID	First-Masked-Parameter-Value	REPth-Masked-Parameter-Value	Spare	Event-Sequence-Counter
Enumerated (16-bit)	16-bit	Enumerated (16-bit)	Unsigned Integer (16-bit)	Unsigned Integer (16-bit)	16-bit	Unsigned Integer (16-bit)

- Event-ID :
The identifier of the Event packet that shall be generated for the detected transition of **checking status** (i.e. : Event-ID-1 or Event-ID-2 higher than 32767).
- Spare :
16-bit set to zero corresponding to the **SID** field of Event reporting Service.
- Monitoring-ID :
The Monitoring Identifier for which a transition of **checking status** was detected.
- First-Masked-Parameter-Value :
The Masked Parameter Value that has caused the first monitoring-test result opposite to the current value of **checking status**.
- REPth-Masked-Parameter-Value :
The Masked Parameter Value that has caused the transition of **checking status**.
- Spare :

16-bit set to zero corresponding to last two octets of the **Parameters A** field of Event reporting Service.

- Event-Sequence-Counter :
Count of generated Events as defined for Event reporting Service.

*

5.13 Service Type 13 : not used

5.14 Service Type 14 : Packet Transmission Control

The Packet Transmission Control Service allows for enabling or disabling :

- The transmission of TM Packets of the addressed Application Process or end-user by controlling the **generation** of TM packets (buffer management etc.) appropriately.
- The Real Time down-linking and/or SSMM storage from any Application Process or of any Type and Subtype by controlling dedicated CDMU parameters.

Packet Transmission Control Service allows for packet generation disabling during re-definition of an Housekeeping / Diagnostic TM packet. Packet generation enabling is not allowed before completion of Housekeeping / Diagnostic TM packet re-definition.

Reference **5890-PTXC**

If a process, function, or task has started, or has been resumed, or changes into a state or mode **nominally**, in which it starts to generate data of a certain packet type, it shall **not** be necessary to enable the generation and transmission of that TM packet via this Service 14.

*

Reference **5900-PTXC**

Only in exceptional or contingency cases the Packet Transmission Control Service shall be used to control the generation of TM packets by disabling or enabling certain packet types.

*

Reference **5910-PTXC**

Equivalently, the generation of TM Packets shall **stop automatically** for nominal status changes equivalent to the ones above (stopping, suspending, etc.).

*

Reference **5911-PTXC**

The Packet Transmission Control Service shall be used autonomously on-board to control the Real Time down-linking of TM packets in case of autonomous spacecraft mode transition causing a modification of available TM bandwidth.

*

Reference **5912-PTXC**

Only in exceptional or contingency cases the Packet Transmission Control Service shall be used to disable the SSMM storage of TM packets.

5.14.1 Telecommand Packet Data Field Structure :

5.14.1.1 Controlling the generation of specified Telemetry Packets

The requests to enable or disable the generation of telemetry source packets of specified type, sub-type, and structure from the destination Application Process are :

Reference **5920-PTXC**

– **Enable Generation of Telemetry Packets (14,1)**

Telecommand Packet, Application data : see Figure below

Reference **5930-PTXC**

– **Disable Generation of Telemetry Packets (14,2)**

Telecommand Packet, Application data : see Figure below

N	Type	Sub-Type	Packet-ID
Unsigned Integer (16 bits)	Enumerated (8 bits)	Enumerated (8 bits)	Enumerated (16 bits)

<----- Repeated N times ----->

- N :
The number of TM Packet definitions that follow.
- Type :
The Telemetry Packet Service Type.
- Sub-Type :
The Telemetry Packet Service Sub-Type for the specified Service Type
- Packet-ID :
The Packet –Identifier allows to identify specific groups of TM-packets within a certain Type/Subtype.
 - -If the **structure** of a certain TM-packet is **fixed** for all applications, the Packet Identifier field is set to **Zero**.
 - If **all** TM Packets belonging to a certain Type/Subtype shall be enabled /disabled, the Packet-ID is set to **Zero**.
 - For the HK & Diagnostic Service 3 the Packet-ID shall be equal to the HK Packet ID defined for that Service.
 - For the Event Reporting Service 5 the Packet-ID shall be equal to the Event ID defined for that Service.
 - For the Scientific Data Service 21 the Packet-ID shall be equal to the Structure ID defined for that Service.

PACKET STRUCTURE INTERFACE CONTROL DOCUMENT (PSICD)

REFERENCE : SCI-PT-ICD-07527

DATE : 07-Nov-2003

ISSUE : 4.0

PAGE : 88/150

*

5.14.1.2 Requesting the list of enabled Telemetry Packets

The request to report the list of telemetry packet types and sub-types from the Application Process with an "Enabled" generation status is :

Reference **5940-PTXC**

– Report Enabled Telemetry Packets (14,3)

Telecommand Packet, Application Data : **None**

When this request is received, the enabled telemetry source packet of the addressed Application Process are determined and a report (14,4) is generated.

*

Reference **5941-PTXC**

deleted

*

5.14.1.3 Controlling the Real Time down-linking and/or SSMM storage of specified Telemetry Packets

The CDMS request to enable or disable the Real Time down-linking and/or SSMM storage of a specified Application Process or of a specified Type and Subtype is :

Reference **5945-PTXC**

– Select Down-linking / Storage of Telemetry Packets (14,5)

Telecommand Packet, Application data : see Figure below

N	Application ID	Type	Sub-Type	Transmit flag	Storage flag
Unsigned Integer (16-bit)	Enumerated (16-bit)	Enumerated (8-bit)	Enumerated (8-bit)	Enumerated (8-bit)	Enumerated (8-bit)

<----- Repeated N times ----->

- N
The number of TM packet definition that follow.
- Application ID
The identifier of Application Process from which TM packets Real Time down-linking and/or SSMM storage shall be Enabled/Disabled.
- Type
The TM packets Type which Real Time down-linking and/or SSMM storage shall be Enabled/Disabled.
- Sub-Type

PACKET STRUCTURE INTERFACE CONTROL DOCUMENT (PSICD)

REFERENCE : SCI-PT-ICD-07527

DATE : 07-Nov-2003

ISSUE : 4.0

PAGE : 89/150

The TM packets Sub-Type which Real Time down-linking and/or SSMM storage shall be Enabled/Disabled.

- Transmit flag

This field can take two values and indicate if TM packets identified by preceding {Application ID ; Type ; Sub-Type} down-linking is to be Enabled (when Transmit flag has the value : Enabled) or Disabled (when Transmit flag has the value : Disabled).

- Value = 0 (Disabled)

- Value = 1 (Enabled).

- Storage flag

This field can take two values and indicate if TM packets identified by preceding {Application ID ; Type ; Sub-Type} SSMM storage is to be Enabled (when Storage flag has the value : Enabled) or Disabled (when Storage flag has the value : Disabled).

- Value = 0 (Disabled)

- Value = 1 (Enabled).

The {Application ID ; Type ; Sub-Type} set identifies the TM packets to which the Real Time down-linking and/or SSMM storage control shall be applied as follows :

- If **Application ID > 0**, Real Time down-linking and/or SSMM storage of all TM packets carrying the selected Application ID shall be Enabled/Disabled according to the Transmit flag and Storage flag values.

- If **Application ID = 0 and Type > 0 (then Sub-Type shall be > 0)**, Real Time down-linking and/or SSMM storage of all TM packets carrying the selected {Type ; Sub-Type} shall be Enabled/Disabled according to the Transmit flag and Storage flag values.

- If **Application ID = 0 and Type = 0**, Real Time down-linking and/or SSMM storage of all TM packets shall be Enabled/Disabled according to Transmit flag and Storage flag values.

*

Reference **5946-PTXC**

deleted

*

Reference **5947-PTXC**

When CDMS receives this request, the dedicated parameters update and Real Time down-linking and/or SSMM storage shall be performed according to received flags.

*

5.14.1.4 Requesting the Telemetry Packets Real Time down-linking and SSMM storage status

The request to report the list of telemetry packets real time down-linking and SSMM storage status is :

Reference **5948-PTXC**

- **Report Telemetry Packets Down-linking / Storage status (14,6)**

Telecommand Packet, Application Data : **None**

When CDMS receives this request, the real time down-linking and SSMM storage status are determined for all telemetry packet {Application ID ; Type ; Sub-Type} and a report (14,7) is generated.

*

5.14.2 Telemetry Packet Data Field Structure :

5.14.2.1 Reporting the list of enabled Telemetry Packets

Reference **5950-PTXC**

– TM Packet Generation Status Report (14,4)

Telemetry Source Packet, Source Data :

N	Type	Sub-Type	Packet-ID
Unsigned Integer (16 bits)	Enumerated (8 bits)	Unsigned Integer (8 bits)	Enumerated (16 bits)

<----- Repeated N times ----->

- N :
The number of TM Packet definitions that follow.
- Type :
The Telemetry Packet Service Type.
- Sub-Type :
The Telemetry Packet Service Sub-Type for the specified Service Type.
- Packet-ID :
The Packet –Identifier allows to identify specific groups of TM-packets within a certain Type/Subtype.
 - -If the **structure** of a certain TM-packet is **fixed** for all applications, the Packet Identifier field is set to **Zero**.
 - If **all** TM Packets belonging to a certain Type/Subtype shall be enabled /disabled, the Packet-ID is set to **Zero**.
 - For the HK & Diagnostic Service 3 the Packet-ID shall be equal to the HK Packet ID defined for that Service.
 - For the Event Reporting Service 5 the Packet-ID shall be equal to the Event ID defined for that Service.
 - For the Scientific Data Service 21 the Packet-ID shall be equal to the Structure ID defined for that Service.

*

Reference **5951-PTXC**

deleted

*

5.14.2.2 Reporting the Telemetry Packets Real Time down-linking and SSMM storage status

Reference **5955-PTXC**

– Telemetry Packets Down-linking / Storage status Report (14,7)

Telemetry Source Packet, Source Data :

The structure and contents of the data field of TM(14,7) shall be identical to TC(14,5). Down-linking and Storage status shall be reported for all telemetry packet {Application ID ; Type ; Sub-Type}.

*

5.15 Service Type 15 : On-board Storage and Retrieval

The On-board Storage and Retrieval Service works in support of the Solid State Mass Memory and Non-volatile Memory, which are in charge of storing all TM data (at any time) in several Packet Stores. These recorded TM packets can be transmitted to ground in parallel with real-time data during (daily) periods of contact with a ground station. The functions of the Service 15 are executed by the unit in charge controlling the involved memories i.e. the CDMS.

The selective storing and retrieval of TM packets can be controlled on-board according to a few basic criteria (which are long-term static during nominal operation). Detailed data extraction and ordering shall be done on ground. As all TM packets are time-stamped and uniquely identified by several other means they need not to be re-formatted during the process of storing and retrieval.

Packet Stores can be defined to be circular or linear with an upper bound. For Packet Stores that are organised as circular buffers, nominal periodic clearing of the «oldest» part of a Store is not needed. In all cases data are recorded in the sequence as they arrive at the CDMS.

Type (circular or linear) of a Packet Store as well as the Virtual channel through which its content will be downlinked will be defined when the Packet Store is allocated in Solid State Mass Memory (Virtual Channel and Store Type of a Packet Store will be connected to its Store-ID). TM and TC packets to control the Mass Memory allocation of a packet store are defined at CDMS level and are part of Service 8.

Reference **5960-OBSR**

If certain TM packet Types/Subtypes are not required to be downlinked for a certain period of time, this shall be controlled by using the capabilities of Service 14 at the sources of packet generation.

*

Reference **5965-OBSR**

All TM packets that are generated on-board shall be available for downlinking, and shall be downlinked under nominal conditions unless their downlinking and/or storage as specifically been disabled using capabilities of Service 14.

*

5.15.1 Telecommand Packet Data Field Structure :

5.15.1.1 Controlling the storage in specified packet stores

The requests are :

Reference **5970-OBSR**

– **Enable Storage in Packet Stores (15,1)**

Telecommand Packet, Application Data : see Figure below

*

Reference **5980-OBSR**

– **Disable Storage in Packet Stores (15,2)**

Telecommand Packet, Application data : see Figure below

N	Store-ID	Spare
Unsigned Integer (16-bit)	Enumerated (8-bit)	8-bit

<----- Repeated N times ----->

- **N :**
The number of packet stores to be controlled. By convention, N = 0 means "all Packet Stores". In this case all Packet Stores shall be en-/disabled according to their last, or default assignment to a Store Type.
- **Store-ID :**
An on-board Packet Store is uniquely identified by a "Store-ID"., which explicitly indicates, for example, an access path to a physical on-board recording device or file.
- **Spare :** set to zero.

*

Reference **5985-OBSR**

When the CDMS receives this request, it starts or stops (depending on whether it is an "enable" or "disable" request) sending the relevant packets to the specified Packet Stores.

*

5.15.1.2 Modifying the definition of a storage selection criterion

The storage selection definition used by CDMS to send packets for storage in a given Packet Store consists of the identification of the Application Identifier, Type and Subtype of the relevant packets. It is possible to add definitions to (or remove from) a set of storage selection definitions.

The requests to modify the storage selection definition for a specified Packet Store are :

PACKET STRUCTURE INTERFACE CONTROL DOCUMENT (PSICD)

REFERENCE : SCI-PT-ICD-07527

DATE : 07-Nov-2003

ISSUE : 4.0

PAGE : 93/150

Reference **5990-OBSR**

– **Add Packet Definitions to Storage Selection Definition (15,3)**

Telecommand Packet, Application Data : see Figure below

*

Reference **6000-OBSR**

– **Remove Packet Definitions from Storage Selection Definition (15,4)**

Telecommand Packet, Application Data : see Figure below

Store-ID	Spare	N1	Application Process ID	Type	N2	Sub-Type
Enumerated (8-bit)	8-bit	Unsigned Integer (16-bit)	Enumerated (16-bit)	Enumerated (8-bit)	Unsigned Integer (16-bit)	Enumerated (8-bit)

<-----Repeated N1 times----->
Repeated N2 times

- Store-ID :
The identifier of the Packet Store in which TM packets are stored.
 - **Spare** : set to zero.
 - N1 :
The number of TM packet definitions that follow.
 - APID :
The identifier of the unit/application for which TM packets are stored.
 - Type :
A Telemetry source packet Type.
 - N2 :
The number of Subtype definitions that follow.
 - Sub-Type :
A Telemetry packet Subtype of the specified Type.
- When the CDMS receives this request :
- if **N1 = 0 and Add, TC(15,3), was commanded**, all types of TM packets from all Application Processes, which are generated on-board, are to be stored in the specified Packet Store ;
 - if **N1 = 0 and Remove, TC(15,4), was commanded**, the storing list for the specified Packet Store is cleared completely ;
 - if **N1 > 0 and N2 = 0**, the specified Type of Telemetry packet from the Application Process, covering all Subtypes, is added to (if not yet present), or removed from, the list of stored packets of the specified Packet Store (depending on the type of request) ;

- if **N1 > 0** and **N2 > 0**, the specified Subtypes of Telemetry packets from the Application Process are added to, or removed from, the list of stored packets of the specified Packet Store (depending on the type of request).

Note that if $N1 > 1$ then there may be a mixture of empty ($N2 = 0$) and non-empty arrays ($N2 > 0$).

The current content of the Packet Store is not affected by the request and, if storage is enabled, packets start or stop to be appended to the Packet Store immediately after the command is executed.

*

5.15.1.3 Reporting a storage selection definition

The request is :

Reference **6010-OBSR**

– Report Storage Selection Definition (15,5)

Telecommand Packet, Application Data :

Store ID	Spare
Enumerated 8 bits	8 bits

- **Store ID** :
The identifier of the Packet Store for which a report is requested.

- **Spare** : set to zero.

When this request is received by the CDMS, the storage selection definition for the specified Packet Store is read and a report (15,6) is generated.

*

5.15.1.4 Downlinking the contents of a packet store (for a selected packet subset)

This Telecommand serves for actually starting the downlinking of stored TM packets. The retrieval and downlinking is controllable in four different ways with this command :

- downlinking the entire contents of a selected Packet Store for a default (relative) time period, or a previously commanded period of time.
- downlinking a selected subset of a selected Packet Store for a default (relative) time period, or a previously commanded period of time.

Reference **6020-OBSR**

If no Telecommand (15,9) with a new downlink time period has been sent to the S/C after a previous retrieval session, the default downlink period shall start at the previous end time of the addressed Packet Store, and last to the time of reception of the TC(15,7) under execution.

*

PACKET STRUCTURE INTERFACE CONTROL DOCUMENT (PSICD)

REFERENCE : SCI-PT-ICD-07527

DATE : 07-Nov-2003

ISSUE : 4.0

PAGE : 95/150

Reference **6030-OBSR**

If a TM packet subset selection is commanded, this selection shall only be effective until the requested downlinking session has finished. The default condition for the subset selection shall be that all data, that are stored in a Packet Store, are downlinked later on.

*

The request is :

Reference **6040-OBSR**

– **Downlink Packet Store Contents (15,7)**

Telecommand Packet, Application Data :

Store ID	Spare	N1	Application ID	Type	N2	Sub-Type
Enumerated 8 bits	8 bits	Unsigned Integer 16 bits	Enumerated 16 bits	Enumerated 8 bits	Unsigned Integer 16 bits	Enumerated 8 bits

Repeated N2 times

<----- Repeated N1 times ----->

- Store ID :
The identifier of the Packet Store from which TM packets are to be downlinked.
- N1 :
The number of TM packet definitions that follow.
 - if **N1 = 0 (default)**, all stored TM packets for the specified Packet Store is downlinked completely, taking into consideration a previously specified Time Period TC(15,9), or a default time setting ;
 - if **N1 > 0**, the specified Types/Subtypes of Telemetry packets from the specified Application Processes shall be downlinked, taking into consideration a previously specified Time Period TC(15,9), or a default time setting.
- APID :
The identifier of the unit/application for which TM packets are downlinked.
- Type :
The associated Telemetry source packet Type.
- N2 :
The number of Subtype definitions that follow.
- Sub-Type :
The associated Telemetry packet Subtype of the specified Type.

*

PACKET STRUCTURE INTERFACE CONTROL DOCUMENT (PSICD)

REFERENCE : SCI-PT-ICD-07527

DATE : 07-Nov-2003

ISSUE : 4.0

PAGE : 96/150

Reference **6045-OBSR**

When this request is received by the CDMS, the contents of the specified Packet Store matching with the specified packet subset is downlinked.

If a certain TM packet definition has no matching entry in the list of stored TM packets for the addressed Packet Store, it shall be ignored and the downlinking of the rest of the data shall be unaffected.

*

5.15.1.5 Downlinking the contents of a packet store for a specified time period

The request is :

Reference **6050-OBSR**

– Specify Downlink Time Period (15,9)

Telecommand Packet, Application Data :

Store ID	Spare	Time Span	Storage Time 1	Storage Time 2
Enumerated 8 bits	8 bits	Enumerated 16 bits	Absolute Time 48 bits	Absolute Time 48 bits
			<---- Optional ---->	<---- Optional ---->

- Store ID :
The identifier of the Packet Store from which TM packets are to be downlinked.
- Time Span :
This indicates how the packet range is specified. If Time Span is "All" (value = 0), the full contents of the Packet Store are to be downlinked, otherwise it is the set of packets whose storage times are :
 - between Storage Time 1 and Storage Time 2 inclusive, if Time Span is "Between" (value = 1) ;
 - less than or equal to Storage Time 1 if Time Span is "Before" (value = 2) ;
 - greater than or equal to Storage Time 1 if Time Span is "After" (value = 3).
- Storage Time 1, Storage Time 2 :
The absolute time(s) defining the boundary(ies) of the range of packets to be downlinked. Storage Time 1 is present if Time Span is not "All". Storage Time 2 is present if Time Span is "Between".

*

Reference **6055-OBSR**

When this request is received by the CDMS, the time period for the next packet retrieval from Packet Stores shall be set (different from the default setting). When the downlinking is actually started by executing a Telecommand (15,7) the CDMS downlinks the contents of the specified Packet Store falling within the specified time period. Whatever the value of Time Span, the retrieval ends at the latest when the last packet stored at the time of reception of the request has been downlinked.

After completion of execution of the packet retrieval the **downlink time period** shall be set to its **default values**, i.e. the next packet retrieval starts where the last retrieval has ended.

*

5.15.1.6 Deleting the contents of specified packet stores up to a specified storage time

The request is :

Reference **6060-OBSR**

– Delete Packet Stores Contents up to Specified Storage Time (15,11)

Telecommand Packet, Application Data :

End Time	N	Store ID
Absolute Time 48 bits	Unsigned Integer 16 bits	Enumerated 16 bits

<---- Repeated N times ---->

- End Time :
The absolute time defining the upper boundary (inclusive) of the packet range to be deleted.
- N :
The parameter defines the number of Packet Stores. By convention, N = 0 means "All Packet Stores".
- Store ID :
The identifier of the Packet Store from which TM packets are to be deleted. MSOctet : Store ID, LSOctet : set to Zero.

*

Reference **6065-OBSR**

When this request is received by the CDMS, the packets in the specified Packet Stores (all Packet Stores if N = 0), which have a storage time earlier than or equal to the specified time, are deleted. The deletion ends at the latest when the last packets stored at the time of reception of the request have been deleted.

While deletion from a Packet Store is in progress, the storage operation of arriving packets shall not be interrupted.

*

5.15.1.7 Reporting packet store catalogues

The request to report the catalogues of selected Packet Stores is :

Reference **6070-OBSR**

– Report Catalogues for Selected Packet Stores (15,12)

Telecommand Packet, Application Data :

PACKET STRUCTURE INTERFACE CONTROL DOCUMENT (PSICD)

REFERENCE : SCI-PT-ICD-07527

DATE : 07-Nov-2003

ISSUE : 4.0

PAGE : 98/150

N	Store ID	Spare
Unsigned Integer 16 bits	Enumerated 8 bits	8 bits

<----- Repeated N times ----->

- **N** :
The number of packet stores whose catalogues are to be reported. By convention, N = 0 means "all Packet Stores".
- **Store ID** :
The identifier of the Packet Store for which a report is generated.
- **Spare** : set to Zero.

When this request is received by the CDMS, the catalogues for the specified Packet Stores are reported with TM(15,13).

*

5.15.2 Telemetry Packet Data Field Structure :

As TM packets, that are retrieved from the Packet Stores, are downlinked to ground without any further modification via one or several dedicated Virtual Channels , there is no need for the definition of an encapsulating TM packet, which belongs to Service 15.

The CDMS has no control over the TM packets that are actually generated by other units/applications (and then stored in one of the Packet Stores). This process may be non-continuous for certain TM packet Types. Therefore only setup parameters and global parameters about Packet Store utilisation are reported.

5.15.2.1 Reporting the Storage Selection Definition (15,6)

The format of this report is :

Reference **6080-OBSR**

– Storage Selection Definition Report (15,6)

Telemetry Source Packet, Source Data :

Store-ID	Store-Type	Virtual-Channel
Enumerated (8-bit)	Enumerated (4-bit)	Enumerated (4-bit)

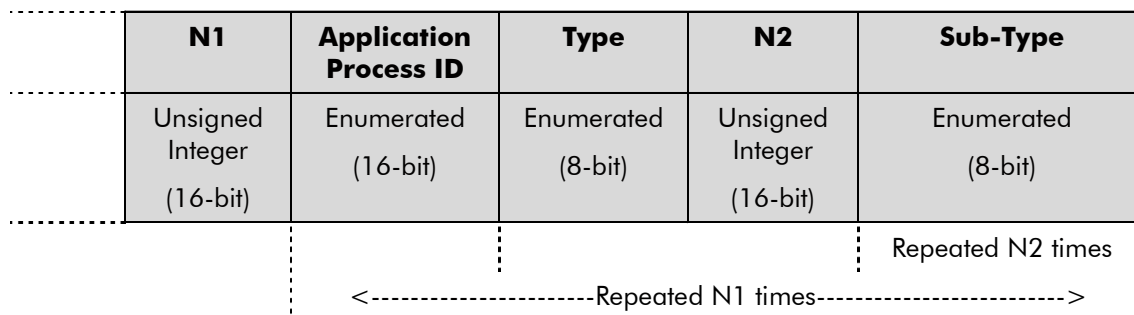
PACKET STRUCTURE INTERFACE CONTROL DOCUMENT (PSICD)

REFERENCE : SCI-PT-ICD-07527

DATE : 07-Nov-2003

ISSUE : 4.0

PAGE : 99/150



- Store ID :
The identifier of the Packet Store for which a report is generated.
- Store-Type :
The Store Type parameter determines whether the associated buffer is cyclic or bounded, linear (Stop at End).
 - Store Type = Zero : cyclic buffer,
 - Store Type = One : linear bounded buffer
 Store Type of a Packet Store is connected to its Store-ID at packet store allocation using the CDMS dedicated Service 8 function.
- Virtual Channel :
Virtual channel through which the Packet Store contents will be downlinked.
Virtual Channel of a Packet Store is connected to its Store-ID at packet store allocation using the CDMS dedicated Service 8 function.
- N1 :
The number of TM packet definitions that follow.
- APID :
The identifier of the unit/application for which TM packets are stored.
- Type :
The Telemetry source packet Type which is stored for the specified APID.
- N2 :
The number of Subtype definitions that follow.
- Sub-Type :
A Telemetry packet Subtype of the specified Type

*

5.15.2.2 Reporting the Packet Store Catalogue, (15,13)

The format of this report is :

Reference **6090-OBSR**

– Packet Store Catalogue Report (15,13)

Telemetry Source Packet, Source Data :

PACKET STRUCTURE INTERFACE CONTROL DOCUMENT (PSICD)

REFERENCE : SCI-PT-ICD-07527

DATE : 07-Nov-2003

ISSUE : 4.0 PAGE : 100/150

N	Store ID	Store Type	Storage Time 1
Unsigned Integer 16 bits	Enumerated 8 bits	Enumerated 8 bits	Absolute Time 48 bits

<----- Repeated N times ----->

Storage Time 2	No. of Octets Stored	No. of Octets Downlinked
Absolute Time 48 bits	Unsigned Integer 32 bits	Unsigned Integer 32 bits

----- Repeated N times (cont'd) ----->

- N :
The number of Packet Stores for which the catalogue information is reported.
- Store ID :
The identifier of the Packet Store for which a report is generated.
- Store Type :
The Store Type parameter determines whether the associated buffer is cyclic or bounded, linear (Stop at End).
 - Store Type = Zero : cyclic buffer,
 - Store Type = One : linear bounded buffer
- Storage Time 1, Storage Time 2 :
The interval in absolute time for which Packet Store Catalogue is reported.
- No. of Octets Stored :
The total number of octets stored in the Packet Store.
- No. of Octets Downlinked :
The number of octets stored in the Packet Store that have already been downlinked.

*

5.16 Service Type 16 : On-board Traffic Management :

For the TM / TC Packet Service 16 no specific packet data structures are defined.

Reference **6095-OBTM**

The CDMS shall generate the appropriate **Event Packets** in order to report anomalies of the TM / TC Packet routing and distribution functions. Control over the generation and transmission of individual packets is executed by utilising Service 14.

*

5.17 Service Type 17 : Test Service

A generic test for all on-board users is an end-to-end "connection test" between the ground/ CDMS and the Application Process.

The function exercised by this Test Service Request is the generation of a corresponding one-shot Service Report by the Application Process. The reception on the ground of the Service Report will serve to confirm that the routes (uplink and downlink) between itself and the Application Process are operational and that the Application Process itself is performing a minimum set of functions (which includes Telecommand processing).

5.17.1 Telecommand Packet Data Field Structure :

Reference **6100-FTS**

The request to perform an end-to-end connection test is :

– **Perform Connection Test (17,1)**

Telecommand Packet, Application Data : **None**

*

5.17.2 Telemetry Packet Data Field Structure :

Reference **6110-FTS**

On successful receipt of a Telecommand of type TC(17,1), the Application shall respond with a nominal Successful Command Acceptance report, TM(1,1), **and then with a Link Connection Report, TM(17,2).**

*

Reference **6120-FTS**

deleted

*

On unsuccessful receipt of a Telecommand of type TC(17,1), the Application will respond with a **Failure Command Acceptance Report, TM(1,2).**

Reference **6130-FTS**

– **Link Connection Report (17,2)**

Telemetry source packet, source data : **None.**

*

5.18 Service Type 18 : On-board Control Procedures

On-Board Control Procedures (OBCPs) are flight procedures, which are resident on-board of the Herschel or Planck satellite. After activation they are interpreted and executed in the on-board system, e.g. the CDMS, the ACC, and potentially other intelligent on-board users, like instrument control units. They serve for controlling processes, which may be active for an extended period of time and which may involve the (conditional) execution of a (longer) sequence of commands. These on-board Telecommands may affect one or several application processes or functions. More than one on-board unit may be involved.

PACKET STRUCTURE INTERFACE CONTROL DOCUMENT (PSICD)

REFERENCE : SCI-PT-ICD-07527

DATE : 07-Nov-2003

ISSUE : 4.0 PAGE : 102/150

Reference **6135-CPM**

The TC-Packets released by an OBCP during execution carry a Sequence Count and a CRC-field, which must be incremented or modified each time this TC is released in order to represent the actual TC-Sequence Count.

*

When these TCs are reported in TM(1,9) the last values (i.e. : the one they had at release time) of Sequence Count and CRC-field shall be reported.

In order to retain predictable and robust behaviour of the spacecraft and its systems the number of OBCPs shall be kept to a minimum, and the internal structure of each OBCP must be kept simple.

Reference **6140-CPM**

OBCPs have to comply with the same requirements on structure, syntax, operability, and maintainability. Further details are specified via the Herschel/ Planck OIRD, AD 3, and the Herschel/ Planck CDMU ASW Requirement Spec, RD-6.

*

5.18.1 Telecommand Packet Data Field Structure :

5.18.1.1 Loading a procedure

Reference **6150-CPM**

The request is :

- **Load Procedure (18,1)**

Telecommand Packet, Application Data :

Procedure ID	Segment-ID	Length	Procedure Code
Enumerated 16 bits	Unsigned Integer 8 bits	Unsigned Integer 8 bits	Variable OctetString N * 16 bits

- Procedure ID :

The unique identification of the On-Board Control Procedure that is being loaded.

- Segment-Identifier :

As a new OBCP may contain more code than can be loaded with a single TC-packet, it has to be loaded by a sequence of TC-packets, each of them identified by a unique Segment-Identifier and carrying a segment of the overall OBCP code.

If the to be loaded OBCP is divided into K Segments, the Segment-ID shall always start with 1, and be incremented one by one up to K for the last segment of the new OBCP (allowed range : 1 to 254). After transmission of K Telecommands a TC-(18,1) shall be sent with Segment_ID set to FFhex, and Length set to zero.

If a new OBCP is loaded with a single TC-packet only, the Segment-ID shall be set to zero.

- Length :

The length (**in octets**) of the procedure code that follows. With each TC(18,1) a maximum of 232 octets (116 * 16 bits) can be loaded for the definition of a new OBCP.

- Procedure Code :
The code of the procedure (in increasing order of octet).

*

Reference **6155-CPM**

When this request is received, the addressed unit shall store the procedure code, and updates its list of loaded on-board procedures accordingly. If the Procedure ID is the same as a procedure currently in the list, the procedure just loaded **replaces** the one that was previously loaded. The status of the loaded procedure is set to «stopped».

After a completed (Re-)Load a Confirmation of Execution (1,7) shall be generated, or a TM(1,8) in case of a failure.

*

5.18.1.2 Deleting a procedure

The request is :

Reference **6160-CPM**

– Delete Procedure (18,2)

Telecommand Packet, Application Data :

Procedure ID
Enumerated
16 bits

*

Reference **6165-CPM**

When this request is received, the specified on-board procedure is deleted from the list of loaded on-board procedures and the area occupied by the procedure code is cleared.

The request is ignored if the procedure status is "active" or «suspended».

*

5.18.1.3 Starting a procedure

Reference **6170-CPM**

The request is :

– Start Procedure (18,3)

Telecommand Packet, Application Data :

PACKET STRUCTURE INTERFACE CONTROL DOCUMENT (PSICD)

REFERENCE : SCI-PT-ICD-07527

DATE : 07-Nov-2003

ISSUE : 4.0 PAGE : 104/150

Procedure-ID	N1	OBCP-PID	Value	N2	OBCP-PID	Value
Enumerated (16-bit)	Unsigned Integer (16-bit)	Enumerated (16-bit)	Unsigned Integer (32-bit)	Unsigned Integer (16-bit)	Enumerated (16-bit)	Unsigned Integer (64-bit)

<--- Repeated N1 times --->

<---- Repeated N2 times ---->

<----- Optional ----->

- Procedure-ID :
The unique identification of the On-Board Control Procedure that is started.
- N1 :
The number of couplets of OBCP parameter identifiers (OBCP-PID) and 32-bit long OBCP parameter values which follow. If N1 = zero, no 32-bit long OBCP parameter is sent together with the Start-Telecommand.
- N2 :
The number of couplets of OBCP parameter identifiers (OBCP-PID) and 64-bit long OBCP parameter values which follow. If no 64-bit long OBCP parameter is sent together with the Start-Telecommand, N2 can be omitted or set to zero.
- OBCP-PID :
The identification of the parameter whose value follows.
- Value :
The value of the corresponding parameter.

*

Reference **6175-CPM**

When this request is received, the specified on-board procedure is started using (or passing) the specified activation parameters. The procedure status is then «active». The parameters are used to configure the specific instance of execution of an on-board procedure.

The request is ignored if the status of the procedure was "active" or «suspended».

The verification of execution of this «start procedure» request must be reported by using the standard reports of the Telecommand Verification Service (Type 1). For the reporting of the progress of execution of the procedure TC Verification packets or Event packets may be involved.

*

5.18.1.4 Stopping a procedure

The request is :

Reference **6180-CPM**

– **Stop Procedure (18,4)**

Telecommand Packet, Application Data :

Procedure ID
Enumerated 16 bits

*

Reference **6185-CPM**

When this request is received, the specified on-board procedure is stopped. The procedure status is then "stopped".

The request is ignored if the procedure already has the "stopped" status.

*

5.18.1.5 Suspend a procedure

The request is :

Reference **6190-CPM**

– Suspend Procedure (18,5)

Telecommand Packet, Application Data :

Procedure ID	Step ID
Enumerated 16 bits	Enumerated 16 bits
	Optional

- Procedure ID :
The unique identification of the On-Board Control Procedure that is being suspended.
- Step ID :
The Step ID indicates a user-specific step at the completion of which the procedure shall be suspended.

*

Reference **6195-CPM**

When this request is received, the specified on-board procedure is suspended at the completion of the indicated step. The procedure status is then "suspended".

If the OBCP does not enter the «suspended» state (after a specific period of time) an error message shall be generated.

The request is ignored if the procedure status was "stopped" or «suspended».

*

5.18.1.6 Resume a procedure

The request is :

PACKET STRUCTURE INTERFACE CONTROL DOCUMENT (PSICD)

REFERENCE : SCI-PT-ICD-07527

DATE : 07-Nov-2003

ISSUE : 4.0 PAGE : 106/150

Reference **6200-CPM**

– **Resume Procedure (18,6)**

Telecommand Packet, Application Data :

Procedure ID
Enumerated
16 bits

*

Reference **6205-CPM**

When this request is received, the specified on-board procedure is resumed after the step where it was previously suspended. The procedure status is then "active".

The request is ignored if the procedure status was "stopped" or «active».

*

5.18.1.7 Communicate parameters to a procedure

When this request is received, new parameter values are handed over to the OBCP, which replace previous or default values of parameters. The status of the OBCP is unchanged. If a certain OBCP does not need to be provided with new parameter values, TC(18,7) can be omitted.

Reference **6210-CPM**

If the status of an OBCP is «**active**» it shall be possible to load parameters by executing TC(18,7), and have them accepted immediately without changing the status.

*

Reference **6220-CPM**

If the status of the OBCP is «**stopped**» or «**suspended**», the new parameter values shall be stored. In a second step, the reception of a Start OBCP TC(18.3), or Resume OBCP TC(18,6) Telecommand, these parameters shall replace any old or default parameter values, and the status of the OBCP shall change to «active».

*

The request is :

Reference **6230-CPM**

– **Communicate Parameters to a Procedure (18,7)**

Telecommand Packet, Application Data :

PACKET STRUCTURE INTERFACE CONTROL DOCUMENT (PSICD)

REFERENCE : SCI-PT-ICD-07527

DATE : 07-Nov-2003

ISSUE : 4.0

PAGE : 107/150

Procedure-ID	N1	OBCP-PID	Value	N2	OBCP-PID	Value
Enumerated (16-bit)	Unsigned Integer (16-bit)	Enumerated (16-bit)	Unsigned Integer (32-bit)	Unsigned Integer (16-bit)	Enumerated (16-bit)	Unsigned Integer (64-bit)
		<--- Repeated N1 times --->				<--- Repeated N2 times --->
				<----- Optional ----->		

- Procedure-ID :
The unique identification of the On-Board Control Procedure for which parameters are being loaded.
- N1 :
The number of couplets of OBCP parameter identifiers (OBCP-PID) and 32-bit long OBCP parameter values which follow. If N1 = zero, no 32-bit long OBCP parameter is sent together with the Communicate Parameters Telecommand.
- N2 :
The number of couplets of OBCP parameter identifiers (OBCP-PID) and 64-bit long OBCP parameter values which follow. If no 64-bit long OBCP parameter is sent together with the Communicate Parameters Telecommand, N2 can be omitted or set to zero.
- OBCP-PID :
The identification of the parameter whose value follows.
- Value :
The value of the corresponding parameter.

*

5.18.1.8 Requesting the list of on-board operations procedures

Reference **6240-CPM**

The request is :

- **Report List of On-board Control Procedures (18,8)**

Telecommand Packet, Application Data : **None**

When this request is received, a report Type (18,9) is generated.

*

5.18.1.9 Requesting the list of active on-board operations procedures

Reference **6250-CPM**

The request is :

- **Report List of Active On-board Control Procedures (18,10)**

Telecommand Packet, Application Data : **None**

*

Reference **6255-CPM**

When this request is received, a report Type (18,11) is generated

*

5.18.1.10 Reporting OBCP Status and Parameters

Reference **6260-CPM**

The request is :

- **Report OBCP Status (18,12)**

Telecommand Packet, Application Data :

Procedure ID
Enumerated
16 bits

- Procedure ID :

The Procedure ID, together with the Application ID in the packet header determines the OBCP for which the status is requested.

*

Reference **6265-CPM**

When this request is received, the on-board Application Process reports the **actual status** of the specified OBCP.

*

5.18.1.11 Requesting the Dumping of an OBCP

Reference **6270-CPM**

The request is :

- **Dump OBCP Contents (18,14)**

Telecommand Packet, Application Data :

Procedure ID
Enumerated
16 bits

- Procedure ID :

The Procedure ID, together with the Application ID in the packet header determines the OBCP for which a dump is requested.

*

Reference **6275-CPM**

When this request is received, the on-board Application Process shall prepare one or more TM-Reports (18,15) of the specified OBCP. After completion of the dumping a Successful Execution Report TM(1,7) shall be generated.

*

5.18.2 Telemetry Packet Data Field Structure :

5.18.2.1 Reporting the list of on-board control procedures :

Reference **6280-CPM**

– On-board Control Procedures List Report (18,9)

Telemetry Source Packet, Source Data :

N	Procedure ID
Unsigned Integer 16 bits	Enumerated 16 bits

<---Repeated N times--->

- N :
The number of procedures loaded on-board that follow.
- Procedure ID :
The unique identification of the On-Board Control Procedure that is being reported.

*

5.18.2.2 Reporting the list of active on-board control procedures

Reference **6290-CPM**

– Active On-board Control Procedures List Report (18,11)

Telemetry Source Packet, Source Data :

N	Procedure ID
Unsigned Integer 16 bits	Enumerated 16 bits

- N :
The number of active on-board procedures that follow.
- Procedure ID :
The unique identification of the active On-Board Control Procedure that is being reported.

*

5.18.2.3 OBCP Status Report

Reference **6300-CPM**

– OBCP Status Report(18,13)

Telemetry Packet, Source Data :

Procedure-ID	Step-ID	N	OBCP-PID	Value
Enumerated (16-bit)	Enumerated (16-bit)	Unsigned Integer (16-bit)	Enumerated (16-bit)	Deduced

<----- Repeated N times ----->

<----- Optional ----->

- Procedure-ID :
The unique identification of the On-Board Control Procedure for which the status is being reported.
- Step-ID :
The Step ID shall provide information about the actual execution step together with the status of the OBCP (active, suspended, stopped).
- N :
The number of couplets of OBCP parameter identifiers (OBCP-PID) and OBCP parameter values which follow. If no OBCP parameter are reported (i.e. : the reported OBCP handles no parameter), N can be omitted or set to zero.
- OBCP-PID :
The identification of the parameter whose value follows.

The identified OBCP parameter can be either 32-bit or 64-bit long. The OBCP-PID implicitly indicates the length (and type) of parameter whose value follows.
- Value :

The value of the corresponding parameter that has been handed over to the OBCP by the most recent TC(18,3) or TC(18,7).

*

Reference **6305-CPM**

This Telemetry Report shall return the last set of parameter values, which have been handed over to the OBCP (by a TC(18,3) or TC(18,7)). Additionally, the Step ID field shall provide information about the **actual execution status of the OBCP**.

*

5.18.2.4 Dumping the Copy of a Procedure

Reference **6310-CPM**

The report is :

- **OBCP Contents Report (18,15)**

Telemetry Packet, Application Data :

Procedure ID	Segment-ID	Length	Procedure Code
Enumerated 16 bits	Unsigned Integer 8 bits	Unsigned Integer 8 bits	Variable OctetString N * 16 bits

- Procedure ID :
The unique identification of the On-Board Control Procedure that is being dumped.
- Segment-Identifier :
If the length of an OBCP code allows its reporting with a single TM-packet (18,15), the Segment-Identifier shall be set to zero.
If the length of an OBCP code requires, for its reporting, a sequence of TM-packets, each of them shall be identified by a unique Segment-Identifier and shall carry a segment of the overall OBCP code.
If the to be dumped OBCP is divided into K Segments, the Segment-ID shall always start with 1, and be incremented up to K (allowed range : 1 to 254).
After transmission of the K TM-packets a TM(18,15) shall be sent with Segment_ID set to FFhex, and Length set to zero.
- Length :
The length (**in octets**) of the procedure code that follows.
- Procedure Code :
The code of the procedure (in increasing order of octets).

*

5.19 Service Type 19 : Event / Action Service

Reference **6380-EVNT**

The Event / Action Service, implemented in the CDMS, shall maintain a list of events to be detected, which contains the following information :

- Application Process ID generating the event report ;
- Event ID ;
- Associated action (Telecommand Packet) ;
- Status of the action - enabled or disabled.

*

Reference **6400-EVNT**

On reception of an event report of Type/Subtype (5,2) and (5,1), the CDMS (optionally ACMS) shall scan the detection list and if a matching Event Report is detected and the associated action is enabled, the corresponding Telecommand packet is sent to the destination Application Process.

*

Severe events, which are classified as errors/alarms, Type (5,4), should either be covered by an action, which was triggered by an event of type (5,2) already, or are so unpredictable in nature that no autonomous on-board activity can be initiated.

Reference **6410-EVNT**

The TC-Packets representing the actions carry a Sequence Count and a CRC-field, which must be incremented or modified each time this TC is released in order to represent the actual TC-Sequence Count.

*

Reference **6415-EVNT**

When these action-TCs are reported in TM(19,7) the stored values of Sequence Count and CRC-field (typically the value when loaded by TC(19,1)) shall be reported.

*

When these action-TCs are reported in TM(1,9) the last values (i.e. : the one they had at release time) of Sequence Count and CRC-field shall be reported.

In **exceptional cases**, the Event/Action List may be modified by adding or deleting events or activating / deactivating related actions. The related Telecommands may have mission-wide implications and have therefore to be classified as hazardous.

5.19.1 Telecommand Packet Data Field Structure :

5.19.1.1 Adding events to the detection list

Reference **6420-EVNT**

The request is :

- **Add Events to the Detection List (19,1)**

Telecommand Packet, Application Data :

Application Process ID	Event ID	Telecommand Packet
Enumerated 16 bits	Enumerated 16 bits	Variable OctetString

- Application Process ID :
The identifier of the Application Process generating this event report (TM packet type (5,1) or (5,2)).
- Event ID :
The Event ID, together with the Application Process ID and TM-Packet type, which is always 5 for this service, identifies unambiguously the event, which is reported, (and the presence, structure and interpretation of the associated parameter field). Events of different subtype have different Structure IDs.
- Telecommand Packet :
The action to be taken (i.e. Telecommand to be sent) when this event report is detected.

*

Reference **6430-EVNT**

When this request is received, the event is added to the detection list, the corresponding Action, i.e. the Telecommand delivered with a TC(19,1) is stored in the Action-Store, and the corresponding action status is set to «disabled». If a given event is already in the detection list, the Action **replaces** the existing one, providing that the current Action status is «disabled». Otherwise, the request to replace that event results in a corresponding error report (Telecommand execution failure, type (1,8)).

Note that the actual size of Action-Telecommands is limited to 232 octets (220 octets for the data field) because the data space available to end-users is reduced by the control parameters.

*

5.19.1.2 Deleting events from the detection list

Reference **6440-EVNT**

The request is :

- **Delete Events from the Detection List (19,2)**

Telecommand Packet, Application Data :

Application Process ID	Event ID
Enumerated 16 bits	Enumerated 16 bits

- Application Process ID, Event ID :
as for TM packet type (19,1)

PACKET STRUCTURE INTERFACE CONTROL DOCUMENT (PSICD)

REFERENCE : SCI-PT-ICD-07527

DATE : 07-Nov-2003

ISSUE : 4.0 PAGE : 114/150

*

Reference **6445-EVNT**

When this request is received, the indicated event and its associated Action-Telecommand is deleted from the detection list, provided that the current action status is «disabled». Otherwise, the corresponding error report must be generated.

*

5.19.1.3 Clearing the event detection list

Reference **6450-EVNT**

The request is :

- **Clear the Event Detection List (19,3)**

Telecommand Packet, Application Data : **None**

When this request is received, all entries in the detection list are cleared.

*

5.19.1.4 Controlling the actions associated with events

Reference **6460-EVNT**

The requests are :

- **Enable Actions (19,4)**

Telecommand Packet, Application Data :

*

Reference **6470-EVNT**

- **Disable Actions (19,5)**

Telecommand Packet, Application Data :

Application Process ID	Event ID
Enumerated 16 bits	Enumerated 16 bits

- Application Process ID, Event ID :
as for TM packet type (19,1)

*

Reference **6475-EVNT**

When this request is received, the Action-Telecommand associated with the corresponding event shall be enabled/disabled.

An error is flagged if an event, whose action is requested for enabling/disabling, is not in the detection list. Changing the enable/disable status of an action shall be executed irrespective of the previous state of the action.

*

5.19.1.5 Reporting the event detection list

The request is :

Reference **6480-EVNT**

– Report the Event Detection List (19,6)

Telecommand Packet, Application Data : **None**

When this request is received, a report of type (19,7) is generated.

*

5.19.2 Telemetry Packet Data Field Structure :

5.19.2.1 Report of the event detection list

Reference **6490-EVNT**

– Event Detection List Report (19,7)

Telemetry Source Packet, Source Data :

N	Application Process ID	Event ID	Action Status	Telecommand Packet
Unsigned Integer 16 bits	Enumerated 16 bits	Enumerated 16 bits	Enumerated 16 bits	Variable OctetString

<----- Repeated N times ----->

- N :
The number of events in the event detection list.
- Application Process ID, Event ID :
as for TM packet type (19,1)
- Action Status :
This indicates the status of the action associated with the event, as follows:
Value = 0 (Disabled), Value = 1 (Enabled).
- Telecommand Packet :
The action to be taken (i.e. Telecommand to be sent) when this event report is detected.

*

5.20 Service Type 20 : Information Distribution Service

not used

5.20.1 Telecommand Packet Data Field Structure :

5.20.1.1 Controlling the on-board distribution of Telecommand packets

Reference **6500-INFO**

deleted

*

Reference **6510-INFO**

deleted

*

Reference **6515-INFO**

deleted

*

5.20.1.2 Reporting the list of distributed Information TC packets

Reference **6520-INFO**

deleted

*

5.20.1.3 Distributing Information Telecommands

Reference **6530-INFO**

deleted

*

5.20.2 Telemetry Packet Data Field Structure :

Reference **6540-INFO**

deleted

*

5.21 Service Type 21 : Science Data Transfer

This section defines the telemetry packet structures for Science Data. Instrument HK and status data are covered by Telemetry packets of type/subtype TM(3,25) and TM (3,26).

In order to avoid an unnecessarily large number of Application IDs for a single instrument several subtypes of Science TM packets are introduced. These subtypes should be used to identify groups of scientific data of significantly different character or origin (e.g. different detectors). Each subtype can make use of several structure definitions. The individual naming of the Science TM packets can be chosen by the instruments, the number of allowed subtypes is TBC.

5.21.1 Telecommand Packet Data Field Structure :

not applicable

5.21.2 Telemetry Packet Data Field Structure :

5.21.2.1 Reporting Scientific Data

The report packets of the values of a set of scientific parameters are :

Reference **6600-INFO**

– **Nominal Science Data Report (21,1)**

Telemetry Source Packet, Source Data : see Figure below

*

Reference **6620-INFO**

– **Science Type B Data Report (21,2)**

Telemetry Source Packet, Source Data : see Figure below

*

Reference **6640-INFO**

– **Diagnostic Science Report (21,3)**

Telemetry Source Packet, Source Data : see Figure below

*

Reference **6660-INFO**

– **Auxiliary Science Data Report (21,4)**

Telemetry Source Packet, Source Data : see Figure below

SID	Parameters
Enumerated 16 bits	Any

PACKET STRUCTURE INTERFACE CONTROL DOCUMENT (PSICD)

REFERENCE : SCI-PT-ICD-07527

DATE : 07-Nov-2003

ISSUE : 4.0

PAGE : 118/150

- SID :

The SID, together with the Application Process ID and the nature of the packet (packet type / subtype) implicitly identifies the structure of the parameter field. Details are to be found in the respective Instrument User Manuals.

- Parameters :

This field consists of a sequence of values of instrument (science) parameters that are sampled or prepared once per collection interval followed by a sequence of fixed-length arrays of records.

The only authorised parameter types are those described in Appendix 6.

*

5.22 Service Type 22 : Context Saving Service

not used

5.22.1 Telecommand Packet Data Field Structure :

not applicable

5.22.2 Telemetry Packet Data Field Structure :

not applicable

APPENDIX 1: CONVENTIONS

A1-1 Bit Numbering Conventions

Reference **1000-A1**

The following convention shall be used to identify each bit in an N-bit field :

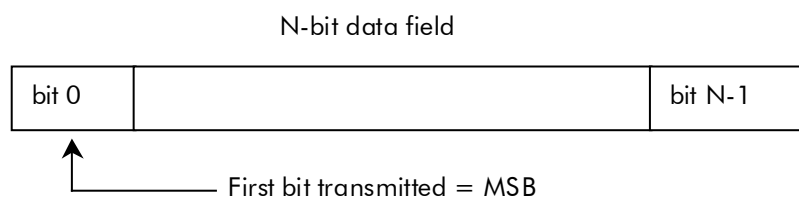


Figure A1.1: Bit Numbering

- 1) The first bit in the field (starting from the left) is defined to be «Bit 0» and will be represented as the left most justified bit in a figure. The next bit is called «Bit 1», and so on, up to «Bit N-1», the bits being represented in this order from left to right in a figure.
- 2) If the N-Bit field is to be interpreted as «Unsigned Integer» value, Bit 0 is the MSB and Bit N-1 is the LSB.
- 3) If the N-Bit field is to be interpreted as «Signed Integer» value, Bit 0 indicates the sign with Bit 0 = 0 corresponding to a positive number and Bit 0 = 1 corresponding to a negative number.
- 4) Adjacent groups of bits are described in terms of octets and words.
- 5) Octet = 1 byte = 8 bits (1 word = 2 octets = 16 bits).

*

A1-2 Field Alignment Conventions

Reference **1020-A1**

The following convention shall be used to construct packet parameter fields :

- 1) Parameters with a length longer or equal 16 bits shall be word aligned, i.e. the LSB shall coincide with the word boundary.
- 2) Parameters with a length shorter than 16 bits shall not be allowed to span over word boundaries.
- 3) Parameters with a length shorter than 16 bits shall be right-adjusted within the occupied 16-bit word, leaving any required padding-bits in the most significant bits of the 16-bit word.
- 4) If more than one parameter is held in a single word the parameters shall be right adjusted.

*

A1-3 Packet Numbering Conventions

PACKET STRUCTURE INTERFACE CONTROL DOCUMENT (PSICD)

REFERENCE : SCI-PT-ICD-07527

DATE : 07-Nov-2003

ISSUE : 4.0

PAGE : 120/150

Reference **1040-A1**

Packet class and function is provided by packet type and packet subtype, included in the data field header of the packet.

The Packet Type numbering scheme is devised to provide correlation between TC packets and the resulting TM packets and is therefore non-contiguous : there are cases where for a certain TC type, there is no corresponding TM type. Appendix 2 provides a complete cross-reference table down to sub-type level.

To make identification simpler, service type and subtype are represented by two numbers, separated by a comma, for example, TC (1,1) is a Telecommand packet type 1, subtype 1 and TM (1,2) is a telemetry packet type 1, subtype 2. Subtype numbers within a service shall be unique.

*

PACKET STRUCTURE INTERFACE CONTROL DOCUMENT (PSICD)

REFERENCE : SCI-PT-ICD-07527

DATE : 07-Nov-2003

ISSUE : 4.0 PAGE : 121/150

APPENDIX 2: TM/ TC PACKET TYPES AND SUBTYPES FOR HERSCHEL/ PLANCK

Reference **1100-A2**

deleted

*

Here after **Table A-2.1** presents the TM/ TC Packet Types/Subtypes used by the subsystem or instrument to support the Services specified in this document.

This **Table A-2.1** reflects the subsystem or instrument implementation as described in the available documentation at date of the present PS-ICD issue. Therefore it shall be considered as preliminary information. In particular, the shadowed cells point-out topic that must be consolidated.

More specific details are given in the User Manual for these units.

PACKET STRUCTURE INTERFACE CONTROL DOCUMENT (PSICD)

REFERENCE : SCI-PT-ICD-07527

DATE : 07-Nov-2003

ISSUE : 4.0

PAGE : 122/150

TC-Pckt ST/SST	TM-Pckt ST/SST	TM/TC Packet Name	USED BY							
			CDMS	ACMS	HIFI	PACS	SPIRE	HFI	LFI	SCS
	TM(1,1)	Telecommand Acceptance Report – Success	YES	YES	YES	YES	YES	YES	YES	YES
	TM(1,2)	Telecommand Acceptance Report – Failure	YES	YES	YES	YES	YES	YES	YES	YES
	TM(1,3)	Telecommand Execution Report – Started	YES	YES		YES	YES			
	TM(1,5)	Telecommand Execution Report – Progress	YES	YES			YES			
	TM(1,7)	Telecommand Execution Report – Completed	YES	YES		YES	YES	YES	YES	
	TM(1,8)	Telecommand Execution Report – Failure	YES	YES	YES	YES	YES	YES	YES	
	TM(1,9)	Telecommand Contents Report	YES	YES						
TC(2,1)		Distribute Pulse Commands	YES	YES						
TC(2,2)		Distribute Register Load Commands	YES	YES						
TC(2,3)		Standard Distribute CPDU Commands	YES							
		HP specific Distribute CPDU Commands	YES	YES						
TC(3,1)		Define New HK Parameter Report	YES	YES						
TC(3,2)		Define New Diagnostic Parameter Report	YES	YES						
TC(3,3)		Clear HK Parameter Report Definitions	YES	YES						
TC(3,4)		Clear Diagnostic Parameter Report Definitions	YES	YES						
TC(3,9)		Report HK Parameter Report Definitions	YES	YES						
	TM(3,10)	HK Parameter Report Definitions Report	YES	YES						
TC(3,11)		Report Diagnostic Parameter Report Definitions	YES	YES						
	TM(3,12)	Diagnostic Parameter Definitions Report	YES	YES						
	TM(3,25)	Essential Housekeeping Parameter Report	YES	YES	YES	YES	YES	YES	YES	YES
		Non-Essential Housekeeping Parameter Report	YES	YES	YES	YES	YES	YES	YES	YES
	TM(3,26)	Diagnostic Parameter Report	YES	YES				YES	YES	
	TM(5,1)	Event Report	YES	YES	YES	YES	YES	YES	YES	YES
	TM(5,2)	Exception Report	YES	YES	YES	YES	YES	YES	TBC	YES
	TM(5,4)	Error/Alarm Report	YES	YES	YES	YES	YES	YES		YES

PACKET STRUCTURE INTERFACE CONTROL DOCUMENT (PSICD)

REFERENCE : SCI-PT-ICD-07527

DATE : 07-Nov-2003

ISSUE : 4.0

PAGE : 123/150

TC-Pckt ST/SST	TM-Pckt ST/SST	TM/TC Packet Name	USED BY							
			CDMS	ACMS	HIFI	PACS	SPIRE	HFI	LFI	SCS
TC(6,2)		Load Memory Using Absolute Addresses	YES	YES	YES	YES	YES	YES	YES	YES
TC(6,5)		Dump Memory Using Absolute Addresses	YES	YES	YES	YES	YES	YES	YES	YES
	TM(6,6)	Memory Dump, Absolute Addresses	YES	YES	YES	YES	YES	YES	YES	YES
TC(6,9)		Check Memory Using Absolute Addresses	YES	YES	YES	YES	YES	YES	YES	YES
	TM(6,10)	Memory Check Report, Absolute Addresses	YES	YES	YES	YES	YES	YES	YES	YES
TC(6,11)		Abort Current Memory dump	YES	YES	TBD	TBD	TBD	TBD	TBD	TBD
TC(8,1)		Start Function	YES	YES	YES		YES		YES	YES
TC(8,2)		Stop Function	YES	YES	YES		YES		YES	YES
TC(8,4)		Perform Activity of Function	YES	YES	YES	YES	YES	YES	YES	
TC(8,5)		Report Function Status	YES	YES			YES		YES	
	TM(8,6)	Function Status Report	YES	YES			YES		YES	
	TM(8,7)	SREM Data Report	YES							
	TM(8,8)	VMC Data Report	YES							
	TM(8,9)	Mass Memory Dump Report	YES							
TC(9,3)		Synchronise User	YES							
TC(9,4)		Enable Time Synchronisation						YES	YES	YES
TC(9,5)		Time Code							YES	YES
TC(9,6)		Verify User Time	YES							
TC(9,7)		Enable Time Verification		YES	YES	YES	YES	YES	YES	YES
	TM(9,8)	Central Time Reference	YES							
	TM(9,9)	Time Verification Report		YES	YES	YES	YES	YES	YES	YES
TC(9,10)		Synchronise Central Time Reference	YES							

PACKET STRUCTURE INTERFACE CONTROL DOCUMENT (PSICD)

REFERENCE : SCI-PT-ICD-07527

DATE : 07-Nov-2003

ISSUE : 4.0 PAGE : 124/150

TC-Pckt ST/SST	TM-Pckt ST/SST	TM/TC Packet Name	USED BY							
			CDMS	ACMS	HIFI	PACS	SPIRE	HFI	LFI	SCS
TC(11,1)		Enable Release of Telecommands	YES							
TC(11,2)		Disable Release of Telecommands	YES							
TC(11,3)		Reset Command Schedule	YES							
TC(11,4)		Insert MTL-Telecommands in Command Schedule	YES							
TC(11,5)		Delete MTL-Telecommands	YES							
TC(11,6)		Delete MTL-Telecommands over Time Period	YES							
TC(11,9)		Report Command Schedule in Detailed Form	YES							
	TM(11,10)	Detailed Schedule Report	YES							
TC(11,11)		Report Schedule in Detailed Form over Time Period	YES							
TC(11,12)		Report Command Schedule in Summary Form	YES							
	TM(11,13)	Summary Schedule Report	YES							
TC(11,14)		Report Schedule Summary over Time Period	YES							
TC(11,18)		Report Status of Command Schedule	YES							
	TM(11,19)	Command Schedule Status Report	YES							
TC(12,1)		Enable Monitoring of Parameters	YES		YES		YES			
TC(12,2)		Disable Monitoring of Parameters	YES		YES		YES			
TC(12,4)		Clear Monitoring List	YES		YES		YES			
TC(12,5)		Modify Monitoring List	YES		YES		YES			
TC(12,6)		Delete Parameters from Monitoring List	YES		YES		YES			
TC(12,8)		Report Current Monitoring List	YES		YES		YES			
	TM(12,9)	Current Monitoring List Report	YES		YES		YES			

PACKET STRUCTURE INTERFACE CONTROL DOCUMENT (PSICD)

REFERENCE : SCI-PT-ICD-07527

DATE : 07-Nov-2003

ISSUE : 4.0

PAGE : 125/150

TC-Pckt ST/SST	TM-Pckt ST/SST	TM/TC Packet Name	USED BY							
			CDMS	ACMS	HIFI	PACS	SPIRE	HFI	LFI	SCS
TC(14,1)		Enable Generation of Telemetry Packets	YES	YES	YES	YES	YES	YES	YES	YES
TC(14,2)		Disable Generation of Telemetry Packets	YES	YES	YES	YES	YES	YES	YES	YES
TC(14,3)		Report Enabled Telemetry Packets	YES	YES	YES	YES	YES	YES	YES	YES
	TM(14,4)	Enabled Telemetry Packets Report	YES	YES	YES	YES	YES	YES	YES	YES
TC(14,5)		Select Down-linking / Storage of Telemetry Packets	YES							
TC(14,6)		Report TM Packets Down-linking / Storage Status	YES							
	TM(14,7)	TM Packets Down-linking / Storage Status Report	YES							
TC(15,1)		Enable Storage in Packet Stores	YES							
TC(15,2)		Disable Storage in Packet Stores	YES							
TC(15,3)		Add Packet Definitions to Packet Store	YES							
TC(15,4)		Remove Packet Definitions to Packet Store	YES							
TC(15,5)		Report Storage Selection Definition	YES							
	TM(15,6)	Storage Selection Definition Report	YES							
TC(15,7)		Downlink Packet Store Contents	YES							
TC(15,9)		Specify Downlink Time Period	YES							
TC(15,11)		Delete Packet Stores Contents up to Specified Time	YES							
TC(15,12)		Report Catalogues for Selected Packet Stores	YES							
	TM(15,13)	Packet Stores Catalogue Report	YES							
TC(17,1)		Perform Connection Test	YES	YES	YES	YES	YES	YES	YES	YES
	TM(17,2)	Connection Test Report	YES	YES	YES	YES	YES		YES	YES

PACKET STRUCTURE INTERFACE CONTROL DOCUMENT (PSICD)

REFERENCE : SCI-PT-ICD-07527

DATE : 07-Nov-2003

ISSUE : 4.0

PAGE : 126/150

TC-Pckt ST/SST	TM-Pckt ST/SST	TM/TC Packet Name	USED BY							
			CDMS	ACMS	HIFI	PACS	SPIRE	HFI	LFI	SCS
TC(18,1)		Load Procedure	YES			YES				
TC(18,2)		Delete Procedure	YES			YES				
TC(18,3)		Start Procedure	YES			YES				
TC(18,4)		Stop Procedure	YES			YES				
TC(18,5)		Suspend Procedure	YES			YES				
TC(18,6)		Resume Procedure	YES			YES				
TC(18,7)		Communicate Parameters to a Procedure	YES			YES				
TC(18,8)		Report List of On-board Control Procedures	YES			YES				
	TM(18,9)	On-board Control Procedures List Report	YES			YES				
TC(18,10)		Report List of Active OBCPs	YES			YES				
	TM(18,11)	Active OBCPs List Report	YES			YES				
TC(18,12)		Report OBCP Status	YES			YES				
	TM(18,13)	OBCP Status Report	YES			YES				
TC(18,14)		Dump OBCP Contents	YES							
	TM(18,15)	OBCP Contents Report	YES							
TC(19,1)		Add Events to Detection List	YES							
TC(19,2)		Delete Events from Detection List	YES							
TC(19,3)		Clear the Event Detection List	YES							
TC(19,4)		Enable Actions	YES							
TC(19,5)		Disable Actions	YES							
TC(19,6)		Report the Event Detection List	YES							
	TM(19,7)	Event Detection List Report	YES							
	TM(21,1)	Nominal Science Data Report			YES	YES	YES	YES	YES	
	TM(21,2)	Science Type B Data Report				YES	YES	YES	YES	
	TM(21,3)	Diagnostic Science Data Report			YES	YES	YES	YES	YES	
	TM(21,4)	Auxiliary Science Data Report					YES	YES		

Table A-2.1: TM/ TC Packet Types/Subtypes Summary

APPENDIX 3: APPLICATION PROCESS ID ASSIGNMENT

Table A-3.1 below lists the allocation of APIDs to the various **on-board users** within the Herschel / Planck Project. The assignment of Application IDs is managed by the Herschel / Planck Project Office. A common structure of APID-allocation shall be adopted for all users for standardised functions.

Certain ranges of APIDs are allocated for instruments according to their specific needs. Additionally, one range of APIDs is reserved for **testing and EGSE-related messages**. This range shall not be used for the addressing of any on-board unit or application. It may be utilised by several groups in parallel during their unit-level test activities before integration of these units into the spacecrafts.

In support of a routing and multiplexing of data streams according to priority, which is based on the concept of Virtual Channels, APIDs are associated with certain TM/TC-packet types according to the tables below.

The Application Process ID (APID) is structured into two fields :

The most significant bits of each APID form a base address, which identifies in general terms the user or process generating the TM packet (or which the TC packet is addressed to) in a unique way. Each instrument and subsystem on-board is associated to one base APID.

The least significant 3 bits within the APID form a field, which identifies different categories of TM packets. This allows to identify a certain service type of a packet without decoding the Data Field Header of a packet, among others in order to support routing of different types of data via different Virtual Channels.

Table A-3.2 provides a mapping of APID Base Address and Packet Category to Packet Types/ Subtypes in a generic way.

Reference **1140-A3**

The following AP-IDs shall be used on-board the Herschel and Planck spacecraft :

PACKET STRUCTURE INTERFACE CONTROL DOCUMENT (PSICD)

REFERENCE : SCI-PT-ICD-07527

DATE : 07-Nov-2003

ISSUE : 4.0 PAGE : 128/150

APID		Assigned to :	
Decimal	Hex.	TC packets	TM packets
0	0h	Standard Distribute CPDU commands	Standard Spacecraft Time Source
16	10h	All CDMS Telecommands	All CDMS TM packets except : - Non-Essential HK Parameter Report, - Diagnostic Parameter Report
18	12h		- CDMS Non-Essential HK Parameter Report, - CDMS Diagnostic Parameter Report
512	200h	All ACMS Telecommands	All ACMS TM packets except : - Non-Essential HK Parameter Report, - Diagnostic Parameter Report
514	202h		- ACMS Non-Essential HK Parameter Report, - ACMS Diagnostic Parameter Report
1024	400h	All HIFI Telecommands	All HIFI TM packets except : - Non-Essential HK Parameter Report, - Diagnostic Parameter Report - HIFI Science Data Transfer TM-Packets
1026	402h		- HIFI Non-Essential HK Parameter Report, - HIFI Diagnostic Parameter Report
1028 to 1031	404h to 407h		- HIFI Science Data Transfer TM-Packets

PACKET STRUCTURE INTERFACE CONTROL DOCUMENT (PSICD)

REFERENCE : SCI-PT-ICD-07527

DATE : 07-Nov-2003

ISSUE : 4.0 PAGE : 129/150

APID		Assigned to :	
Decimal	Hex.	TC packets	TM packets
1152	480h	All PACS Telecommands	All PACS TM packets except : - Non-Essential HK Parameter Report, - Diagnostic Parameter Report - PACS Science Data Transfer TM-Packets
1154	482h		- PACS Non-Essential HK Parameter Report, - PACS Diagnostic Parameter Report
1156 to 1159	484h to 487h		- PACS Science Data Transfer TM-Packets
1280	500h	All SPIRE Telecommands	All SPIRE TM packets except : - Non-Essential HK Parameter Report, - Diagnostic Parameter Report - SPIRE Science Data Transfer TM-Packets
1282	502h		- SPIRE Non-Essential HK Parameter Report, - SPIRE Diagnostic Parameter Report
1284 to 1287	504h to 507h		- SPIRE Science Data Transfer TM-Packets

PACKET STRUCTURE INTERFACE CONTROL DOCUMENT (PSICD)

REFERENCE : SCI-PT-ICD-07527

DATE : 07-Nov-2003

ISSUE : 4.0 PAGE : 130/150

APID		Assigned to :	
Decimal	Hex.	TC packets	TM packets
1408	580h	All HFI Telecommands	All HFI TM packets except : - Non-Essential HK Parameter Report, - Diagnostic Parameter Report - HFI Science Data Transfer TM-Packets
1410	582h		- HFI Non-Essential HK Parameter Report, - HFI Diagnostic Parameter Report
1412 to 1415	584h to 587h		- HFI Science Data Transfer TM-Packets
1536	600h	All LFI Telecommands	All LFI TM packets except : - Non-Essential HK Parameter Report, - Diagnostic Parameter Report - LFI Science Data Transfer TM-Packets
1538	602h		- LFI Non-Essential HK Parameter Report, - LFI Diagnostic Parameter Report
1540 to 1543	604h to 607h		- LFI Science Data Transfer TM-Packets
1664	680h	All SCS Telecommands	All SCS TM packets except : - Non-Essential HK Parameter Report, - Diagnostic Parameter Report
1666	682h		- SCS Non-Essential HK Parameter Report, - SCS Diagnostic Parameter Report
2016 to 2046	7E0h to 7FEh		SCOE / EGSE reserved
2047	7FFh		Idle TM-Packets

Table A-3.1: Application Process ID Assignment

*

Reference **1180-A3**

PACKET STRUCTURE INTERFACE CONTROL DOCUMENT (PSICD)

REFERENCE : SCI-PT-ICD-07527

DATE : 07-Nov-2003

ISSUE : 4.0 PAGE : 131/150

TM-Packet Typ/Subtyp	TM Packet Name	APID (BA = Base Add.)	VC Real-Time
TM(1,1)	Telecommand Acceptance Report - Success	BA	0
TM(1,2)	Telecommand Acceptance Report – Failure	BA	0
TM(1,3)	Telecommand Execution Report – Started	BA	0
TM(1,5)	Telecommand Execution Report – Progress	BA	0
TM(1,7)	Telecommand Execution Report – Completed	BA	0
TM(1,8)	Telecommand Execution Report – Failure	BA	0
TM(1,9)	Telecommand Contents Report	BA	0
TM(3,10)	HK Parameter Report Definitions Report	BA	0
TM(3,12)	Diagnostic Parameter Definitions Report	BA	0
TM(3,25)	Essential Housekeeping Parameter Report	BA	0
TM(3,25)	Non-Essential Housekeeping Parameter Report	BA + 2	4
TM(3,26)	Diagnostic Parameter Report	BA + 2	4
TM(5,1)	Event Report	BA	0
TM(5,2)	Exception Report	BA	0
TM(5,4)	Error/Alarm Report	BA	0
TM(6,6)	Memory Dump, Absolute Addresses	BA	0
TM(6,10)	Memory Check Report, Absolute Addresses	BA	0
TM(8,6)	Function Status Report	BA	0
TM(8,7)	SREM Data Report	BA	0
TM(8,8)	VMC Data Report	BA	0
TM(8,9)	Mass Memory Dump Report	BA	0

PACKET STRUCTURE INTERFACE CONTROL DOCUMENT (PSICD)

REFERENCE : SCI-PT-ICD-07527

DATE : 07-Nov-2003

ISSUE : 4.0

PAGE : 132/150

TM-Packet Typ/Subtyp	TM Packet Name	APID (BA = Base Add.)	VC Real-Time
TM(9,8)	Central Time Reference	BA	0
TM(9,9)	Time Verification Report	BA	0
TM(11,10)	Detailed Schedule Report	BA	0
TM(11,13)	Summary Schedule Report	BA	0
TM(11,19)	Command Schedule Status Report	BA	0
TM(12,9)	Current Monitoring List Report	BA	0
TM(14,4)	Enabled Telemetry Packets Report	BA	0
TM(14,7)	TM Packets Down-linking/Storage Status Report	BA	0
TM(15,6)	Storage Selection Definition Report	BA	0
TM(15,13)	Packet Stores Catalogue Report	BA	0
TM(17,2)	Connection Test Report	BA	0
TM(18,9)	On-board Control Procedures List Report	BA	0
TM(18,11)	Active OBCPs List Report	BA	0
TM(18,13)	OBCP Status Report	BA	0
TM(18,15)	OBCP Contents Report	BA	0
TM(19,7)	Event Detection List Report	BA	0
TM(21,1)	Nominal Science Data Report	BA +4 to +7	1
TM(21,2)	Science Type B Data Report	BA +4 to +7	1
TM(21,3)	Diagnostic Science Data Report	BA +4 to +7	1
TM(21,4)	Auxiliary Science Data Report	BA +4 to +7	1

Table A-3.2: Packet Category Assignment

Stored TM packets are down-linked through the Virtual Channel associated to Packet Store in which they are stored. Association between Packet Store and Virtual Channel is performed at time of Packet Store allocation in Mass Memory using dedicated CDMS packet (part of Service 8).

It is recommended to associate :

- Virtual Channel 3 to Packet Store(s) devoted to the storage of Science Data Transfer TM-Packets.
- Virtual Channel 2 to Packet Store(s) devoted to the storage of other TM-Packets.

*

APPENDIX 4: THE CHECKSUM ALGORITHMS

Reference 1180-A4

A4.1 Cyclic Redundancy Check Code Specification

The Packet Error Control Field is a 16-bit field, which occupies the two trailing octets of a TC Packet.

The purpose of this field is to provide a capability for detecting errors which may have been introduced into the frame by the lower protocol layers during the transmission process and may have remained undetected.

The standard error detection encoding/decoding procedure, which is described in detail in the following paragraphs, produces a 16 bit Packet Check Sequence (PCS) which is placed in the Packet Error Control Field.

This code is intended only for error detection purpose and shall not be used for error correction.

The characteristics of the PCS are those of a cyclic redundancy check code (CRC) and are generally expressed as follows :

- a) The generator polynomial is $G(x) = X^{16} + X^{12} + X^5 + 1$
- b) Both encoder and decoder are initialised to the «all-ones» state for each Packet.
- c) PCS generation is performed over the entire Packet including the Packet Header less the final 16-bit PCS. (In case the CRC checksum algorithm is applied for the checking of memory data blocks, the checksum is generated over the entire contents of this block.)
- d) The code has the following capabilities when applied to an encoded block of less than 32768 bits (2^{15} bits) :
 - All error sequences composed of an odd number of bit errors will be detected
 - All error sequences containing two bit errors anywhere in the coded block will be detected
 - If a random error sequence containing an even number of bit errors (greater than or equal to four) occurs within the block, the probability that the error will be undetected is approximately 2^{-15} (or 3×10^{-5}).
 - All single error bursts spanning 16 bits or less will be detected provided no other errors occur within the block.

A4.2 Encoding Procedure

The encoding procedure accepts an (n-16)-bit message and generates a systematic binary (n, n-16) block code by appending a 16-bit Packet Check Sequence (PCS) as the final 16 bits of the block. This PCS is inserted into the Packet Error Control Field. The equation for PCS is :

$$PCS = [X^{16} \cdot M(X) + X^{(n-16)} \cdot L(X)] \text{ MODULO } G(X)$$

Where

- M(X) is the (n-16)-bit message to be encoded expressed as a polynomial with binary coefficients, n being the number of bits in the encoded message (i.e. the number of bits in the complete Packet).
- L(X) is the pre-setting polynomial given by :

$$L(X) = \sum_{i=0}^{15} X_i \quad (\text{all «1» polynomial of order 15})$$

- G(X) is the CCITT Recommendation V.41 generating polynomial given by :

$$G(X) = X^{16} + X^{12} + X^5 + 1$$

- Where + is the modulo 2 addition operator (exclusive OR)

PACKET STRUCTURE INTERFACE CONTROL DOCUMENT (PSICD)

REFERENCE : SCI-PT-ICD-07527

DATE : 07-Nov-2003

ISSUE : 4.0 PAGE : 134/150

Note that the encoding procedure differs from that of a conventional cyclic block encoding operation in that the $X^{(n-16)}$. $L(X)$ term has the effect of presenting the shift register to an all ones state (rather than a conventional all zeros state) prior to encoding.

A4.3 Decoding Procedure

The error detection syndrome, $S(X)$ is given by

$$S(X) = (X^{16} \cdot C^*(X) + X^n \cdot L(X)) \text{ MODULO } G(X)$$

Where $C^*(X)$ is the received block in polynomial form.

$S(X)$ is the syndrome polynomial which will be zero if no error has been detected.

A4.4 Verification of Compliance

The binary sequences defined in this section are provided to the designers of packet systems as samples for testing and verification of a specific CRC error detection implementation.

All data are given in hexadecimal notation. For a given field (data or CRC), the left most hexadecimal character contains the most significant bit (i.e. bit 0 of the CCSDS convention).

DATA	Packet Check Sequence (CRC)
00 00	1D 0F
00 00 00	CC 9C
AB CD EF 01	04 A2
14 56 F8 9A 00 01	7F D5

A4.5 Possible realisations of Packet Check Sequence Encoders/Decoders

CRC encoders and decoders can be implemented in hardware as well as in software. A possible H/W implementation of an encoder and decoder is described in [AD-1] and [AD-2]. A C-language version is provided in [RD-1].

*

APPENDIX 5: ACRONYMS AND GLOSSARY OF TERMS

A5-1 Acronyms

ACK	Acknowledgement
AD	Applicable Document
ACMS	Attitude Control & Measurement Subsystem (AOCS)
APID	Application Process Identifier
BIN, bin	Binary
CDMS/CDMU	Command and Data Management System / Unit
CCSDS	Consultative Committee for Space Data Systems
CPDU	Command Pulse Distribution Unit
CRC	Cyclic Redundancy Check
CUC	CCSDS Unsegmented Time Code
CTR	Central Time Reference
DEC, dec.	Decimal
DMS	Data Management System (On-board Data Handling System (OBDH))
EEPROM	Electrically Erasable PROM
EGSE	Electrical Ground Support Equipment Check
EID	Event Identifier
EPS	Electrical Power Subsystem
ESA	European Space Agency
ESOC	European Space Operations Centre
FID	Function Identifier
FIFO	First In First Out
HEX, hex.	Hexadecimal
HFI	High Frequency Instrument (Planck)
HIFI	Heterodyne Instrument for Herschel
HK	Housekeeping
HL	High Limit
ICD	Interface Control Document
ID	Identifier
ISO	International Standards Organisation
LFI	Low Frequency Instrument (Planck)
LGA	Low Gain Antenna

PACKET STRUCTURE INTERFACE CONTROL DOCUMENT (PSICD)

REFERENCE : SCI-PT-ICD-07527

DATE : 07-Nov-2003

ISSUE : 4.0

PAGE : 136/150

LL	Low Limit
LSB	Least Significant Bit
MID	Memory Identifier
MINT	Monitoring Interval
MOC	Mission Operations Centre
MSB	Most Significant Bit
MSSW	Mission Specific Software
MTL	Mission Time Line
N/A, n.a.	Not Applicable
OBCP	On-Board Control Procedure
OCF	Operational Control Field
PACS	Photoconductor Array Camera and Spectrometer (Herschel)
PB	Play Back
PEC	Packet Error Control
PID	Parameter Identifier
PROM	Programmable Read Only Memory
PSS	Procedures, Specifications and Standards
PUS	Packet Utilisation Standard
RCS	Reaction Control Subsystem
RAM	Random Access Memory
RF	Radio Frequency
RL	Register Load
RLA	Register Load Address
ROM	Read Only Memory
RSS	Root Sum Square
RT	Real Time
RTU	Remote Terminal Unit
SASW	Standard Application Software
SAU	Smallest Addressable Unit
S/C	Spacecraft
SCET	Spacecraft Elapsed Time
SCOE	Special Check Out Equipment
SCS	Sorption Cooler Subsystem (Planck)
SDU	Service Data Unit
SID	Structure Identifier
SOC	Science Operations Centre
SPIRE	Spectral and Photometric Imaging Receiver (Herschel)

PACKET STRUCTURE INTERFACE CONTROL DOCUMENT (PSICD)

REFERENCE : SCI-PT-ICD-07527

DATE : 07-Nov-2003

ISSUE : 4.0

PAGE : 137/150

S/S	Subsystem (of Spacecraft)
SSMM	Solid State Mass Memory / Solid State Recorder
TAI	Temps Atomique International
TBC	To Be Confirmed
TBD	To Be Defined
TBM	Time Broadcast Message
TBW	To Be Written
TC	Telecommand
TCS	Thermal Control Subsystem
TID	Task Identifier
TM	Telemetry
TT&C	(RF) Tracking, Telemetry, and Command
UTC	Universal Time Coordinate(d)
VC	Virtual Channel

A5-2 Glossary of Terms

Application (Process)

A continuous series of actions to bring about a result for a user. Such process may be on-board (or on ground in special cases). Usually an application process can be associated with a unit, subsystem, or instrument. An Application can receive TC packets and/or generate TM packets.

Application data

Data associated with an (on-board) application process, encapsulated in a TC or TM Packet.

Application Process ID

An 11 bit address field. The APID of a TM packet identifies the application process which generates the packet. The APID of a TC packet identifies the application process which receives the packet. An APID is unique across the system (space and ground segment of a certain spacecraft).

Function

A definite amount of actions to bring about a result for a user. A Function has a control/command interface. One or more Functions may be active simultaneously within a application process.

Function ID

Function Identifier, identifies a function and defines the structure of the parameter field in the packet. The same FID may be used by different APIDs.

Memory ID

Memory Identifier, identifies a memory within an application or unit, which can be addressed individually . The same MID may be used by different APIDs.

Mission Timeline

Sequence of time-tagged Telecommands, which are stored in mass memory of the CDMS and are used to control the nominal operation of the satellite and its instruments for up to 48 hours.

Non-intelligent (end-)user / terminal

PACKET STRUCTURE INTERFACE CONTROL DOCUMENT (PSICD)

REFERENCE : SCI-PT-ICD-07527

DATE : 07-Nov-2003

ISSUE : 4.0 PAGE : 138/150

On-board user which does not decode TC packets or encode TM packets.

On-Board Control Procedure

On-board resident sequence of commands, similar to a flight procedure as executed from ground. A OBCP can be activated for autonomous interpretation and execution in order to control one or more units/ applications or functions.

Packet (end-)user / terminal

On-board user (unit, subsystem, instrument), which decodes TC packets and encodes TM packets. A packet end user may have more than one application process.

(Functional) Parameter

Variable that controls the result of a command, task or process or delivers the value of a measurement, status acquisition, or data processing.

Parameter ID

Parameter Identifier that uniquely identifies a parameter across the system. The same PID may not be used by different APIDs.

Private Telecommands

Telecommand (-Packets) for which (part of) the structure or parameters are not defined and maintained in the System Data Base. They must not be used on-board the Herschel and Planck spacecraft.

Process

See application process.

Register

A set of binary memory cells, fixed by design, to which data can be written and/or data can be read from.

Structure ID

Structure Identifier, defines the structure of the parameter field in the packet. The SID shall be unique for a certain application, however the same SID may be used by different APIDs.

Source Data

Data generated by an on-board application process, encapsulated in a TM packet.

Task

A definite amount of actions to bring about a result for a higher level process like a Function or OBCP. One or more tasks may be active simultaneously within a application process. Operational Telecommands shall not be used to interface directly with Tasks.

User

See Packet end user

APPENDIX 6: PARAMETER TYPES AND STRUCTURES

A6-1 Introduction

This appendix defines the terminology to be used for any packet description referred to in section 3 or 4.

Each field in a Telecommand or telemetry packet described in this document is designed to hold a parameter value. Each parameter field has a type, defining the set of values that can be assigned to the parameter. The parameter types are defined below.

This appendix defines the physical encoding rules for each type, i.e. the permitted lengths of the parameter fields and the internal format used to encode values. This appendix does not define the conversion of data parameters into physical or engineering units or user messages.

Reference **1200-A6**

When defining Telecommand- and Telemetry- Packets only parameter types defined in this Appendix shall be allowed, and they shall follow all formatting rules outlined here below.

*

A6-2 Encoding formats of parameter types

The parameter type defines the range of possible parameter values. A given parameter type can vary in format and length. Each combination of parameter type and encoding format has an associated parameter code, which defines the type and its physical encoding.

The parameter code shall be used whenever a definition of a parameter field is required. The parameter codes shall be applicable to both Telecommand and telemetry data.

The parameter code, PC, is defined as follows :

Parameter Type Code (PTC)	Parameter Format Code (PFC)
8 bits	8 bits

The parameter code is written as (PTC, PFC) in the tables below.

The following parameter types shall be supported :

- Boolean parameter (PTC = 1)
- Enumerated parameter (PTC = 2)
- Unsigned Integer parameter (PTC = 3)
- Signed Integer parameter (PTC = 4)
- Real parameter (PTC = 5)
- Bit-String parameter (PTC = 6)
- Octet-String parameter (PTC = 7)
- Character-String parameter (PTC = 8) - Not used
- Absolute Time parameter (PTC = 9)

- Relative Time parameter (PTC = 10) - Not used
- Deduced parameter (PTC = 11)

A6-3 Parameter type definitions

A6-3.1 Boolean

Parameter Type	PTC	PFC	Length	Value/Range
Boolean	1	0	1 bit	0 = false, 1 = true

A6-3.2 Enumerated Parameter

Enumerated parameters are parameters with distinct integer values only involved in logical operations (as opposed to numeric operations). The values that such a parameter can take are discrete and un-ordered. An error code is a typical example.

Parameter Type	PTC	PFC	Length
Enumerated Parameter	2	1	1 bit
	2	2	2 bits
	2	3	3 bits
	2	4	4 bits
	2	5	5 bits
	2	6	6 bits
	2	7	7 bits
	2	8	8 bits
	2	12	12 bits
	2	16	16 bits
	2	32	32 bits

A6-3.3 Unsigned Integer

PACKET STRUCTURE INTERFACE CONTROL DOCUMENT (PSICD)

REFERENCE : SCI-PT-ICD-07527

DATE : 07-Nov-2003

ISSUE : 4.0 PAGE : 141/150

Parameter Type	PTC	PFC	Length	Value/Range
Unsigned Integer	3	0	4 bits	{0...15}
	3	1	5 bits	{0...31}
	3	2	6 bits	{0...63}
	3	3	7 bits	{0...127}
	3	4	8 bits	{0...255}
	3	5	9 bits	{0...511}
	3	6	10 bits	{0...1023}
	3	7	11 bits	{0...2047}
	3	8	12 bits	{0...4095}
	3	9	13 bits	{0...8191}
	3	10	14 bits	{0...16383}
	3	11	15 bits	{0...32767}
	3	12	2 octets	{0...65535}
	3	13	3 octets	{0...2exp24 - 1}
	3	14	4 octets	{0...2exp32 - 1}

A6-3.4 Signed Integer

PACKET STRUCTURE INTERFACE CONTROL DOCUMENT (PSICD)

REFERENCE : SCI-PT-ICD-07527

DATE : 07-Nov-2003

ISSUE : 4.0 PAGE : 142/150

Parameter Type	PTC	PFC	Length	Value/Range
Signed Integer	4	0	4 bits	{-8...7}
	4	1	5 bits	{-16...15}
	4	2	6 bits	{-32...31}
	4	3	7 bits	{-64...63}
	4	4	8 bits	{-128...127}
	4	5	9 bits	{-256...255}
	4	6	10 bits	{-512...511}
	4	7	11 bits	{-1024...1023}
	4	8	12 bits	{-2048...2047}
	4	9	13 bits	{-4096...4095}
	4	10	14 bits	{-8192...8191}
	4	11	15 bits	{-16384...16383}
	4	12	2 octets	{-32768...32767}
	4	13	3 octets	{-2exp23...2exp23 - 1}
	4	14	4 octets	{-2exp31...2exp31 - 1}

A6-3.5 Real

Parameter Type	PTC	PFC	Length	Sign	Exponent	Fraction
Real	5	1	4 octets	bit 0	bit 1 - bit 8	bit 9 - bit 31
	5	3	4 octets	N/A	bit24 -bit31	bit 0 - bit 23

Two formats for real numbers shall be allowed :

- PC(5,1) : 32-bit single format according to ANSI/IEEE Std 754-1985.
(used also for internal parameter of DSP21020)
- PC(5,2) : not used
- PC(5,3) : 32-bit single format according to MIL-STD-1750-A
used also for interface of DSP21020 with AIU/AOCMS-SW).

A6-3.5.1 PC(5,1) :

Fraction and exponent shall be interpreted as unsigned integers and their values inserted in the formulas given below to determine the value of the parameter.

Fraction is added to a binary 1 to generate the mantissa. To increase the precision of the real number the first bit of the mantissa is assumed to be '1'. This is possible since the mantissa should always be normalised, i.e.

PACKET STRUCTURE INTERFACE CONTROL DOCUMENT (PSICD)

REFERENCE : SCI-PT-ICD-07527

DATE : 07-Nov-2003

ISSUE : 4.0 PAGE : 143/150

the mantissa is left shifted and the exponent decremented until a '1' is found in the most significant bit. The resulting range of the mantissa is $(1.0000...)_{DEC}$ to $(1.9999...)_{DEC}$.

To increase the range at the small end, fraction is added to a binary 0 as the binary fraction when the exponent equals zero.

The following rules shall apply to the interpretation of parameters of type real :

Exponent	Fraction	Value
255	<>0	not a defined number
255	0	$(-1)^{\text{sign}} * \text{infinity}$
< >255, <>0	any	$(-1)^{\text{sign}} * 2^{(\text{exponent}-127)} * (1.\text{fraction})$
0	<>0	$(-1)^{\text{sign}} * 2^{(-126)} * (0.\text{fraction})$
0	0	0

Example 1:

- sign = 0
- exponent = 127
- fraction = 110 0000 0000 0000 0000 0000
- value = $-1^0 * 2^{(127-127)} * (1.110\ 0000\ 0000\ 0000\ 0000\ 0000)_{BIN} = 1.75_{DEC}$

Example 2:

- sign = 0
- exponent = 0
- fraction = 110 0000 0000 0000 0000 0000
- value = $-1^0 * 2^{(0-126)} * (0.110\ 0000\ 0000\ 0000\ 0000\ 0000)_{BIN} = 2^{-126} * 0.75_{DEC}$

A6-3.5.2 PC(5,3) :

The fraction and the mantissa are to be interpreted as two's complement numbers. The range is form $\pm 1.5 * 10^{-39}$ to $\pm 1.7 * 10^{-38}$.

A6-3.6 Bitstring Parameter (PTC = 6)

Parameter Type	PTC	PFC	Length
Bitstring	6	1	1 bit
	6	2	2 bits
	6	4	4 bits
	6	8	8 bits

A fixed-length bit-string parameter shall be of the form :

$B_1 \dots B_n$
n bits

Where :

- $B_1 \dots B_n$ are bits ;
- n is the number of bits and is equal to PFC.

A6-3.7 Octetstring Parameter (PTC = 7)

PFC = 0 : Variable-length octet string.

PFC > 0 : Fixed-length octet string with a number of octets equal to PFC.

An Octetstring consists of variable-length or fixed-length sequences of octets, each octet being an ordered sequence of eight bits. The meaning and interpretation of a value shall be application process specific.

A variable-length octet-string parameter shall be of the form :

Length	O ₁	O ₂	-----	O _n
Unsigned Integer	octet	octet		Octet

Where :

- O₁...O_n : octets ;
- Length : indicates the number of octets which follows. if the contents of a Variable Octetstring is defined to be a TM/TC-packet the Length-field shall be omitted and the value provided in the Length-field of that Packet shall be used.

A fixed-length octet-string parameter is of the form :

O ₁	O ₂	----	O _n
octet	octet		octet

Where :

- O₁...O_n are octets ;
- n is the number of octets and is equal to PFC.

A6-3.8 Time

Parameter Type	PTC	PFC	Length	Coarse Time	Fine Time	Format
Time	9	17	6 octets	4	2	CUC

The fields «Coarse Time» and «Fine Time» contain the Spacecraft Elapsed Time, consistent with the CCSDS Unsegmented Time Code (CUC) format, as defined in [AD1] without P-field. This field is **synchronised to TAI** after setting of the on-board time.

A packet end user that can not provide in telemetry a time synchronised with CRT shall flag this by setting the MSB of the Time Field to «1». **In this case the meaning of the rest of the field is user specific.**

A6-3.9 Deduced

PFC = 0

A type which is unspecified and can only be instantiated to one of the simple types defined in the previous defined ones. Its actual type and encoding format for an instance of the parameter field in a packet is deduced from the value(s) of other preceding parameter field(s) in the packet or from the value(s) of mission constants or a combination of both.

For Herschel / Plank this Deduced parameter type is used for the reporting of OBCP Status Report : TM(18,13). In this packet, the format and type of the reported OBCP parameter is deduced from the value of OBCP-PID reported at the preceding location in packet. For Herschel / Plank, only 32-bit or 64-bit long OBCP parameters are used.

- 32-bit long OBCP parameters are used for all parameter types (boolean, integer, real single precision, ...) except double precision real.
- 64-bit long OBCP parameters are used for double precision real.

APPENDIX 7: STANDARD SPACECRAFT TIME SOURCE PACKET

Reference **1300-A7**

The Standard Spacecraft Time Source Packet shall be used to transport the regular Spacecraft Elapsed Time samples to ground for time correlation with UTC by the ground segment during periods of ground contact. Its structure is defined in **[AD-1]** and it is shown in figure A7-1 below.

SOURCE PACKET HEADER (48 bits)						PACKET DATA FIELD (64 bits)			
PACKET ID				PACKET SEQUENCE CONTROL		PACKET LENGTH	S-FIELD	P-FIELD	T- FIELD
Version Number	Type	Data Field Header Flag	Application Process ID	Segmentation Flags	Source Sequence Count				
3	1	1	11	2	14				
16				16		16	8	8	48

Figure A7-1: Standard Spacecraft Time Source Packet Fields

The time carried by the T-field of the packet shall relate to the instant of occurrence of the leading edge of the first bit of the attached synchronisation marker of the telemetry transfer frame of virtual channel «0» with a virtual channel frame count of «0».

The field contents of the Standard Spacecraft Time Source Packet header and data field are specified below :

– **Packet ID :**

- Version Number :
The version number must be set 000_{BIN}.
- Type :
The type must be set to zero.
- Data Field Header Flag :
The data field header flag must be set to zero. No data field!
- Application Process ID :
The Application process ID shall be set to all zeros.

– **Sequence Control :**

- Segmentation [Grouping] Flags :
The segmentation flags must be set to «1 1».
- Source Sequence Count :
The source sequence count of the time packet must be incremented by 1 whenever the source releases a packet. Ideally, this counter should never re-initialise, however, under no circumstances shall it «short-cycle» (i.e. have a discontinuity other than to a value zero).
The counter wraps around from $2^{14} - 1$ to zero.

– **Packet Length :**

The packet length field specifies the number of octets contained within the Packet Data Field. The number is an unsigned integer «C» where :

$$C = (\text{Number of octets in Packet Data Field}) - 1$$

In this case, the number of octets is eight (i.e. C=7).

It should be noted that the actual length of the entire Standard Spacecraft Time Source Packet, including the Packet Header, is 6 octets longer.

– **S-Field :**

Bits 0 through 3 are not used and must be set to zeros.

Bits 4 through 7 shall be set to a value corresponding to the generation frequency of a Standard time packet

– **P-Field :**

Must be set to «00101110» to indicate that the following time format consists of 4 coarse time octets and 2 fine time octets.

– **T-Field :**

This field will contain the Spacecraft Elapsed Time, consistent with the CCSDS Unsegmented Time Code (CUC) format, This field is synchronised to TAI after setting of the on-board time.

Bits 0 through 31 must contain the coarse Spacecraft Elapsed Time as an unsegmented binary count of seconds.

Bits 32 through 47 must contain the fine Spacecraft Elapsed Time as an unsegmented binary power of subseconds.

*

APPENDIX 8: IDLE PACKET STRUCTURE

Reference **1400-A8**

The idle packet shall be used to fill the telemetry transfer frame when a frame has to be transmitted and an insufficient number of source packets are available to complete the transfer frame. This may be the case when the source data rate is low compared to the frame period. Its structure is as shown in figure A8-1 below.

SOURCE PACKET HEADER (48 bits)						PACKET DATA FIELD (VARIABLE)	
PACKET ID				PACKET SEQUENCE CONTROL		PACKET LENGTH	FILLER PATTERN
Version Number	Type	Data Field Header Flag	Application Process ID	Segmentation Flags	Source Sequence Count		
3	1	1	11	2	14		
16				16		16	Variable

Figure A8-1: Idle Packet Fields

The field contents of the Idle Packet header and data field are specified below :

– **Packet ID :**

- Version Number :
The version number must be set to 000_{BIN}.
- Type :
The type must be set to zero.
- Data Field Header Flag :
The data field header flag must be set to zero.
- Application Process ID :
The Application process ID must be set to all ones (7FFhex.).

– **Sequence Control :**

- Segmentation [Grouping] Flags :
The segmentation flags must be set to «11».
- Source Sequence Count :
The source sequence count of the Idle Packet shall be set to 0000_{hex}.

– **Packet Length :**

The packet length field specifies the number of octets contained within the Packet Data Field. The number is an unsigned integer «C» where :

$$C = (\text{Number of octets in Packet Data Field}) - 1$$

PACKET STRUCTURE INTERFACE CONTROL DOCUMENT (PSICD)

REFERENCE : SCI-PT-ICD-07527

DATE : 07-Nov-2003

ISSUE : 4.0

PAGE : 149/150

The length of the packet may be chosen freely by the user. It should be noted that the actual length of the entire Idle Packet, including the Packet Header, is 6 octets longer.

– **Filler Pattern :**

The content of the Idle Packet data field shall be (pseudo-) random data.

*

APPENDIX 9: SATELLITE DATA BUS PROTOCOL SPECIFICATION

The specification provided in **Appendix 9** of this ICD, defines the basic electrical and data protocol requirements for instruments and other units, which are connected via a **Serial Data Bus according to MIL-STD-1553B** to the Data Management Subsystem.

Because it addresses requirements, which are associated with the three lowermost layers of the on-board communication infrastructure (Physical, Data Link, and Transfer Layer), these requirements are treated within this ICD as a self-standing set. They are largely independent from the requirements of the Application Layer (i.e. the specifications for TM/TC packet structures in the main body of this ICD).

Consequently the Appendix 9 is written with its own paragraph numbers, figure and table numbers, and its own list of applicable and reference documents. If references are made to certain paragraphs etc., or to applicable documentation, they refer to the corresponding items of Appendix 9 only.

HERSCHEL / PLANCK

**PSICD Appendix 9: Satellite Data Bus Protocol
Specification**

SCI-PT-ICD-07527 (App9)

Product Code : 000 000

Data management : Christiane GIACOMETTI

Entité Emettrice : Alcatel Space - Cannes
(détentrice de l'original) :

PSICD APPENDIX 9: SATELLITE DATA BUS PROTOCOL SPECIFICATION

REFERENCE : SCI-PT-ICD-07527 (App9)

DATE : 07-Nov-2003

ISSUE : 4.0

PAGE : 2/57

ENREGISTREMENT DES EVOLUTIONS / *CHANGE RECORD*

Issue	Date	Change Record	Author
4.0	07-Nov-2003	<p>First official release generated by DOORS 5.2 / TREK 3. Legendes of tables and figures are systematically put below table or figure.</p> <p>The requirements deleted in this issue or before will not be displayed in the core of the next issues. They are therefore listed hereafter and displayed in the core of this issue.</p>	F.Sauvage I.Bénilan

§ nb	Req. identifieur	Change Status	Doc. issue	Reason of Change	Change Ref.
§2.1	[2025-PHL-]	Deleted in	4.0 or before		
§3.2.3	[3160-DLL-T]	Deleted in	4.0 or before		
§3.2.3	[3161-DLL-T]	Deleted in	4.0 or before		
§3.2.3	[3165-DLL-T]	Deleted in	4.0 or before		
§3.2.3	[3170-DLL-T]	Deleted in	4.0 or before		
§4.1.1	[4065-TFL-T]	Deleted in	4.0 or before		
§4.1.1	[4075-TFL-T]	Deleted in	4.0 or before		
§4.1.1	[4080-TFL-T]	Deleted in	4.0 or before		
§4.1.4.1	[4225-TFL-T]	Deleted in	4.0 or before		
§4.4	[4385-TFL-T]	Deleted in	4.0 or before		
§4.5.2	[4440-TFL-D]	Deleted in	4.0 or before		
§4.5.2	[4445-TFL-T]	Deleted in	4.0 or before		
§4.5.2	[4450-TFL-T]	Deleted in	4.0 or before		
§4.5.2	[4455-TFL-T]	Deleted in	4.0 or before		
§4.5.2	[4460-TFL-T]	Deleted in	4.0 or before		
§4.5.2	[4465-TFL-T]	Deleted in	4.0 or before		
§4.5.2	[4470-TFL-T]	Deleted in	4.0 or before		
§4.5.2	[4475-TFL-T]	Deleted in	4.0 or before		
§4.6.1.1	[4525-TFL-T]	Deleted in	4.0 or before		
§4.6.1.1	[4530-TFL-T]	Deleted in	4.0 or before		
§4.6.1.1	[4535-TFL-T]	Deleted in	4.0 or before		
§4.6.1.1	[4540-TFL-T]	Deleted in	4.0 or before		
§4.6.1.2	[4670-TFL-D]	Deleted in	4.0 or before		

PSICD APPENDIX 9: SATELLITE DATA BUS PROTOCOL SPECIFICATION

REFERENCE : SCI-PT-ICD-07527 (App9)

DATE : 07-Nov-2003

ISSUE : 4.0

PAGE : 3/57

§ nb	Req. identifier	Change Status	Doc. issue	Reason of Change	Change Ref.
§4.6.2	[4800-TFL-D]	Deleted in	4.0 or before		
§4.6.2	[4805-TFL-T]	Deleted in	4.0 or before		
§4.6.2	[4810-TFL-T]	Deleted in	4.0 or before		
§4.6.2	[4815-TFL-T]	Deleted in	4.0 or before		
§4.6.2	[4820-TFL-T]	Deleted in	4.0 or before		
§4.6.2	[4830-TFL-T]	Deleted in	4.0 or before		
§4.6.2	[4835-TFL-R]	Deleted in	4.0 or before		
§4.6.2	[4840-TFL-T]	Deleted in	4.0 or before		
§4.6.2	[4845-TFL-R]	Deleted in	4.0 or before		
§4.6.2	[4850-TFL-R]	Deleted in	4.0 or before		
§4.6.2	[4855-TFL-R]	Deleted in	4.0 or before		
§4.6.2	[4860-TFL-T]	Deleted in	4.0 or before		
§4.6.2	[4865-TFL-N]	Deleted in	4.0 or before		

TABLE OF CONTENTS

ENREGISTREMENT DES EVOLUTIONS / CHANGE RECORD2

TABLE OF CONTENTS4

LIST OF FIGURES AND TABLES6

1. INTRODUCTION7

1.1 SCOPE OF THIS SPECIFICATION7

1.2 APPLICABLE DOCUMENTS7

1.3 REFERENCE DOCUMENTS7

1.4 ACRONYMS8

1.5 BIT AND FIELD NUMBERING CONVENTIONS9

1.6 GENERAL CONVENTIONS9

 1.6.1 Subaddresses9

 1.6.2 Meaning of RT/ Instrument10

 1.6.3 Meaning of BC10

 1.6.4 Requirement Numbering and Verification Methods10

2. PHYSICAL LAYER11

2.1 DATA BUS TOPOLOGY11

2.2 DATA BUS MEDIUM11

2.3 STUBS, CONNECTORS, SHIELDING11

2.4 ELECTRICAL SIGNAL CHARACTERISTICS12

3. DATA LINK LAYER13

3.1 GENERAL REQUIREMENTS13

 3.1.1 Bus Controller (BC) Functions13

 3.1.2 Remote Terminal Functions13

 3.1.3 Message Formats and Word Formats14

 3.1.3.1 Word Formats14

 3.1.3.2 Message Formats15

 3.1.4 Message Timing16

3.2 COMMAND WORD16

 3.2.1 RT Address Field17

 3.2.2 T/R Bit Field18

 3.2.3 Subaddress/ Mode Field19

3.3 RT STATUS WORD23

 3.3.1 Status Word structure23

 3.3.2 Status Word bits24

3.4 DATA WORD24

 3.4.1 Data Word Structure24

3.5 DATA LINK LAYER FDIR25

 3.5.1 Conditions for Invalid/ Illegal Transfers on the DLL25

 3.5.2 Management of Bus Errors25

 3.5.2.1 Scope of MIL Bus-level FDIR25

 3.5.2.2 Interfaces necessary to support Bus-level FDIR25

PSICD APPENDIX 9: SATELLITE DATA BUS PROTOCOL SPECIFICATION

REFERENCE : SCI-PT-ICD-07527 (App9)

DATE : 07-Nov-2003

ISSUE : 4.0

PAGE : 5/57

3.5.2.3	Ground command interfaces for bus FDIR.....	26
3.5.2.4	Functional Requirements of Bus-level FDIR.....	26
3.5.2.5	Interface of Bus-level FDIR to Equipment FDIR.....	29
4.	TRANSFER LAYER	30
4.1	GENERAL REQUIREMENTS.....	30
4.1.1	<i>Functional and Performance Requirements</i>	30
4.1.2	<i>Cyclic Transfer Protocol</i>	31
4.1.3	<i>Frame Timing</i>	33
4.1.3.1	<i>Subframe Timing</i>	35
4.1.4	<i>Data Transfer</i>	36
4.1.4.1	<i>General</i>	36
4.1.4.2	<i>Packet transfer control commands</i>	37
4.2	FRAME SYNCHRONIZATION BY BC.....	38
4.3	TIME SYNCHRONIZATION.....	39
4.4	STATUS POLLING.....	40
4.5	TELECOMMAND PACKET DELIVERY.....	42
4.5.1	<i>Nominal TC Packet Delivery Mechanism (BC to RT)</i>	42
4.5.2	<i>High-Priority TC Messages</i>	45
4.5.3	<i>Low level commanding</i>	46
4.6	TELEMETRY PACKET RETRIEVAL.....	47
4.6.1	<i>Nominal TM Packets</i>	47
4.6.1.1	<i>RT TM Packet Transfer Request</i>	47
4.6.1.2	<i>TM Packet Confirmation from the BC</i>	50
4.6.1.3	<i>TM Packet Transfer mechanism</i>	53
4.6.1.4	<i>Normal Data Bus Mode</i>	53
4.6.2	<i>High Priority TM Messages</i>	55
4.7	TRANSFER LAYER FDIR.....	56
4.8	DATA RATE MONITORING.....	56

LIST OF FIGURES AND TABLES

Figure 3.1.5-1 : Word Formats 14

Figure 3.1.3.2-1 : Used Information Transfer Formats 16

Table 3.2.1-1 : RT Address assignment 17

Figure 3.2.1-1 : Principle of RT Address Coding via Connector Pin Functions (Odd Parity) 18

Table 3.2.3-1 : SA Utilization Table 19

Table 3.2.4-1 : List of Mode Commands with the corresponding patterns. 23

Table 3.3.2 -1 : MIL Bus RT Status Word..... 24

Figure 3.5.2.4-1 : Principle of MIL Bus failure isolation 28

Figure 3.5.2.5-1 : MIL Bus FDIR concept. 29

Figure 4.1.2-1 : Data Bus profile..... 32

Figure 4.1.3-1 : Subframe and Subframe count..... 33

Table 4.1.3-1 : Subframe Utilization..... 34

Table 4.1.3.1-1 : Message Slot Allocation Table 35

Figure 4.2-1 : Subframe Synchronize messages..... 38

Figure 4.3-1: Time Distribution Broadcast Message 40

Figure 4.4-1 : RT Status Data Format. 41

Table 4.5.1-1 : Layout of the TC Packet Transfer Descriptor (BC to RT SA 27R) 43

Table 4.5.1-2 : Layout of the TC Packet Confirmation (from RT, SA 27T) 44

Figure 4.5.1-1: Principle of RT behaviour for TC Packet transfer 45

Table 4.6.1.1-1 : Layout of the Packet Transfer Request..... 47

Table 4.6.1.2-1 : Layout of the TM Packet Transfer Confirmation..... 51

Figure 4.6.1.2-1: BC Subframe Sequence 52

PSICD APPENDIX 9: SATELLITE DATA BUS PROTOCOL SPECIFICATION

REFERENCE : SCI-PT-ICD-07527 (App9)

DATE : 07-Nov-2003

ISSUE : 4.0

PAGE : 7/57

1. INTRODUCTION

1.1 Scope of this Specification

The environment for the Satellite Data Bus Protocol (SDBP) is a spacecraft carrying several instruments, which are connected via a serial data bus according to MIL-STD-1553B to the Data Management Subsystem.

A common interface specification is established within this document, which is binding for all units on-board, that exchange data across the data bus. This document is the basis for covering all necessary aspects, which enables a party to design, develop, and test this interface as part of a certain unit in a way, that it communicates properly together with other units of the spacecraft after integration.

This specification is made applicable for the corresponding S/C interfaces of the experiments and for S/C Service Module units. The corresponding details of the data bus and the protocol for certain SVM units are to be specified during Phase B activities.

Reference **1000-SDBP-R**

Where applicable, this specification refers directly to requirements laid down in AD 1, which are applicable.

*

Reference **1010-SDBP-R**

For test and verification, the reference values, test methods and procedures, which are defined in Section 100 of AD 2, are directly applicable. For test cases, which are not covered by AD 2, or which are mission-specific, special test procedures have to be defined.

*

1.2 Applicable Documents

Reference **AD-1**

MIL-STD-1553B, Notice 2, 8.9.1986
DIGITAL TIME DIVISION COMMAND/RESPONSE MULTIPLEX DATA BUS

*

Reference **AD-2**

MIL-HDBK-1553A, Multiplex Applications Handbook
Department of Defense, 1.11.1988

*

1.3 Reference Documents

Reference **RD-1**

Herschel / Planck Instrument Interface Document – IID Part A
SCI-PT-IIDA-04624

*

PSICD APPENDIX 9: SATELLITE DATA BUS PROTOCOL SPECIFICATION

REFERENCE : SCI-PT-ICD-07527 (App9)

DATE : 07-Nov-2003

ISSUE : 4.0

PAGE : 8/57

Reference **RD-2**

Herschel / Planck Packet Structure Interface Control Document PS-ICD
SCI-PT-ICD-07527

*

Reference **RD-3**

ESA Packet Telemetry Standard
PSS-04-106, Issue 1, 1988

*

Reference **RD-4**

ESA Packet Telecommand Standard
PSS-04-107, Issue 2, 1992

*

Reference **RD-5**

SVM Requirements Specification
H-P-4-ASPI-SP-0019

*

Reference **RD-6**

CDMU HW / SW ICD
P-HPL-ICD-00001-SE, issue 1

*

Reference **RD-7**

System Operations & FDIR Requirements (SOFDIR)
H-P-1-ASPI-SP-0209, issue 4.3

*

1.4 Acronyms

AD	Applicable Document
BC	Bus Controller
CCSDS	Consultative Committee for Space Data Systems
CDMS	Command and Data Management Subsystem
ESA	European Space Agency
FDIR	Fault Detection, Isolation and Recovery
H/K	House Keeping
H/W	Hardware
I/F	Interface
ICD	Interface Control Document

PSICD APPENDIX 9: SATELLITE DATA BUS PROTOCOL SPECIFICATION

REFERENCE : SCI-PT-ICD-07527 (App9)

DATE : 07-Nov-2003

ISSUE : 4.0

PAGE : 9/57

kbps	kilobits per second
LSB	Least Significant Bit
MSB	Most Significant Bit
MSByte	Most Significant Byte
PDU	Power Distribution Unit
PSS	Procedures, Specifications and Standards
RD	Reference Document
RT	Remote Terminal
SA	Subaddress
S/C	Spacecraft
SDBP	Satellite Data Bus Protocol
TBC	To Be Confirmed
TBD	To Be Determined
TC	Telecommand
TM	Telemetry

1.5 Bit and Field Numbering Conventions

– Bit numbering

The relation between a 20 bit MIL-Bus word and the Bit Position numbering is given below. For all Data Fields the MSBs correspond to Bit Position 00.

Bit times :	01	02	03	04	05	06	07	08	09	10	11	12	13	14	15	16	17	18	19	20
Bit # (Bit Position) :	S	S	S	00	01	02	03	04	05	06	07	08	09	10	11	12	13	14	15	P

The most significant bit shall be transmitted first with the less significant bits following in descending order of value in the data word.

See AD 1, paragraph §4.3.

Higher-layer data structures shall be mapped to MIL-Bus words and Messages such that the MSB of these data structures correspond to the MSB of the first word of the first Message belonging to a certain transfer.

1.6 General Conventions

1.6.1 Subaddresses

Subaddress naming in the following chapters is done by using this arrangement :

Subaddress + Number (used range 1-30) + **T**ransmit or **R**eceive

Example :

SA 10 R - has the meaning : Subaddress Number 10 Receive

1.6.2 Meaning of RT/ Instrument

The meaning of RT (Remote Terminal) / Instrument, which is in the MIL STD 1553B only the bus I/F, encloses in the following chapters the RT, and also the attached subsystems, host controllers and so on. Exceptions are explicitly mentioned.

1.6.3 Meaning of BC

The meaning of BC (Bus Controller), which is in MIL STD 1553B only the bus master, encloses in the following chapters the BC bus I/F, and the Host Controller, and the applications and services behind the bus I/F of the BC.

1.6.4 Requirement Numbering and Verification Methods

The Requirements in this specification are combined with Requirement Identifications.

This Requirement Identification is a combination of :

- A requirement dedicated number (for tracking purpose)
- An indication which layer of the (OSI-) communication model is involved :
 - PHL - Physical Layer
 - DLL- Data Link Layer
 - TFL - Transfer Layer
- The foreseen Verification method for this requirement :
 - N - Not to be tracked
 - T - Test
 - R - Review of Design
 - A - Analysis
 - I - Inspection
 - D - Definition

Example : 100-PHL-R,T

Meaning : Requirement no. **100** , Physical Layer, Verification method : **R**eview of Design and **T**est.

PSICD APPENDIX 9: SATELLITE DATA BUS PROTOCOL SPECIFICATION

REFERENCE : SCI-PT-ICD-07527 (App9)

DATE : 07-Nov-2003

ISSUE : 4.0

PAGE : 11/57

2. PHYSICAL LAYER

2.1 Data Bus Topology

Reference **2005-PHL-R**

The data bus topology shall be in accordance to AD 1, see paragraph §4.5, §30.10.

*

Reference **2010-PHL-T**

The physical characteristics of the Bus interfaces shall be in accordance with MIL STD 1553 B, see AD1.

*

Reference **2015-PHL-R**

All terminals shall use transformer coupled stubs.

*

Reference **2020-PHL-R**

The BC shall use transformer coupled stubs.

*

Reference **2025-PHL-**

deleted

*

2.2 Data Bus Medium

Reference **2030-PHL-R**

The data bus medium shall be a TSP cable with 75 Ohms.

*

Reference **2035-PHL-R**

See AD 1, paragraph §4.5, §30.10.

*

2.3 Stubs, Connectors, Shielding

Reference **2040-PHL-R**

See AD 1, paragraph §4.5, §30.10.

*

PSICD APPENDIX 9: SATELLITE DATA BUS PROTOCOL SPECIFICATION

REFERENCE : SCI-PT-ICD-07527 (App9)

DATE : 07-Nov-2003

ISSUE : 4.0

PAGE : 12/57

2.4 Electrical Signal Characteristics

Reference **2045-PHL-R**

See AD 1, paragraph §4.5, §30.10.

*

3. DATA LINK LAYER

3.1 General Requirements

3.1.1 Bus Controller (BC) Functions

Reference **3005-DLL-R**

The (redundant) Command and Data Management System (CDMS) shall act as Bus Controller (BC).

*

Reference **3010-DLL-R**

Automated message repetition by the BC in case of transmission errors is authorised.

*

Reference **3015-DLL-R**

RT to RT transmissions are not foreseen.

*

Reference **3020-DLL-R**

The usage of broadcast messages is allowed.

*

Reference **3025-DLL-R**

The BC shall be able to send MIL-Bus messages to the units or instruments working as RTs on the bus.

*

Reference **3030-DLL-R**

The BC shall support Mode Commands as shown in Table 3.2.4-1 : List of Mode Commands, with the corresponding patterns.

*

Reference **3035-DLL-R**

The BC shall support the RT SA allocation as shown in Table 3.2.3-1 : SA utilization table.

*

3.1.2 Remote Terminal Functions

Reference **3040-DLL-R**

All spacecraft units or instruments connected to the data bus shall act as Remote Terminals (RT).

PSICD APPENDIX 9: SATELLITE DATA BUS PROTOCOL SPECIFICATION

REFERENCE : SCI-PT-ICD-07527 (App9)

DATE : 07-Nov-2003

ISSUE : 4.0

PAGE : 14/57

*

Reference **3045-DLL-R**

The RT shall support Mode Commands as shown in table 3.2.4-1 : List of Mode Commands, with the corresponding patterns.

*

Reference **3050-DLL-R**

Each RT shall support this SA allocation as shown in Table 3.2.3-1 : SA utilization table.

*

Reference **3052-DLL-R**

The RT shall support broadcast messages.

*

3.1.3 Message Formats and Word Formats

3.1.3.1 Word Formats

Reference **3055-DLL-R**

The used word formats shall be in accordance to AD 1. See below.

Bit times :	01	02	03	04	05	06	07	08	09	10	11	12	13	14	15	16	17	18	19	20
Bit # (Bit Position) :	S	S	S	00	01	02	03	04	05	06	07	08	09	10	11	12	13	14	15	P
MIL 1553 B - Command Word :	Sync			RT Address				T/R	Subaddress				Data Word Count				P			
MIL 1553 B - RT Status Word :	Sync			RT Address				a	b	c	Reserved '000'				d	e	f	g	h	P
MIL 1553 B - Data Word :	Sync			Data														P		

Figure 3.1.5-1 : Word Formats

Notes:

- a: Message Error
- b: Instrumentation
- c: Service Request
- d: Broadcast Command Received
- e: Busy
- f: Subsystem Flag
- g: Dynamic Bus Control Acceptance

PSICD APPENDIX 9: SATELLITE DATA BUS PROTOCOL SPECIFICATION

REFERENCE : SCI-PT-ICD-07527 (App9)

DATE : 07-Nov-2003

ISSUE : 4.0

PAGE : 15/57

– h: Terminal Flag P= Parity Bit

*

3.1.3.2 Message Formats

Reference **3060-DLL-D**

The MIL Bus transfer formats to be utilized are shown in figure 3.1.3.2-1. There are three basic types of messages, which are always initiated by a specific Command of the BC :

*

Reference **3065-DLL-D**

– Receive Messages

These messages are sent from the BC to the addressed RT (and/or attached equipment / subsystem), which responds with dedicated actions. There is always a Status Word reply but no Data reply.

*

Reference **3070-DLL-D**

– Transmit Messages

These messages are sent from the addressed RT or equipment / subsystems to the BC ; they carry the requested data.

*

Reference **3075-DLL-D**

– Broadcast Messages

These messages are used by the BC to send Commands (with or without data) to all RTs in parallel, which initiate dedicated actions at the RTs (e.g. synchronization). There is no status or data reply allowed.

PSICD APPENDIX 9: SATELLITE DATA BUS PROTOCOL SPECIFICATION

REFERENCE : SCI-PT-ICD-07527 (App9)

DATE : 07-Nov-2003

ISSUE : 4.0

PAGE : 16/57

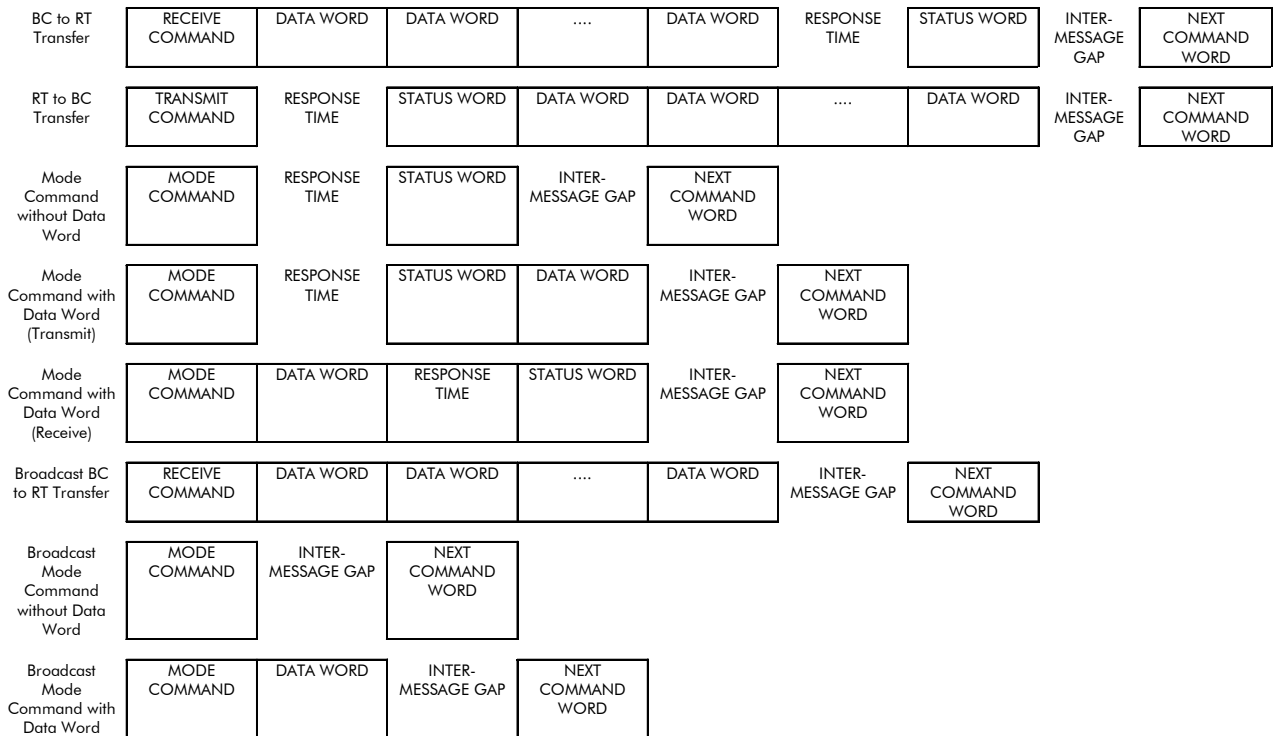


Figure 3.1.3.2-1 : Used Information Transfer Formats

*

3.1.4 Message Timing

Reference **3080-DLL-T**

The timing of messages shall be in accordance to AD 1.

*

Reference **3085-DLL-R**

The BC No Response Timeout shall be adjusted to 14 microsecond.

*

3.2 Command Word

Reference **3090-DLL-D**

See figure 3.1.5-1 : Word formats

*

Reference **3095-DLL-T**

The utilization of the Command Word shall be in compliance to AD 1, § 4.3.3.5.1.

PSICD APPENDIX 9: SATELLITE DATA BUS PROTOCOL SPECIFICATION

REFERENCE : SCI-PT-ICD-07527 (App9)

DATE : 07-Nov-2003

ISSUE : 4.0

PAGE : 17/57

*

3.2.1 RT Address Field

Reference **3100-DLL-N**

Each Remote Terminal (RT) connected to a MIL Bus has a unique address, which allows the Bus Controller (BC) to communicate with selected equipment. The address range for equipment is 1 to 30. Address 0 is reserved. Address 31 is used for broadcast.

*

Reference **3105-DLL-R**

The RT Address shall be configurable via an external connector of the RT unit, see AD1 § 30.3.

*

Reference **3110-DLL-R**

The RT Address of all onboard units shall be in accordance to Table 3.2.1-1 : RT Address assignment.

*

Reference **3115-DLL-D**

Table 3.2.1-1 : RT Address assignment

as specified in RD 1 or RD 5

*

Reference **3120-DLL-N**

Notes :

- One RT Address must be reserved for BC, because of H/W and testing needs.
- An implementation example of an address connector is shown in Figure 3.2.1-1. All Address- and Parity lines have pull up resistors, so that a ,0' on a line is coded by connecting it to common secondary return (secondary zero volt), as shown below. The type of Parity is odd.

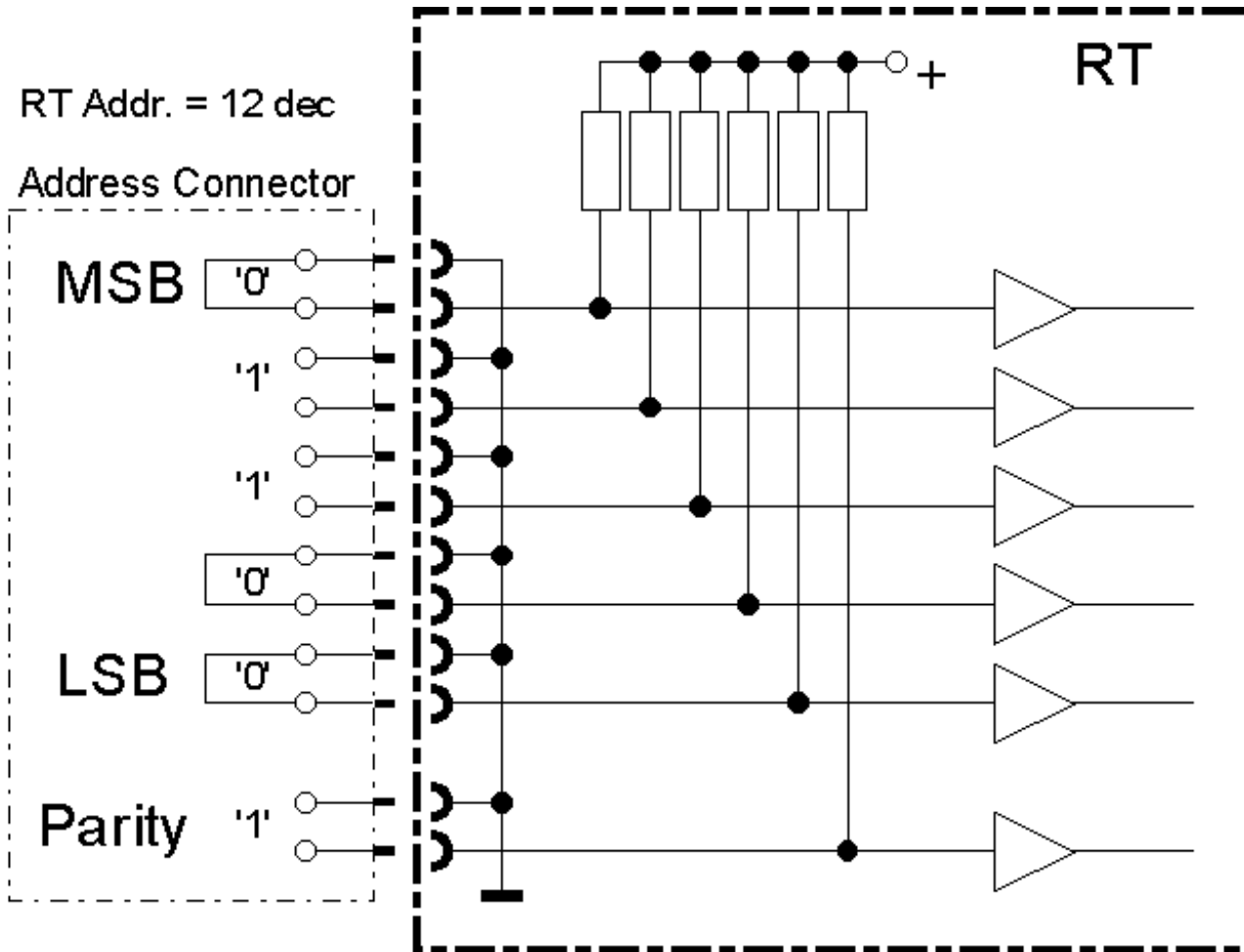


Figure 3.2.1-1 : Principle of RT Address Coding via Connector Pin Functions (Odd Parity)

*

3.2.2 T/R Bit Field

Reference **3125-DLL-T**

The usage of this bit shall be in accordance to AD1 § 4.3.3.5.1.3.

*

Reference **3130-DLL-N**

A logic zero indicates that the RT shall receive data from the BC and a logic one indicates that the RT shall transmit data to the BC.

*

PSICD APPENDIX 9: SATELLITE DATA BUS PROTOCOL SPECIFICATION

REFERENCE : SCI-PT-ICD-07527 (App9)

DATE : 07-Nov-2003

ISSUE : 4.0

PAGE : 19/57

3.2.3 Subaddress/ Mode Field

Reference **3135-DLL-R**

The allocation of Subaddresses (SAs) shall be as shown in table 3.2.3-1 : SA utilization table.

*

Reference **3140-DLL-D**

Subaddress (dec.)	Transmit T	Receive R
0	reserved for Mode command	reserved for Mode command
1	Unit status data	Unit control
2	<i>Data send</i>	<i>Data receive</i>
3	<i>Data send</i>	Not used
4	<i>Data send</i>	Not used
5	Not used	Not used
6	Not used	Not used
7	<i>Data send</i>	<i>Data receive</i>
8	Internal Time	Time Messages
9	<i>Data send</i>	<i>Data receive</i>
10	TM Packet Transfer Request	TM Packet Transfer Confirmation
11	TM Data send MSBytes	TC Data receive MSBytes
12	TM Data send	TC Data receive
13	TM Data send	TC Data receive
14	TM Data send	TC Data receive LSBytes
15	TM Data send	<i>Data receive</i>
16	TM Data send	<i>Data receive</i>
17	TM Data send	<i>Data receive</i>
18	TM Data send	<i>Data receive</i>
19	TM Data send	<i>Data receive</i>
20	TM Data send	<i>Data receive</i>
21	TM Data send	<i>Data receive</i>
22	TM Data send	<i>Data receive</i>
23	TM Data send	<i>Data receive</i>
24	TM Data send	<i>Data receive</i>
25	TM Data send	<i>Data receive</i>
26	TM Data send LSBytes	<i>Data receive</i>
27	TC Packet Transfer Confirmation	TC Packet Transfer Descriptor
28	Low Level Command – Status	Low Level Command
29	<i>Data send</i>	<i>Data receive</i>
30	Data Wrap read	Data Wrap write
31	reserved for Mode command	reserved for Mode command

Table 3.2.3-1 : SA Utilization Table

*

PSICD APPENDIX 9: SATELLITE DATA BUS PROTOCOL SPECIFICATION

REFERENCE : SCI-PT-ICD-07527 (App9)

DATE : 07-Nov-2003

ISSUE : 4.0

PAGE : 20/57

– Usage of Subaddresses :

Reference **3145-DLL-T**

3.2.3.1 : Mode command (SA 0, 31)

Compliant to the MIL STD 1553B, see AD1.

*

Reference **3150-DLL-R**

3.2.3.2 : Unit status data (SA 1T)

Via this SA the RT shall provide H/K data and status data about the RT/ unit.

*

Reference **3155-DLL-T**

3.2.3.3 : Unit control (SA 1R)

Via this SA the RT shall receive unit related Low Level commands.

*

Reference **3160-DLL-T**

deleted

*

Reference **3161-DLL-T**

deleted

*

Reference **3165-DLL-T**

deleted

*

Reference **3170-DLL-T**

deleted

*

Reference **3175-DLL-R**

3.2.3.7 : Internal Time (SA 8T)

This SA is reserved for a read of the local/ internal time and clock status of a unit.

*

Reference **3180-DLL-T**

3.2.3.8 : Time messages (SA 8R)

PSICD APPENDIX 9: SATELLITE DATA BUS PROTOCOL SPECIFICATION

REFERENCE : SCI-PT-ICD-07527 (App9)

DATE : 07-Nov-2003

ISSUE : 4.0

PAGE : 21/57

By using this SA the BC shall distribute time information on the bus. The time message shall be send as broadcast message to all RTs.

*

Reference **3185-DLL-T**

3.2.3.9 : TM Packet Transfer Request (SA 10T)

The RT provides via this SA its request for a TM packet transfer.

*

Reference **3190-DLL-T**

3.2.3.10 : TM Packet Transfer Confirmation (SA 10R)

The BC shall place here, after reading the TM packet from the RT, the Confirmation message.

*

Reference **3195-DLL-T**

3.2.3.11 : TM Data send (SA 11 - 26T)

This SA contains the nominal TM packet data. The data shall be transferred with its MSByte first.

*

Reference **3200-DLL-T**

3.2.3.12 : TC Data receive (SA 11 - 14R)

This SA contains the nominal TC packet data. The data shall be transferred with its MSByte first.

*

Reference **3205-DLL-T**

3.2.3.13 : TC Packet Transfer Descriptor (SA 27R)

To this SA the BC shall send the Control words to inform the RT about the presence of a new TC packet.

*

Reference **3210-DLL-T**

3.2.3.14 : TC Packet Transfer Confirmation (SA 27T)

The RT shall place here, after reading the TC packet from the BC, the Confirmation message.

*

Reference **3215-DLL-T**

3.2.3.15 : Low Level Command (SA 28R)

This SA is reserved for low level commanding of RTs.

*

Reference **3220-DLL-T**

3.2.3.16 : Low Level Command - Status (SA 28T)

PSICD APPENDIX 9: SATELLITE DATA BUS PROTOCOL SPECIFICATION

REFERENCE : SCI-PT-ICD-07527 (App9)

DATE : 07-Nov-2003

ISSUE : 4.0

PAGE : 22/57

This SA is reserved for supporting a low level command execution status.

*

Reference **3225-DLL-R**

3.2.3.17 : Data send (SA 2,3,4,7,9,29T)

Unused Transmit SA.

*

Reference **3230-DLL-R**

3.2.3.18 Data receive (SA 2,7,9,15 – 26,29R)

Unused Receive SA.

*

Reference **3235-DLL-T**

3.2.3.19 : Data Wrap read (SA 30T)

SA used for test purpose, see AD1 and AD2.

The implementation of this feature is mandatory for the RT.

*

Reference **3240-DLL-T**

3.2.3.20 : Data Wrap write (SA 30R)

SA used for test purpose, see AD1 and AD2.

The implementation of this feature is mandatory for the RT.

*

Reference **3242-DLL-T**

3.2.3.21 : Subaddress Allocation, non-intelligent Remote Terminals

For non-intelligent Remote Terminals (which do not handle TM/TC-Packets) the same SAs as for Packet Terminals/ RTs shall be used for standardized functionalities. For nominal data transfer the Subaddresses SA 11T/R to SA 26T/R may be used and/or Subaddresses identified as unused.

*

– Data Word Count/ Mode Code Field

Reference **3245-DLL-T**

The Data Word Count Field indicates the quantity of data words to be transferred to/ from the BC. It shall be used according to AD1 § 4.3.3.5.1.5.

*

Reference **3250-DLL-D**

In case the Subaddress Field is set to '00000' or '11111' the BC and RTs shall support Mode Commands as follows :

PSICD APPENDIX 9: SATELLITE DATA BUS PROTOCOL SPECIFICATION

REFERENCE : SCI-PT-ICD-07527 (App9)

DATE : 07-Nov-2003

ISSUE : 4.0

PAGE : 23/57

Mode Command	Pattern (bin)	Assigned SA (bin)	See AD 1 § No. :	Supported by :			
				BC	S/C RTs non intelligent	S/C RTs	Instrument RTs
Dynamic Bus Control	00000	00000	4.3.3.5.1.7.1	NO	NO	NO	NO
Synchronize (without data word *)	00001	00000	4.3.3.5.1.7.2	YES	YES	YES	YES
Transmit Status Word	00010	00000	4.3.3.5.1.7.3	YES	YES	YES	YES
Initiate Self-test **)	00011	00000	4.3.3.5.1.7.4	YES	YES	YES	YES
Transmitter (TX) Shut-Down	00100	00000	4.3.3.5.1.7.5	YES	YES	YES	YES
Override TX Shut-Down	00101	00000	4.3.3.5.1.7.6	YES	YES	YES	YES
Inhibit Terminal Flag	00110	00000	4.3.3.5.1.7.7	YES	YES	YES	YES
Override Inhibit Terminal Flag Bit	00111	00000	4.3.3.5.1.7.8	YES	YES	YES	YES
Reset Remote Terminal **)	01000	00000	4.3.3.5.1.7.9	YES	YES	YES	YES
Transmit Vector Word	10000	00000	4.3.3.5.1.7.11	YES	YES	YES	YES
Synchronize (with data word *)	10001	00000	4.3.3.5.1.7.12	YES	YES	YES	YES
Transmit Last Command	10010	00000	4.3.3.5.1.7.13	YES	YES	YES	YES
Transmit BIT (Built-In Test data) Word **)	10011	00000	4.3.3.5.1.7.14	YES	YES	YES	YES
Selected TX Shut Down (SD)	10100	00000	4.3.3.5.1.7.15	NO	NO	NO	NO
Override Selected TX SD	10101	00000	4.3.3.5.1.7.16	NO	NO	NO	NO
Remaining Possible Command pattern (reserved for future use)	All other	00000	4.3.3.5.1.7.10 4.3.3.5.1.7.17	N/A	N/A	N/A	N/A

*) These Mode Commands are used as Broadcast Commands

**) According to the MIL1553B Standard, the Remote Terminal on the bus is not the total unit/equipment connected to a MIL Bus, but the interfacing circuitry only (e.g. MIL Bus chip set or H/W including the necessary buffers). E.g. the 'Reset Remote Terminal' command described in the MIL 1553B Standard, does not reset the unit/equipment itself, but the interface only. The MIL Bus chip set is affected, not the unit.

Table 3.2.4-1 : List of Mode Commands with the corresponding patterns.

*

Reference **3255-DLL-N**

Certain functions of Mode Commands are used within the Data Bus Protocol , details are specified in chapter 4 of this specification. Further Mode Command usage is unit specific and must be specified in the User Manual of each RT.

*

3.3 RT Status Word

3.3.1 Status Word structure

See figure 3.1.5-1 : Word formats

PSICD APPENDIX 9: SATELLITE DATA BUS PROTOCOL SPECIFICATION

REFERENCE : SCI-PT-ICD-07527 (App9)

DATE : 07-Nov-2003

ISSUE : 4.0

PAGE : 24/57

3.3.2 Status Word bits

Reference **3260-DLL-T**

After the reception of any MIL Bus message (except a MIL Bus broadcast message), a RT responds with a status word which shall be in accordance with A.D 1, § 4.3.3.5.3.

*

Reference **3265-DLL-D**

The status word has the following content :

Bit #	Bit Meaning	Supported by RT	Status indication
0-4	Address of responding RT	YES	none
5	Message Error	YES	,1'=yes , ,0'=no
6	Instrumentation	YES	set to zero
7	Service Request	YES	,1'=yes , ,0'=no
8-10	Reserved	YES	set to zero = '0'
11	Broadcast Command Received	YES	,1'=yes , ,0'=no
12	Busy	YES	,1'=yes , ,0'=no
13	Subsystem Flag	YES	,1'=fault , ,0'=no fault
14	Dyn. Bus Control Acceptance	YES	set to zero
15	Terminal Flag (RT fault)	YES	,1'=fault , ,0'=no fault

Table 3.3.2 -1 : MIL Bus RT Status Word

*

Reference **3270-DLL-T**

The RT shall support the Status Word Flags as shown in Table 3.3.2 -1 : MIL Bus RT Status Word.

*

Reference **3275-DLL-R**

The RT shall support at least the Status word bits as required by AD 1 § 30.5.2., The use of the Service Request bit, Subsystem Flag bit, the Busy bit, and the Terminal Flag bit shall be defined by each RT in its User Manual.

*

3.4 Data Word

3.4.1 Data Word Structure

Reference **3280-DLL-N**

See figure 3.1.5-1 : Word Formats

3.5 Data Link Layer FDIR

3.5.1 Conditions for Invalid/ Illegal Transfers on the DLL

Reference **3285-DLL-**

The MIL Bus Data Link Layer FDIR shall be performed according to SOFDIR Annex 1 (RD7) and IID-A (RD1) requirements.

*

3.5.2 Management of Bus Errors

3.5.2.1 Scope of MIL Bus-level FDIR

Reference **3300-DLL-D**

The MIL Bus FDIR has the capability to manage the bus redundancy switch-over. This function collects the data necessary to monitor the status of the communications on the bus, isolates bus medium failure, and performs an automatic reconfiguration of the bus from communication medium A to communication medium B as necessary to maintain the integrity of the bus communication path.

The MIL Bus FDIR also collects FDIR data from the MIL Bus that is also relevant to RT equipment FDIR. For example, if a RT does not answer anymore on the bus, this may be because the MIL Bus communication medium is cut, or because the RT itself has failed or has been powered OFF. The bus FDIR will first try to isolate whether the error is caused by a bus failure or not. If a RT failure is confirmed instead, the failure shall be managed by a RT FDIR function. The data bus FDIR will report the error to the equipment FDIR layer.

The present section 3.5.2 describes the main principles for MIL Bus-level FDIR. These principles are detailed in SOFDIR (RD7) and in the IID-A (RD1).

*

3.5.2.2 Interfaces necessary to support Bus-level FDIR

Reference **3305-DLL-D**

No specific RT interface is required to support MIL Bus FDIR. Only standard and mandatory features of the MIL-STD-1553B protocol are used.

For failure detection, the MIL Bus FDIR relies on nominal data traffic, and does not generate additional specific data traffic. Only for failure isolation a specific data traffic is generated.

*

Reference **3310-DLL-T**

The following bus FDIR error conditions shall be collected by the MIL Bus communication service in the BC :

- RT message error bit, (from RT MIL-STD-1553B Status Word)
- RT Busy bit, (from RT MIL-STD-1553B Status Word)

PSICD APPENDIX 9: SATELLITE DATA BUS PROTOCOL SPECIFICATION

REFERENCE : SCI-PT-ICD-07527 (App9)

DATE : 07-Nov-2003

ISSUE : 4.0

PAGE : 26/57

-
- RT subsystem flag bit, (from RT MIL-STD-1553B Status Word)
 - RT Terminal flag bit, (from RT MIL-STD-1553B Status Word)
 - RT transmission error, (from BC Bus I/F)
 - RT no response time-out, (from BC Bus I/F)
 - BC loop back test fail, (from BC Bus I/F)
-

*

3.5.2.3 Ground command interfaces for bus FDIR

Reference **3320-DLL-T**

The following MIL Bus FDIR related commands shall be provided for usage by ground/ mission control or for usage by on-board functional layers.

- Switch to bus medium A
 - Switch to bus medium B
 - Disable bus automatic reconfiguration function
 - Enable bus automatic reconfiguration function
-

*

Reference **3340-DLL-T**

The format of these commands is to be defined in the CDMU HW/SW ICD.

*

3.5.2.4 Functional Requirements of Bus-level FDIR

Reference **3345-DLL-T**

By default, the BC shall use bus medium A.

*

Reference **3350-DLL-T**

If the BC Bus FDIR isolates a failure on bus A, the whole MIL Bus traffic shall be reconfigured on bus B.

*

Reference **3355-DLL-T**

No automatic reconfiguration from bus B to bus A shall be implemented. In case a further failure occurs on bus B, no further autonomous recovery is triggered, and the traffic is maintained on bus B.

*

Reference **3360-DLL-T**

The BC shall provide the Bus A/B switch status to Ground/ Mission Control.

*

PSICD APPENDIX 9: SATELLITE DATA BUS PROTOCOL SPECIFICATION

REFERENCE : SCI-PT-ICD-07527 (App9)

DATE : 07-Nov-2003

ISSUE : 4.0

PAGE : 27/57

Reference **3365-DLL-T**

The isolation of the bus failure shall be an automatic procedure performed by the BC, sampling the status of bus B via dedicated asynchronous messages, while the main traffic remains on bus A. A bus failure is confirmed if bus B is sampled OK, while bus A is sampled as failed, see Figure 3.5.2.4-1 below.

*

Reference **3370-DLL-T**

If the bus channel A was used, and a bus error is detected, an automatic and global (for all messages exchanged with all RTs) switch to bus channel B is performed.

*

Reference **3375-DLL-T**

BC detected bus error condition for bus switch-over are :

- RT No response time out
- RT Transmission error
- BC Loop-back test error

Further details are given in SOFDIR Annex 1 (RD7) and IID-A (RD1).

*

Reference **3380-DLL-T**

This switch shall be effective within SOFDIR Annex 1 (RD7) defined delay.

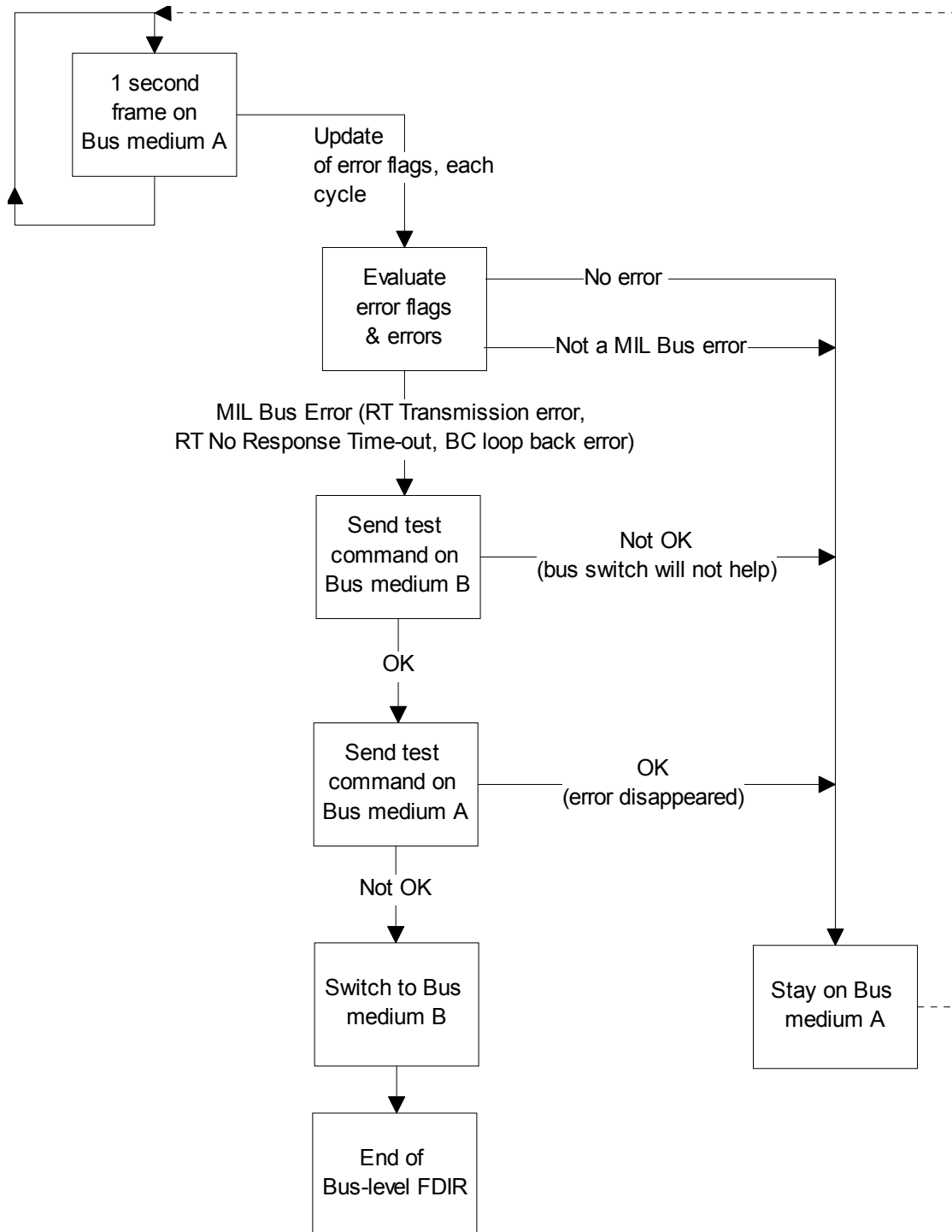


Figure 3.5.2.4-1 : Principle of MIL Bus failure isolation

*

3.5.2.5 Interface of Bus-level FDIR to Equipment FDIR

Reference **3385-DLL-T**

The BC shall support an I/F to system-level FDIR and/ or equipment FDIR.

*

Reference **3390-DLL-T**

The error conditions shall be reported to higher level FDIR, see Figure 3.5.2.5-1.

*

Reference **3395-DLL-R**

The RTs shall provide dedicated FDIR services in line with requirements of the SOFDIR (RD7) and IID-A (RD1).

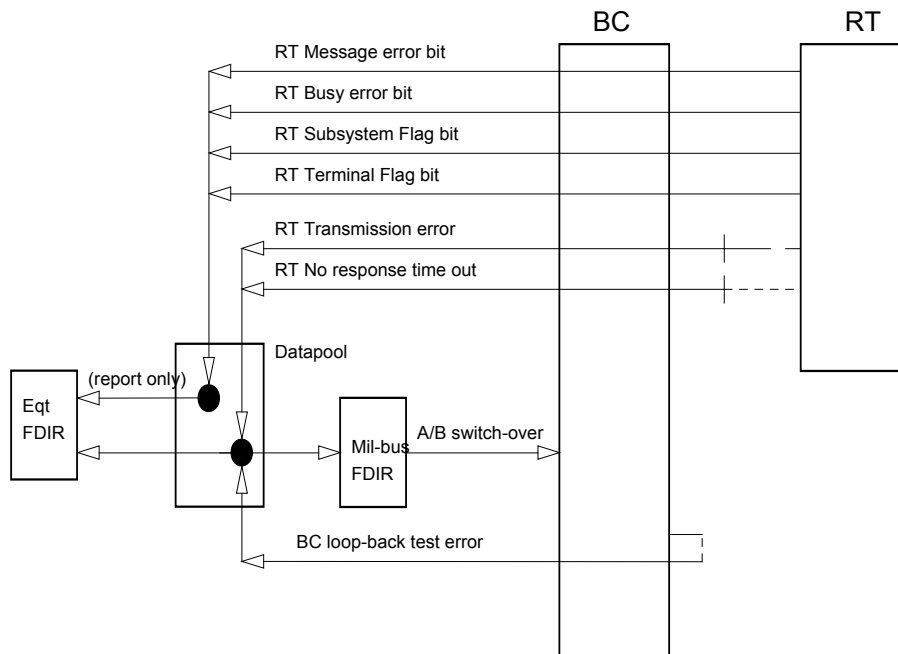


Figure 3.5.2.5-1 : MIL Bus FDIR concept.

*

4. TRANSFER LAYER

4.1 General Requirements

4.1.1 Functional and Performance Requirements

Reference **4005-TFL-R**

BC MIL-Bus messages and RT response messages shall be assigned to predefined time slots.

*

Reference **4010-TFL-T**

Maximum throughput for all users shall be at least 350 kbps on TM/TC packet level.

*

Reference **4015-TFL-T**

The minimum latency for a single user between the end of a packet transfer and the start of a new transfer of the same type (TM or TC) shall be 2,5 milliseconds.

*

Reference **4020-TFL-R**

The maximum size of TM-Packets shall be 1024 octets.

*

Reference **4025-TFL-R**

The maximum size of TC-Packets shall be 248 octets.

*

Reference **4030-TFL-T**

The BC and RT shall support the transfer of TM/TC-Packets with variable length.

*

Reference **4040-TFL-R**

One complete packet shall be exchanged with a user without interruptions for the user (RT).

*

Reference **4045-TFL-T**

The BC shall support each second the exchange of at least 50 TM-Packets.

*

PSICD APPENDIX 9: SATELLITE DATA BUS PROTOCOL SPECIFICATION

REFERENCE : SCI-PT-ICD-07527 (App9)

DATE : 07-Nov-2003

ISSUE : 4.0

PAGE : 31/57

Reference **4050-TFL-T**

The BC shall support each second the exchange of at least 12 TC-Packets.

*

Reference **4060-TFL-T**

The BC shall support each second the exchange of at least 1 time synchronization.

*

Reference **4065-TFL-T**

deleted

*

Reference **4070-TFL-T**

The accuracy for timing and synchronization across all on-board systems up to the data interface of users shall be better than 100 microseconds.

*

Reference **4075-TFL-T**

deleted.

*

Reference **4080-TFL-T**

deleted

*

Reference **4085-TFL-T**

Each on-board user shall be served in a periodic way for at least two times per second.

*

Reference **4090-TFL-N**

Note : The actual data traffic may be a combination of all data types described above.

*

4.1.2 Cyclic Transfer Protocol

Reference **4100-TFL-R**

The cyclic Satellite Data Bus Protocol (SDBP) shall have a deterministic, periodic structure, which is synchronized with the central on-board time, implemented in the CDMS.

*

PSICD APPENDIX 9: SATELLITE DATA BUS PROTOCOL SPECIFICATION

REFERENCE : SCI-PT-ICD-07527 (App9)

DATE : 07-Nov-2003

ISSUE : 4.0

PAGE : 32/57

Reference **4105-TFL-R**

The SDBP shall be based on a 1 second period called Frame. This Frame is divided into 64 Subframes, each containing a number of MIL STD 1553B messages. These messages shall occur in a Subframe within a defined timing structure called Message Slots.

*

Reference **4110-TFL-R**

The TM Packet transfer from a RT (Instrument) to the CDMU shall be Subframe allocated. This means that any Instrument TM Packet shall fit into the Subframe boundaries.

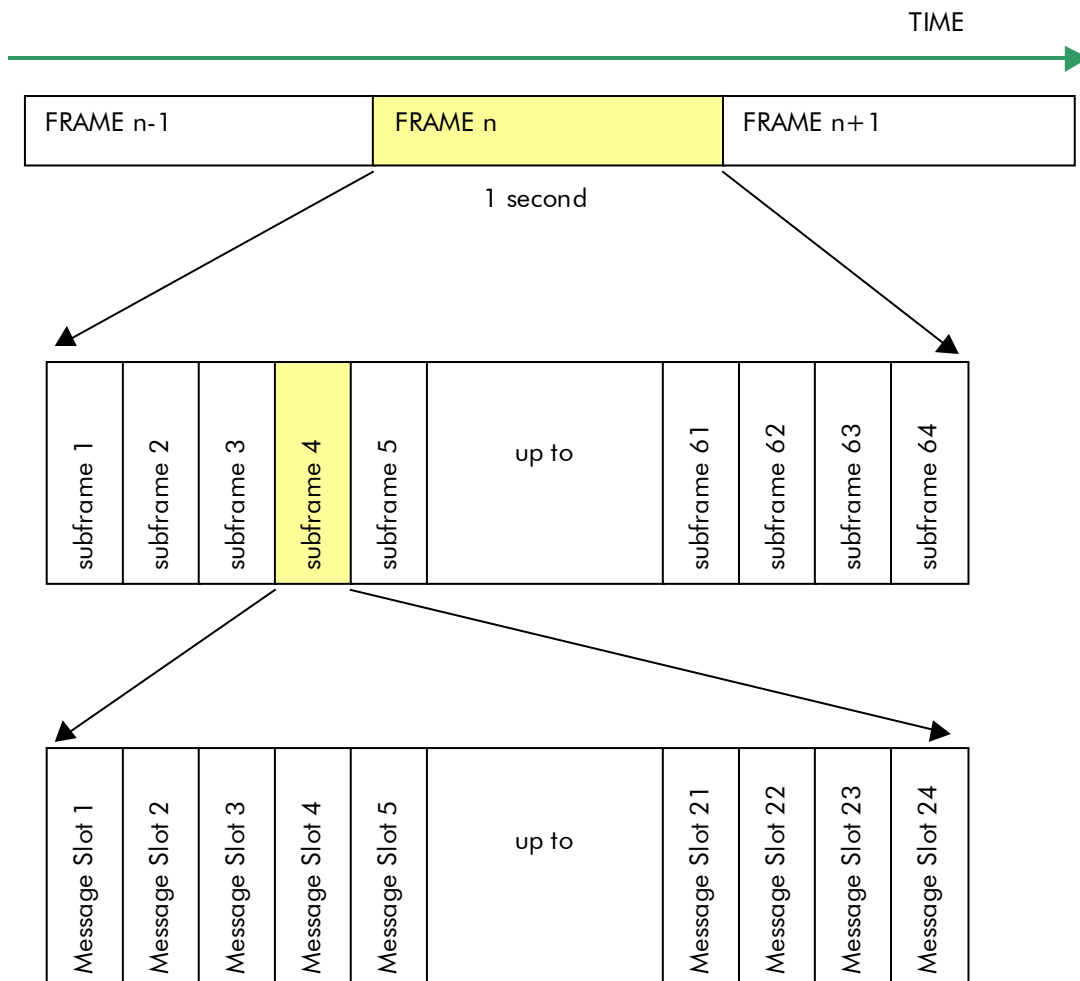


Figure 4.1.2-1 : Data Bus profile

Definition:

- 1 FRAME = 64 SUBFRAMES
- 1 SUBFRAME = 24 MESSAGE SLOTS

Duration:

- 1 FRAME = 1 second
- 1 SUBFRAME = 1/64 second
- 1 SLOT = see Table 4.1.3.1-1

*

4.1.3 Frame Timing

Reference **4120-TFL-R**

One second / one Frame shall be divided into 64 Subframes.

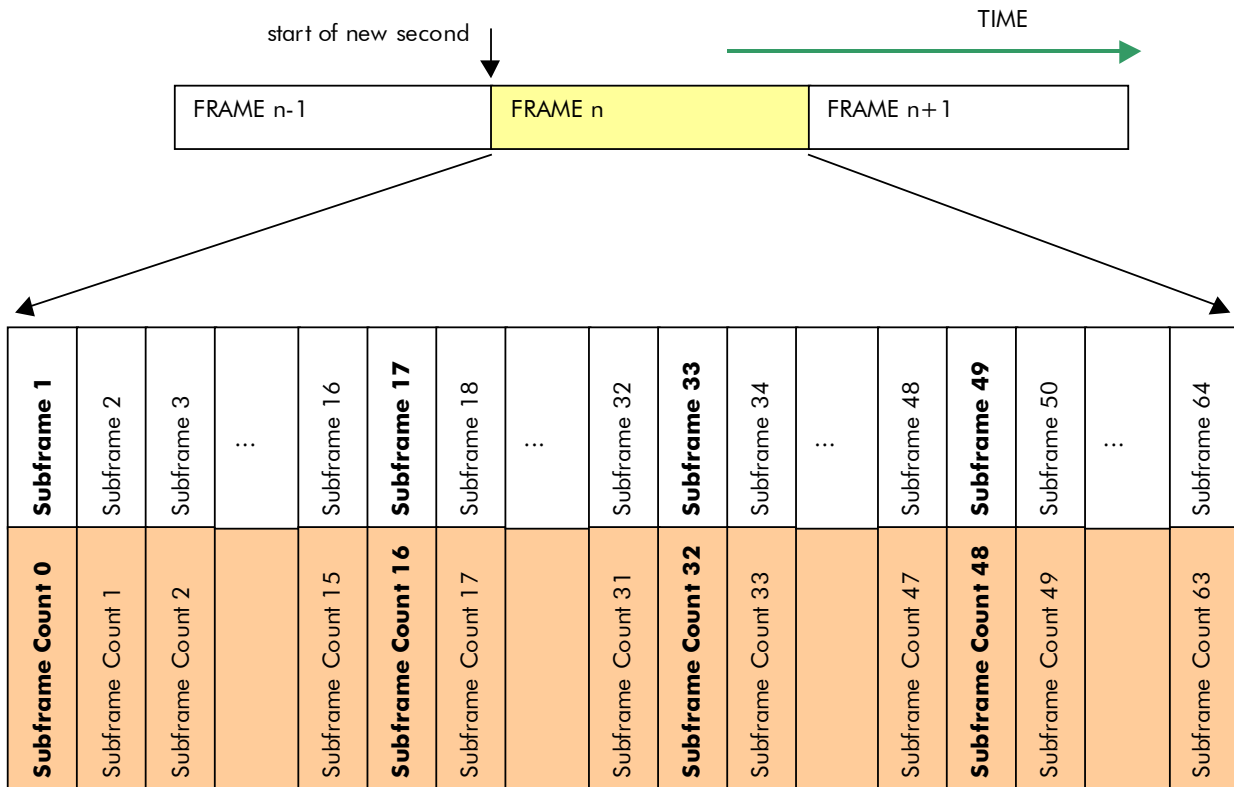


Figure 4.1.3-1 : Subframe and Subframe count

*

Reference **4125-TFL-R**

The first Subframe every second shall start with the Mode Command "Sync without Data word" in the first message slot.

*

Reference **4130-TFL-R**

This Subframe is reserved and no instrument TM data transfer is allowed (TC packets may be sent).

*

Reference **4135-TFL-N**

Note : This provides time for the instrument internal processes like clock (time) maintenance, etc.

PSICD APPENDIX 9: SATELLITE DATA BUS PROTOCOL SPECIFICATION

REFERENCE : SCI-PT-ICD-07527 (App9)

DATE : 07-Nov-2003

ISSUE : 4.0

PAGE : 34/57

Subframe	Subframe Count	Usage
1	0	First Subframe in the second, reserved for TC Packet transfer
2 to 16	1 to 15	TM Packet transfer (or TC Packet)
17	16	reserved for TC Packet transfer
18 to 32	17 to 31	TM Packet transfer (or TC Packet)
33	32	reserved for TC Packet transfer, Time information distribution
34 to 48	33 to 47	TM Packet transfer (or TC Packet)
49	48	reserved for TC Packet transfer
50 to 64	49 to 63	TM Packet transfer (or TC Packet)

Table 4.1.3-1 : Subframe Utilization

*

Reference **4140-TFL-R**

At least Subframes 1, 17, 33,49 shall be reserved for TC Packet transfer.

Note : If more TC Packets than can be routed during Subframes 1, 17, 33, 49 are needed in a certain operational phase, more than 4 Subframes can be allocated to TC Packet handling.

*

Reference **4145-TFL-T**

In Subframe 33 the time information shall be distributed.

*

Reference **4150-TFL-R**

The remaining Subframes (60 out of 64) shall be used for TM packet transfers (TC packets may be send also).

*

Reference **4155-TFL-R**

The Mode Command "Sync with Data word" is inserted into the first message slot of Subframes 2 to 64. Further details are specified in para. 4.2

*

PSICD APPENDIX 9: SATELLITE DATA BUS PROTOCOL SPECIFICATION

REFERENCE : SCI-PT-ICD-07527 (App9)

DATE : 07-Nov-2003

ISSUE : 4.0

PAGE : 35/57

4.1.3.1 Subframe Timing

Slot No.	Content/ Purpose	Duration in micro seconds
1	Subframe synchronization	150
2	Command/ Acquisition Slot	750
3	Command/ Acquisition Slot	750
4	Command/ Acquisition Slot	750
5	Data transfer, Most Significant Message	750
6	Data transfer	750
7	Data transfer	750
8	Data transfer	750
9	Data transfer	750
10	Data transfer	750
11	Data transfer	750
12	Data transfer	750
13	Data transfer	750
14	Data transfer	750
15	Data transfer	750
16	Data transfer	750
17	Data transfer	750
18	Data transfer	750
19	Data transfer	750
20	Data transfer	750
21	Packet control (e.g. polling)	150
22	Packet control	150
23	Packet control	150
24	Regulation Slot	≤ 775

Table 4.1.3.1-1 : Message Slot Allocation Table

Reference **4160-TFL-R**

Subframe synchronization : In the first Subframe every second the Mode Command Sync distributed as broadcast message will be used. In all other Subframes the broadcast message Mode Command Sync with Data Word will be utilized.

*

Reference **4165-TFL-R**

The Regulation Slot (slot No. 24) duration shall be adjusted in accordance to subframe message duration.

*

Reference **4170-TFL-T**

The BC shall support the Slot Allocation according to Table 4.1.3.1-1 with respect to their timing constrains.

PSICD APPENDIX 9: SATELLITE DATA BUS PROTOCOL SPECIFICATION

REFERENCE : SCI-PT-ICD-07527 (App9)

DATE : 07-Nov-2003

ISSUE : 4.0

PAGE : 36/57

For Packet-Terminals TM- or TC-Packet-data shall be transferred during message slots 5 to 20, as needed. For non-intelligent RTs data can be transferred with a message slot allocation similar to Packet-Terminals, and in addition in slots 2 to 4 and 21 to 23, as needed.

In a certain Subframe it shall be possible to exchange Messages with one or several RTs. This applies for TC-Packets and related handshake, handshake in conjunction with TM-Packets, and for non-intelligent RTs.

*

4.1.4 Data Transfer

4.1.4.1 General

Reference **4175-TFL-N**

The BC will be commanded by ground to activate one of several predefined fixed Bus Profiles. Each Bus Profile defines the function of all 64 Subframes, which belong to a cyclic 1 second frame. Each set-up is static for a longer period of time (typically for up to some hours). All instruments will be commanded independently into modes, in which they stay below their allocated maximum data rates.

*

Reference **4180-TFL-T**

The BC shall accept ground commands for activating, deactivating, and modifying predefined Bus Profiles for data transfer.

*

Reference **4185-TFL-T**

The BC shall support predefined Bus Profiles and shall use different Profiles without interruption of service.

*

Reference **4190-TFL-T**

The RT shall accept ground commands which will start predefined operational modes.

*

Reference **4195-TFL-T**

Each packet transfer is controlled by the exchange of a Packet Transfer Request/Descriptor and a Packet Transfer Confirmation, which are providing the necessary (handshake) information about the transfer.

*

Reference **4200-TFL-T**

At the latest with the receiving of a next Subframe Sync Message the RT shall check the status of the packet transfer, that has taken place in the previous Subframe.

*

If the packet transfer was performed, then the RT:

PSICD APPENDIX 9: SATELLITE DATA BUS PROTOCOL SPECIFICATION

REFERENCE : SCI-PT-ICD-07527 (App9)

DATE : 07-Nov-2003

ISSUE : 4.0

PAGE : 37/57

Reference **4205-TFL-T**

- shall update the TM packet data buffer within 2 msec.

*

Reference **4210-TFL-T**

- shall update the TM Packet Transfer Request Words within 2 msec.

*

Reference **4220-TFL-R**

Only one TM packet transfer from each RT at a time is allowed. If there is more than one packet to be send the RT shall queue the TM packets.

*

Reference **4225-TFL-T**

deleted

*

Reference **4230-TFL-R**

TM packets shall be transferred within one Subframe.

*

Reference **4235-TFL-R**

Transmission of multiple small TM Packets should be avoided and the RT should generate maximum length packets as much as possible for an optimised utilisation of allocated RT data rate.

*

4.1.4.2 Packet transfer control commands

Reference **4240-TFL-T**

The BC and RT shall support Packet Transfer Requests via SA 10T and Packet Transfer Descriptors via SA 27R.

*

Reference **4245-TFL-D**

For control purposes Packet Transfer Requests and Descriptors are introduced. Each of them consists out of two words.

Each sender, BC in case of TC packets or RT in case of TM packets, shall provide the following parameters with these words :

- The number of needed messages
- The number of words in the last message (equal to the word count pattern).

Details are defined in chapter 4.5 for TC Packet transfer and chapter 4.6 for TM Packet transfer.

*

Reference **4250-TFL-R**

Each receiver shall utilize this information to re- assemble the TM or TC packet.

*

4.2 Frame Synchronization by BC

Reference **4260-TFL-T**

In the first Subframe each second the BC shall issue the *Broadcast Mode Command Synchronize*, transmitted in the first message slot .

*

Reference **4265-TFL-T**

The BC shall issue in all other Subframes the *Broadcast Mode Command Synchronize with Data Word*, transmitted in the first message slot .

*

Reference **4270-TFL-T**

The distributed word formats shall be as shown below.

Broadcast Mode Command Synchronize	MIL BUS COMMAND	Sync	RT Address 11111	T/R 1	SA 00000	Mode code 00001	Parity
		Sync	RT Address 11111	T/R 0	SA 00000	Mode code 10001	Parity
Broadcast Mode Command Synchronize with Data Word	DATA WORD	Sync	Subframe User 5 bit	Reserved bits 5 bit	Subframe Count 6 bit	Parity	

Figure 4.2-1 : Subframe Synchronize messages

*

– Subframe User

Reference **4275-TFL-T**

In the Subframe User field the BC shall insert the RT address of the Remote Terminal, which is allowed to send its TM data contained in SA 11T to SA 26T.

*

Reference **4280-TFL-T**

If this Subframe is not allocated to an specific RT/ Instrument, the BC shall insert '00000'B in this field.

*

Reference **4285-TFL-T**

Any RT, which is not in Burst Mode, shall not interpret the field as a command or enable signal.

PSICD APPENDIX 9: SATELLITE DATA BUS PROTOCOL SPECIFICATION

REFERENCE : SCI-PT-ICD-07527 (App9)

DATE : 07-Nov-2003

ISSUE : 4.0

PAGE : 39/57

*

– Subframe Count field

Reference **4290-TFL-T**

In the Subframe Count field the BC shall transmit the Subframe Count value.

*

Reference **4295-TFL-T**

The RT shall support an internal Subframe Counter and shall provide the value for BC access, see chapter 4.4.

*

Reference **4300-TFL-T**

When receiving the first Subframe each second the Subframe Counter shall be set to 0 and the RT shall increment this value by one with every received Sync with Data Word command.

*

4.3 Time Synchronization

Reference **4305-TFL-T**

The BC shall provide system time information (Central Time Reference) via the MIL Bus.

*

Reference **4310-TFL-T**

The time information shall be a broadcast message send to SA 8R.

*

Reference **4315-TFL-R**

The layout of this message is shown in figure 4.3-1.

*

Reference **4320-TFL-T**

The BC shall send the time information in Subframe no. 33 (Subframe count : 32).

*

Reference **4325-TFL-T**

The value of the time information field shall be the time at the beginning of the next frame. Reference is the beginning of the Mode Command Synchronize of Subframe 1.

*

Reference **4330-TFL-T**

The relative accuracy of the time information shall be max. 100 microseconds with respect to the system time (CTR) of the BC.

PSICD APPENDIX 9: SATELLITE DATA BUS PROTOCOL SPECIFICATION

REFERENCE : SCI-PT-ICD-07527 (App9)

DATE : 07-Nov-2003

ISSUE : 4.0

PAGE : 40/57

*

Reference **4335-TFL-R**

The BC shall provide the Central Time Reference signal to an external test I/F for verification purpose.

*

Reference **4340-TFL-T**

The time format shall be CUC-TAI with Coarse Time (seconds) using 4 octets and two octets for Fine Time, see RD 3.

Bit # (Bit Position):

S	S	S	00	01	02	03	04	05	06	07	08	09	10	11	12	13	14	15	P
---	---	---	----	----	----	----	----	----	----	----	----	----	----	----	----	----	----	----	---

MIL 1553 B Command Word:

Sync	RT Address (= 31)	T/R = 0	Subaddress (= 8)	Data Word Count (= 4)	P
------	----------------------	------------	---------------------	--------------------------	---

Data Words:

	MSB	LSB	
Sync	reserved set to "0000 0000"	P-Field "0010 1110"	P
Sync	T-Field : Coarse Time (M S Byte)	T-Field : Coarse Time	P
Sync	T-Field : Coarse Time	T-Field : Coarse Time	P
Sync	T-Field : Fine Time	T-Field : Fine Time (L S Byte)	P

Figure 4.3-1: Time Distribution Broadcast Message

*

Reference **4345-TFL-T**

The RT shall copy the Time Message to SA 8T immediately after receiving the *Mode Command Synchronize* at the beginning of each Frame. In order to reflect subsecond-timing, further updates can be made in a user-specific way.

At initialisation, before receiving any valid Time Distribution Message, the RT shall set the buffer at SA 8T to zero.

*

4.4 Status Polling

Reference **4350-TFL-T**

The BC shall acquire the RT status data from SA 1T at least once in a second.

*

Reference **4355-TFL-T**

The RT shall provide its health status data and additional information.

*

Reference **4360-TFL-T**

The RT status information shall be available via SA 1T using the layout shown in figure 4.4-1 below.

*

PSICD APPENDIX 9: SATELLITE DATA BUS PROTOCOL SPECIFICATION

REFERENCE : SCI-PT-ICD-07527 (App9)

DATE : 07-Nov-2003

ISSUE : 4.0

PAGE : 41/57

Reference **4365-TFL-T**

SA 1R shall be available to receive RT Low Level Commands, see also 4490-TFL, (e.g. Start of BIT, Reset, etc.).

Bit # (Bit Position):

S	S	S	00	01	02	03	04	05	06	07	08	09	10	11	12	13	14	15	P
---	---	---	----	----	----	----	----	----	----	----	----	----	----	----	----	----	----	----	---

Data Words:

	MSB										LSB										
Sync	Reserved										Subframe count										P
Sync	BIT data										BIT data										P
Sync	TM Packet Transfer Confirmation																				P
Sync	Reserved										Invalid TM Subframe count										P
to										P
Sync	TBD										TBD										P

Figure 4.4-1 : RT Status Data Format.

*

– **First data word :**

Reference **4370-TFL-T**

- reserved bits : These bits shall be set to zero.

*

Reference **4375-TFL-T**

- Subframe count : Here the RT shall provide either :
 - a fixed pattern (in case of non-packet RTs)
 - or
 - a copy of the RT internal Subframe count value (used for intelligent RTs)

*

Reference **4385-TFL-T**

deleted

*

– **Second data word :**

Reference **4390-TFL-R**

In the second data word the RT shall provide :

- BIT information
- dynamic status (e.g. Watchdog)
- other health information

*

– **Third data word :**

Reference **4392-TFL-R**

In the third word the RT shall provide :

PSICD APPENDIX 9: SATELLITE DATA BUS PROTOCOL SPECIFICATION

REFERENCE : SCI-PT-ICD-07527 (App9)

DATE : 07-Nov-2003

ISSUE : 4.0

PAGE : 42/57

-
- RT shall provide either :
 - a fixed pattern (in case of non-packet RTs)or
 - Copy of the TM Packet Transfer Confirmation of the last invalid TM (used for intelligent RTs). Layout of the TM Packet Transfer Confirmation is given in Table 4.6.1.2-1.

*

- **Fourth data word :**

Reference **4393-TFL-T**

- reserved bits : These bits shall be set to zero.

*

Reference **4394-TFL-T**

- Subframe count : Here the RT shall provide either :
 - a fixed pattern (in case of non-packet RTs)or
 - a copy of the RT internal Subframe count value for the last invalid TM packet (used for intelligent RTs)

*

Reference **4395-TFL-T**

Further details of the layout shall be defined on a user-specific basis.

*

4.5 Telecommand Packet Delivery

4.5.1 Nominal TC Packet Delivery Mechanism (BC to RT)

Reference **4400-TFL-T**

The BC shall send in the same Subframe all messages belonging to a TC packet followed by the Packet Transfer Descriptor message.

*

Reference **4405-TFL-T**

For TC Packet Descriptor command word layout see table 4.5.1-1.

Note : To provide bus throughput capability there are at least 4 Subframes reserved for commanding.

*

Reference **4410-TFL-T**

The BC shall provide a circular TC Packet counter for command identification within the Transfer Layer.

PSICD APPENDIX 9: SATELLITE DATA BUS PROTOCOL SPECIFICATION

REFERENCE : SCI-PT-ICD-07527 (App9)

DATE : 07-Nov-2003

ISSUE : 4.0

PAGE : 43/57

*

Reference **4415-TFL-T**

The TC packet shall be send to TC Data receive SAs, beginning with SA 11R.

*

Reference **4420-TFL-T**

The Packet Transfer Descriptor shall be send to SA 27R.

*

Reference **4421-TFL-T**

1. Data word (Packet size)				2. Data word (Packet Control)		
(3 Bit)	(5 Bit)	(3 Bit)	(5 Bit)	(6 Bit)	(2 Bit)	(8 Bit)
Reserved '000'	No. of messages for TC-next packet	Reserved '000'	No. of Data Words in the last message of the TC- packet	Reserved, set to '00 0000'	set to '01'	Packet Count

Table 4.5.1-1 : Layout of the TC Packet Transfer Descriptor (BC to RT SA 27R)

- Reserved bits :
These bits are reserved for later use. The bits shall be set to zero.
- No. of messages for TC packet :
This data field indicates the number of messages needed for the packet the BC is intending to send. The first message of a TC Packet is always stored at SA 11T, in accordance to table 3.2.3-1 SA utilization table.
- No. of Data Words in the last message of the next TC Packe :
This data field indicates the number of data words transmitted in the last message. In case of 32 words this field is set to "00000"B.

Data packets always have a size of n x 16 Bit. As there shall be always an even number of octets no fill area is foreseen.

*

Reference **4425-TFL-T**

The RT shall evaluate the TC Packet Transfer Descriptor after receiving of the next Subframe Sync, within one Subframe.

*

Reference **4430-TFL-T**

The RT shall store the new TC packet immediately, within the Subframe, and copy the associated words of the Packet Transfer Descriptor to SA 27T, to become the TC Packet Confirmation. For the layout see table 4.5.1-2 below.

PSICD APPENDIX 9: SATELLITE DATA BUS PROTOCOL SPECIFICATION

REFERENCE : SCI-PT-ICD-07527 (App9)

DATE : 07-Nov-2003

ISSUE : 4.0

PAGE : 44/57

1. Data word (Packet size)				2. Data word (Packet Control)		
(3 Bit)	(5 Bit)	(3 Bit)	(5 Bit)	(6 Bit)	(2 Bit)	(8 Bit)
Reserved '000'	No. of messages of the last packet	Reserved '000'	No. Of Data Words in the last message of the last packet	Reserved, '00 0000'	Reserved '01'	Packet Count

Table 4.5.1-2 : Layout of the TC Packet Confirmation (from RT, SA 27T)

*

Reference **4435-TFL-N**

Figure 4.5.1-1 describes the main principles of RT behaviour for nominal data transfer. Details of bus FDIR are given in SOFDIR (RD7) and in IID-A (RD1).

*

Reference **4440-TFL-T**

The BC shall check the TC Packet Confirmation not earlier than 3 Subframes after a TC Packet has been sent to a certain RT. In case the reception of a TC Packet is not confirmed by a RT, the BC shall report immediately, within one Subframe, to the Transfer Layer FDIR.

Figure 4.5.1-1: Principle of RT behaviour for TC Packet transfer

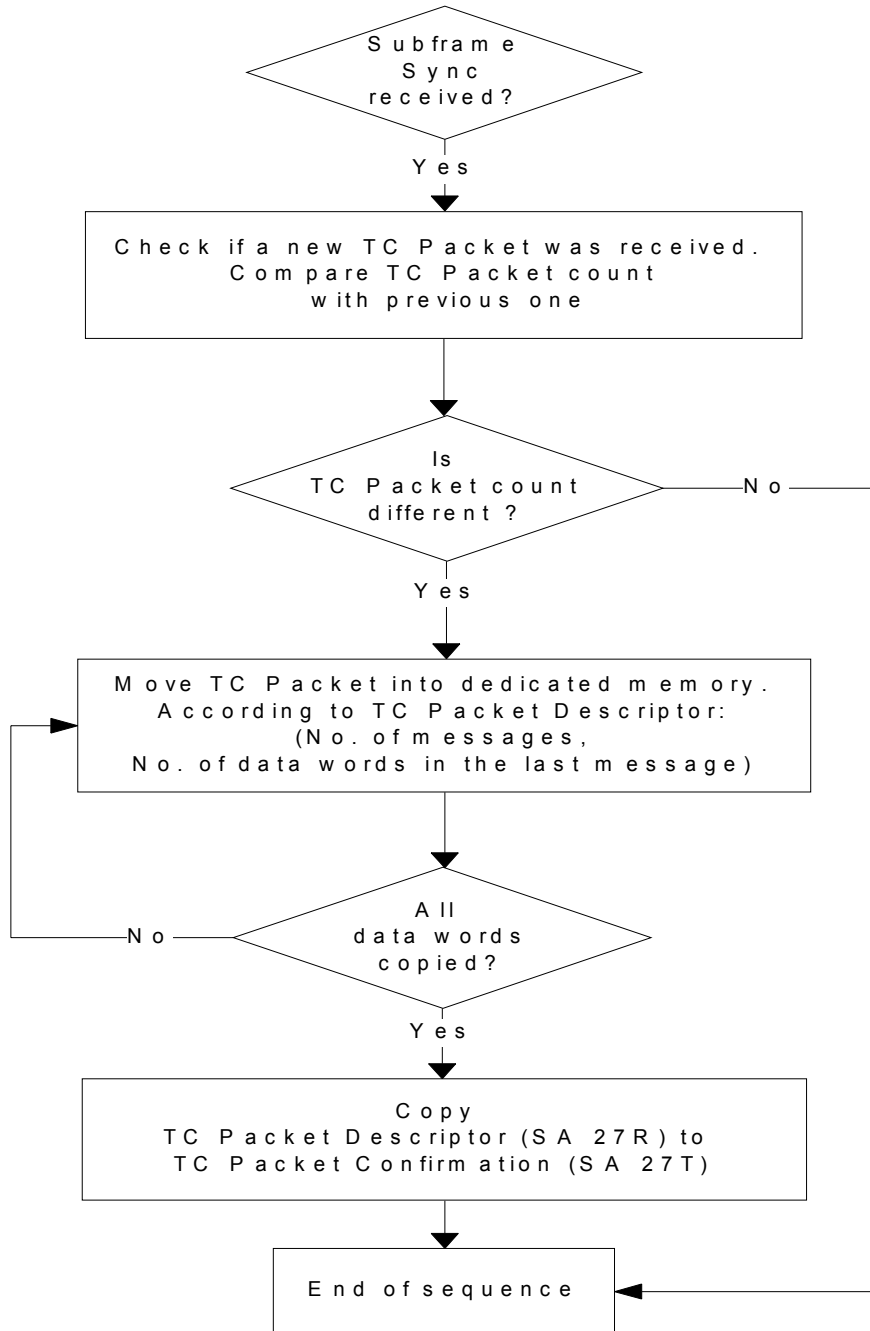


Figure 4.5.1-1: Principle of RT behaviour for TC Packet transfer

*

4.5.2 High-Priority TC Messages

Not used

PSICD APPENDIX 9: SATELLITE DATA BUS PROTOCOL SPECIFICATION

REFERENCE : SCI-PT-ICD-07527 (App9)

DATE : 07-Nov-2003

ISSUE : 4.0

PAGE : 46/57

Reference **4440-TFL-D**

deleted

*

Reference **4445-TFL-T**

deleted

*

Reference **4450-TFL-T**

deleted

*

Reference **4455-TFL-T**

deleted

*

Reference **4460-TFL-T**

deleted

*

Reference **4465-TFL-T**

deleted

*

Reference **4470-TFL-T**

deleted

*

Reference **4475-TFL-T**

deleted

*

4.5.3 Low level commanding

Reference **4480-TFL-T**

Sending of Low Level Commands to non-intelligent RTs shall be possible via a dedicated SA (Low Level Command SA 28R).

*

Reference **4485-TFL-T**

For low level command verification a separate Transmit SA (SA 28T) shall be supported.

PSICD APPENDIX 9: SATELLITE DATA BUS PROTOCOL SPECIFICATION

REFERENCE : SCI-PT-ICD-07527 (App9)

DATE : 07-Nov-2003

ISSUE : 4.0

PAGE : 47/57

*

Reference **4490-TFL-T**

Sending of Low Level Commands to RTs for Unit Control purpose shall be possible via SA 1R.

*

Reference **4495-TFL-T**

The BC shall support Low Level Commands according to the CDMU HW/SW ICD, RD 6.

*

4.6 Telemetry Packet Retrieval

4.6.1 Nominal TM Packets

4.6.1.1 RT TM Packet Transfer Request

Reference **4500-TFL-T**

The RT shall request a TM packet transfer (RT to BC) by setting its TM Packet Transfer Request control words (SA 10T).

1. Data word (Packet size)				2. Data word (Packet Control, Event handling)				
(3 Bit)	(5 Bit)	(3 Bit)	(5 Bit)	(2 Bit)	(1 Bit)	(2 Bit)	(3 Bit)	(8 Bit)
Reserved '000'	No. of messages for next packet	Reserved '000'	No. of Data Words in the last message of next packet	Reserved '00'	Burst Mode	Flow control	Reserved '000'	Packet Count

Table 4.6.1.1-1 : Layout of the Packet Transfer Request

*

- Reserved bits

Reference **4505-TFL-T**

These bits are reserved for later use. The bits shall be set to zero.

*

- **No. of messages for next packet**

Reference **4510-TFL-T**

This data field indicates the number of messages needed for the packet the RT is intending to send in the next Subframe. The first message of a TM Packet is always stored at SA 11T.

In accordance to table 3.2.3-1 SA utilization table.

*

PSICD APPENDIX 9: SATELLITE DATA BUS PROTOCOL SPECIFICATION

REFERENCE : SCI-PT-ICD-07527 (App9)

DATE : 07-Nov-2003

ISSUE : 4.0

PAGE : 48/57

– No. of Data Words in the last message of the next TM Packet

Reference **4515-TFL-T**

This data field indicates the number of data words transmitted in the last message. In case of 32 words this field is set to "00000"B.

*

Reference **4520-TFL-D**

Data packets always have a size of n x 16 Bit. Because they are build out of a even number of bytes there is no fill area foreseen.

*

Reference **4525-TFL-T**

deleted

*

Reference **4530-TFL-T**

deleted

*

Reference **4535-TFL-T**

deleted

*

Reference **4540-TFL-T**

deleted

*

– Burst Mode

Reference **4545-TFL-T**

0 - Nominal Mode

*

Reference **4550-TFL-T**

1 - Burst Mode

*

– Flow control

Meaning of Flow Control pattern :

Reference **4555-TFL-T**

00 - No transfer pending

PSICD APPENDIX 9: SATELLITE DATA BUS PROTOCOL SPECIFICATION

REFERENCE : SCI-PT-ICD-07527 (App9)

DATE : 07-Nov-2003

ISSUE : 4.0

PAGE : 49/57

*

Reference **4560-TFL-T**

01 - Transfer is pending

*

Reference **4565-TFL-T**

10 - reserved

*

Reference **4570-TFL-T**

11 - Transfer is finished (this pattern is used by BC only)

*

Reference **4572-TFL-T**

The RT shall set the Flow Control field according to the status of TM transfers immediately (i.e. within 2 ms after the beginning of a Subframe).

*

– Packet Count

Reference **4575-TFL-D**

This field is used to support a RT-generated counter. By using a counter, which is incremented with every new request, and which is returned to the RT after a successful transfer, the RT is able to detect the completion of a specific TM packet transfer, even if successive packets are identical in size.

To avoid that after an RT initialisation or reset an identical packet number will be used, there is one number foreseen for that case. This number does never appear in the cyclical transmission, it is skipped in the normal sequence.

*

Reference **4580-TFL-T**

No check on (the completeness of) the sequence will be performed by the BC depending on the Packet Count value.

*

Reference **4585-TFL-T**

The RT shall support a circular Packet Counter (increment counter).

*

Reference **4590-TFL-T**

The allowed range during nominal operation is 1 to 255 decimal.

*

PSICD APPENDIX 9: SATELLITE DATA BUS PROTOCOL SPECIFICATION

REFERENCE : SCI-PT-ICD-07527 (App9)

DATE : 07-Nov-2003

ISSUE : 4.0

PAGE : 50/57

Reference **4595-TFL-T**

After initialization or restart the RT shall set the counter value to 0 for the first TM Packet Transfer.

*

Reference **4600-TFL-R**

The RT is not allowed to use this counter for any other purpose than defined in this chapter (Packet Counter).

*

Reference **4605-TFL-T**

The BC shall identify a new TM Packet Transfer Request by comparing the Packet Counter value with the previous one.

*

Reference **4610-TFL-T**

If these values are identical the BC shall ignore the request, except if a retry attempt is made (i.e. the BC has declared a last TM-packet transfer failed and the same TM-packet is acquired a second time).

*

4.6.1.2 TM Packet Confirmation from the BC

Reference **4625-TFL-D**

The RT, which has requested a TM packet transfer, must be able to determine, if the packet transfer was performed and the next packet data can be loaded to the message buffers. After a successful packet transfer the BC sends a handshake signal to the sending RT (TM Packet Confirmation). This handshake informs the RT which packet was the last one transmitted, by returning a modification of the Packet Transfer Request including the last Packet Count value and a transfer status.

*

Reference **4630-TFL-T**

The BC shall support a TM packet transfer handshake by using the TM Packet Transfer Confirmation.

*

Reference **4635-TFL-T**

The BC shall send this Command to SA 10R.

*

Reference **4640-TFL-T**

The layout is shown in the table 4.6.1.2-1, see below.

*

Reference **4645-TFL-T**

The BC shall send the TM Packet Confirmation in the same Subframe in which the TM Packet transfer was performed.

PSICD APPENDIX 9: SATELLITE DATA BUS PROTOCOL SPECIFICATION

REFERENCE : SCI-PT-ICD-07527 (App9)

DATE : 07-Nov-2003

ISSUE : 4.0

PAGE : 51/57

1. Data word (Packet size)				2. Data word (Packet Control)					
(3 Bit)	(5 Bit)	(3 Bit)	(5 Bit)	(1 Bit)	(1 Bit)	(1 Bit)	(2 Bit)	(3 Bit)	(8 Bit)
Reserved '000'	No. of messages of the last TM packet	Reserved '000'	No. of Data Words in the last message of the last packet	Reserved '0'	Reserved '0'	Burst Mode	Flow control	Reserved '000'	Packet Count

Table 4.6.1.2-1 : Layout of the TM Packet Transfer Confirmation

*

Reference **4650-TFL-D**

The first data word is a duplication of the first Packet Transfer Request control word acquired from the RT :
The second data word shall contain all necessary information for the handshake purpose :

*

– **Packet Count**

Reference **4655-TFL-T**

This field shall be identical to the packet count field of the TM packet which was acquired.last.

*

Reference **4660-TFL-R**

The packet count value itself is with no further meaning.

*

– **Flow control**

Reference **4665-TFL-T**

After a successful transfer the Flow Control is set by the BC to :11 - Meaning of Flow Control pattern : Transfer is finished.

*

Reference **4670-TFL-D**

deleted

*

Reference **4675-TFL-N**

Figure 4.6.1.2-1 illustrates the main principles of logical flow of BC Sequence behaviour for nominal data transfer. Details of bus FDIR are given in SOFDIR (RD7) and in IID-A (RD1).

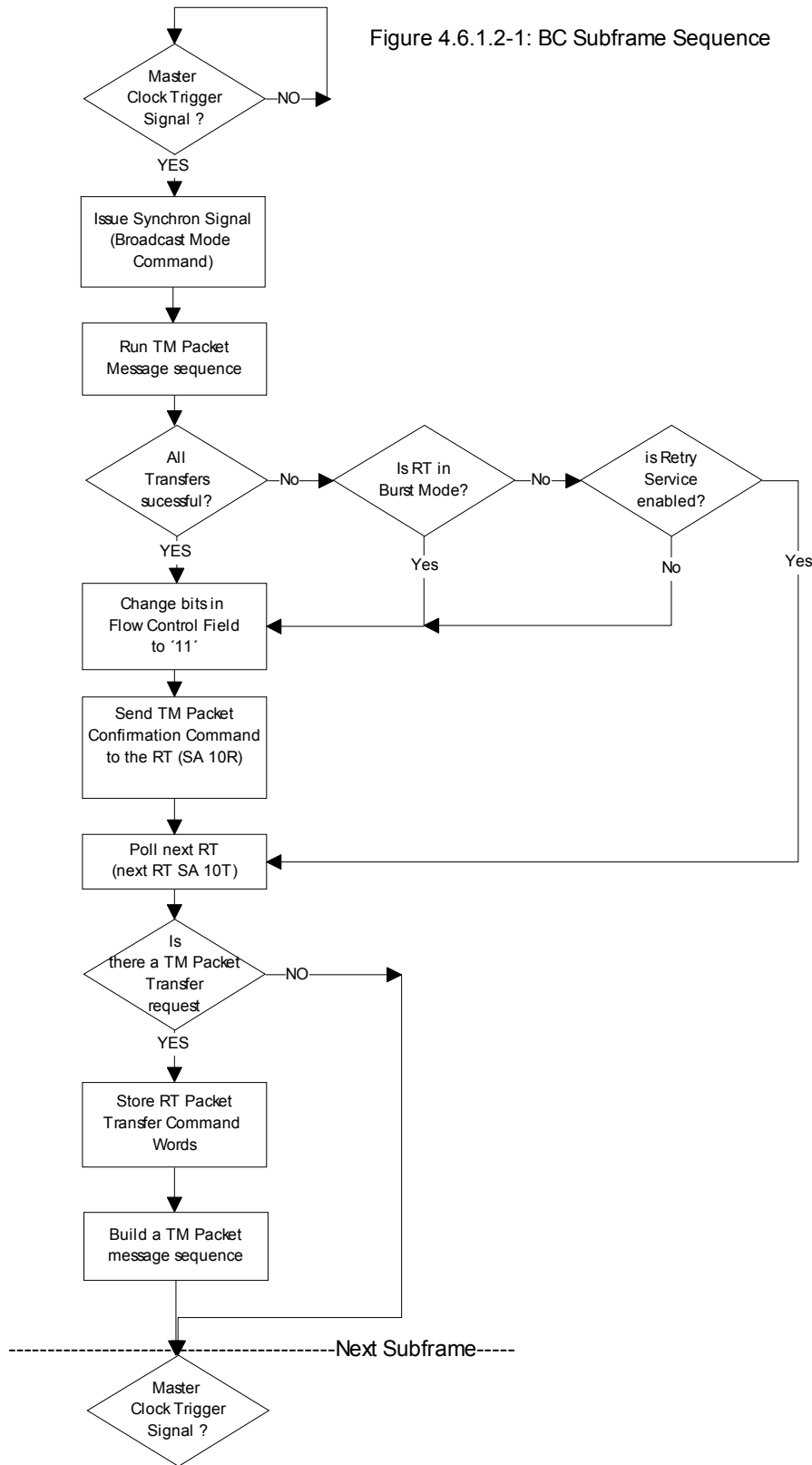


Figure 4.6.1.2-1: BC Subframe Sequence

4.6.1.3 TM Packet Transfer mechanism

Reference **4685-TFL-T**

– Initialization

After the BC has been commanded by ground to execute a predefined bus traffic profile (or the BC makes use of a default profile after initialisation/ reset) it shall start the polling of the RTs.

The RT shall request a TM packet transfer (RT to BC) by setting its TM Packet transfer control words (SA 10 Transmit).

At least one Subframe before the next scheduled TM packet transfer for a certain RT, the BC shall poll the RT for a need of transfer. This will be done by reading the RT TM Packet Transfer Request words from SA 10T.

*

4.6.1.4 Normal Data Bus Mode

Reference **4690-TFL-T**

– Packet Delivery

If there was a packet transfer request, the BC shall acquire this TM Packet within the next Subframes by using as many transmit message commands as requested by the RT.

After the valid transmission (no error occurred) the BC sends the Transfer Confirmation message to the RT within that Subframe, see chapter 4.6.1.2 .

After the occurrence of a transmission error for any message involved in the transfer (request, packet, and confirmation) the transfer shall be declared unsuccessful, the TM-packet shall be discarded, no TM Transfer Confirmation is sent, and one retry shall be conducted in one of the next Subframes.

The RT shall check the content of the Confirmation message at the latest after receiving of the next *Mode Command Synchronize*. If the transfer is confirmed by the BC, the RT shall modify the TM Transfer Request according to the current status. It shall also prepare the next data packet transfer, if new data are available. No further transfer of a TM-packet from the RT will occur in this Subframe in Normal Data Bus Mode.

If a new TM packet shall be sent (in any Subframe), the RT shall load the new TM Packet Data and the new TM Packet Request Command within 2 msec after beginning of the Subframe.

Figure 4.6.1.3-1 illustrates the logical flow of RT Sequence behavior.

*

Reference **4695-TFL-T**

– End of Transfer

In case there is no new TM packet pending the RT shall set the first word of the TM Packet Transfer Request to '0000 0000'B, and the Packet Count value of the second word shall stay unchanged.

The Flow Control field bits shall be set to '00'.

*

4.6.1.4.1 Burst Data Bus Mode

Reference **4700-TFL-T**

- Burst Data Bus Mode Initialization :

Burst Data Bus Mode is used in the case that the needed data throughput for one RT is so high that several consecutive Subframes have to be used to acquire the TM Packet data from this RT.

After receiving the corresponding Telecommand the BC changes to a Bus Profile, with which data from one RT can be transferred in Burst Mode (while data from all other RTs are acquired as in Normal Data Bus Mode). Independently, the Burst-Mode –RT may be commanded into a configuration, in which TM-packets are generated at high rate in line with allocations.

*

Reference **4720-TFL-T**

- Burst Data Bus Mode Packet Delivery :

The RT in Burst Mode shall use fixed TM Packet sizes for Science TM-packets.

The Science TM-packets shall have their maximum size of 1024 octets.

The Burst Mode shall be indicated by the RT by setting the bit in the Burst Mode Field of the TM Packet Transfer Request Words (see chapter 4.6).

After the BC has acquired the RT's TM Packet Transfer Request message, the BC shall acquire in one of the following Subframes the TM Packet (SA 11T to SA 26T), and shall send TM Packet Transfer Confirmation Command words belonging to this TM Packet to SA 10R.

The BC shall perform the polling of the RT in burst mode by reading the RT TM Packet Transfer Request Words (SA 10T) immediately after the acquisition and confirmation of the last TM Packet.

The BC shall not check the validity of a last packet transfer and shall not support any retry on packet level.

In the Burst Mode the RT shall provide an update of the TM Packet Transfer Request (SA 10T) and the TM Packet Transfer messages (SA 11T to SA 26T) according to following timing :

- In the Burst Mode the TM Packet Transfer Request, SA 10T, is updated either after :
 - The Subframe has started and the RT address of the RT in Burst Mode was transmitted in the Data word of the Synchronization message
or after
 - The requested TM Packet Transfer has actually started in this Subframe. This is detected by the BC-access to SA 11T.
- In the Burst Mode the TM Packet output buffers (SA 11T to SA 26T) shall be updated either after
 - Receiving of the BC TM Packet Transfer Confirmation message (SA 10R)
or after
 - The next Subframe is started and the RT address of the RT in Burst Mode was transmitted within the Synchronization message within 2 msec after beginning of the Subframe.

*

Reference **4740-TFL-T**

- End of Transfer :

PSICD APPENDIX 9: SATELLITE DATA BUS PROTOCOL SPECIFICATION

REFERENCE : SCI-PT-ICD-07527 (App9)

DATE : 07-Nov-2003

ISSUE : 4.0

PAGE : 55/57

In case there is no new TM packet pending in Burst Data Bus Mode the RT shall indicate End of Transfer as in Normal Data Bus Mode.

*

4.6.2 High Priority TM Messages

Not used

Reference **4800-TFL-D**

deleted

*

Reference **4805-TFL-T**

deleted

*

Reference **4810-TFL-T**

deleted

*

Reference **4815-TFL-T**

deleted

*

Reference **4820-TFL-T**

deleted

*

Reference **4830-TFL-T**

deleted

*

Reference **4835-TFL-R**

deleted

*

Reference **4840-TFL-T**

deleted

*

Reference **4845-TFL-R**

deleted

PSICD APPENDIX 9: SATELLITE DATA BUS PROTOCOL SPECIFICATION

REFERENCE : SCI-PT-ICD-07527 (App9)

DATE : 07-Nov-2003

ISSUE : 4.0

PAGE : 56/57

*

Reference **4850-TFL-R**

deleted

*

Reference **4855-TFL-R**

deleted

*

Reference **4860-TFL-T**

deleted

*

Reference **4865-TFL-N**

deleted

*

4.7 Transfer Layer FDIR

Reference **4900-TFL-T**

The BC shall generate an error report to higher protocol layers for any error detected at message-level.

*

Reference **4904-TFL-T**

If in case of a retry no success is achieved, the BC shall declare the whole transfer (incl. handshake messages) failed at Transfer Layer, with corresponding reporting.

*

Reference **4905-TFL-T**

Further details, because of their dependence on details of CDMS-design are to be included in a dedicated CDMU FDIR Spec., RD 7 and/or CDMU HW/ SW ICD, RD 6.

*

4.8 Data Rate Monitoring

Reference **4910-TFL-T**

The BC bus protocol layers shall provide information to the higher application layers of the BC about the amount of acquired TM data per RT and per second.

*

PSICD APPENDIX 9: SATELLITE DATA BUS PROTOCOL SPECIFICATION

REFERENCE : SCI-PT-ICD-07527 (App9)

DATE : 07-Nov-2003

ISSUE : 4.0

PAGE : 57/57

Reference **4915-TFL-N**

Further details, because of their dependence on details of CDMS-design are to be included in a dedicated CDMU HW/SW ICD, RD 6.

*

- End of Document -